

# PPUH AUTO-HAK Sp.J.

Henryk i Zbigniew Nejman  
ul. Słoneczna 16K 76-200 SŁUPSK  
POLAND

tel/fax +48 59 8 414 414; +48 59 8 414 413

e-mail: [office@autohak.com.pl](mailto:office@autohak.com.pl)

[www.autohak.com.pl](http://www.autohak.com.pl)



# AUTO-HAK



**VOLVO XC 70, SUV**

Cat. no:

**L24A**



**09.2007 →**

**e20**

**e20\*94/20\*1467\*00**

**D**

**11,0 kN**



**2h**



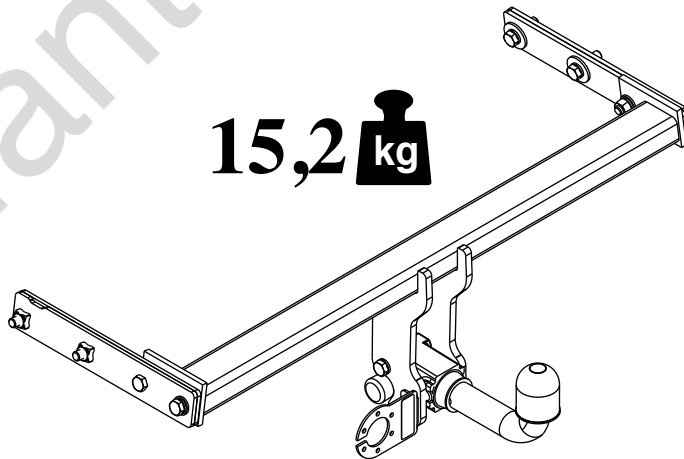
**R=2100 kg**



**S=90 kg**



**15,2 kg**



**M6 - 11 Nm**  
**M10 - 50 Nm**  
**M14 - 138 Nm**

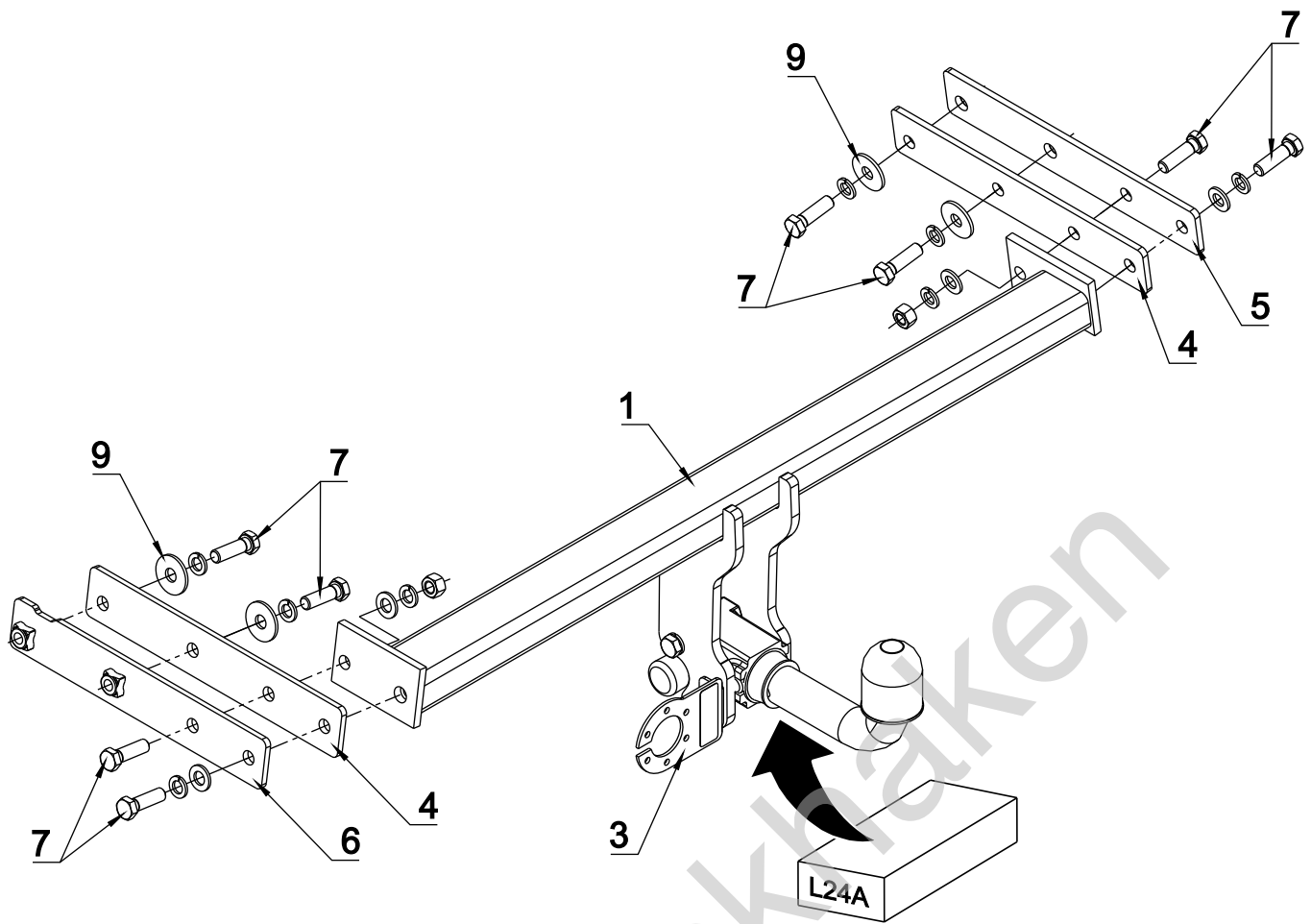
**M8 - 25 Nm**  
**M12 - 87 Nm**  
**M16 - 210 Nm**

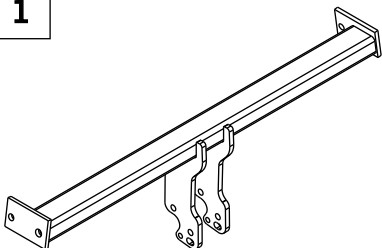
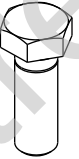
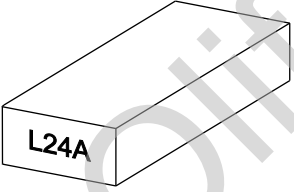
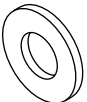
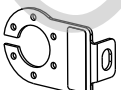

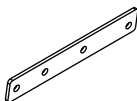

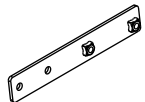
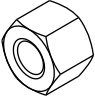
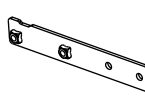


**0 km →**



**1000 km**



	x1		7 M12x40	x8
	x1		8 $\phi$ 13	x4
	x1		9 $\phi$ 37x $\phi$ 13x3 13 wg DIN 9021	x4
	x2		10 $\phi$ 12.2	x8
	x1		11 M12	x2
	x1			

