

# PPUH AUTO-HAK Sp.J.

Henryk i Zbigniew Nejman  
ul. Słoneczna 16K 76-200 SŁUPSK  
POLAND

tel/fax +48 59 8 414 414; +48 59 8 414 413

e-mail: [office@autohak.com.pl](mailto:office@autohak.com.pl)

[www.autohak.com.pl](http://www.autohak.com.pl)



# AUTO-HAK



**VOLVO V40, 5D  
CROSS COUNTRY**

Cat. no:

**L27A**



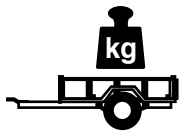
**10.2012 →**



**E20-55R-01 4930**



**9,80 kN**



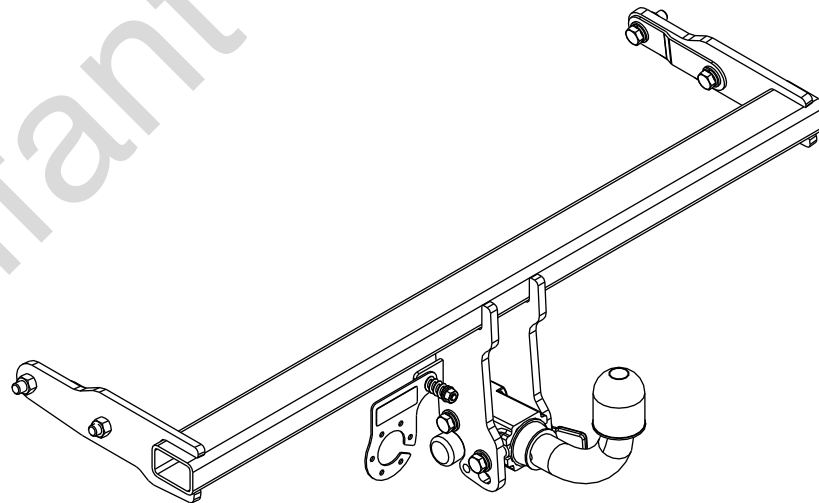
**R=1500 kg**



**S=75 kg**



**2h**



**M6 - 8,5 Nm**  
**M10 - 41 Nm**  
**M14 - 112 Nm**

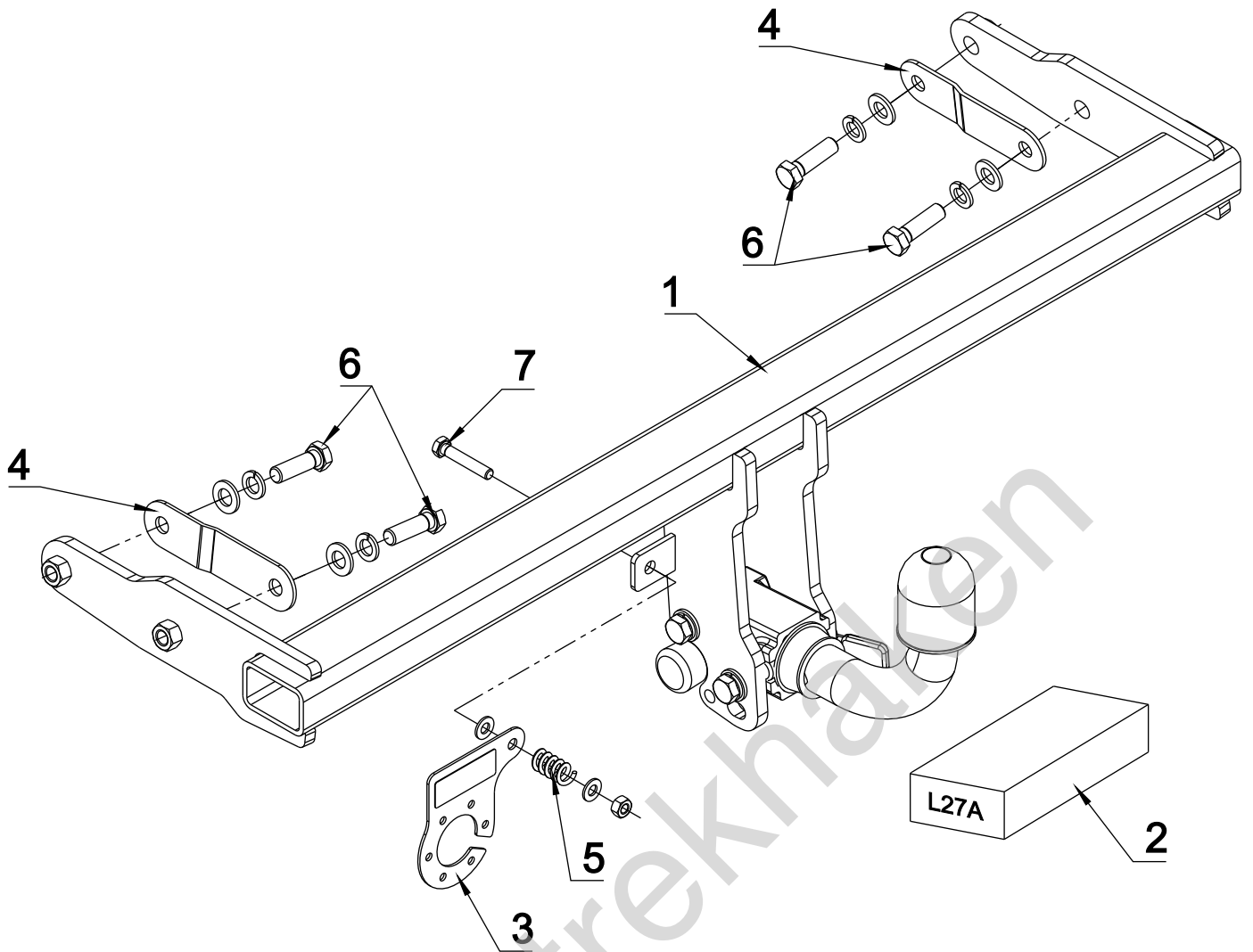
**M8 - 20 Nm**  
**M12 - 70 Nm**  
**M16 - 170 Nm**

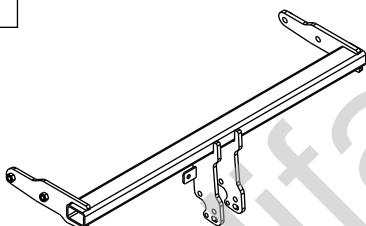
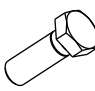


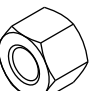

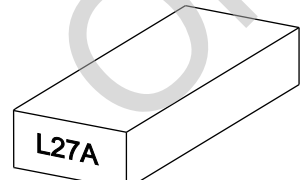
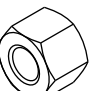
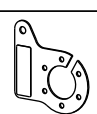
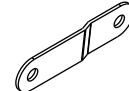
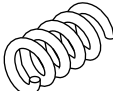


**0 km →**



**1000 km**



<b>1</b> 	<b>x1</b>  Art.nr-KL1L27A		<b>6</b> M12x40	<b>x4</b>
			<b>7</b> M8x45	<b>x1</b>
			<b>8</b> $\varnothing$ 13	<b>x4</b>
			<b>9</b> $\varnothing$ 8.5	<b>x2</b>
			<b>10</b> $\varnothing$ 12.2	<b>x4</b>
<b>2</b> 	<b>x1</b>  Art.nr-KL1L27A		<b>11</b> M8	<b>x1</b>
<b>3</b> 	<b>x1</b>  Art.nr-BL1L27A			
<b>4</b> 	<b>x2</b>			
<b>5</b> 	<b>x1</b>			

