

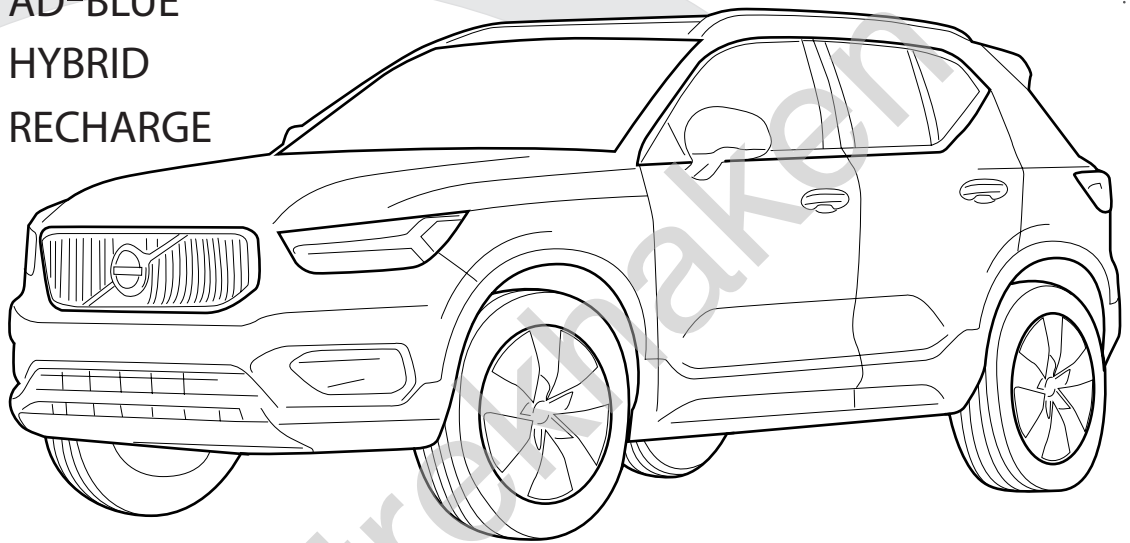


Volvo XC40 (type 536)

10/'17-



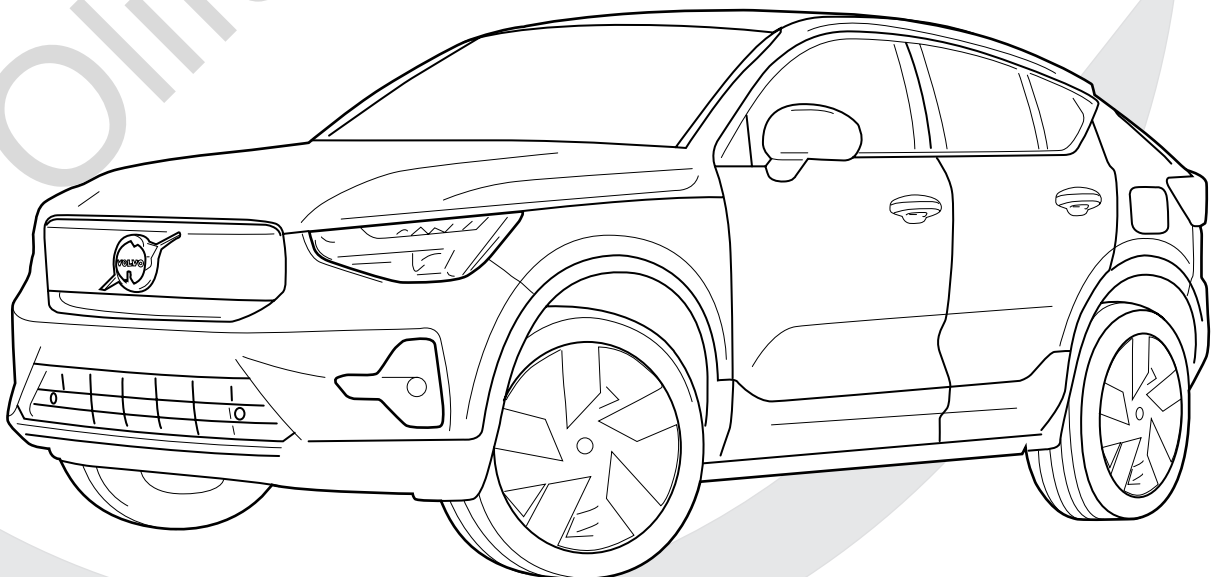
- ✓ STANDARD
- ✓ MOMENTUM
- ✓ R-DESIGN
- ✓ INSCRIPTION
- ✓ AD-BLUE
- ✓ HYBRID
- ✓ RECHARGE

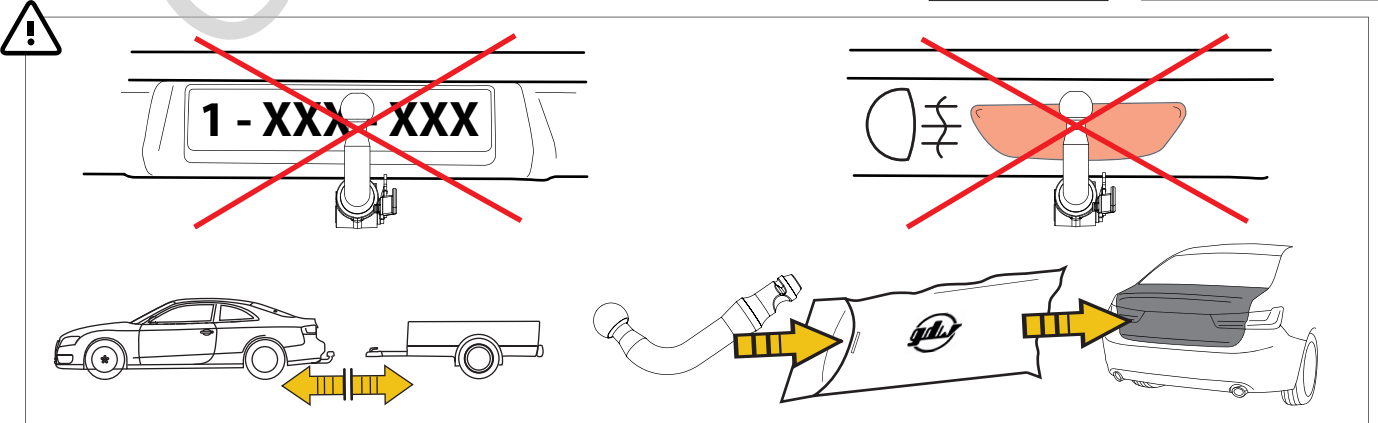
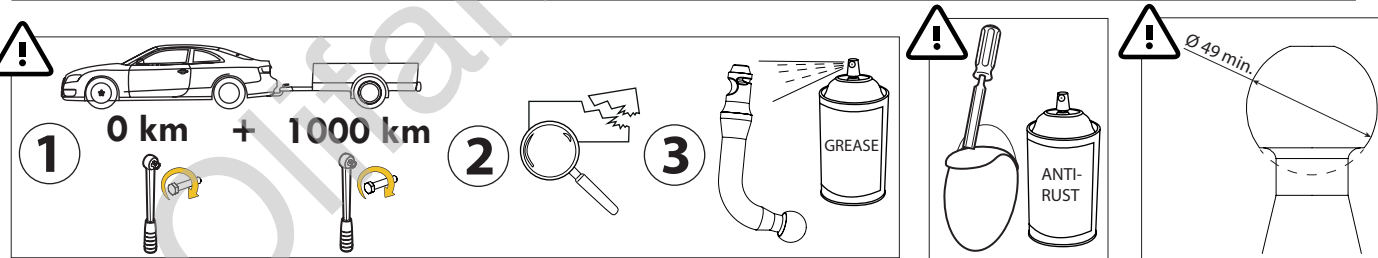
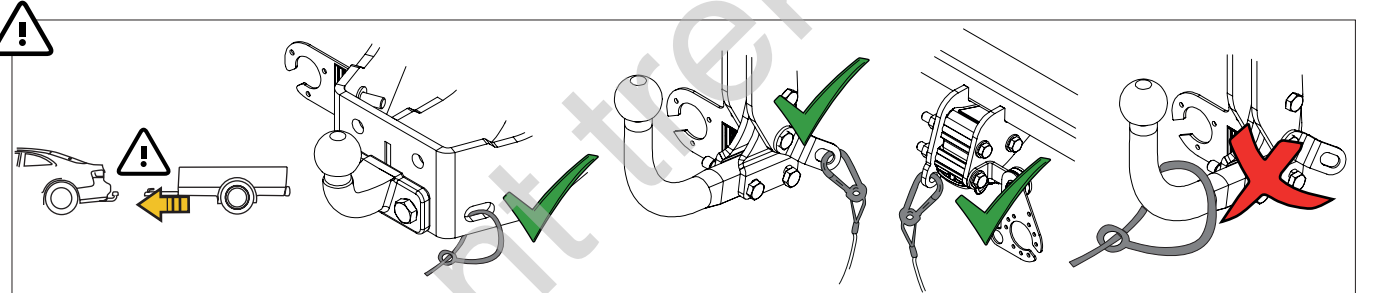
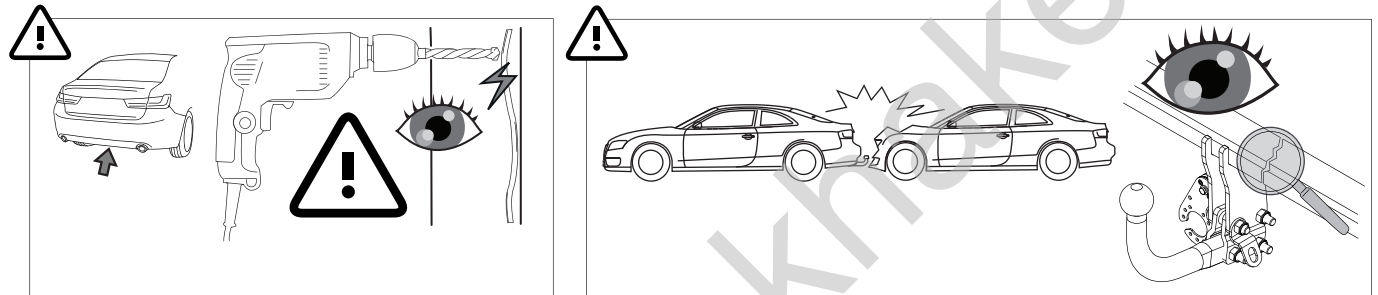
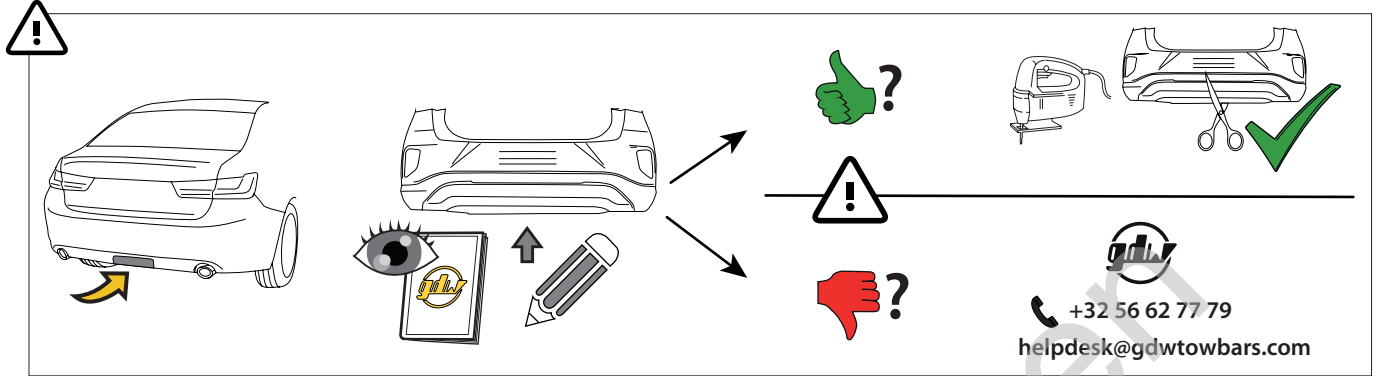
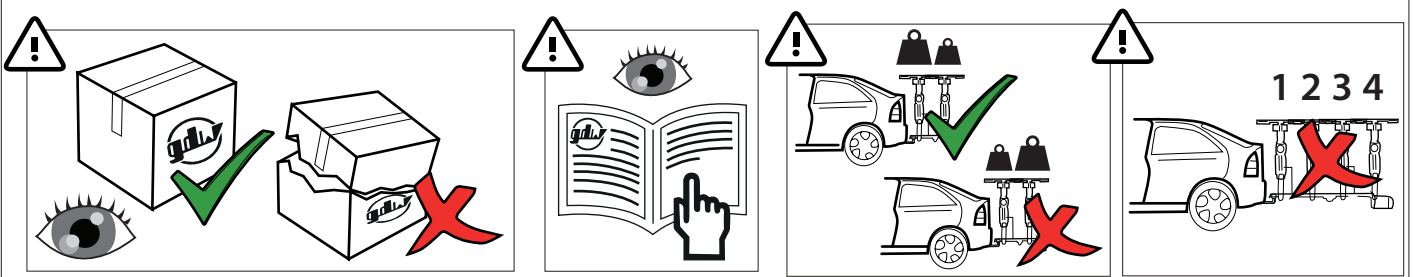


Volvo C40 EV (type 539)

10/'21-

- ✓ STANDARD
- ✓ VEHICLES WITH KICK SENSOR





MADE BY



D 11,50

F

EC-N°

E6

BELGIUM

S 120

55R-02 1456

REF N°

2296T60

SERIAL N°

XXXX

DESCRIPTION

Volvo XC40 10/'17- & Volvo C40 10/'21-



$$D = \frac{\text{max kg (car)} \times \text{max kg (trailer)}}{\text{max kg (car)} + \text{max kg (trailer)}} \times 0.00981 \leq 11,50 \text{ kN}$$

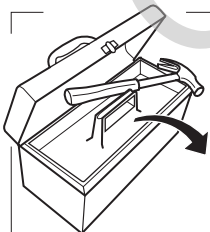
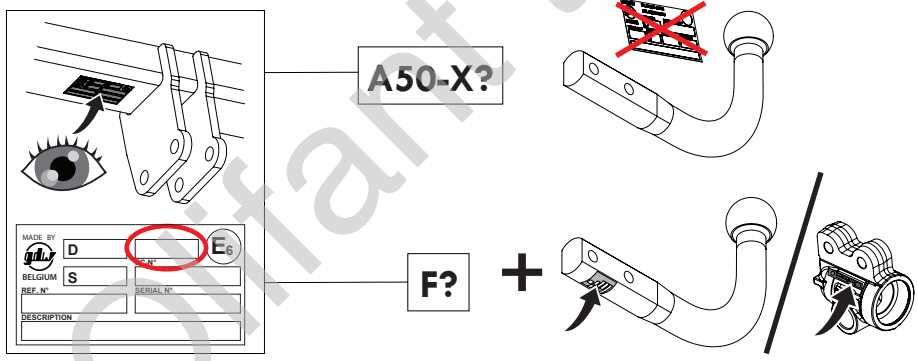
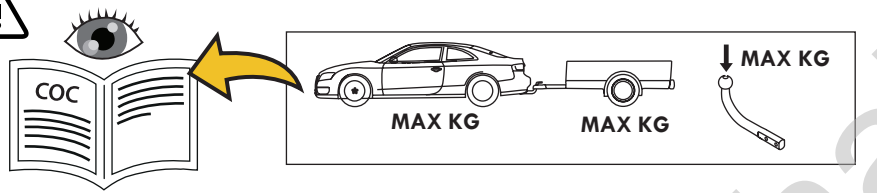
$$S = \begin{cases} \leq 120 \text{ kg} \\ \leq 2100 \text{ kg} \end{cases}$$



See the Certificate Of Conformity (COC) of your vehicle or contact your dealer to verify the max. trailer weight of your car!



See the user manual of the vehicle for correct use of bicycle carriers!



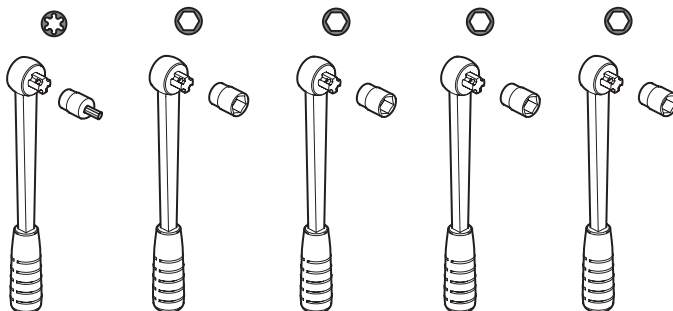
TX25

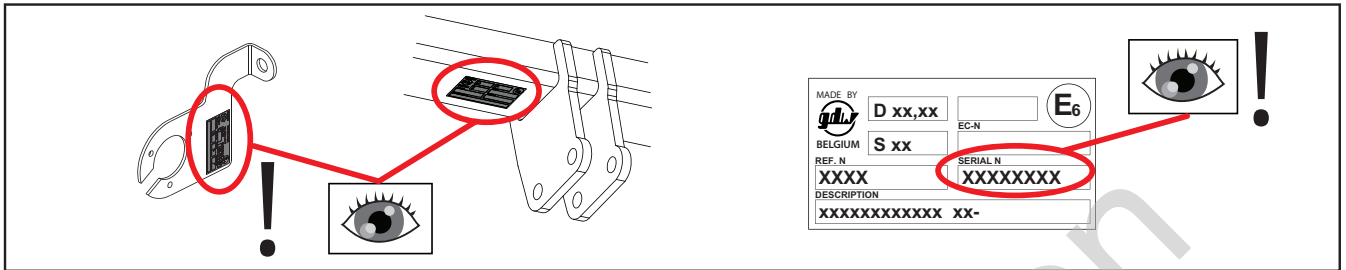
10

15

17

19



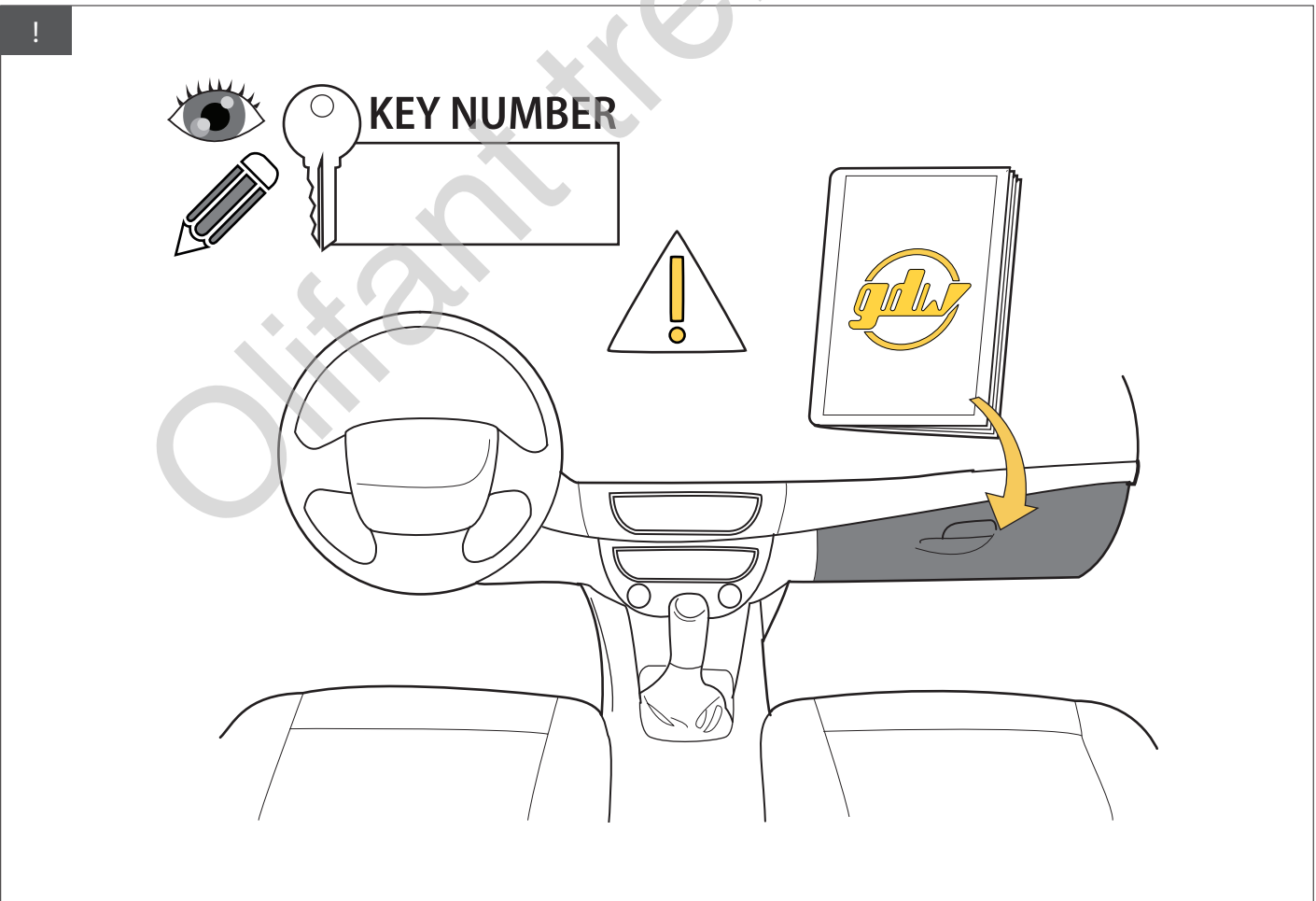


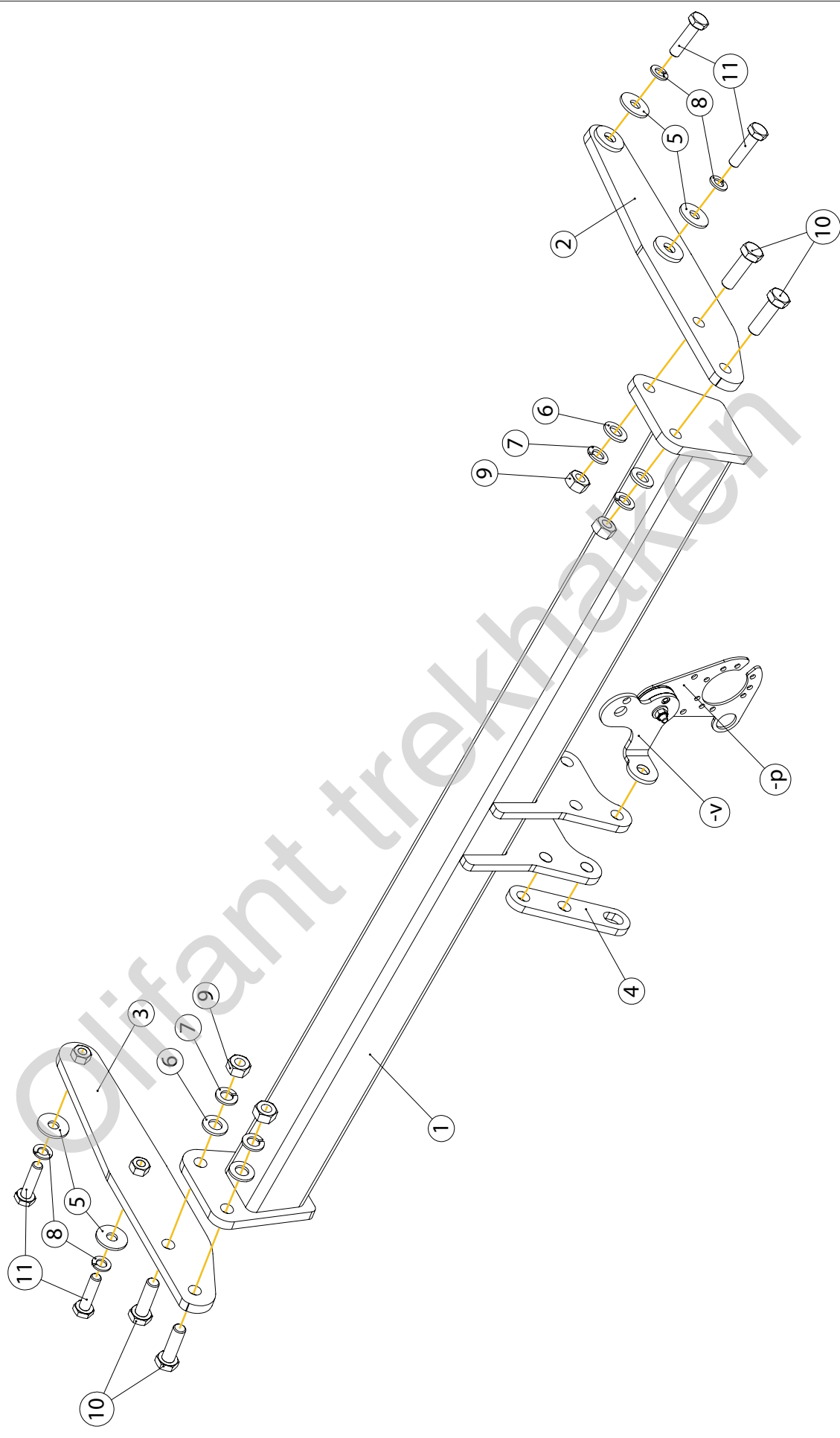


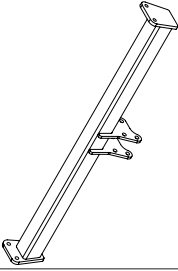
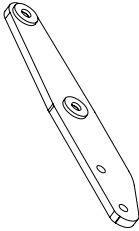
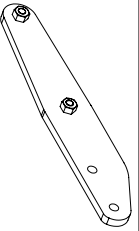








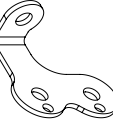
helpdesk@gdwtowbars.com

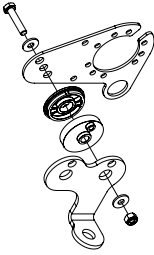
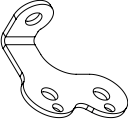

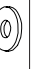


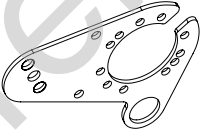

+32 56 62 77 79

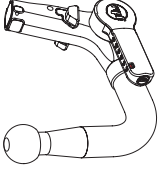

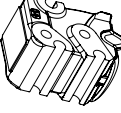



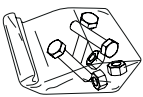



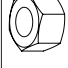
| | | |
|-----------|---------------|---------------|
| Monday | 08:00 - 12:00 | 12:30 - 16:30 |
| Tuesday | 08:00 - 12:00 | 12:30 - 16:30 |
| Wednesday | 08:00 - 12:00 | 12:30 - 16:30 |
| Thursday | 08:00 - 12:00 | 12:30 - 16:30 |
| Friday | 08:00 - 12:00 | 12:30 - 15:30 |



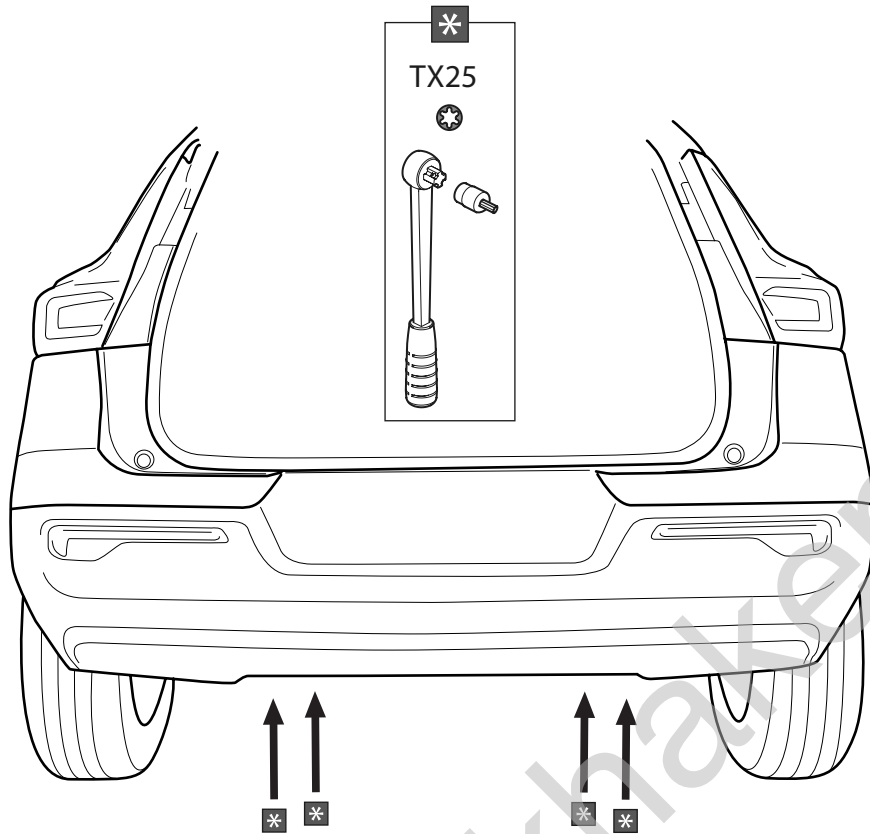


| | | | |
|----|---|----|----------------------|
| 1 |  | X1 | GDW REF. 2296T60 |
| 2 |  | X1 | GDW REF. 2 |
| 3 |  | X1 | GDW REF. 3 |
| 4 |  | X1 | GDW REF. 4 |
| 5 |  | X4 | DIN9021-10.5X30X2.5 |
| 6 |  | X4 | DINT25A-T3X24X2.5 |
| 7 |  | X4 | GROWER VSK-M12 |
| 8 |  | X4 | GROWER VSK-M10 |
| 9 |  | X4 | DIN934-M12 |
| 10 |  | X4 | DIN933-M12X40 |
| 11 |  | X4 | DIN933-M10X40-10.9 |
| -V |  | X1 | GDW REF. 2296T60-060 |

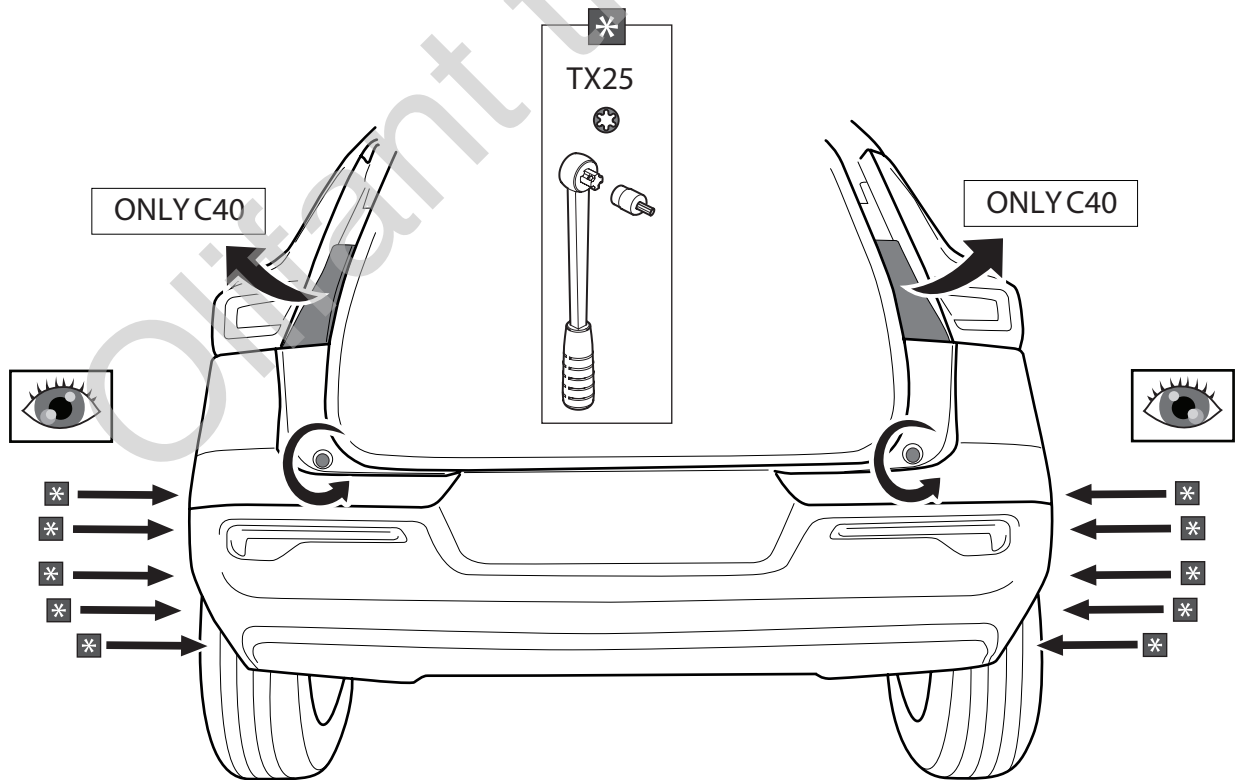
| | | | |
|----|--|----|--------------------------|
| -P |  | X1 | GDW REF. P45 + REF. 4 |
| ┆ |  | X1 | GDW REF. 2296T60-060 |
| ┆ |  | X1 | DIN985-M6 |
| ┆ |  | X2 | 6,2 X 15,4 X 1,6 (NYLON) |
| ┆ |  | X1 | GDW REF. 718.16.002 |
| ┆ |  | X1 | GDW REF. 718.16.003 |
| ┆ |  | X1 | GDW REF. 908.100 |
| ┆ |  | X1 | DIN933-M6 X 30 |

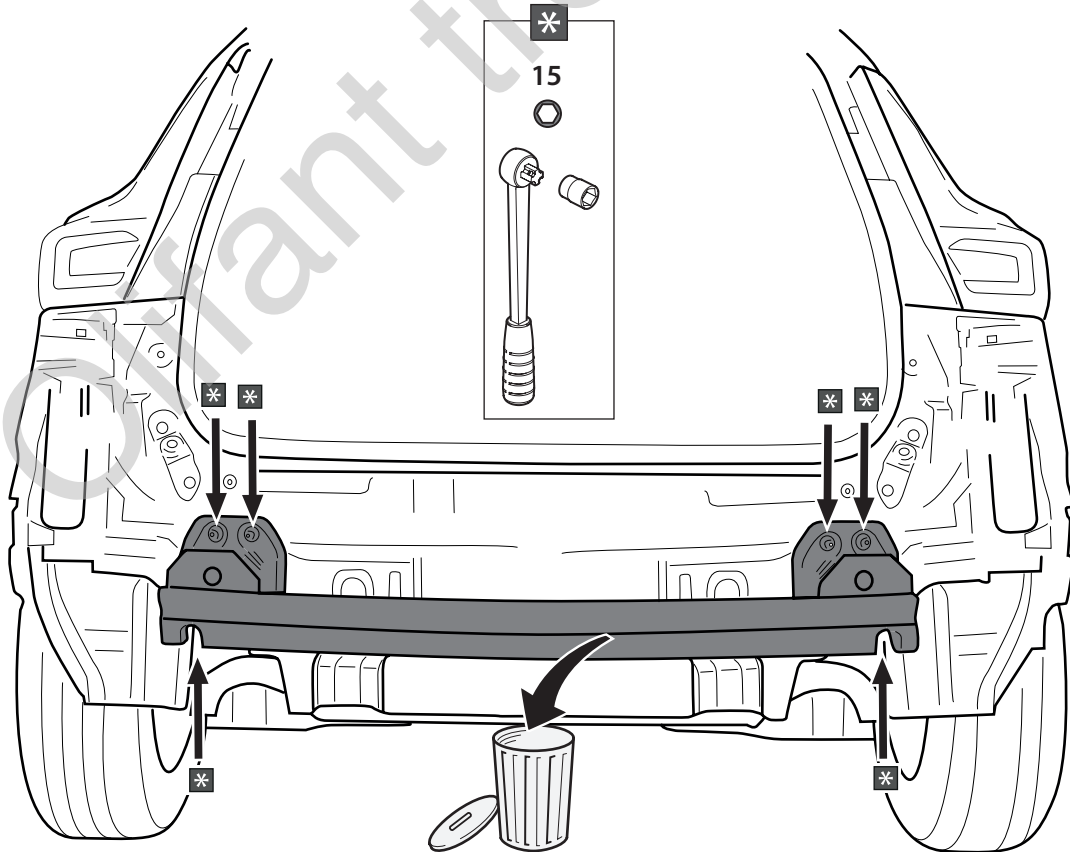
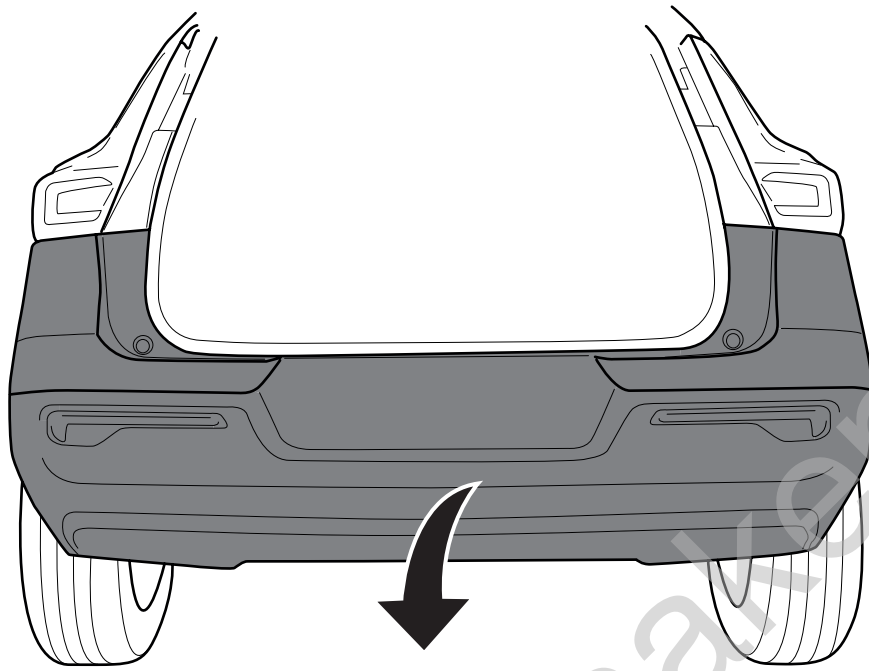
| | | |
|--|---|---------------------|
| Geleverd met - Livré avec - Delivered with Gefiefert mit - Elementos adjuntos-Leveres med | X1 | GDW REF. 960.V0606 |
|  | X1 | GDW REF. 740.200 |
| ┆ |  | GDW REF. 912.003 |
|  | X1 | GDW REF. 740.112 |
| ┆ |  | GDW REF. 740.111 |
| ┆ |  | GDW REF. 740.114 |
|  | X1 | GDW REF. 718.15.001 |
|  | X1 | GDW REF. SYST60-10 |
| ┆ |  | DIN931-M12X110-8.8 |
| ┆ |  | DINT28A-M12 |
| ┆ |  | DINT25A-M12 |
| ┆ |  | DIN934-M12 |

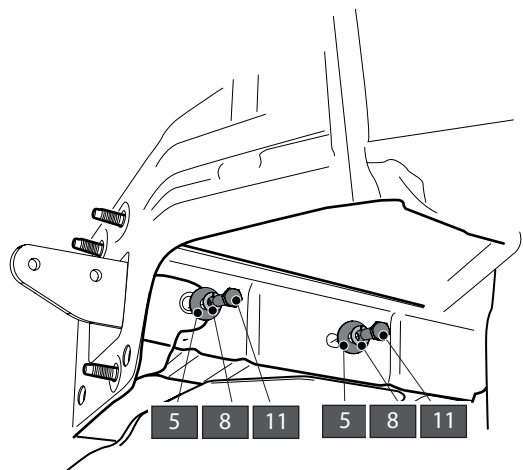
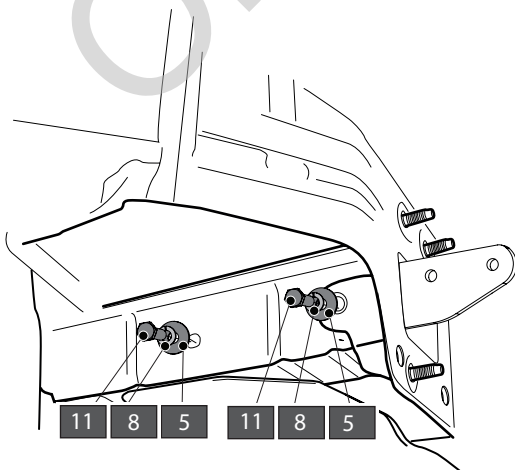
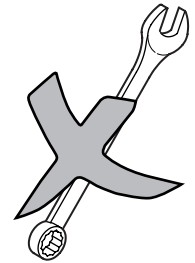
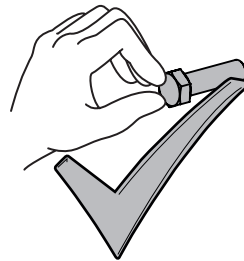
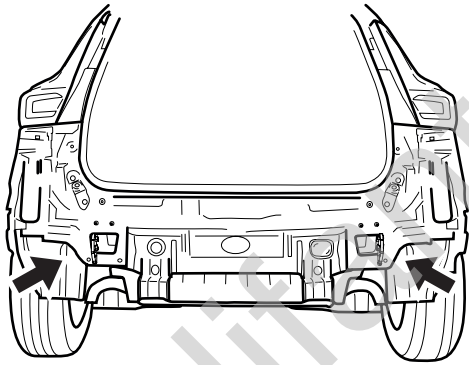
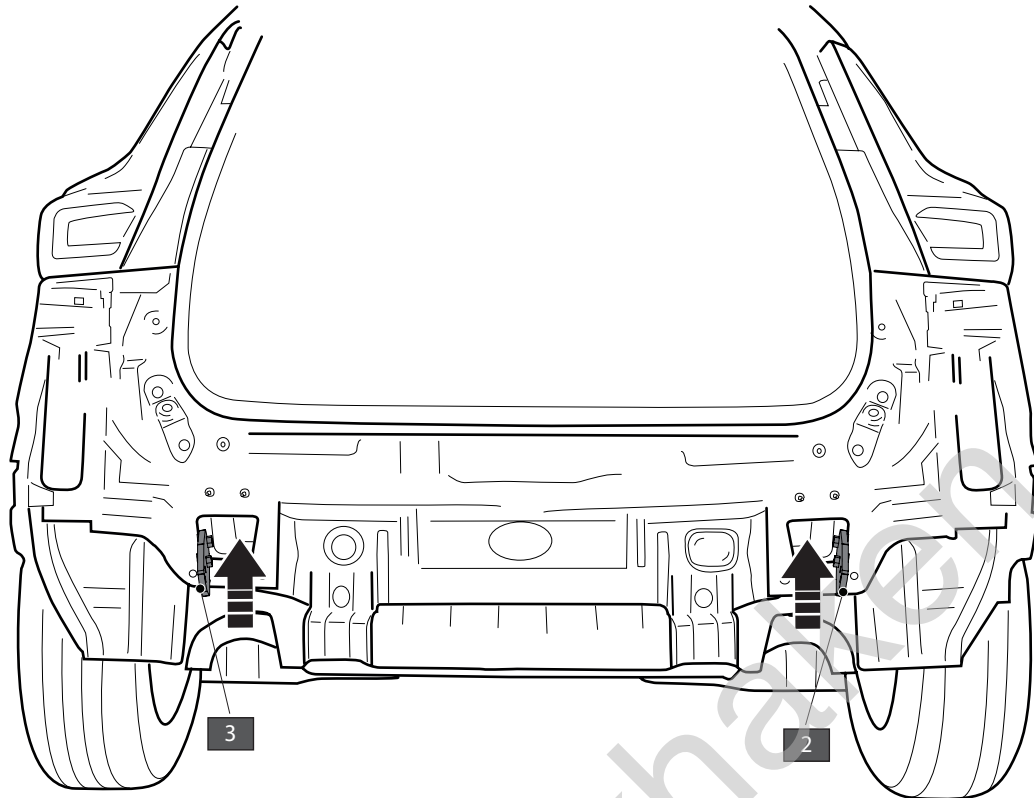
1



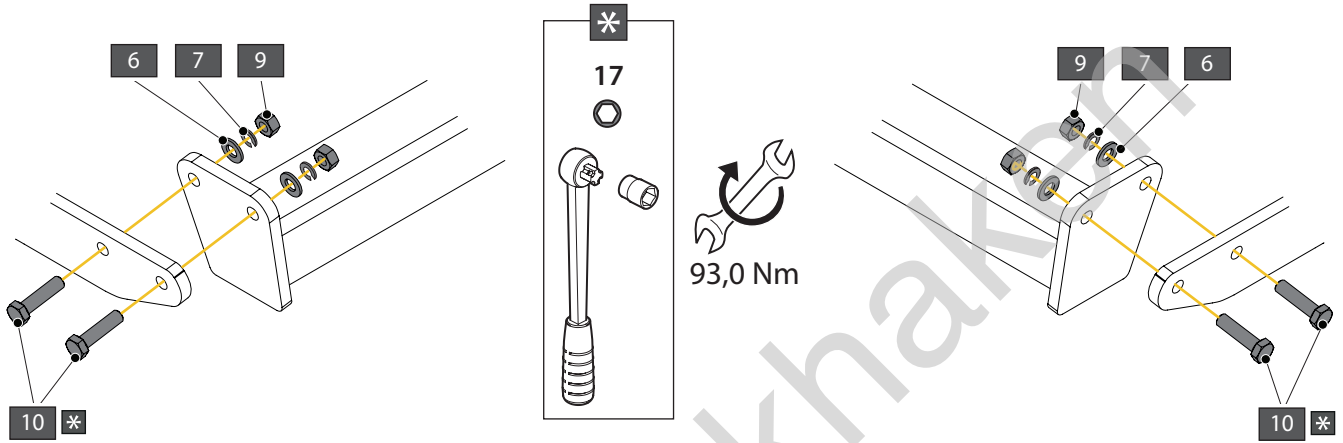
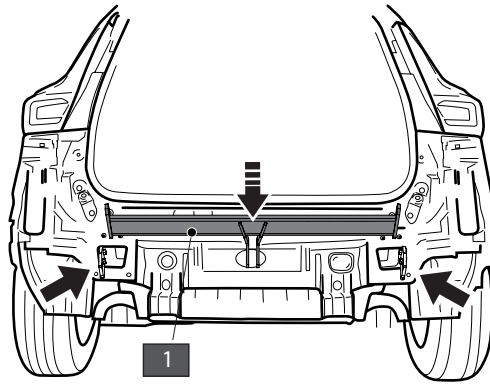
2



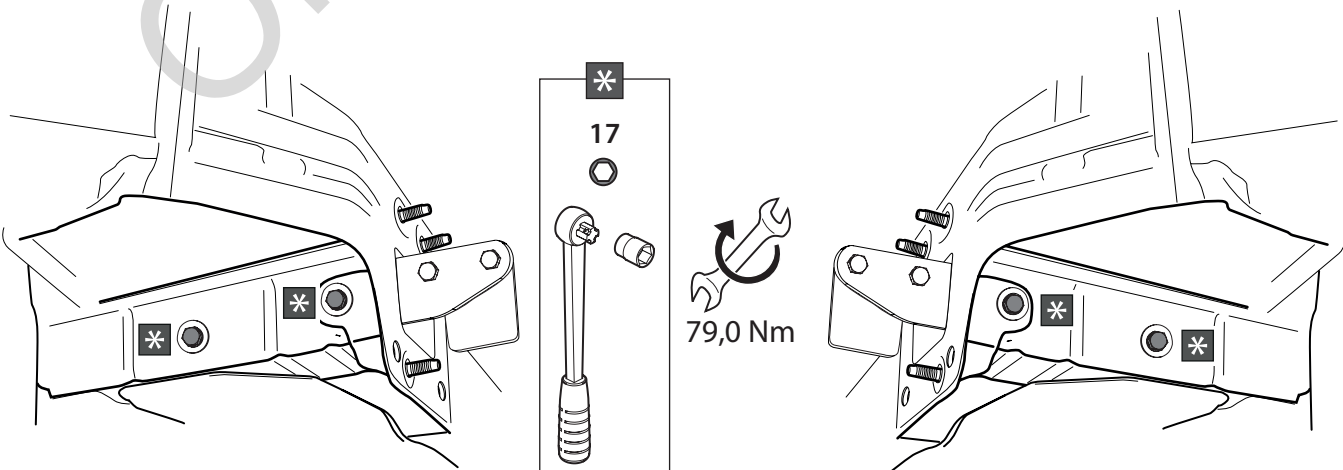
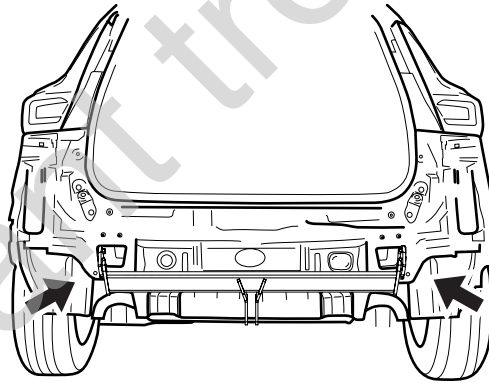


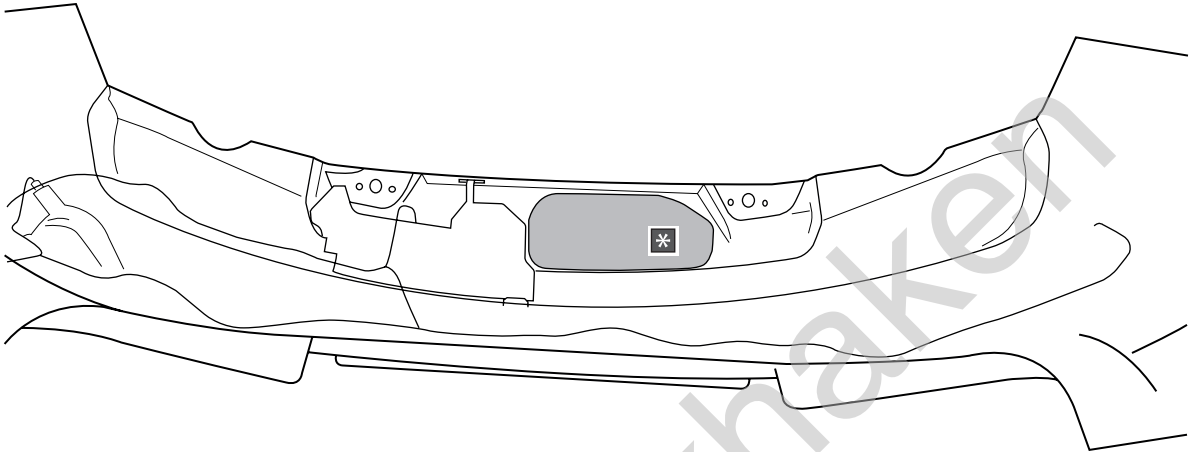
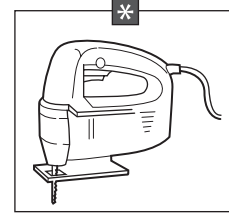
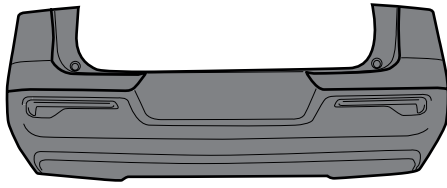


7

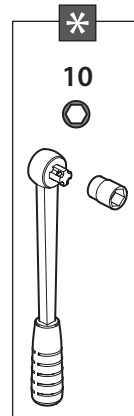


8



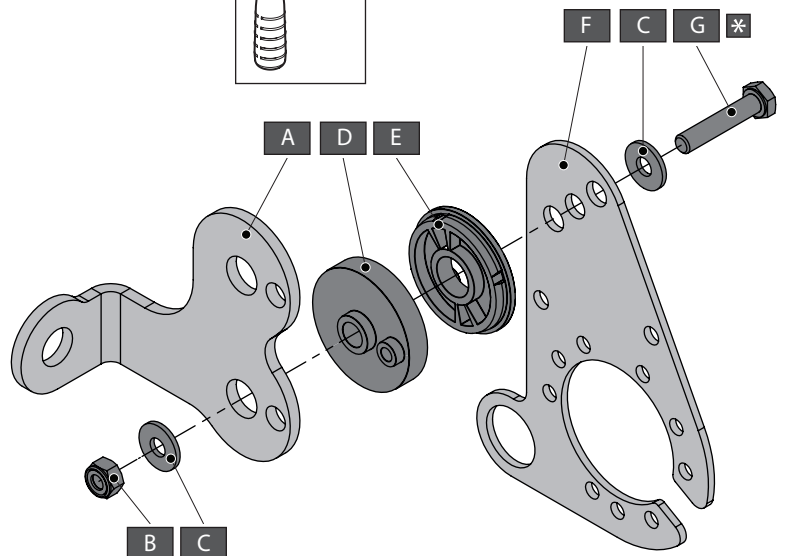


AFTERMARKET WIRING KIT

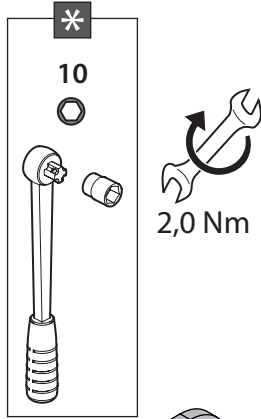


2,0 Nm

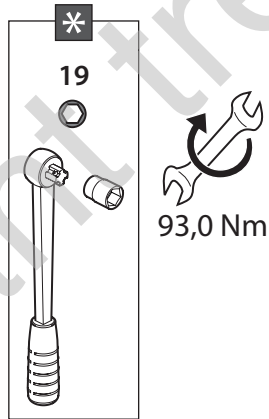
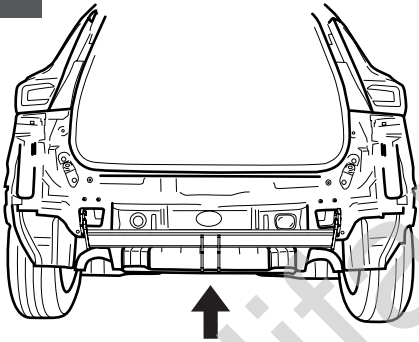
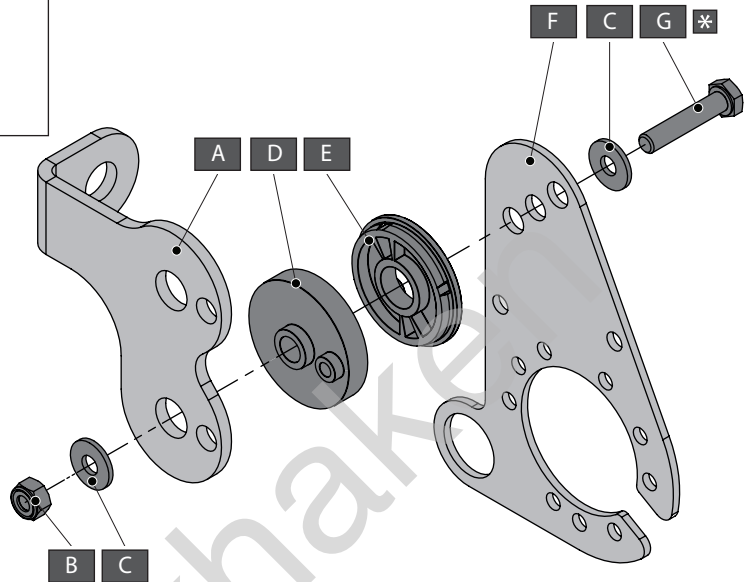
| | | | |
|---|--|----|--------------------------|
| A | | X1 | GDW REF.2296T60-060 |
| B | | X1 | DIN985-M6 |
| C | | X2 | 6,2 X 15,4 X 1,6 (NYLON) |
| D | | X1 | GDW REF. 718.16.002 |
| E | | X1 | GDW REF. 718.16.003 |
| F | | X1 | GDW REF. 908.100 |
| G | | X1 | DIN933-M6 X 30 |



OE WIRING KIT



| | | | |
|---|--|----|--------------------------|
| A | | X1 | GDW REF. 2296T60-060 |
| B | | X1 | DIN985-M6 |
| C | | X2 | 6,2 X 15,4 X 1,6 (NYLON) |
| D | | X1 | GDW REF. 718.16.002 |
| E | | X1 | GDW REF. 718.16.003 |
| F | | X1 | GDW REF. 908.100 |
| G | | X1 | DIN933-M6 X 30 |



| | | | |
|---|--|----|----------------|
| A | | X1 | 912.003 |
| B | | X3 | DIN931-M12X110 |
| C | | X6 | DIN125A-M12 |
| D | | X3 | DIN128A-M12 |
| E | | X3 | DIN934-M12 |
| F | | X1 | GDW REF. 5 |

