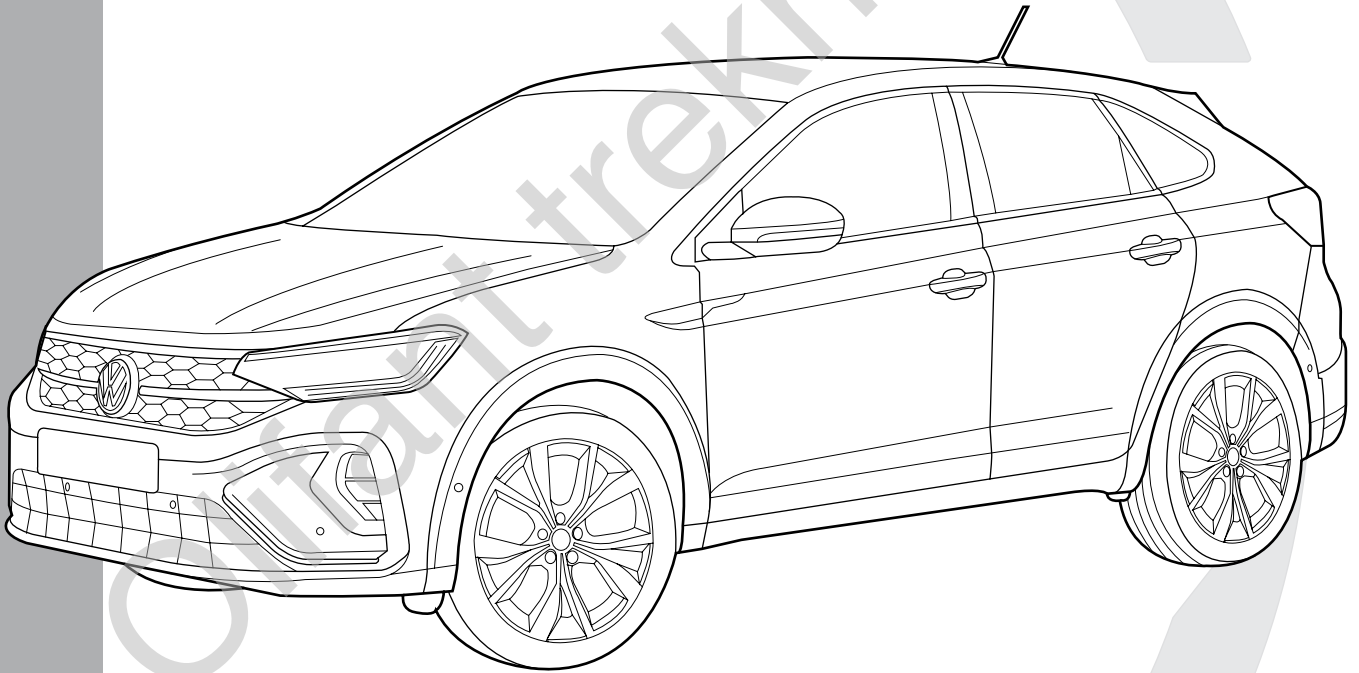
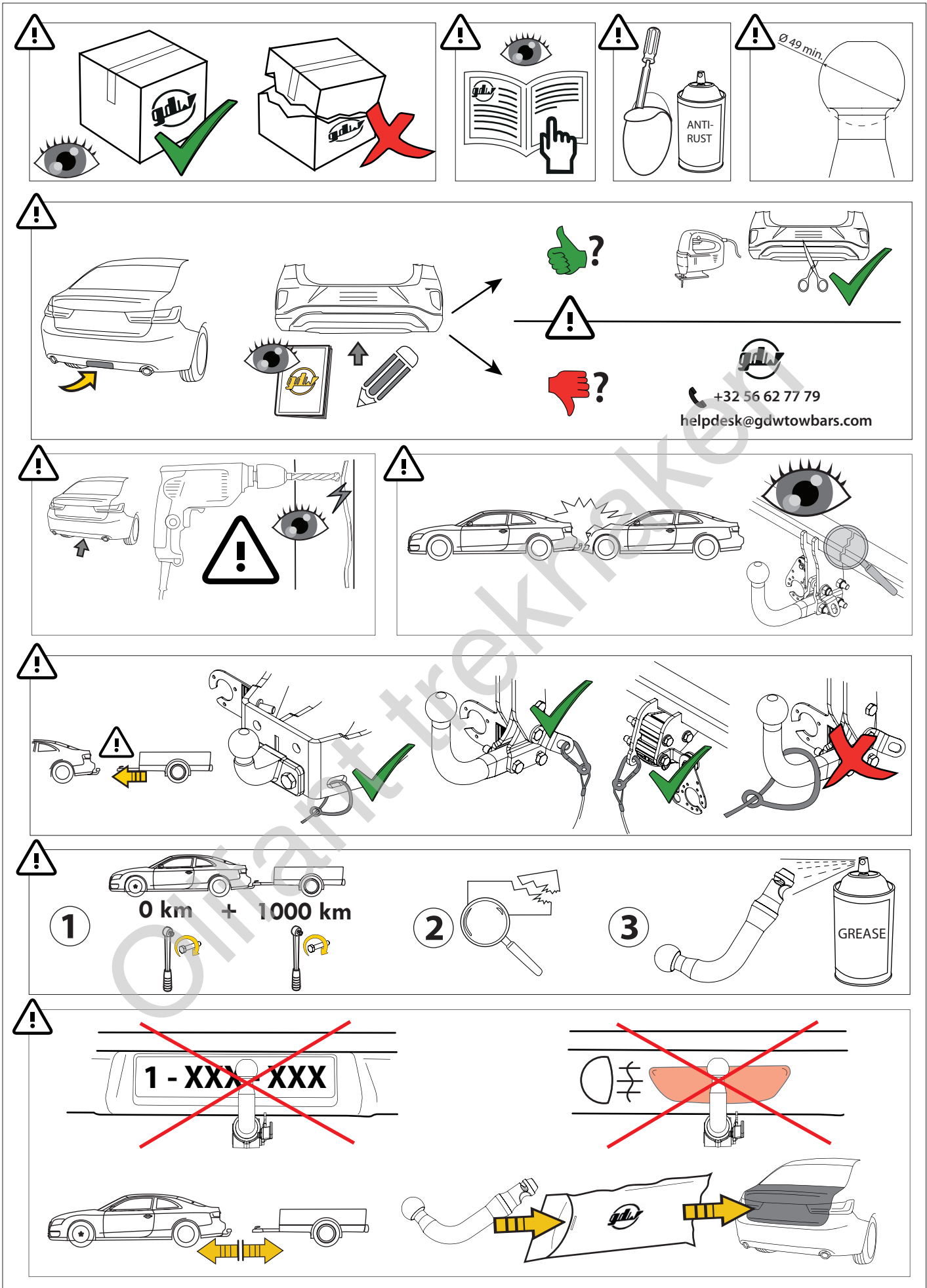




Volkswagen Taigo 11/'21-

- ✓ LIFE
- ✓ STYLE
- ✓ R-LINE
- ✓ LIFE BUSINESS
- ✓ STYLE BUSINESS
- ✓ R-LINE BUSINESS





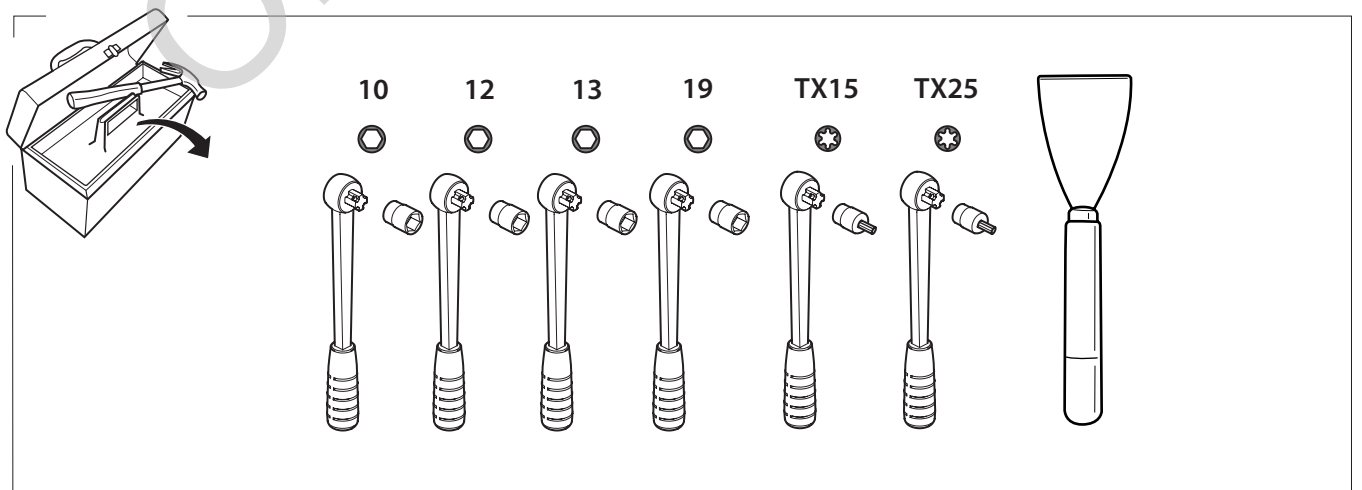
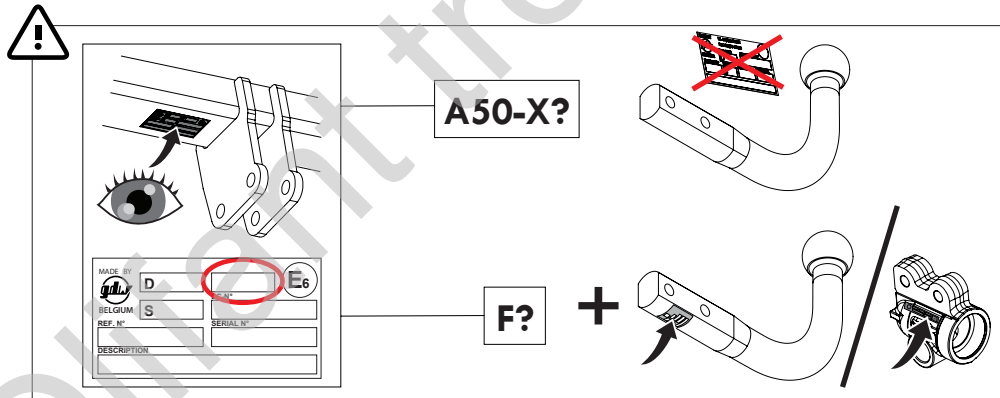
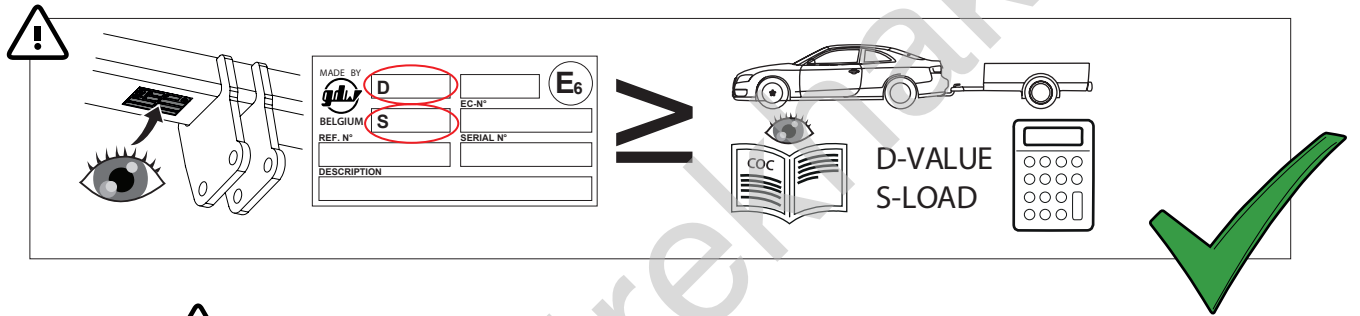
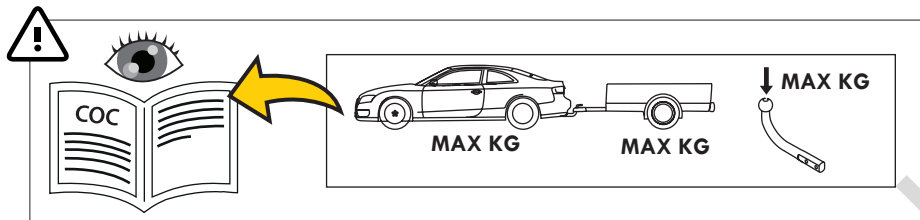
MADE BY 	D 7,50	F	E6
BELGIUM	S 90	EC-N° 55R-02 1719	
REF N° 2650T60		SERIAL N° XXXX	
DESCRIPTION Volkswagen Taigo			

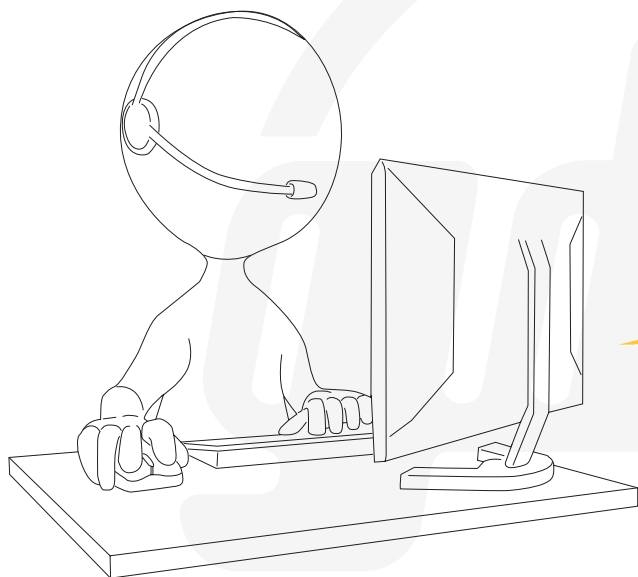
$$D = \frac{\text{max kg (car)} \times \text{max kg (trailer)}}{\text{max kg (car)} + \text{max kg (trailer)}} \times 0.00981 \leq 7,50 \text{ kN}$$

$S =$ $\leq 90 \text{ kg}$

$+$ $\leq 1350 \text{ kg}$

See the Certificate Of Conformity (COC) of your vehicle or contact your dealer to verify the max. trailer weight of your car!

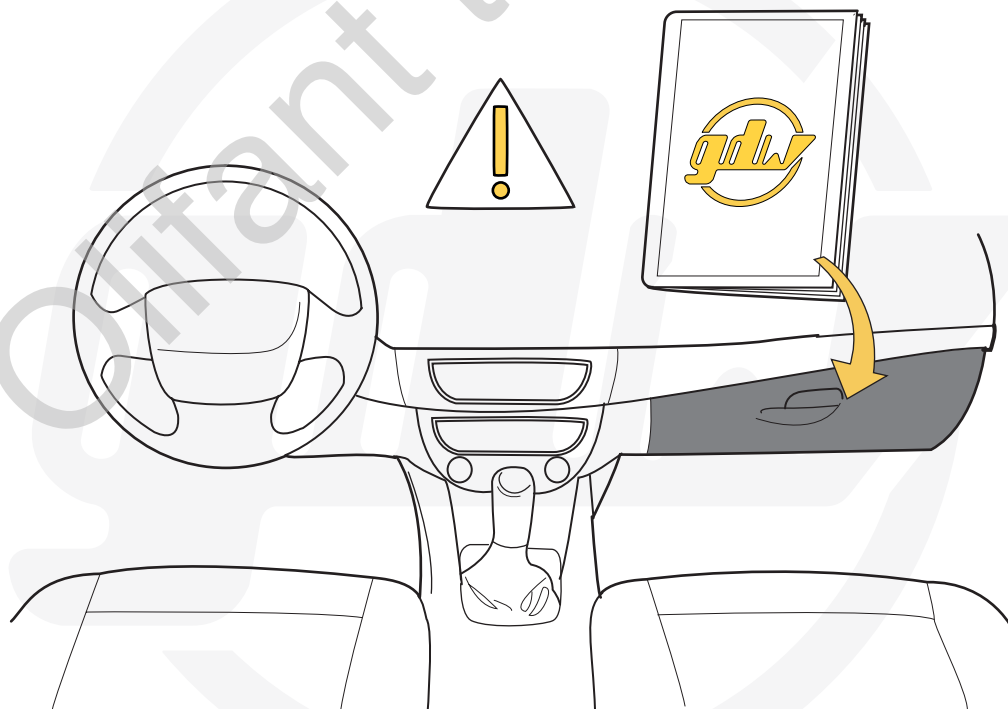


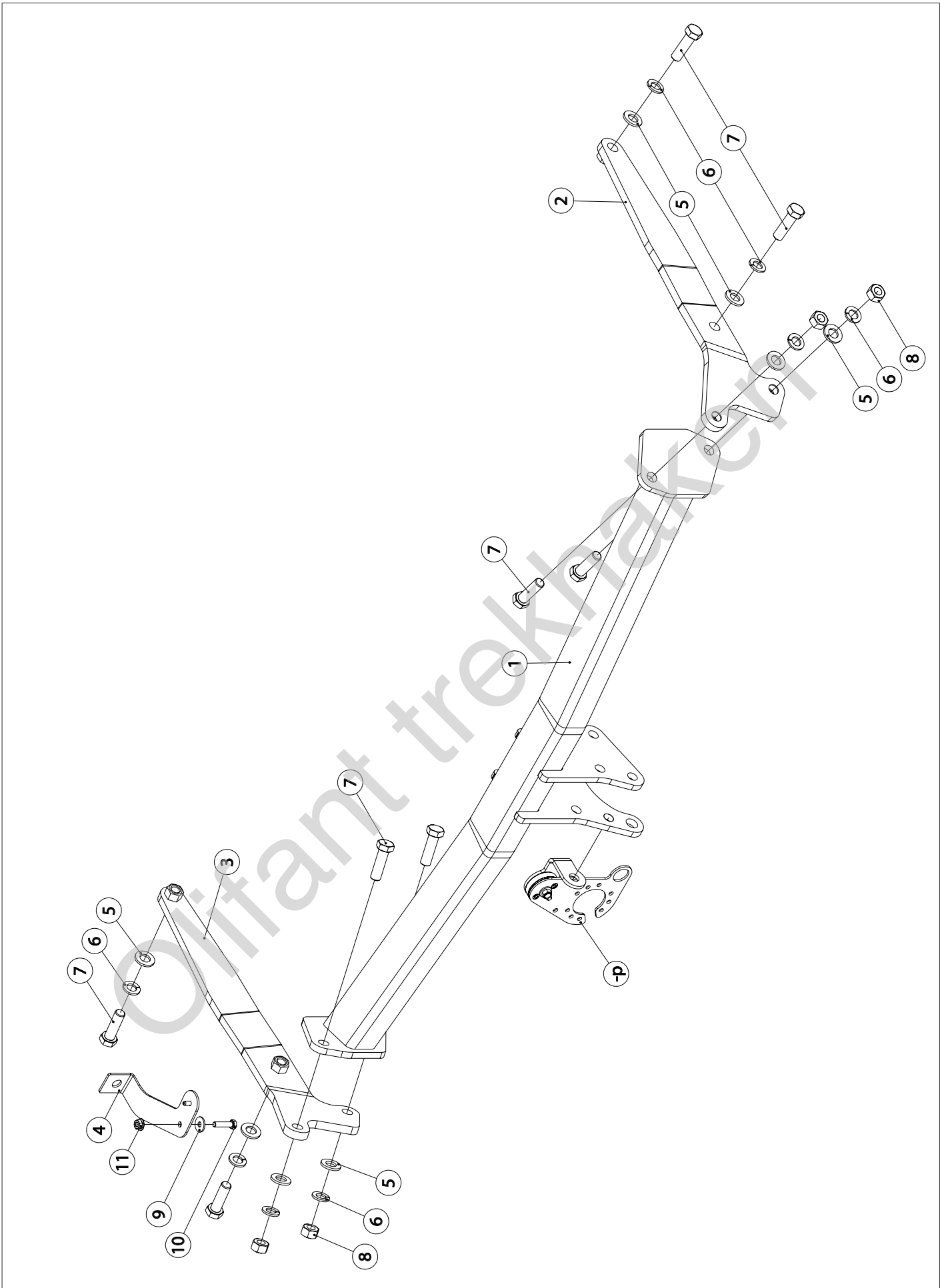


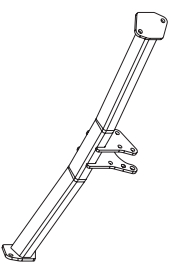
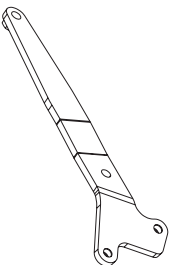
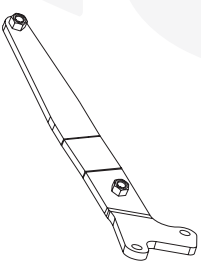
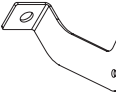







helpdesk@gdwtowbars.com

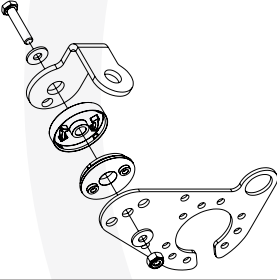




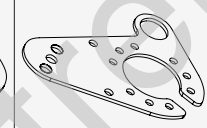


+32 56 62 77 79

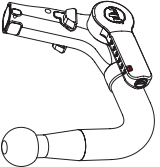

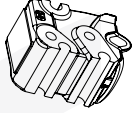


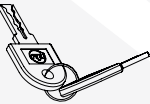






Monday	08:00 - 12:00	12:30 - 16:30
Tuesday	08:00 - 12:00	12:30 - 16:30
Wednesday	08:00 - 12:00	12:30 - 16:30
Thursday	08:00 - 12:00	12:30 - 16:30
Friday	08:00 - 12:00	12:30 - 15:30



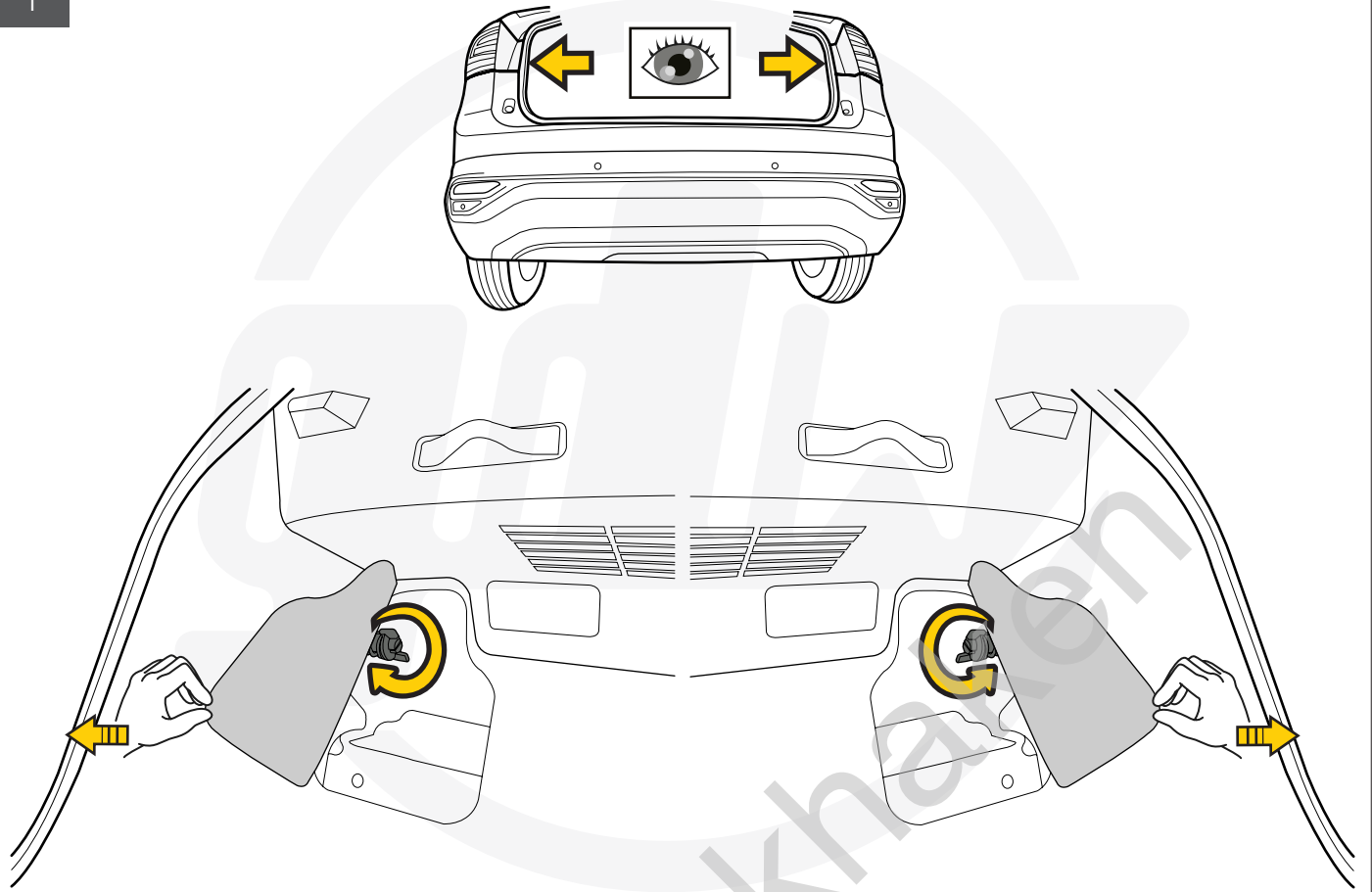


1		X1	GDW REF. 2650160
2		X1	GDW REF. 2
3		X1	GDW REF. 3
4		X1	GDW REF. 4
5		X8	DIN125-A12-140HV-ELVZ
6		X8	DIN128A-M12
7		X8	DIN933-M12X40
8		X4	DIN934-M12
9		X1	DIN9021-M6-ELVZ
10		X1	DIN933-M6X25
11		X1	DIN6923-M6

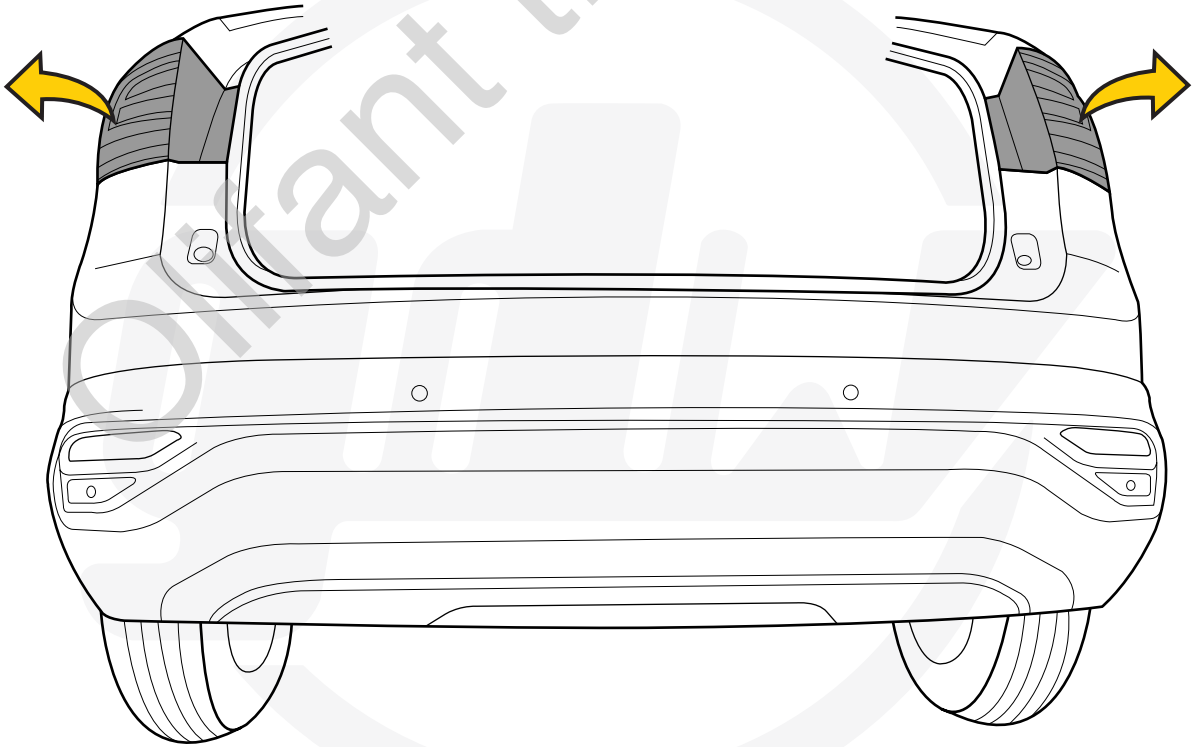
-P		X1	GDW REF. P39
↳		X1	DIN985-M6
↳		X2	6,2 X 15,4 X 1,6 (NYLON)
↳		X1	GDW REF. 718.16.002
↳		X1	GDW REF. 718.16.003
↳		X1	GDW REF. 908.094
↳		X1	DIN933-M6 X 30
↳		X1	GDW REF. 908.095

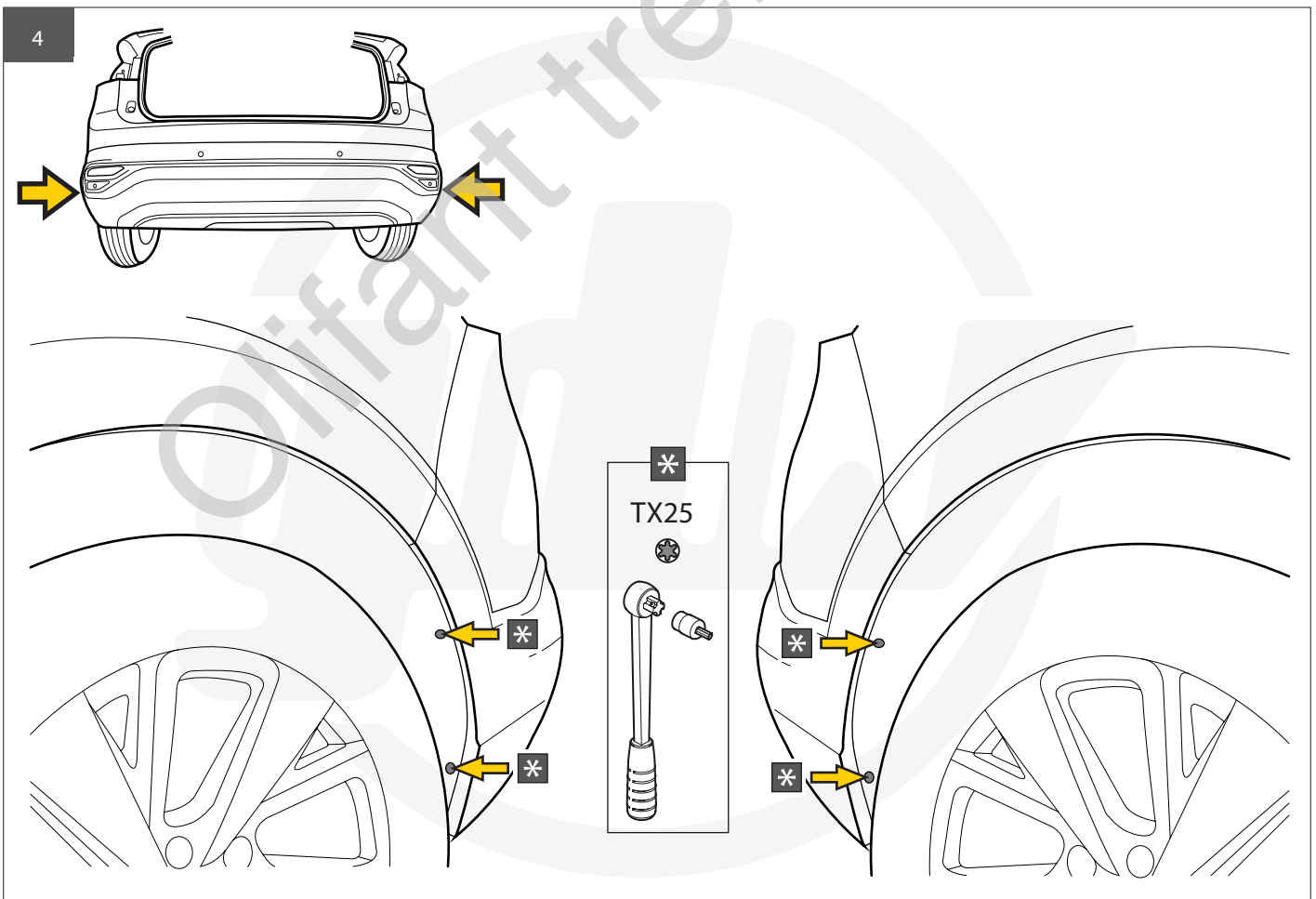
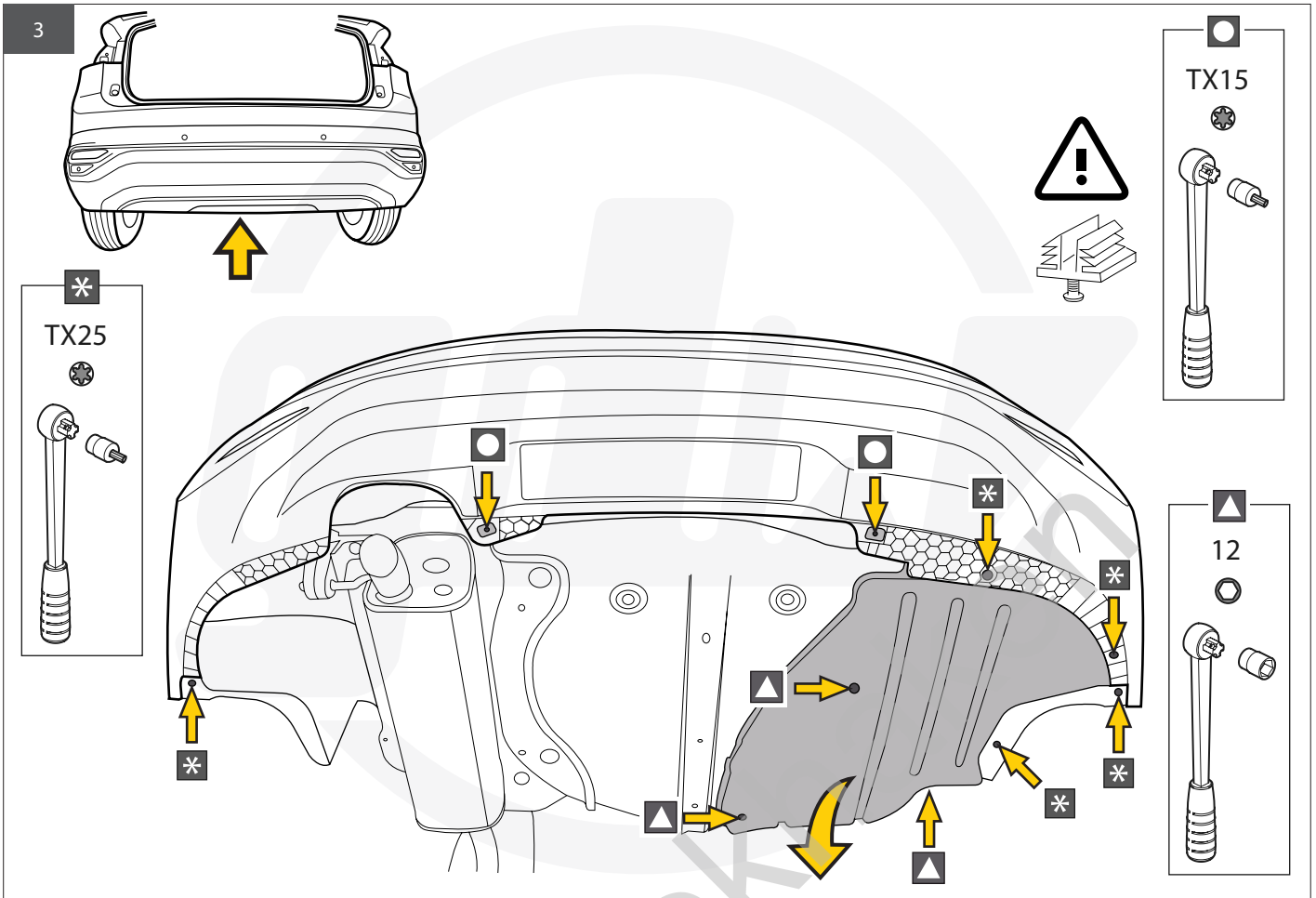
Geleverd met - Livré avec - Delivered with Gefiefert mit - Elementos adjuntos-Leveres med		X1	GDW REF. 960.VO408
	↳ 	X1	GDW REF. 740.200
		X1	GDW REF. 912.003
	↳ 	X1	GDW REF. 740.112
	↳ 	X1	GDW REF. 740.111
		X1	GDW REF. 740.12X X= LAST NUMBER ON KEY
		X1	GDW REF. 718.15.001
		X1	GDW REF. SYST60-10
	↳ 	X3	DIN931-M12X110-8.8
	↳ 	X3	DIN128A-M12
	↳ 	X6	DIN125A-M12
	↳ 	X3	DIN934-M12

1

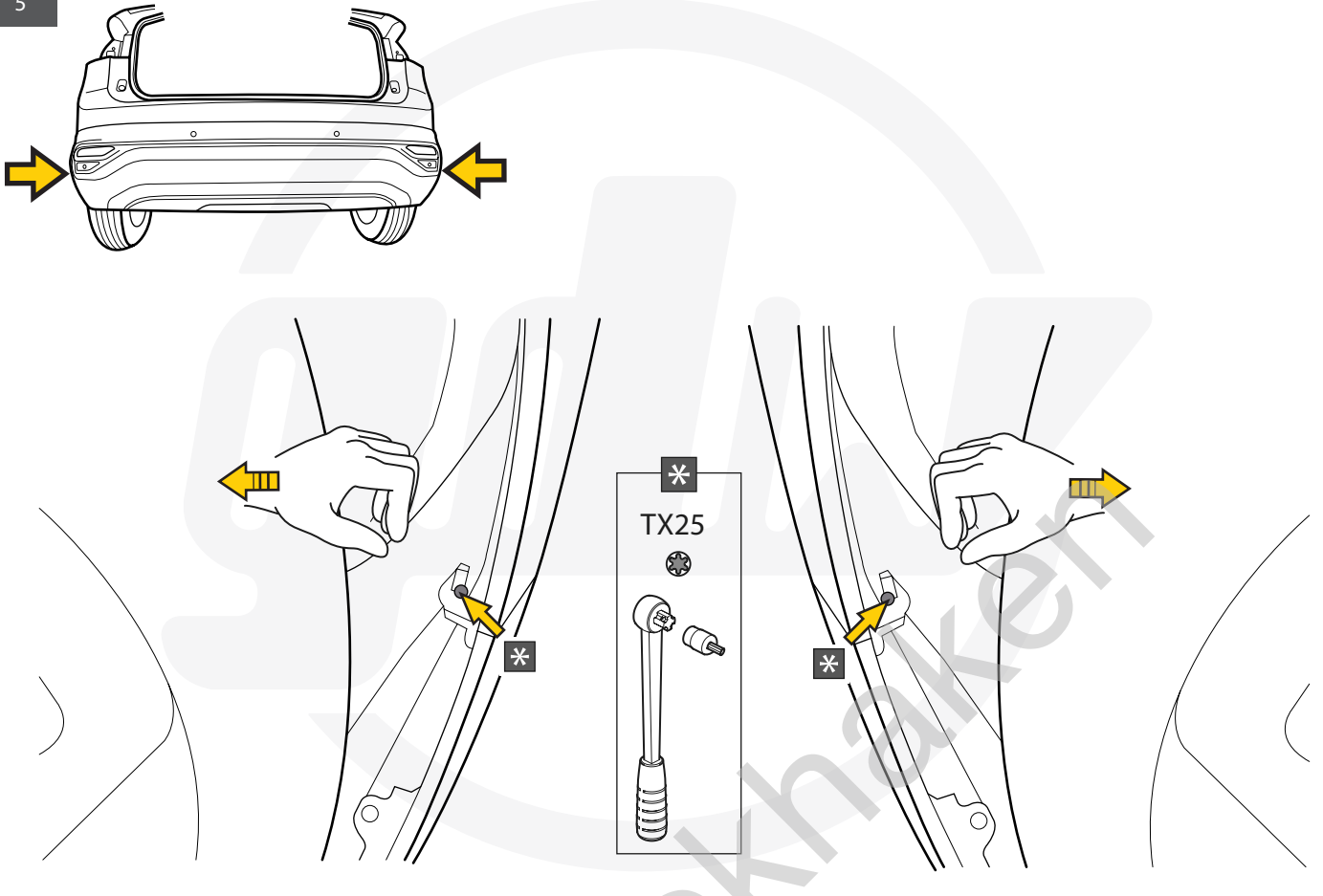


2

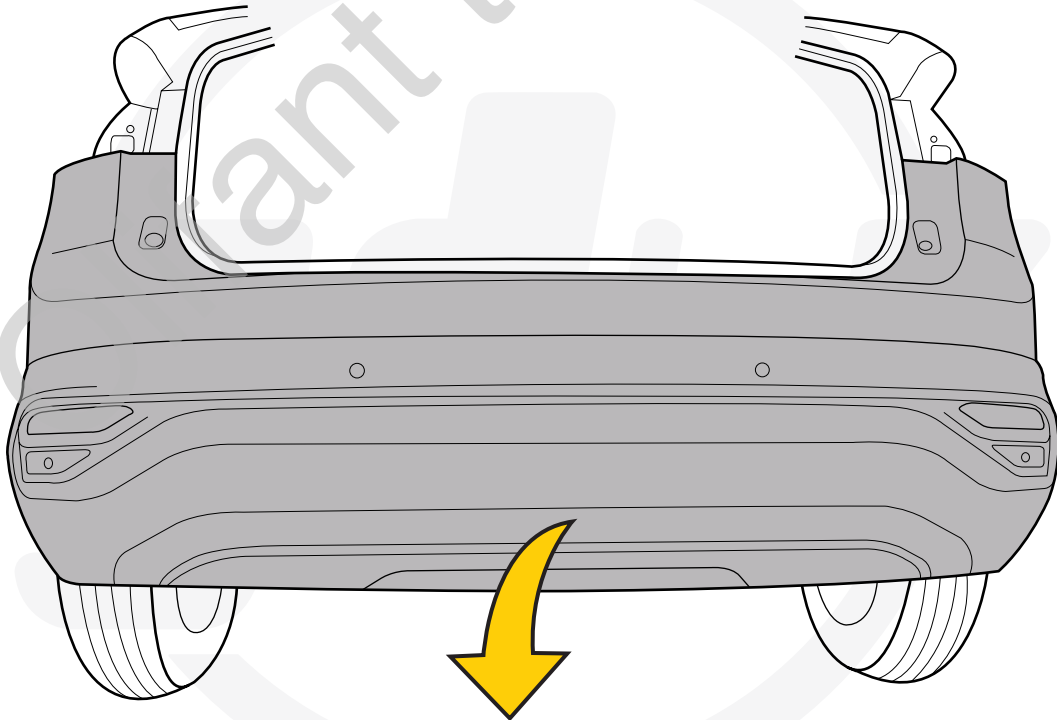


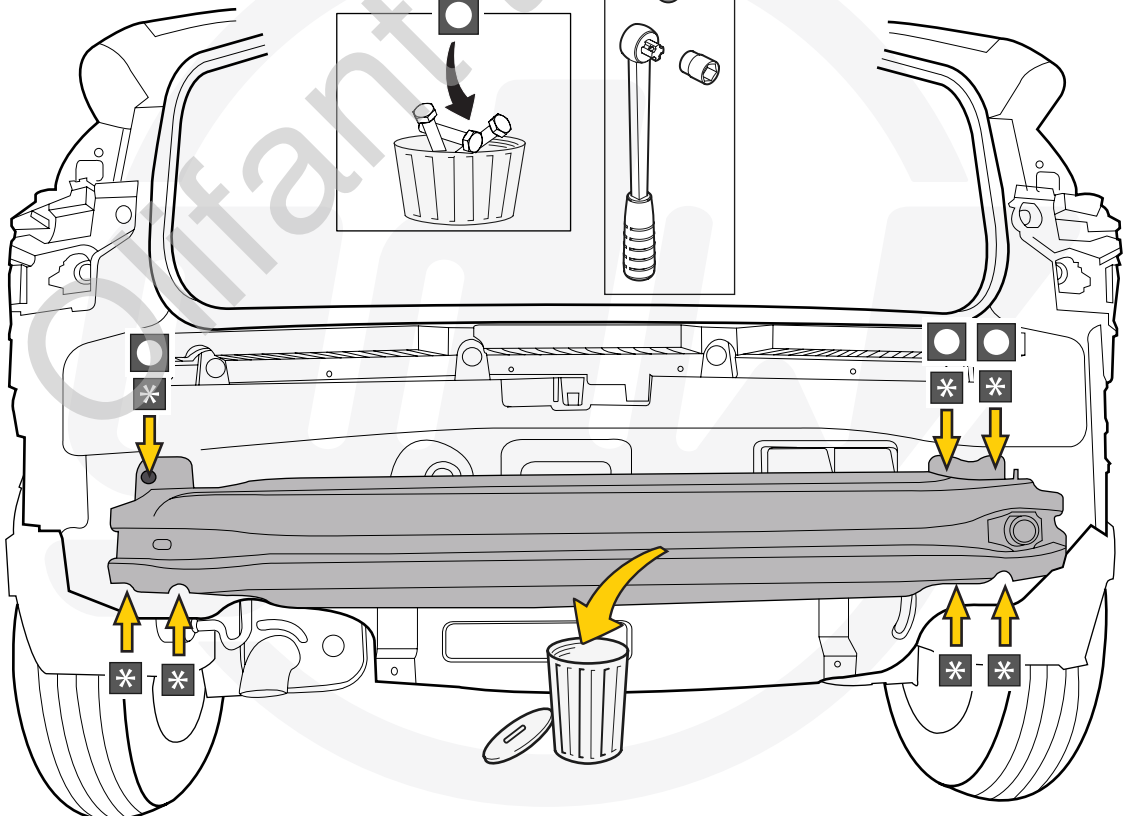
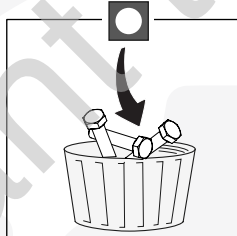
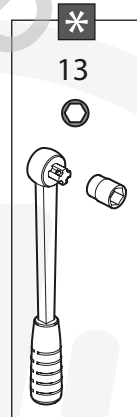
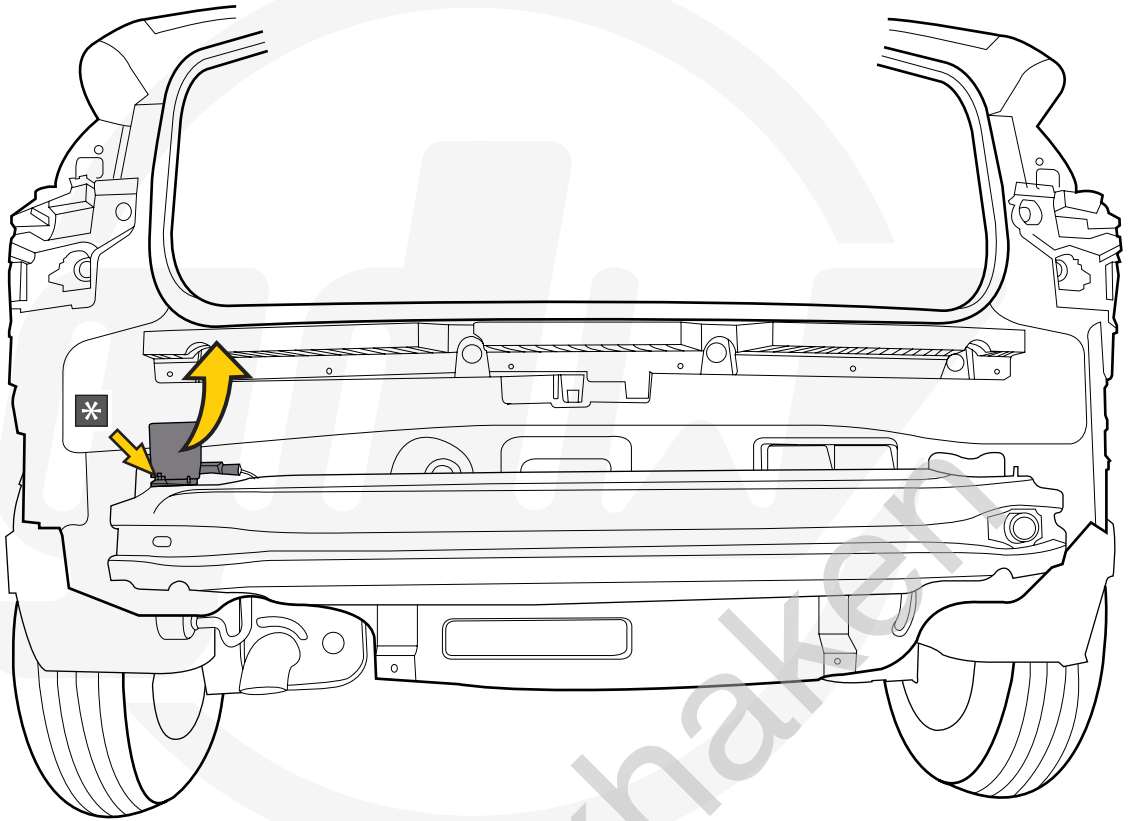
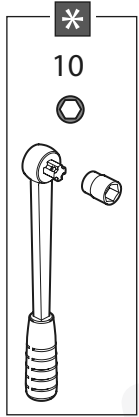


5

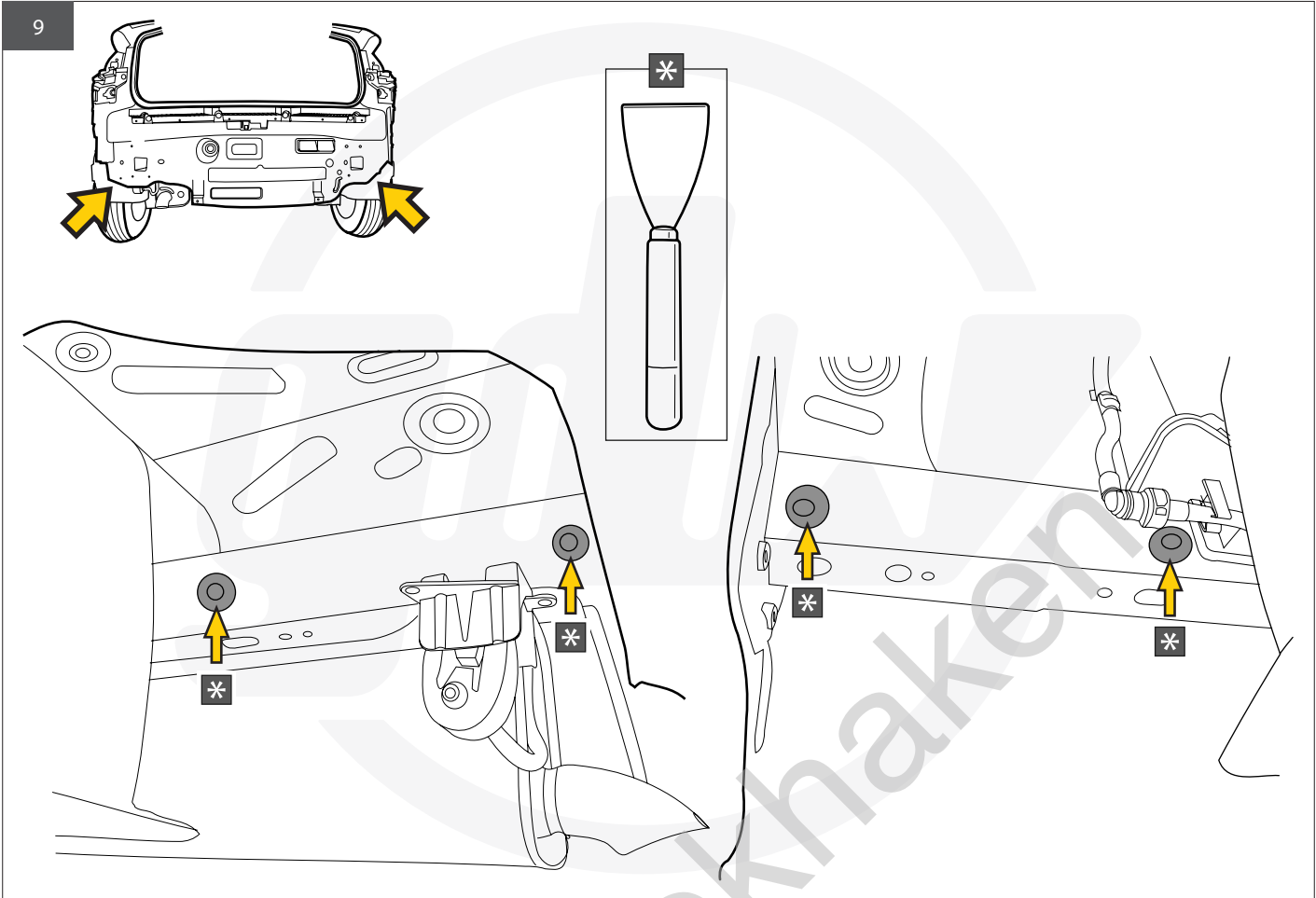


6

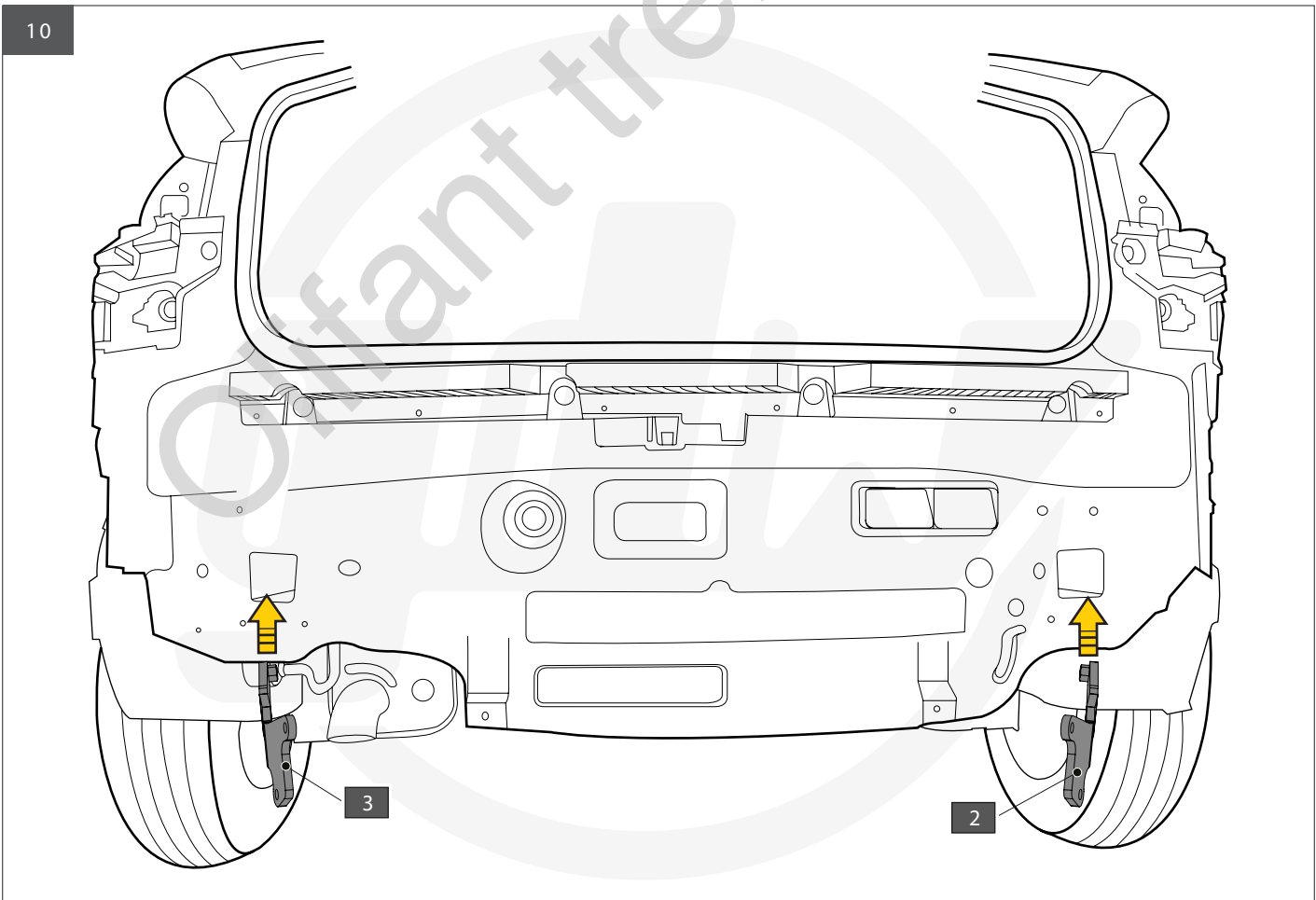




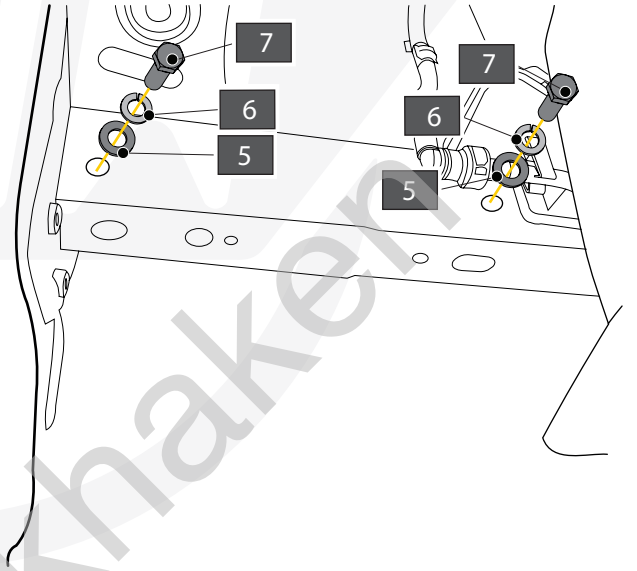
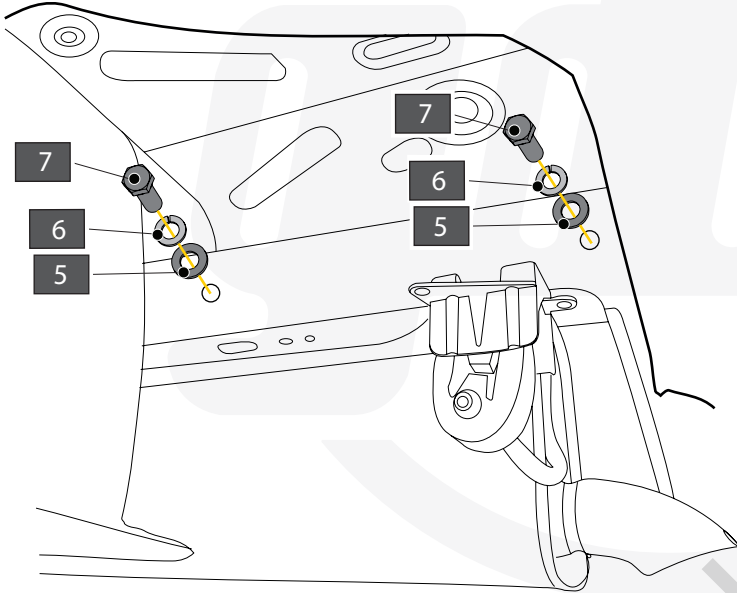
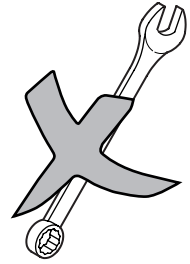
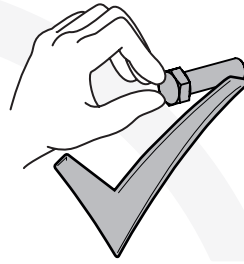
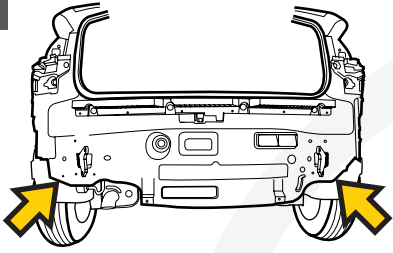
9



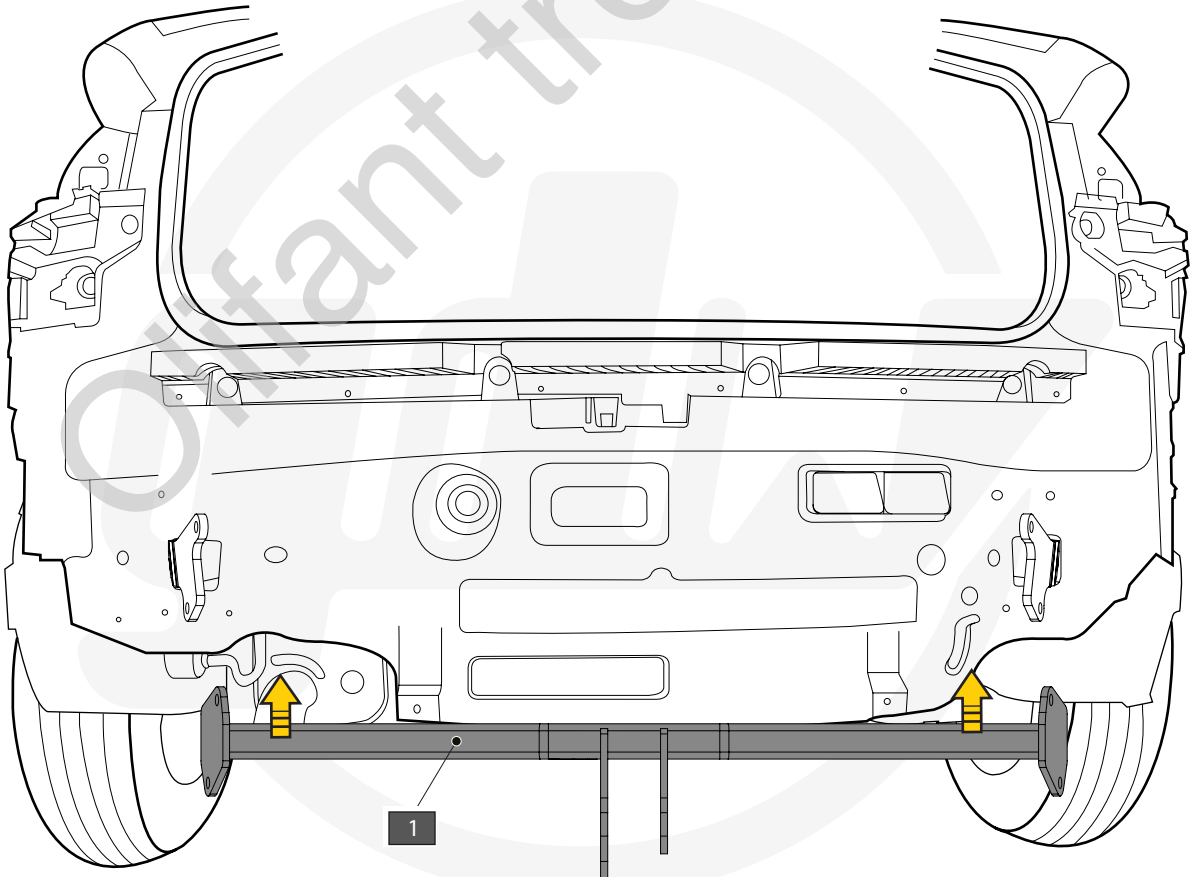
10



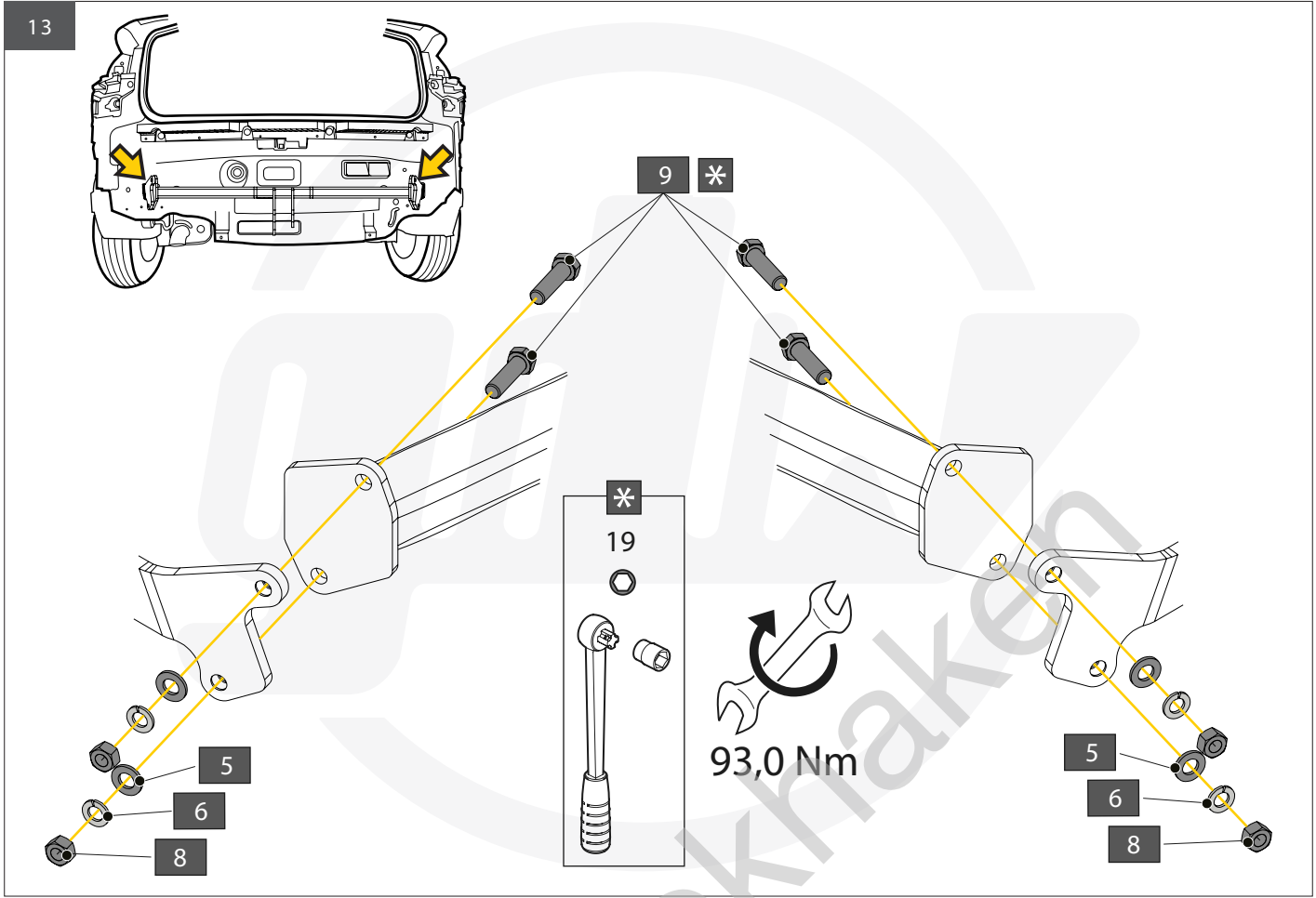
11



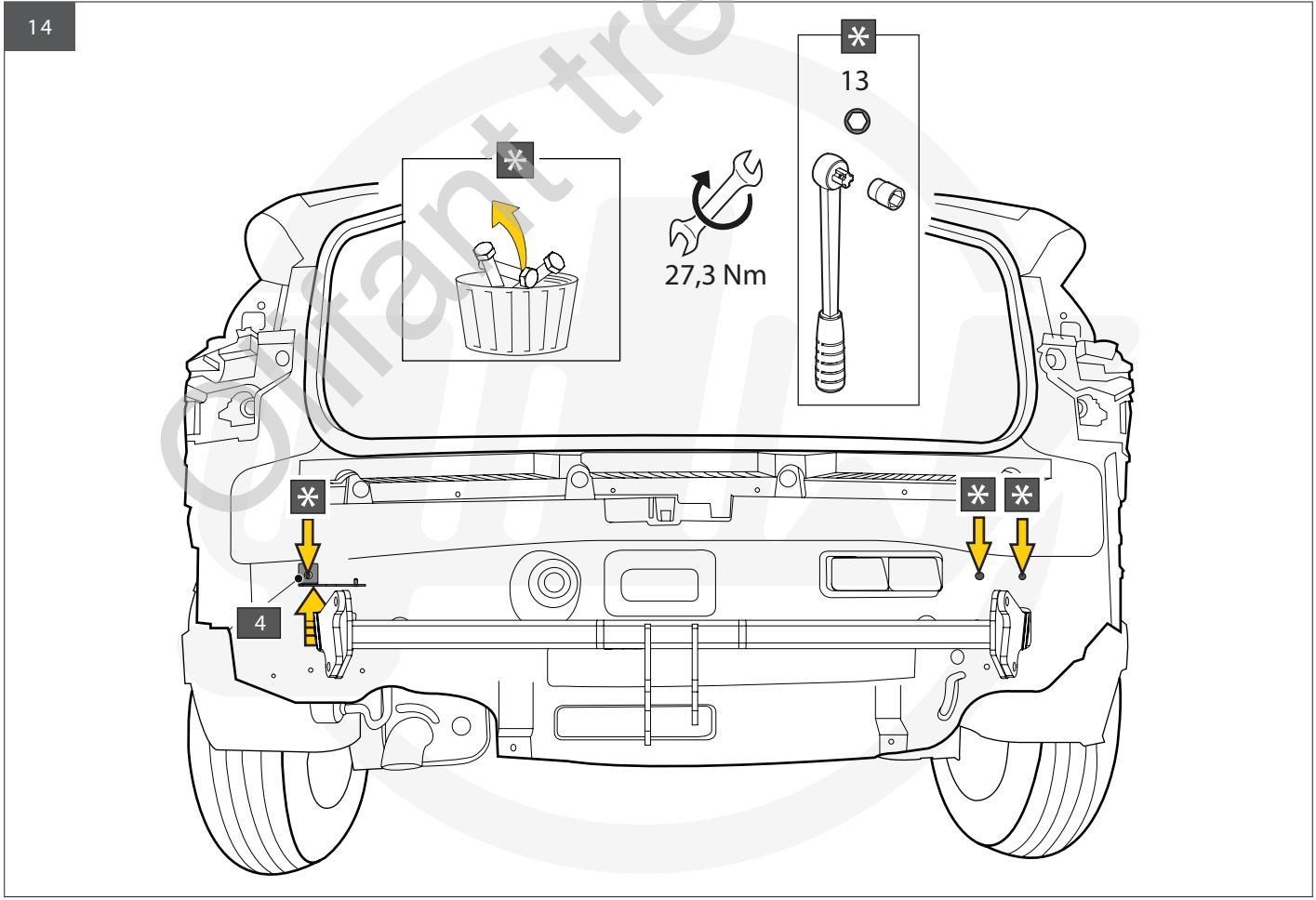
12

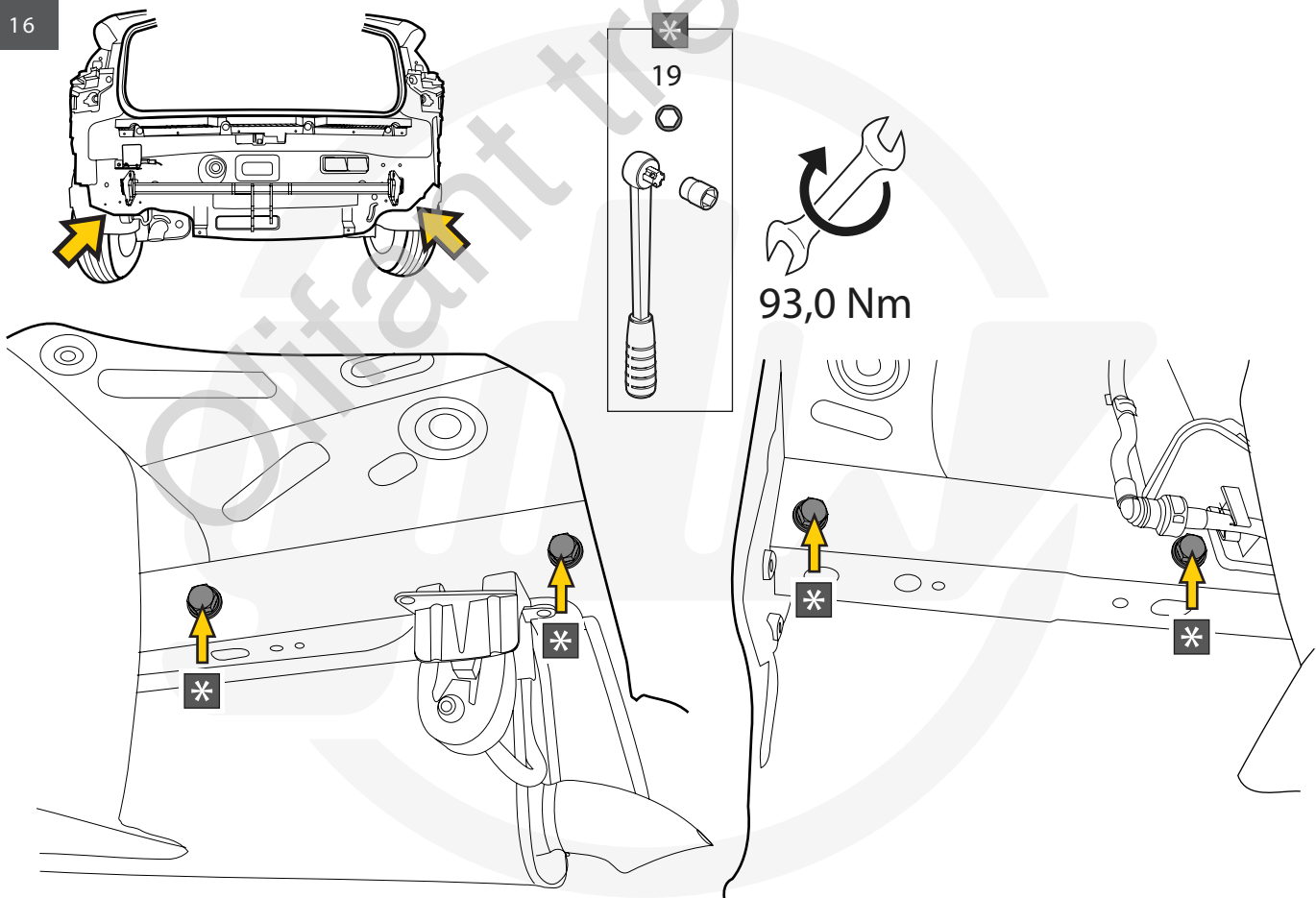
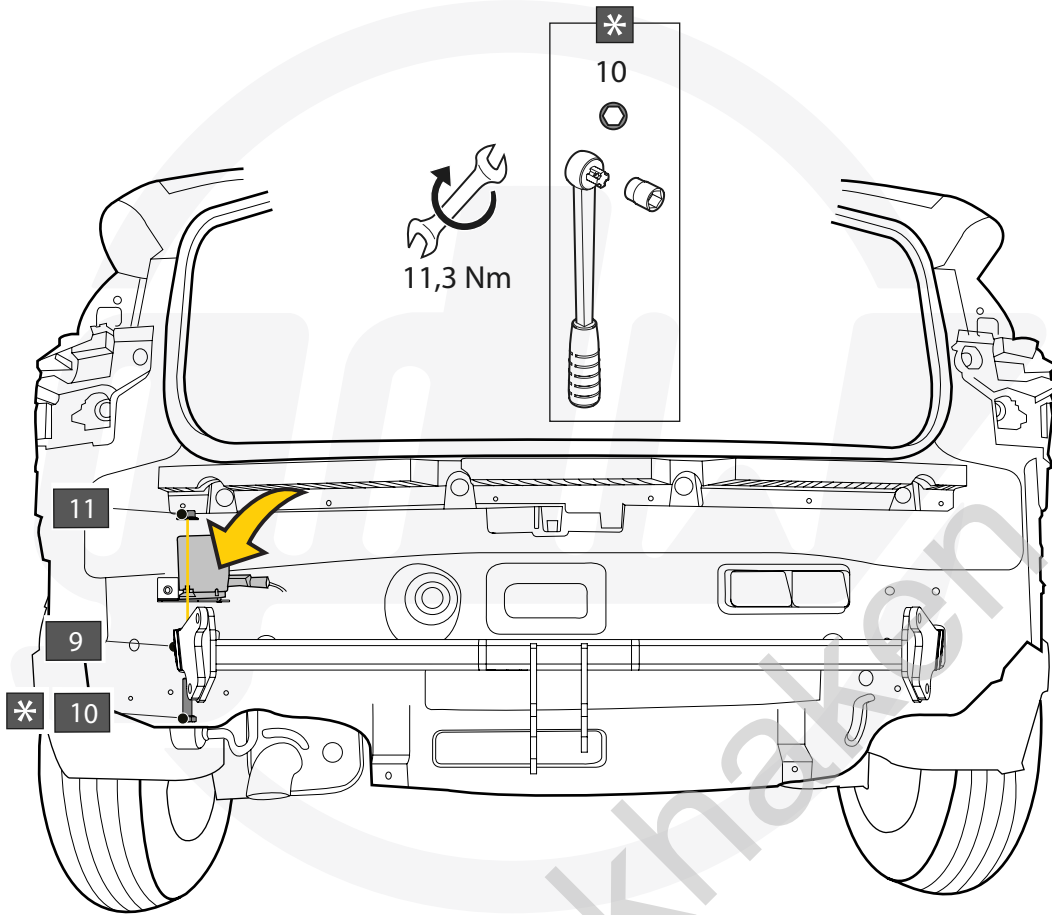


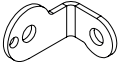




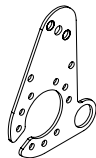
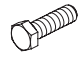
13

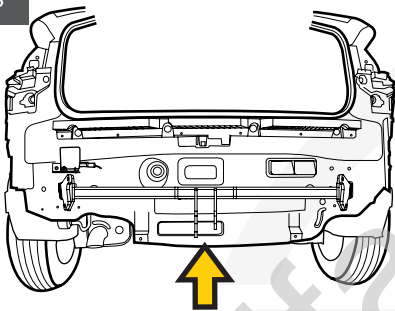
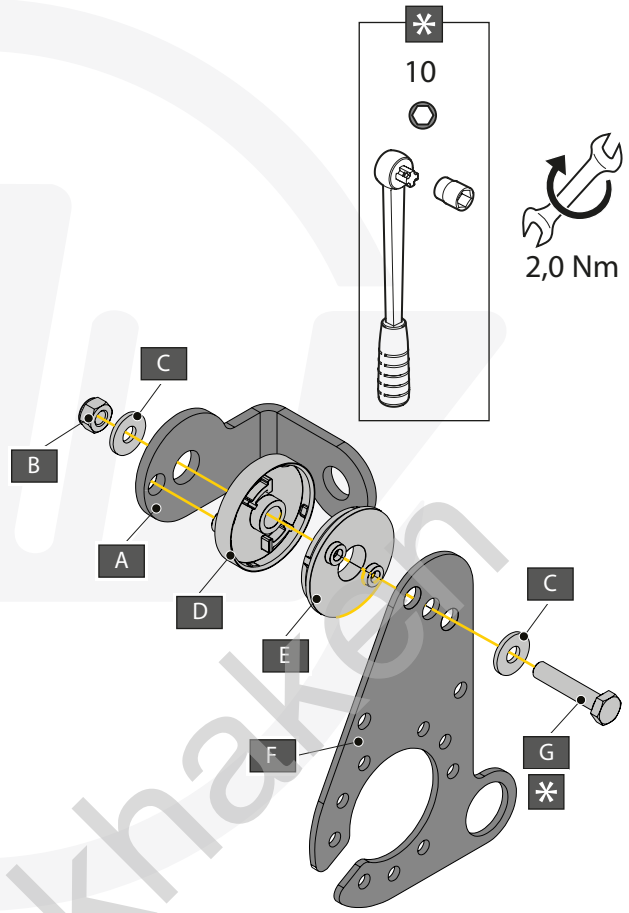


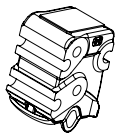




14





A		X1	GDW REF. 908.095
B		X1	DIN985-M6
C		X2	6,2 X 15,4 X 1,6 (NYLON)
D		X1	GDW REF. 718.16.002
E		X1	GDW REF. 718.16.003
F		X1	GDW REF. 908.094
G		X1	DIN933-M6 X 30



A		X1	GDW REF. 912.003
B		X3	DIN931-M12X110-8.8
C		X3	DIN128A-M12
D		X6	DIN125A-M12
E		X3	DIN934-M12

