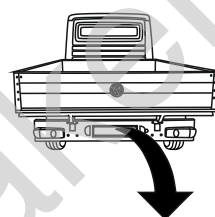


**VW Crafter II**  
**(Skrzyniowy/Box Van) (SZ\_)**  
**(L3-3640mm, L4-4490mm,**  
**pojedyncze koła/single wheels,**  
**napęd przedni/front wheel drive)**

**(11/2016 - →)**

**V-038**

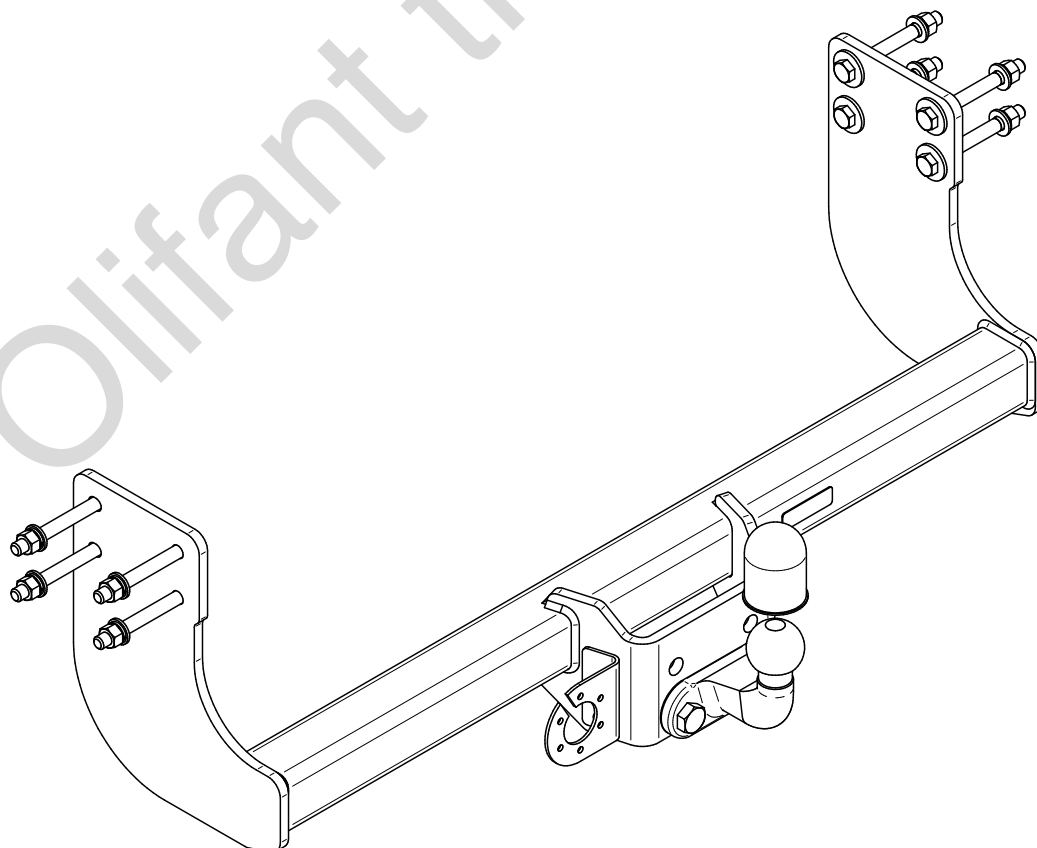
- PL** **Zaczep Kulowy** Instrukcja montażu i eksploatacji
- GB** **Tow bar** Installation and operating instructions
- D** **Die Anhängerkupplung** Montage- und Gebrauchsanleitung
- ES** **Gancho de remolque** Las instrucciones de instalación y de operación
- RU** **Фаркоп** Инструкция по установке и эксплуатации ТСУ
- FR** **Attelage** Notice de montage et d'utilisation
- IT** **Gancio traino** Istruzioni di montaggio
- CZ** **Tažné zařízení** Návod na montáž a použití
- RO** **Cârlig de remorcare** Instrucția de montaj și exploatare
- SE** **Dragkulan** Monterings- och bruksanvisningar.



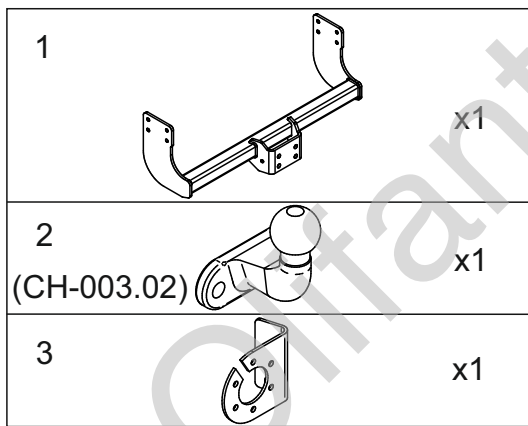
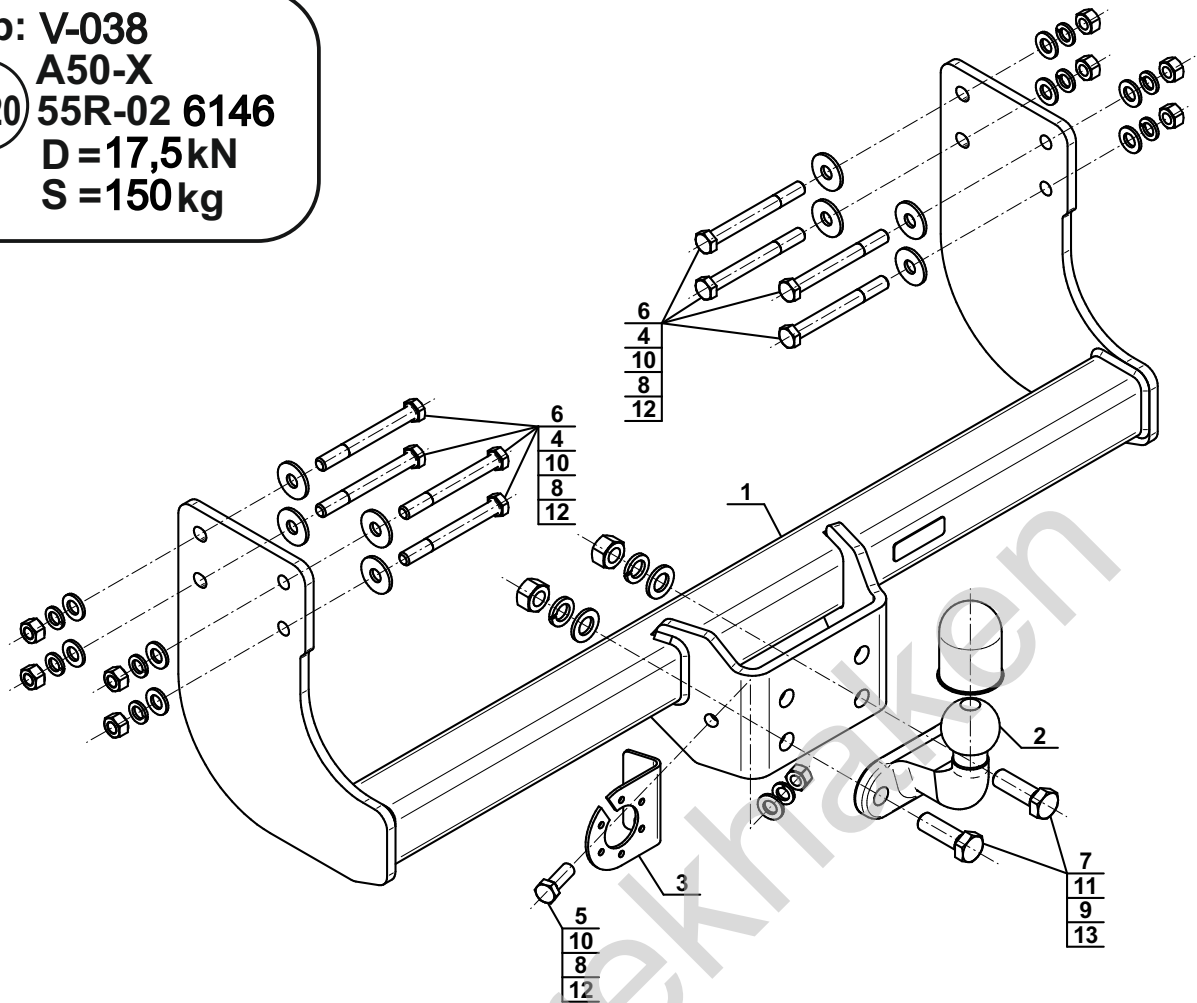
|                          |                          |                                     |
|--------------------------|--------------------------|-------------------------------------|
|                          | YES                      | NO                                  |
| <input type="checkbox"/> | <input type="checkbox"/> | <input checked="" type="checkbox"/> |



|                          |                          |                                     |
|--------------------------|--------------------------|-------------------------------------|
|                          | YES                      | NO                                  |
| <input type="checkbox"/> | <input type="checkbox"/> | <input checked="" type="checkbox"/> |



Typ: V-038  
 A50-X  
 E20 55R-02 6146  
 D = 17,5kN  
 S = 150kg

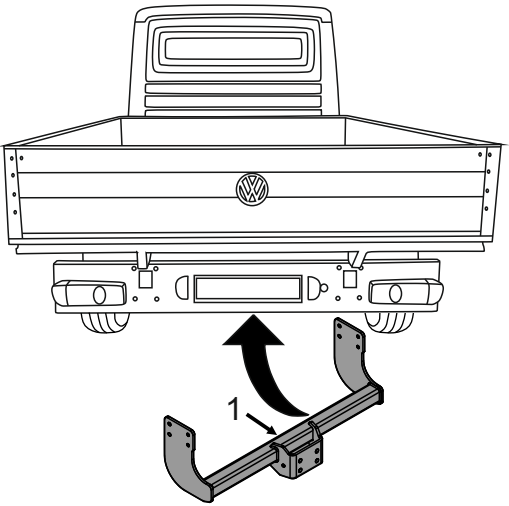


|    |  |                            |    |
|----|--|----------------------------|----|
| 4  |  | Ø34/Ø12,5x3                | x8 |
| 5  |  | M12x35 (PN/M-82105) (8.8)  | x1 |
| 6  |  | M12x110 (PN/M-82101) (8.8) | x8 |
| 7  |  | M16x50 (PN/M-82105) (8.8)  | x2 |
| 8  |  | Ø12,2                      | x9 |
| 9  |  | Ø16,3                      | x2 |
| 10 |  | Ø13,0                      | x9 |
| 11 |  | Ø17,0                      | x2 |
| 12 |  | M12 (8)                    | x9 |
| 13 |  | M16 (8)                    | x2 |

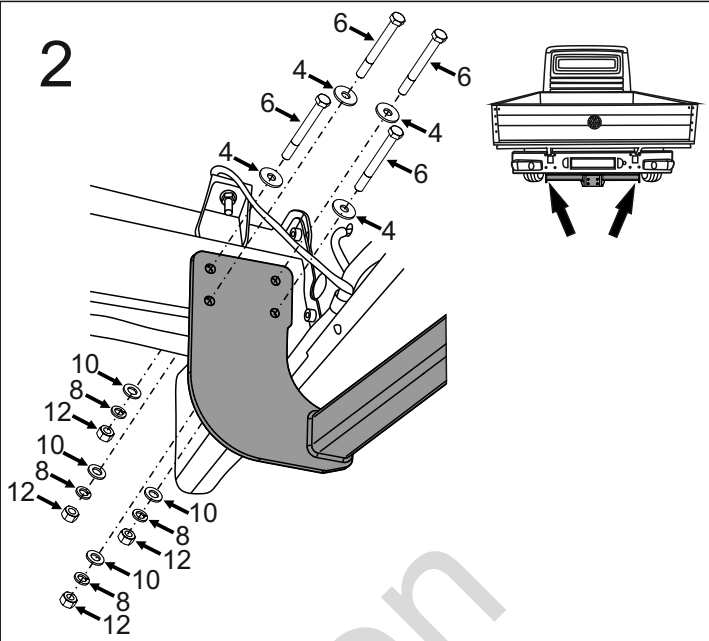


| 8.8           |                |
|---------------|----------------|
| M6 - 10 (Nm)  | M12 - 85 (Nm)  |
| M8 - 25 (Nm)  | M14 - 135 (Nm) |
| M10 - 50 (Nm) | M16 - 200 (Nm) |

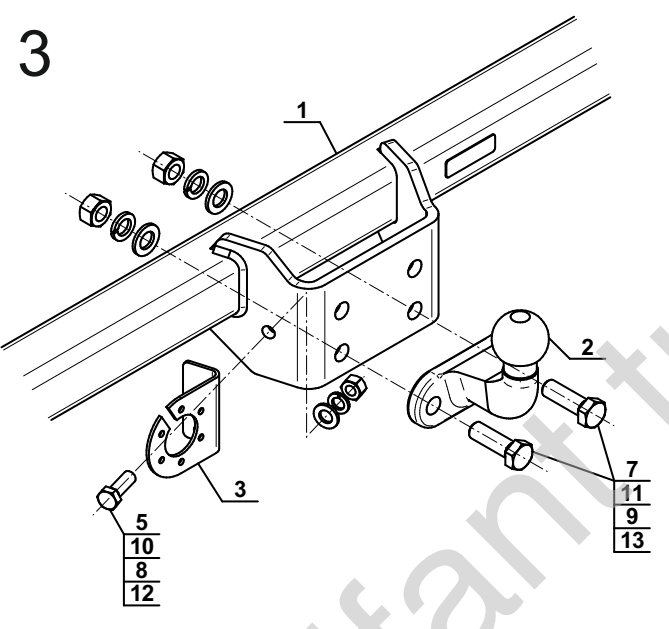
1



2



3



Olifanttrekhaken