

# PPUH AUTO-HAK Sp.J.

Henryk & Zbigniew Nejman  
ul. Słoneczna 16K 76-200 SŁUPSK  
POLAND

tel/fax +48 059 8-414-414; 8-414-413

e-mail: [office@autohak.com.pl](mailto:office@autohak.com.pl)

[www.autohak.com.pl](http://www.autohak.com.pl)



# AUTO-HAK



## VOLKSWAGEN

GOLF V (3/5D, ~~4 Motion~~) - 11.2003 → 08.2008

GOLF VI (3/5D, ~~Typ R~~) - 09.2008 → 08.2012

GOLF V PLUS (5D, VAN) - 02.2005 → 02.2009

GOLF VI PLUS (5D, VAN) - 03.2009 → 05.2014

## AUDI

A3 (3D (8P)) - 05.2003 → 06.2008

Cat. no:

**K44**



E20-55R-01 1193

**D**

9,4 kN



R=1800 kg



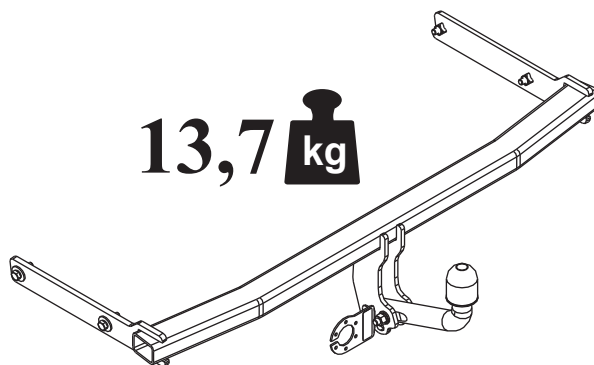
S=100 kg



3h



13,7 kg



M6 - 11 Nm  
M10 - 50 Nm  
M14 - 138 Nm

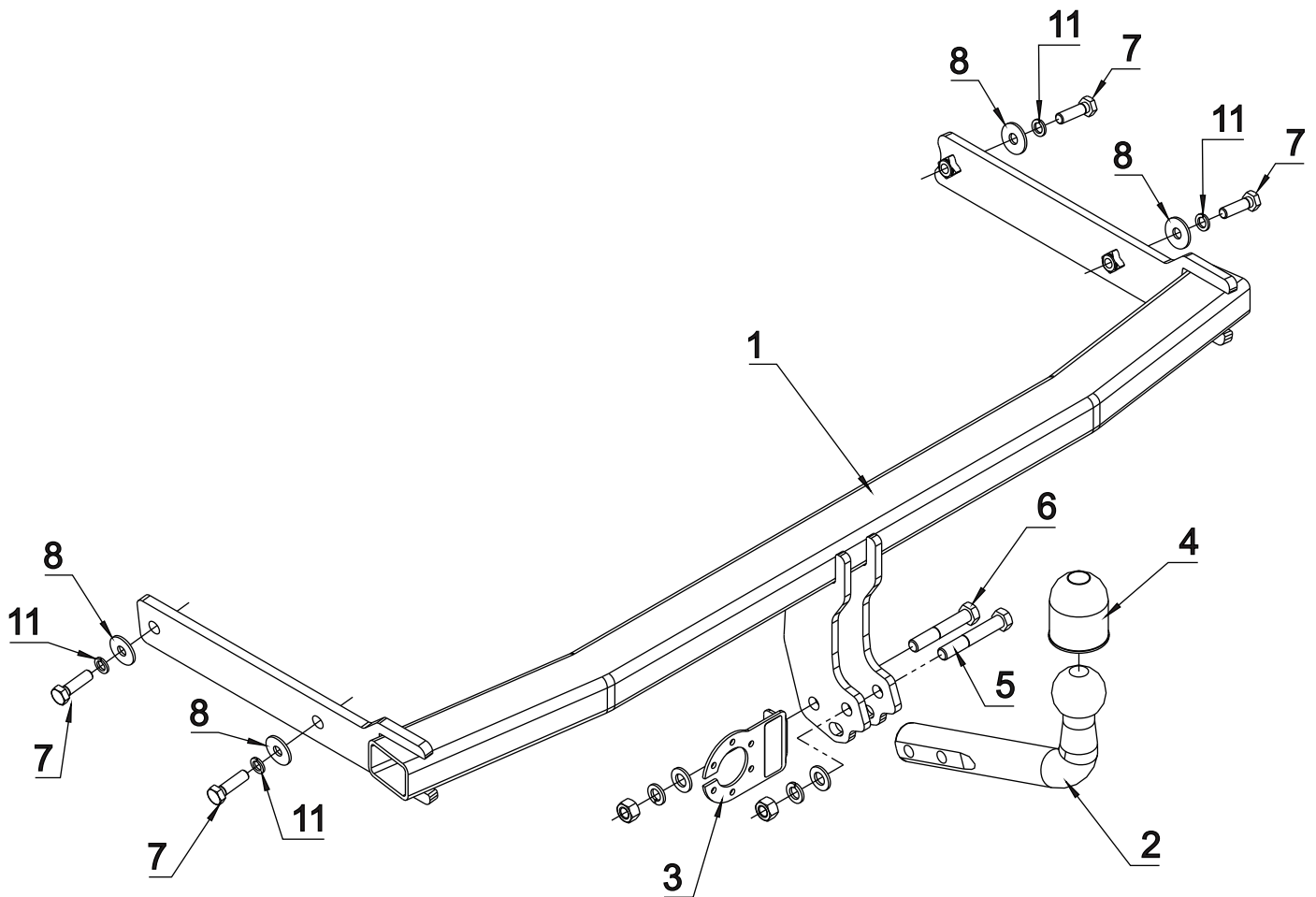
M8 - 25 Nm  
M12 - 87 Nm  
M16 - 210 Nm

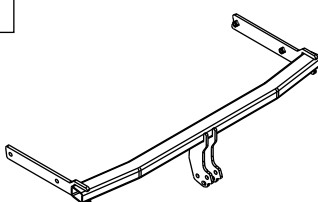
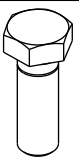
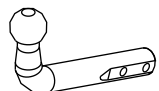

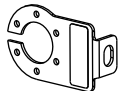




0 km →



1000 km



<b>1</b> 	<b>x 1</b>		<b>5</b> M12x75	<b>x 1</b>
			<b>6</b> M12x70	<b>x 1</b>
			<b>7</b> M10x35	<b>x 4</b>
			<b>8</b> $\phi$ 30x $\phi$ 10.5x2.5 10 (DIN 9021)	<b>x 4</b>
<b>2</b> 	<b>x 1</b>		<b>9</b> $\phi$ 13	<b>x 2</b>
			<b>10</b> $\phi$ 12.2	<b>x 2</b>
<b>3</b> 	<b>x 1</b>		<b>11</b> $\phi$ 10.2	<b>x 4</b>
			<b>12</b> M12	<b>x 2</b>
<b>4</b> 	<b>x 1</b>	