

AUTO-HAK Sp. z o.o.

ul. Słoneczna 16K 76-200 SŁUPSK
POLAND

tel/fax +48 59 8 414 414; +48 59 8 414 413

e-mail: office@autohak.com.pl

www.autohak.com.pl



AUTO-HAK

PEUGEOT 308 SW III

07.2021 →

PEUGEOT 408 II (FP, F3)

07.2022 →

OPEL ASTRA L Sports Tourer

03.2022 →

Nr kat.

F53V



2h

E20

E20*55R02*6612



D

9,40 kN

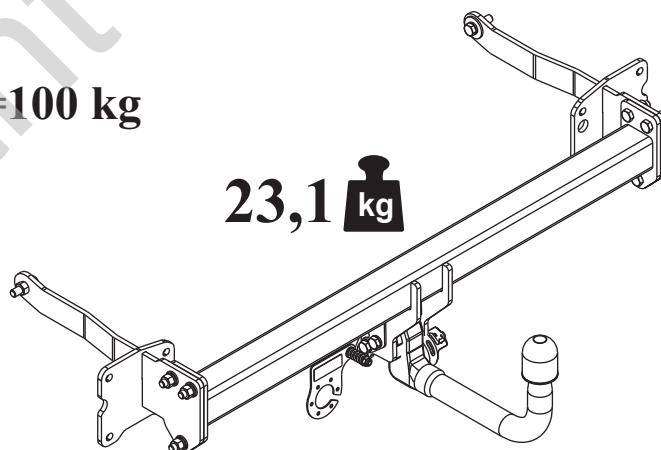


R=1612 kg



S=100 kg

23,1 kg



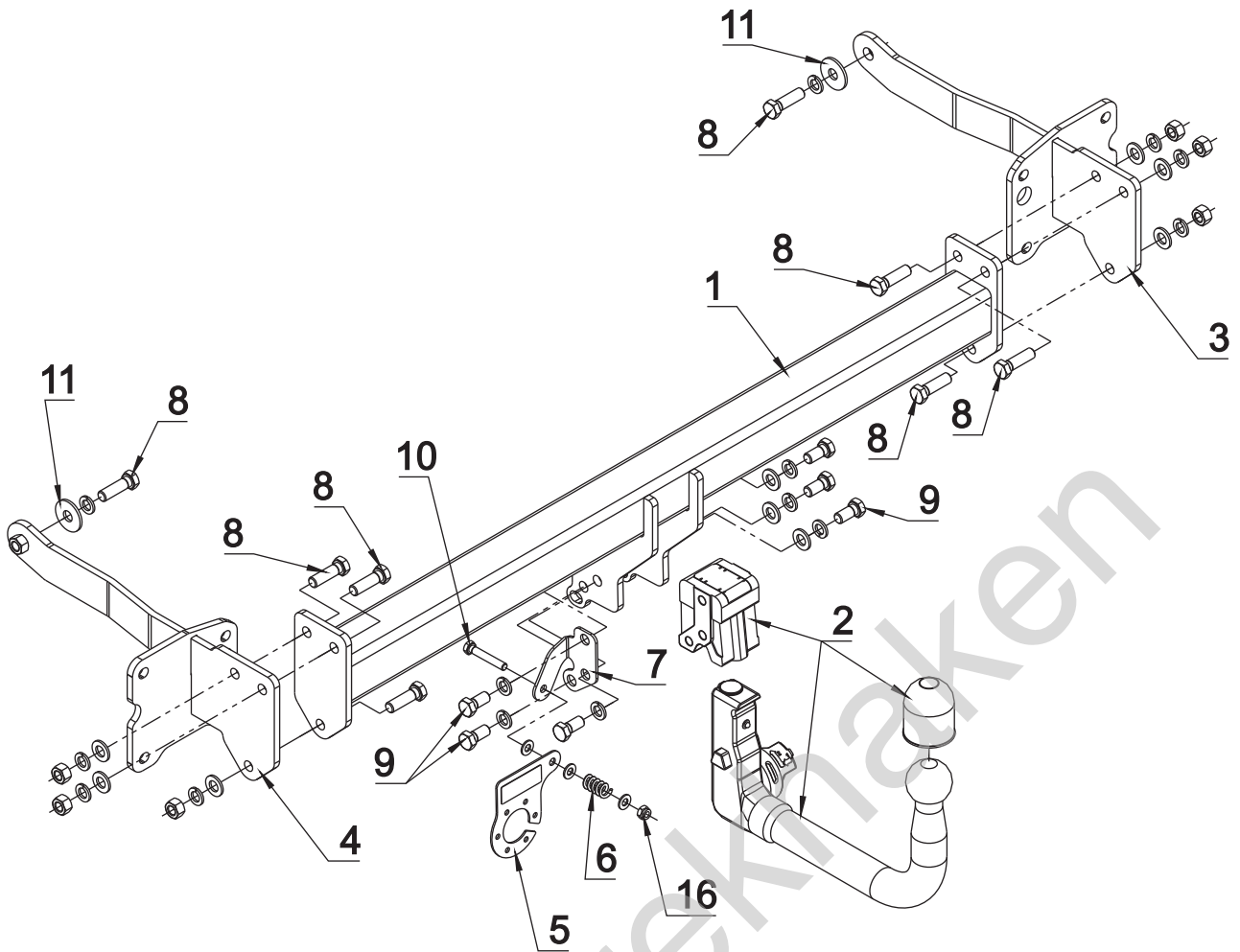
śruba	Nm	M6	M8	M10	M12	M14	M16
klasa 8.8		9,9	24	48	83	132	200
klasa 10.9		14	34	67	117	185	285

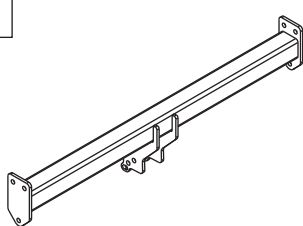









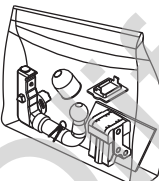

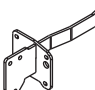

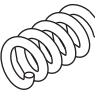



0 km →

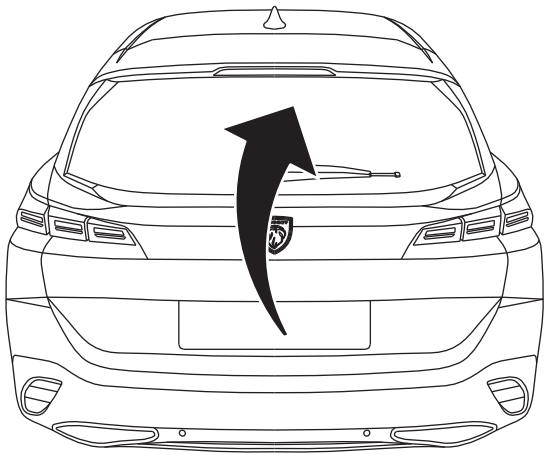


1000 km

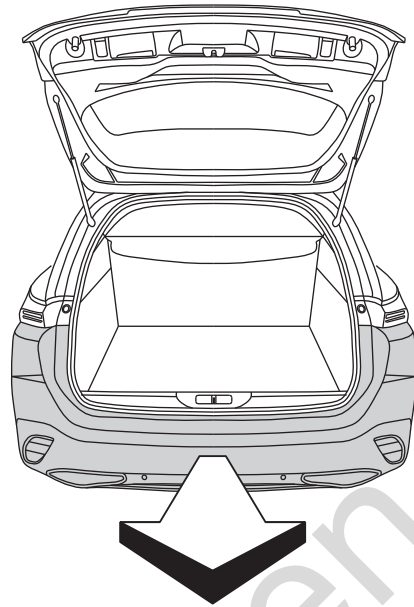


 1	x1	        	8 M12x40	x8
			9 M12x25	x6
			10 M8x50	x1
			11 \varnothing 37x \varnothing 13x3	2
			12 \varnothing 13	x9
			13 \varnothing 8.4	x3
 2	x1		14 \varnothing 12.2	x14
			15 M12	x6
 3	x1			
 4	x1			
 5	x1			
 6	x1			
 7	x1			

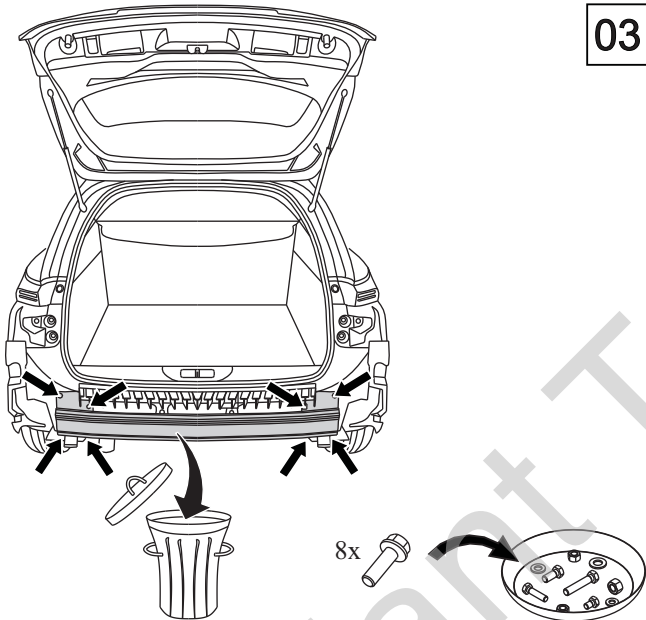
01



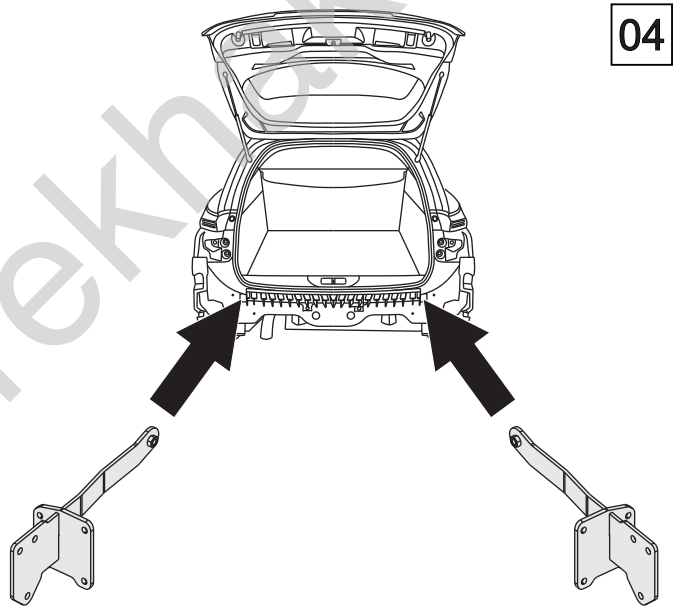
02



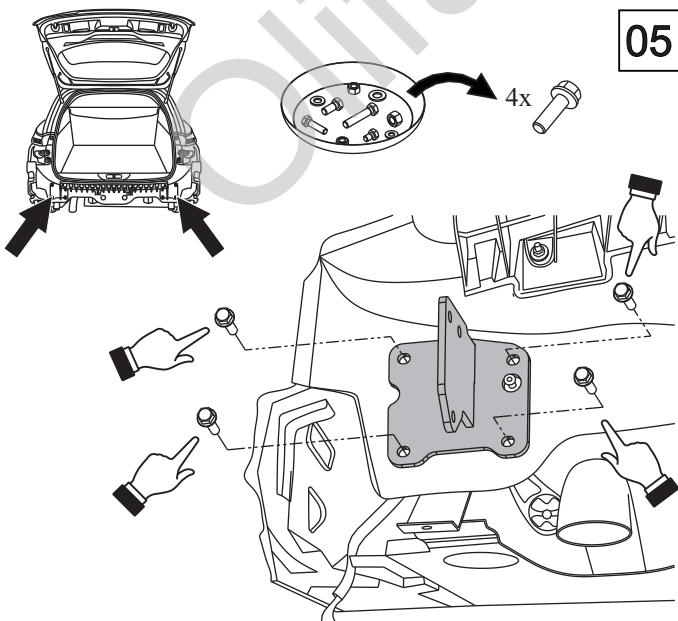
03



04



05



06

