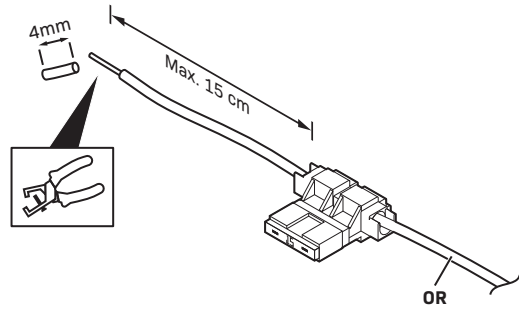
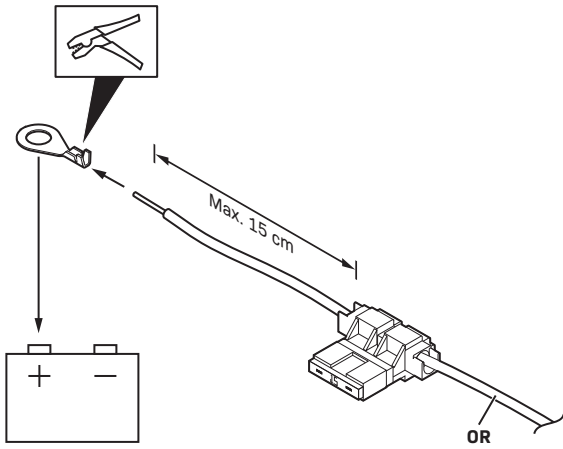


# OPTION 1

+30 



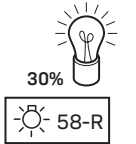
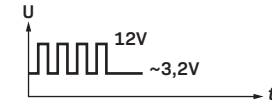
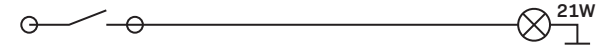
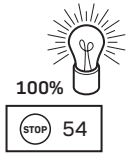
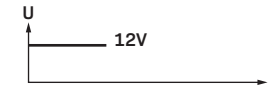
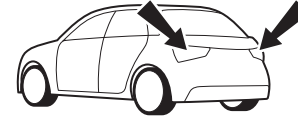
**A**



**B**

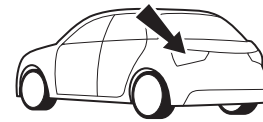
# OPTION 2

With Multiplex / Can-System / Pulse Width Modulation



7

Disclaimer: functionality of this kit may be compromised when installed in vehicles with PWM fog lamp.



 BU / RD

 RD / YE

 L BK / YE

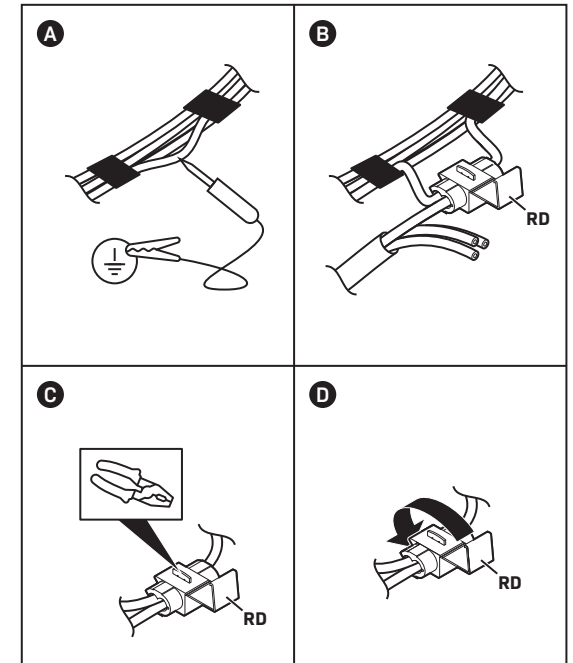
 PE / BK



 BK / BN

 R BK / GN

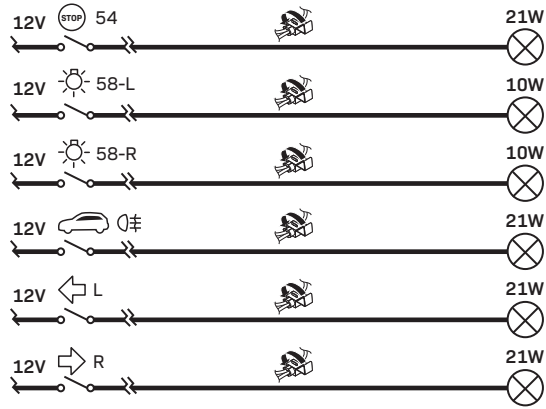
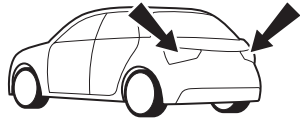
8



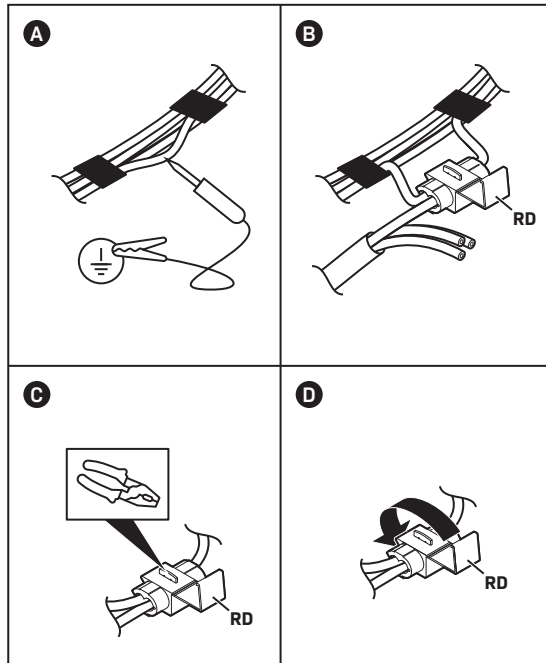
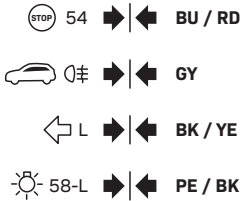
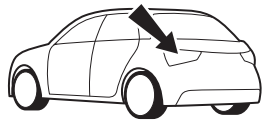
12

# OPTION 1

Without Multiplex / Can-System / Pulse Width Modulation



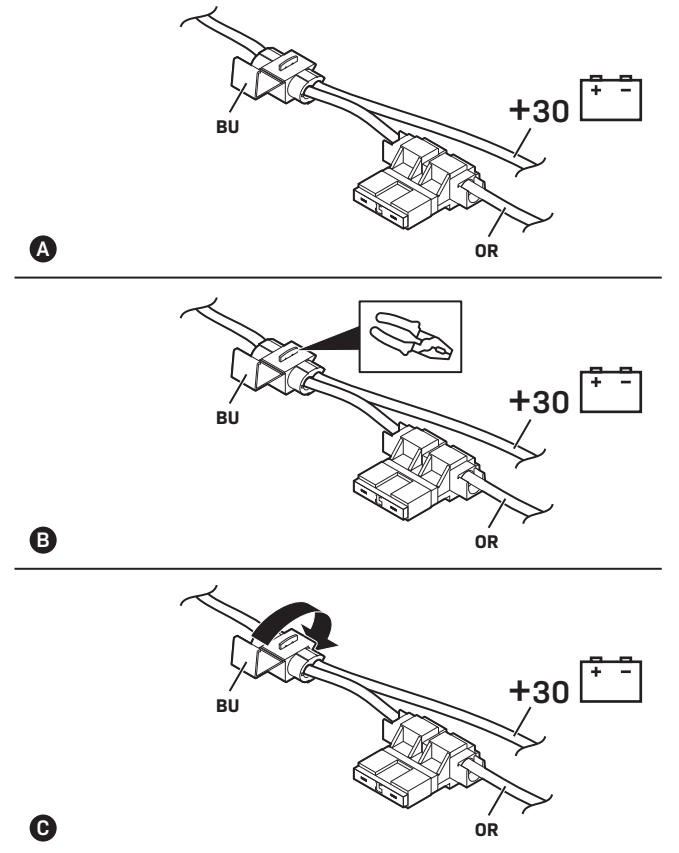
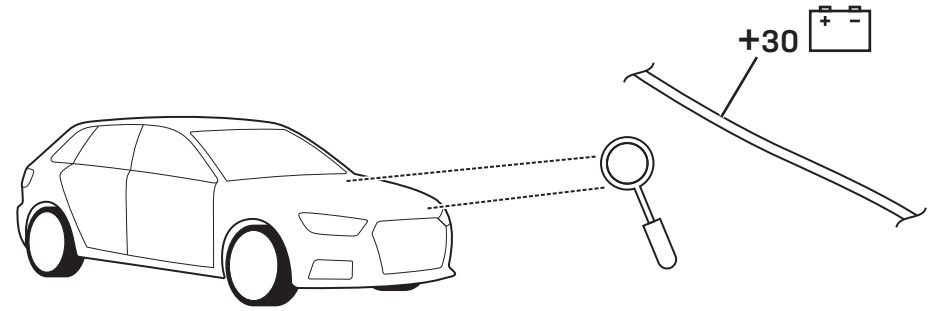
5



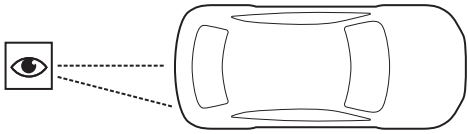
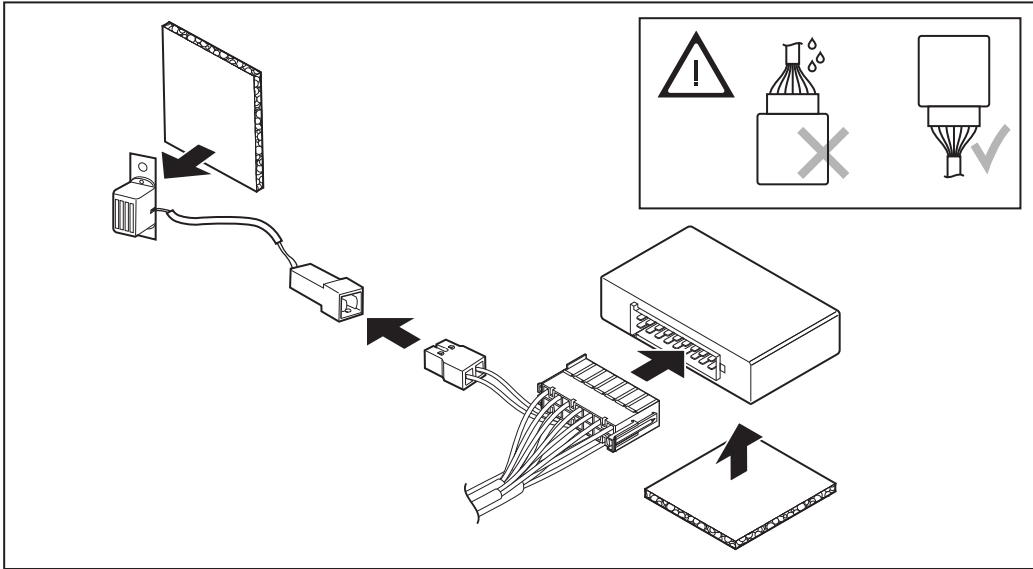
6

# OPTION 2

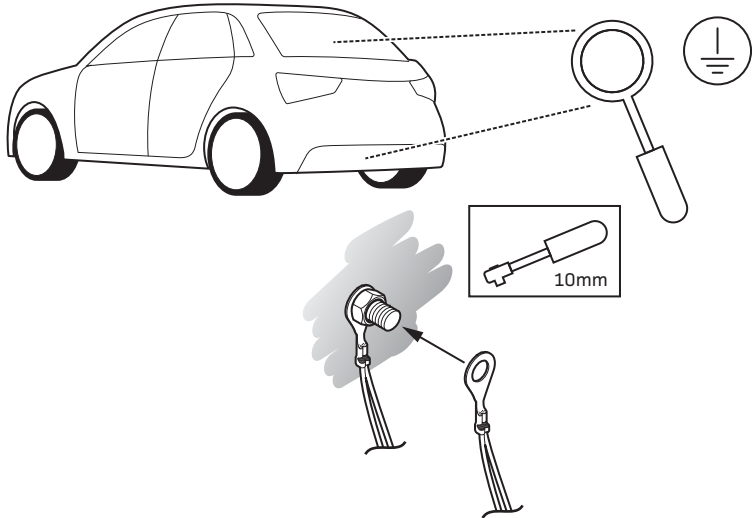
+30



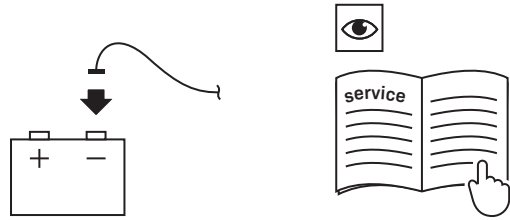
13



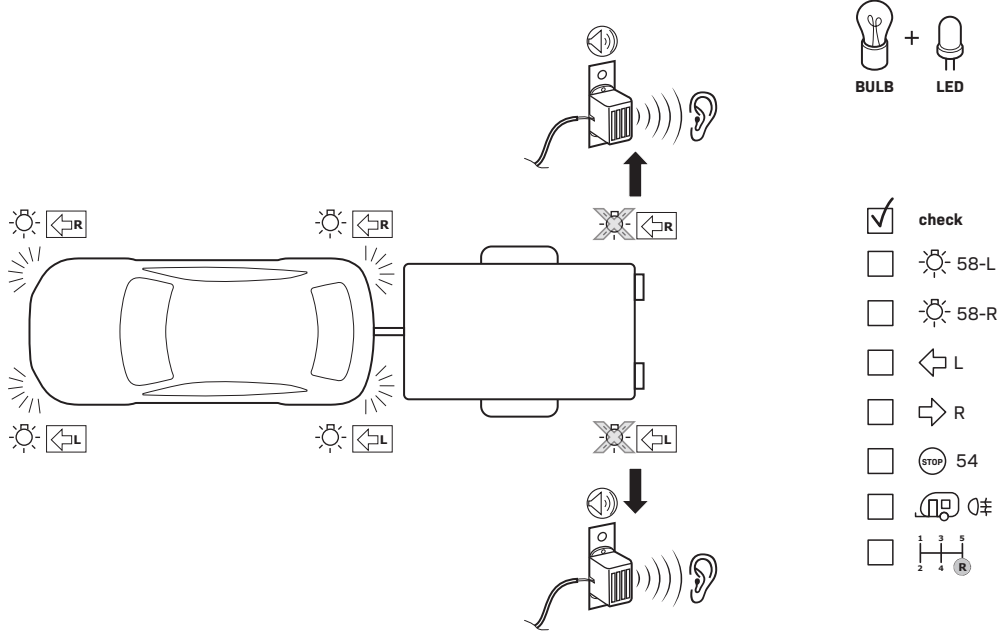
9



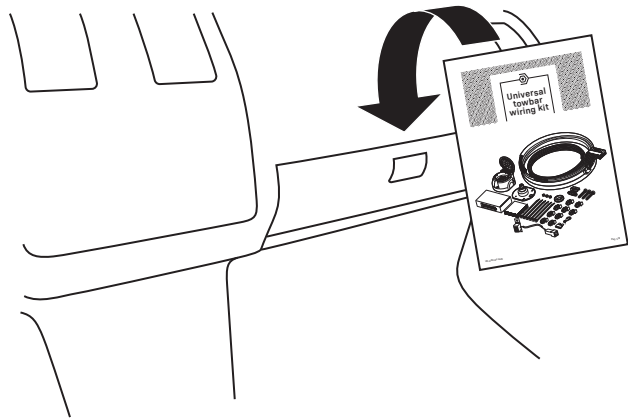
10



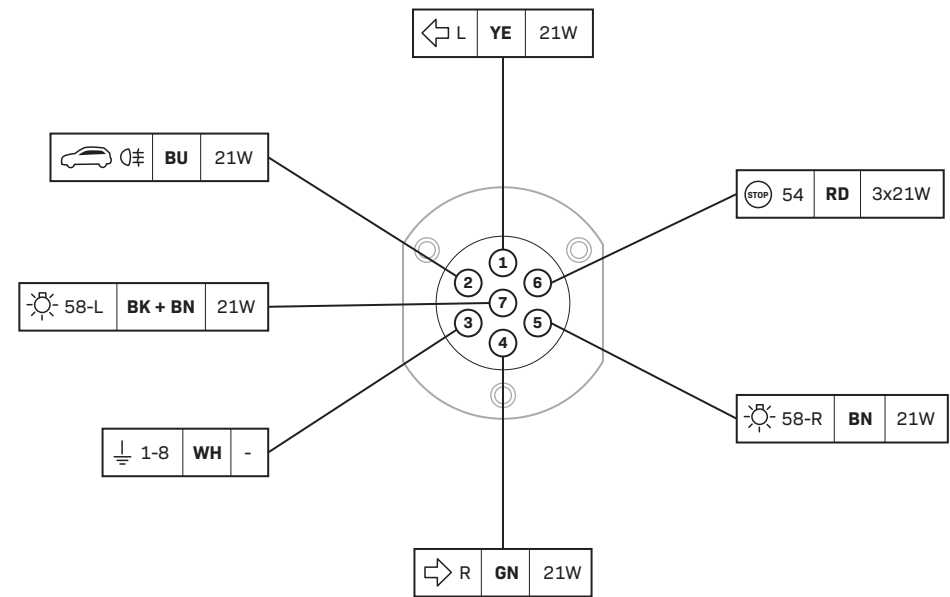
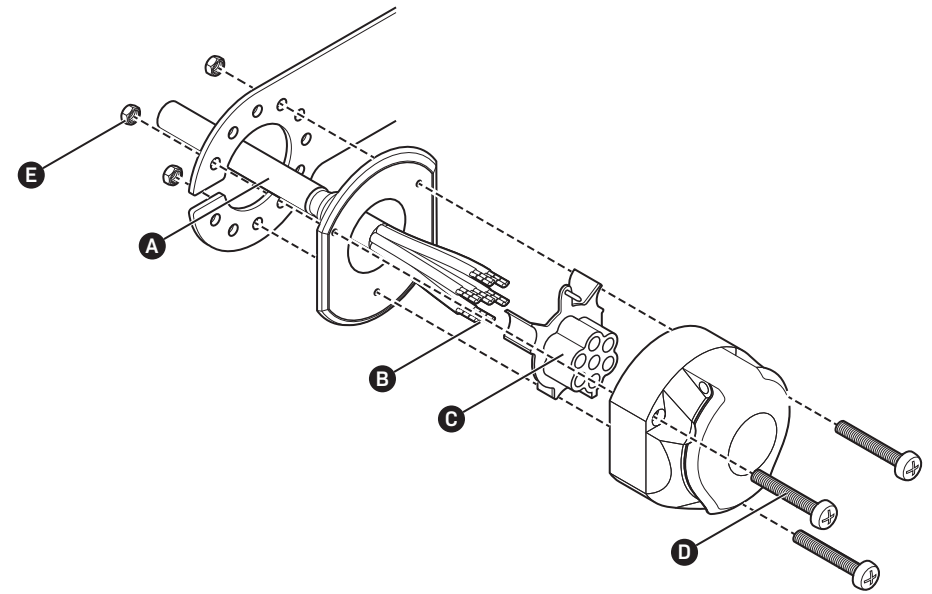
14



15



16



4