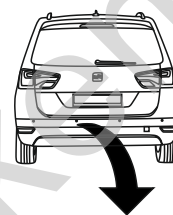


VW Sharan
Seat Alhambra

(09/2010 - 06/2012)
(10/2010 - 06/2012)

V-138

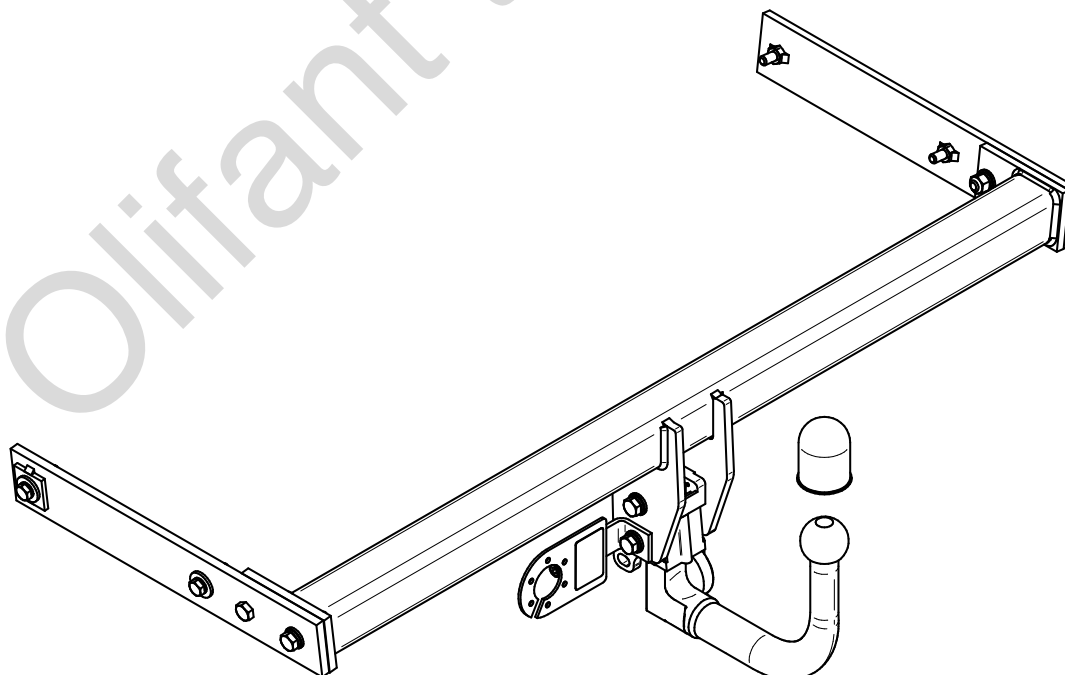
- PL** **Zaczep Kulowy** Instrukcja montażu i eksploatacji
- GB** **Tow bar** Installation and operating instructions
- D** **Die Anhängerkupplung** Montage- und Gebrauchsanleitung
- ES** **Gancho de remolque** Las instrucciones de instalación y de operación
- RU** **Фаркоп** Инструкция по установке и эксплуатации ТСУ
- FR** **Attelage** Notice de montage et d'utilisation
- IT** **Gancio traino** Istruzioni di montaggio
- CZ** **Tažné zařízení** Návod na montáž a použití
- RO** **Cârlig de remorcare** Instrucția de montaj și exploatare
- SE** **Dragkulan** Monterings- och bruksanvisningar.



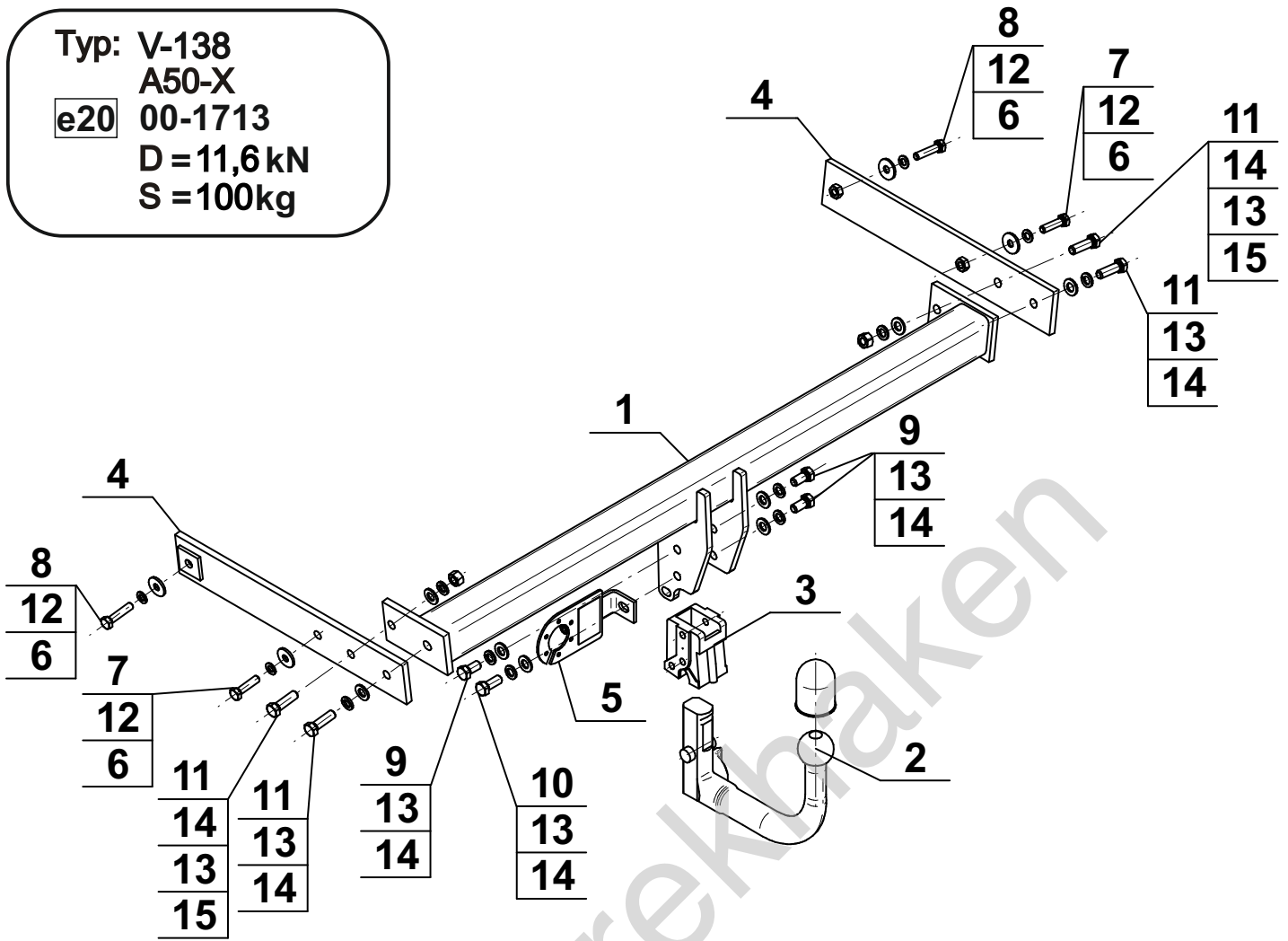
YES NO



YES NO



Typ: V-138
 A50-X
 e20 00-1713
 D = 11,6 kN
 S = 100kg



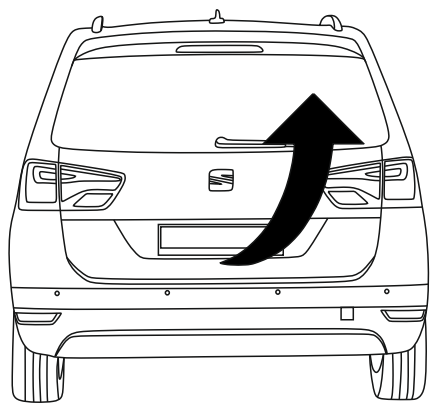
| | | |
|---|-----------------|----|
| 1 | | x1 |
| 2 | | x1 |
| 3 | | x1 |
| 4 | | x2 |
| 5 | (CZ-050.00) | x1 |

| | | | |
|----|--|---------------------------|----|
| 6 | | Ø30/Ø10,5x3 | x4 |
| 7 | | M10x40 (PN/M-82105) (8.8) | x2 |
| 8 | | M10x45 (PN/M-82105) (8.8) | x2 |
| 9 | | M12x25 (PN/M-82105) (8.8) | x3 |
| 10 | | M12x30 (PN/M-82105) (8.8) | x1 |
| 11 | | M12x40 (PN/M-82105) (8.8) | x4 |
| 12 | | Ø10,2 | x4 |
| 13 | | Ø12,2 | x8 |
| 14 | | Ø13,0 | x8 |
| 15 | | M12 (8) | x2 |

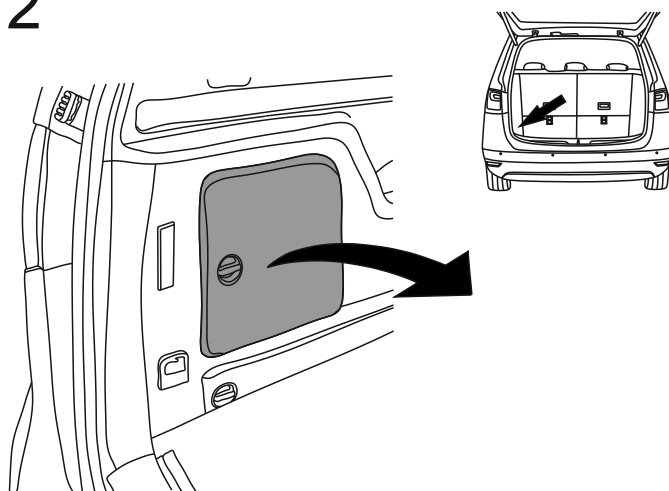


| 8.8 | |
|---------------|----------------|
| M6 - 10 (Nm) | M12 - 85 (Nm) |
| M8 - 25 (Nm) | M14 - 135 (Nm) |
| M10 - 50 (Nm) | M16 - 200 (Nm) |

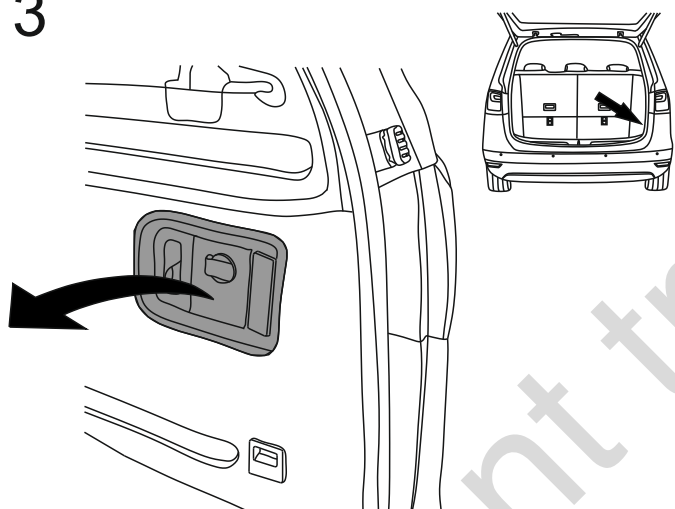
1



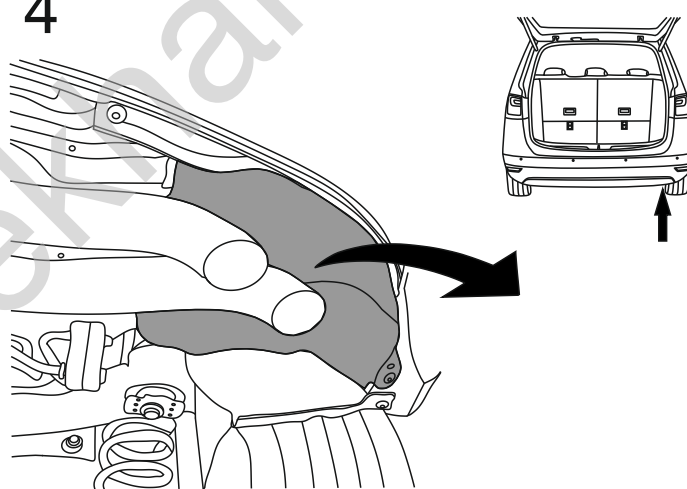
2



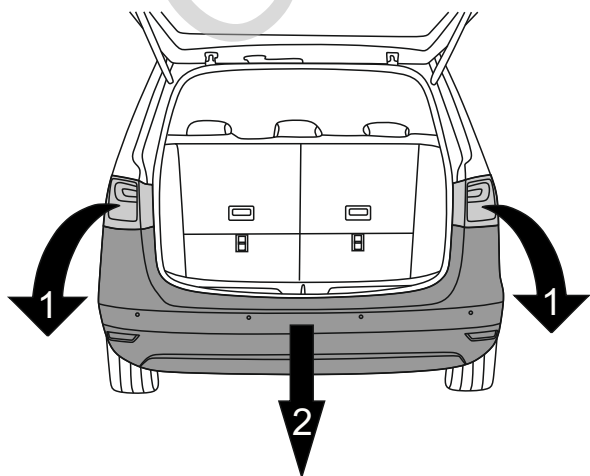
3



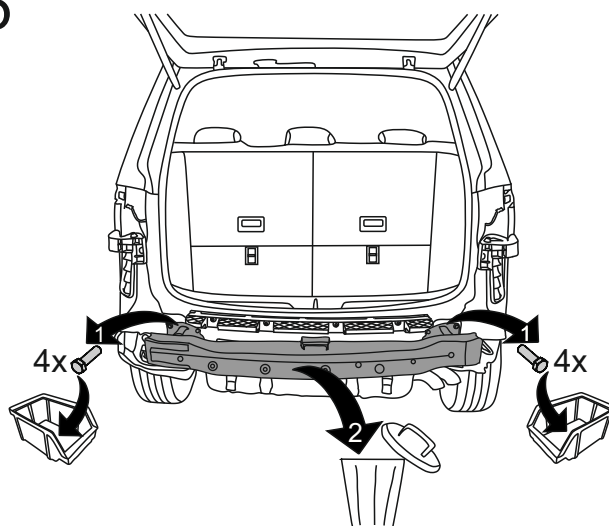
4



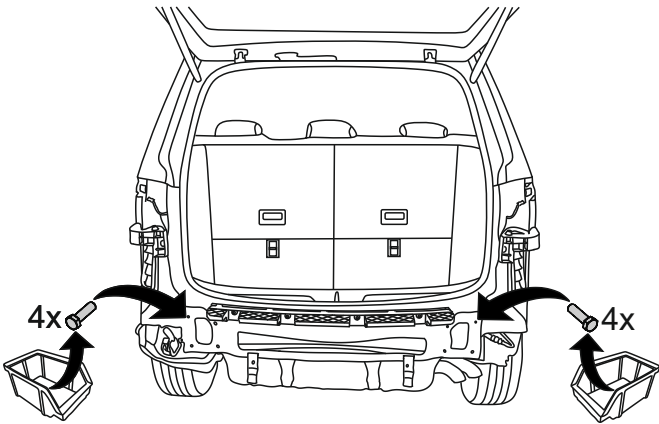
5



6

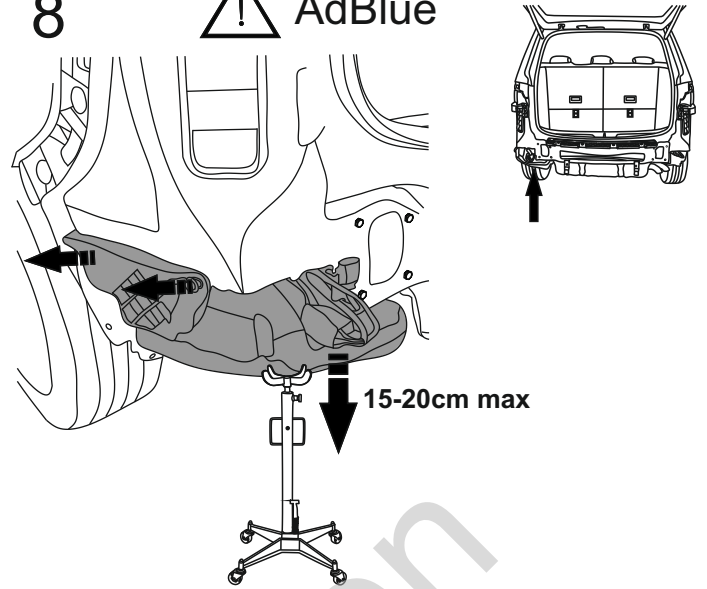


7

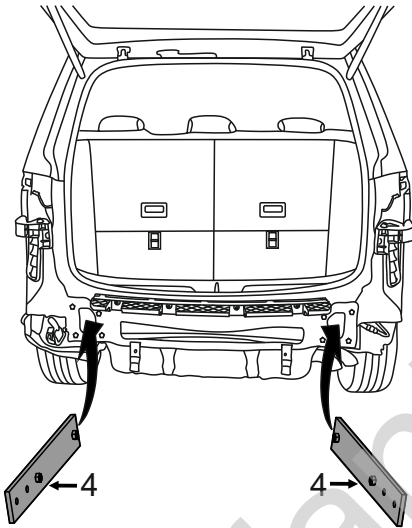


8

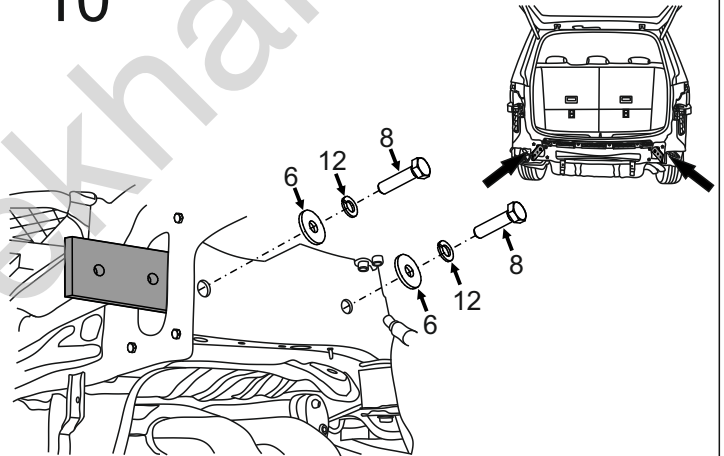
⚠ AdBlue



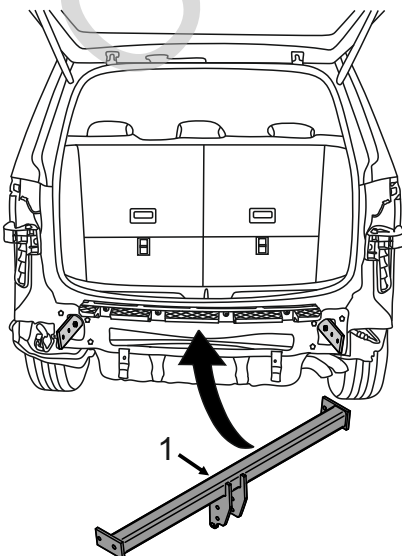
9



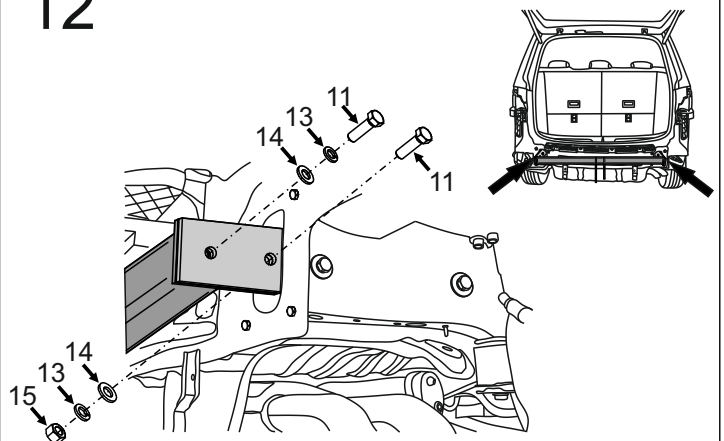
10

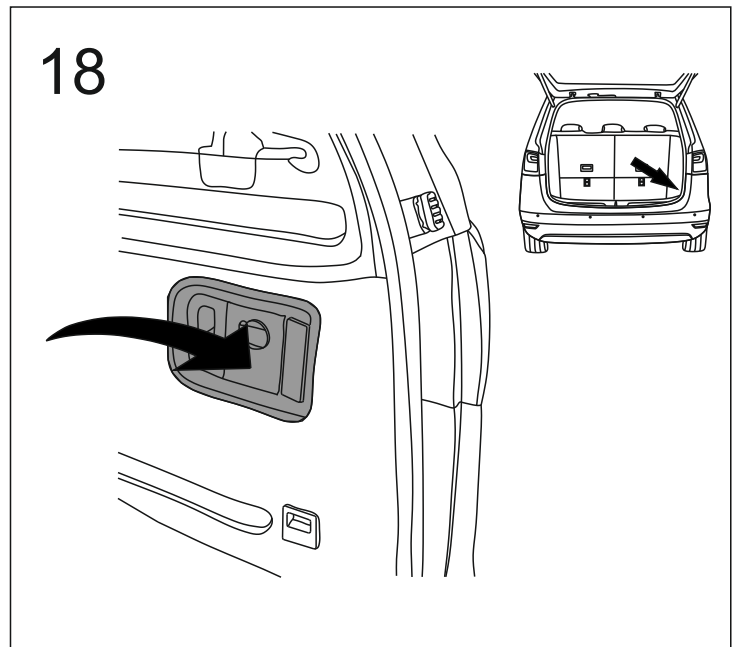
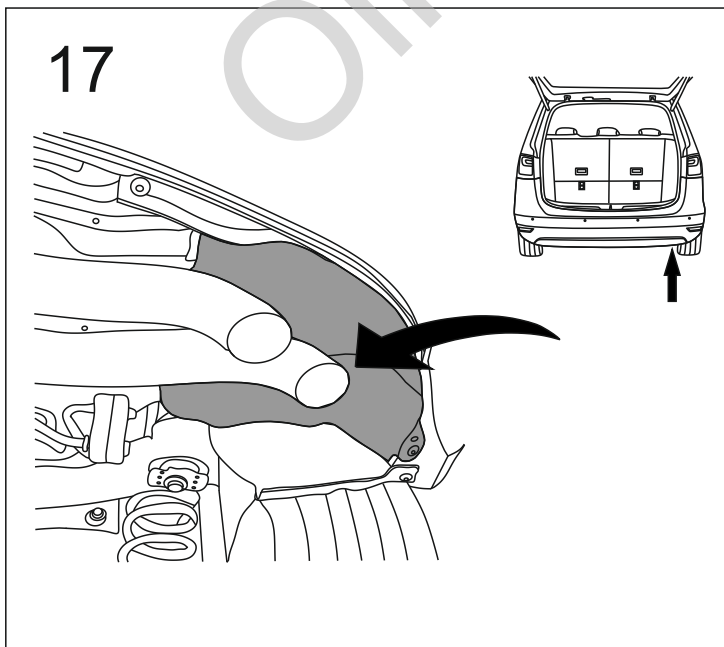
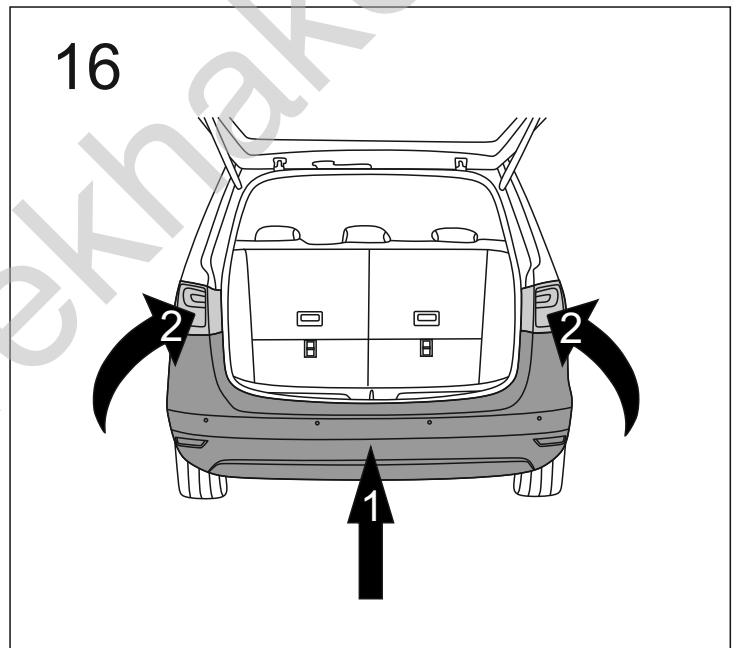
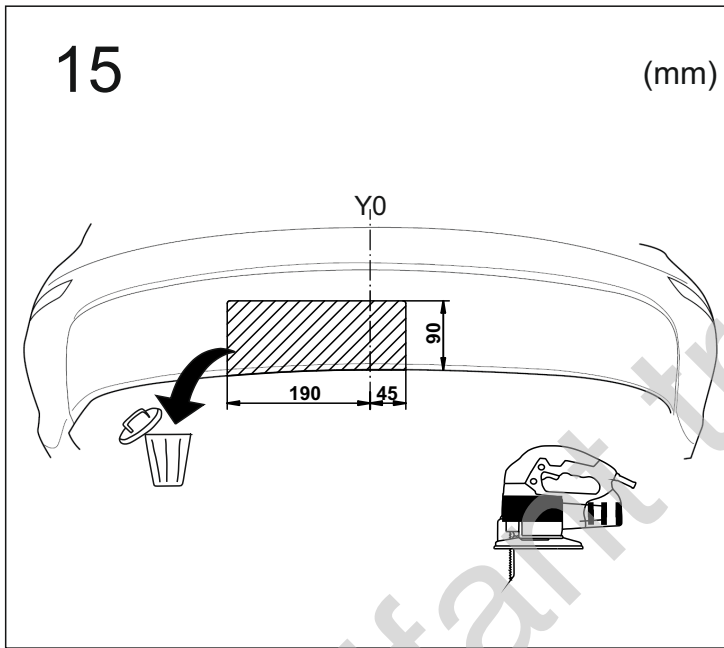
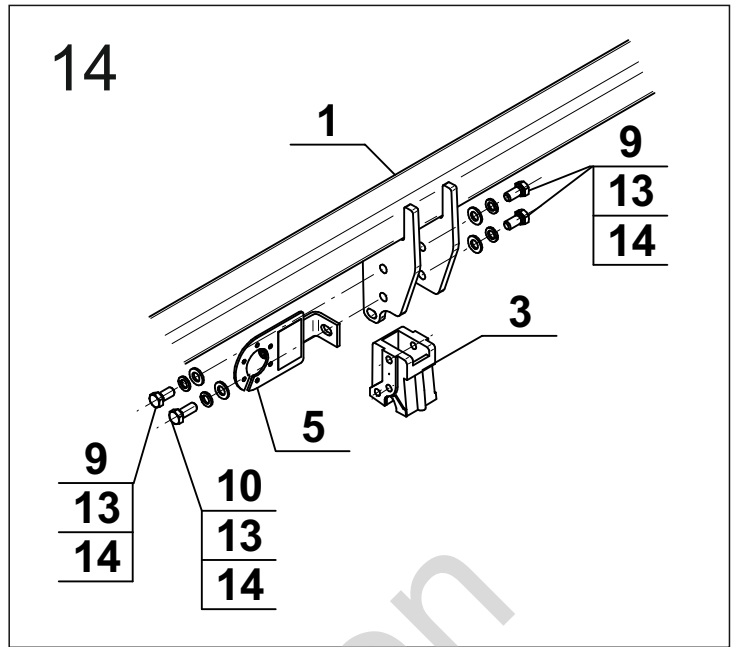
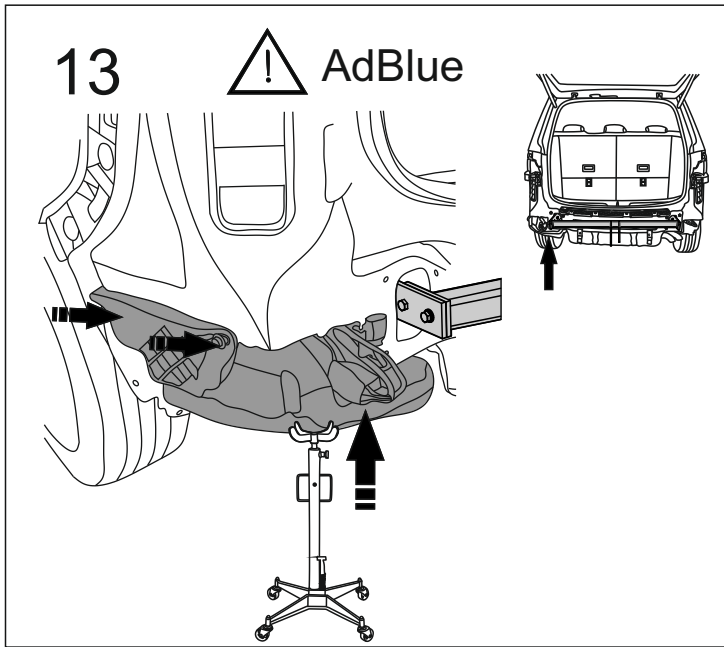


11

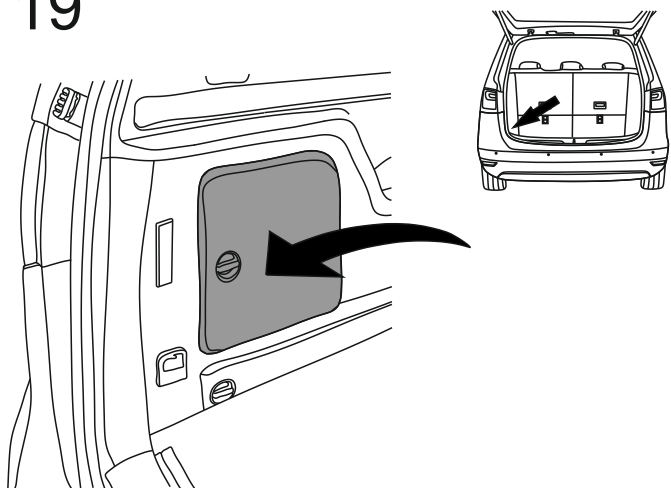


12

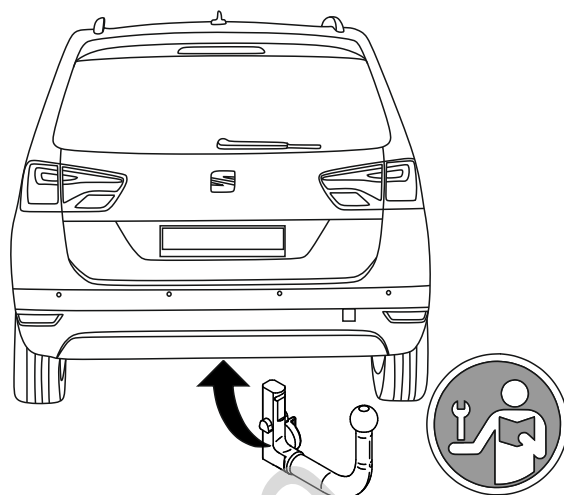




19



20



Olifant trekhaken