

Ssangyong Rexton

(2014 - 2017)

S-467

- PL** **Zaczep Kulowy** Instrukcja montażu i eksploatacji
- GB** **Tow bar** Installation and operating instructions
- D** **Die Anhängerkupplung** Montage- und Gebrauchsanleitung
- ES** **Gancho de remolque** Las instrucciones de instalación y de operación
- RU** **Фаркоп** Инструкция по установке и эксплуатации ТСУ
- FR** **Attelage** Notice de montage et d'utilisation
- IT** **Gancio traino** Istruzioni di montaggio
- CZ** **Tažné zařízení** Návod na montáž a použití
- RO** **Cârlig de remorcare** Instrucția de montaj și exploatare
- SE** **Dragkulan** Monterings- och bruksanvisningar.



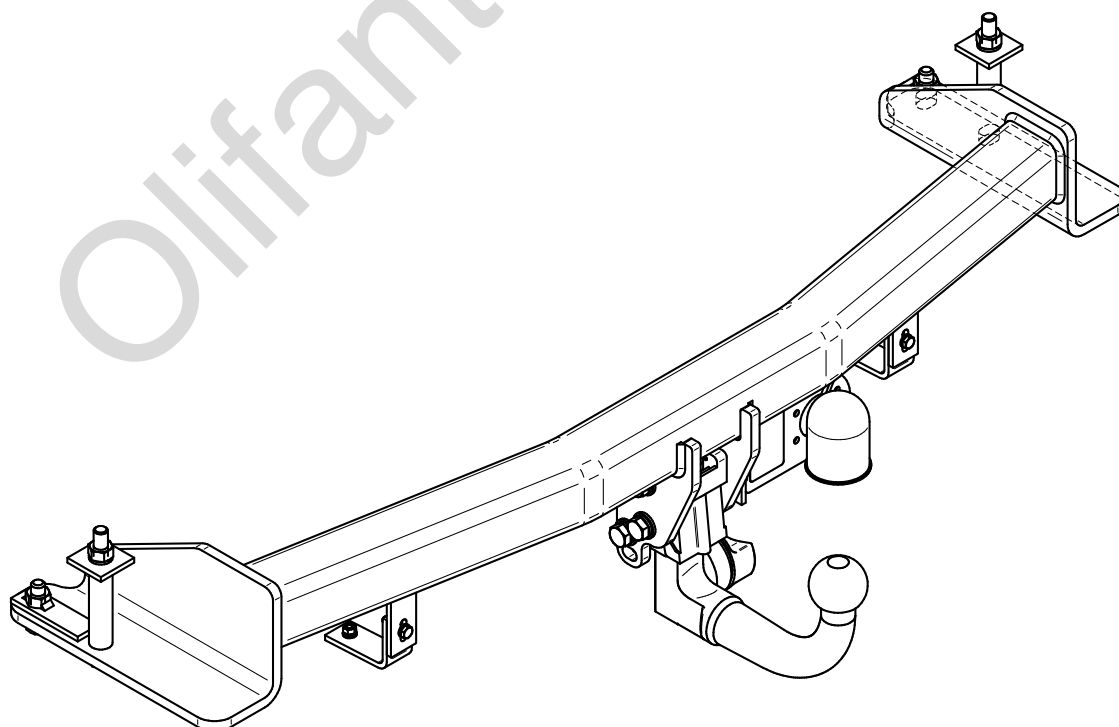
YES

NO

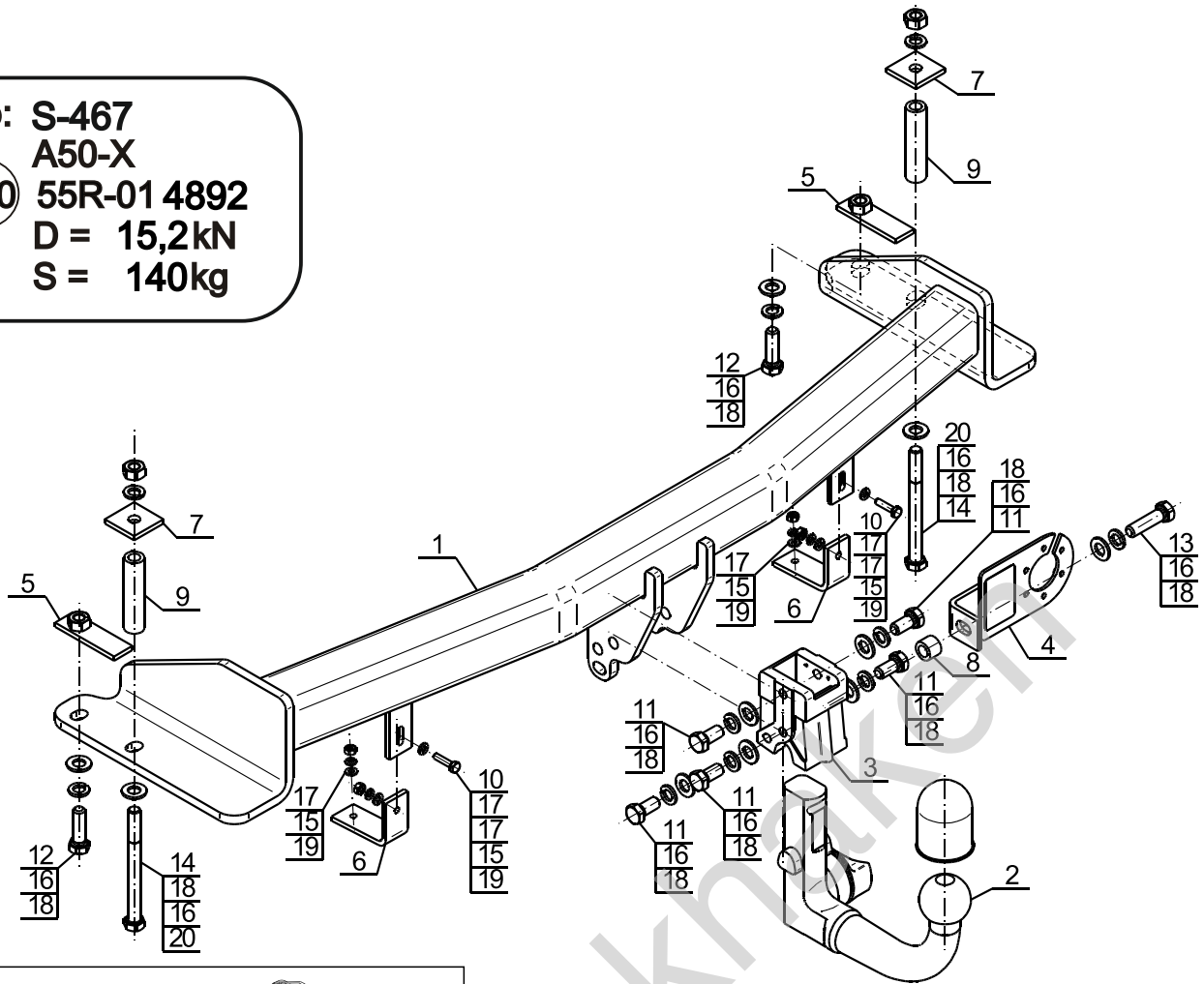


YES

NO



Typ: S-467
 A50-X
 E20 55R-01 4892
 D = 15,2kN
 S = 140kg

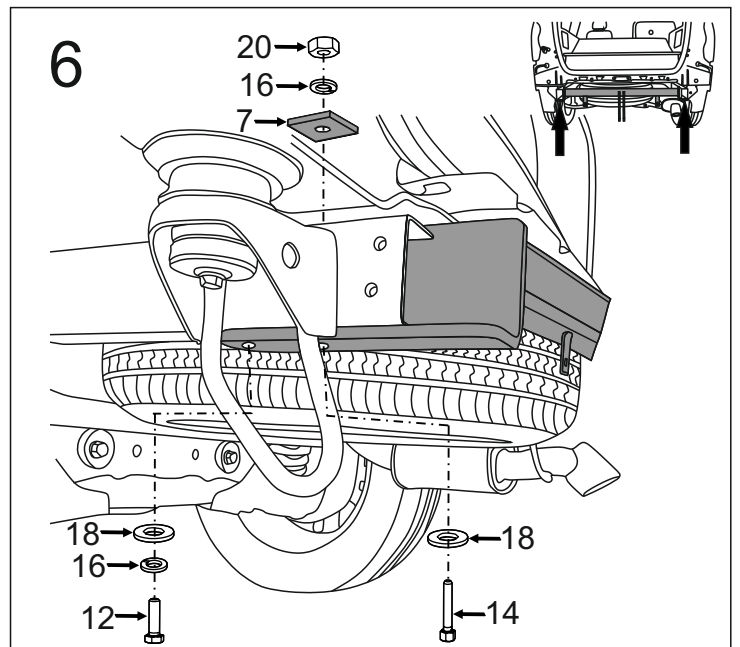
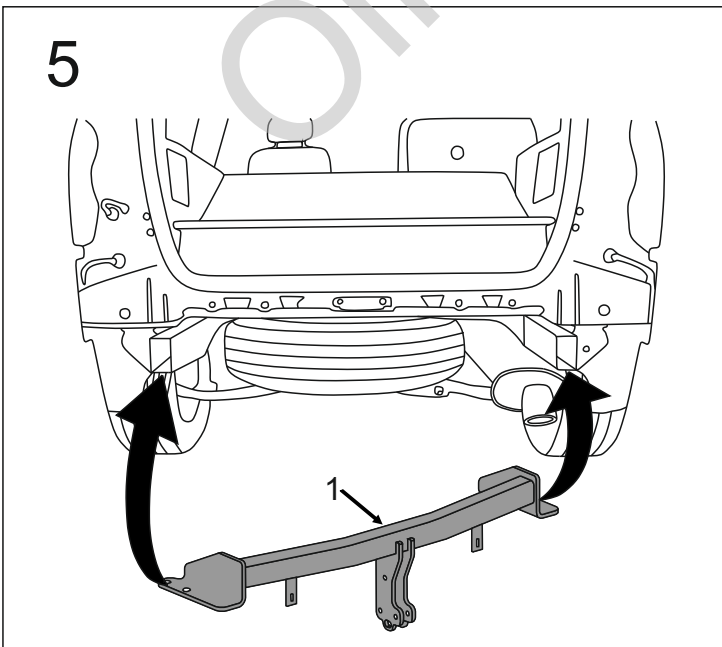
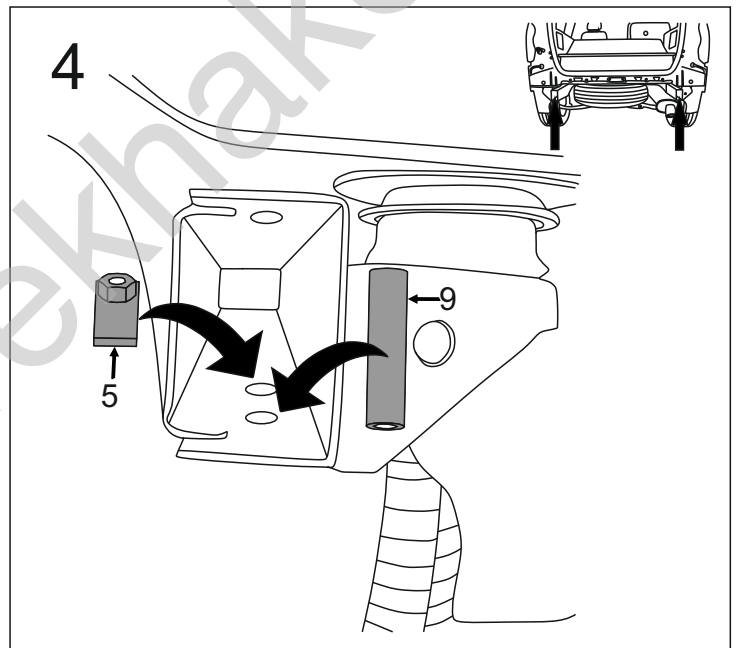
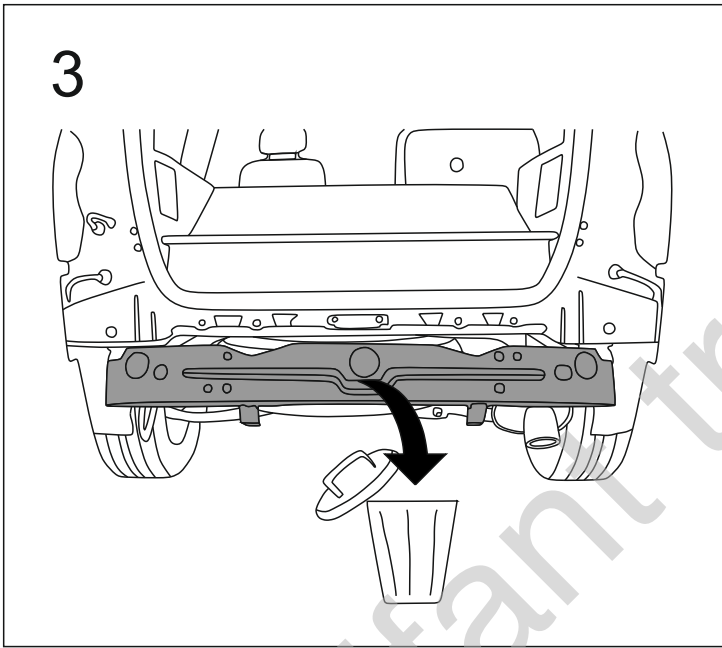
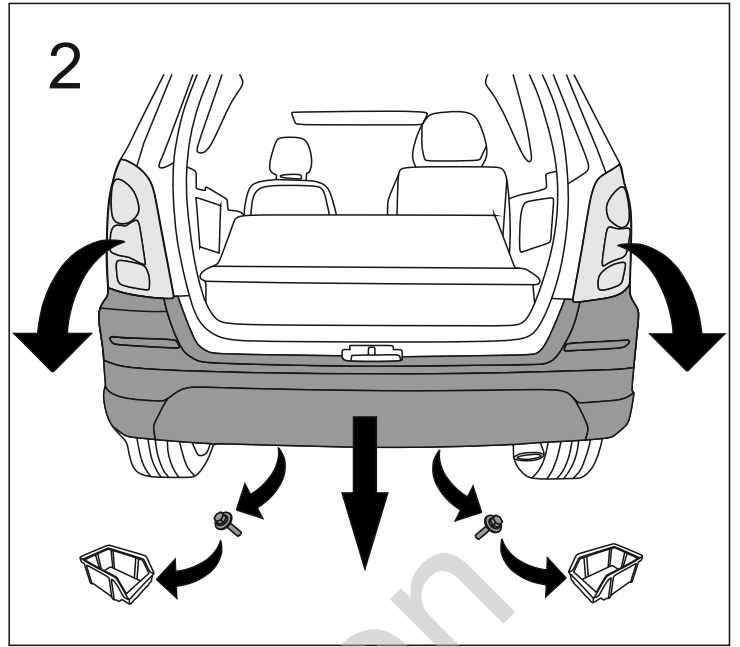
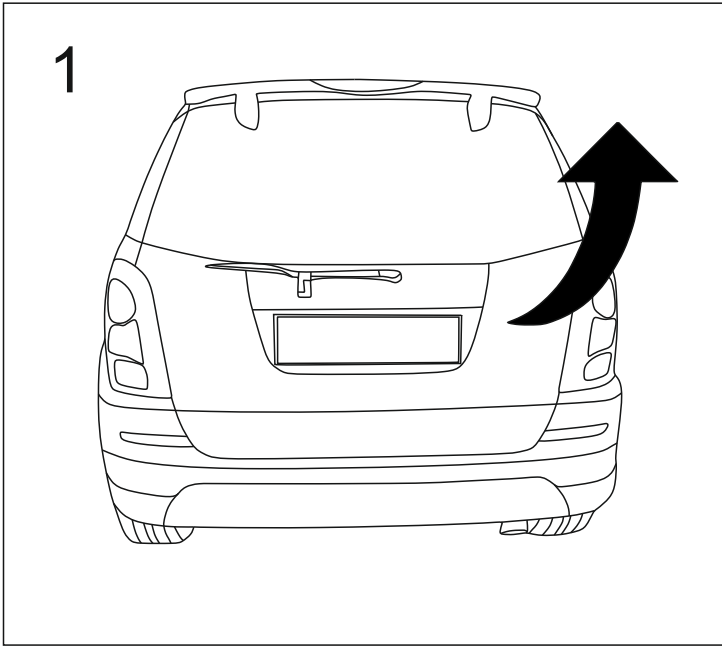


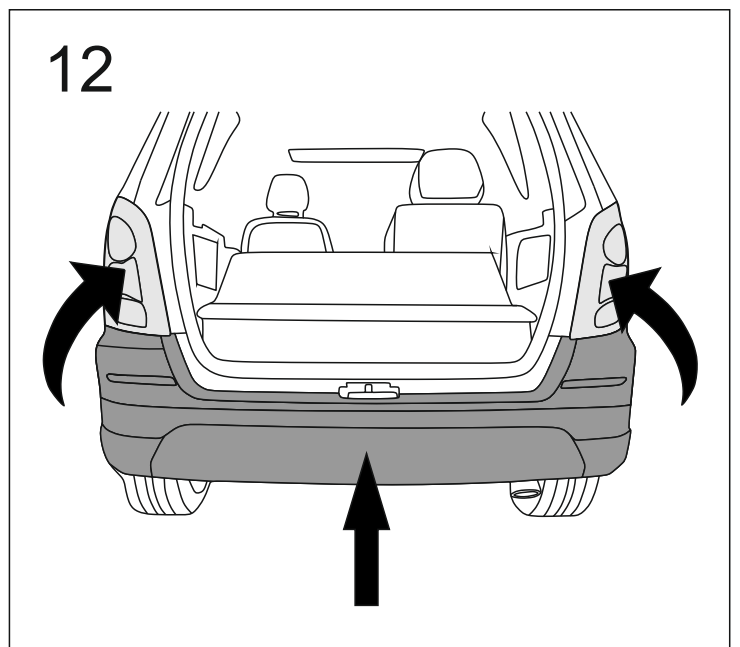
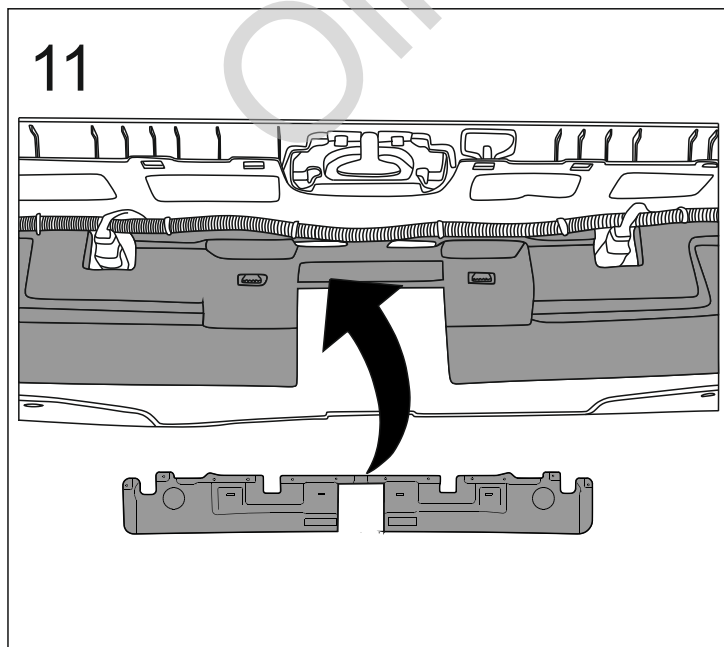
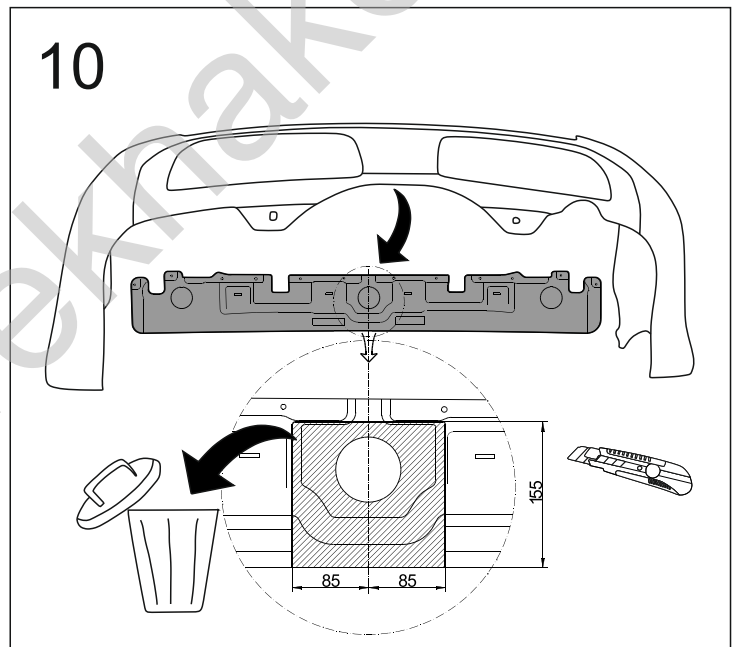
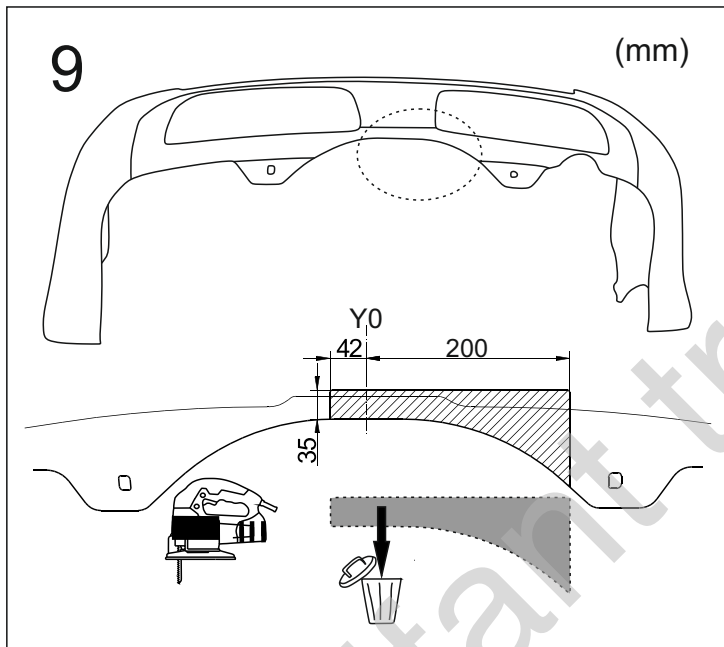
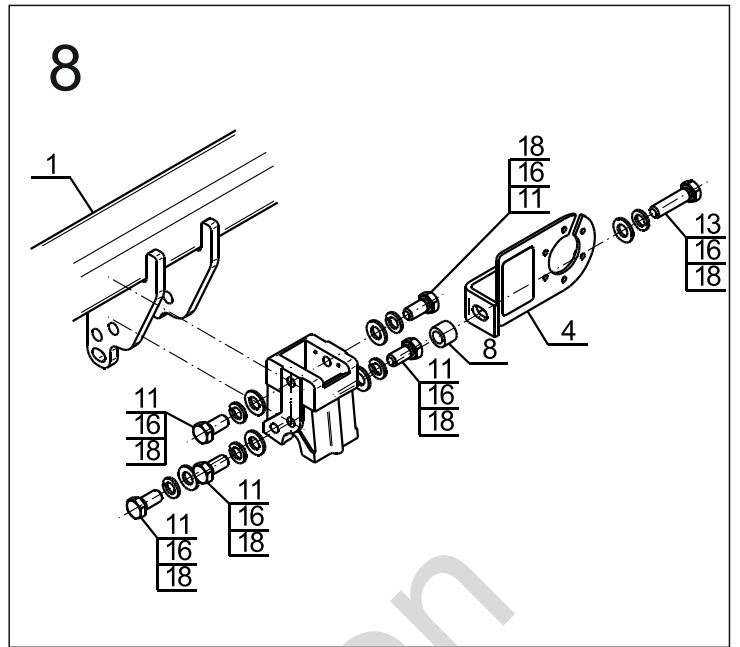
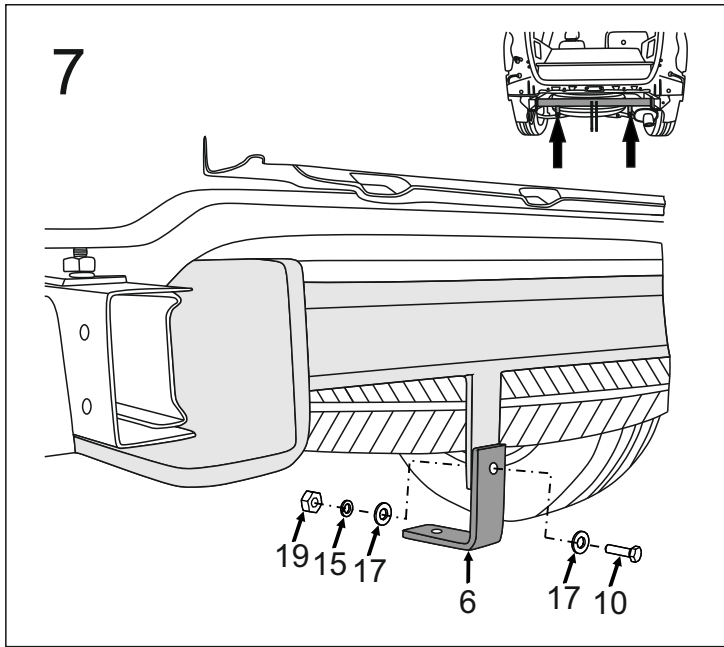
| | | |
|---|-------------|----|
| 1 | | x1 |
| 2 | (ACS-6019) | x1 |
| 3 | | x1 |
| 4 | (CZ-050.00) | x1 |
| 5 | | x2 |
| 6 | | x2 |

| | | | |
|----|--|----------------------------|-----|
| 7 | | 40x40x5/Ø12,5 | x2 |
| 8 | | Ø20/Ø12,5x15 | x1 |
| 9 | | Ø20/Ø12,5x83 | x2 |
| 10 | | M6x25 (PN/M-82105) | x2 |
| 11 | | M12x25 (PN/M-82105) (8.8) | x5 |
| 12 | | M12x40 (PN/M-82105) (8.8) | x2 |
| 13 | | M12x45 (PN/M-82105) (8.8) | x1 |
| 14 | | M12x130 (PN/M-82101) (8.8) | x2 |
| 15 | | Ø6,2 | x4 |
| 16 | | Ø12,2 | x10 |
| 17 | | Ø6,4 | x6 |
| 18 | | Ø13,0 | x10 |
| 19 | | M6 | x4 |
| 20 | | M12 (8) | x2 |

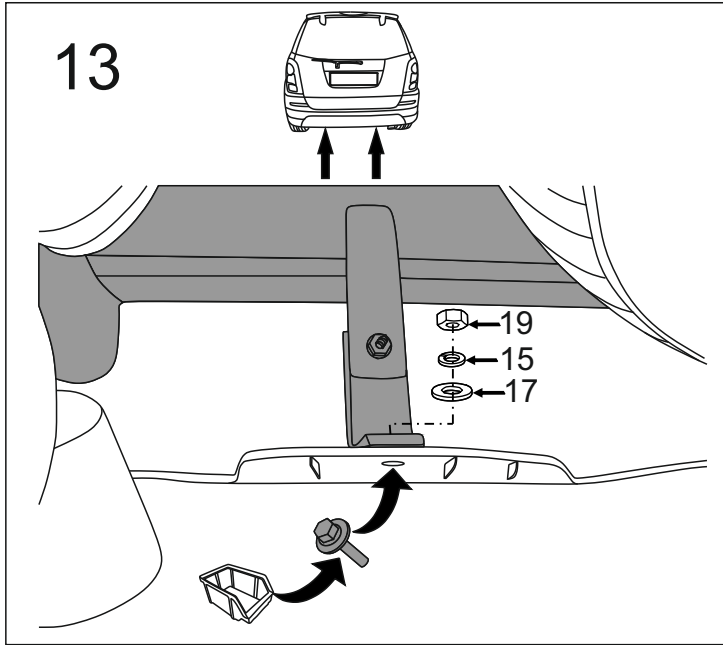


| 8.8 | |
|---------------|----------------|
| M8 - 25 (Nm) | M14 - 135 (Nm) |
| M10 - 50 (Nm) | M16 - 200 (Nm) |
| M12 - 85 (Nm) | |

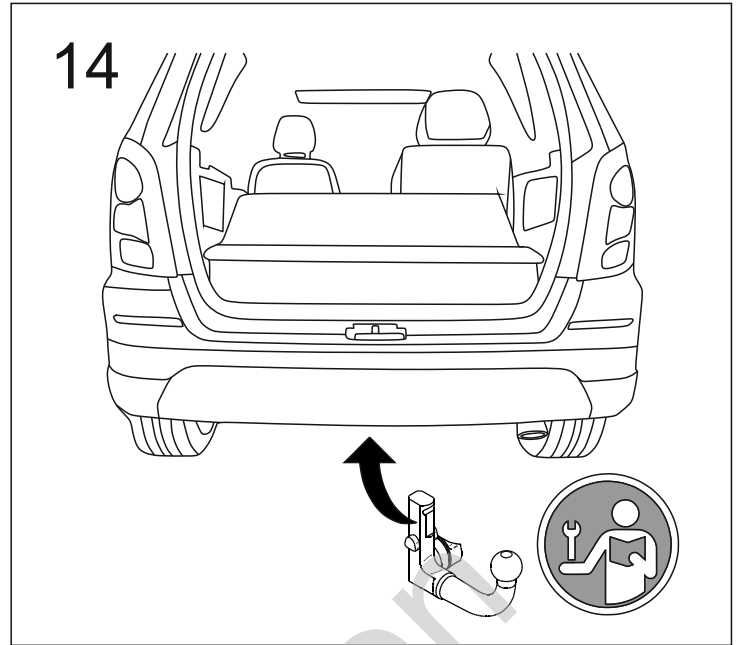




13



14



Olifant trekhakeri