

33-100 Tarnów ul.Przemysłowa 27a
www.steinhof.pl

| | |
|---|---------------|
| Renault Kangoo III (AdBlue) | (06/2021 - →) |
| Renault Kangoo III E-Tech (EV) | (06/2021 - →) |
| Nissan Townstar (XFK), (AdBlue) | (12/2021 - →) |
| Mercedes-Benz Citan II (W420), (AdBlue) | (09/2021 - →) |
| Mercedes-Benz Citan II Tourer (W420), (AdBlue) | (09/2021 - →) |
| Mercedes-Benz T-Class (W420), (AdBlue) | (05/2022 - →) |

R-139

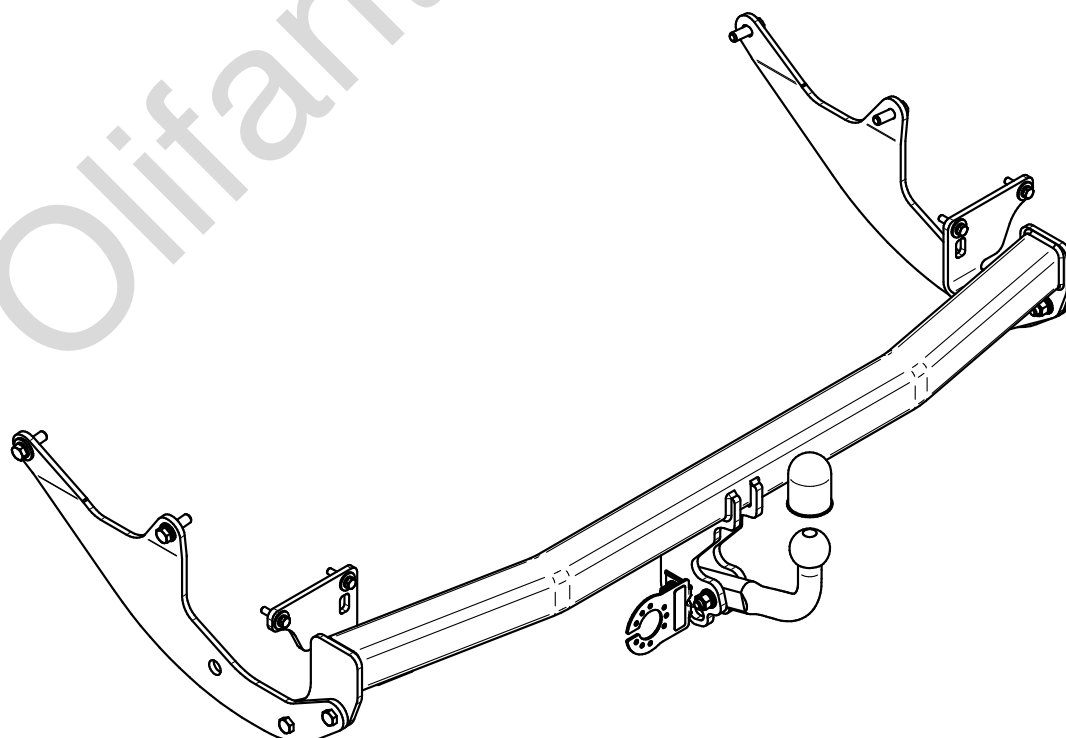
- PL** **Zaczep Kulowy** Instrukcja montażu i eksploatacji
- GB** **Tow bar** Installation and operating instructions
- D** **Die Anhängerkupplung** Montage- und Gebrauchsanleitung
- ES** **Gancho de remolque** Las instrucciones de instalación y de operación
- RU** **Фаркоп** Инструкция по установке и эксплуатации ТСУ
- FR** **Attelage** Notice de montage et d'utilisation
- IT** **Gancio traino** Istruzioni di montaggio
- CZ** **Tažné zařízení** Návod na montáž a použití
- RO** **Cârlig de remorcare** Instrucția de montaj și exploatare
- SE** **Dragkulan** Monterings- och bruksanvisningar.



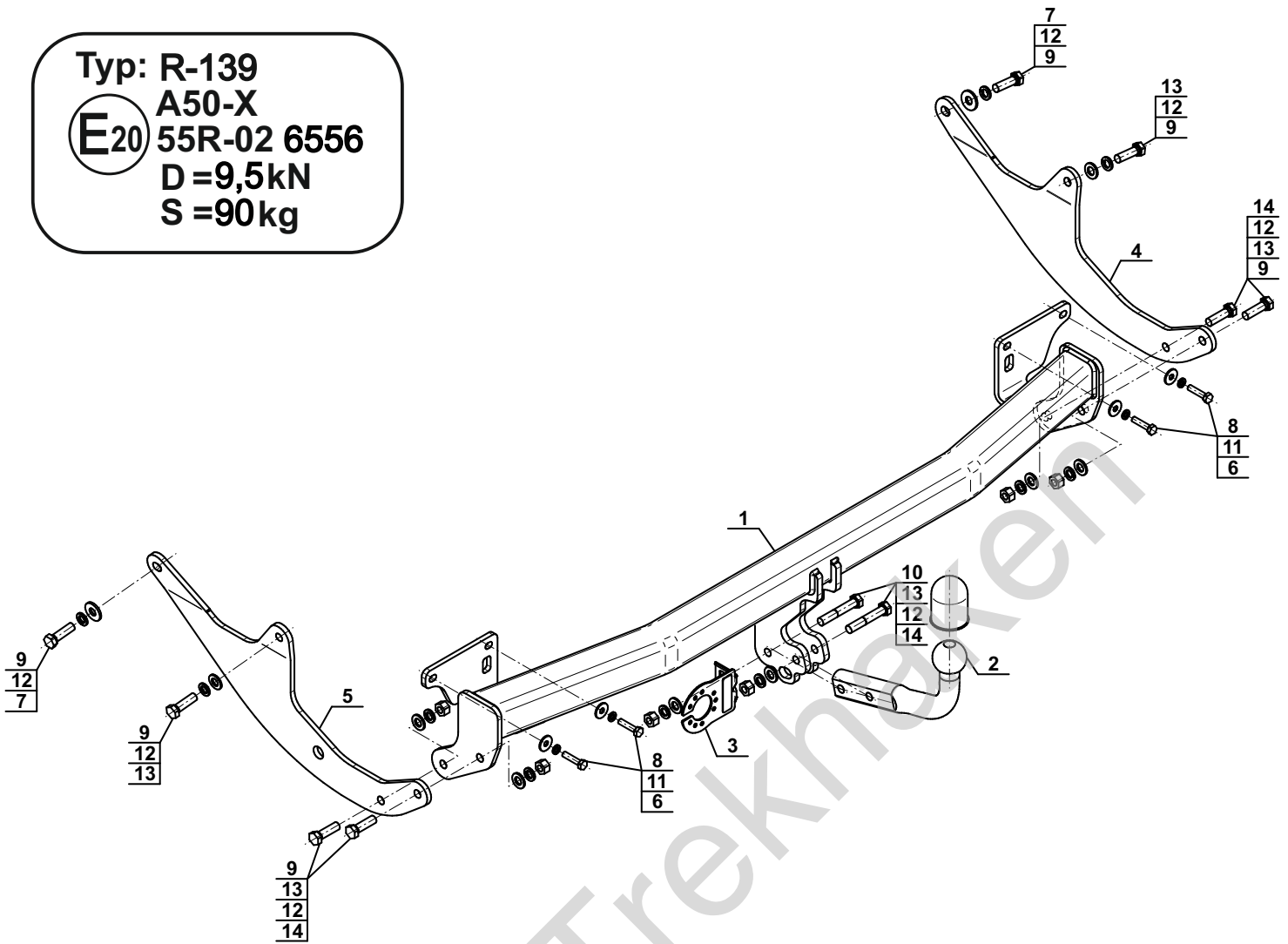
| | |
|-------------------------------------|--------------------------|
| YES | NO |
| <input checked="" type="checkbox"/> | <input type="checkbox"/> |



| | |
|-------------------------------------|--------------------------|
| YES | NO |
| <input checked="" type="checkbox"/> | <input type="checkbox"/> |



Typ: R-139
 A50-X
 E20 55R-02 6556
 D = 9,5kN
 S = 90kg



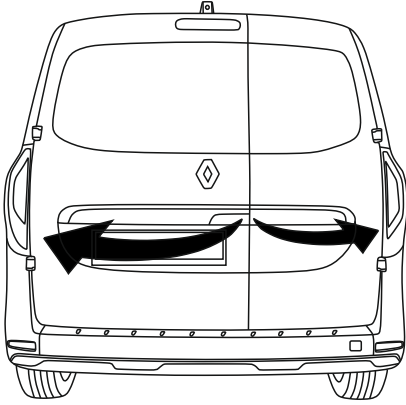
| | | |
|---|--|----|
| 1 | | x1 |
| 2 | | x1 |
| 3 | | x1 |
| 4 | | x1 |
| 5 | | x1 |

| | | | |
|----|--|---------------------------|-----|
| 6 | | Ø24/Ø8,5x2 | x4 |
| 7 | | Ø30/Ø12,5x3 | x2 |
| 8 | | M8x35 (PN/M-82105) (8.8) | x4 |
| 9 | | M12x40 (PN/M-82105) (8.8) | x8 |
| 10 | | M12x70 (PN/M-82101) (8.8) | x2 |
| 11 | | Ø8,2 | x4 |
| 12 | | Ø12,2 | x10 |
| 13 | | Ø13,0 | x8 |
| 14 | | M12 (8) | x6 |

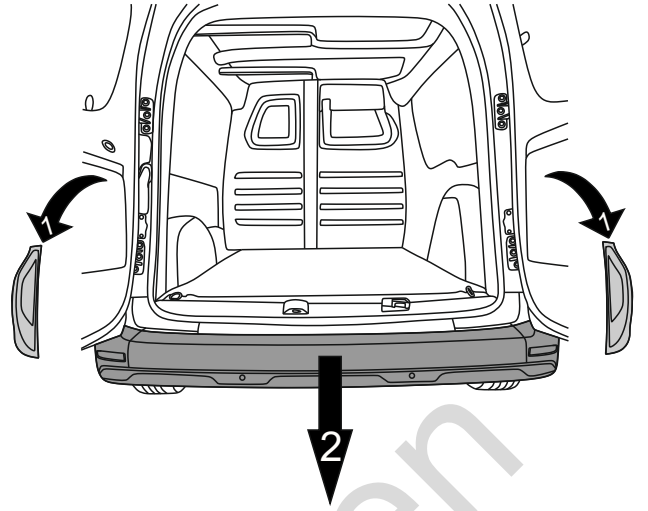


| 8.8 | |
|---------------|----------------|
| M6 - 10 (Nm) | M12 - 85 (Nm) |
| M8 - 25 (Nm) | M14 - 135 (Nm) |
| M10 - 50 (Nm) | M16 - 200 (Nm) |

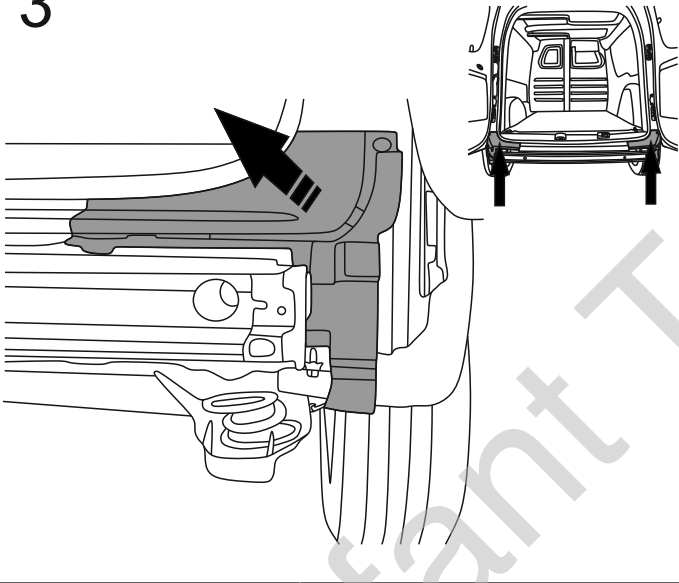
1



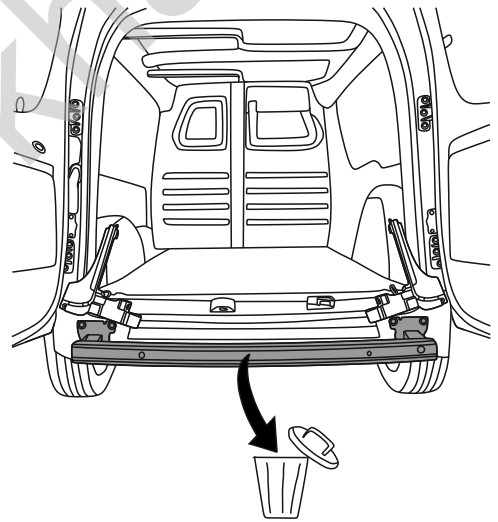
2



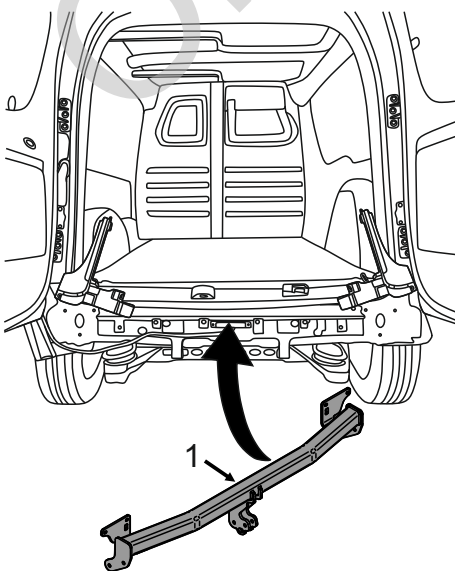
3



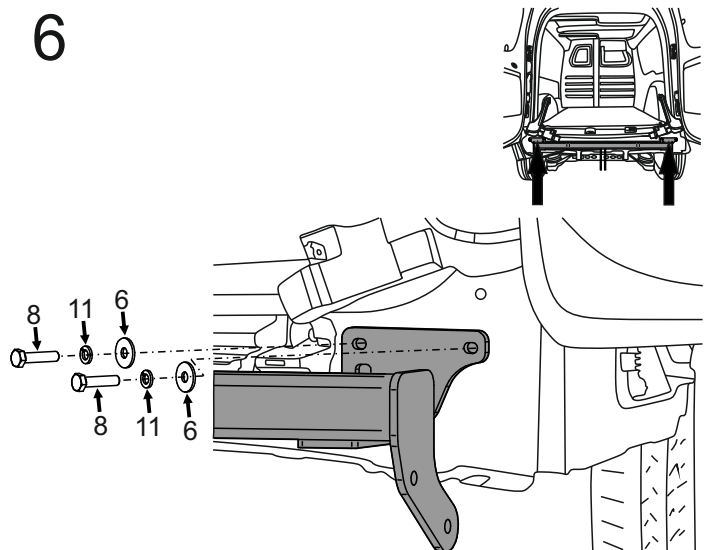
4

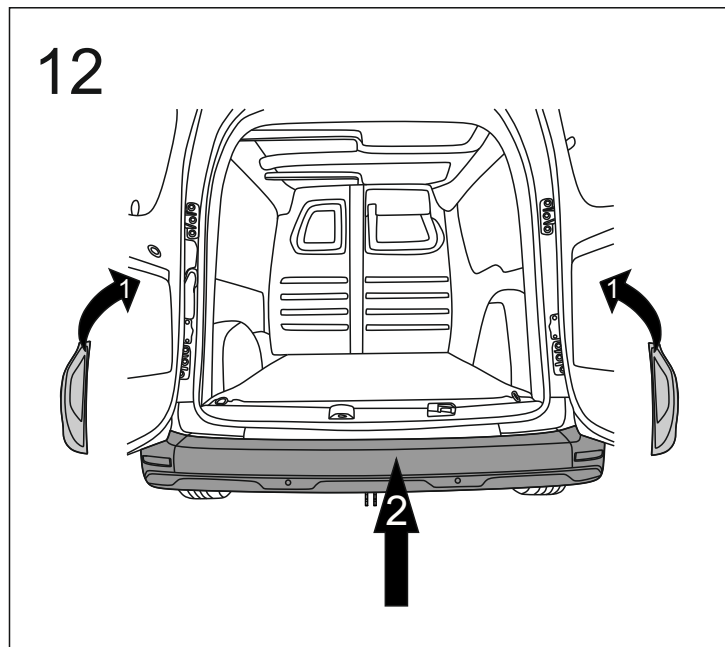
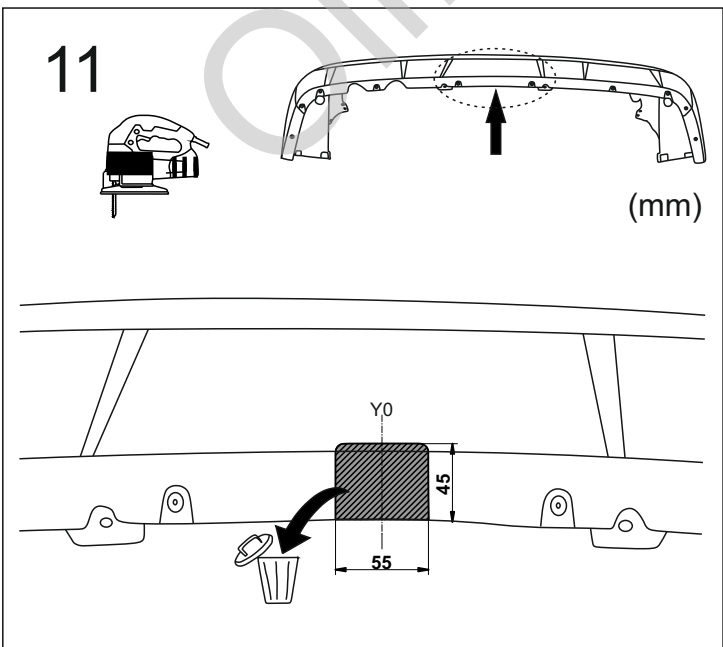
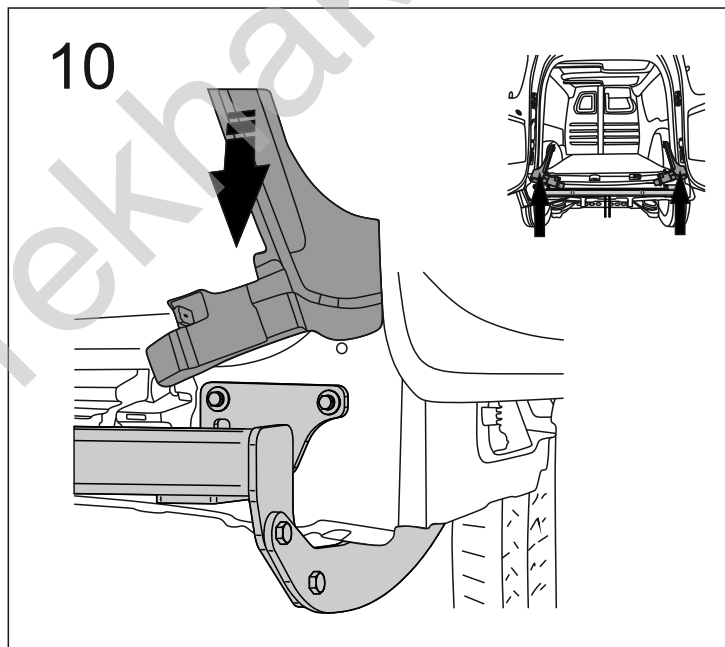
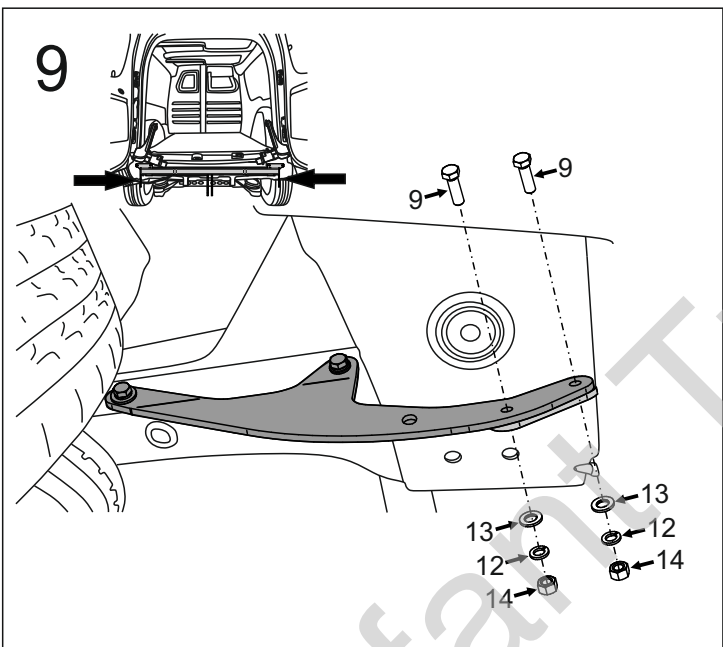
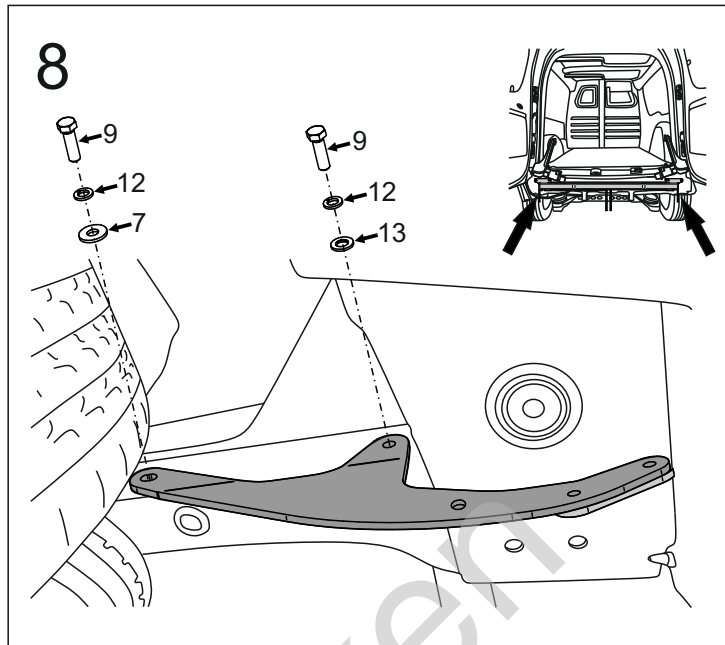
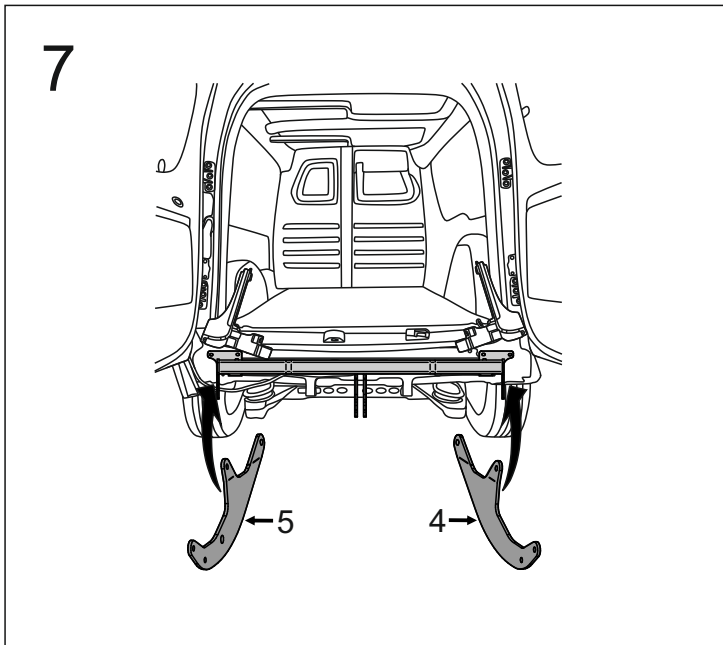


5

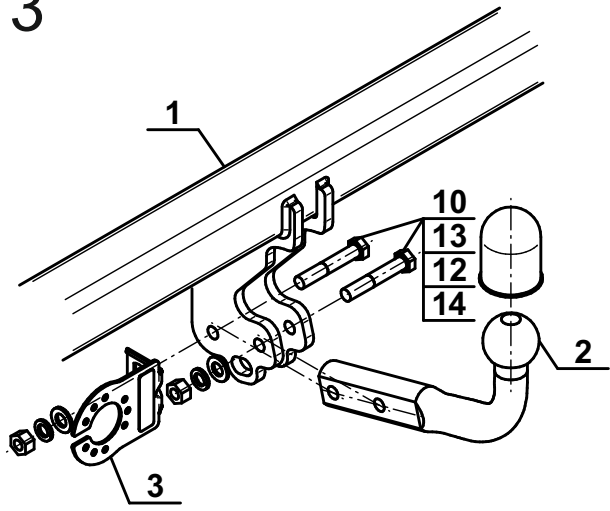


6





13



Olifant Trekhaken