

Renault Clio V (5D), (BF_)

(06/2019 - →)

R-031

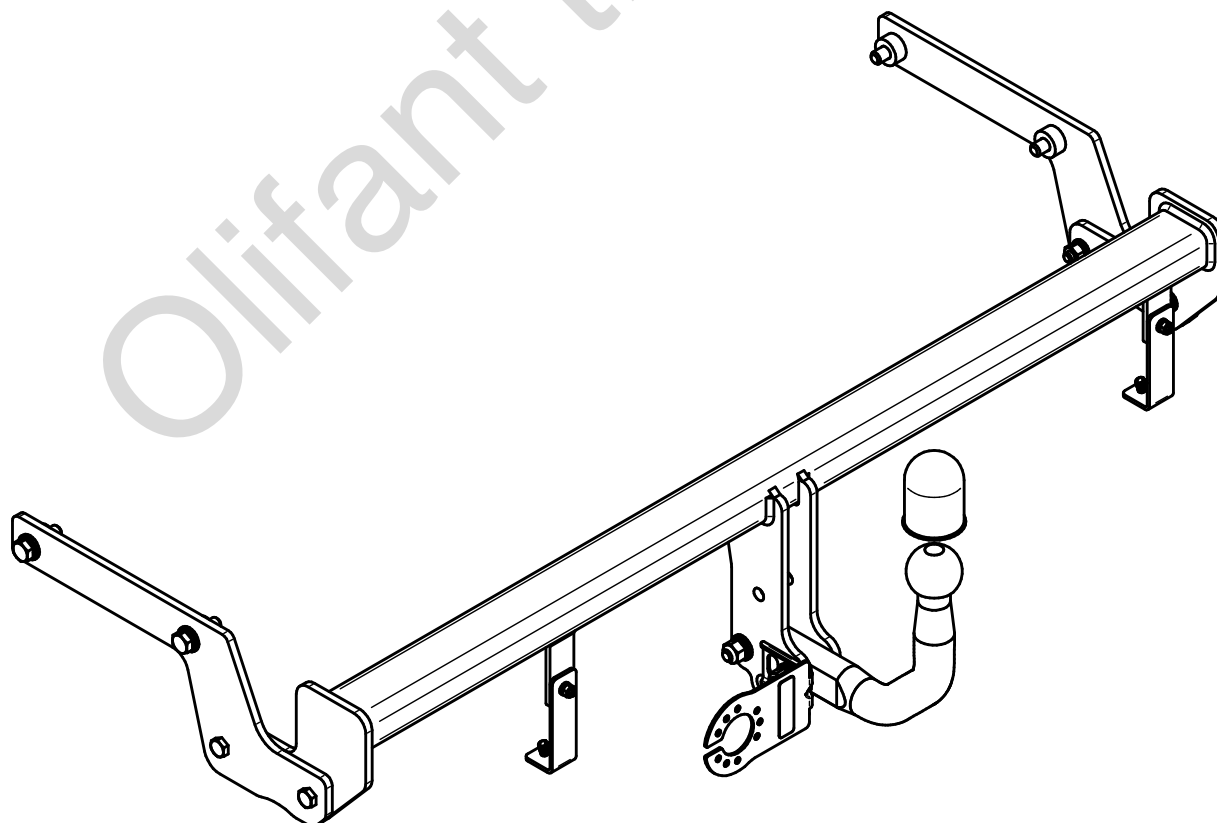
- PL** **Zaczep Kulowy** Instrukcja montażu i eksploatacji
- GB** **Tow bar** Installation and operating instructions
- D** **Die Anhängerkupplung** Montage- und Gebrauchsanleitung
- ES** **Gancho de remolque** Las instrucciones de instalación y de operación
- RU** **Фаркоп** Инструкция по установке и эксплуатации ТСУ
- FR** **Attelage** Notice de montage et d'utilisation
- IT** **Gancio traino** Istruzioni di montaggio
- CZ** **Tažné zařízen** Návod na montáž a použití
- RO** **Cârlig de remorcare** Instrucția de montaj și exploatare
- SE** **Dragkulan** Monterings- och bruksanvisningar.



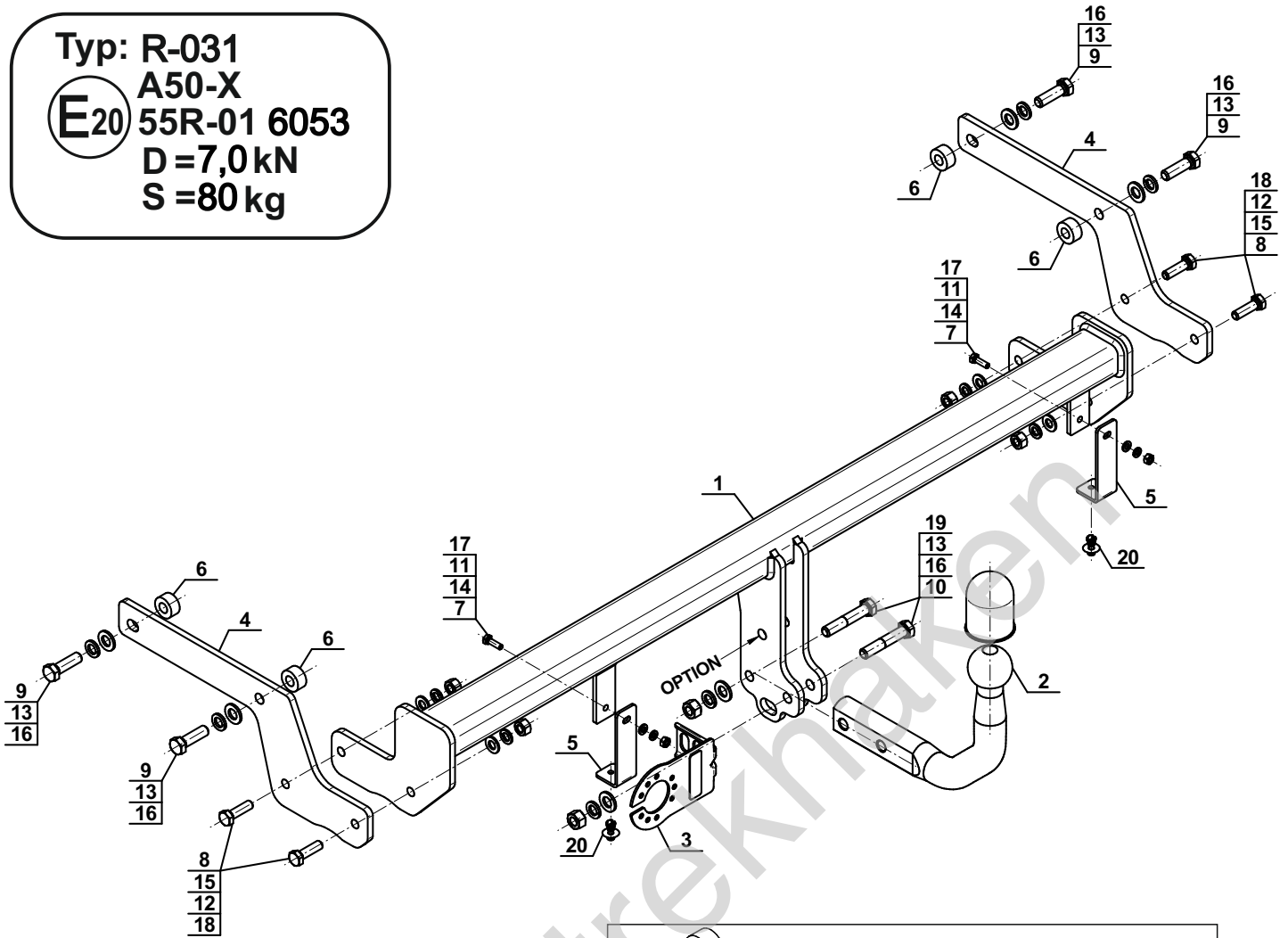
| | |
|-------------------------------------|--------------------------|
| YES | NO |
| <input checked="" type="checkbox"/> | <input type="checkbox"/> |



| | |
|--------------------------|-------------------------------------|
| YES | NO |
| <input type="checkbox"/> | <input checked="" type="checkbox"/> |



Typ: R-031
 A50-X
 E20 55R-01 6053
 D=7,0kN
 S=80kg



| | | |
|---|--|----|
| 1 | | x1 |
| 2 | | x1 |
| 3 | | x1 |
| 4 | | x2 |
| 5 | | x2 |

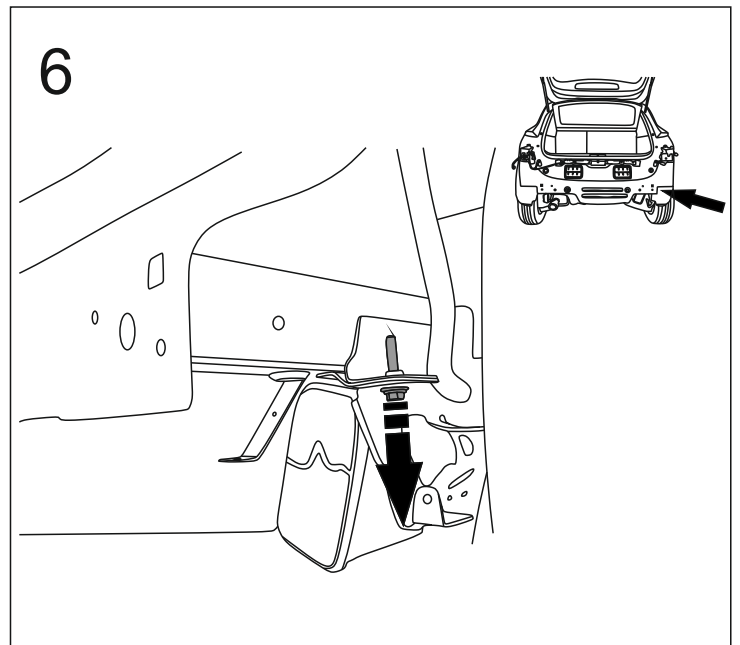
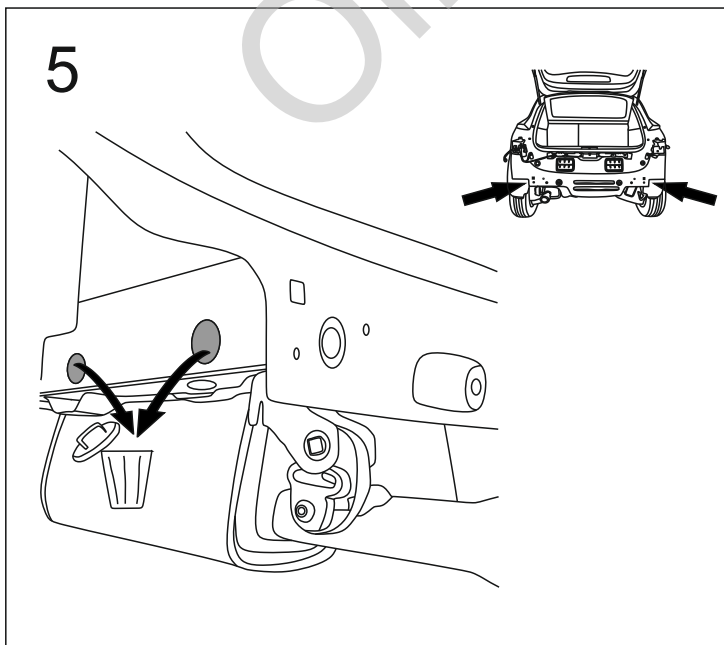
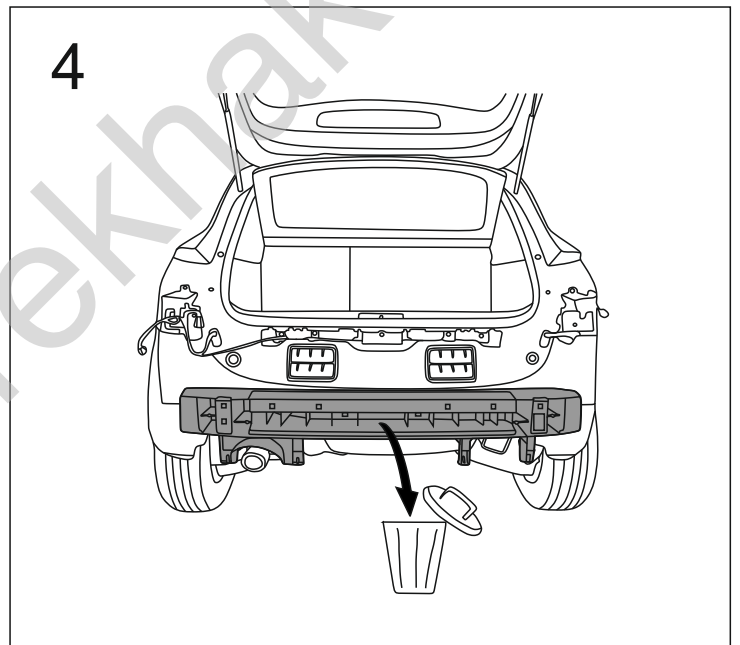
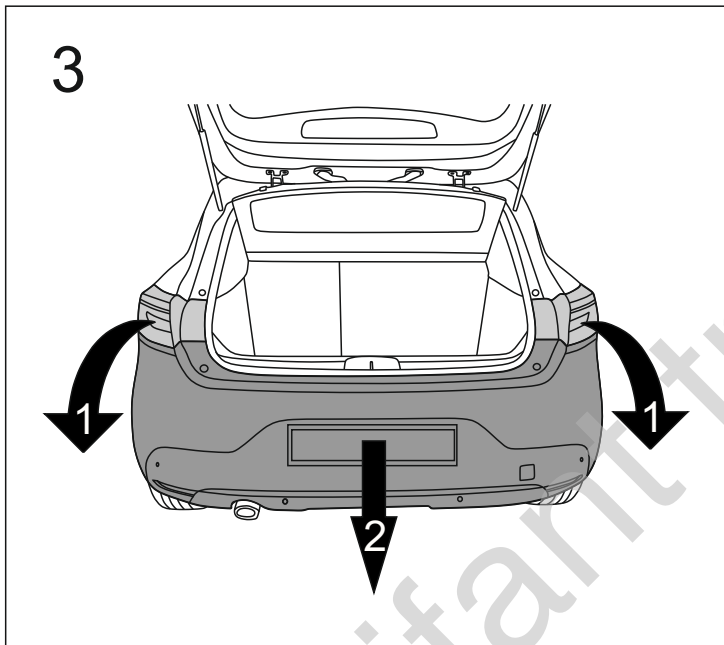
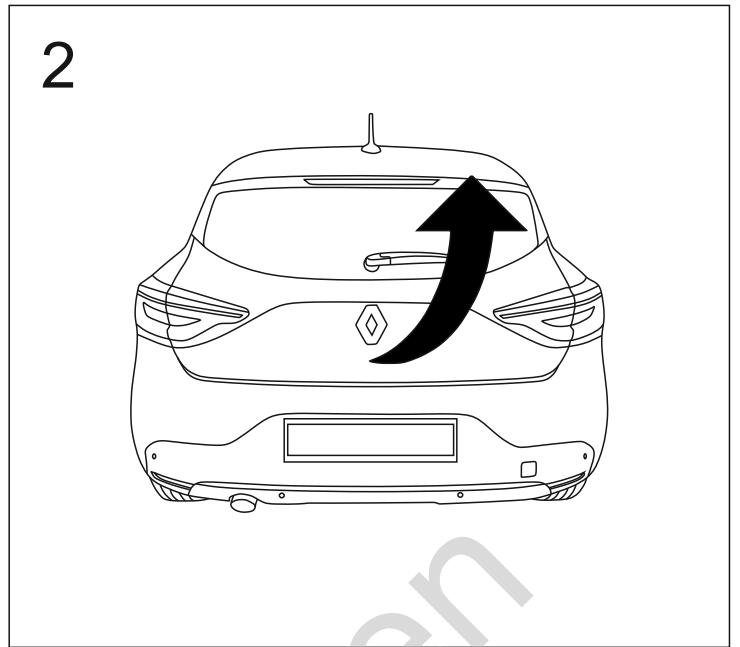
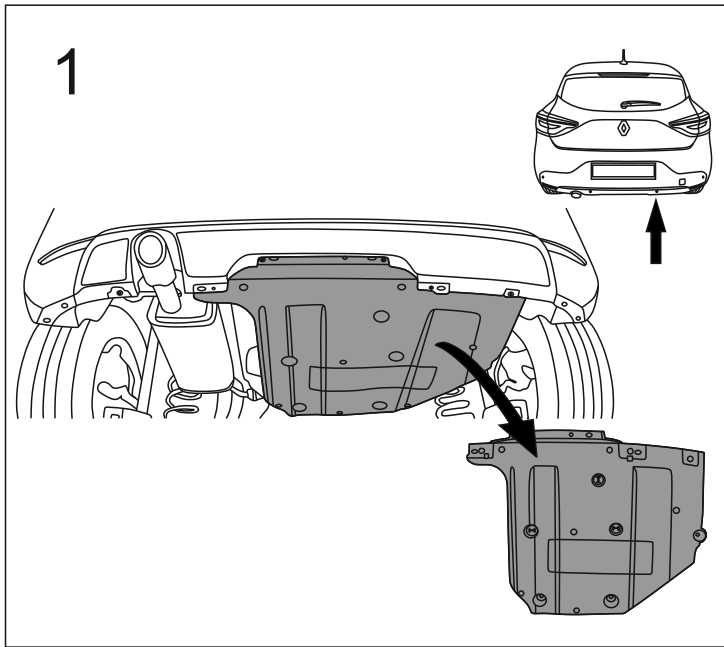
| | | | |
|----|--|---------------------------|----|
| 6 | | Ø26/Ø12,5x13 | x4 |
| 7 | | M6x20 (PN/M-82105) | x2 |
| 8 | | M10x35 (PN/M-82105) (8.8) | x4 |
| 9 | | M12x40 (PN/M-82105) (8.8) | x4 |
| 10 | | M12x65 (PN/M-82101) (8.8) | x2 |
| 11 | | Ø6,2 | x2 |
| 12 | | Ø10,2 | x4 |
| 13 | | Ø12,2 | x6 |
| 14 | | Ø6,4 | x2 |
| 15 | | Ø10,5 | x4 |
| 16 | | Ø13,0 | x6 |
| 17 | | M6 | x2 |
| 18 | | M10 (8) | x4 |
| 19 | | M12 (8) | x2 |
| 20 | | (CH-016.00) | x2 |

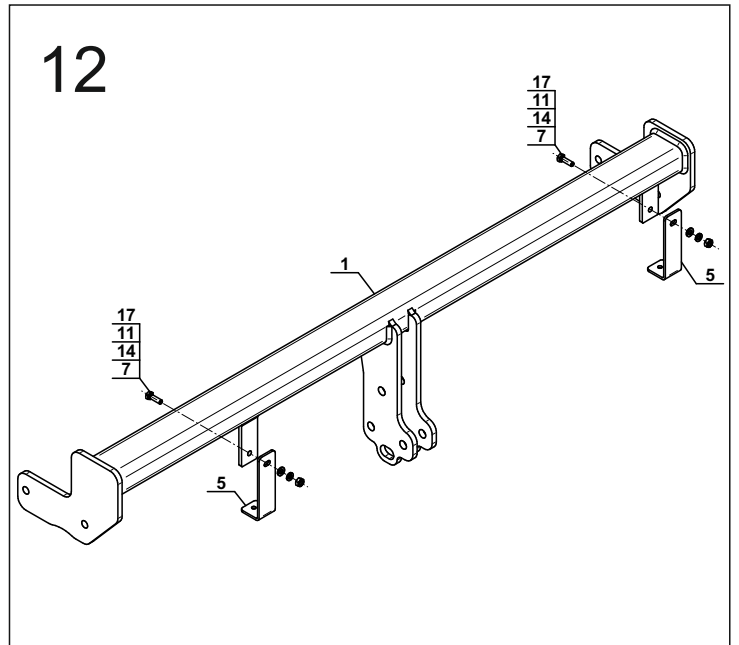
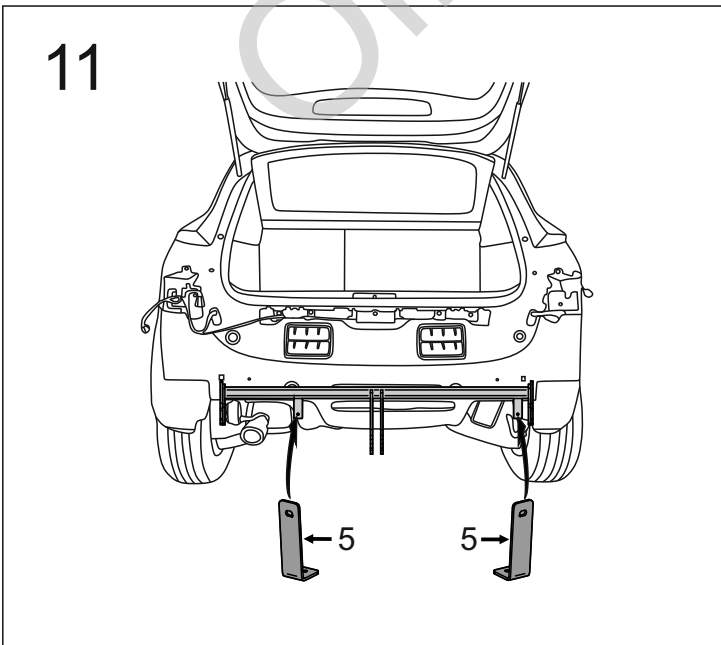
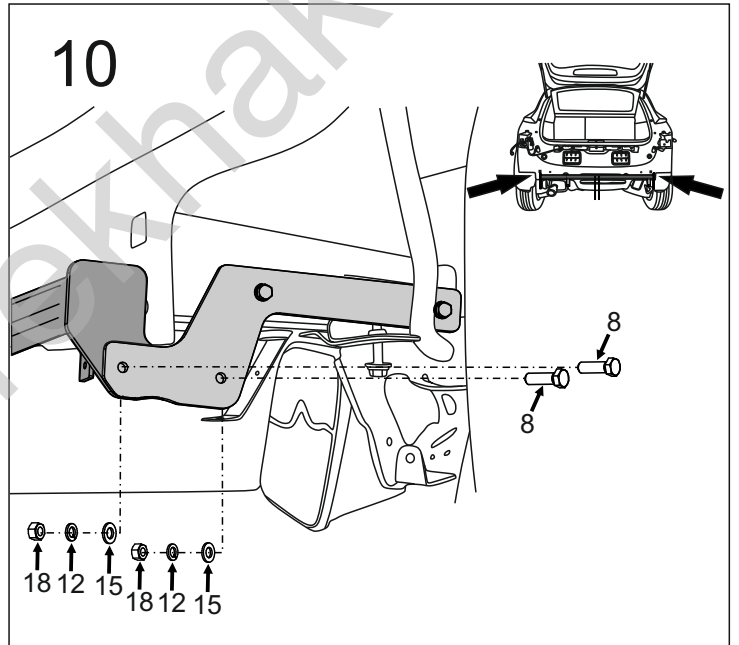
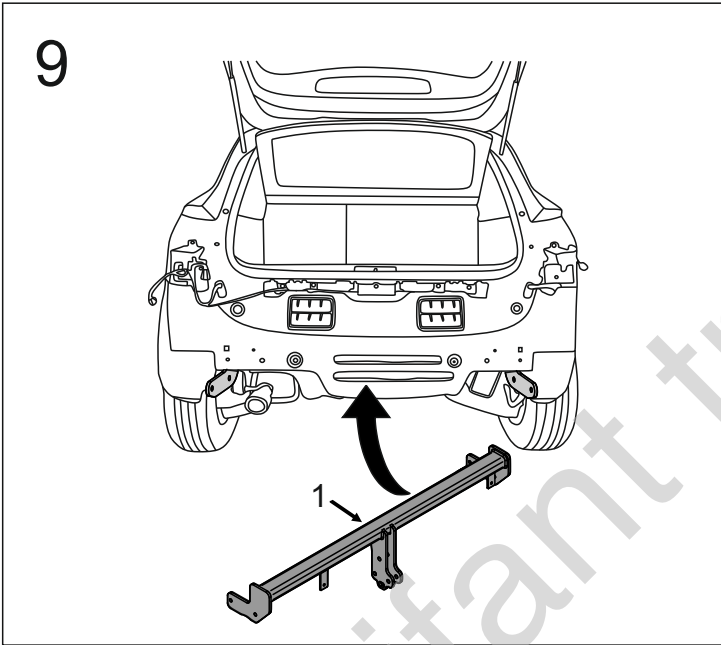
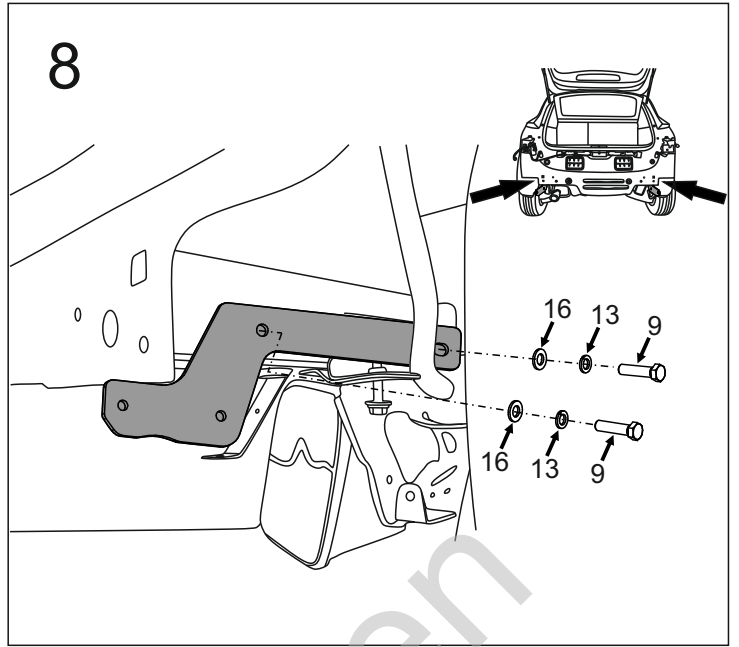
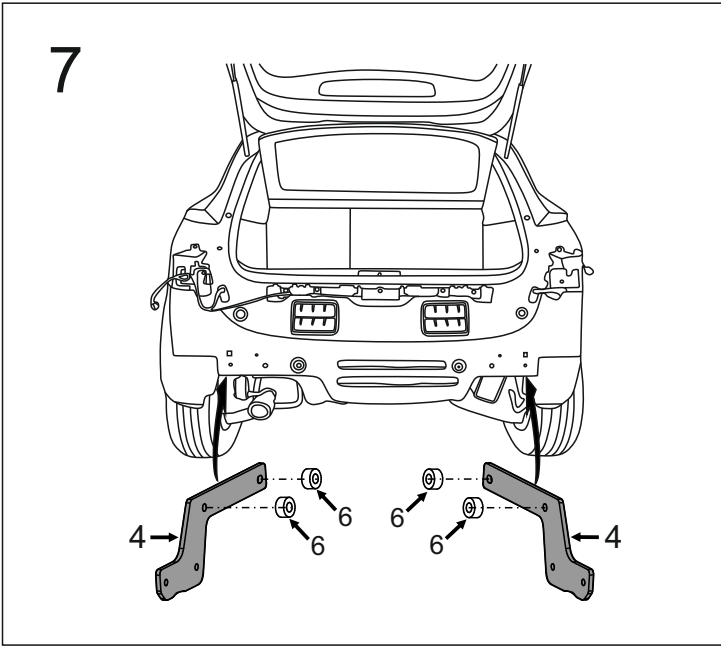
OPTION

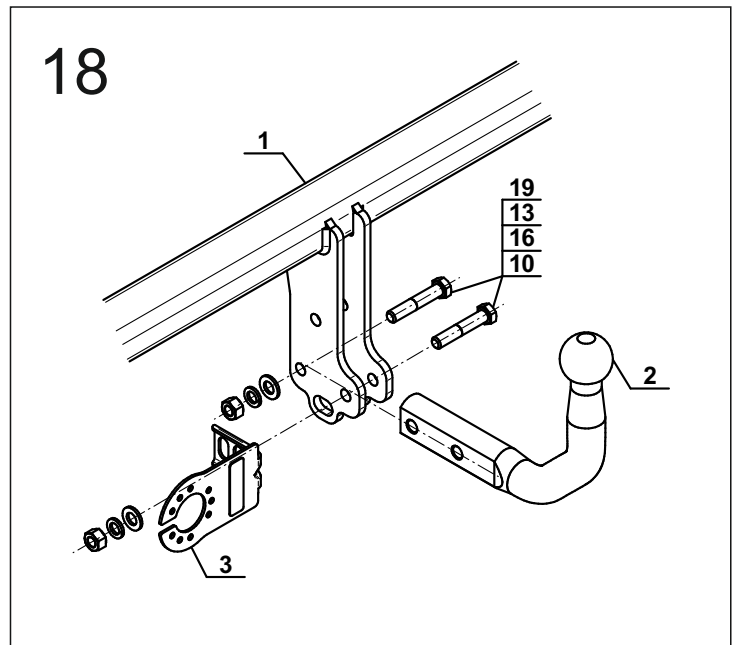
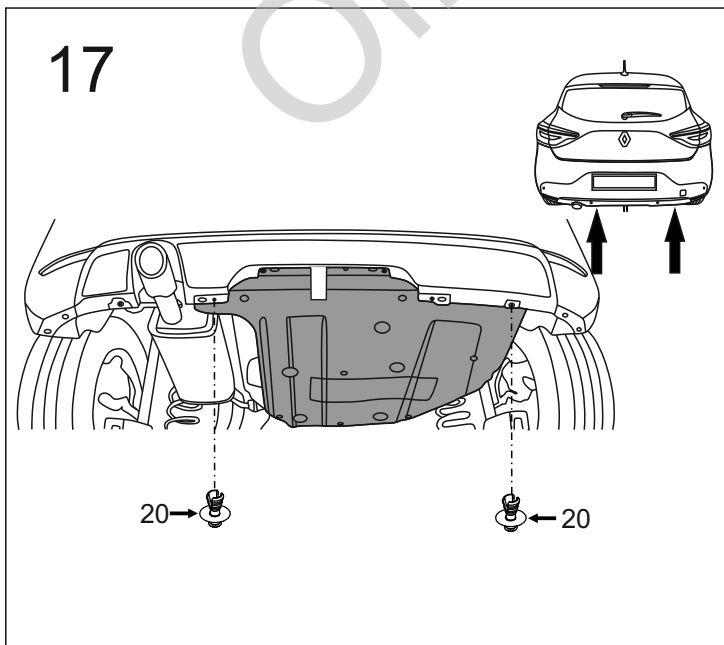
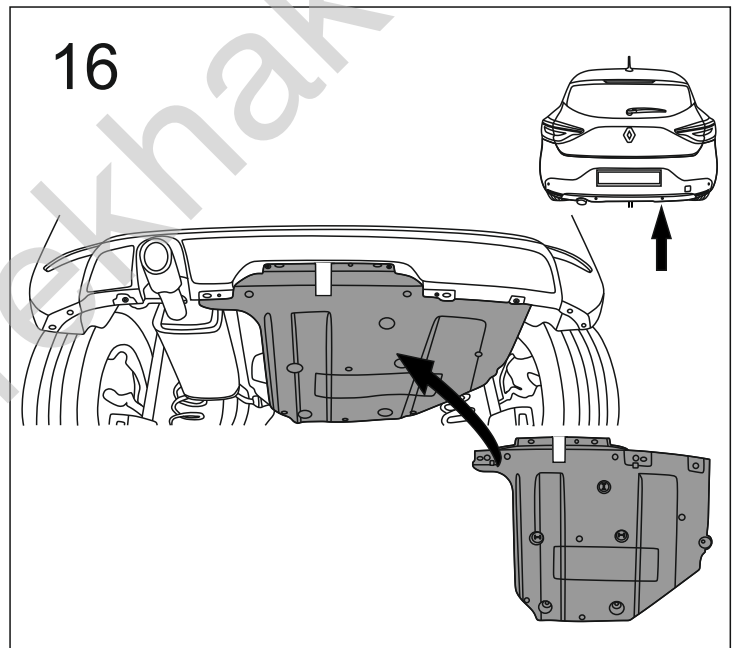
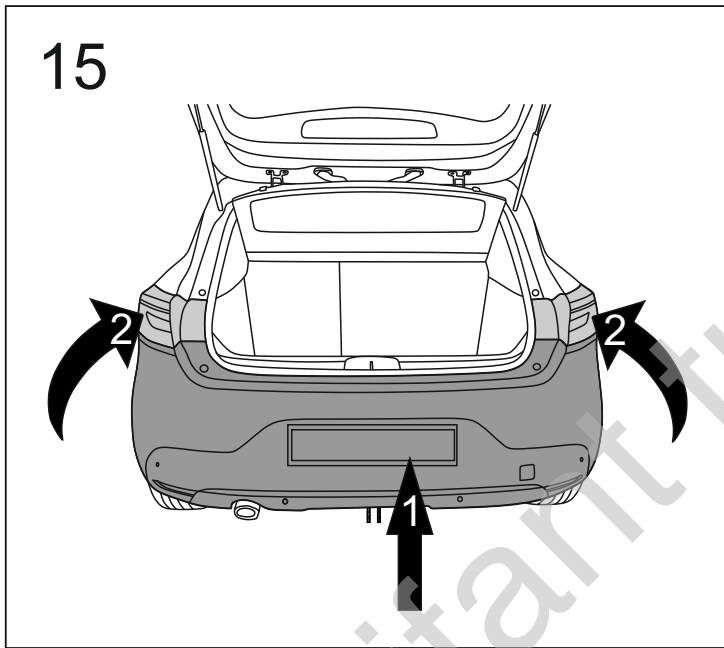
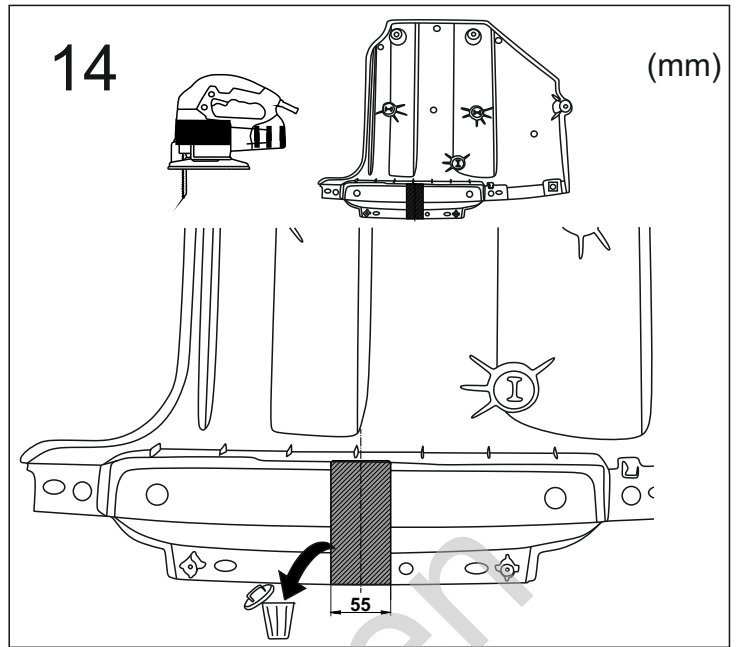
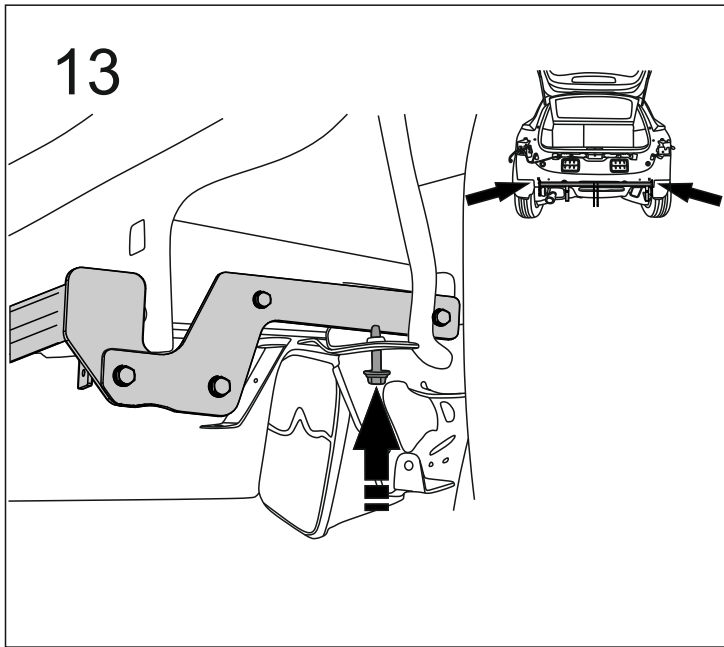
| | | | | |
|-------------|----|--------|----|-------|
| | 1x | M12x35 | 1x | Ø12,2 |
| | 1x | Ø13,0 | 1x | M12 |
| (CZ-050.00) | | | | |



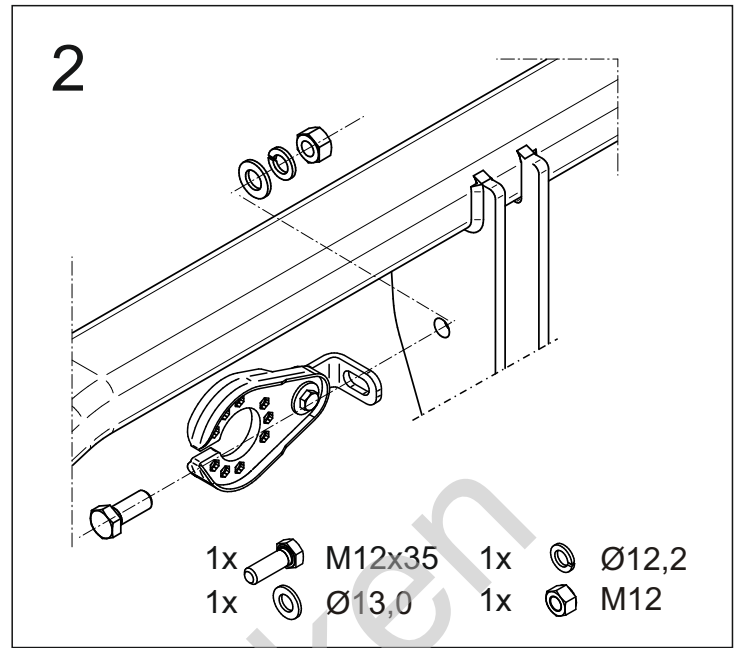
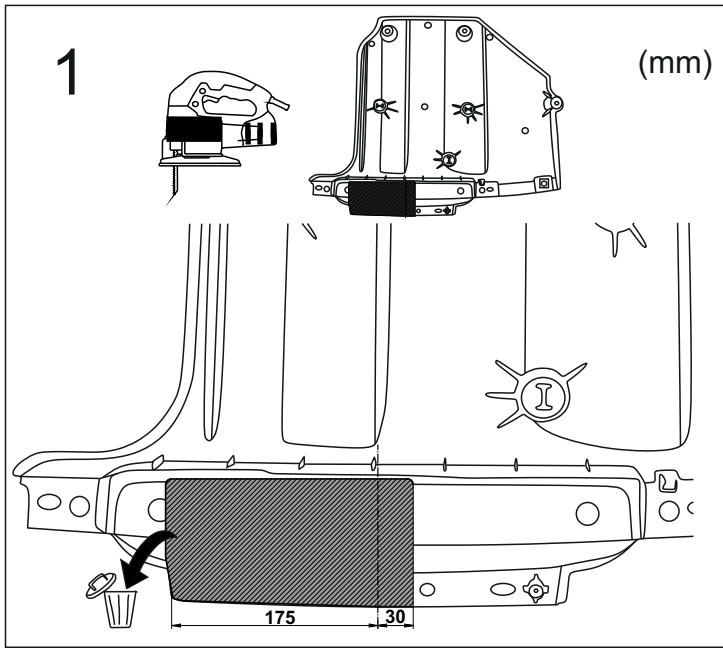
| 8.8 | |
|---------------|----------------|
| M8 - 25 (Nm) | M14 - 135 (Nm) |
| M10 - 50 (Nm) | M16 - 200 (Nm) |
| M12 - 85 (Nm) | |







OPTION



Olifant trekhaken