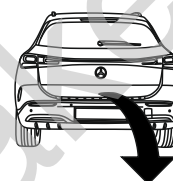


Mercedes-Benz EQA (H243), (+AMG-Line),

(02/2021 - →)

M-184

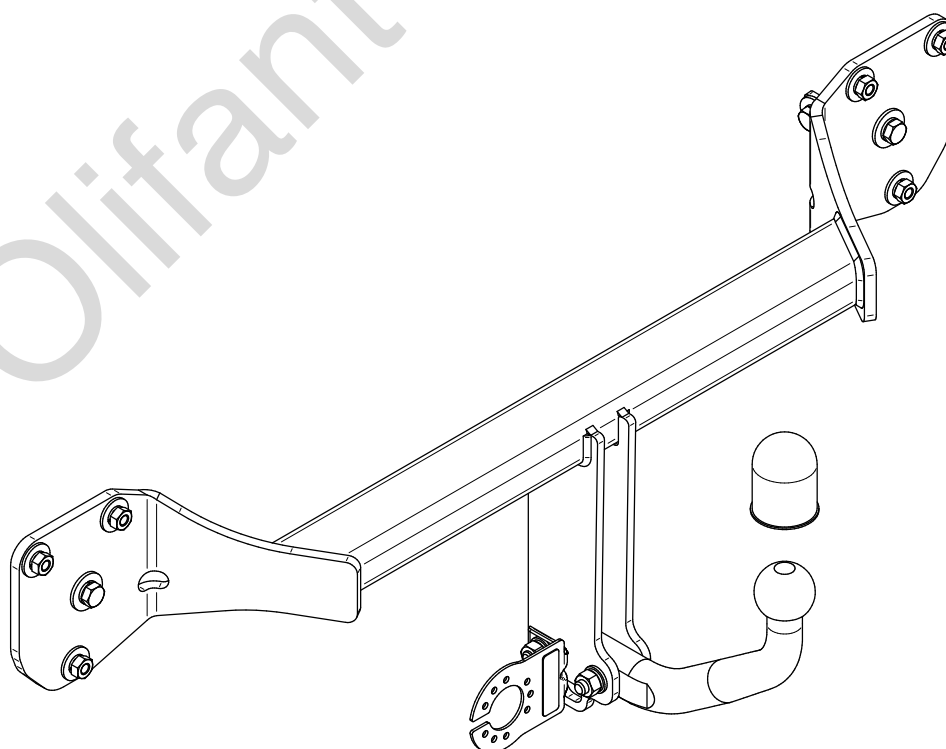
- PL** **Zaczep Kulowy** Instrukcja montażu i eksploatacji
- GB** **Tow bar** Installation and operating instructions
- D** **Die Anhängerkupplung** Montage- und Gebrauchsanleitung
- ES** **Gancho de remolque** Las instrucciones de instalación y de operación
- RU** **Фаркоп** Инструкция по установке и эксплуатации ТСУ
- FR** **Attelage** Notice de montage et d'utilisation
- IT** **Gancio traino** Istruzioni di montaggio
- CZ** **Tažné zařízení** Návod na montáž a použití
- RO** **Cârlig de remorcare** Instrucția de montaj și exploatare
- SE** **Dragkulan** Monterings- och bruksanvisningar.



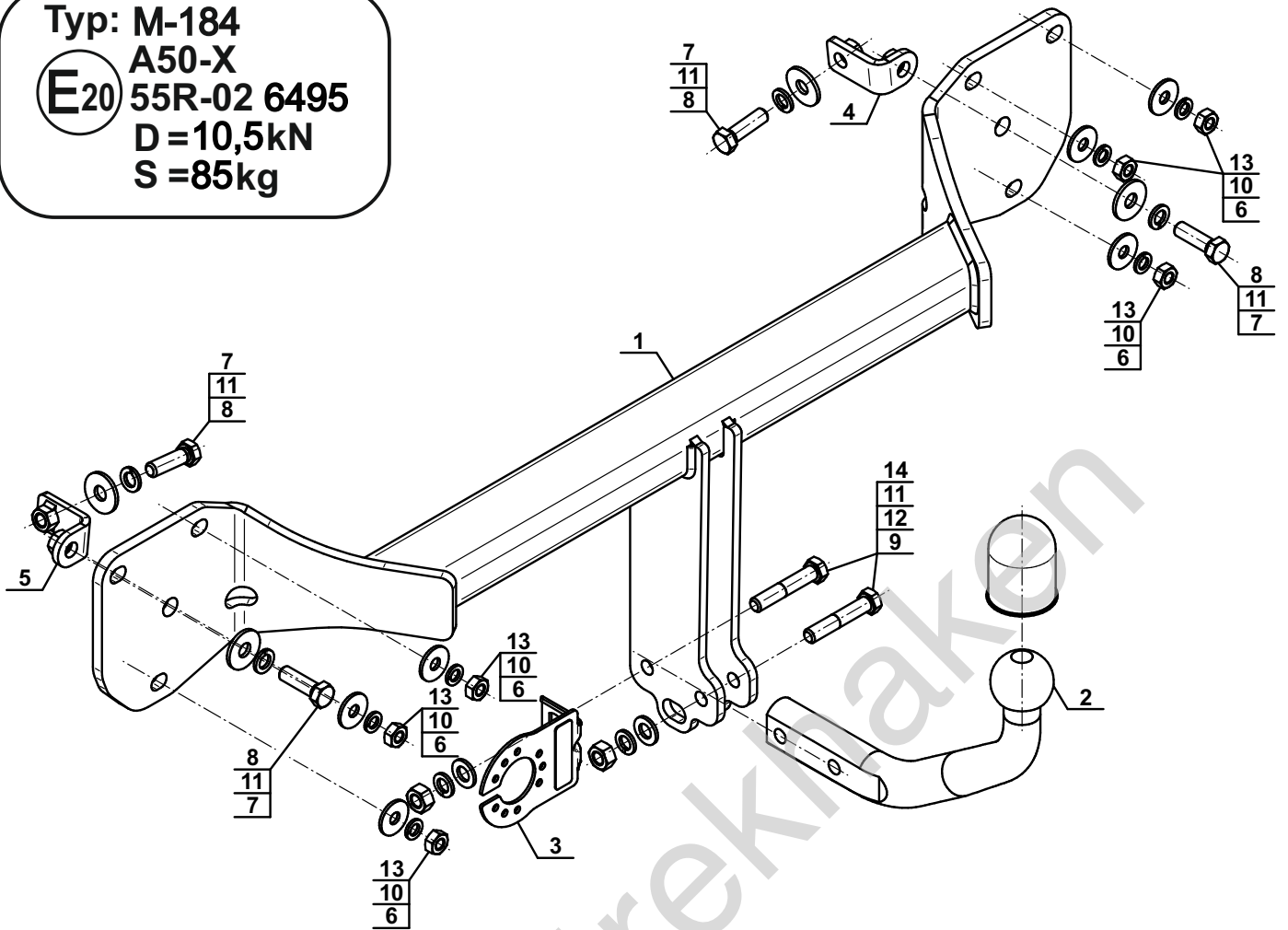
YES NO

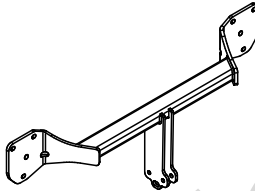
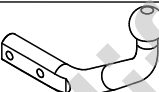





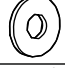

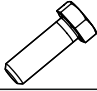
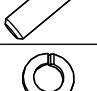





YES NO



Typ: M-184
 A50-X
 E20 55R-02 6495
 D = 10,5kN
 S = 85kg



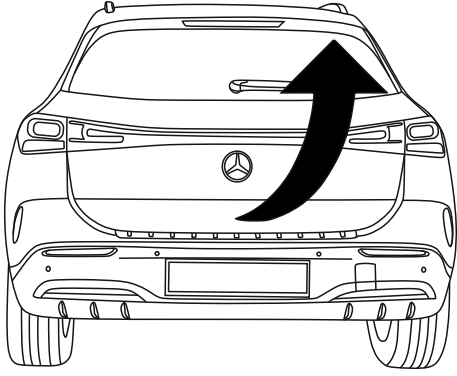
| | | |
|---|---|----|
| 1 |  | x1 |
| 2 |  | x1 |
| 3 |  | x1 |
| 4 |  | x1 |
| 5 |  | x1 |

| | | | |
|----|---|---------------------------|----|
| 6 |  | Ø30/Ø10,5x3 | x6 |
| 7 |  | Ø34/Ø12,5x3 | x4 |
| 8 |  | M12x40 (PN/M-82105) (8.8) | x4 |
| 9 |  | M12x65 (PN/M-82101) (8.8) | x2 |
| 10 |  | Ø10,2 | x6 |
| 11 |  | Ø12,2 | x6 |
| 12 |  | Ø13,0 | x2 |
| 13 |  | M10 (8) | x6 |
| 14 |  | M12 (8) | x2 |

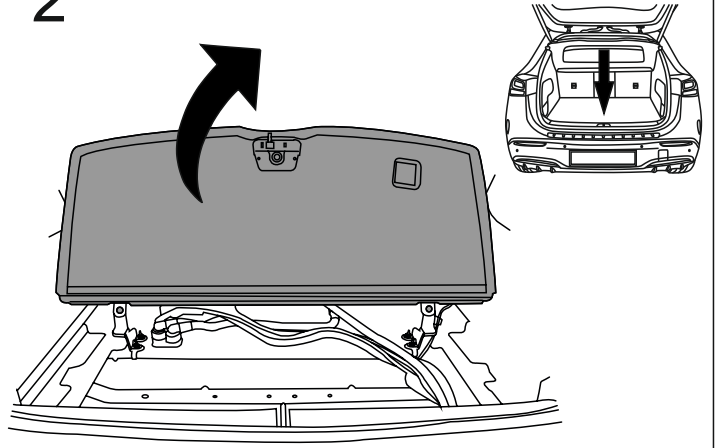


| 8.8 | |
|---------------|----------------|
| M6 - 10 (Nm) | M12 - 85 (Nm) |
| M8 - 25 (Nm) | M14 - 135 (Nm) |
| M10 - 50 (Nm) | M16 - 200 (Nm) |

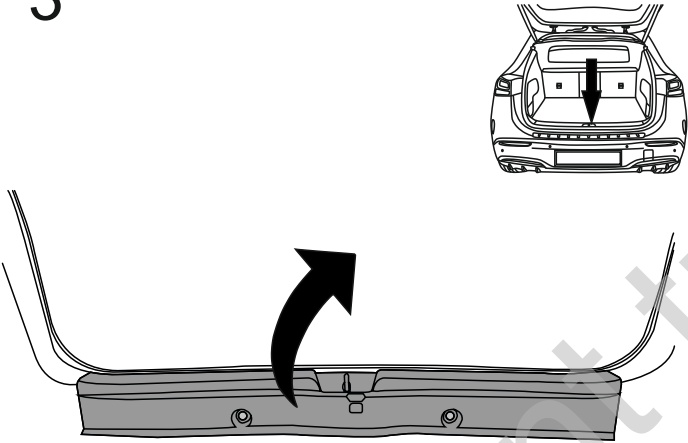
1



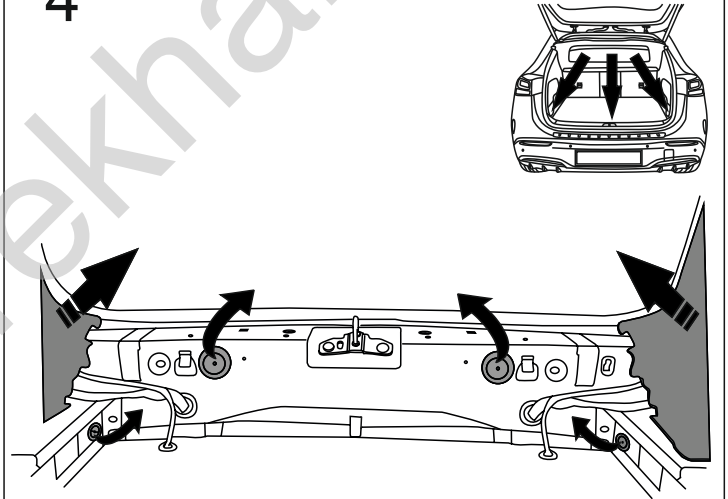
2



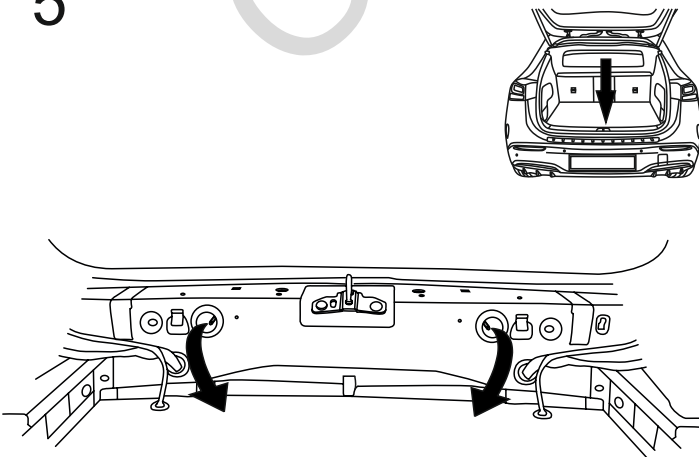
3



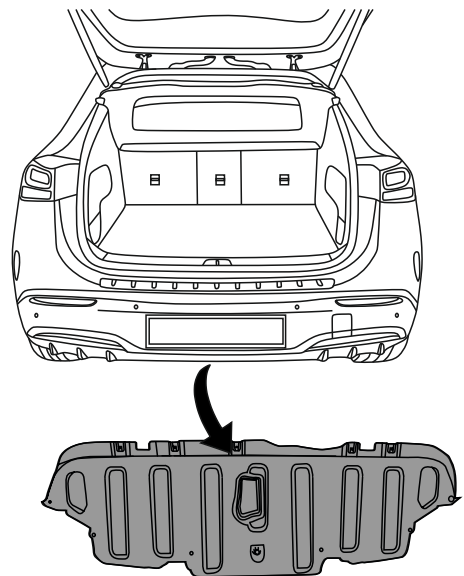
4

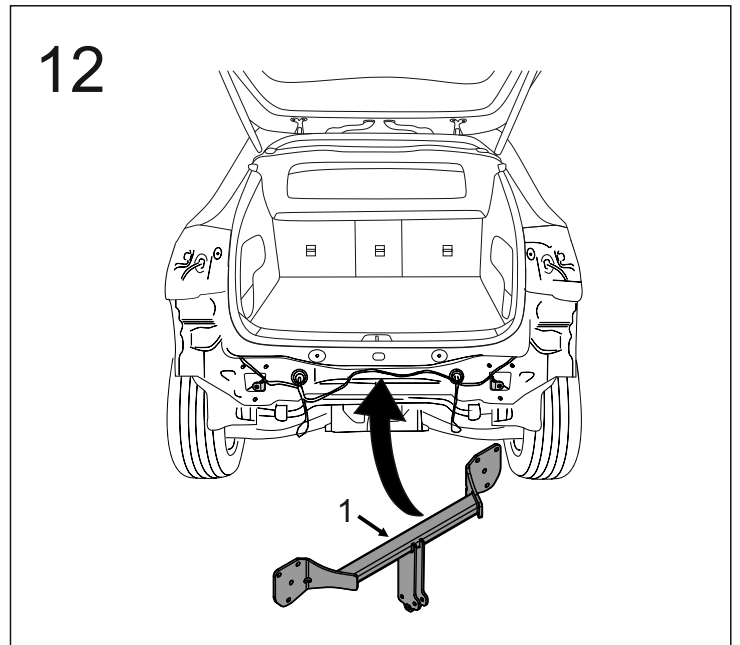
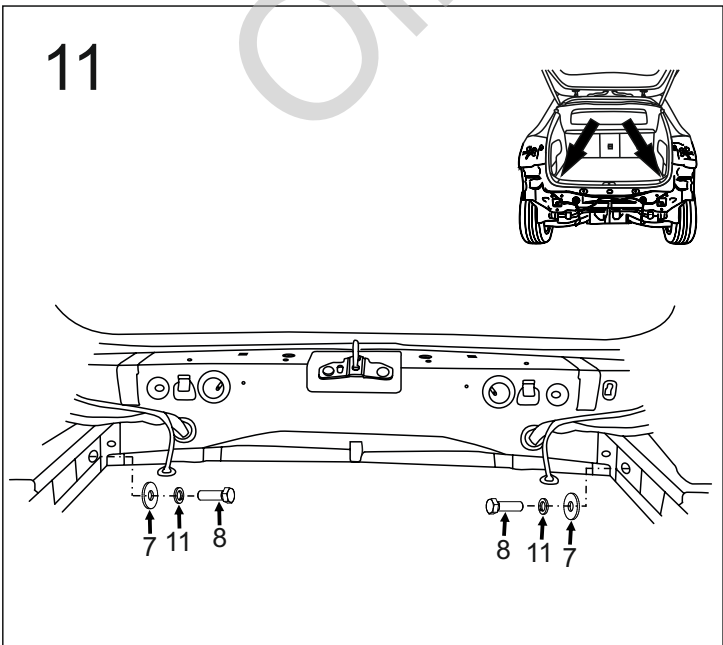
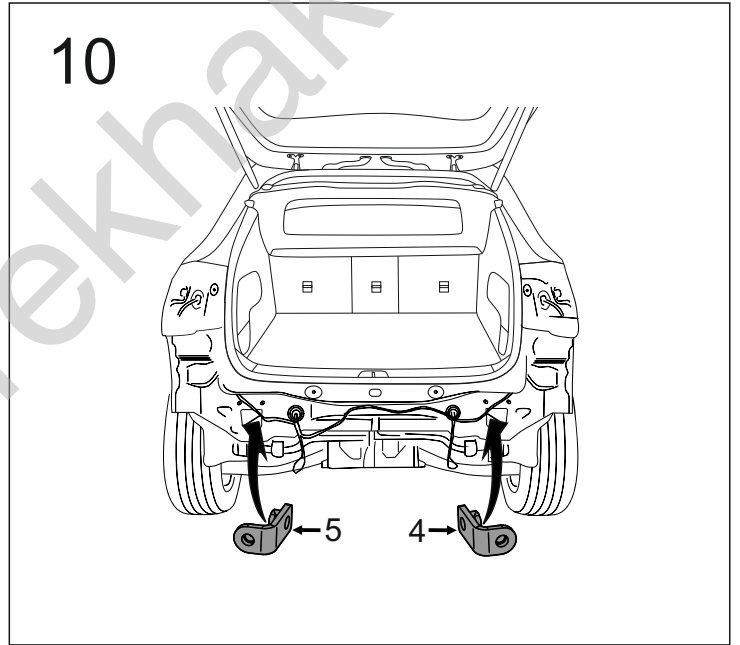
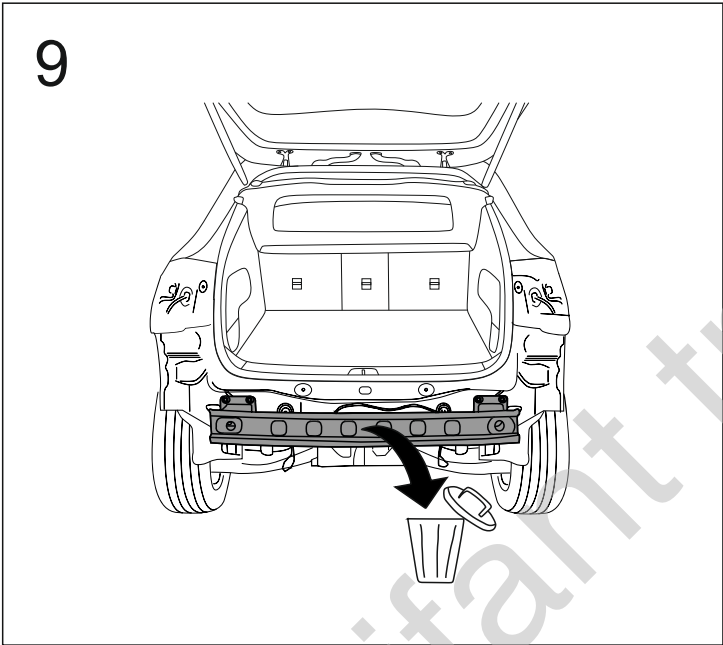
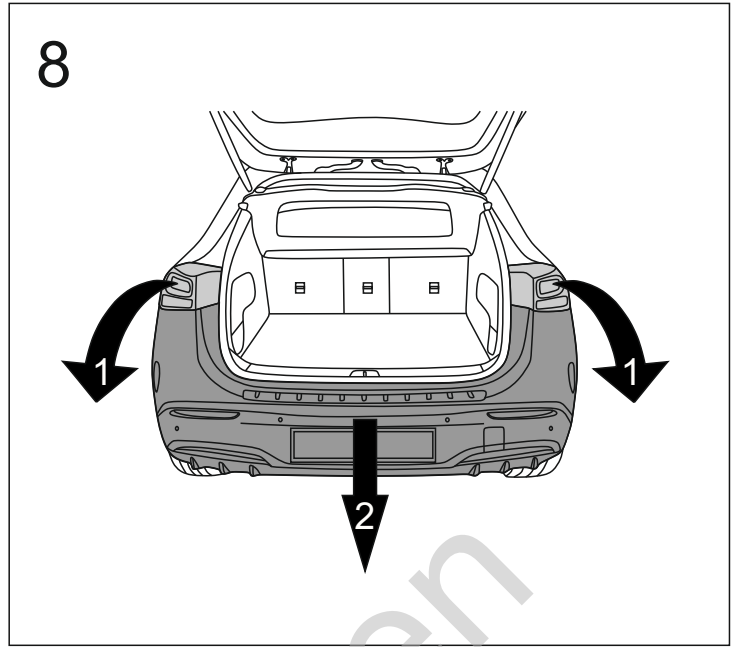
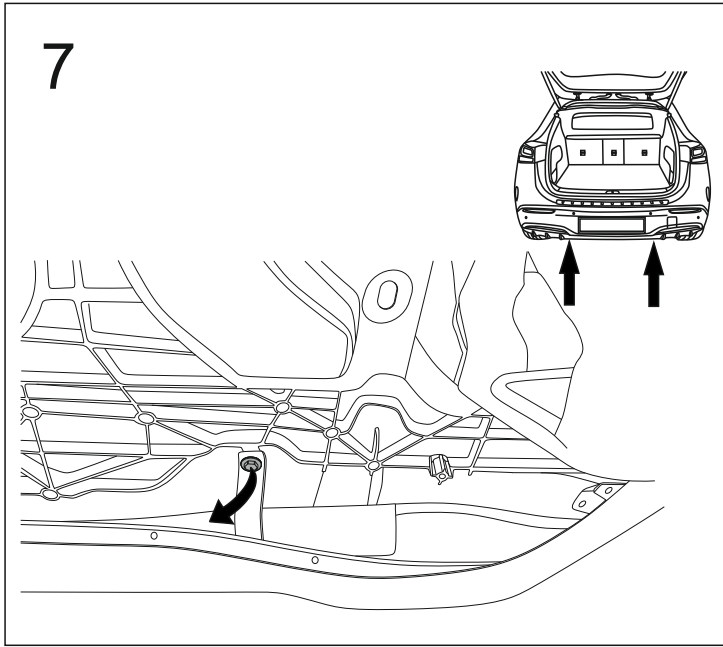


5

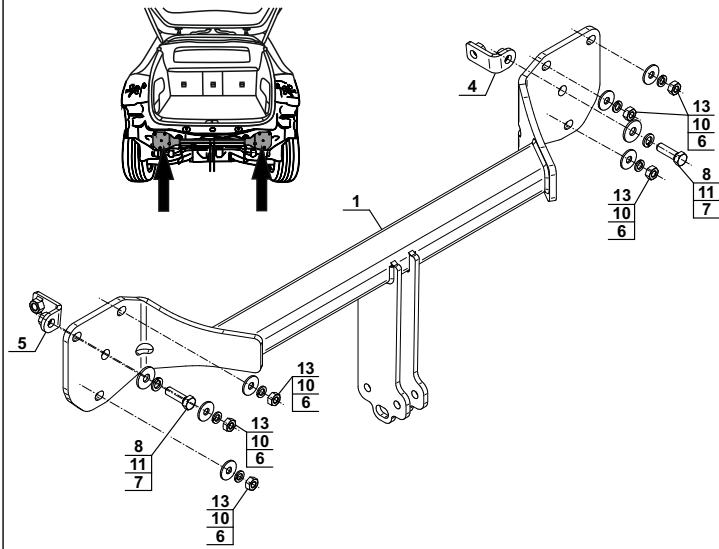


6

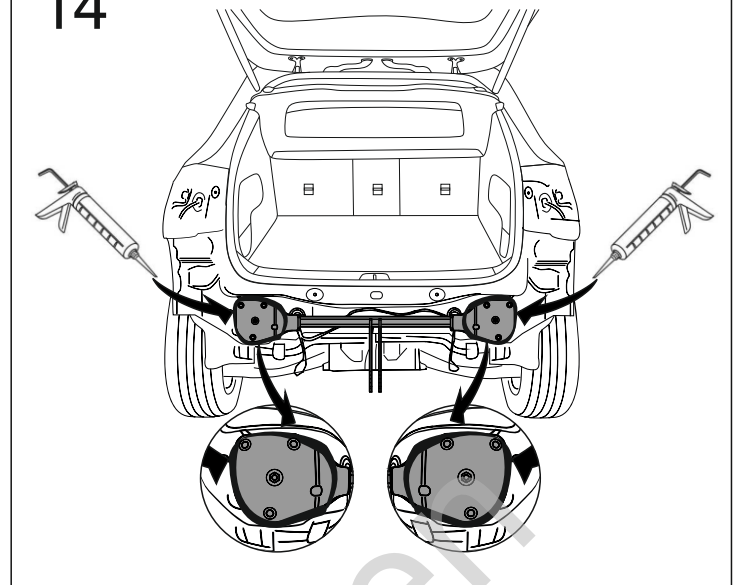




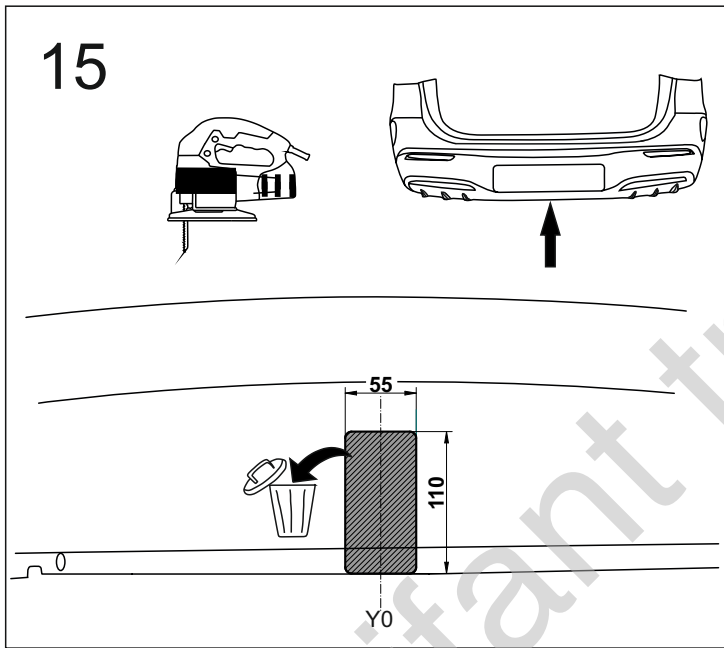
13



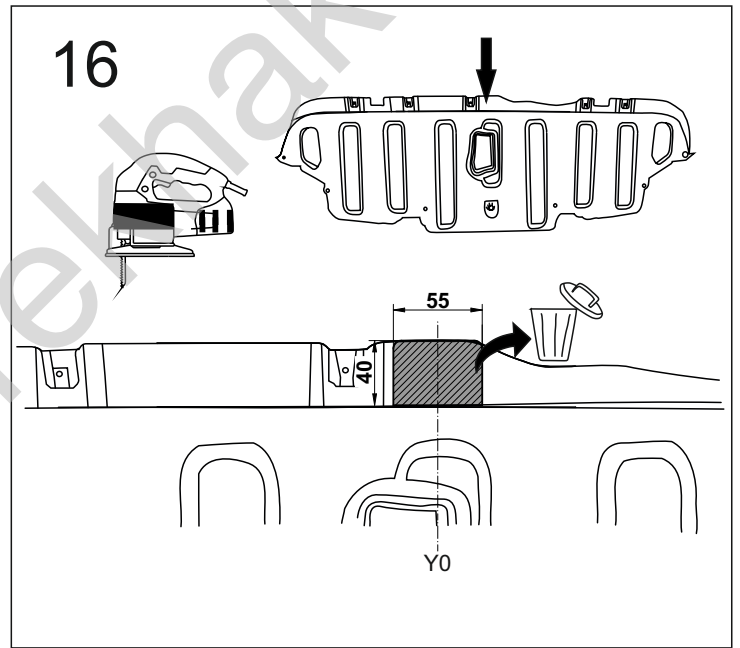
14



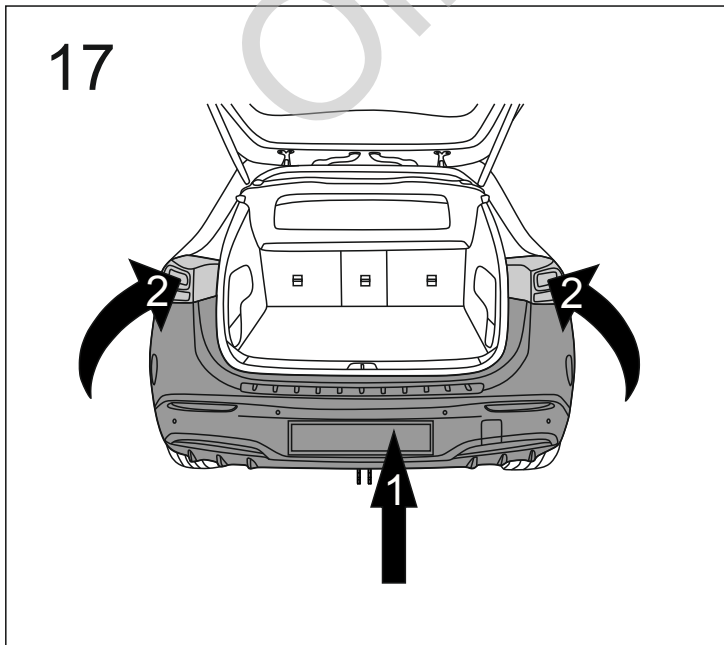
15



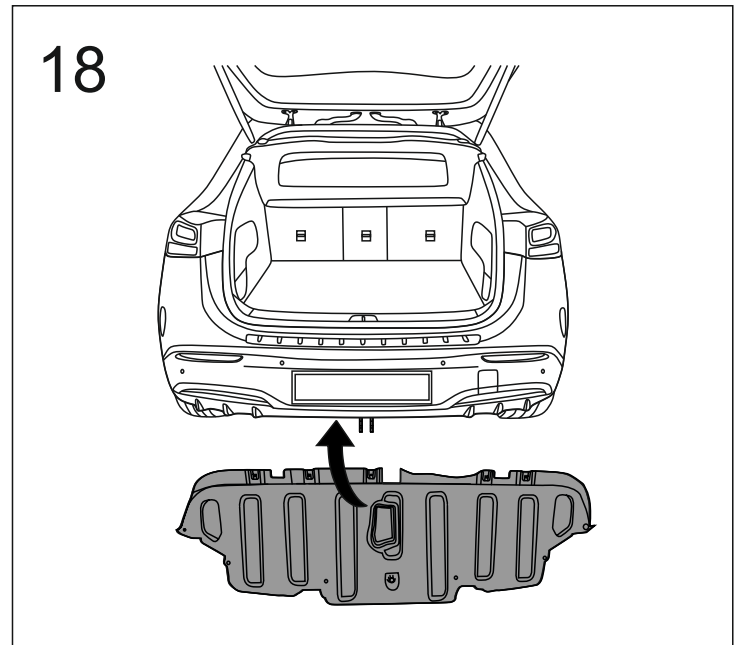
16



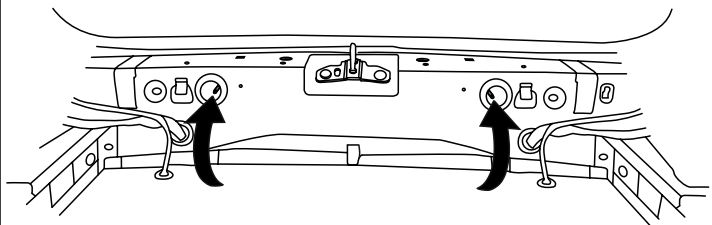
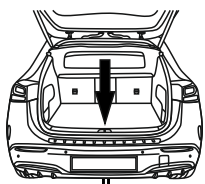
17



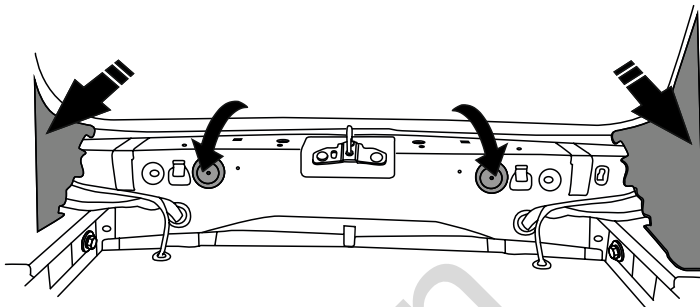
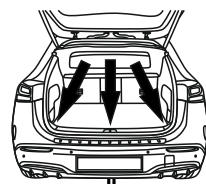
18



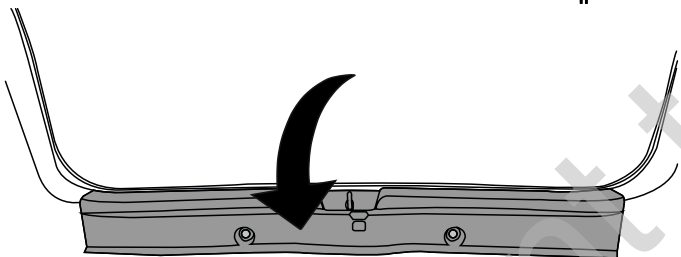
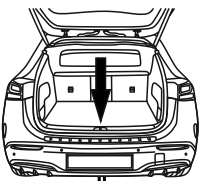
19



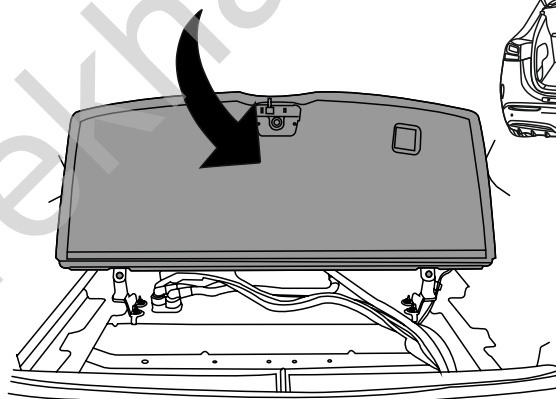
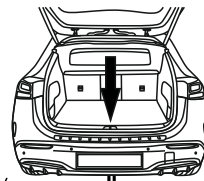
20



21



22



23

