

33-100 Tarnów ul.Przemysłowa 27a  
www.steinhof.pl

**Mercedes C Klasa Coupe (C204)**

**(06/2011 - 2015)**

**Mercedes E Klasa Coupe (C207)**

**(05/2009 - →)**

**M-150**

**Mercedes E Klasa Cabrio (A207)**

**(05/2009 - →)**

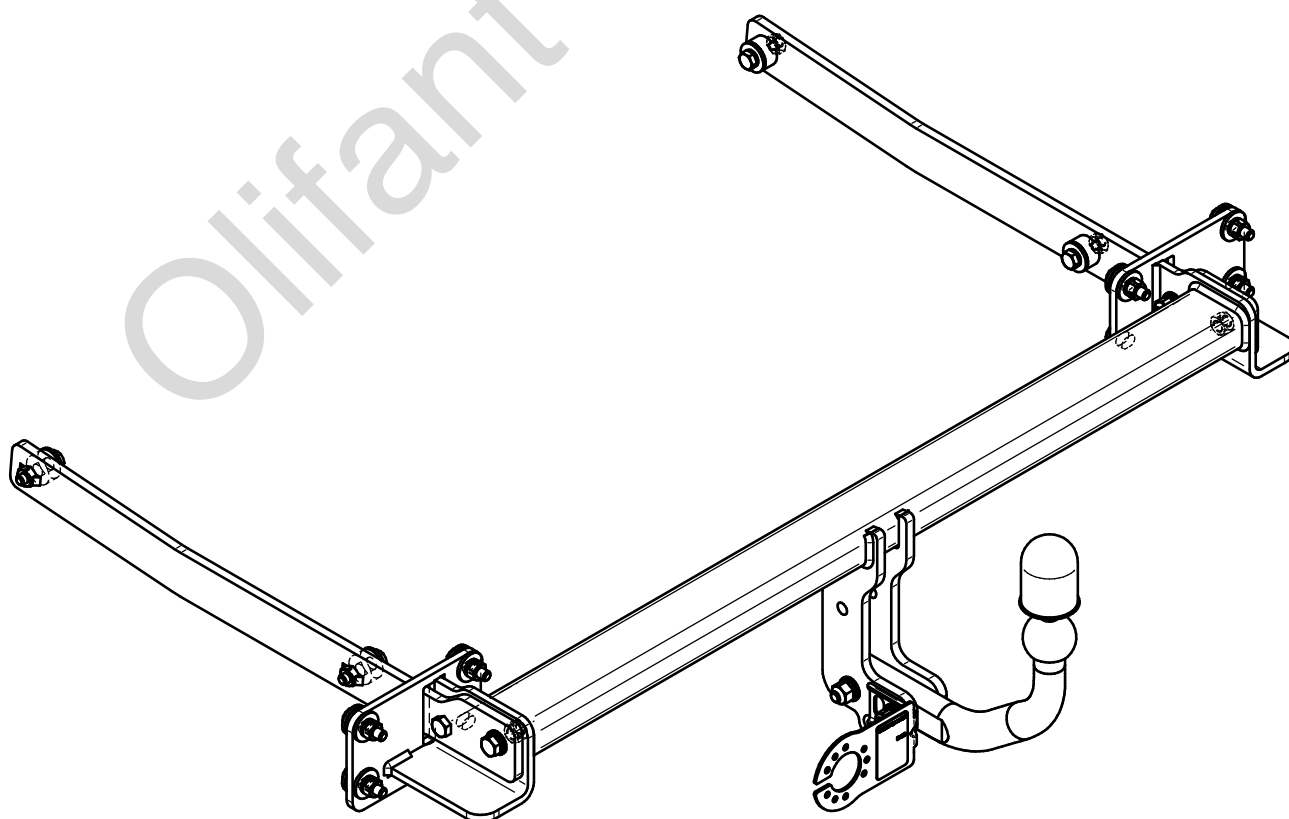
- PL** Zaczep kulowy Instrukcja montażu i eksploatacji
- GB** Tow bar Installation and operating instructions
- D** Die Anhängerkupplung Montage- und Gebrauchsanleitung
- ES** Gancho de remolque Las instrucciones de instalación y de operación
- RU** Фаркоп Инструкция по установке и эксплуатации ТСУ
- FR** Attelage Notice de montage et d'utilisation
- IT** Gancio traino Istruzioni di montaggio
- CZ** Tažné zařízení Návod na montáž a použití
- RO** Cârlig de remorcare Instrucția de montaj și exploatare
- SE** Dragkulan Monterings- och bruksanvisningar.



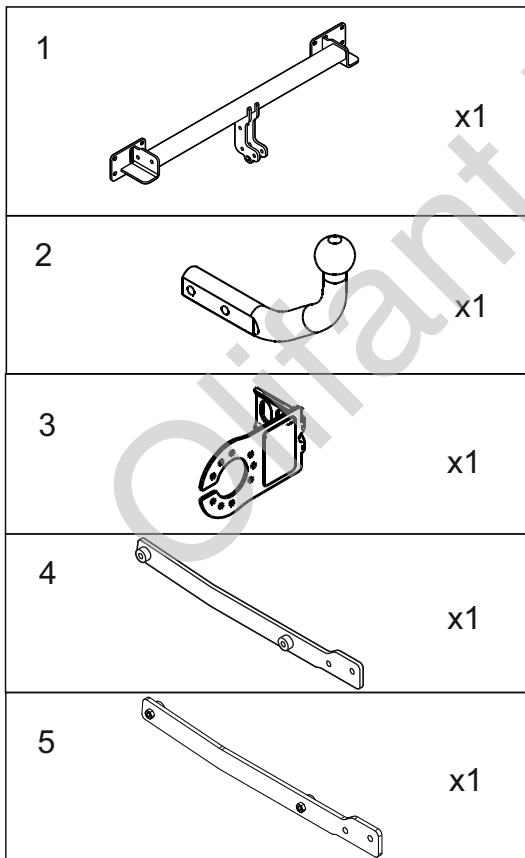
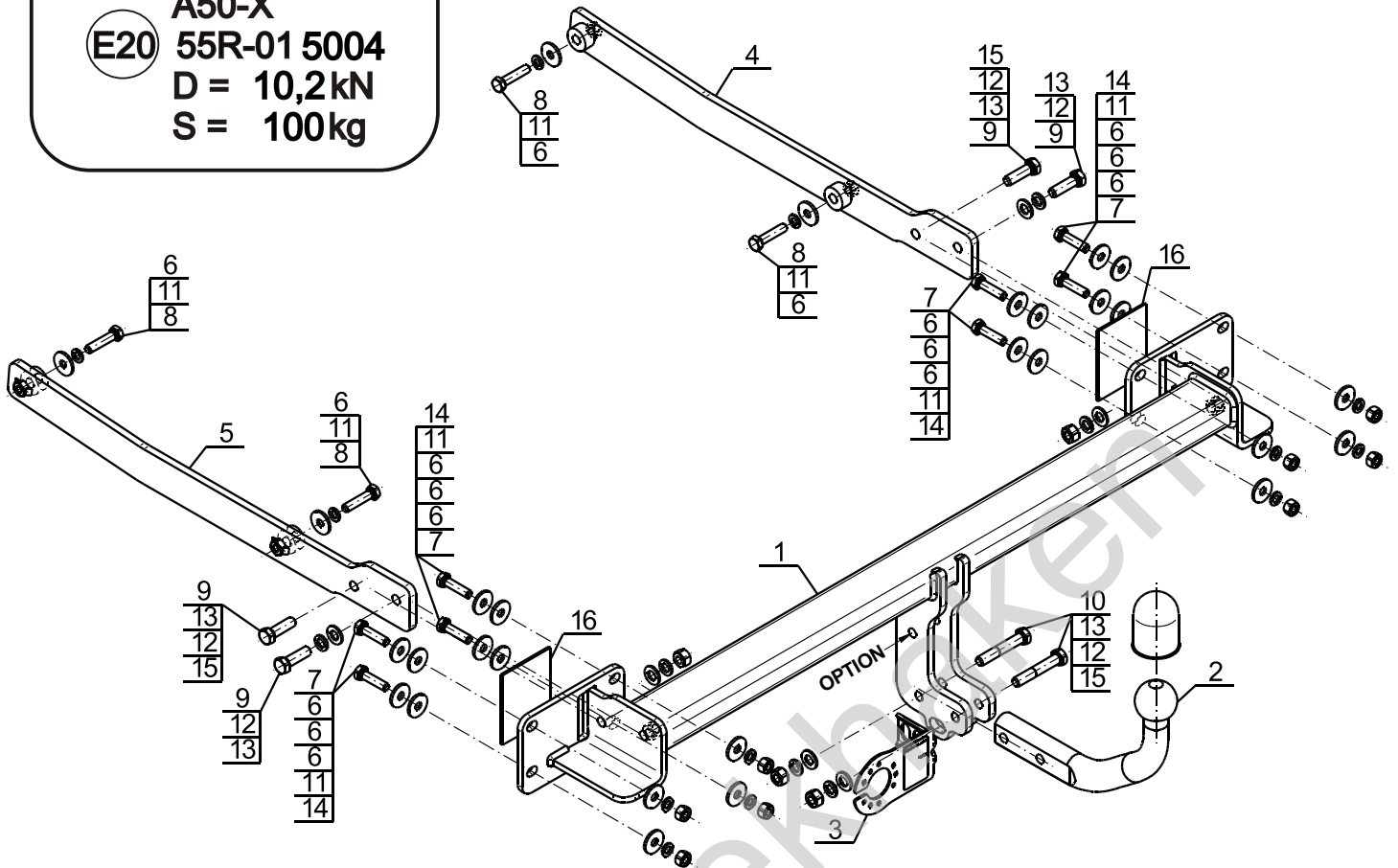
YES  NO



YES  NO



Typ: M-150  
 A50-X  
 E20 55R-01 5004  
 D = 10,2kN  
 S = 100kg



|    |                           |     |
|----|---------------------------|-----|
| 6  | Ø30/Ø10,5x3               | x28 |
| 7  | M10x40 (PN/M-82105) (8.8) | x8  |
| 8  | M10x45 (PN/M-82105) (8.8) | x4  |
| 9  | M12x40 (PN/M-82105) (8.8) | x4  |
| 10 | M12x70 (PN/M-82101) (8.8) | x2  |
| 11 | Ø10,2                     | x12 |
| 12 | Ø12,2                     | x6  |
| 13 | Ø13,0                     | x6  |
| 14 | M10 (8)                   | x8  |
| 15 | M12 (8)                   | x4  |
| 16 | CH-021.01                 | x2  |

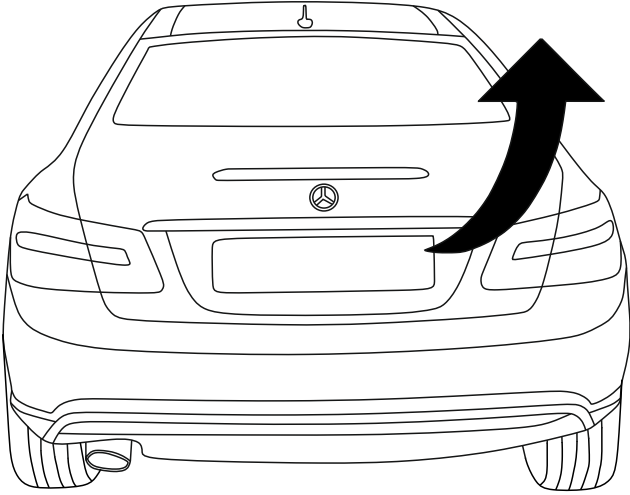
### OPTION

|             |            |           |
|-------------|------------|-----------|
|             | 1x  M12x35 | 1x  Ø12,2 |
| (CZ-050.00) | 1x  Ø13,0  | 1x  M12   |

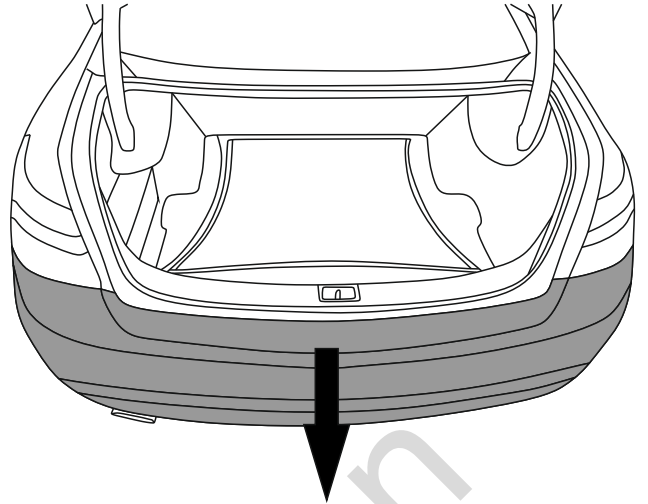


| 8.8           |                |
|---------------|----------------|
| M6 - 10 (Nm)  | M12 - 85 (Nm)  |
| M8 - 25 (Nm)  | M14 - 135 (Nm) |
| M10 - 50 (Nm) | M16 - 200 (Nm) |

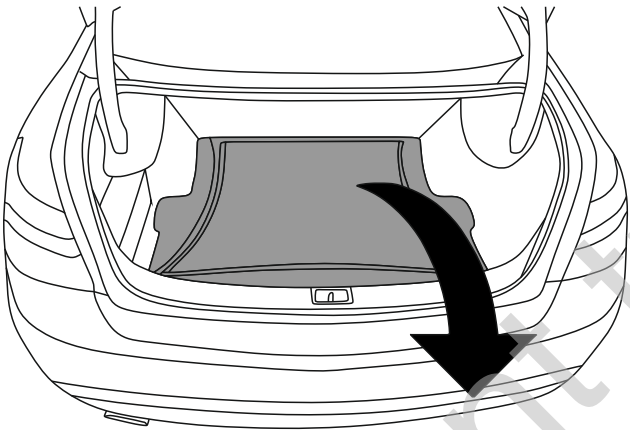
1



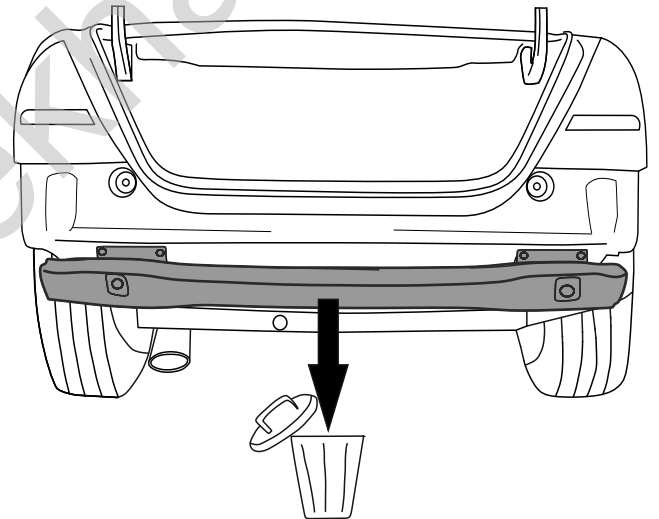
2



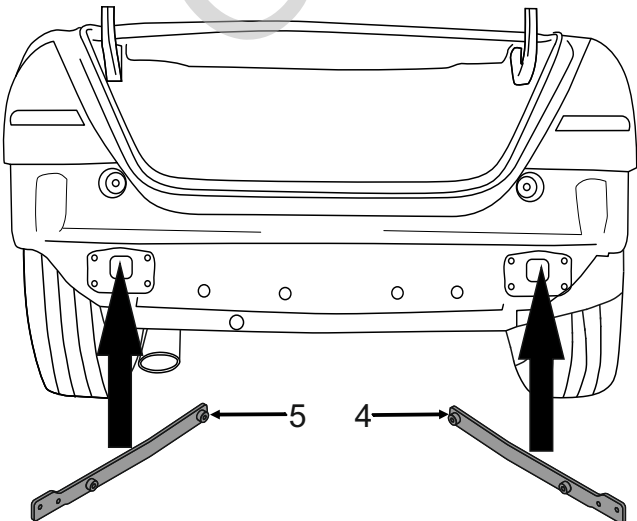
3



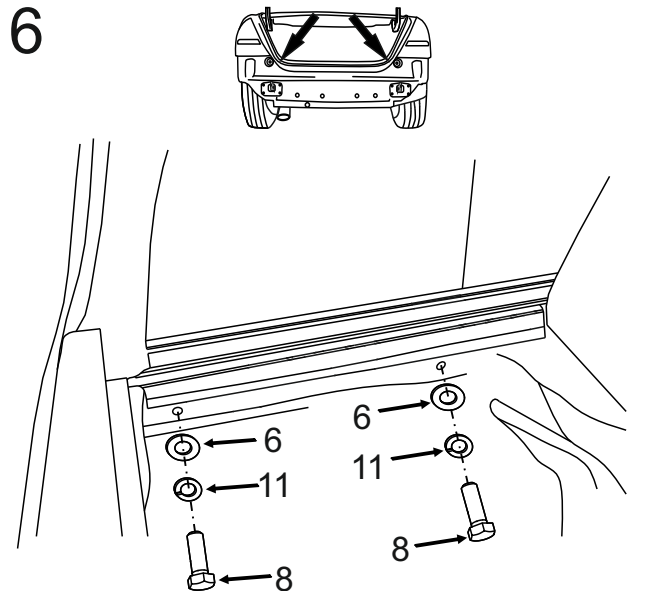
4

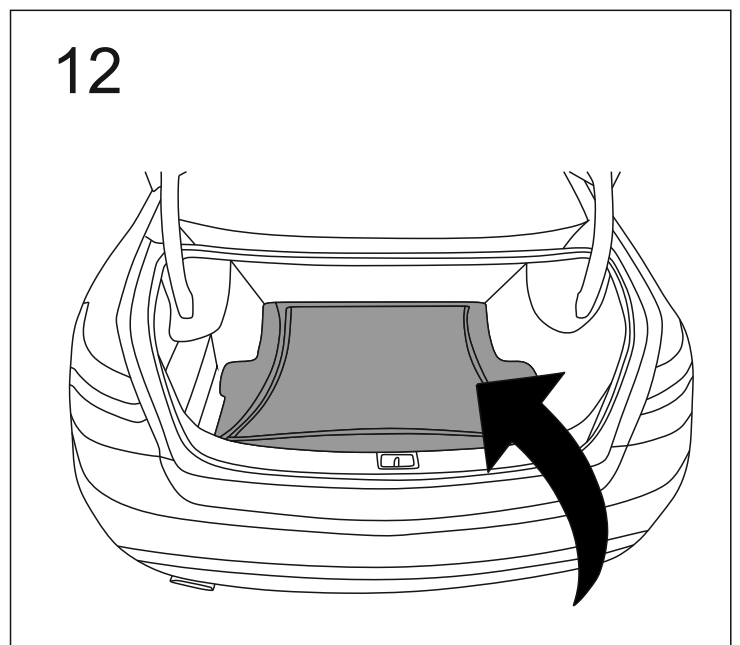
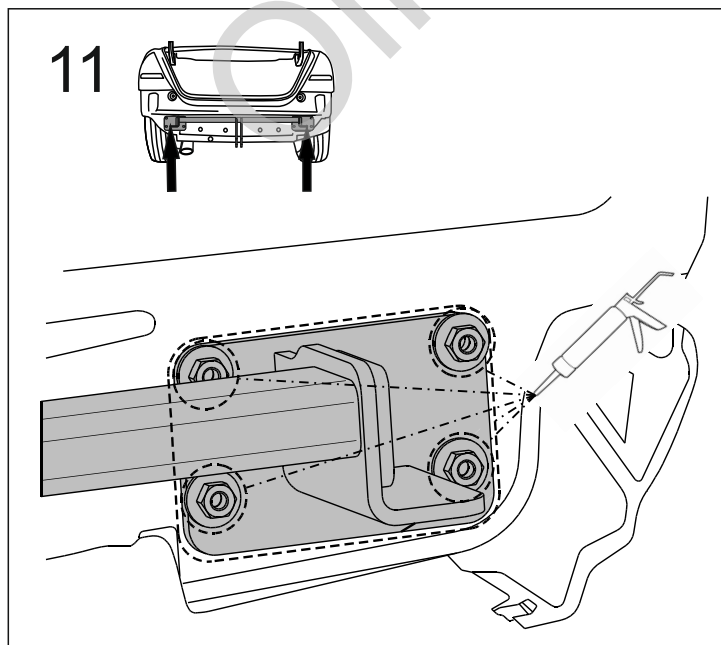
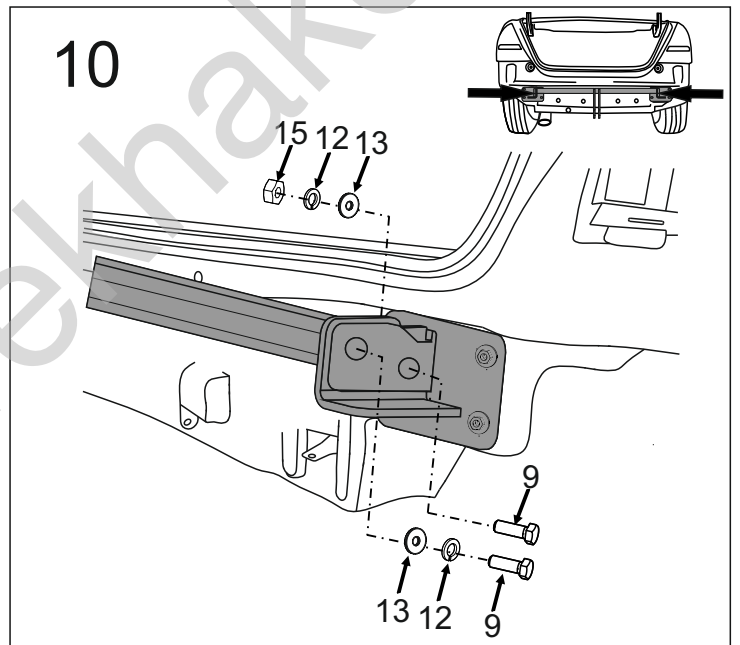
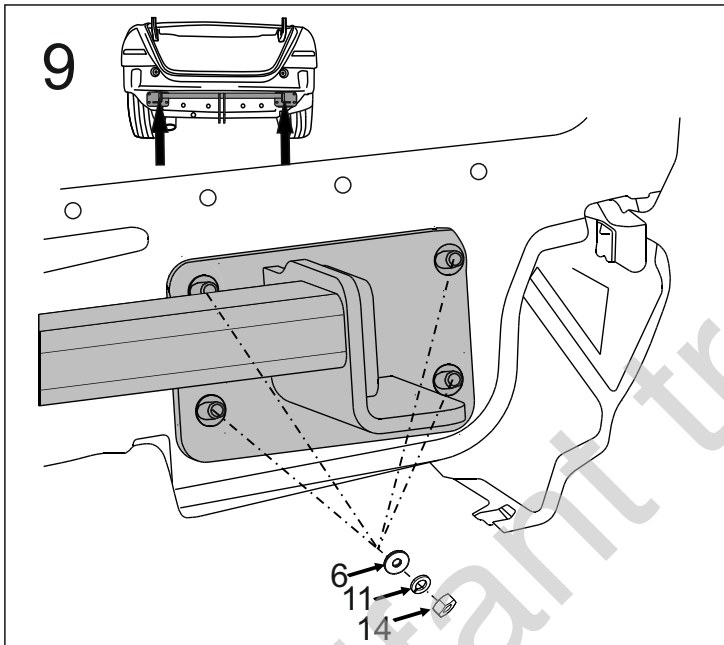
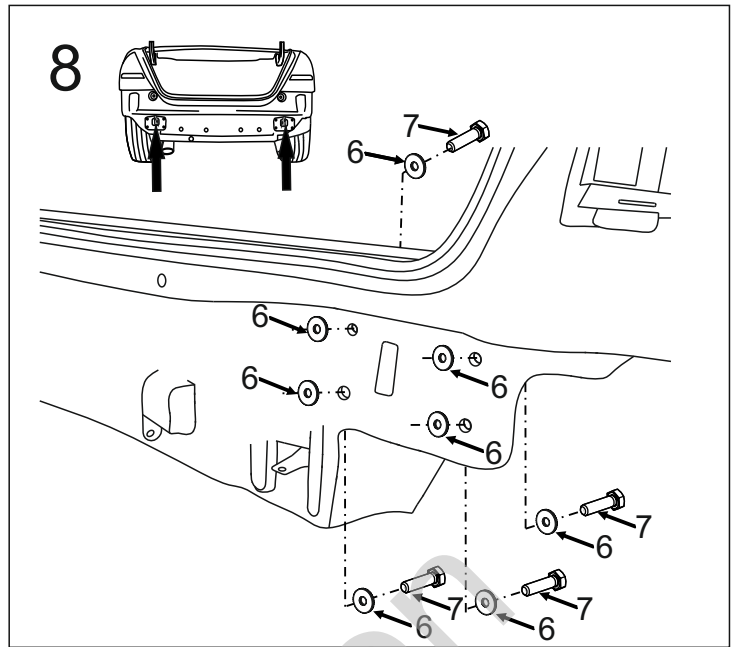
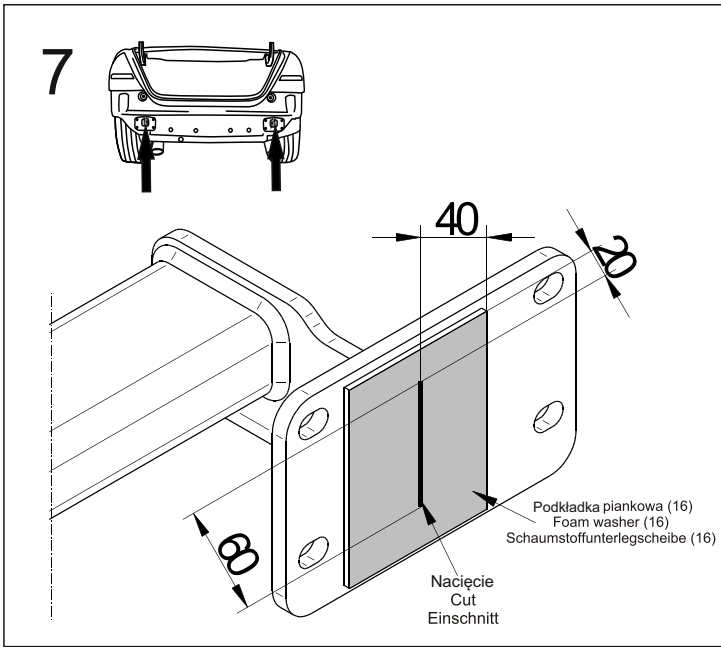


5



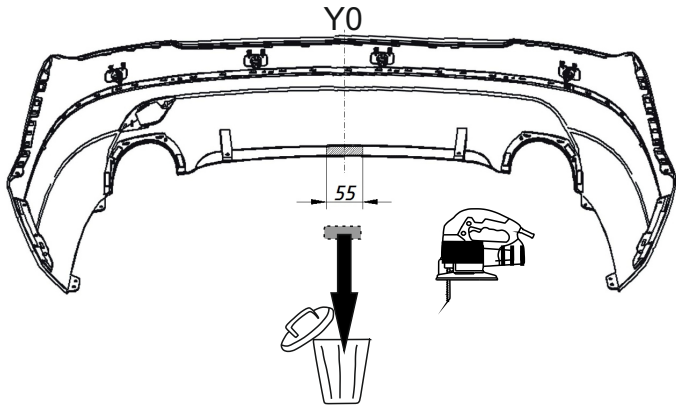
6





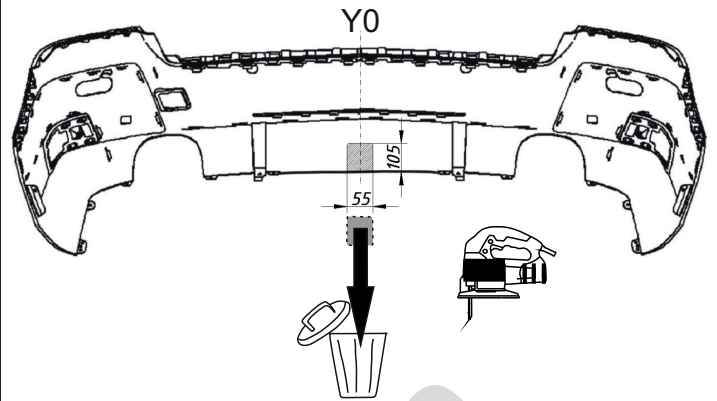
13

Mercedes C Klasa Coupe (C204) (06/2011 ->)

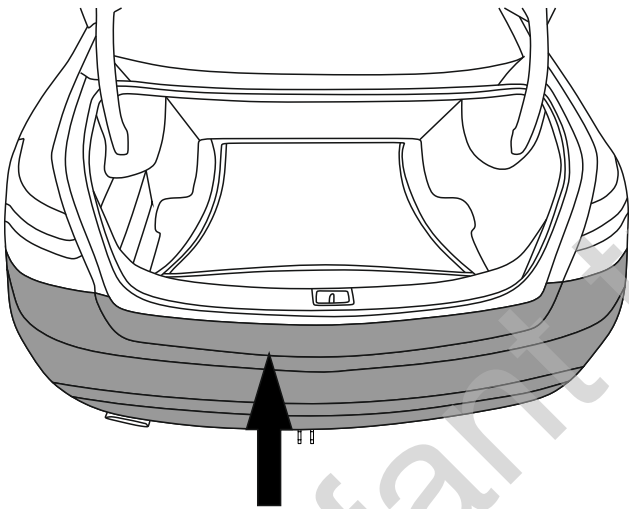


14

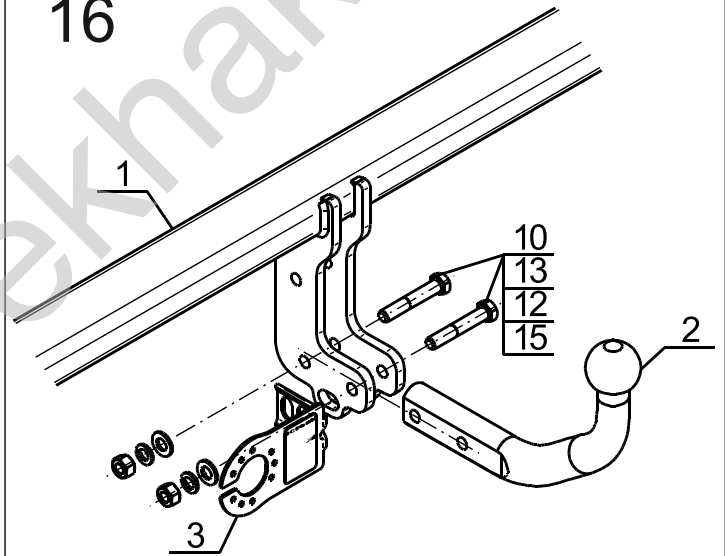
Mercedes E Klasa Coupe (C207) (05/2009 ->)  
Mercedes E Klasa Cabrio (A207) (05/2009 ->)



15



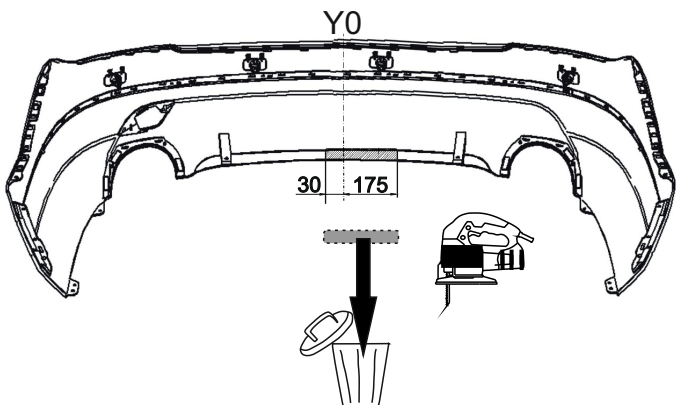
16



## OPTION

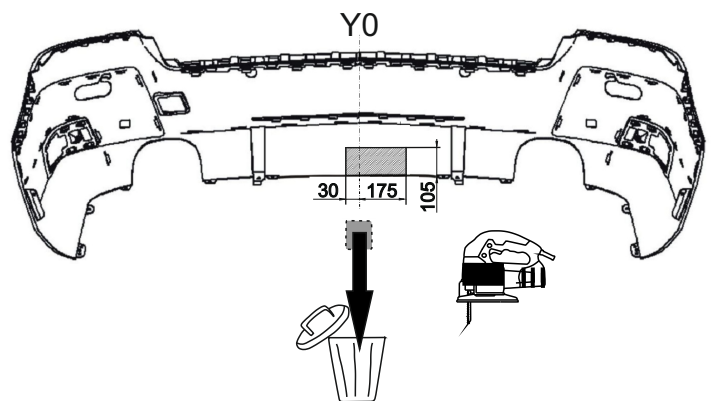
1

Mercedes C Klasa Coupe (C204) (06/2011 ->) (mm)

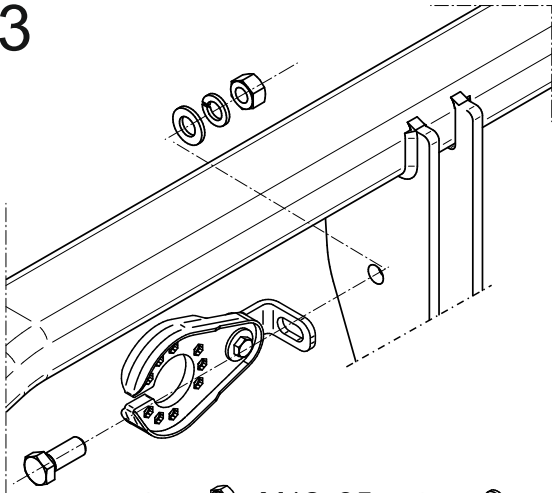






2

Mercedes E Klasa Coupe (C207) (05/2009 ->) (mm)  
Mercedes E Klasa Cabrio (A207) (05/2009 ->) (mm)



3



- |    |   |        |    |   |       |
|----|---|--------|----|---|-------|
| 1x |  | M12x35 | 1x |  | Ø12,2 |
| 1x |  | Ø13,0  | 1x |  | M12   |

Olifant trekhaken