

33-100 Tarnów ul.Przemysłowa 27a
www.steinhof.pl

Mercedes-Benz GL (X164), ~~(AMG)~~ (09/2006 - 2012)
Mercedes-Benz GL (X166), ~~(AMG)~~ (2012 - 2015)
~~(AMG-pakiet)~~
Mercedes-Benz GLS (X166), ~~(AMG)~~ (2015 - 2019)
(+AMG-pakiet)

M-143

- PL** Zaczep Kulowy Instrukcja montażu i eksploatacji
- GB** Tow bar Installation and operating instructions
- D** Die Anhängerkupplung Montage- und Gebrauchsanleitung
- ES** Gancho de remolque Las instrucciones de instalación y de operación
- RU** Фаркоп Инструкция по установке и эксплуатации ТСУ
- FR** Attelage Notice de montage et d'utilisation
- IT** Gancio traino Istruzioni di montaggio
- CZ** Tažné zařízení Návod na montáž a použití
- RO** Cârlig de remorcare Instrucția de montaj și exploatare
- SE** Dragkulan Monterings- och bruksanvisningar.



| | |
|-------------------------------------|--------------------------|
| YES | NO |
| <input checked="" type="checkbox"/> | <input type="checkbox"/> |

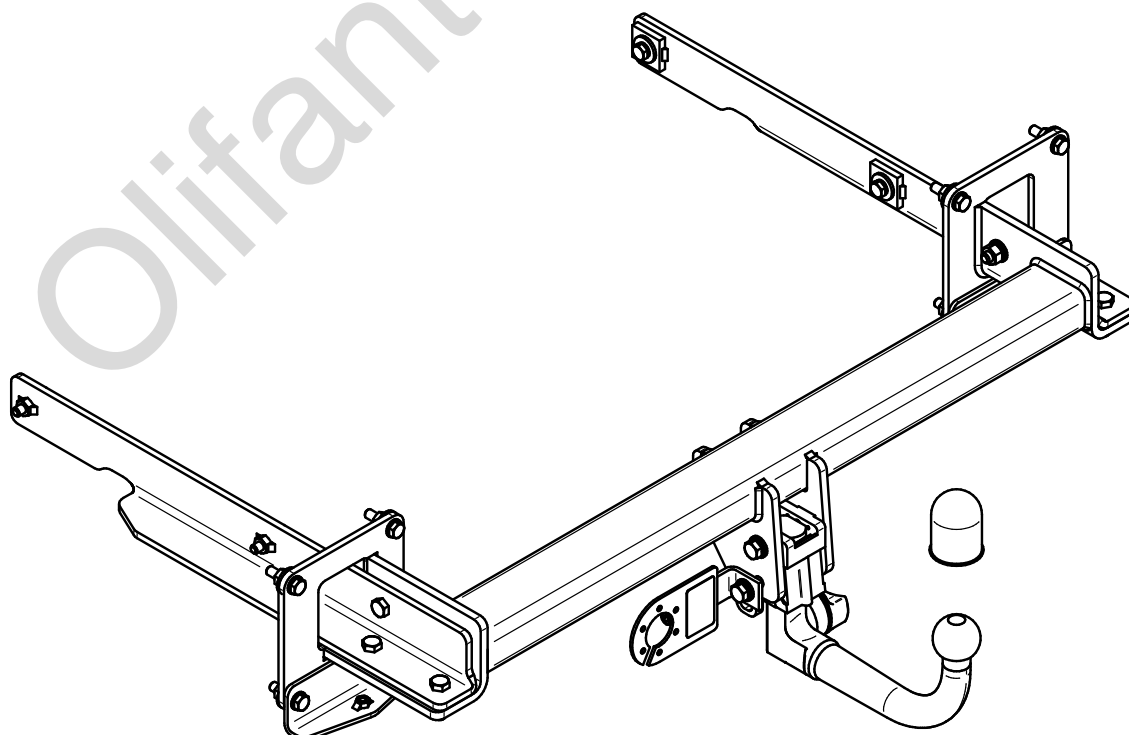


| | |
|--------------------------|-------------------------------------|
| YES | NO |
| <input type="checkbox"/> | <input checked="" type="checkbox"/> |

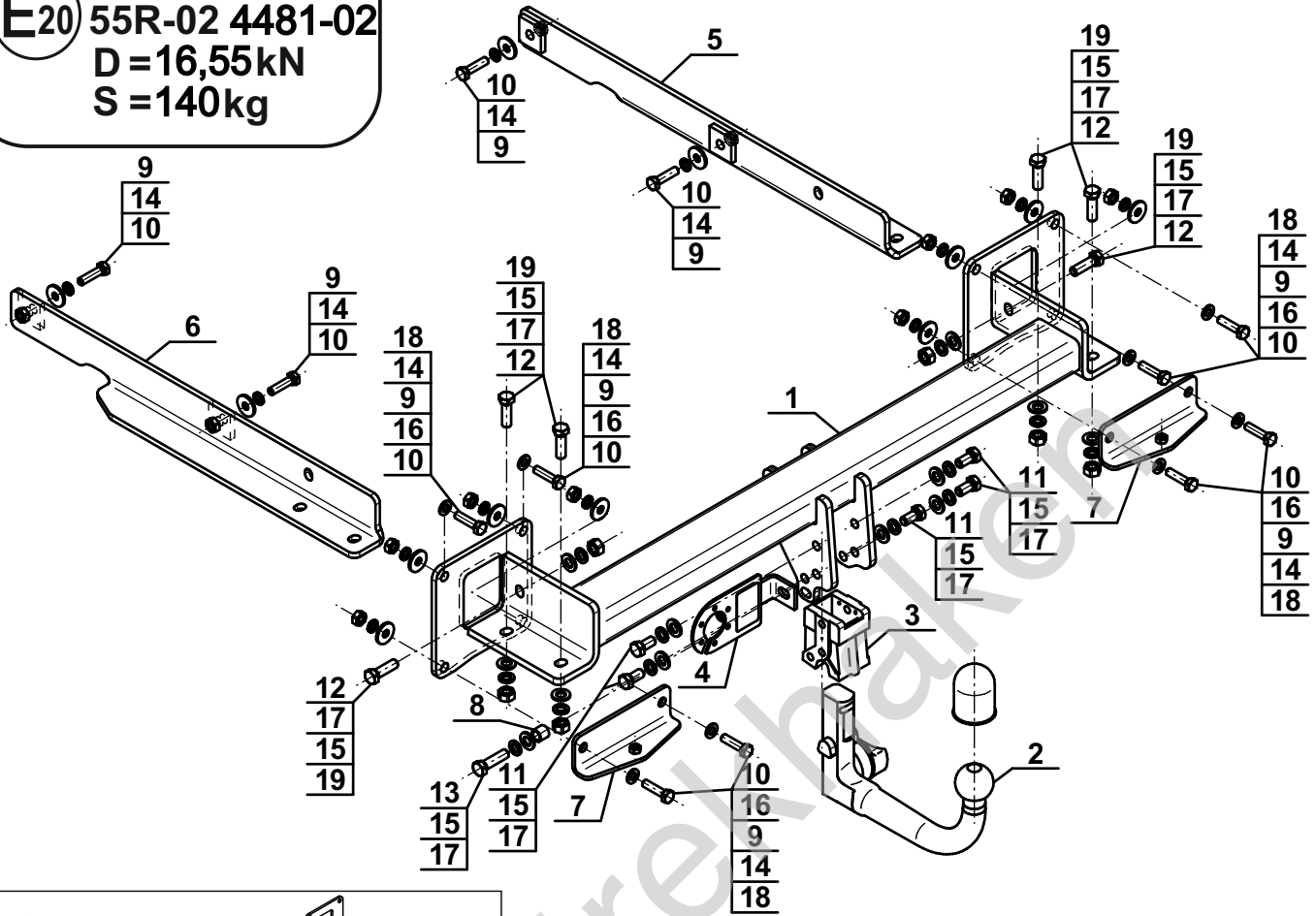
Mercedes-Benz
GLS (X166),
(+AMG-pakiet)



| | |
|-------------------------------------|--------------------------|
| YES | NO |
| <input checked="" type="checkbox"/> | <input type="checkbox"/> |



Typ: M-143
 A50-X
 E20 55R-02 4481-02
 D = 16,55kN
 S = 140kg



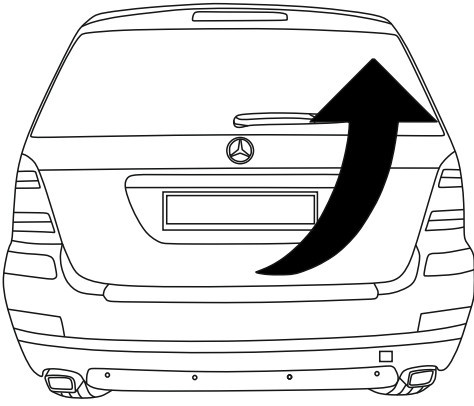
| | | |
|---|-------------|----|
| 1 | | x1 |
| 2 | | x1 |
| | (ACS-6017) | |
| 3 | | x1 |
| 4 | | x1 |
| | (CZ-050.00) | |
| 5 | | x1 |
| 6 | | x1 |

| | | | |
|----|--|---------------------------|-----|
| 7 | | x2 | |
| 8 | | Ø20/Ø12,5x15 | x1 |
| 9 | | Ø30/Ø10,5x3 | x12 |
| 10 | | M10x40 (PN/M-82105) (8.8) | x12 |
| 11 | | M12x25 (PN/M-82105) (8.8) | x5 |
| 12 | | M12x40 (PN/M-82105) (8.8) | x6 |
| 13 | | M12x45 (PN/M-82105) (8.8) | x1 |
| 14 | | Ø10,2 | x12 |
| 15 | | Ø12,2 | x12 |
| 16 | | Ø10,5 | x8 |
| 17 | | Ø13,0 | x12 |
| 18 | | M10 (8) | x8 |
| 19 | | M12 (8) | x6 |

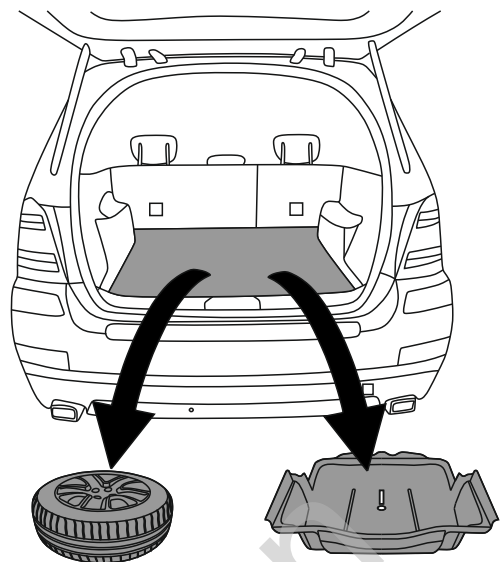


| 8.8 | |
|---------------|----------------|
| M6 - 10 (Nm) | M12 - 85 (Nm) |
| M8 - 25 (Nm) | M14 - 135 (Nm) |
| M10 - 50 (Nm) | M16 - 200 (Nm) |

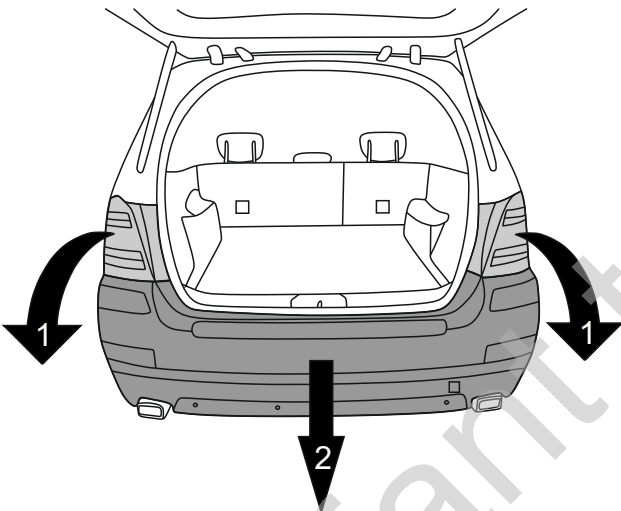
1



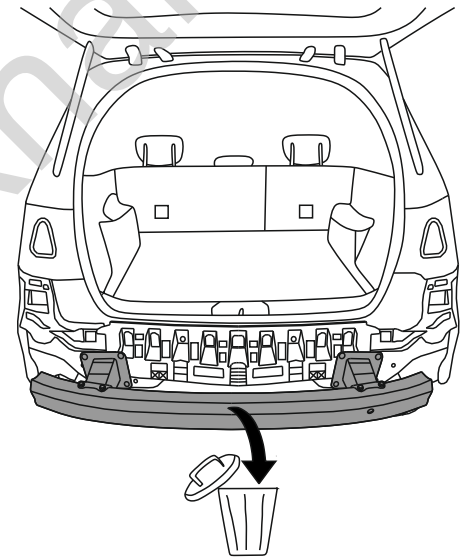
2



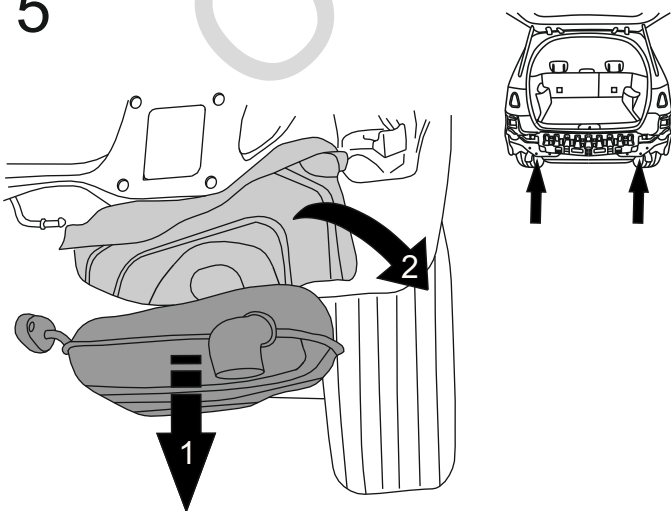
3



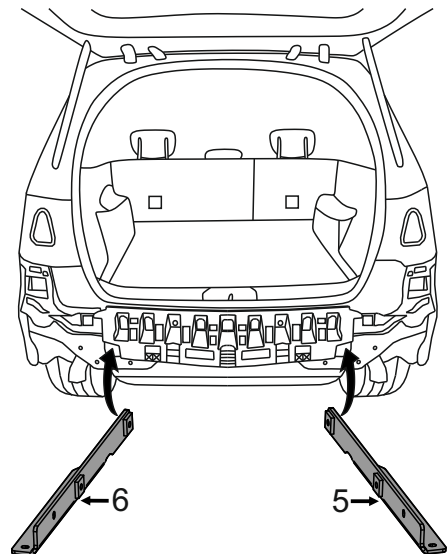
4

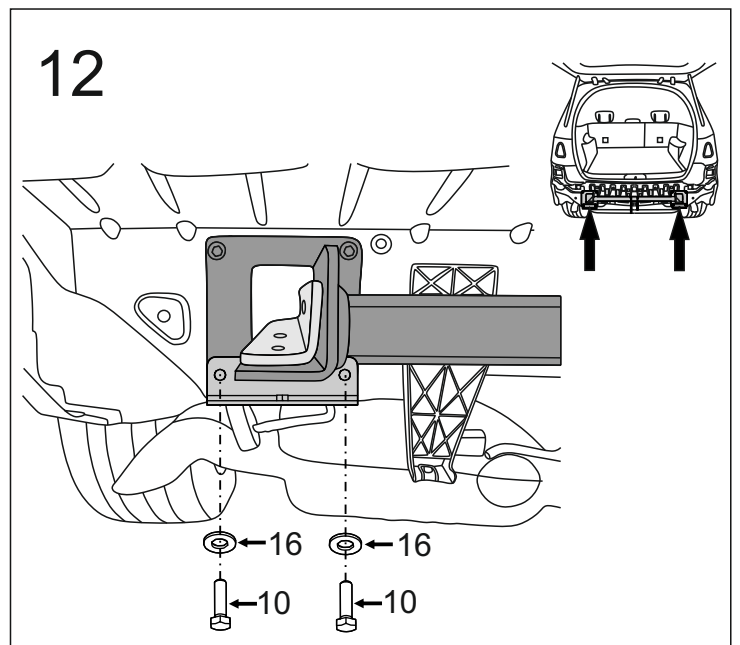
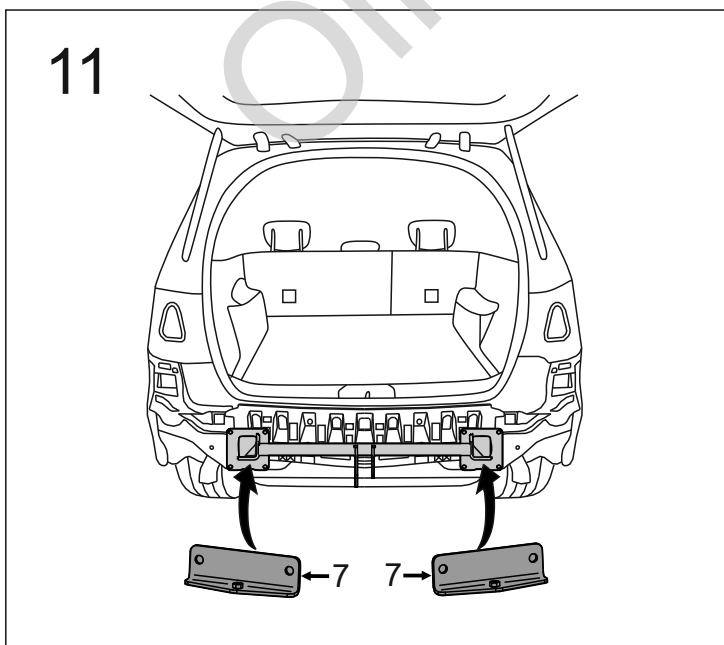
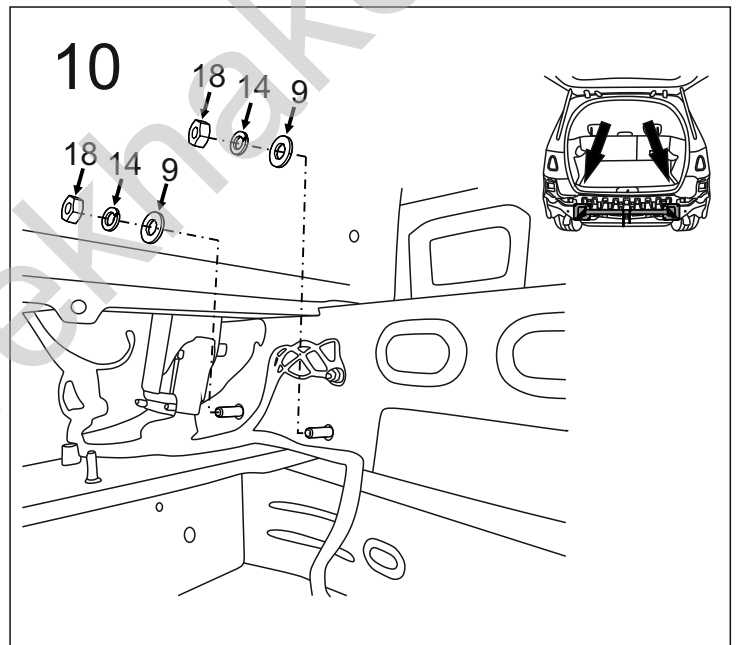
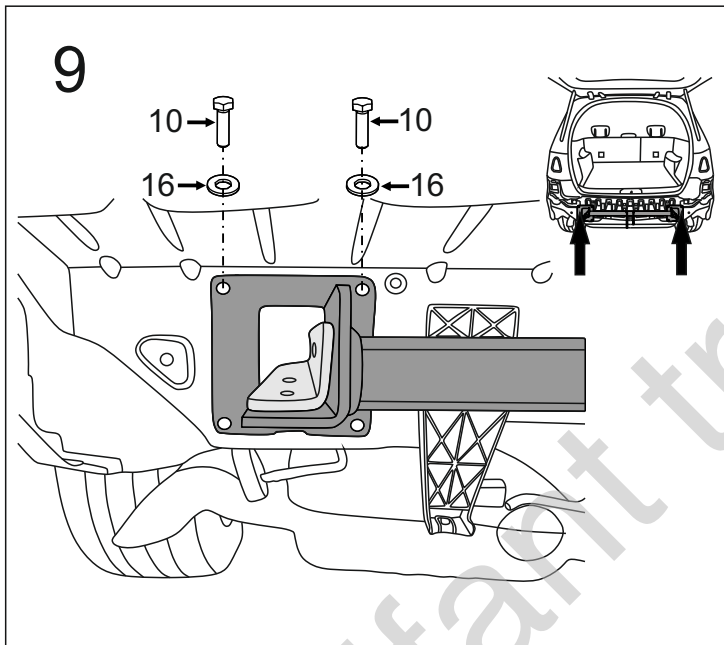
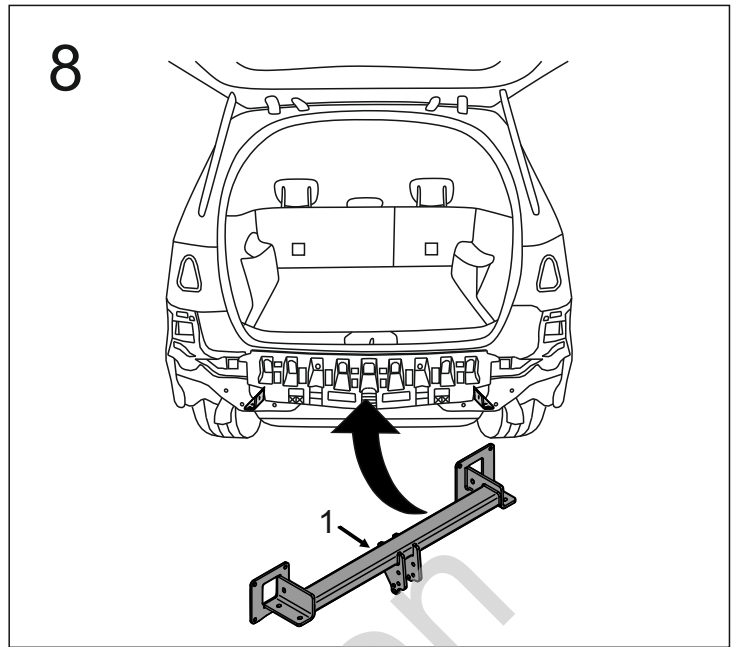
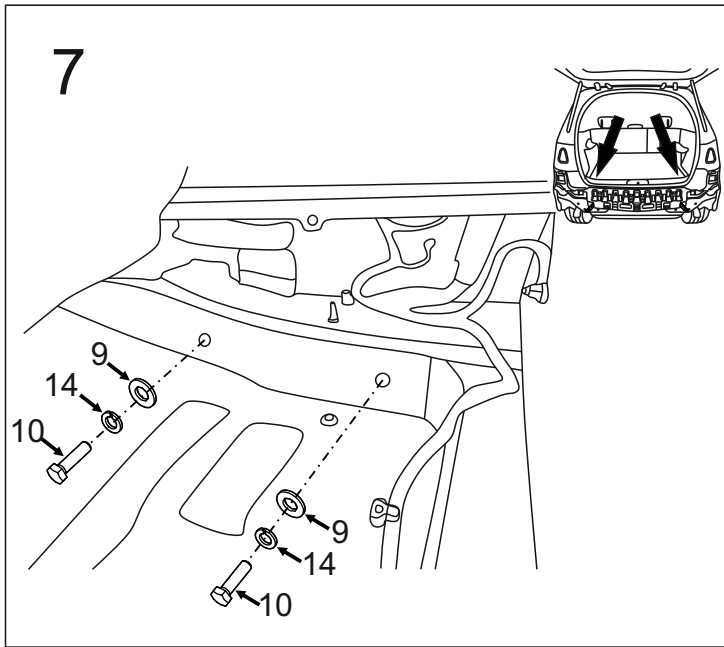


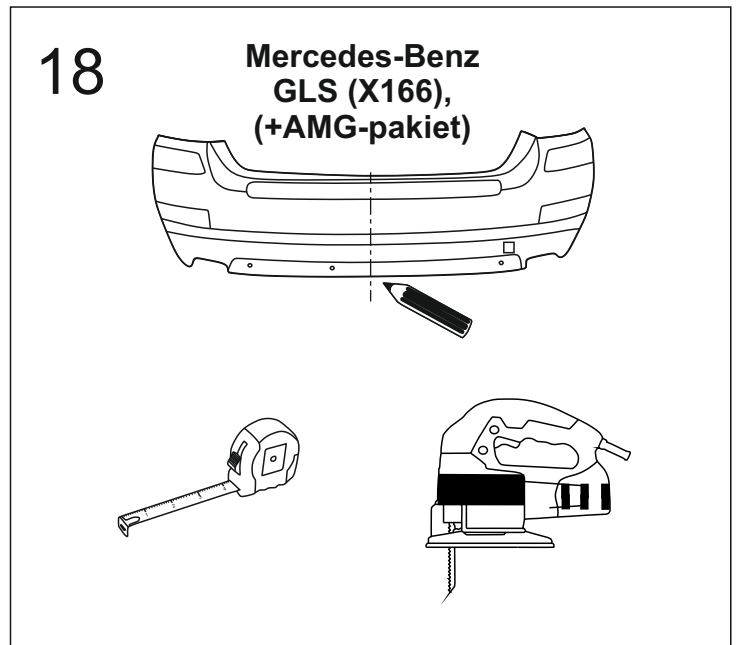
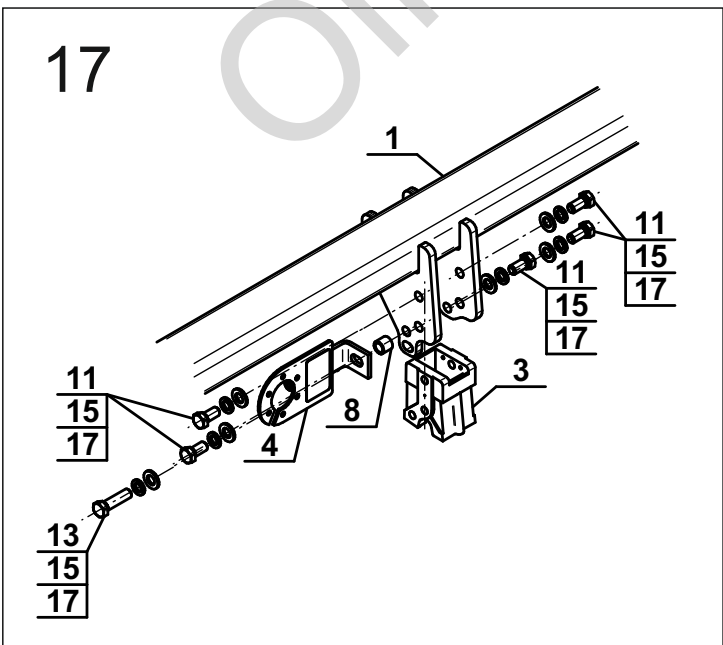
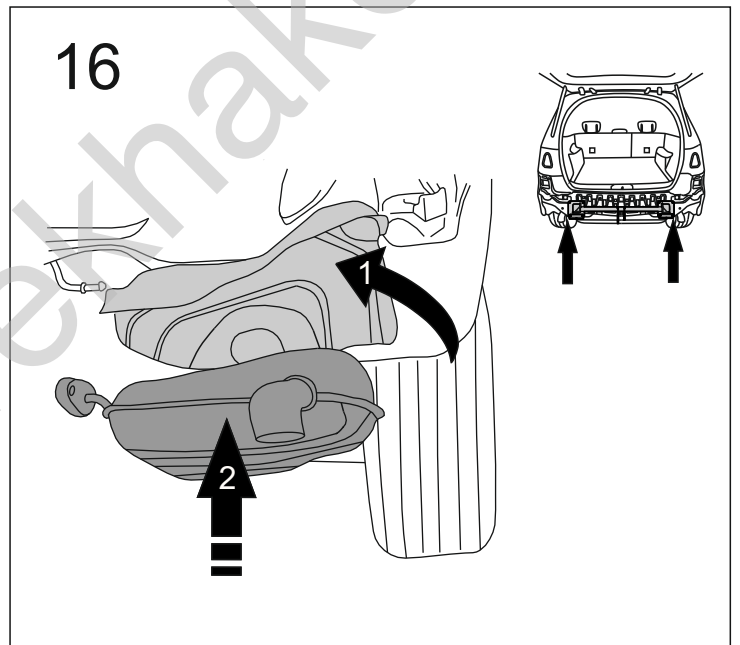
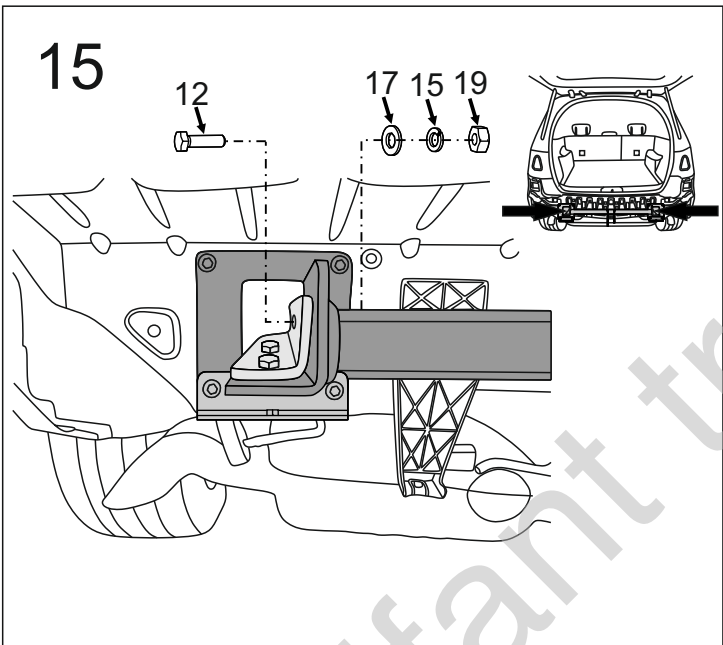
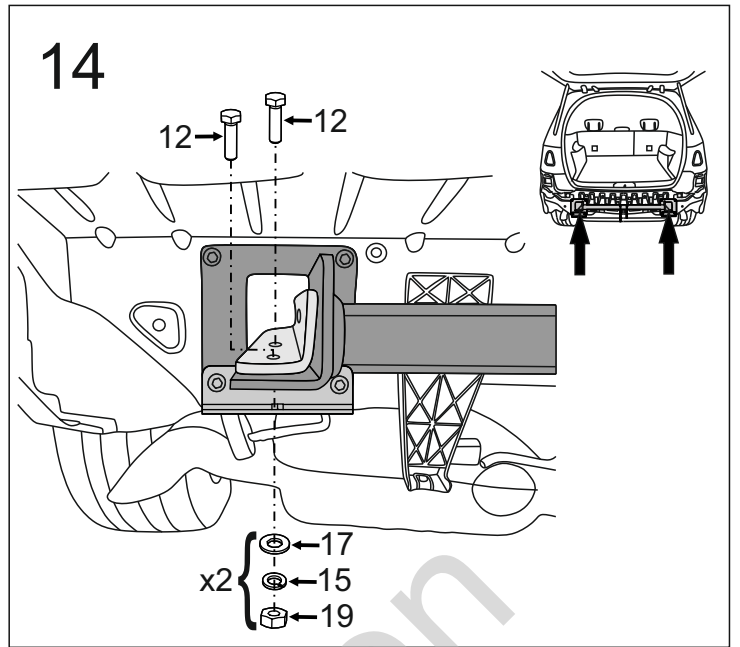
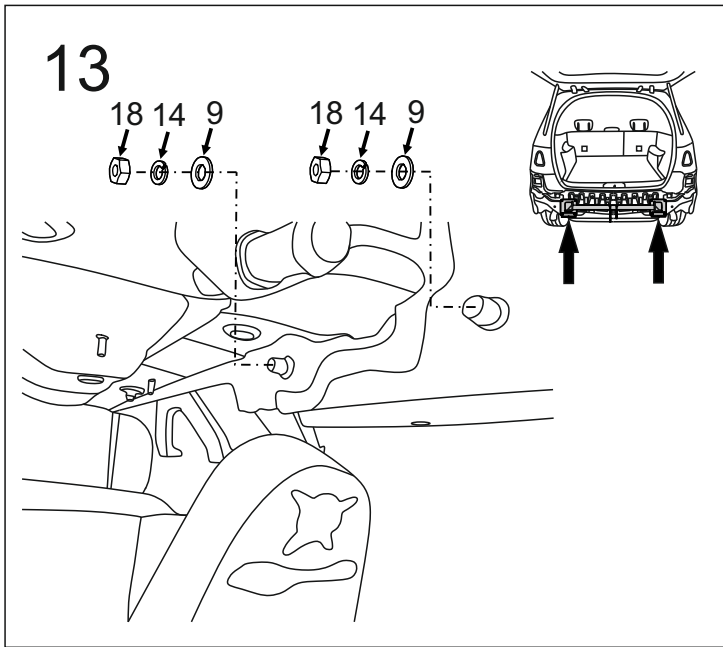
5



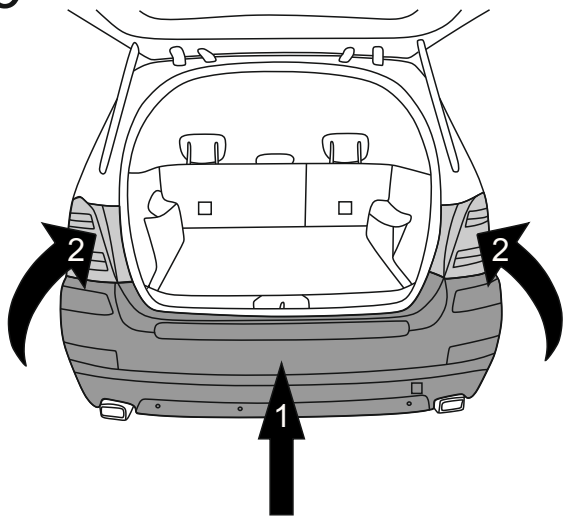
6



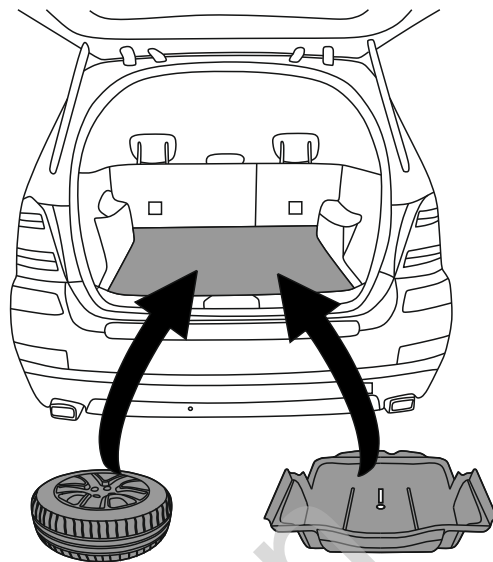




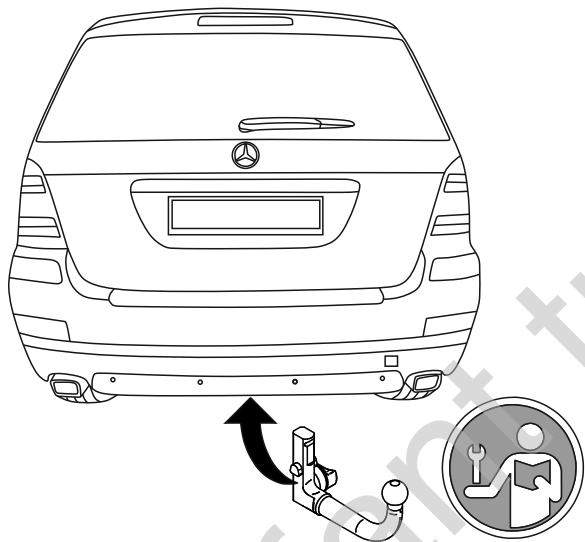
19



20



21



Olifant trekhakeri