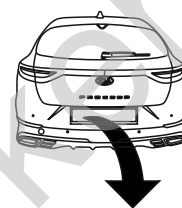


**Kia ProCeed GT 5D (CD)**

**(10/2018 - →)**

**K-087**

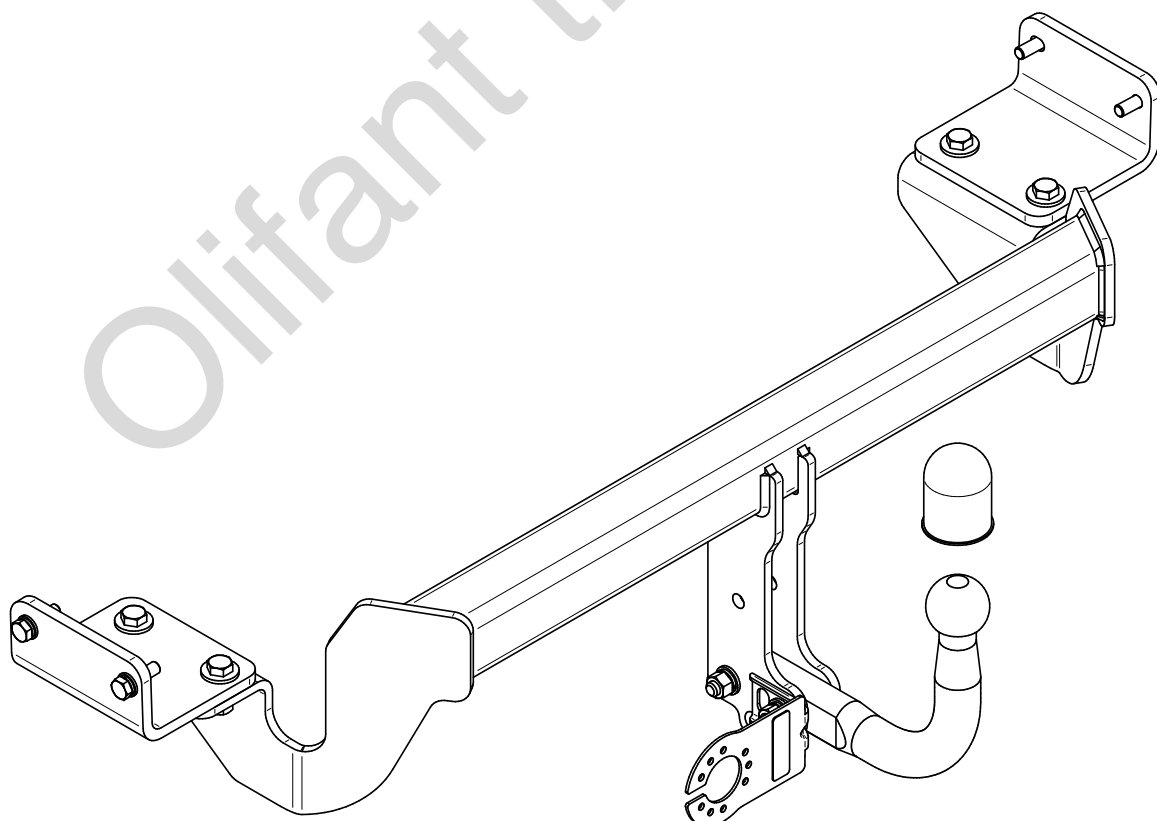
- PL** **Zaczep Kulowy** Instrukcja montażu i eksploatacji
- GB** **Tow bar** Installation and operating instructions
- D** **Die Anhängerkupplung** Montage- und Gebrauchsanleitung
- ES** **Gancho de remolque** Las instrucciones de instalación y de operación
- RU** **Фаркоп** Инструкция по установке и эксплуатации ТСУ
- FR** **Attelage** Notice de montage et d'utilisation
- IT** **Gancio traino** Istruzioni di montaggio
- CZ** **Tažné zařízení** Návod na montáž a použití
- RO** **Cârlig de remorcare** Instrucția de montaj și exploatare
- SE** **Dragkulan** Monterings- och bruksanvisningar.



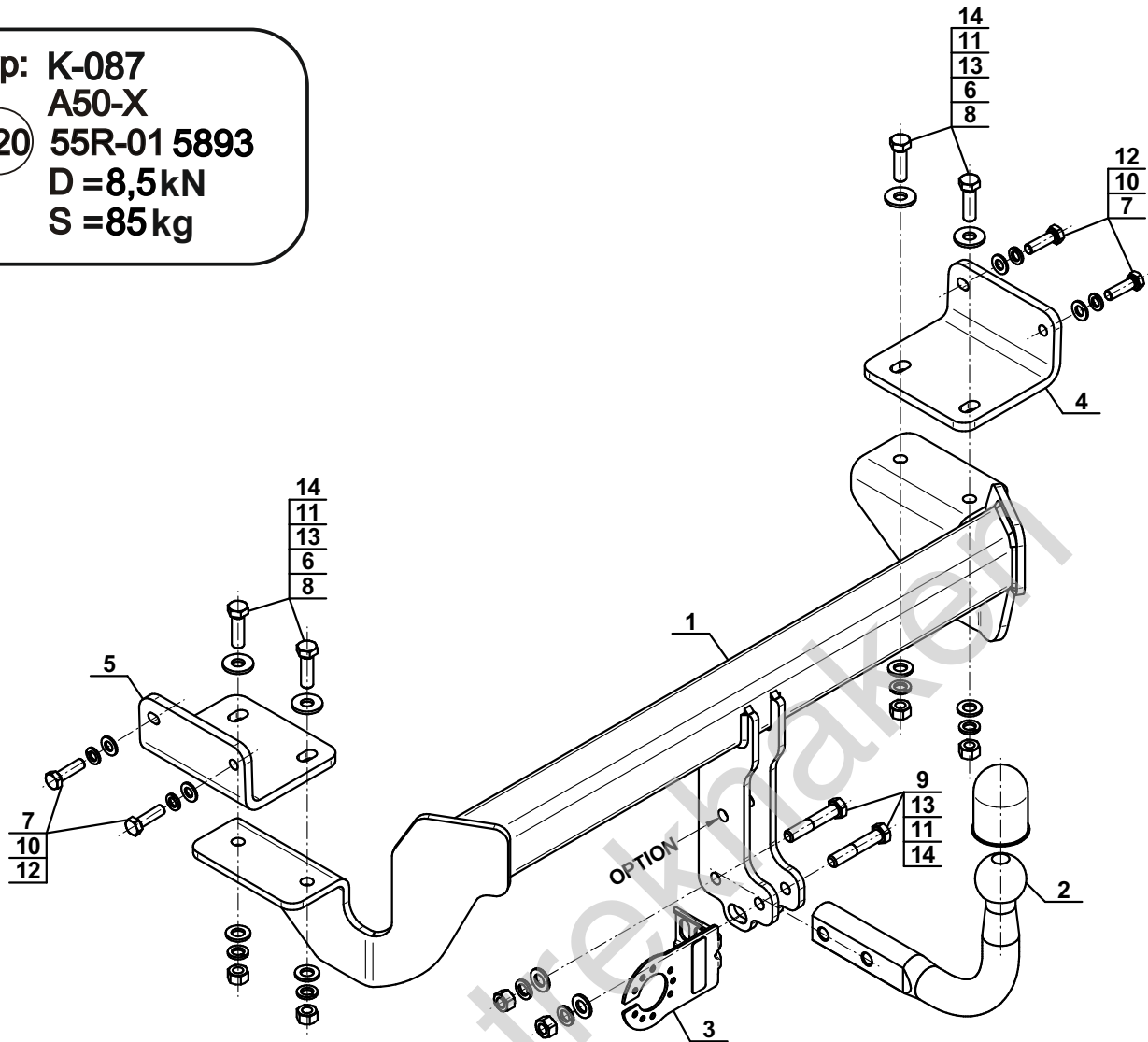
|                                     |                          |
|-------------------------------------|--------------------------|
| YES                                 | NO                       |
| <input checked="" type="checkbox"/> | <input type="checkbox"/> |



|                          |                                     |
|--------------------------|-------------------------------------|
| YES                      | NO                                  |
| <input type="checkbox"/> | <input checked="" type="checkbox"/> |



Typ: K-087  
 A50-X  
 (E20) 55R-01 5893  
 D = 8,5kN  
 S = 85kg



|   |  |    |
|---|--|----|
| 1 |  | x1 |
| 2 |  | x1 |
| 3 |  | x1 |
| 4 |  | x1 |
| 5 |  | x1 |

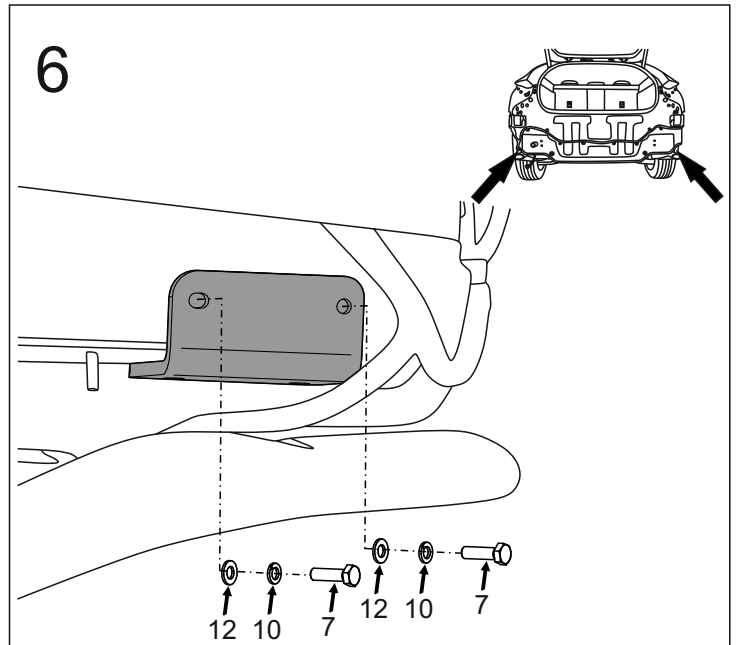
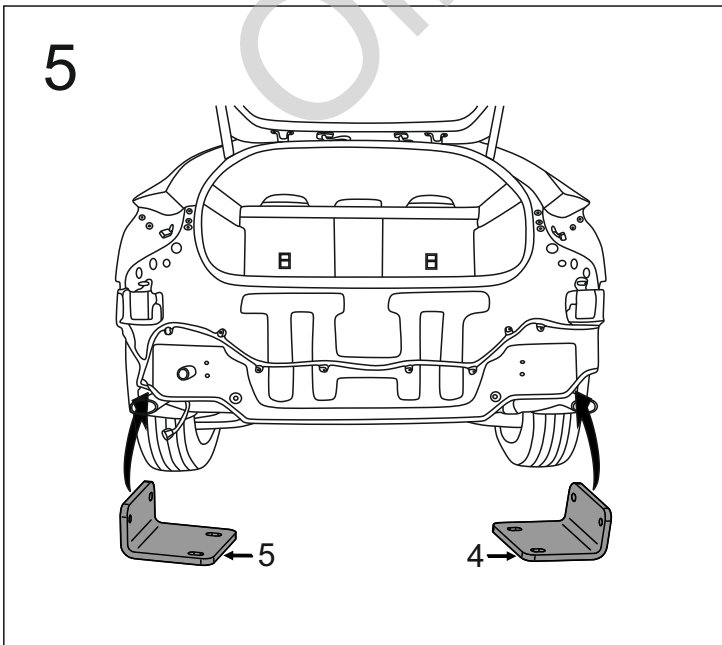
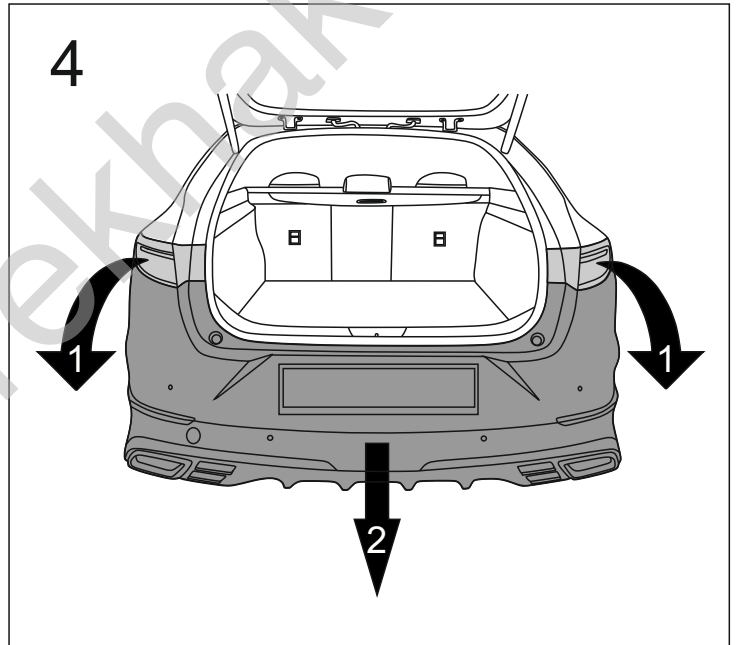
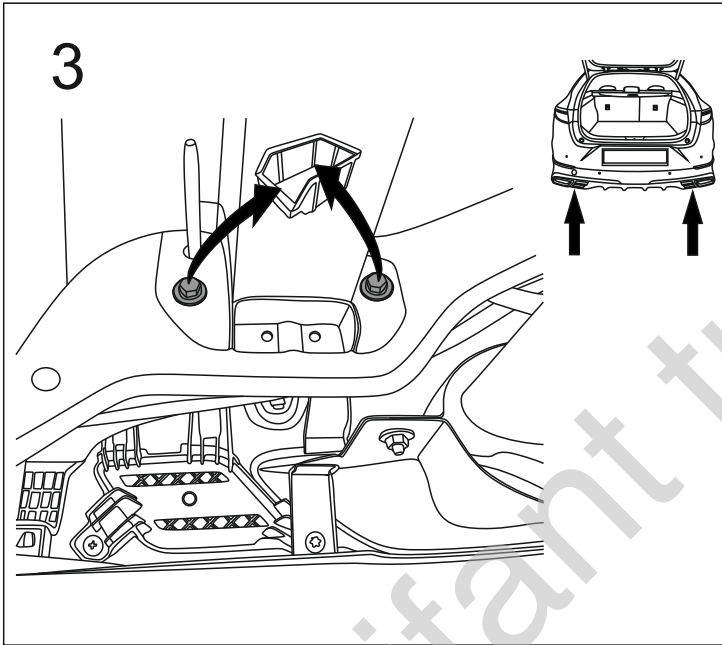
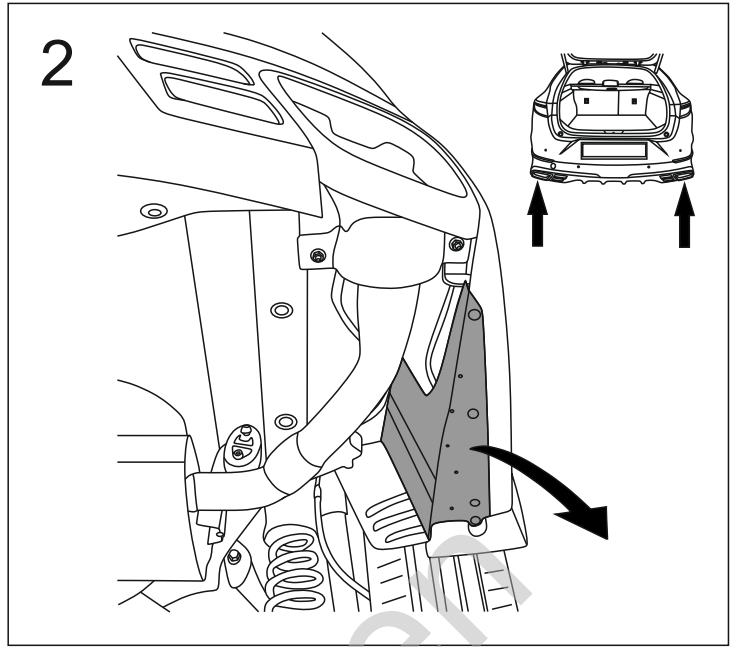
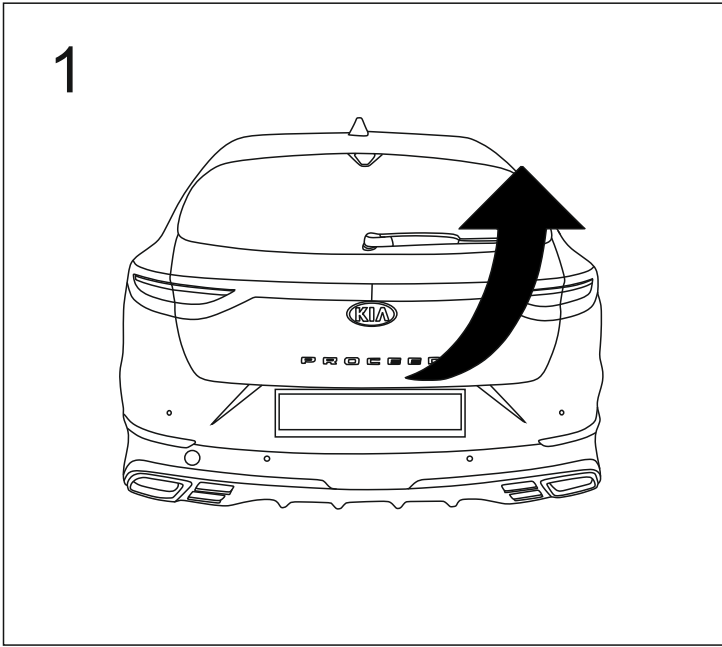
|    |  |                                |    |
|----|--|--------------------------------|----|
| 6  |  | Ø30/Ø12,5x3                    | x4 |
| 7  |  | M10x1,25x35 (PN/M-82105) (8.8) | x4 |
| 8  |  | M12x40 (PN/M-82105) (8.8)      | x4 |
| 9  |  | M12x65 (PN/M-82101) (8.8)      | x2 |
| 10 |  | Ø10,2                          | x4 |
| 11 |  | Ø12,2                          | x6 |
| 12 |  | Ø10,5                          | x4 |
| 13 |  | Ø13,0                          | x6 |
| 14 |  | M12 (8)                        | x6 |

### OPTION

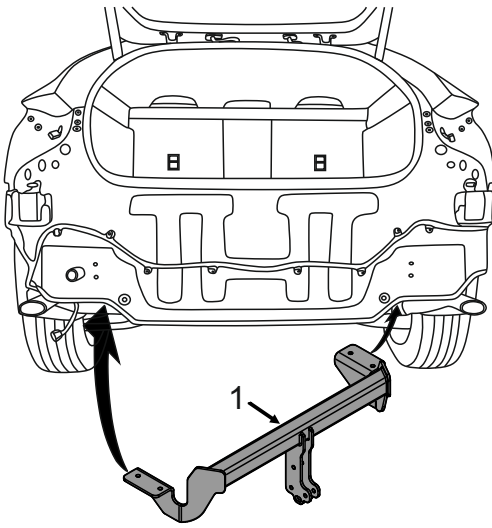
|             |    |        |    |       |
|-------------|----|--------|----|-------|
|             | 1x | M12x35 | 1x | Ø12,2 |
|             | 1x | Ø13,0  | 1x | M12   |
| (CZ-050.00) |    |        |    |       |



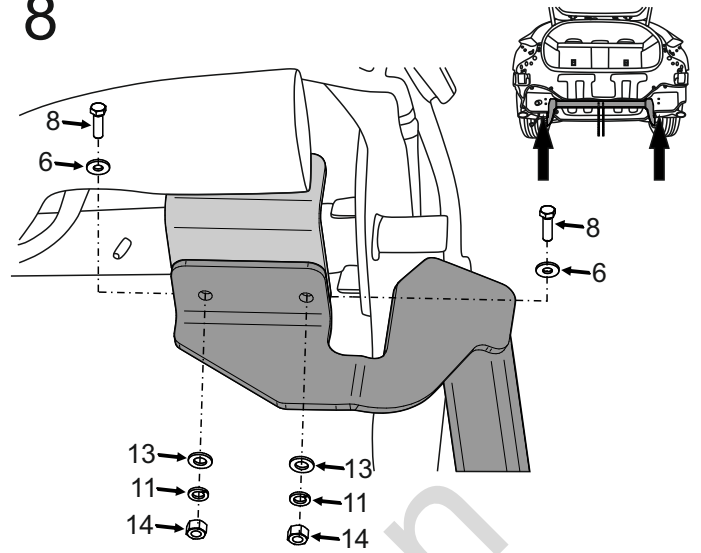
| 8.8           |                |
|---------------|----------------|
| M6 - 10 (Nm)  | M12 - 85 (Nm)  |
| M8 - 25 (Nm)  | M14 - 135 (Nm) |
| M10 - 50 (Nm) | M16 - 200 (Nm) |



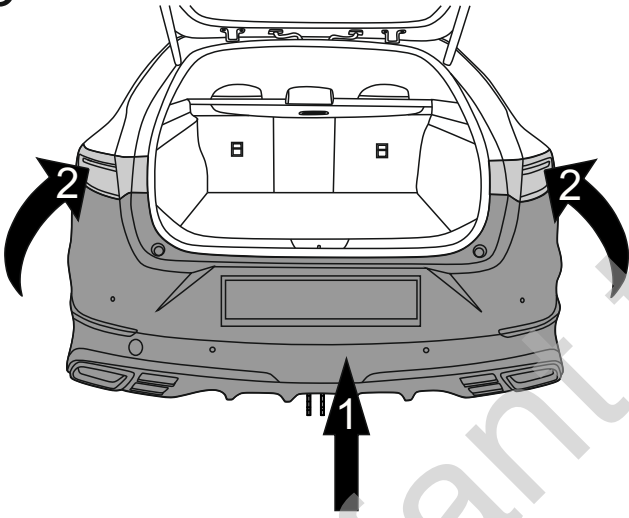
7



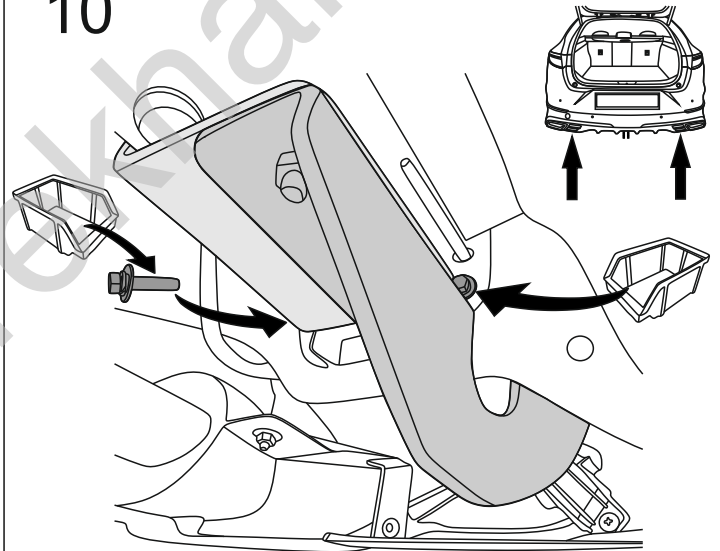
8



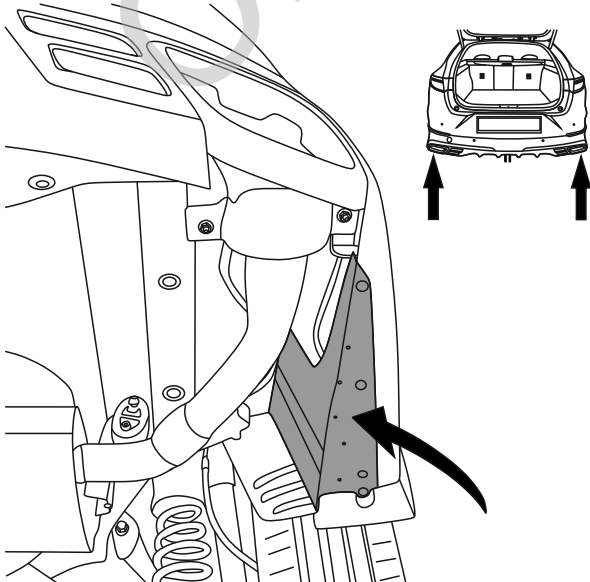
9



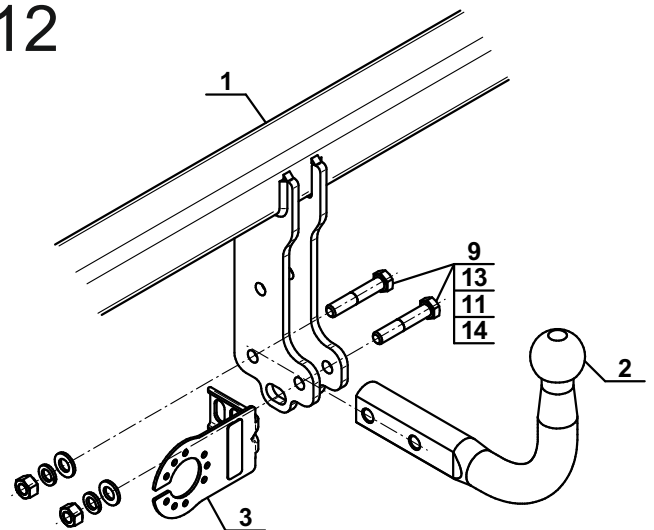
10



11

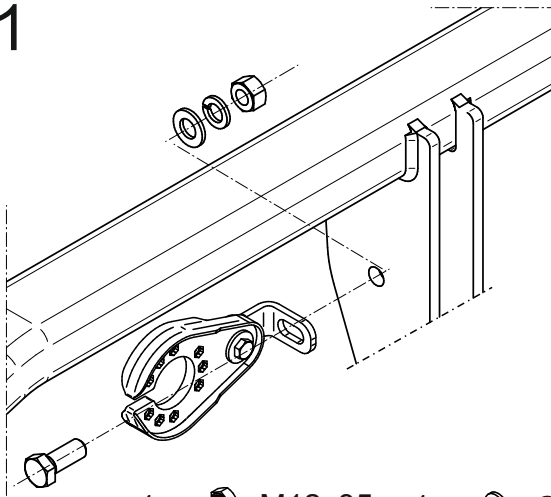






12



# OPTION

1



- |    |   |        |    |   |       |
|----|---|--------|----|---|-------|
| 1x |  | M12x35 | 1x |  | Ø12,2 |
| 1x |  | Ø13,0  | 1x |  | M12   |

Olifant trekhaken