

**Honda Civic (5D)**

**(2012 -12/2014)**

**H-043**

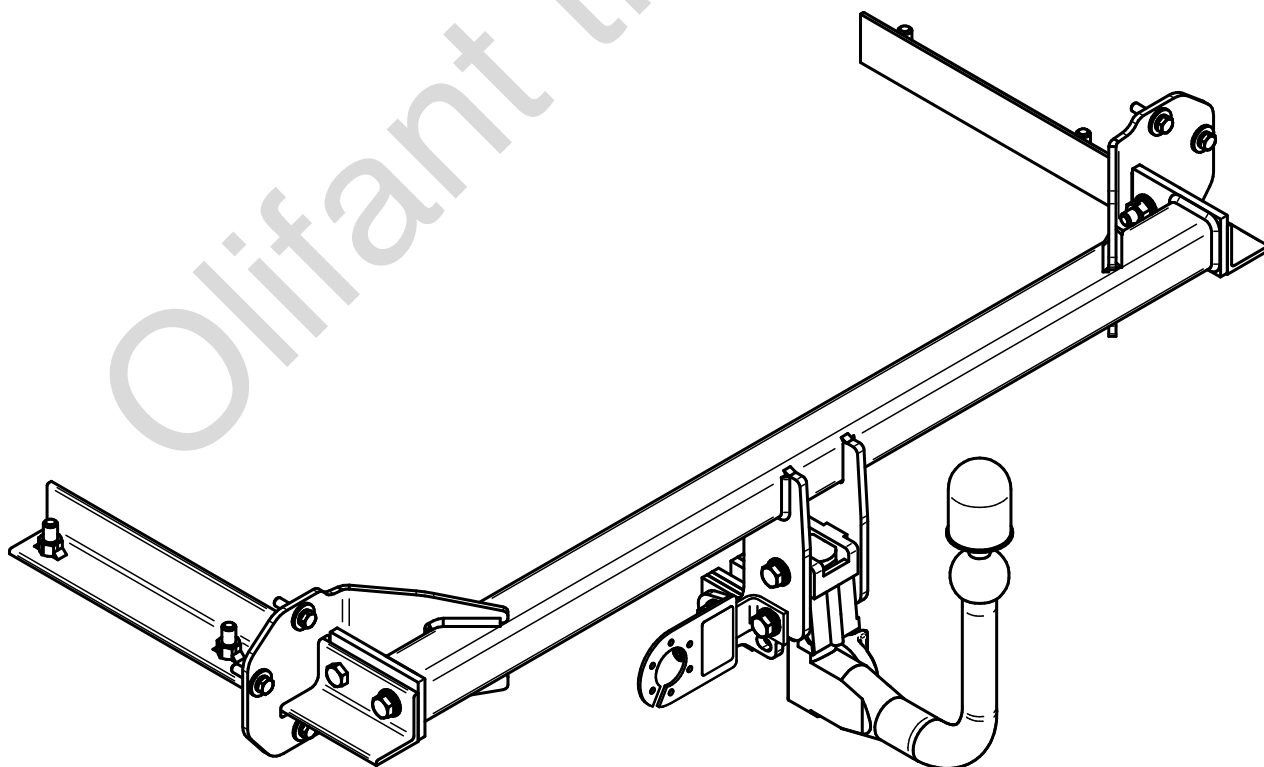
- PL** **Zaczep Kulowy** Instrukcja montażu i eksploatacji
- GB** **Tow bar** Installation and operating instructions
- D** **Die Anhängerkupplung** Montage- und Gebrauchsanleitung
- ES** **Gancho de remolque** Las instrucciones de instalación y de operación
- RU** **Фаркоп** Инструкция по установке и эксплуатации ТСУ
- FR** **Attelage** Notice de montage et d'utilisation
- IT** **Gancio traino** Istruzioni di montaggio
- CZ** **Tažné zařízení** Návod na montáž a použití
- RO** **Cârlig de remorcare** Instrucția de montaj și exploatare
- SE** **Dragkulan** Monterings- och bruksanvisningar.



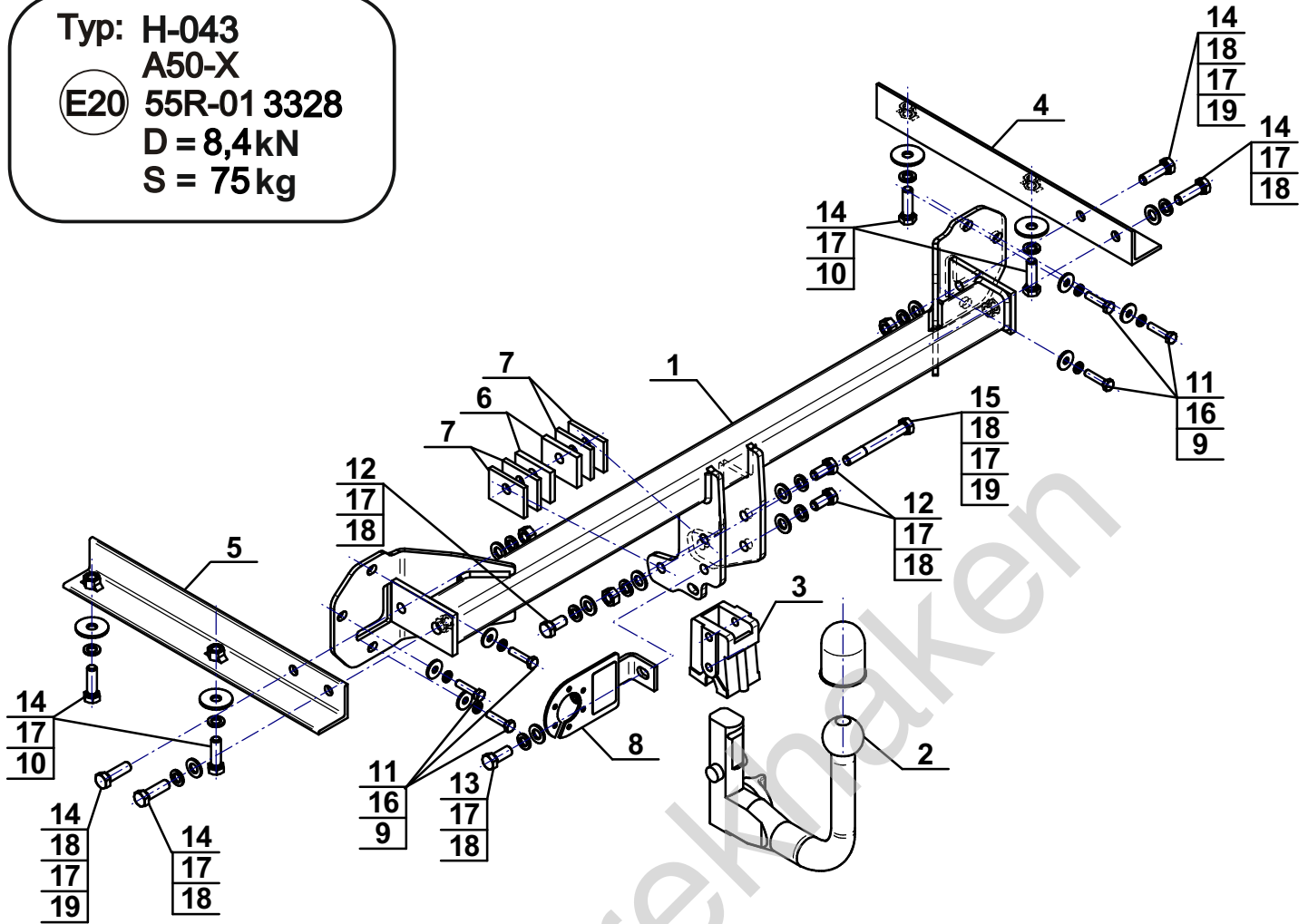
YES  NO



YES  NO



Typ: H-043  
 A50-X  
 (E20) 55R-01 3328  
 D = 8,4kN  
 S = 75kg



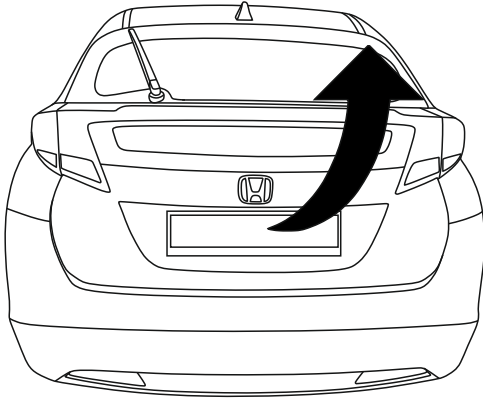
|   |  |    |
|---|--|----|
| 1 |  | x1 |
| 2 |  | x1 |
| 3 |  | x1 |
| 4 |  | x1 |
| 5 |  | x1 |
| 6 |  | x2 |
| 7 |  | x4 |
| 8 |  | x1 |

|    |  |                            |     |
|----|--|----------------------------|-----|
| 9  |  | Ø24/Ø8,5x2,5               | x6  |
| 10 |  | Ø40/Ø12,5x3                | x4  |
| 11 |  | M8x35 (PN/M-82105) (8.8)   | x6  |
| 12 |  | M12x25 (PN/M-82105) (8.8)  | x3  |
| 13 |  | M12x30 (PN/M-82105) (8.8)  | x1  |
| 14 |  | M12x40 (PN/M-82105) (8.8)  | x8  |
| 15 |  | M12x100 (PN/M-82101) (8.8) | x1  |
| 16 |  | Ø8,2                       | x6  |
| 17 |  | Ø12,2                      | x13 |
| 18 |  | Ø13,0                      | x9  |
| 19 |  | M12 (8)                    | x3  |

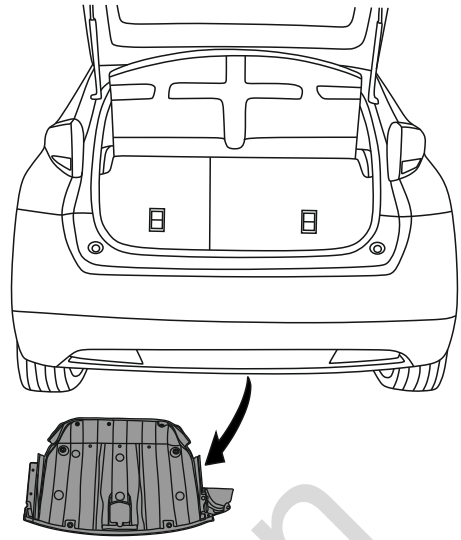


| 8.8           |                |
|---------------|----------------|
| M6 - 10 (Nm)  | M12 - 85 (Nm)  |
| M8 - 25 (Nm)  | M14 - 135 (Nm) |
| M10 - 50 (Nm) | M16 - 200 (Nm) |

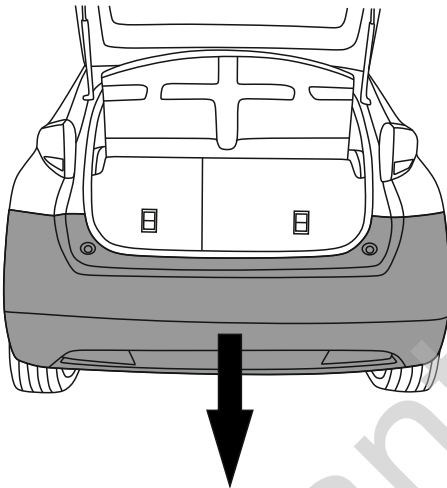
1



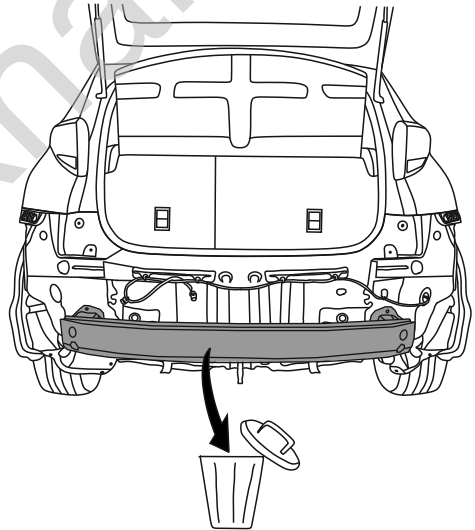
2



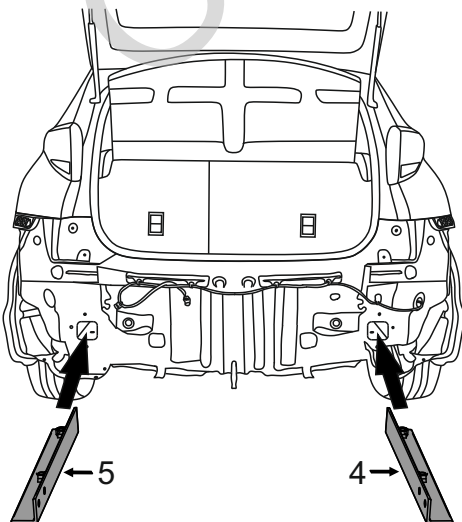
3



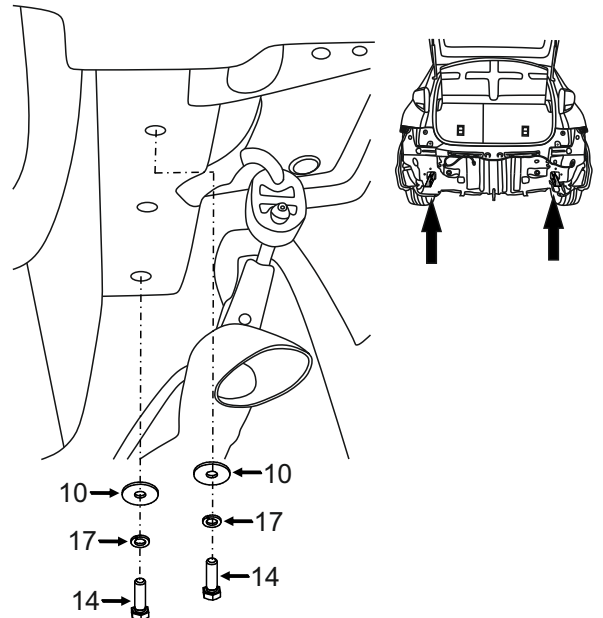
4



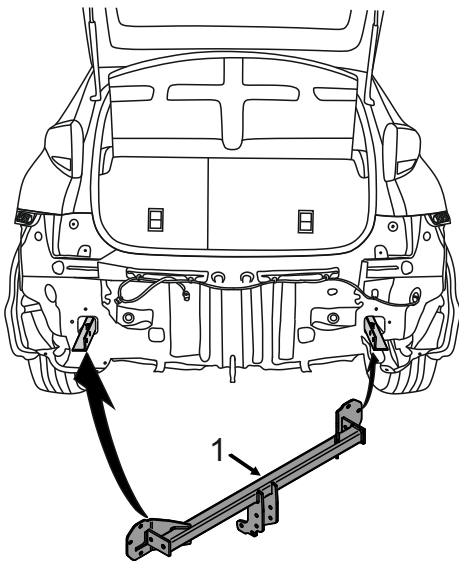
5



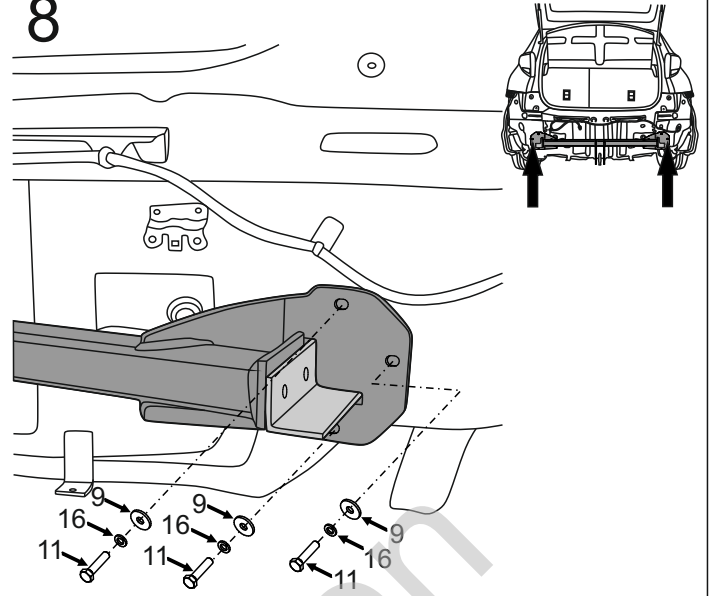
6



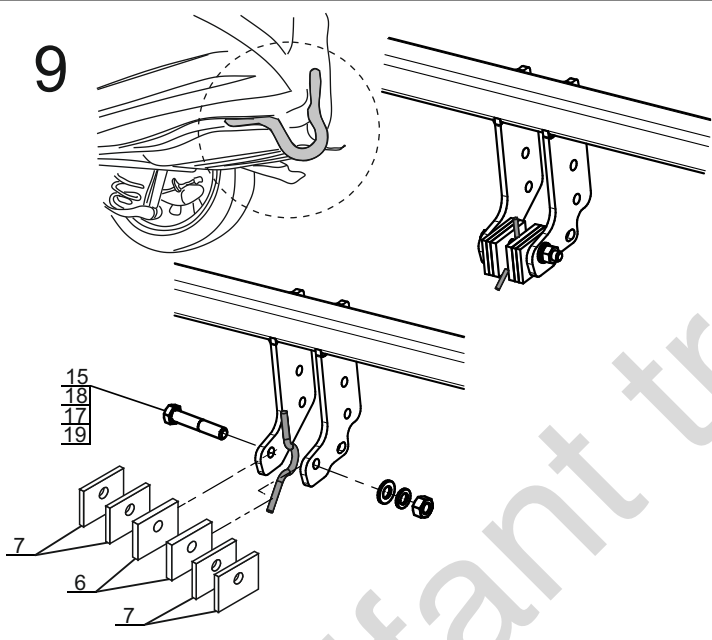
7



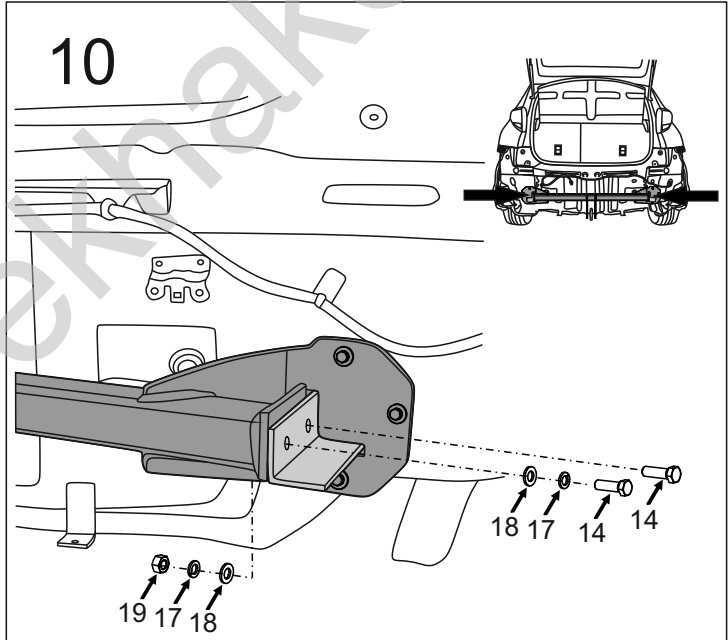
8



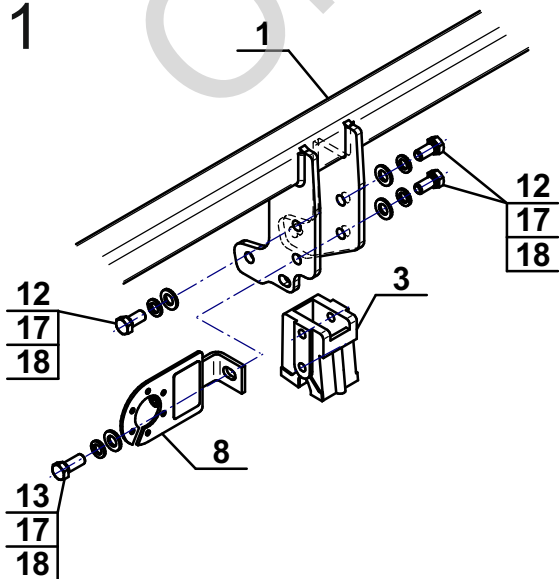
9



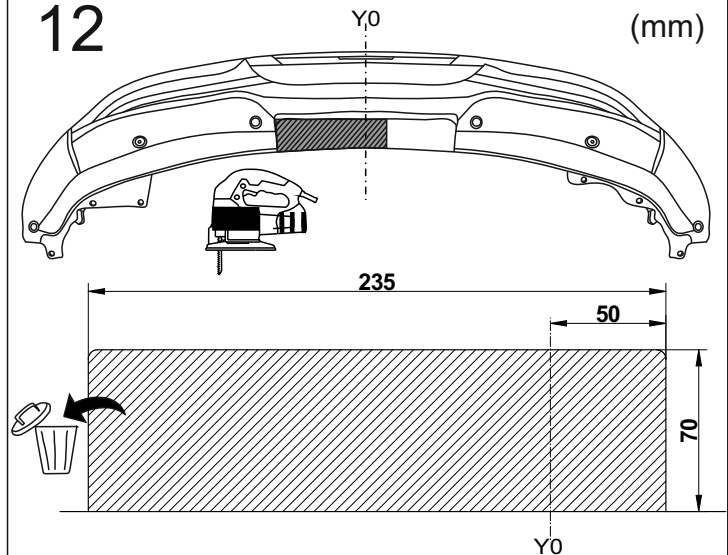
10



11

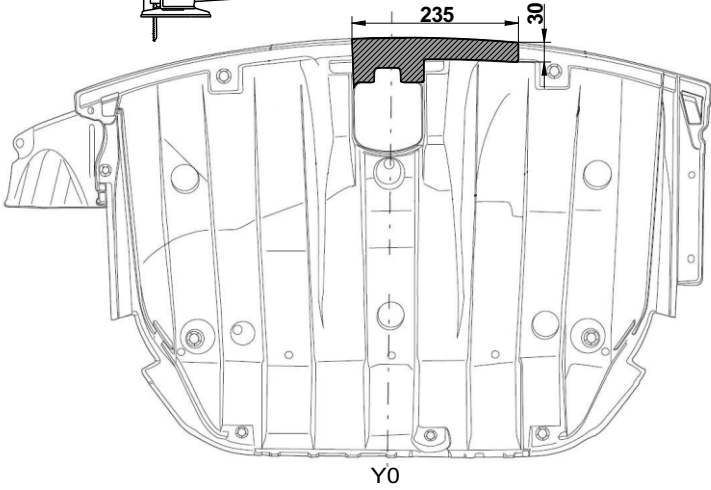


12

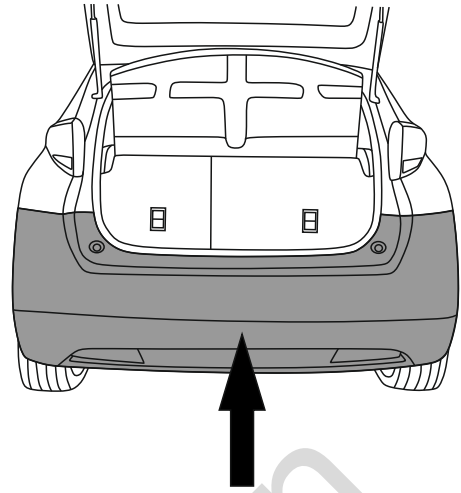


13

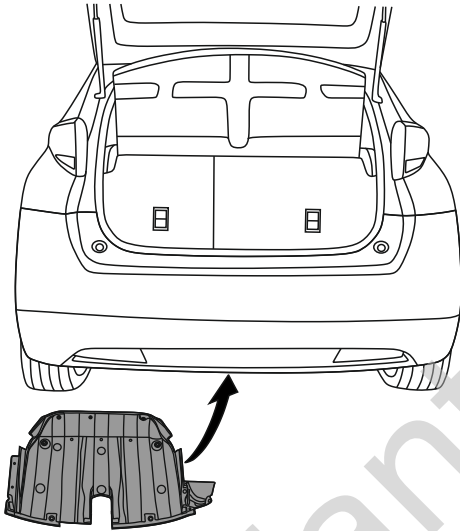
(mm)



14



15



16

