



Marvel R (EV)

10/21 →

D

Produktübersicht

Elektro-Einbausatz für Anhängerkupplung / 13-polig / 12 Volt / ISO 11446

GB

Product overview

Electric wiring kit for towbars / 13-pin / 12 Volt / ISO 11446

F

Aperçu des produits

Faisceau pour attelage / 13 broches / 12 Volt / ISO 11446

I

Cerrellata dei prodotti

Cablaggio elettrico per ganci di traino / 13 poli / 12 Volt / ISO 11446

E

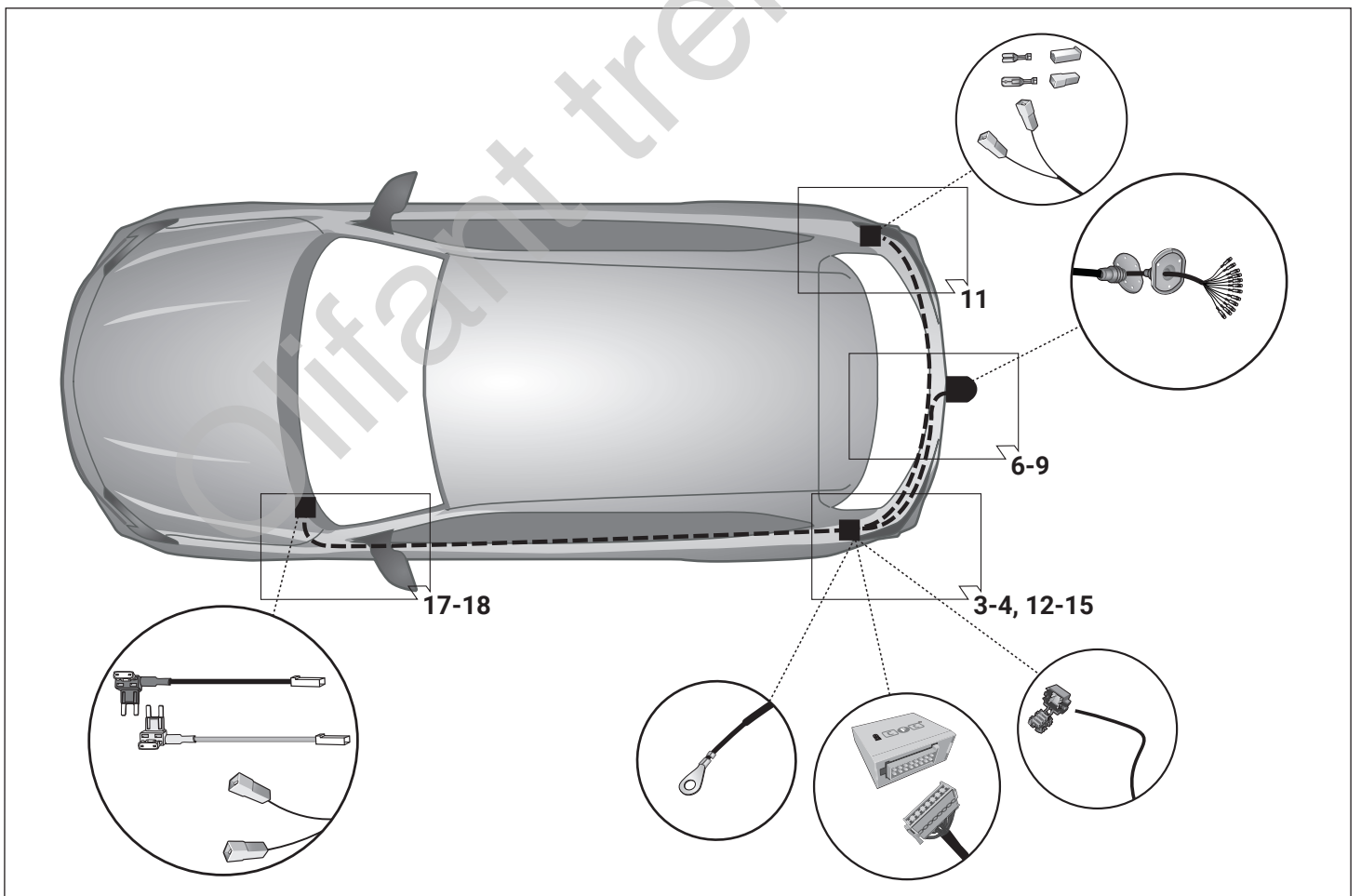
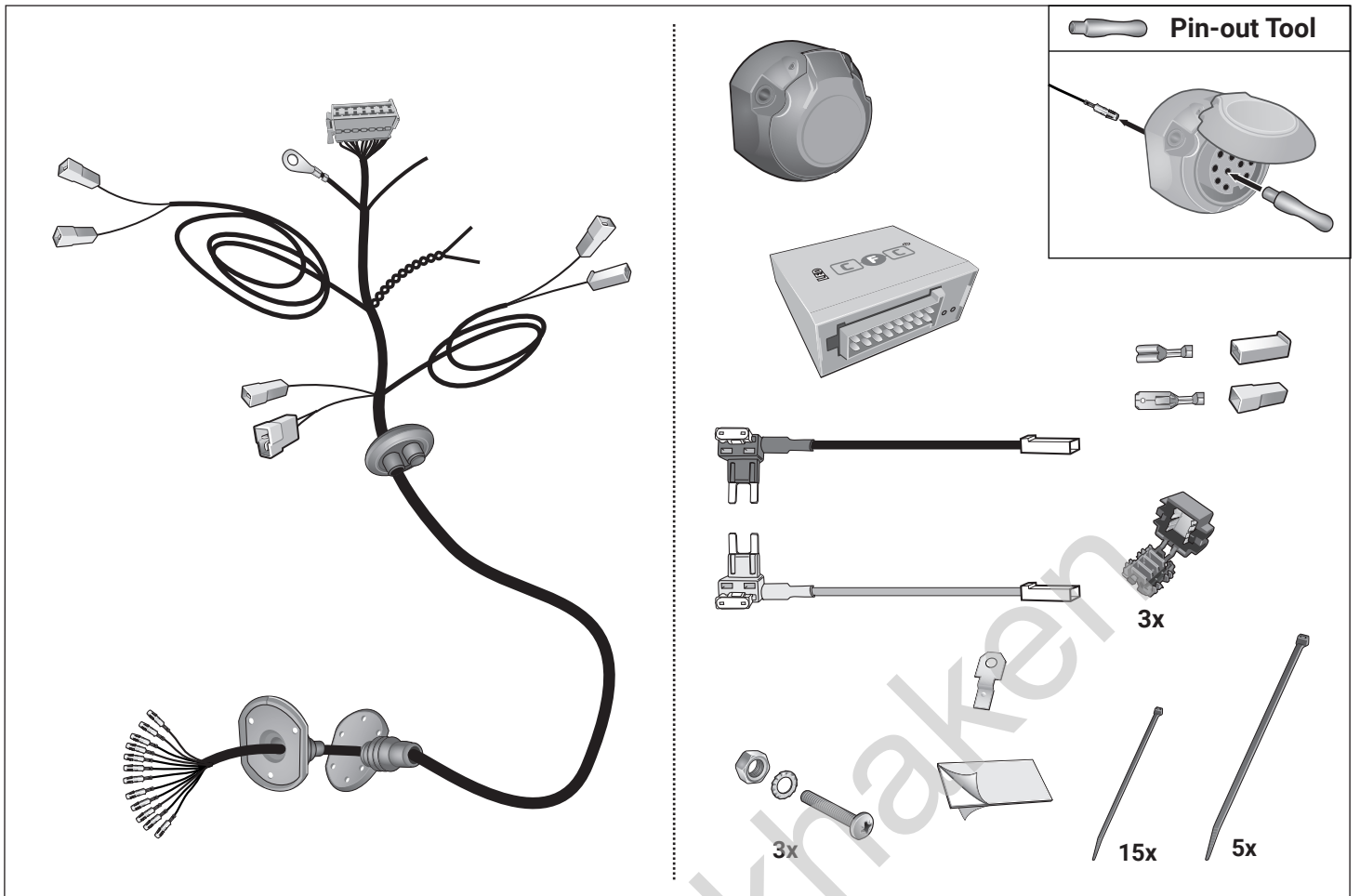
Descripción del producto

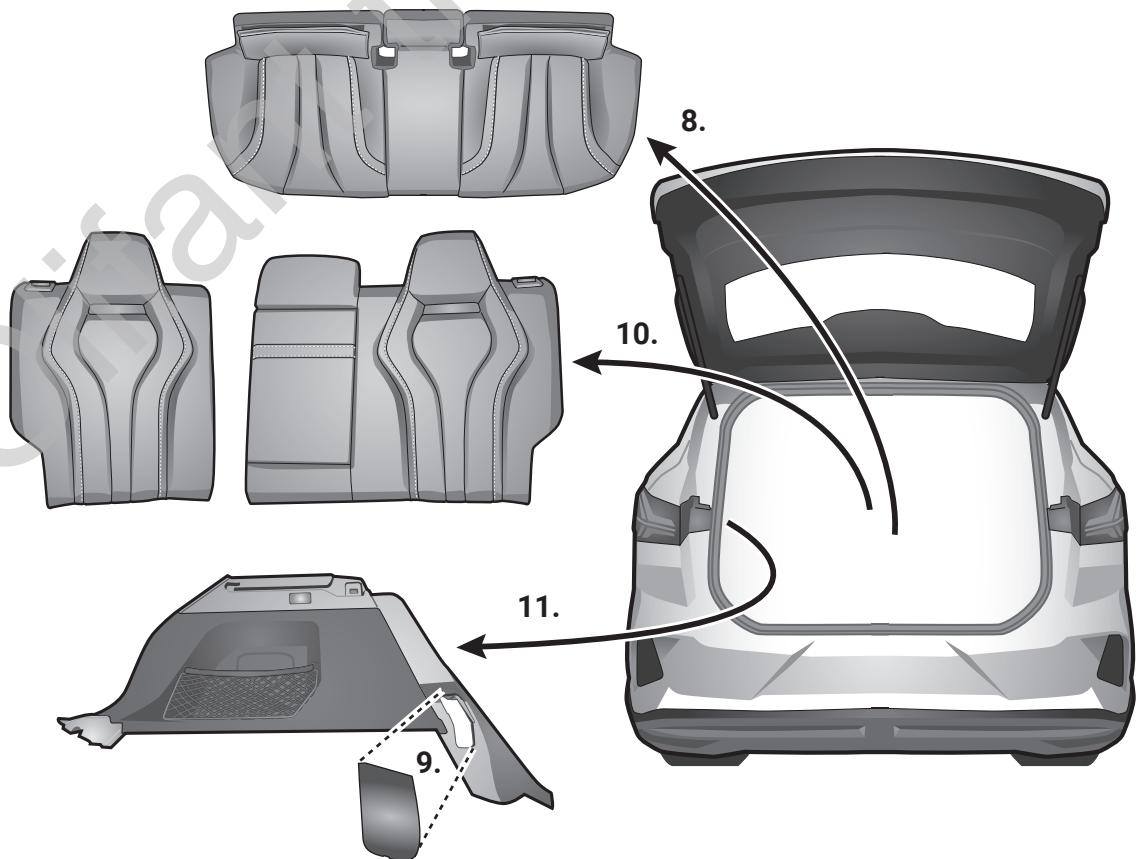
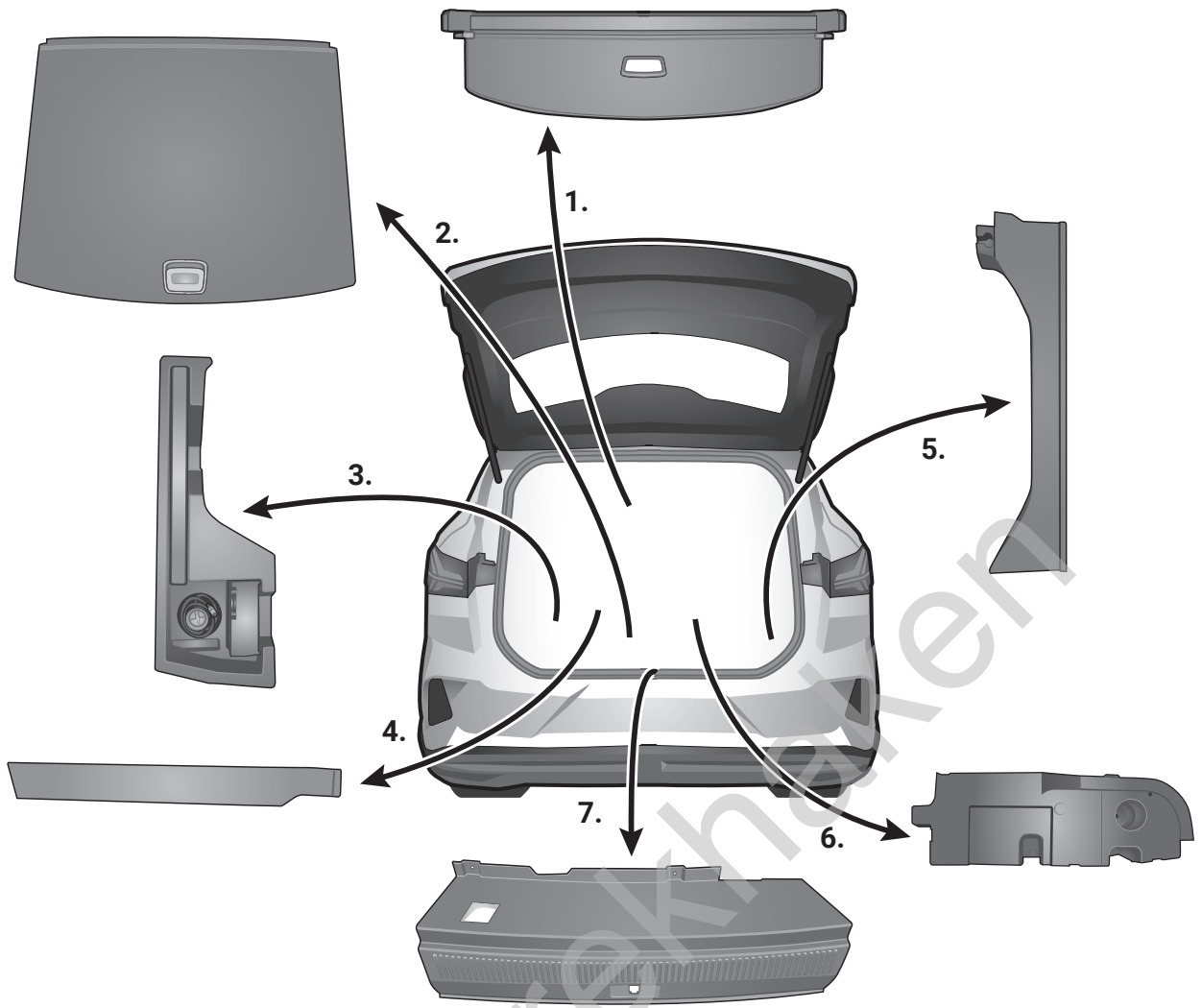
Kits eléctricos para enganches de remolques / 13 pins / 12 Volt / ISO 11446

NL

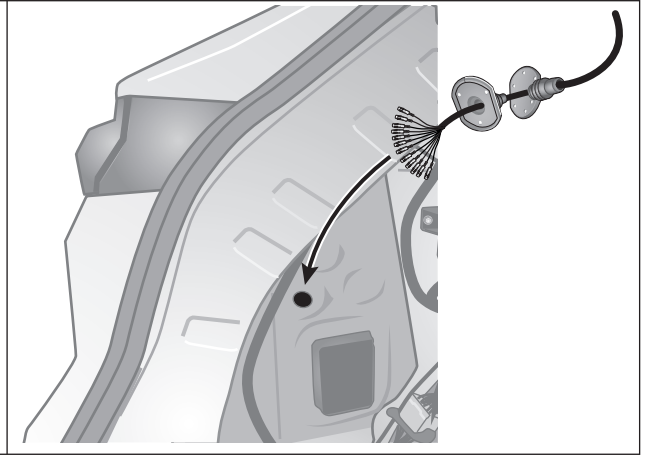
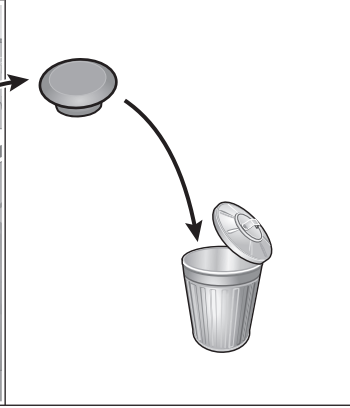
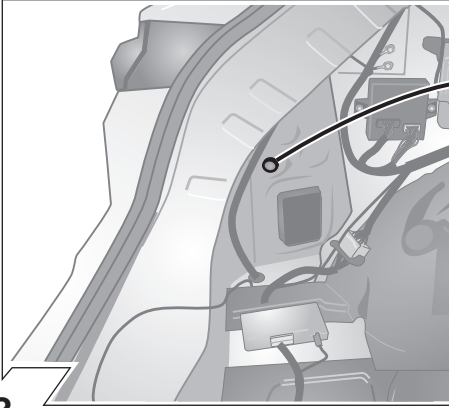
Productoverzicht

Elektro-inbouwset voor aanhangerkoppeling / 13-polig / 12 Volt / ISO 11446



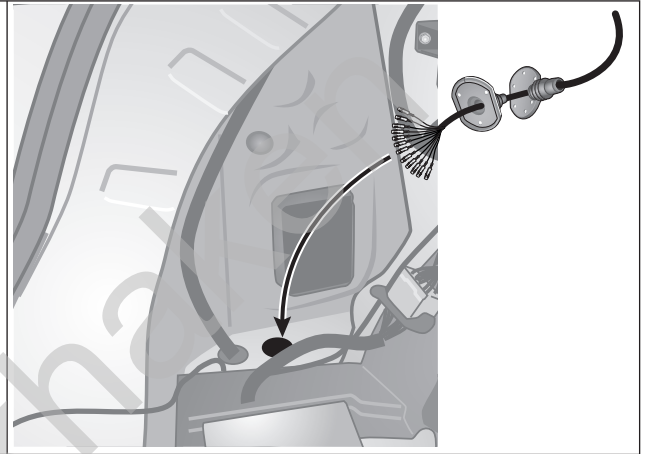
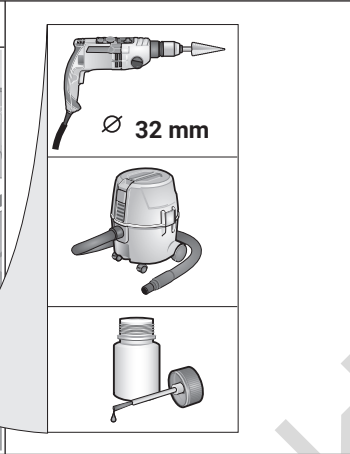
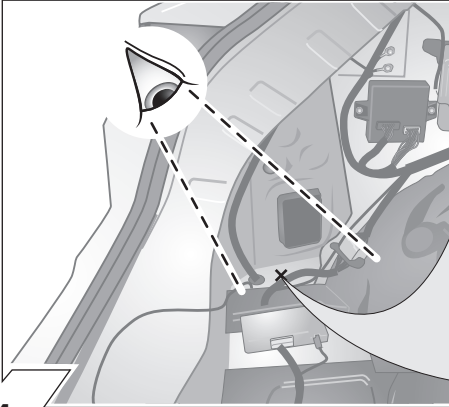


Option 1

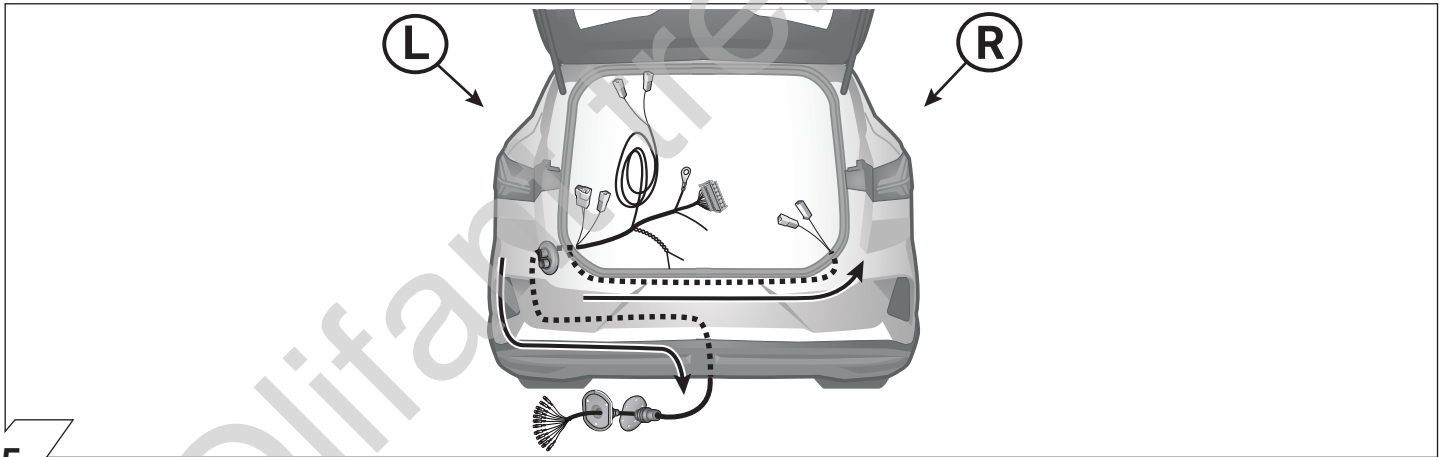


3

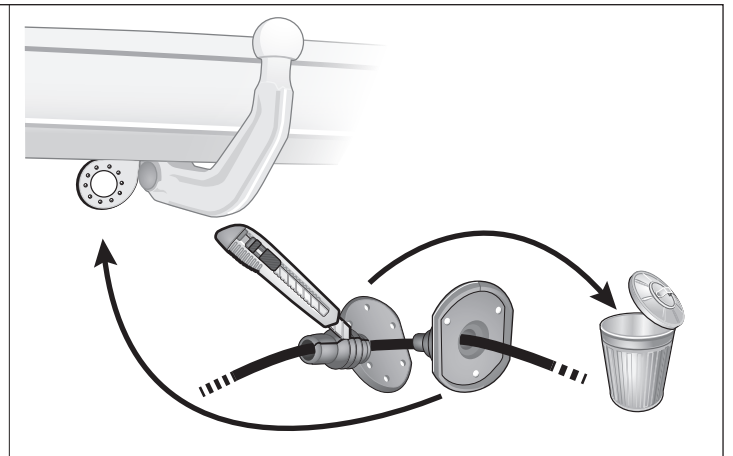
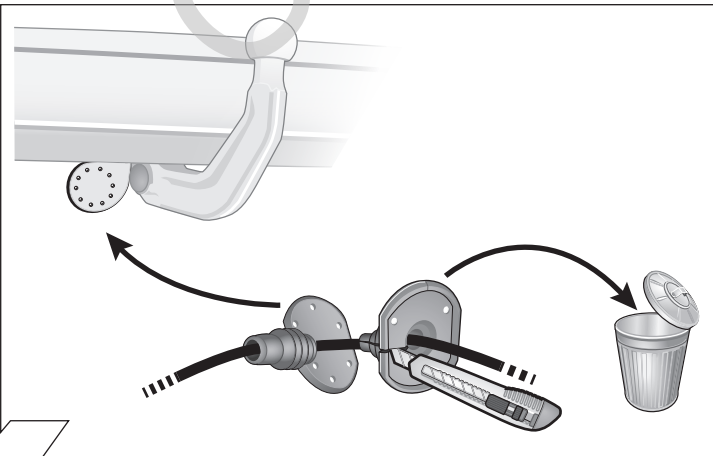
Option 2



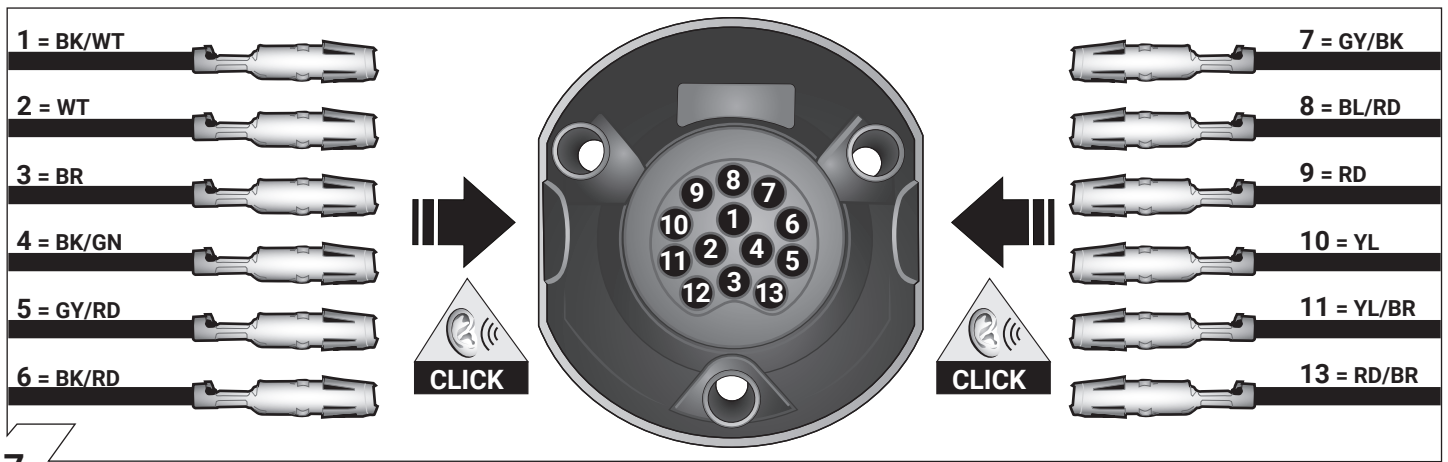
4



5



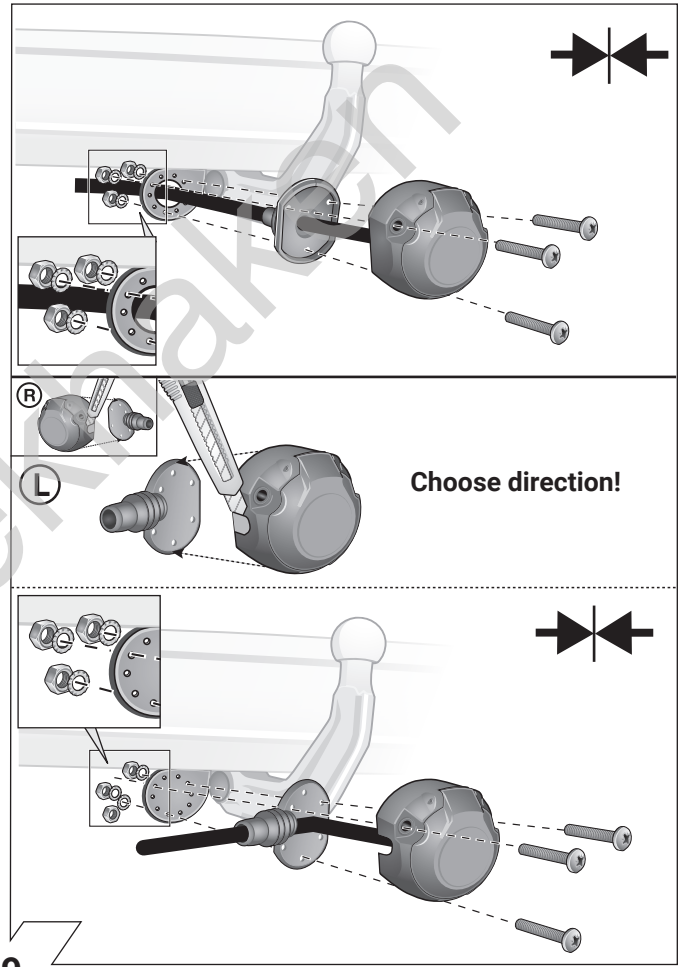
6



7

ISO 11446	Belegung der Steckdose / Maximale Ausgangsleistung Socket configuration / Maximum power output Correspondance des contacts de la prise / Puissance de sortie maximale Abbinamento della presa / Uscita di alimentazione massima Indeling van de stekkerdoos / maximaal uitgangsvermogen		
	1/L	BK/WT	21W
	2	WT	42W
	3/31	BR	
	4/R	BK/GN	21W
	5/58-R	GY/RD	52W
	6/54	BK/RD	63W
	7/58-L	GY/BK	52W
	8	BL/RD	42W
	9	RD	240W
	10	YL	180W
	11	YL/BR	
	12		
	13	RD/BR	

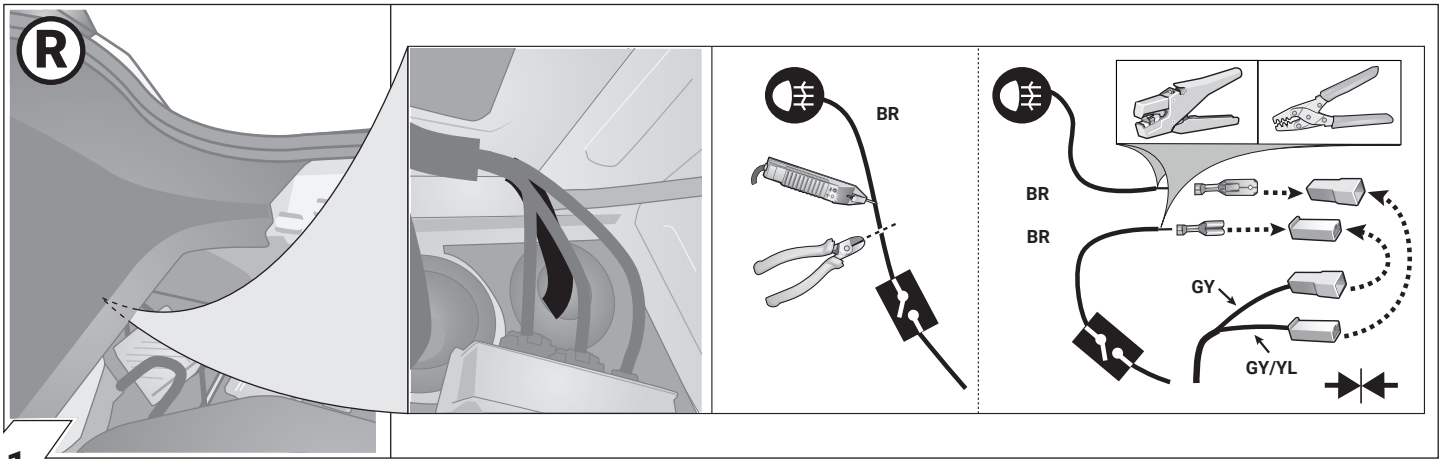
8



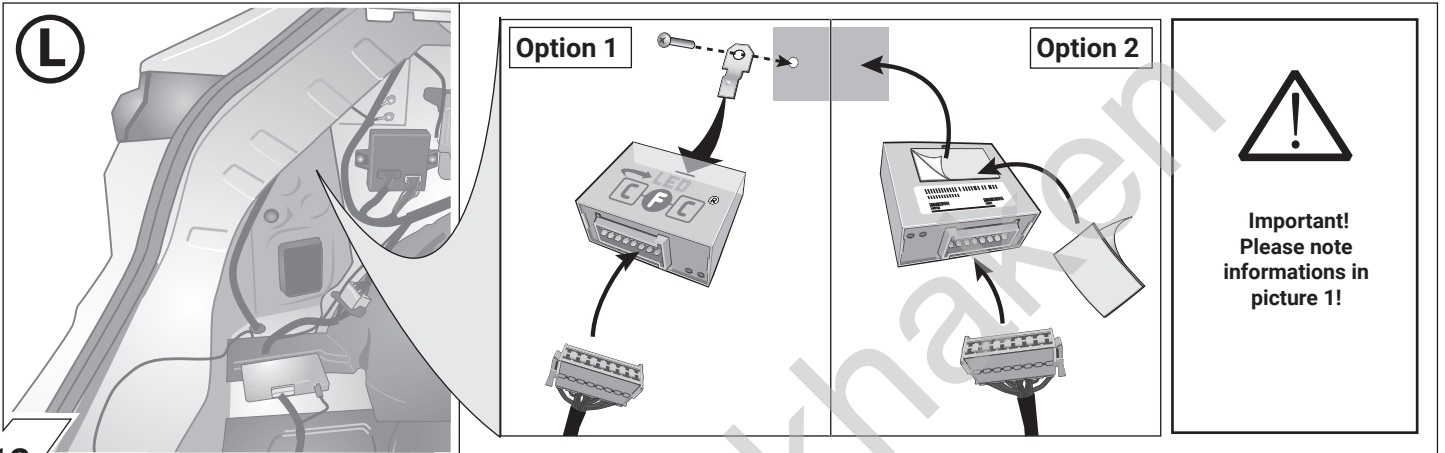
9

	GB	D	E	F	I	P	NL	DK	N	S	FIN	CZ	H	PL
BK	Black	Schwarz	Negro	Noir	Nero	Preto	Zwart	Sort	Svart	Svart	Musta	Černá	Fekete	Czarny
RD	Red	Rot	Rojo	Rouge	Rosso	Vermelho	Rood	Rød	Rød	Röd	Punainen	Červená	Piros	Czerwony
GN	Green	Grün	Verde	Vert	Verde	Verde	Groen	Grøn	Grønt	Grön	Vihreä	Zelená	Zöld	Zielony
OR	Orange	Orange	Naranja	Orange	Arancione	Laranja	Oranje	Orange	Orange	Orange	Oranssi	Oranzová	Narancs	Pomarańczowy
VT	Violet	Violett	Violeta	Violet	Viola	Violeta	Violet	Violet	Fiolett	Violett	Violetti	Fialová	Ibolya	Fioletowy
PK	Pink	Pink	Pink	Rose	Rosa	Cor-de-Rosa	Paars	Pink	Pink	Rosa	Pinkki	Růžová	Rózsaszín	Różowy
BL	Blue	Blau	Azul	Bleu	Blu	Azul	Blauw	Blå	Blått	Blå	Sininen	Modrá	Kék	Niebieski
YL	Yellow	Gelb	Amarillo	Jaune	Giallo	Amarelo	Geel	Gul	Gult	Gul	Keltainen	Zlutá	Sárga	Żółty
WT	White	Weiss	Blanco	Blanc	Bianco	Branco	Wit	Hvid	Hvitt	Vt	Valkoinen	Bílá	Fehér	Biały
BR	Brown	Braun	Marrón	Brun	Marrone	Marrom	Bruin	Brun	Brunt	Brun	Ruskea	Hnědá	Barna	Brazowy
GY	Grey	Grau	Gris	Gris	Grigio	Cinzeno	Grijs	Grå	Grått	Grå	Harmaa	Sedá	Szürke	Szary

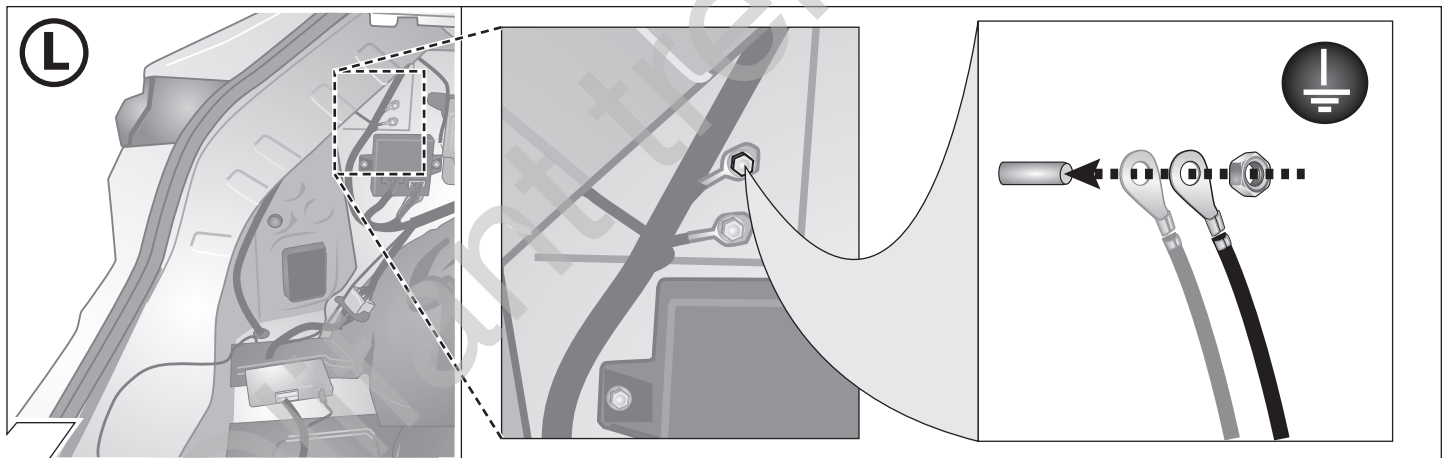
10



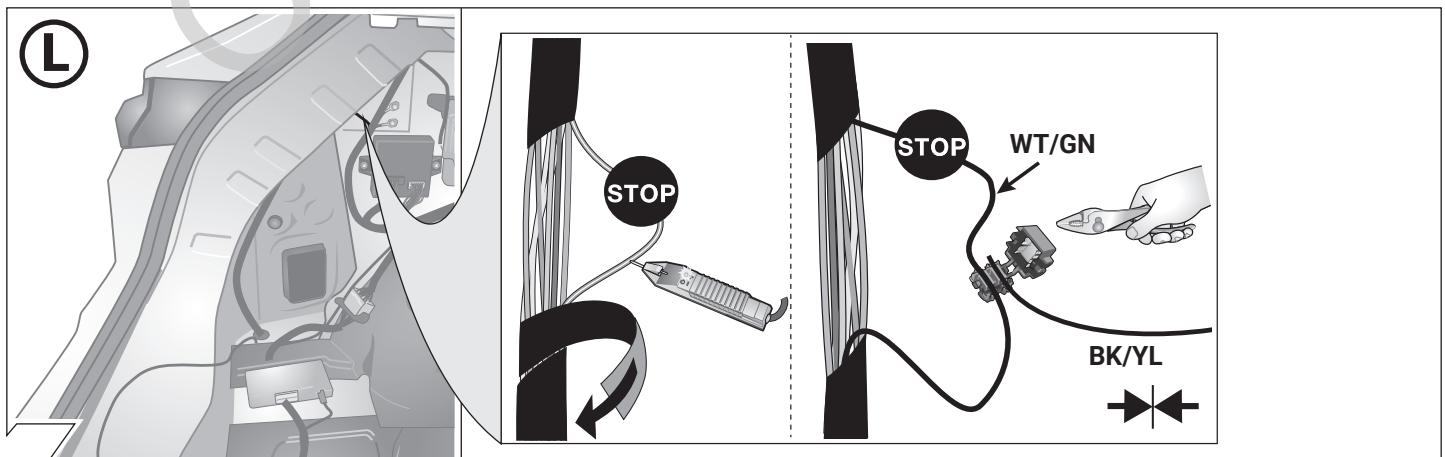
11



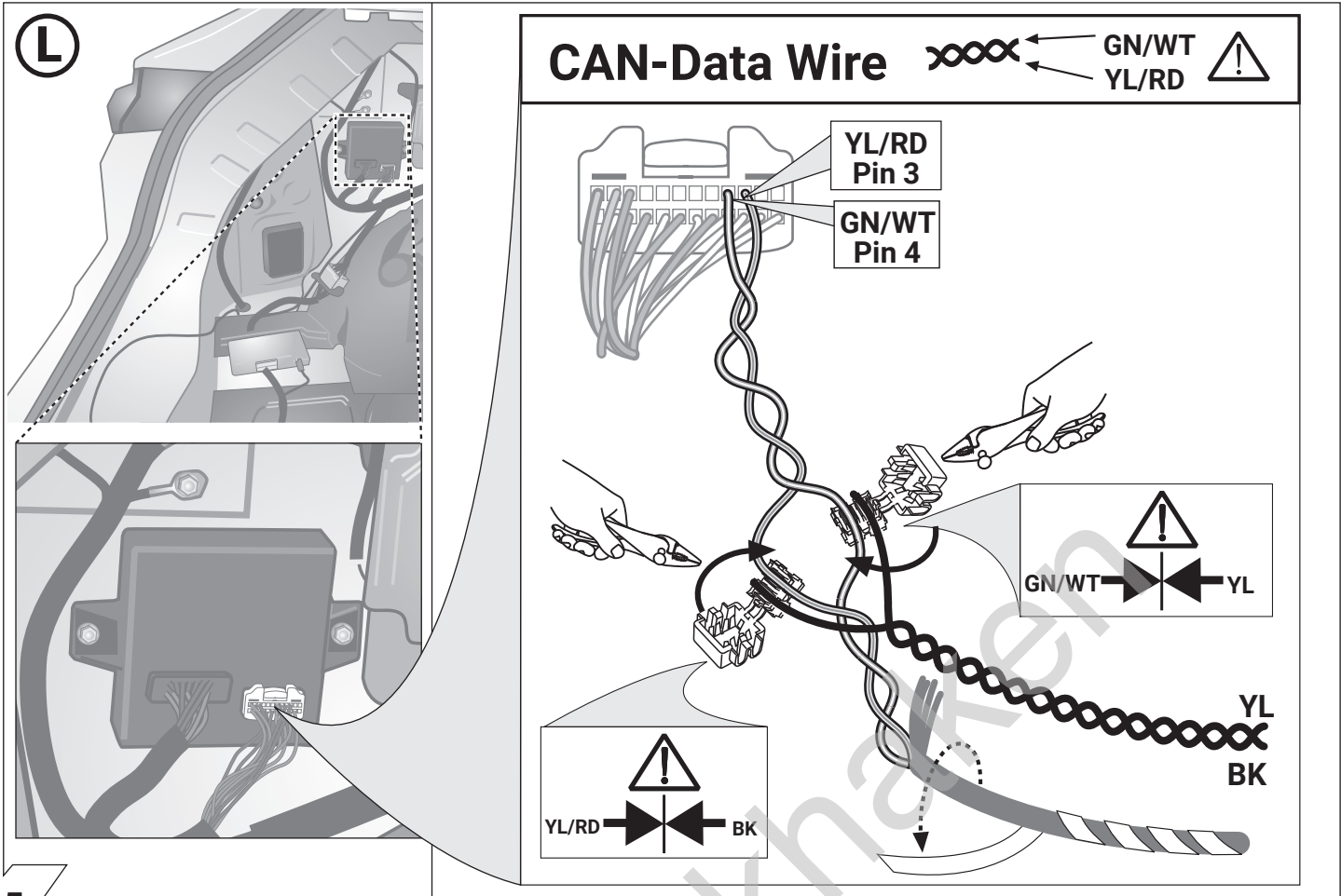
12



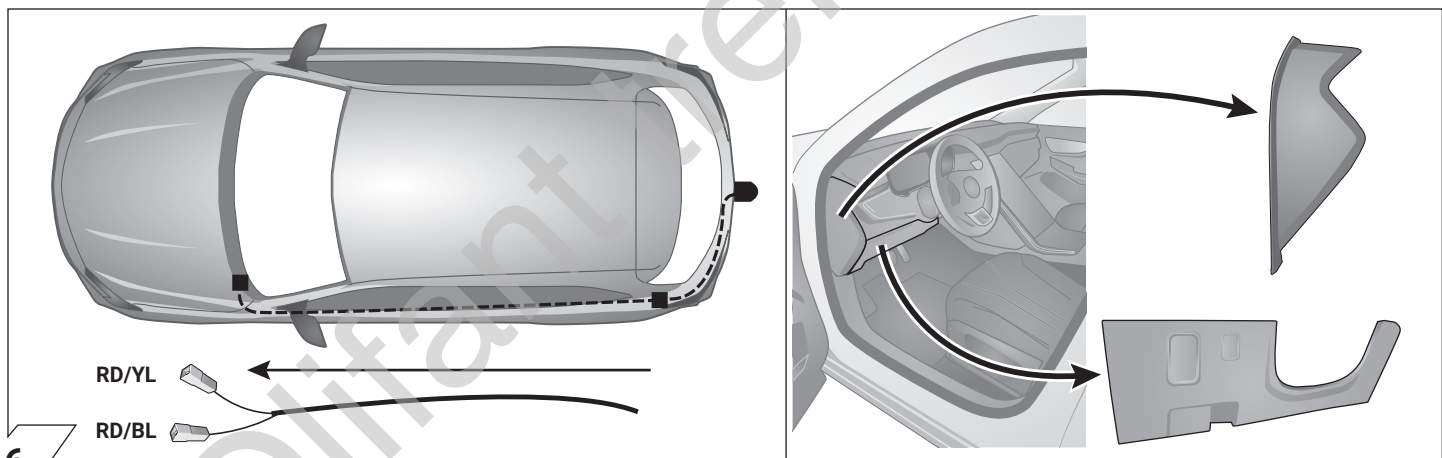
13



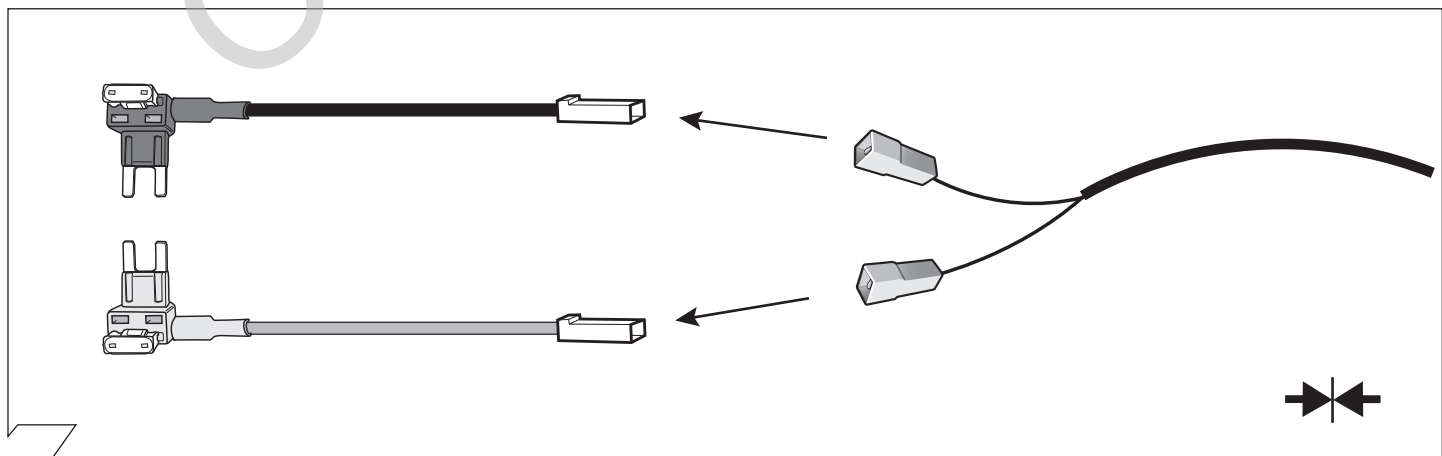
14



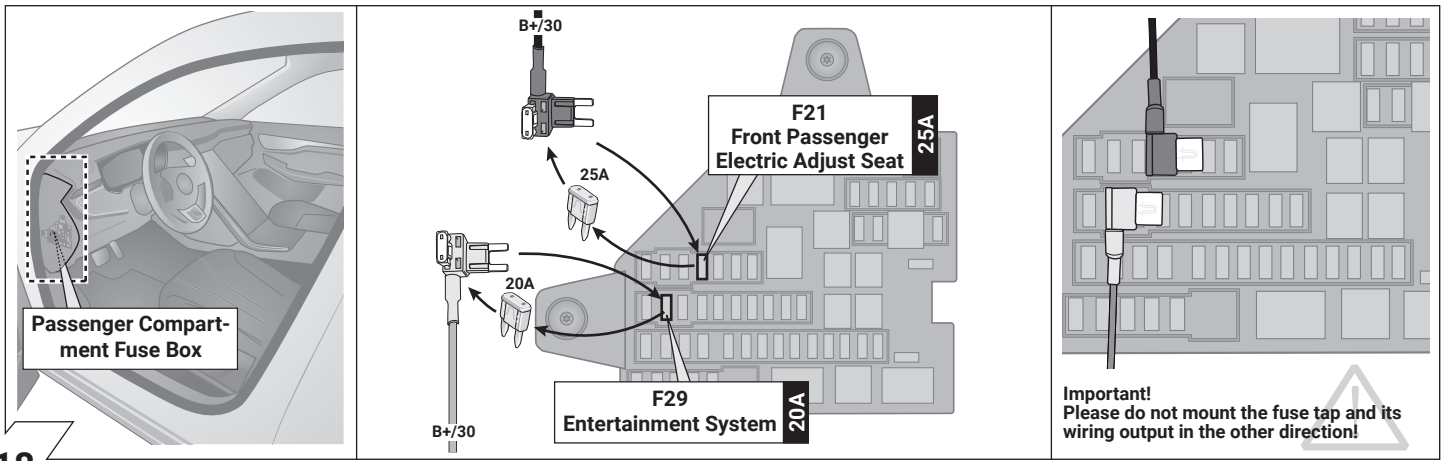
15



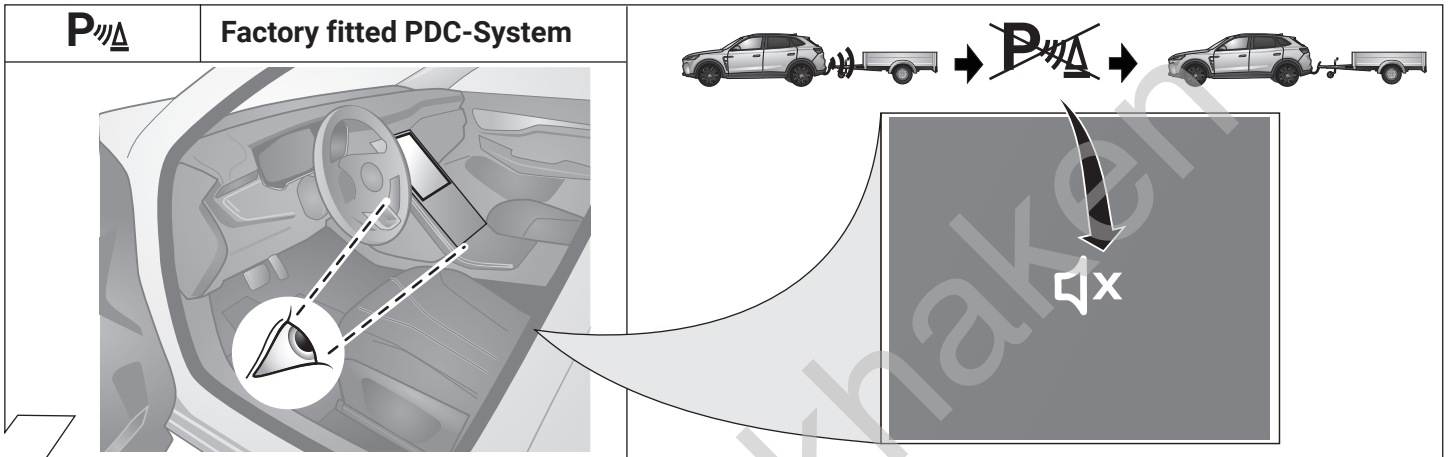
16



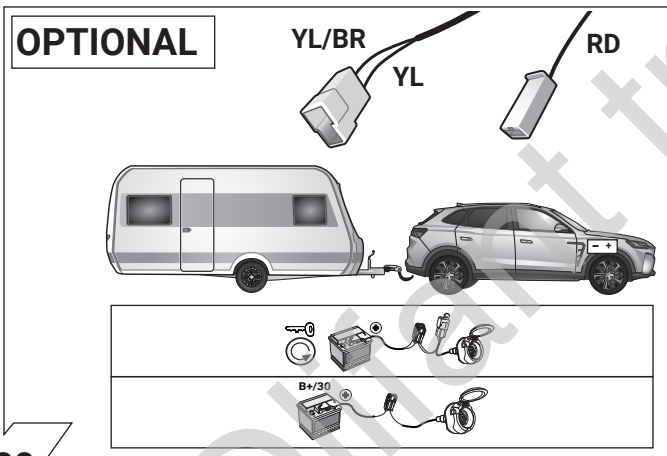
17



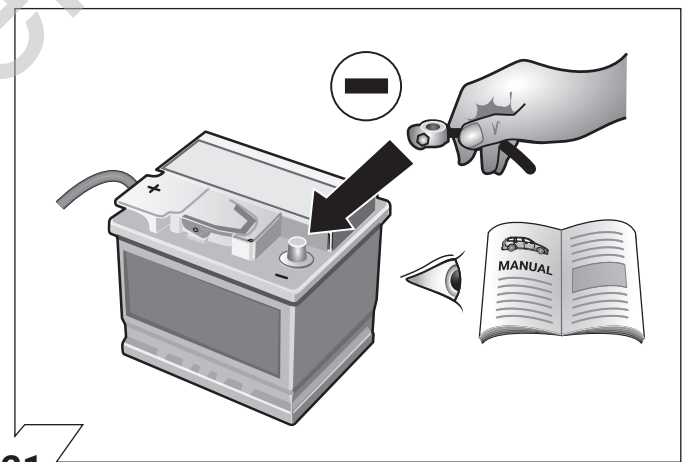
18



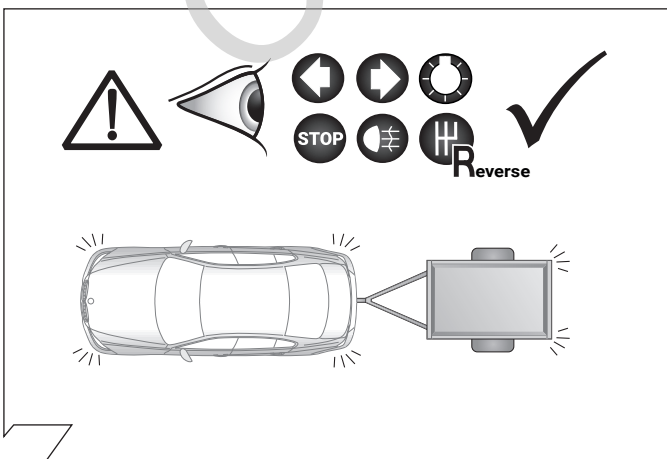
19



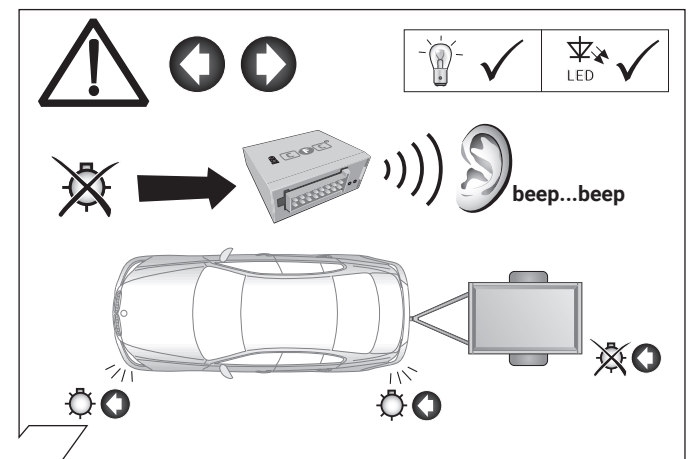
20



21




22

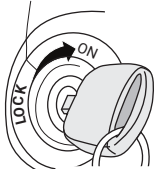


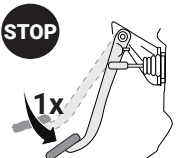
23


24


SETUP

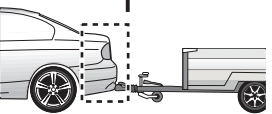
1. 

2.  Ignition ON

3.  STOP 1x

4. 





25


OPTIONAL


Trailer Simulator for 7- and 13-pin Sockets



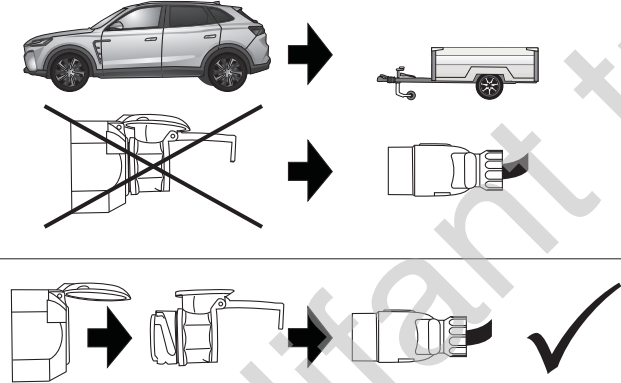
26

Optional: Adapter socket

13-pin  7-pin

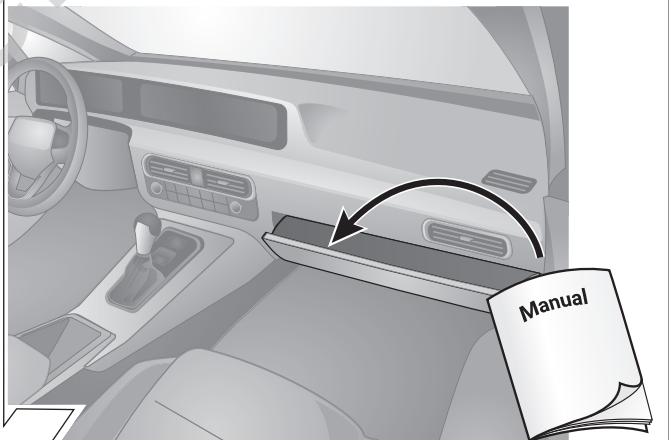


27



The diagram shows two rows of connections. The top row shows an SUV connected to a trailer, and a crossed-out diagram of a car with a trailer simulator. The bottom row shows a sequence of steps: a 7-pin socket, an adapter, and a 13-pin socket, ending with a checkmark.

28



The image shows the driver's side interior of a car. A manual book is placed on the center console, with an arrow pointing to it. The manual is labeled "Manual".