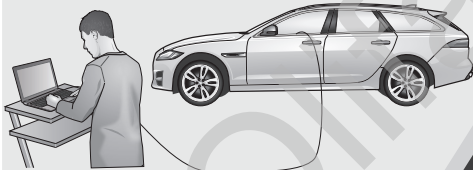
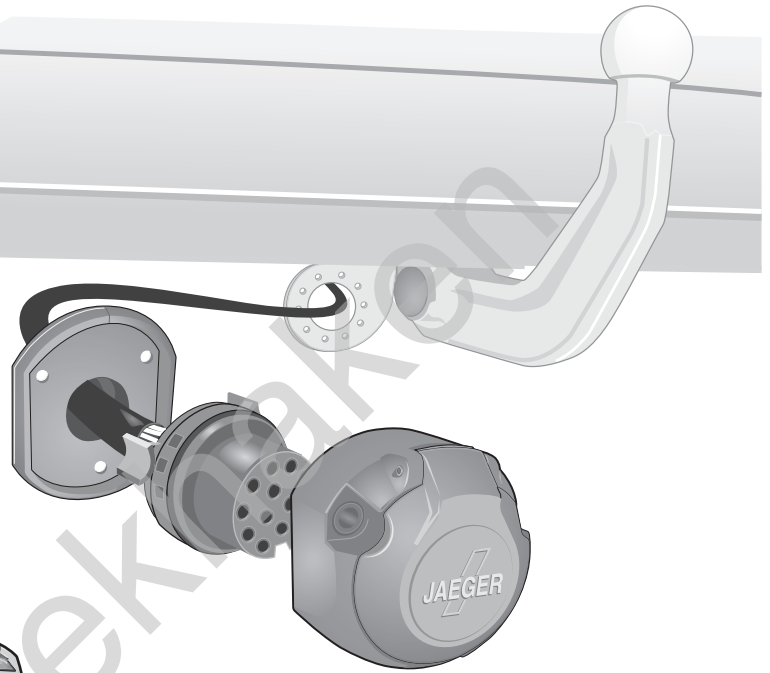


**XF X260 Sportbrake**

**10/17→12/20**



After building-in the electrical kit, the mandatory trailer lighting are available with no further coding in the vehicle.

PDC deactivation and the rear fog light cut off will only operate AFTER the vehicle has been re-coded!

**Only for vehicles until VIN XXXXXXXXXLXXXXXXXX, not for MY 21!**

**D**

Produktübersicht  
Elektro-Einbausatz für Anhängerkupplung / 13-polig / 12 Volt / ISO 11446

**GB**

Product overview  
Electric wiring kit for towbars / 13-pin / 12 Volt / ISO 11446

**F**

Aperçu des produits  
Faisceau pour attelage / 13 broches / 12 Volt / ISO 11446

**I**

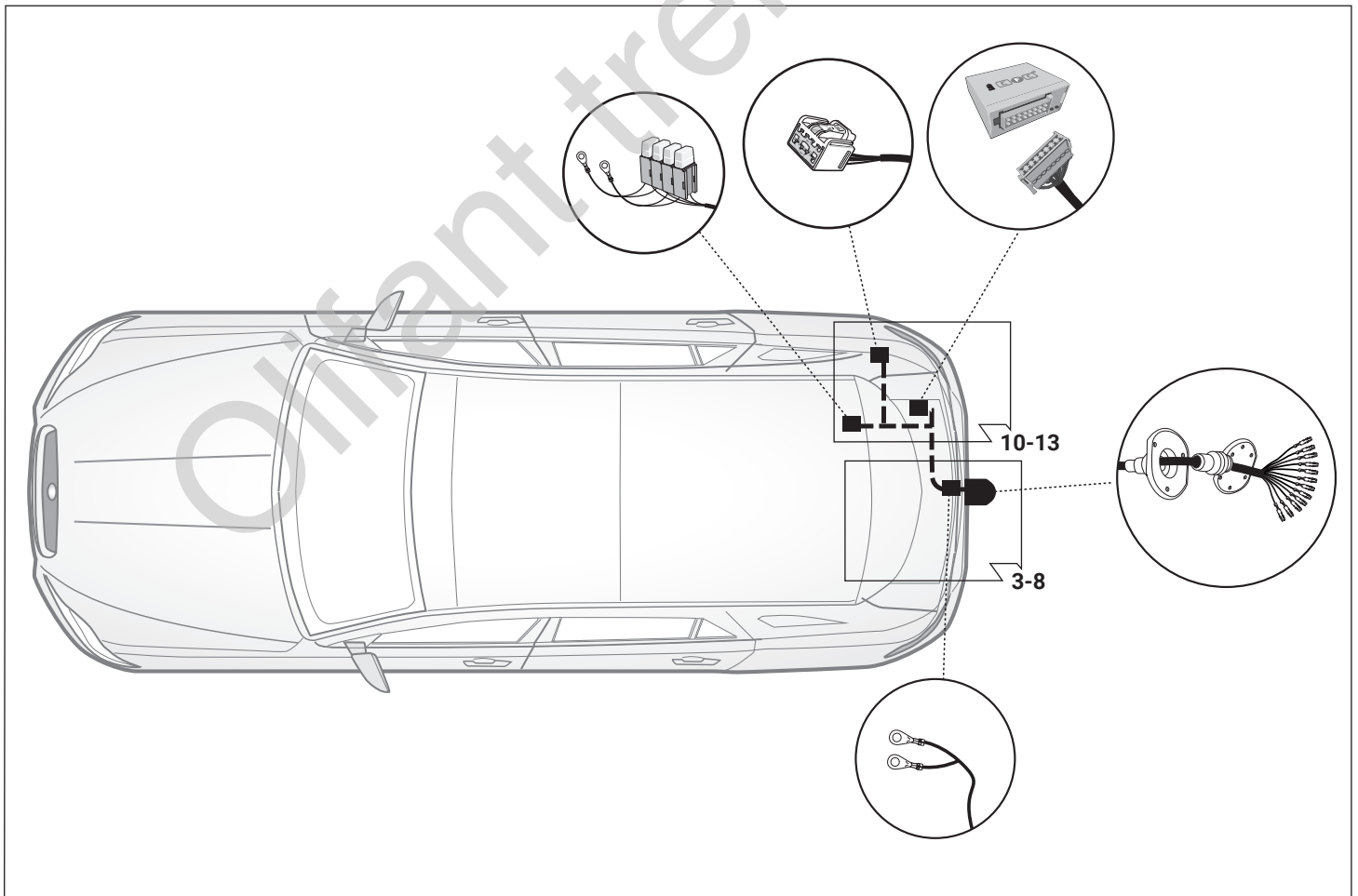
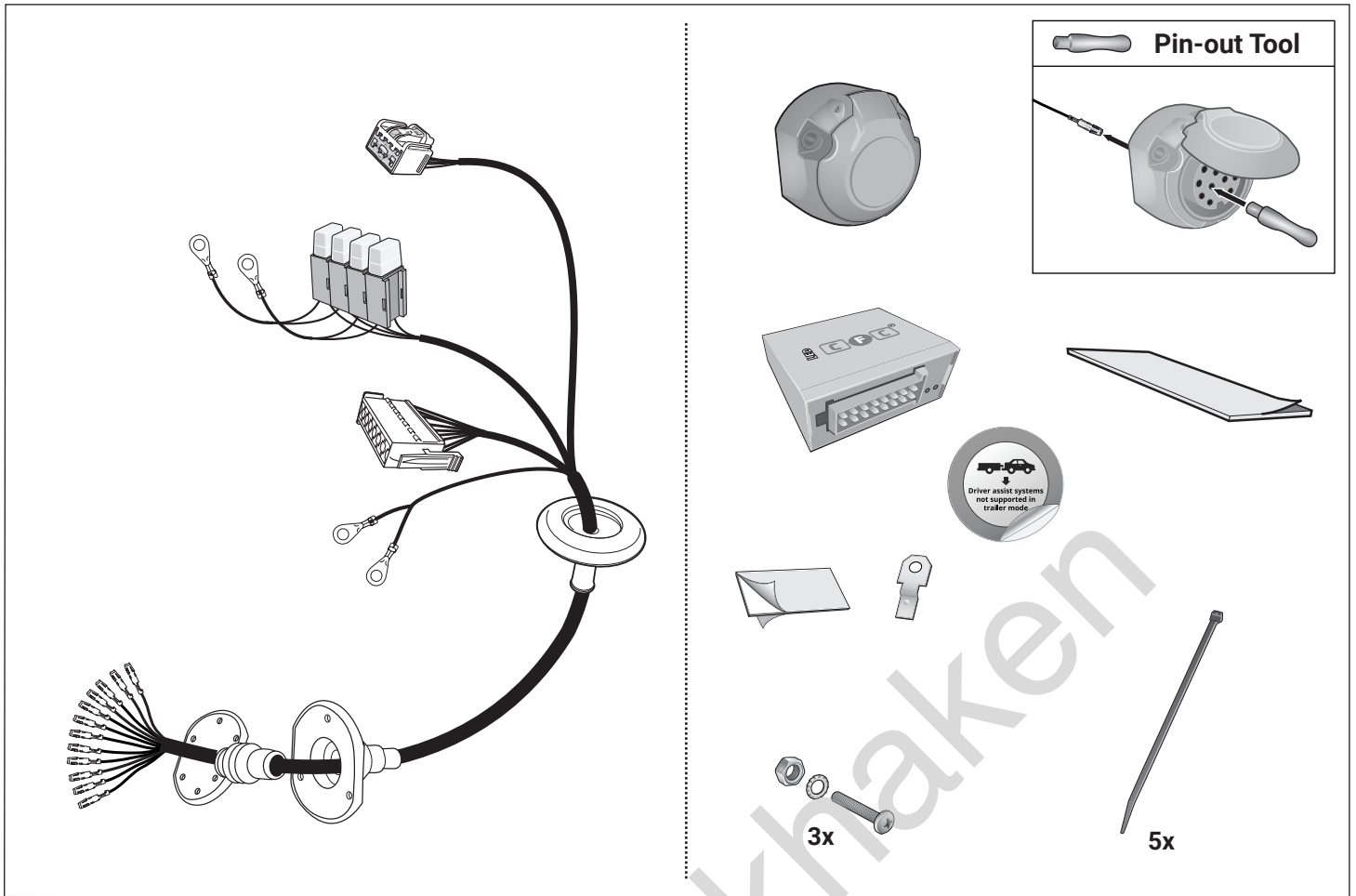
Cerrellata dei prodotti  
Cablaggio elettrico per ganci di traino / 13 poli / 12 Volt / ISO 11446

**E**

Descrpción del producto  
Kits eléctricos para enganches de remolques / 13 pins / 12 Volt / ISO 11446

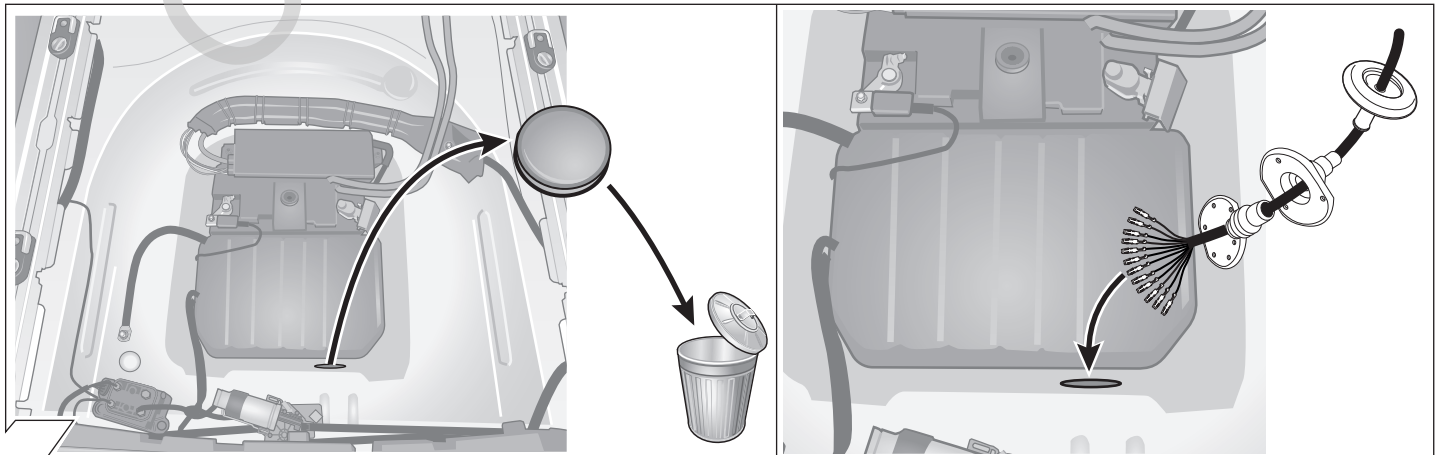
**NL**

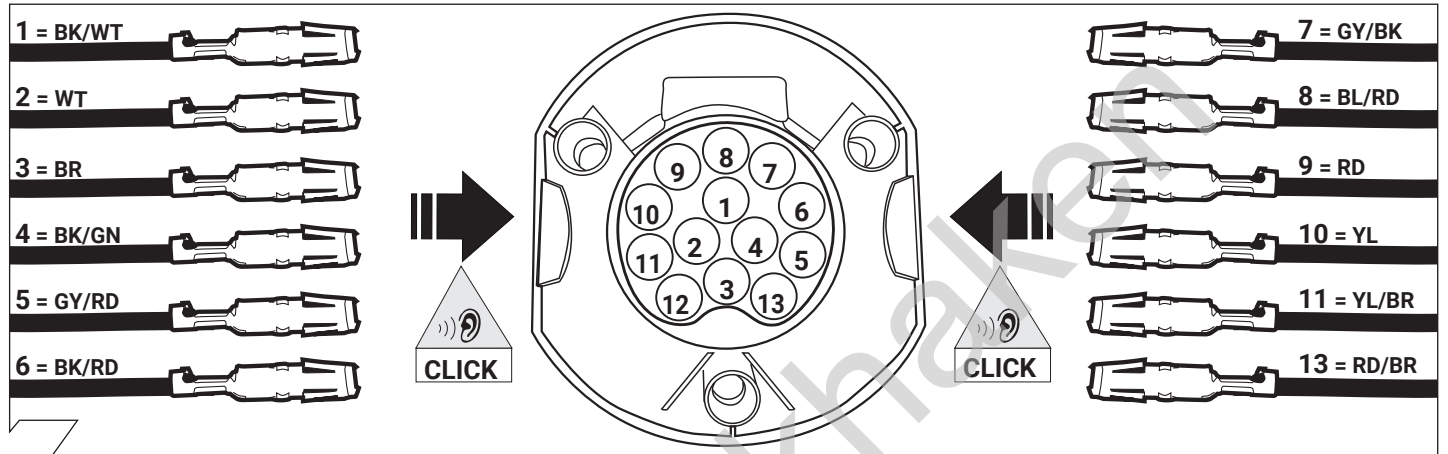
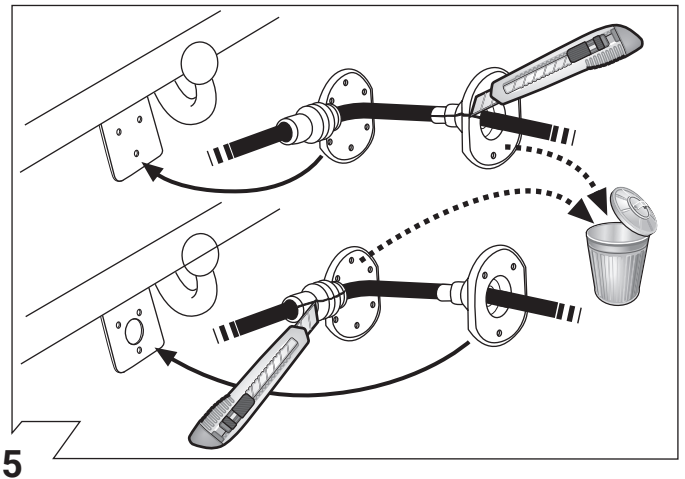
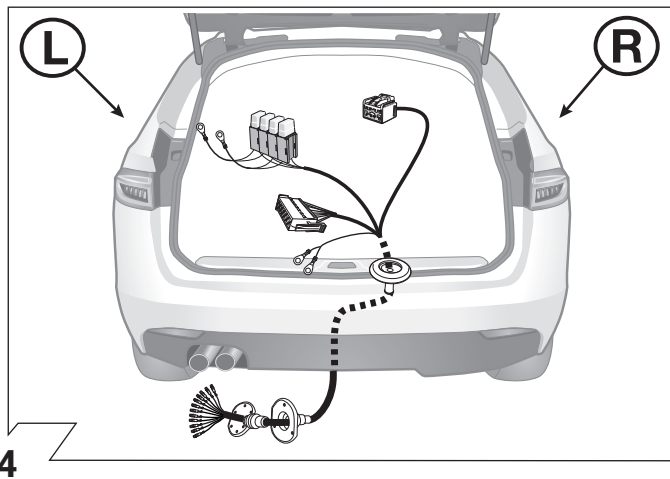
Productoverzicht  
Elektro-inbouwset voor aanhangerkoppeling / 13-polig / 12 Volt / ISO 11446



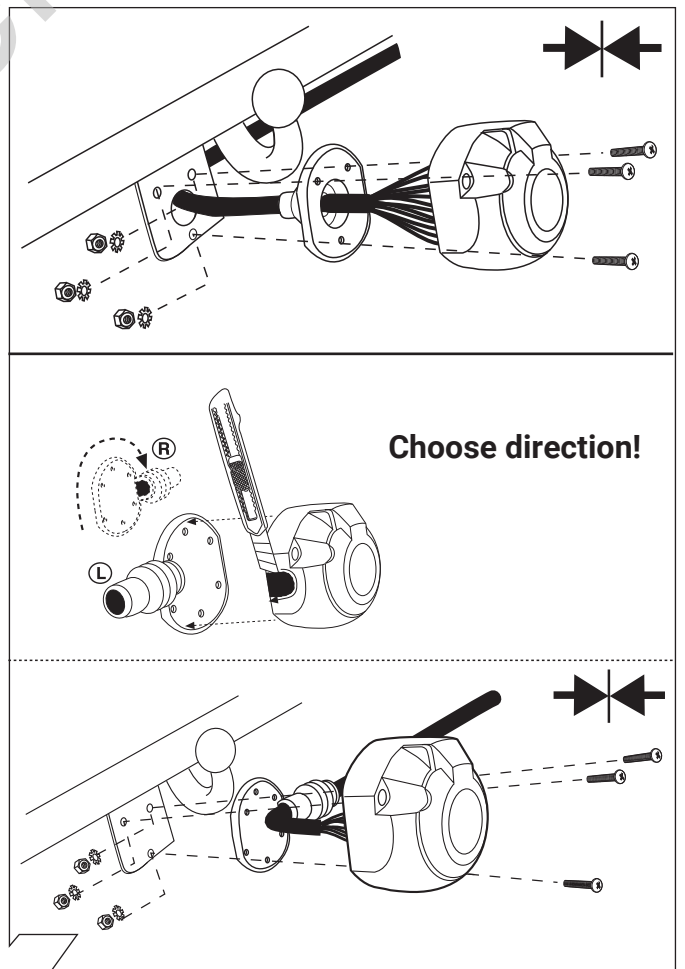


2



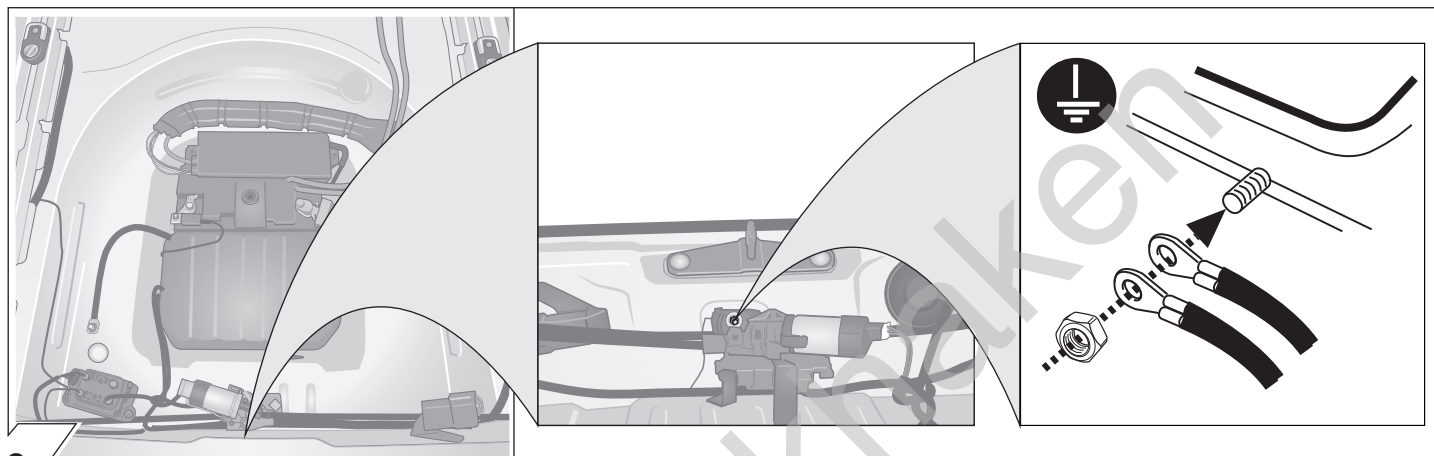


ISO 11446	Belegung der Steckdose / Maximale Ausgangsleistung Socket configuration / Maximum power output Correspondance des contacts de la prise / Puissance de sortie maximale Abbinamento della presa / Uscita di alimentazione massima Indeling van de stekkerdoos / maximaal uitgangsvermogen			
	1/L	BK/WT	21W	
	2	WT	42W	
	1-8	3/31	BR	
	4/R	BK/GN	21W	
	5/58-R	GY/RD	52W	
	6/54	BK/RD	63W	
	7/58-L	GY/BK	52W	
	8	BL/RD	42W	
	9	RD	240W	
	10	YL	180W	
	10	11	YL/BR	
	12			
	9	13	RD/BR	

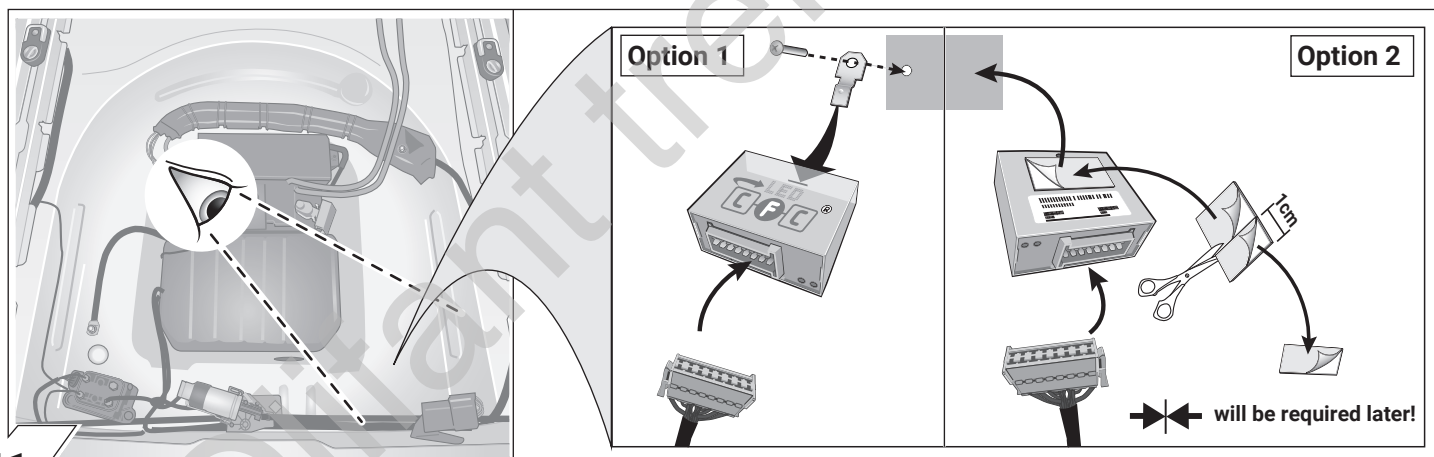


	(GB)	(D)	(E)	(F)	(I)	(P)	(NL)	(DK)	(N)	(S)	(FIN)	(CZ)	(H)	(PL)
<b>BK</b>	Black	Schwarz	Negro	Noir	Nero	Preto	Zwart	Sort	Svart	Svart	Musta	Černá	Fekete	Czarny
<b>RD</b>	Red	Rot	Rojo	Rouge	Rosso	Vermelho	Rood	Rød	Rød	Röd	Punainen	Červená	Piros	Czerwony
<b>GN</b>	Green	Grün	Verde	Vert	Verde	Verde	Groen	Grøn	Grønt	Grön	Vihreä	Zelená	Zöld	Zielony
<b>OR</b>	Orange	Orange	Naranja	Orange	Arancione	Laranja	Oranje	Orange	Orange	Orange	Oranssi	Oranzová	Narancs	Pomarańczowy
<b>VT</b>	Violet	Violett	Violeta	Violet	Viola	Violeta	Violet	Violet	Fiolett	Violett	Violetti	Fialová	Ibolya	Fioletowy
<b>PK</b>	Pink	Pink	Pink	Rose	Rosa	Cor-de-Rosa	Paars	Pink	Pink	Rosa	Pinkki	Růžová	Rózsaszín	Różowy
<b>BL</b>	Blue	Blau	Azul	Bleu	Blu	Azul	Blauw	Blå	Blått	Blå	Sininen	Modrá	Kék	Niebieski
<b>YL</b>	Yellow	Gelb	Amarillo	Jaune	Giallo	Amarelo	Geel	Gul	Gult	Gul	Keltainen	Zlutá	Sárga	Żółty
<b>WT</b>	White	Weiss	Blanco	Blanc	Bianco	Branco	Wit	Hvid	Hvitt	Vit	Valkoinen	Bílá	Fehér	Biały
<b>BR</b>	Brown	Braun	Marrón	Brun	Marrone	Marrom	Bruin	Brun	Brunt	Brun	Ruskea	Hnědá	Barna	Brazowy
<b>GY</b>	Grey	Grau	Gris	Gris	Grigio	Cinzeno	Grijs	Grå	Grått	Grå	Harmaa	Sedá	Szürke	Szary

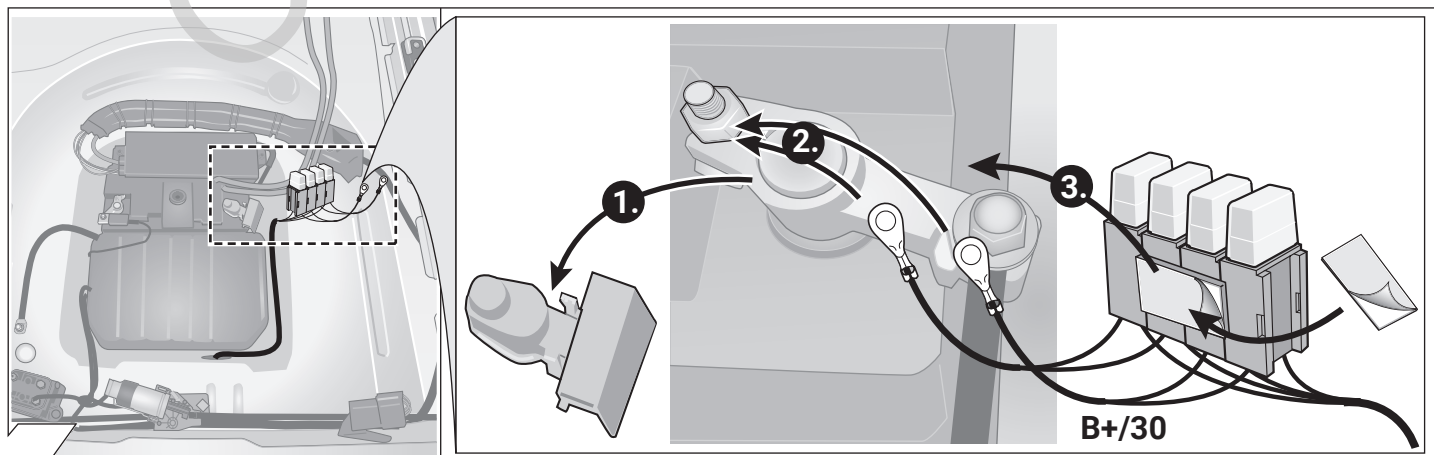
9



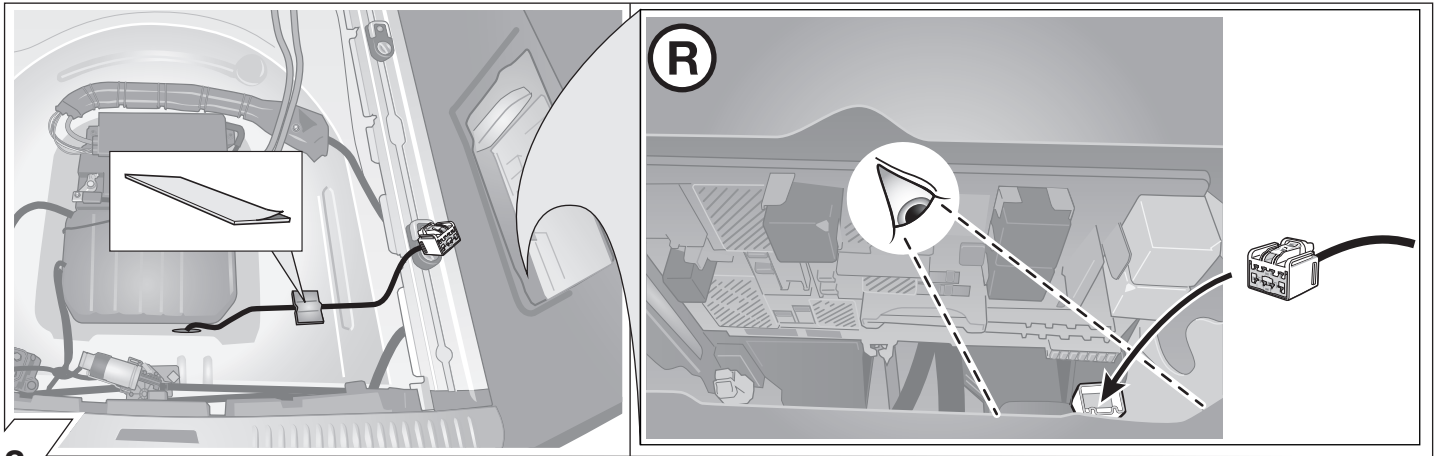
10



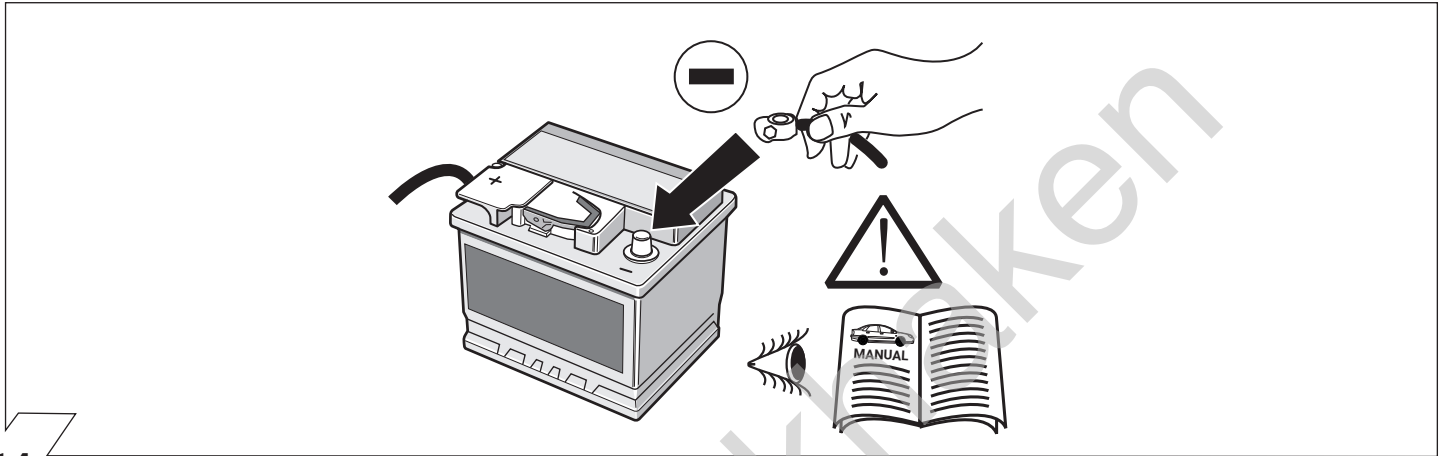
11



12



13



14

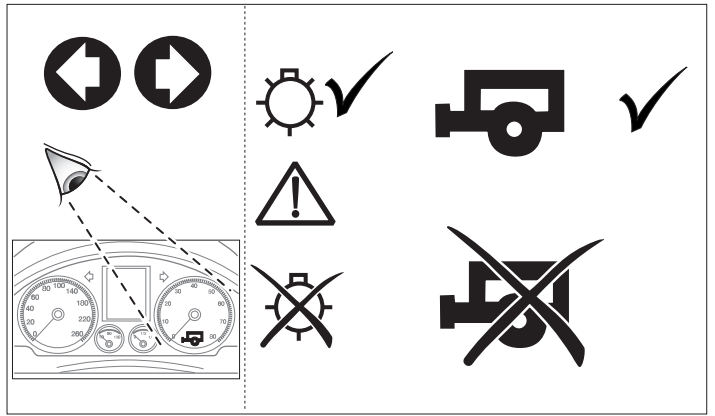
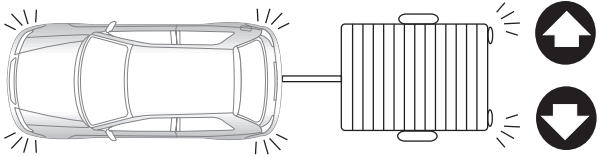
<p><b>OPTION 1</b></p>			
	<p>Codierung Steuergerät Code control unit Codage dispositif de commande Codifica dispositivo di controllo Contralor de codificacion Bedieningsapparaat coderen</p>		
<p>Driver assist systems supported in trailer mode</p>			<p><b>P</b> </p>

15

<p><b>OPTION 1</b></p>	<p><b>Ignition OFF</b></p> <p>1.</p>	<p>2.</p>	<p><b>Ignition ON</b></p> <p>3.</p>
------------------------	--------------------------------------	-----------	-------------------------------------

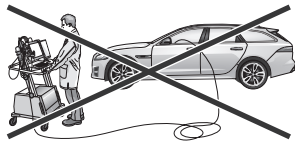
16

**OPTION 1**



17

**OPTION 2**



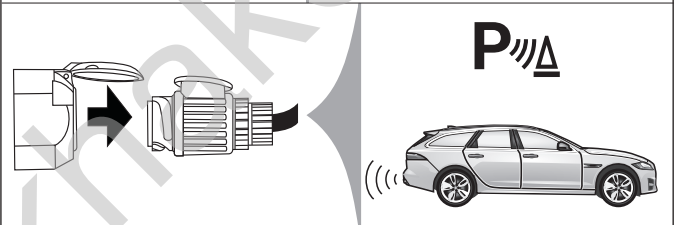
keine Codierung  
no coding  
pas de codage  
nessuna codifica  
sin codificación  
geen codering



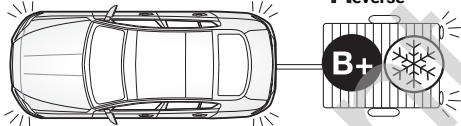
Driver assist systems  
NOT supported in  
trailer mode



25 - 29



18



	9	✓
	10	✓

**OPTIONAL**

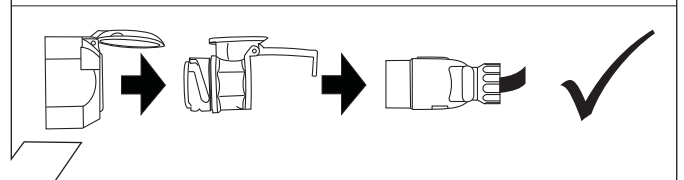
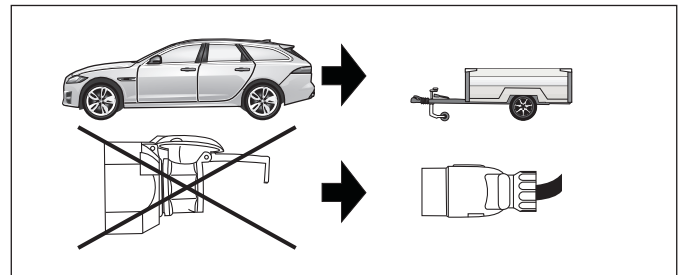
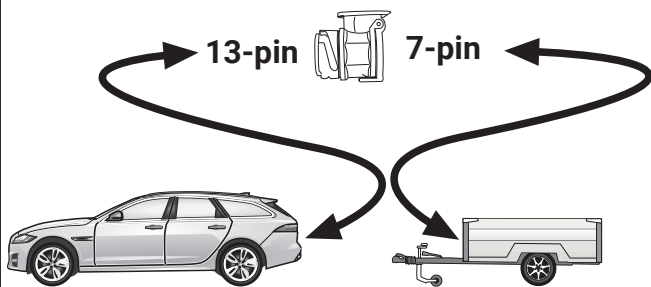
Trailer Simulator  
for  
7- and 13-pin  
Sockets



19

20

**Optional: Adapter socket**



21

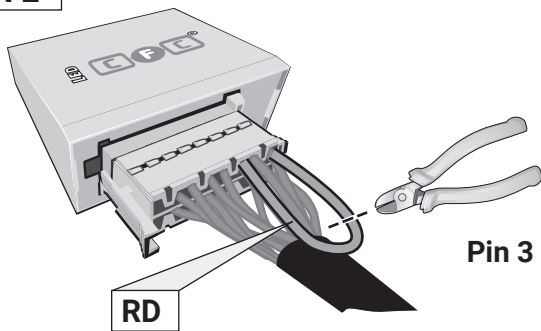
22

OPTION 2

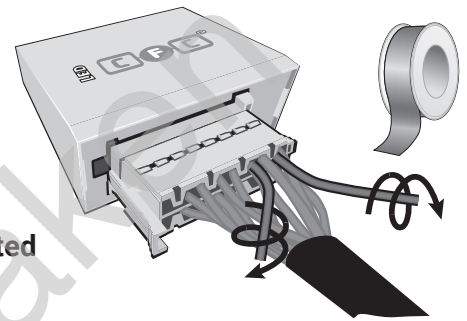


25

OPTION 2

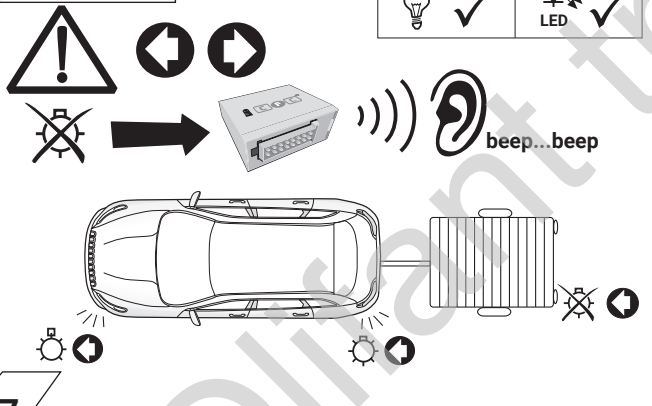


Pin 3 and Pin 2 disconnected



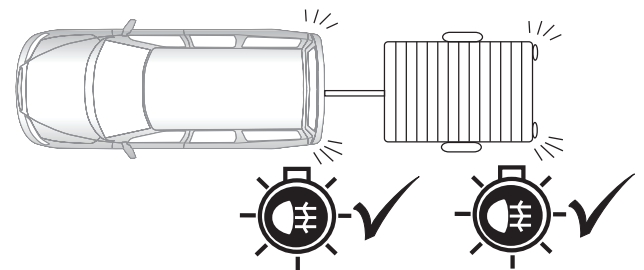
26

OPTION 2



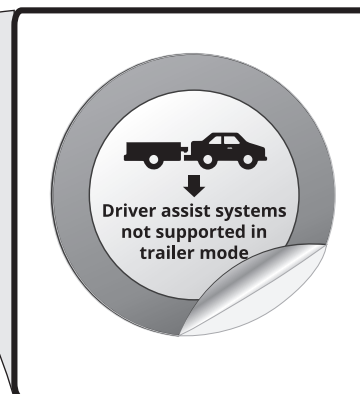
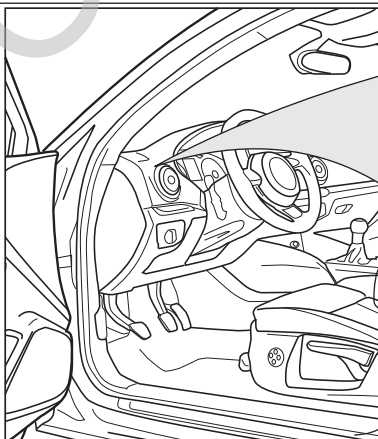
27

OPTION 2



28

OPTION 2



29