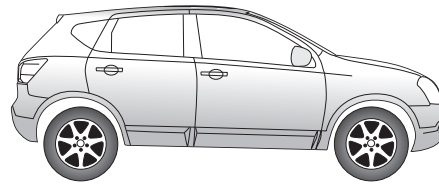


Qashqai (J10) 02/07 → 01/14



Qashqai+2 (J10) 10/08 → 01/14

D

Elektro-Einbausatz für Anhängerkupplung / 13-polig / 12 Volt / ISO 11446

Einbauanleitung

GB

Electric wiring kit for towbars / 13-pin / 12 Volt / ISO 11446

Fitting instructions

F

Faisceau électrique pour crochet d'attelage / 13 broches / 12 Volt / ISO 11446

Instructions de montage

I

Cablaggio elettrico per ganci di traino / 13 poli / 12 Volt / ISO 11446

Istruzione di montaggio

E

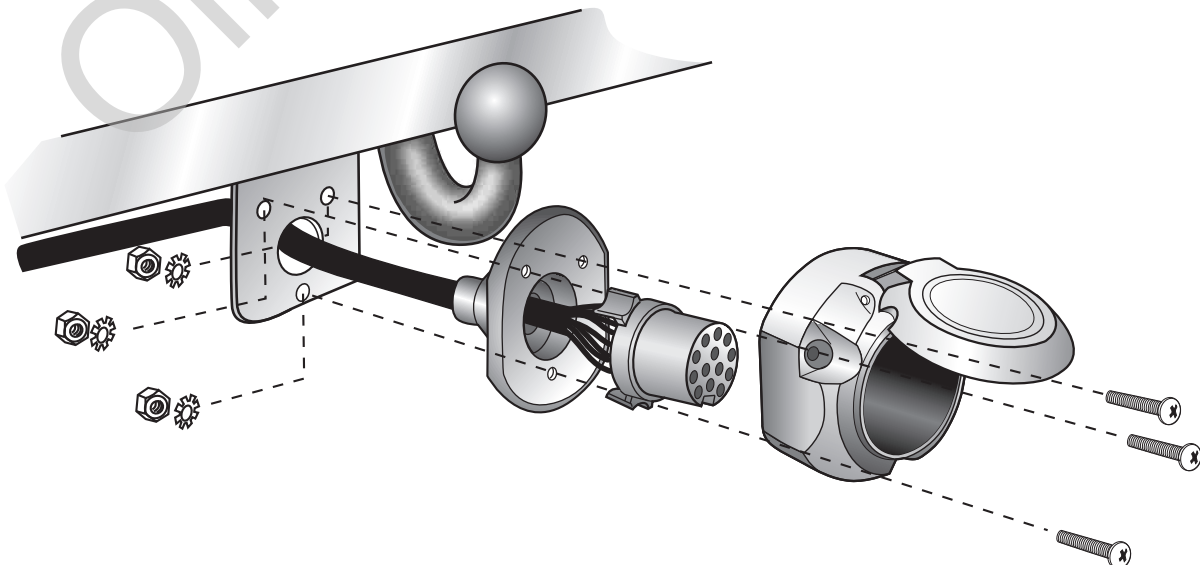
Kits eléctricos para enganches de remolques / 13 pins / 12 Volt / ISO 11446

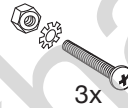
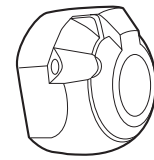
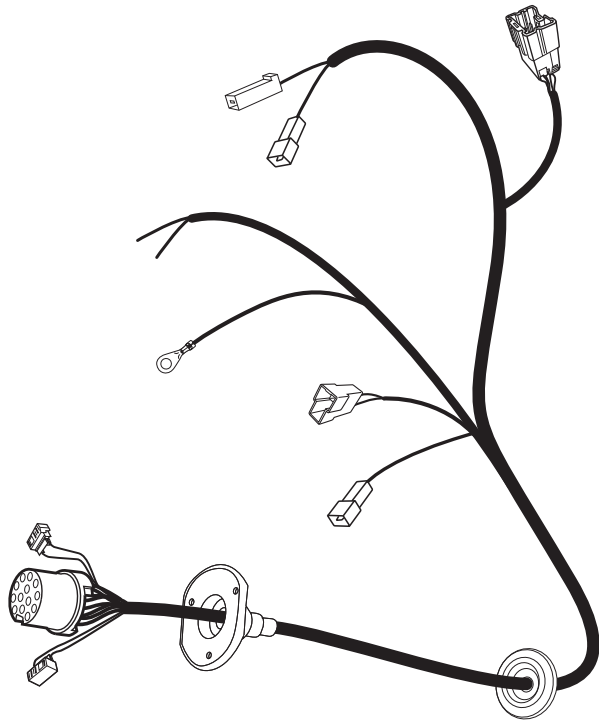
Instrucciones de montaje

NL

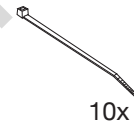
Elektro-inbouwset voor aanhangerkoppeling / 13-polig / 12 Volt / ISO 11446

Montagehandleiding

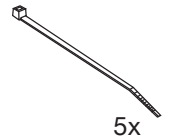




3x

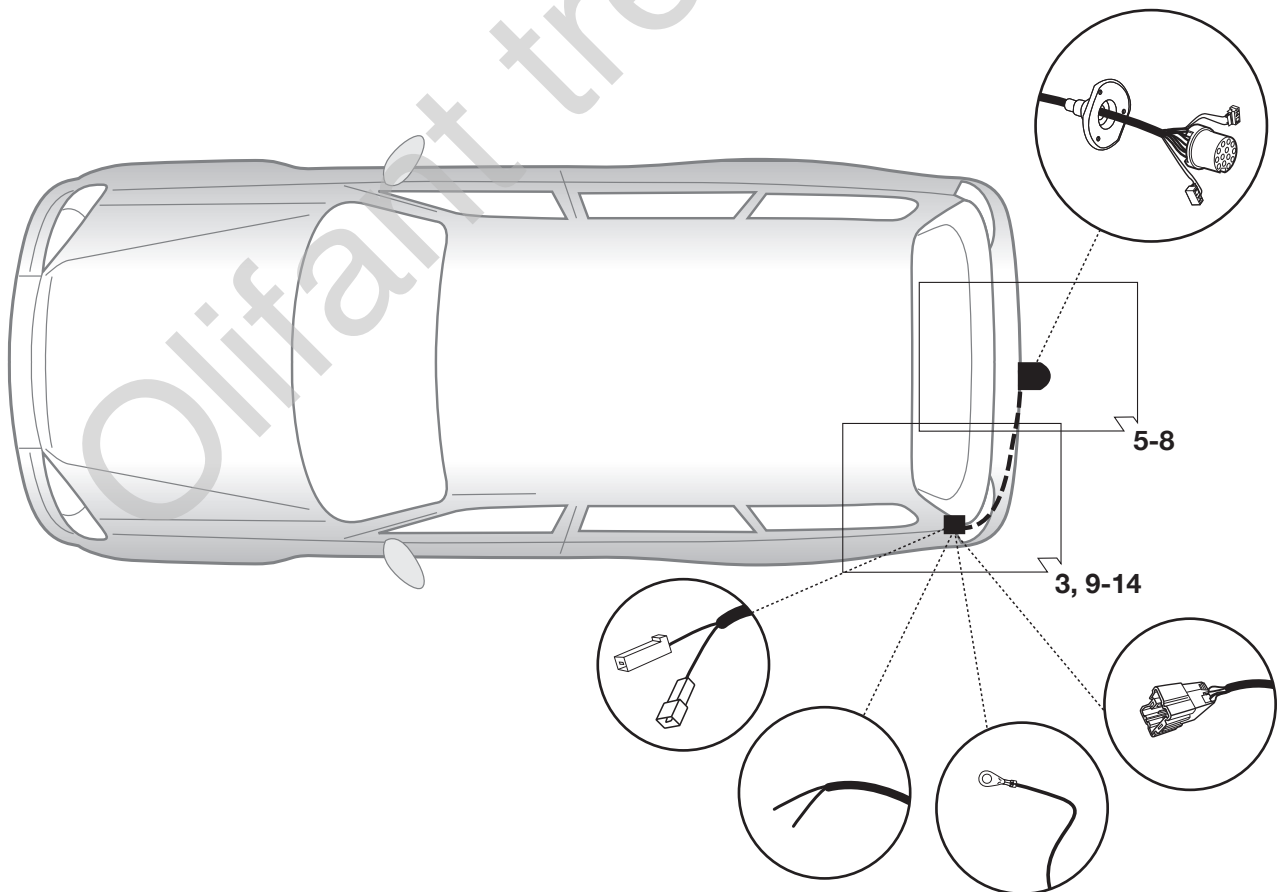


10x

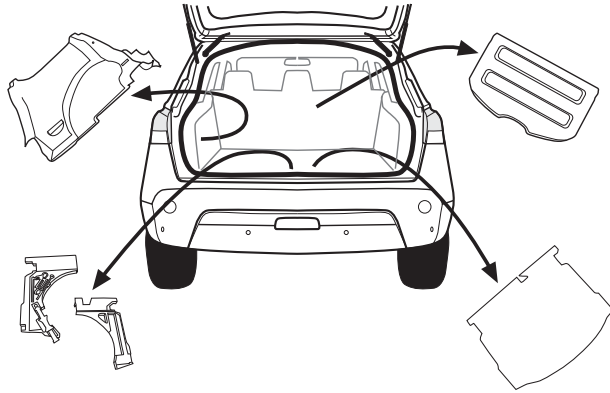


5x

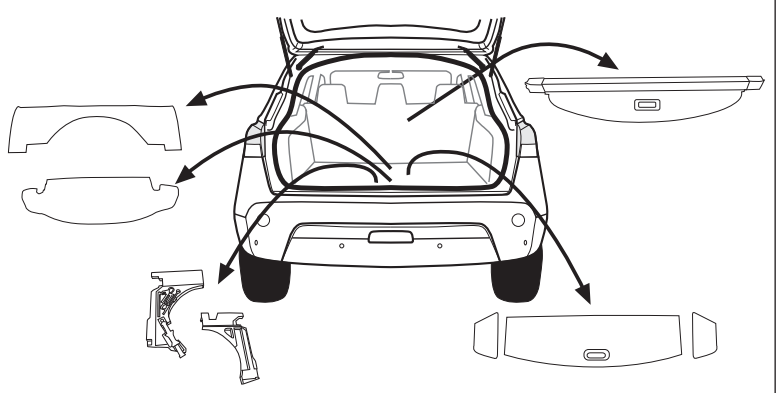
90270328



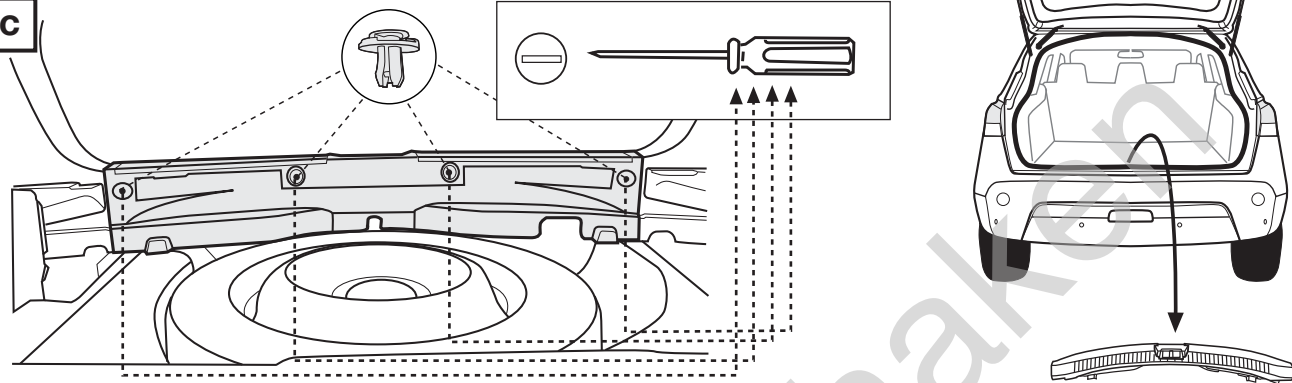
a Qashqai



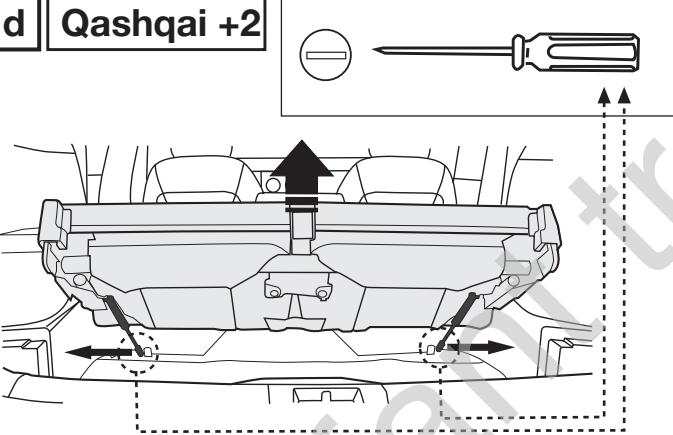
b Qashqai +2



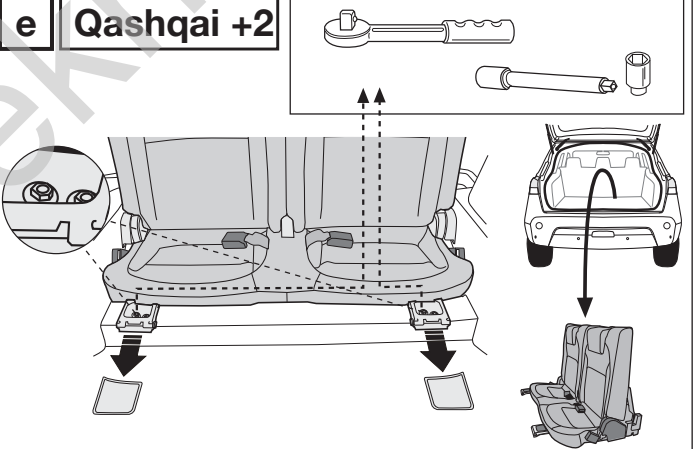
c



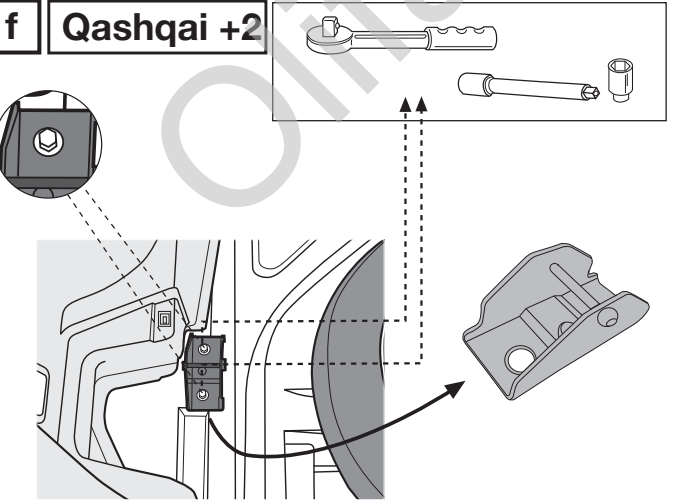
d Qashqai +2



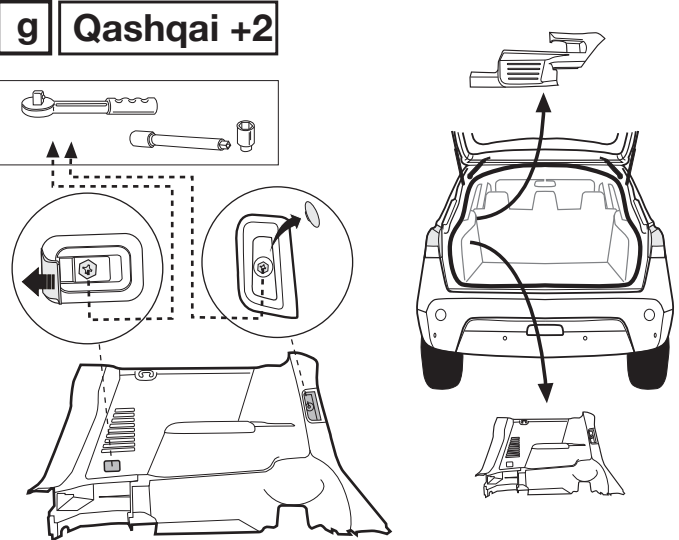
e Qashqai +2

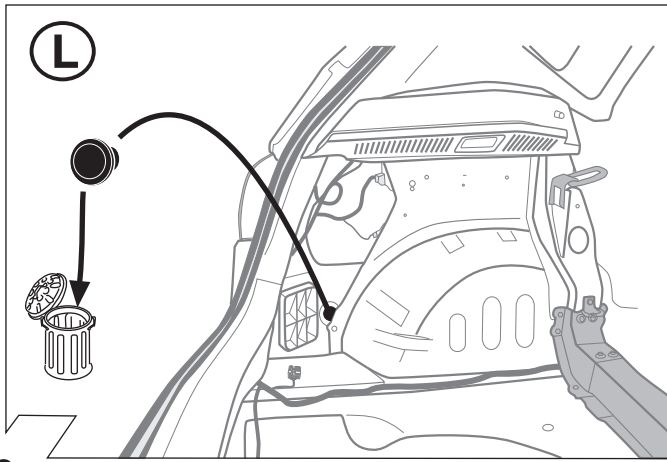


f Qashqai +2

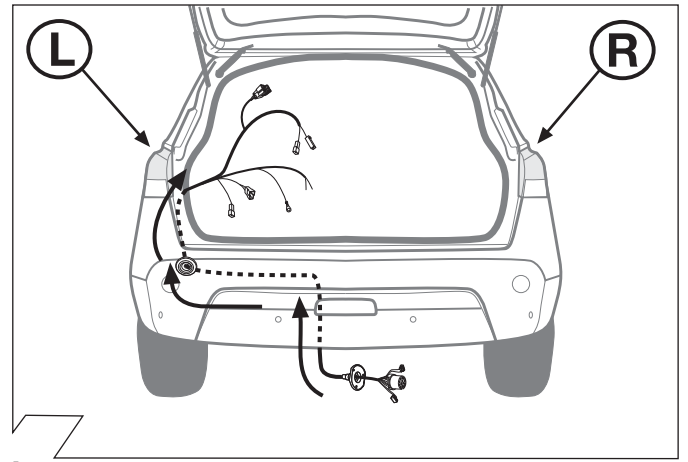


g Qashqai +2





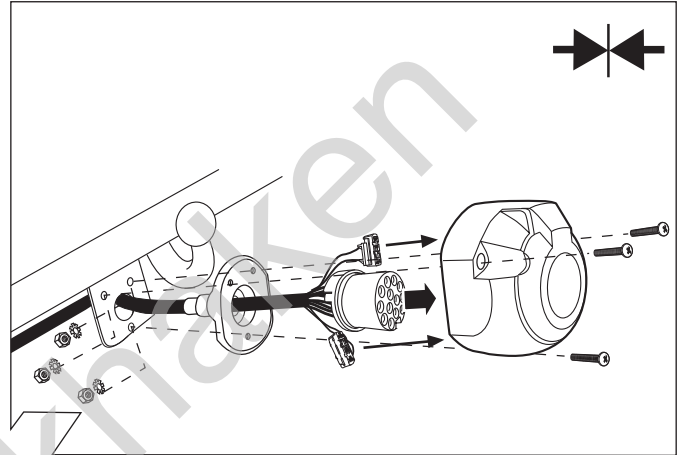
3



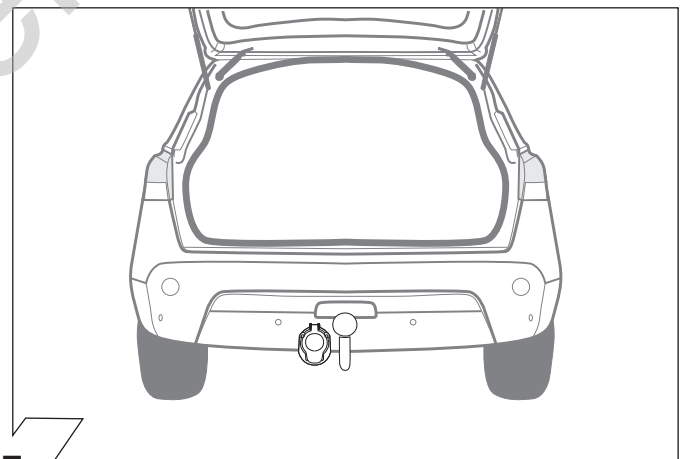
4

| ISO 11446 | Belegung der Steckdose / Maximale Ausgangsleistung Socket configuration / Maximum power output Correspondance des contacts de la prise / Puissance de sortie maximale Abbinamento della presa / Uscita di alimentazione massima Indeling van de stekkerdoos / maximaal uitgangsvermogen | | |
|-----------|---|-----------------|-----------------|
| | 1/L | BK/WT | 21W |
| | 2 | WT | 42W |
| | 3/31 | BR | XXXX |
| | 4/R | BK/GN | 21W |
| | 5/58-R | GY/RD | 52W |
| | 6/54 | BK/RD | 63W |
| | 7/58-L | GY/BK | 52W |
| | 8 | BL/RD | 42W |
| | 9 | RD | 240W |
| | 10 | YL | 180W |
| | 11 | YL/BR | XXXX |
| | 12 | XXXX | XXXX |
| | 13 | RD/BR | XXXX |

5



6

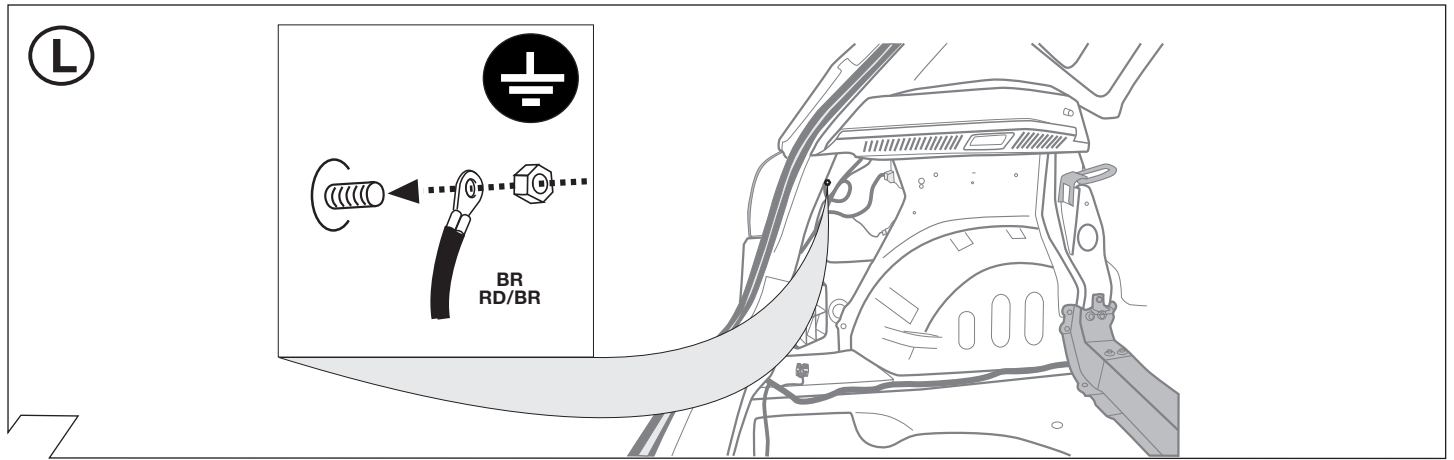


7

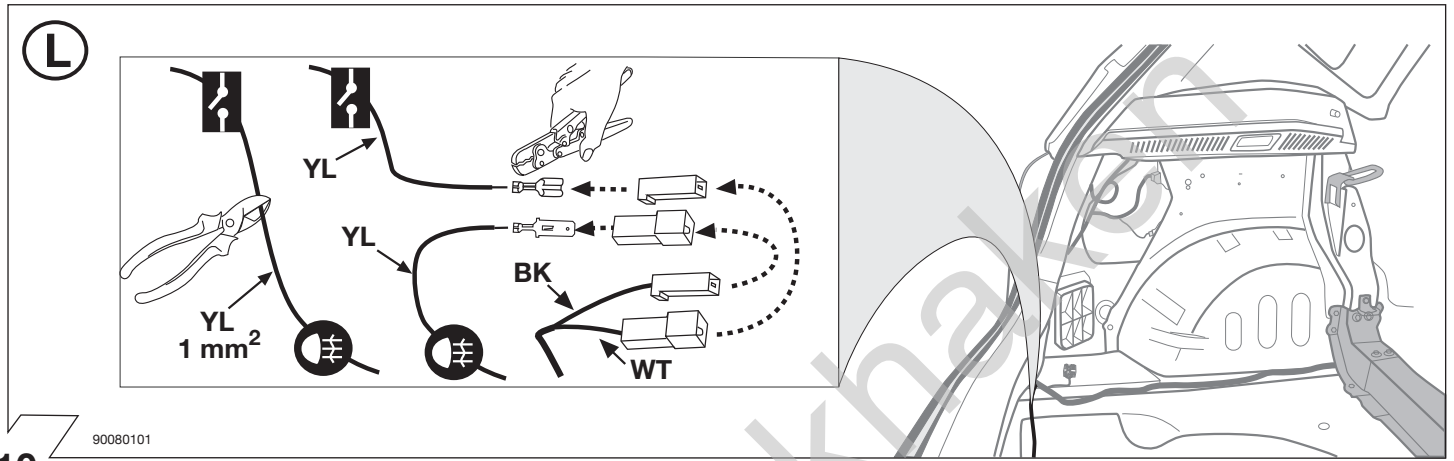
| | GB | D | E | F | I | P | NL | DK | N | S | FIN | CZ | H | PL |
|----|--------|---------|----------|--------|-----------|-------------|--------|--------|---------|---------|-----------|----------|-----------|--------------|
| BK | Black | Schwarz | Negro | Noir | Nero | Preto | Zwart | Sort | Svart | Svart | Musta | Černá | Fekete | Czarny |
| RD | Red | Rot | Rojó | Rouge | Rosso | Vermelho | Rood | Röd | Röd | Röd | Punainen | Červená | Piros | Czerwony |
| GN | Green | Grün | Verde | Vert | Verde | Verde | Groen | Gron | Grönt | Grön | Vihreä | Zelená | Zöld | Zielony |
| OR | Orange | Orange | Naranja | Orange | Arancione | Laranja | Oranje | Orange | Orange | Orange | Oranssi | Oranzová | Narancs | Pomarańczowy |
| VT | Violet | Violett | Violeta | Violet | Viola | Violeta | Violet | Violet | Fiolett | Violett | Violetti | Fialová | Ibolya | Fioletowy |
| PK | Pink | Pink | Pink | Rose | Rosa | Cor-de-Rosa | Paars | Pink | Pink | Rosa | Pinkki | Růžová | Rózsaszín | Różowy |
| BL | Blue | Blau | Azul | Bleu | Blu | Azul | Blauw | Blå | Blått | Blå | Sininen | Modrá | Kék | Niebieski |
| YL | Yellow | Gelb | Amarillo | Jaune | Giallo | Amarelo | Geel | Gul | Gult | Gul | Keltainen | Zlutá | Sárga | Żółty |
| WT | White | Weiss | Bianco | Blanc | Bianco | Branco | Wit | Hvid | Hvitt | Vit | Valkoinen | Bílá | Fehér | Biały |
| BR | Brown | Braun | Marrón | Brun | Marrone | Marrom | Bruin | Brun | Brunt | Brun | Ruskea | Hnědá | Barna | Brazowy |
| GY | Grey | Grau | Gris | Gris | Grigio | Cinzeno | Grijs | Grå | Grått | Grå | Harmaa | Sedá | Szürke | Szary |

8

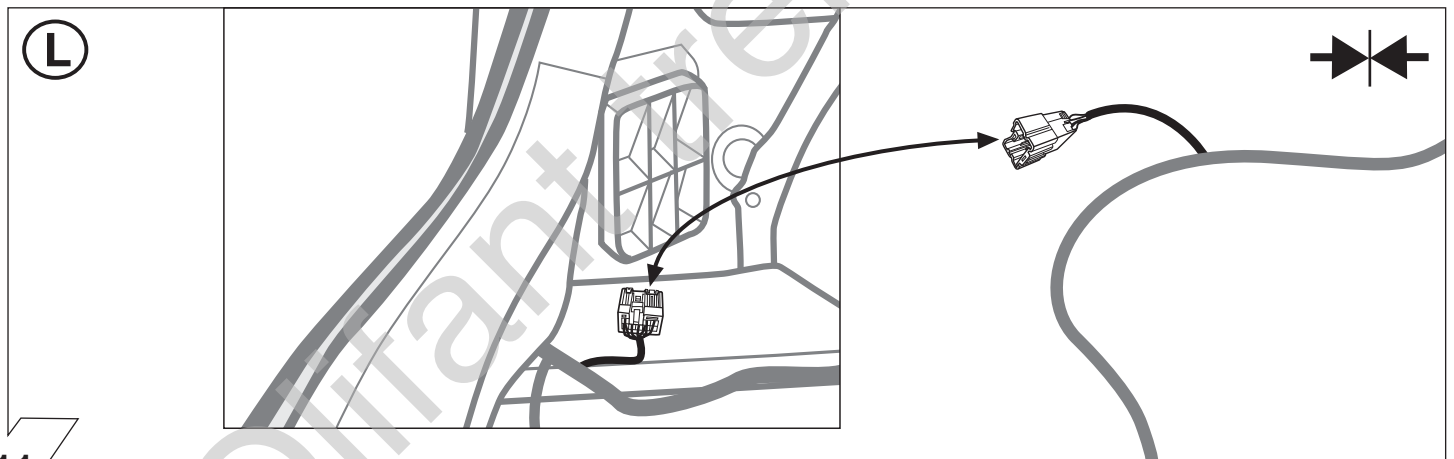
90500580



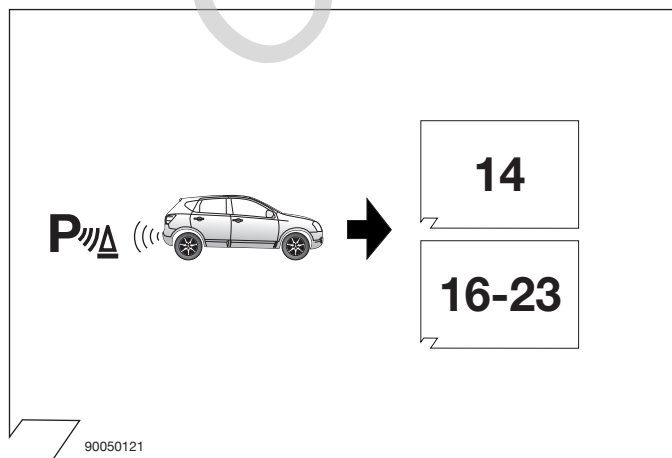
9



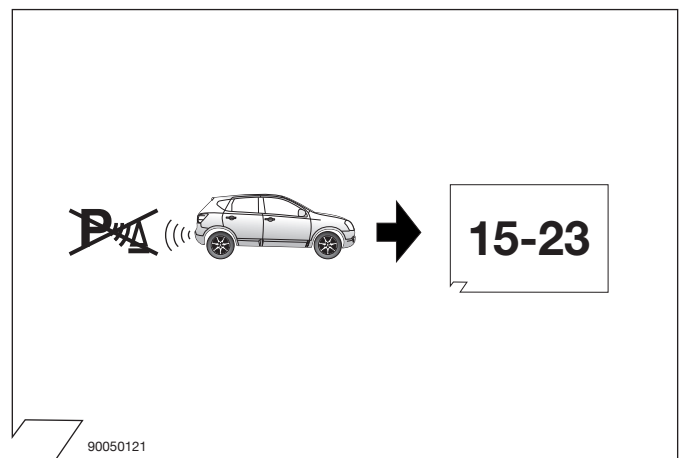
10



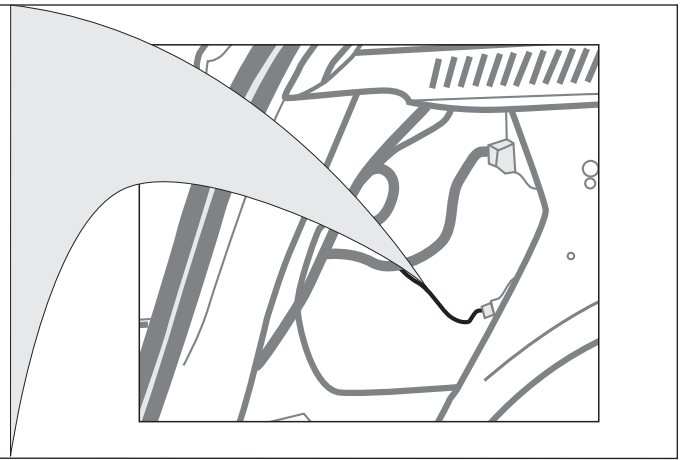
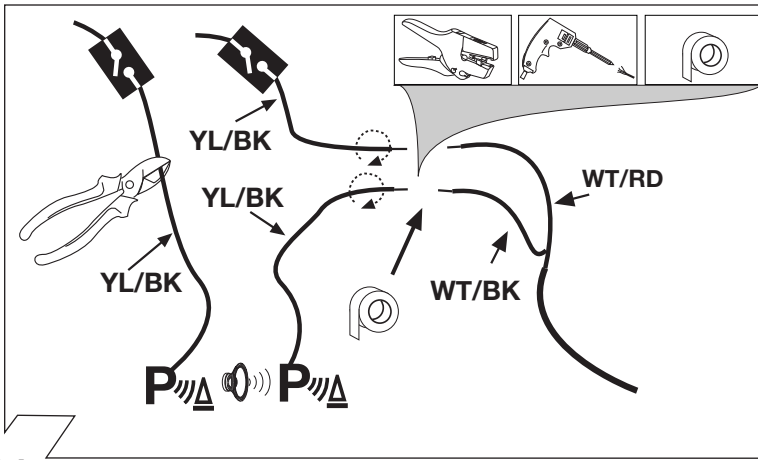
11



12



13

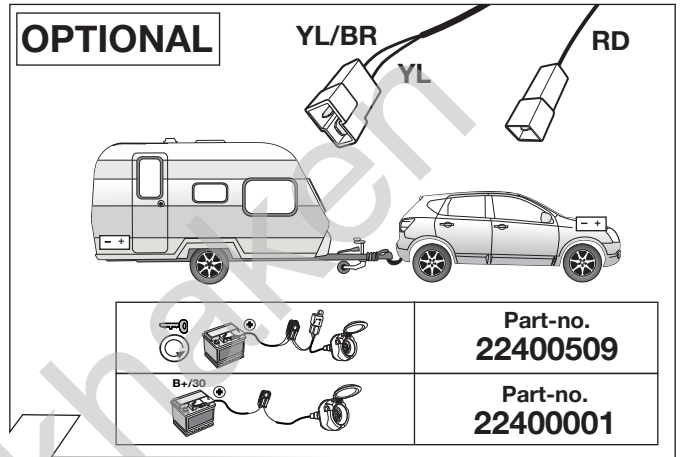


14

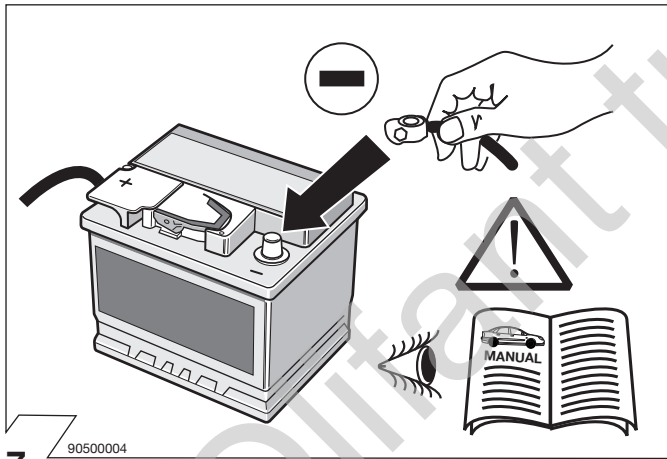


15

90010122

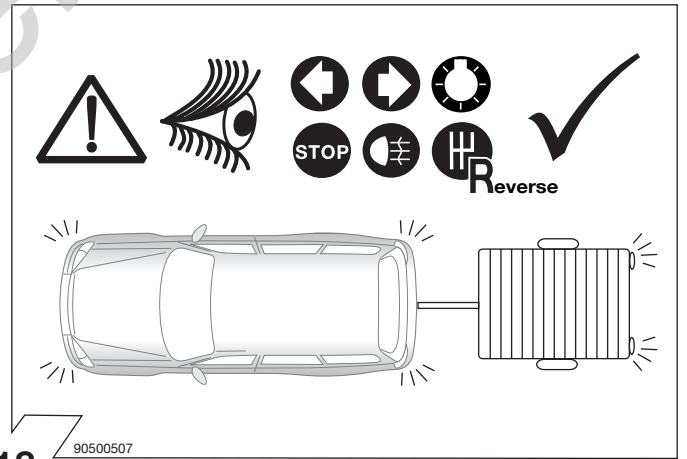


16



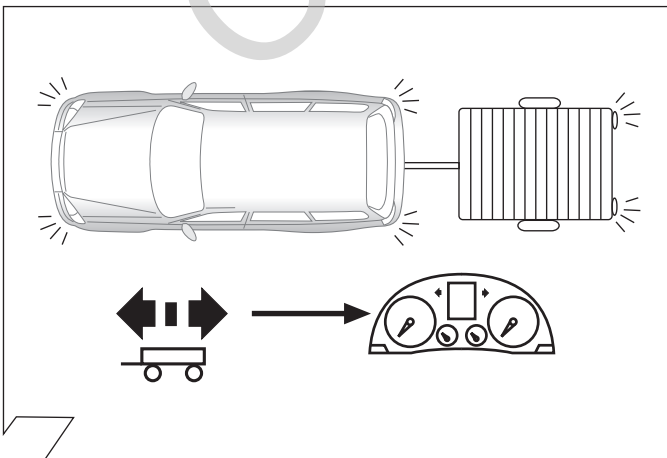
17

90500004

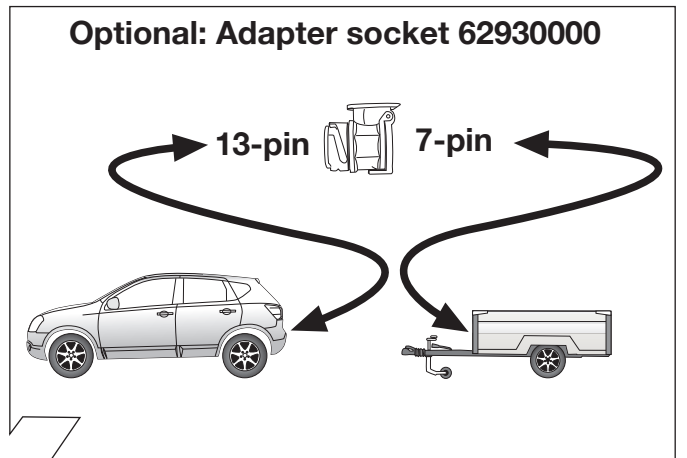


18

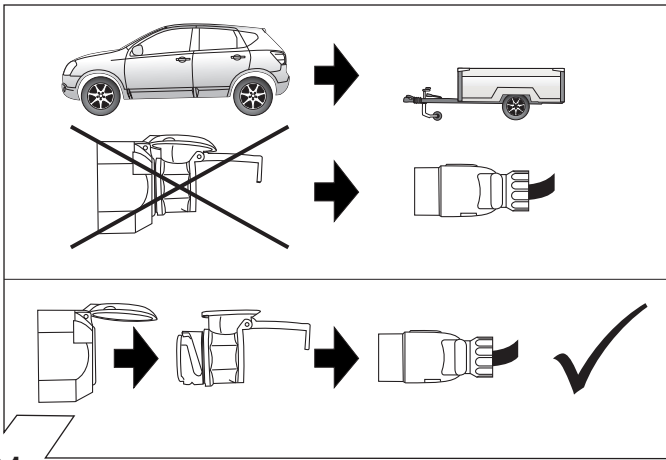
90500507



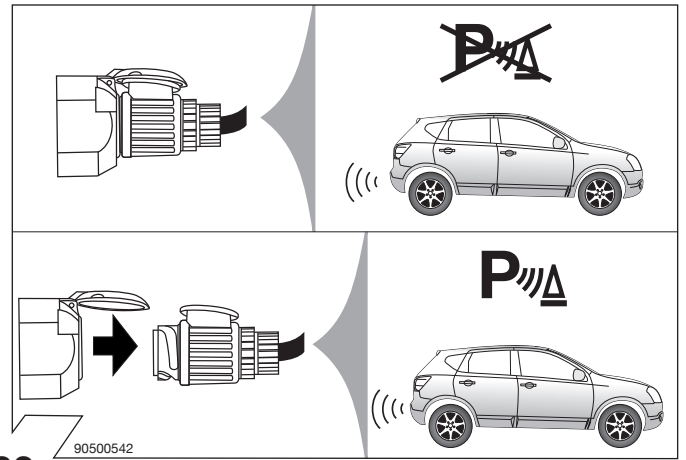
19



20



21



22

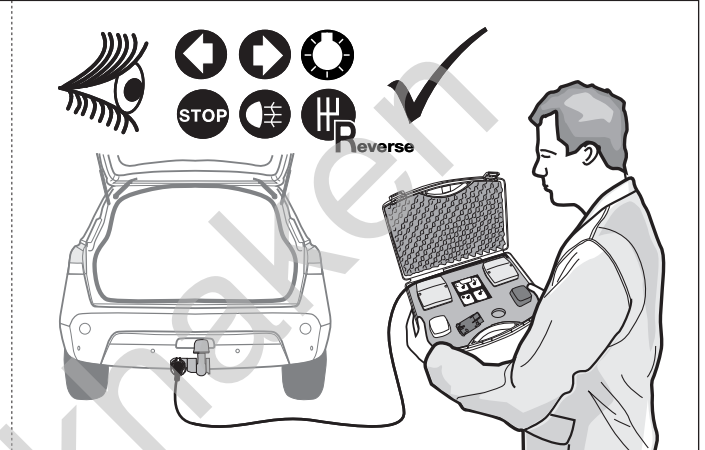
90500542

OPTIONAL

Trailer Simulator for 7- and 13-pin Sockets

Part-no. 50400107J

23



Olifant trek