



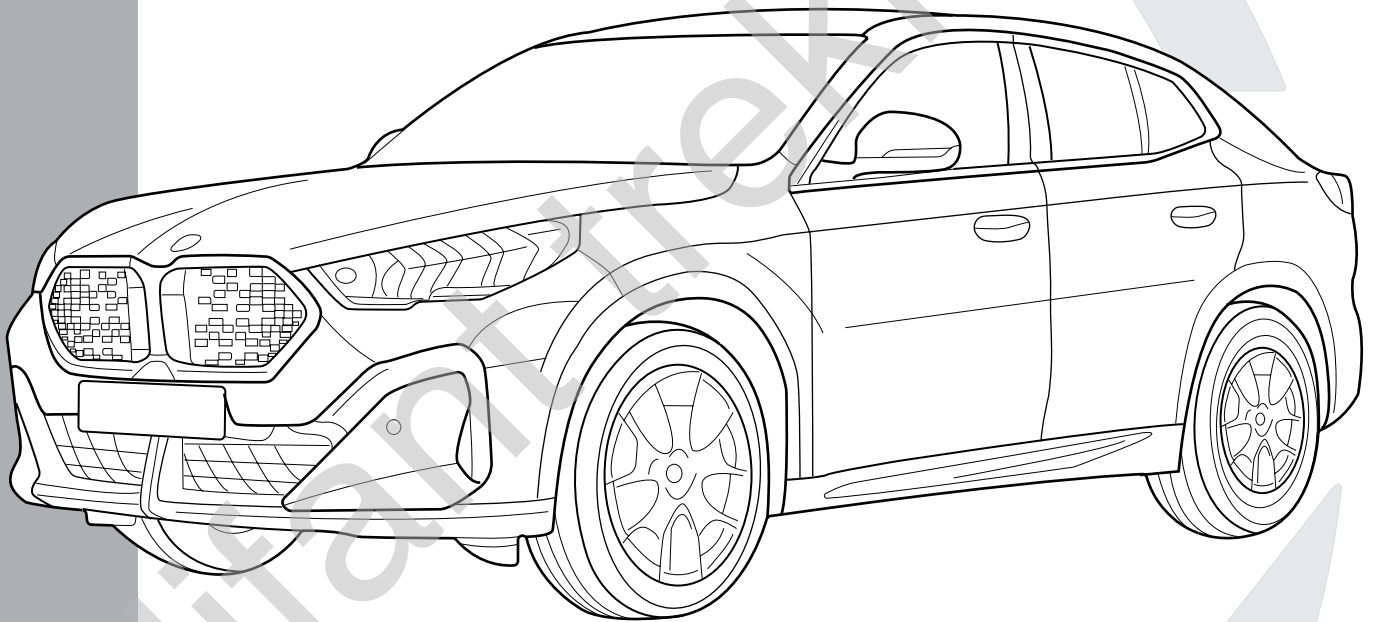
**BMW X2 (U10)**

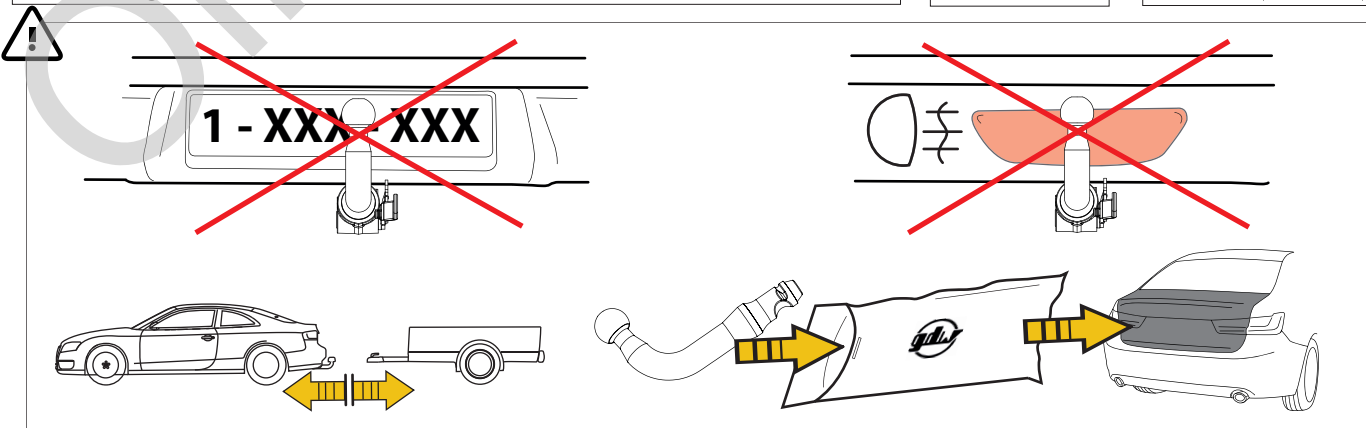
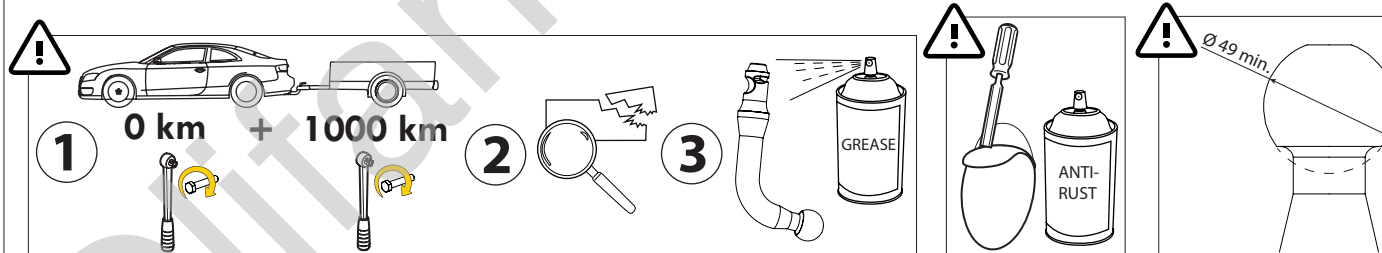
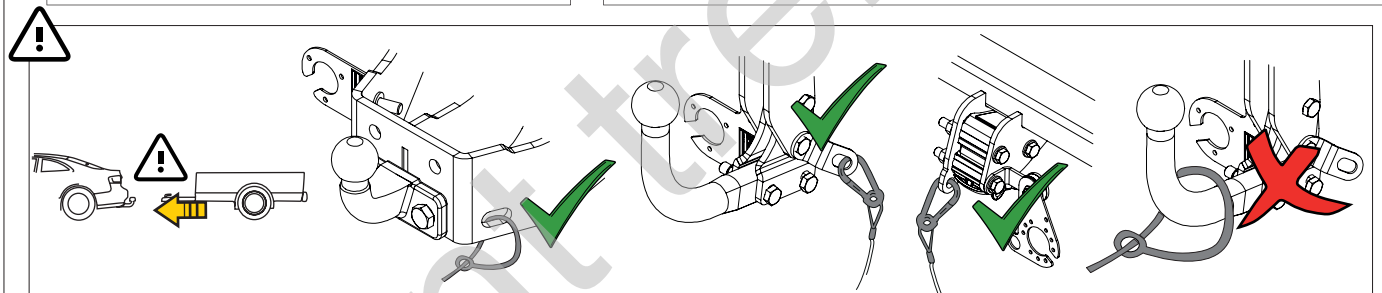
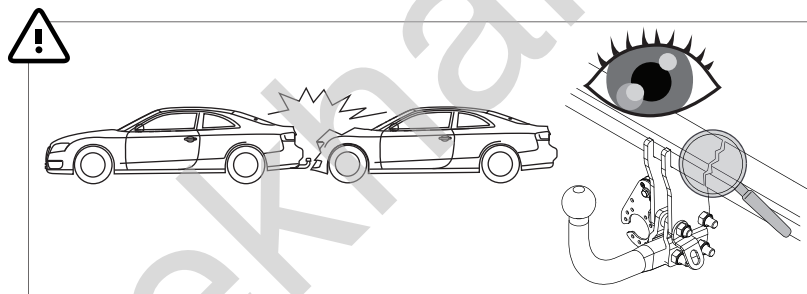
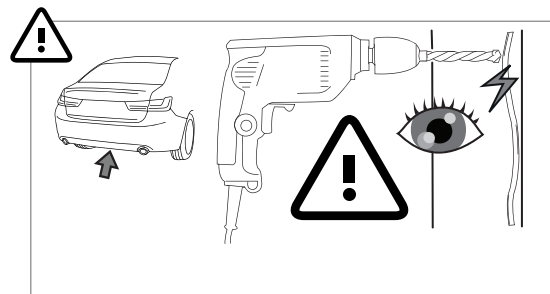
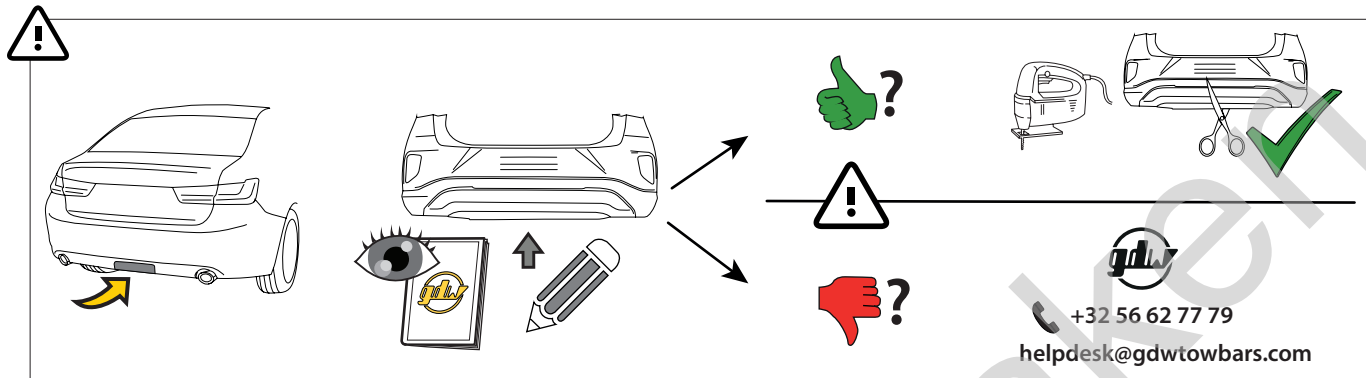
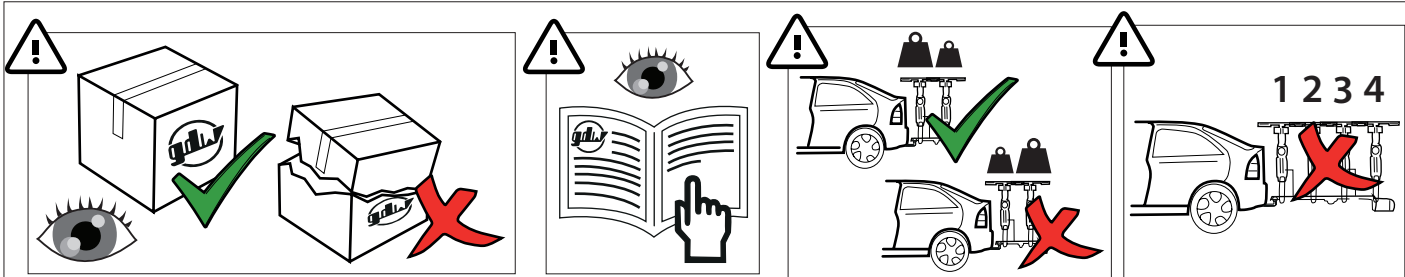
11/'23-

**BMW iX2 (U10)**

11/'23-

✓ M-SPORT PACKAGE





MADE BY



**D 11,30**

**F**

**E6**

BELGIUM

**S 80**

EC-N°

55R-02 1836

REF N°

2831

SERIAL N°

XXXX

DESCRIPTION

BMW X2 (U10) 11/'23-, BMW iX2 (U10) 11/'23-



$$D = \frac{\text{max kg (car)} \times \text{max kg (trailer)}}{\text{max kg (car)} + \text{max kg (trailer)}} \times 0.00981 \leq 11,30 \text{ kN}$$



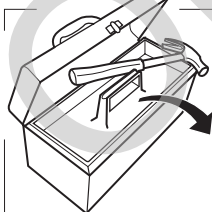
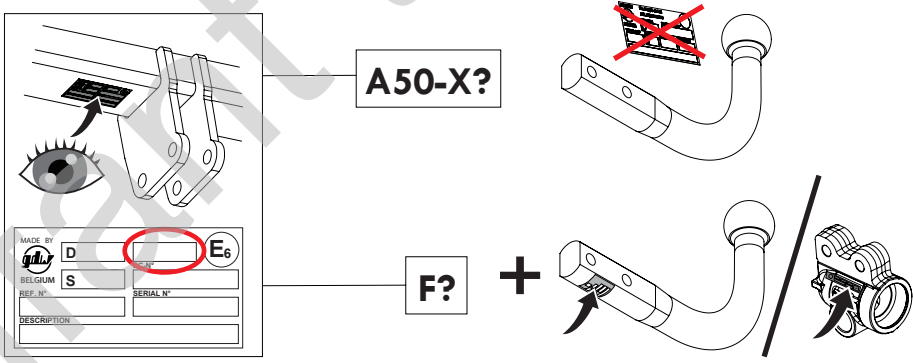
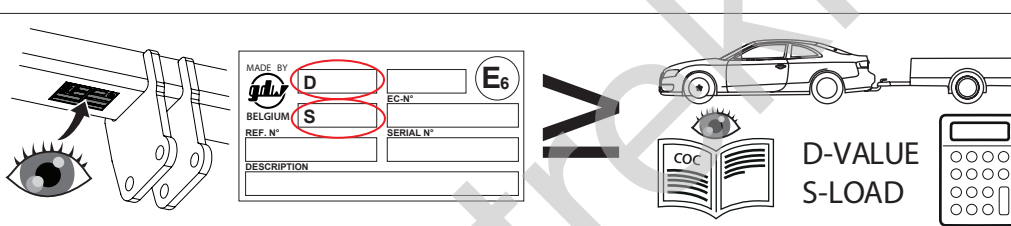
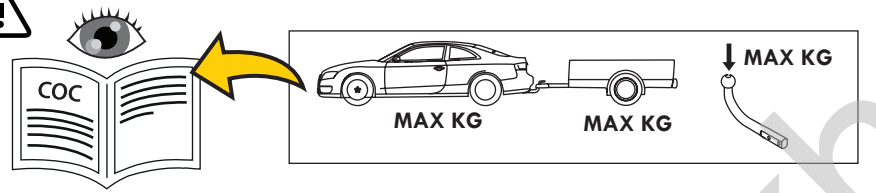
$$S = \begin{matrix} \downarrow \\ \leq 80 \text{ kg} \end{matrix} \quad \begin{matrix} \downarrow \\ \leq 1800 \text{ kg} \end{matrix}$$



See the Certificate Of Conformity (COC) of your vehicle or contact your dealer to verify the max. trailer weight of your car!



See the user manual of the vehicle for correct use of bicycle carriers!

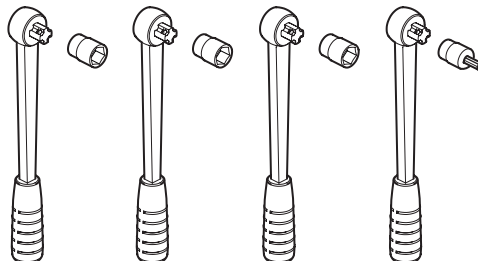


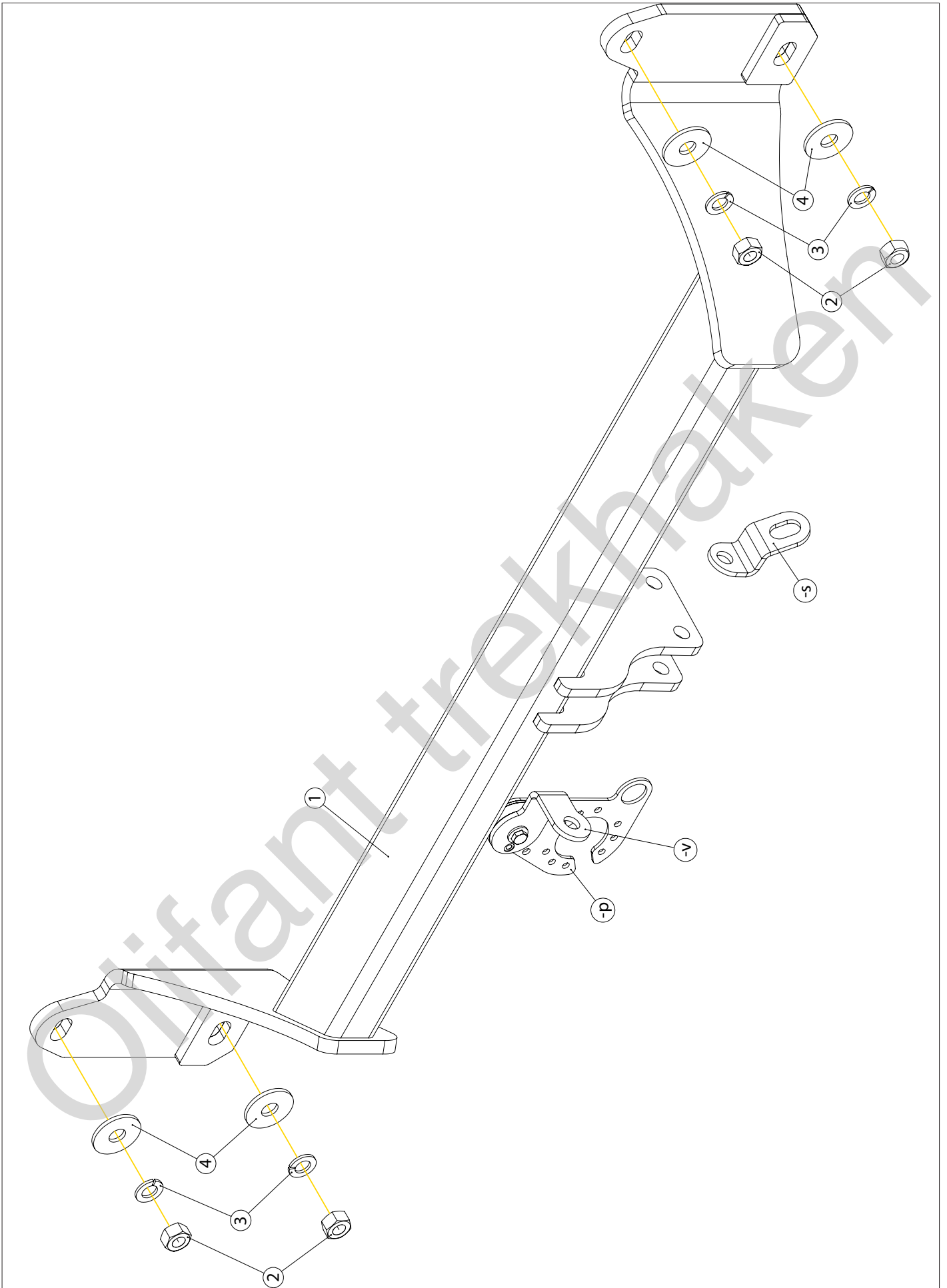
8

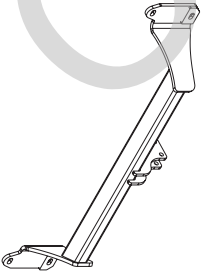

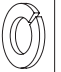


10

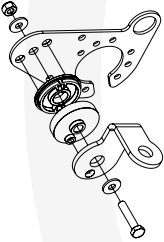
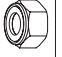






19

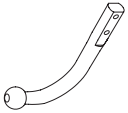




TX20






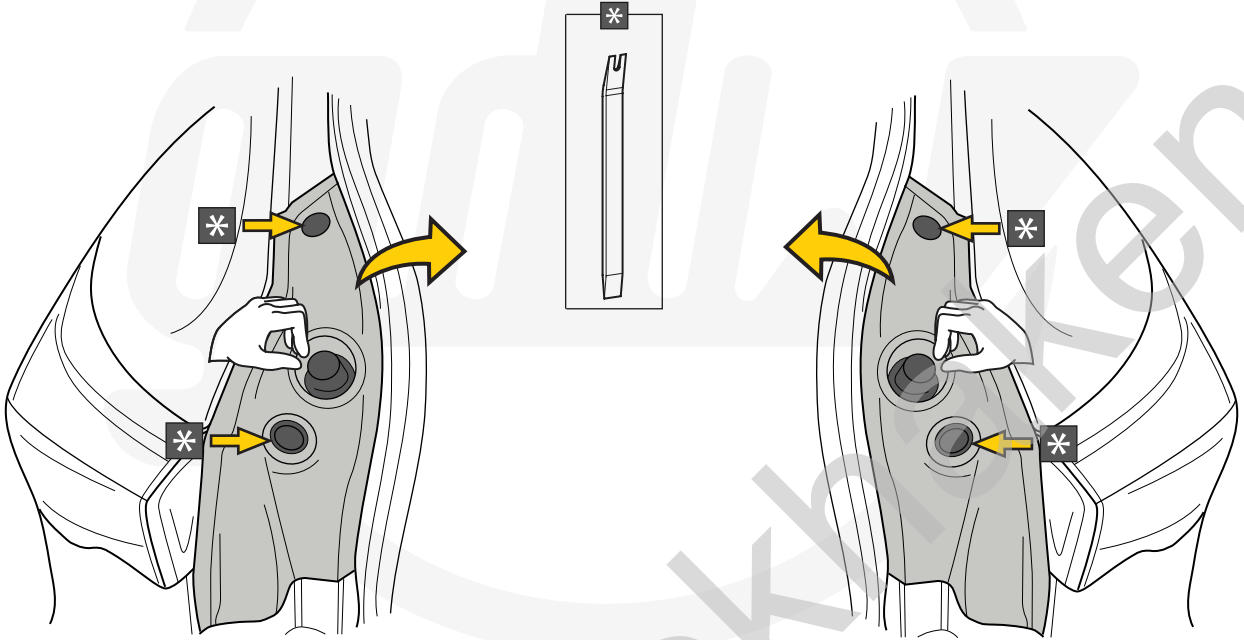
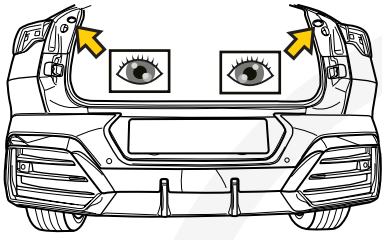
1		X1	GDW REF. 2831
2		X4	DIN9021-M12-ELVZ
3		X4	DIN128A-M12
4		X4	DIN934-M12X1,5-KL10
-5		X1	GDW REF. 900.053

-P		X1	GDW REF. P39
┆		X1	DIN985-M6
┆		X2	6,2 X 15,4 X 1,6 (NYLON)
┆		X1	GDW REF. 718.16.002
┆		X1	GDW REF. 718.16.003
┆		X1	GDW REF. 908.094
┆		X1	DIN933-M6 X 30
┆		X1	GDW REF. 908.095

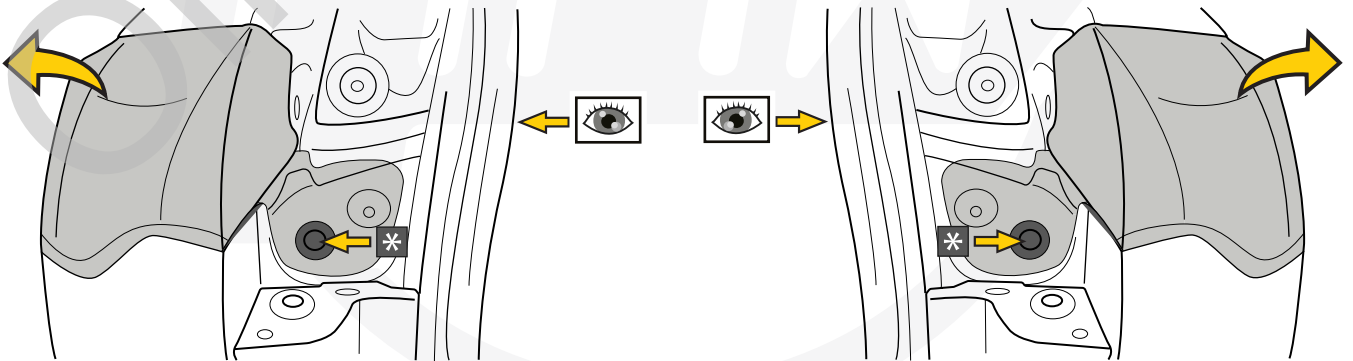
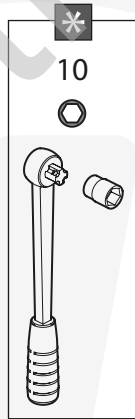
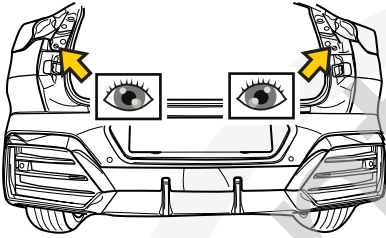
Geleverd met - Livré avec - Delivered with Gefleert mit - Elementos adjuntos-Leveres med		X1	944.L031
		X2	GDW REF. 900.008
		X2	GDW REF. 900.011 Ø 21,3 X 11,7
		X4	DIN931-M12 X 70 -10.9
		X4	DIN985-M12 KL.10.9

<b>OPTION T36</b>		
	X1	KIT T36-2831

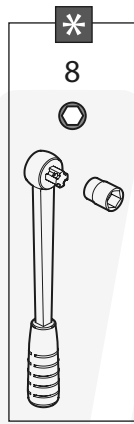
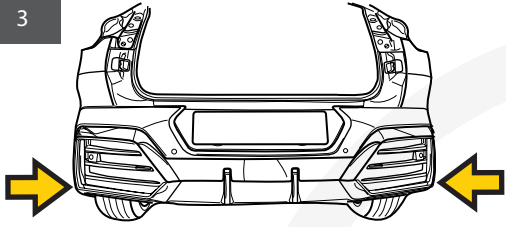
1



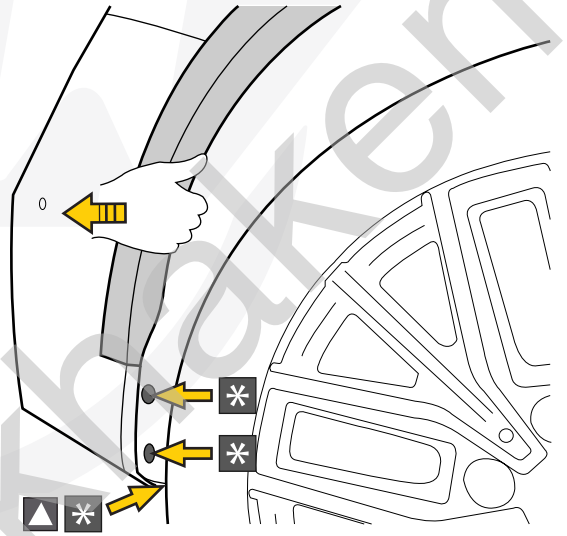
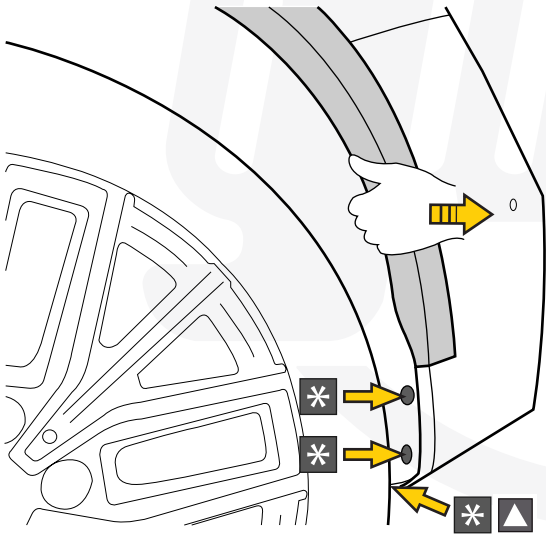
2



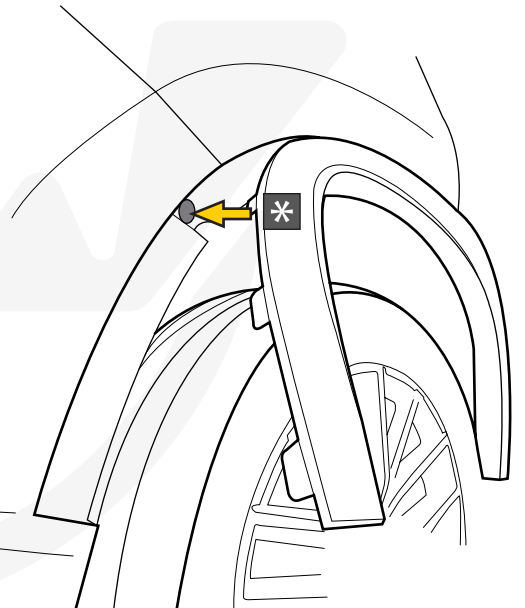
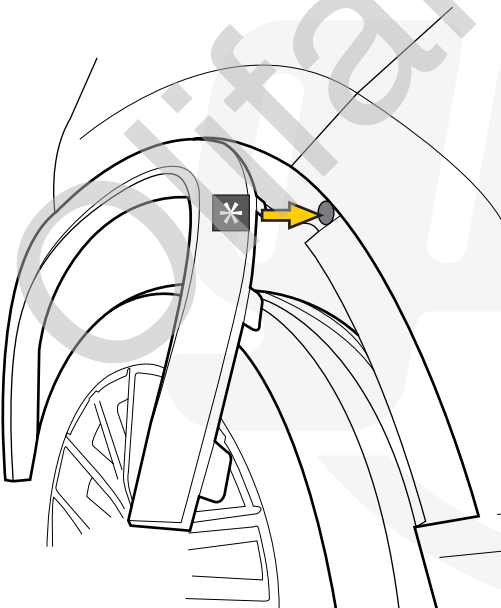
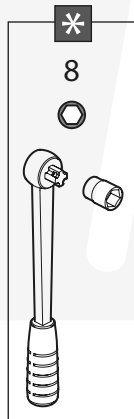
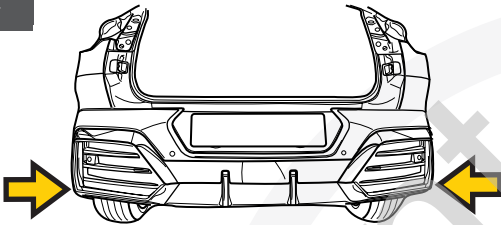
3

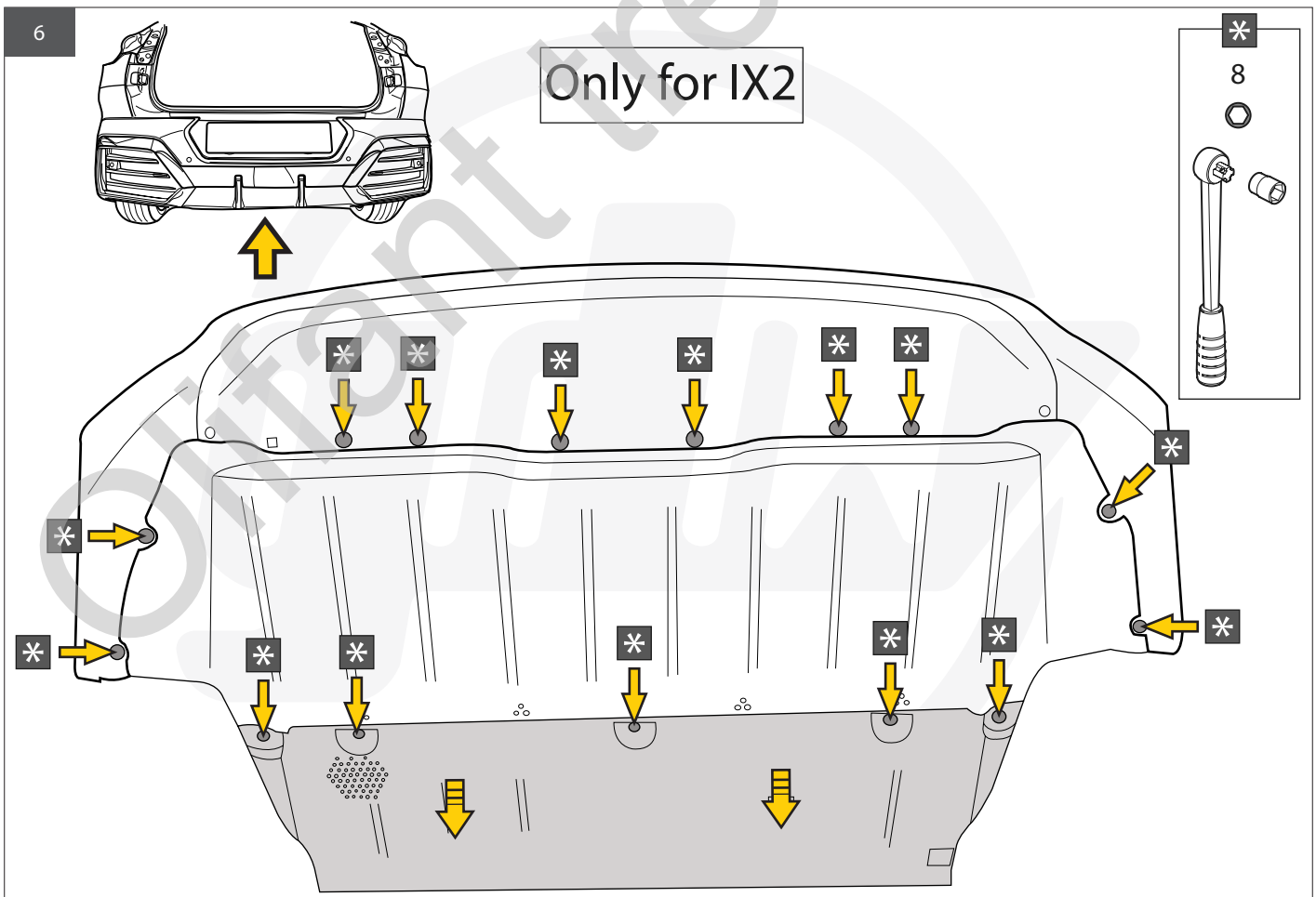
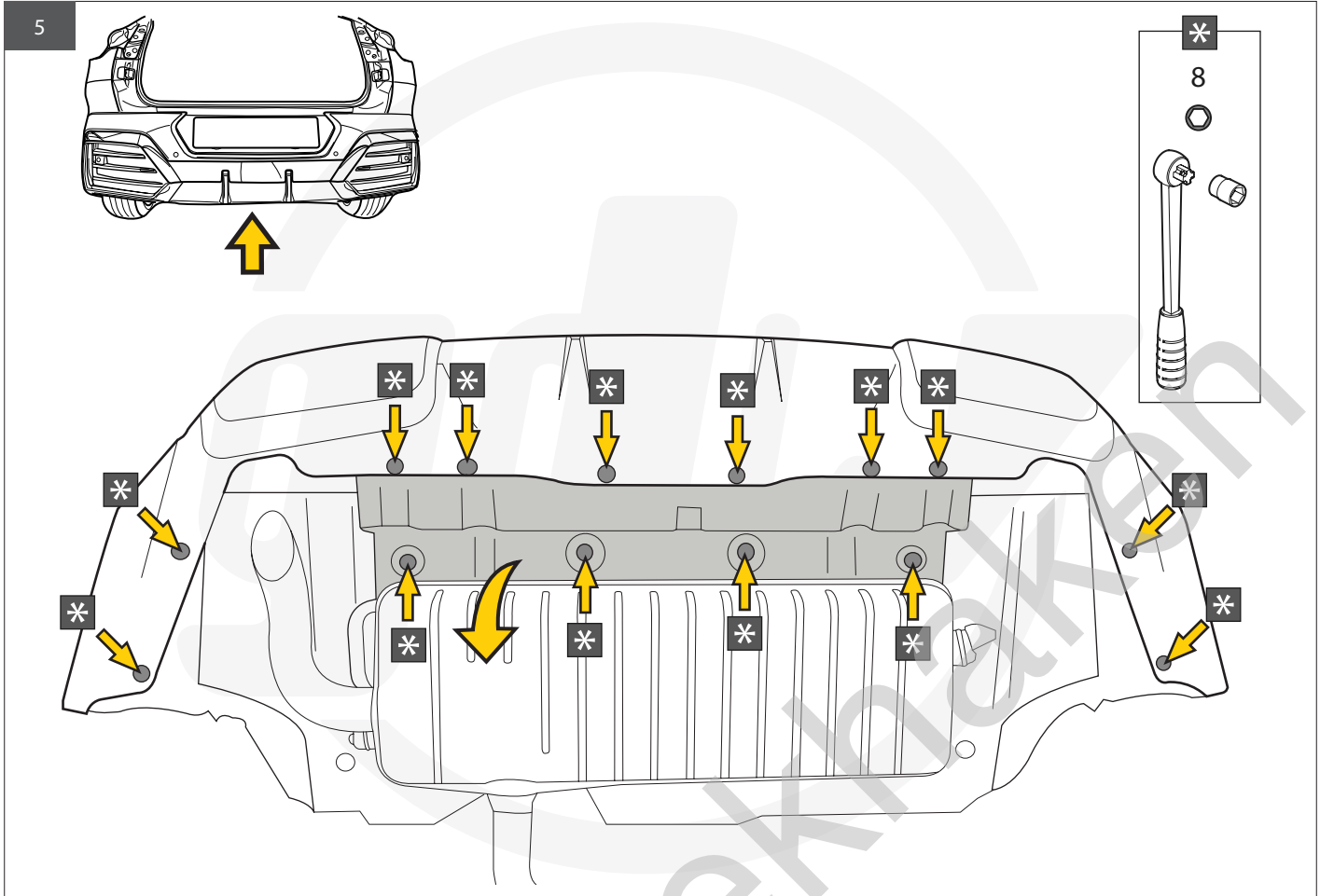


Only for IX2



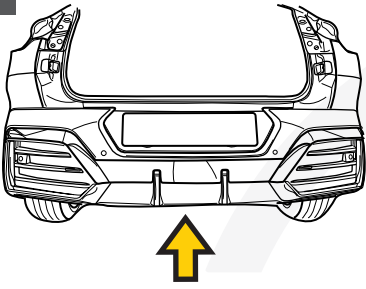
4



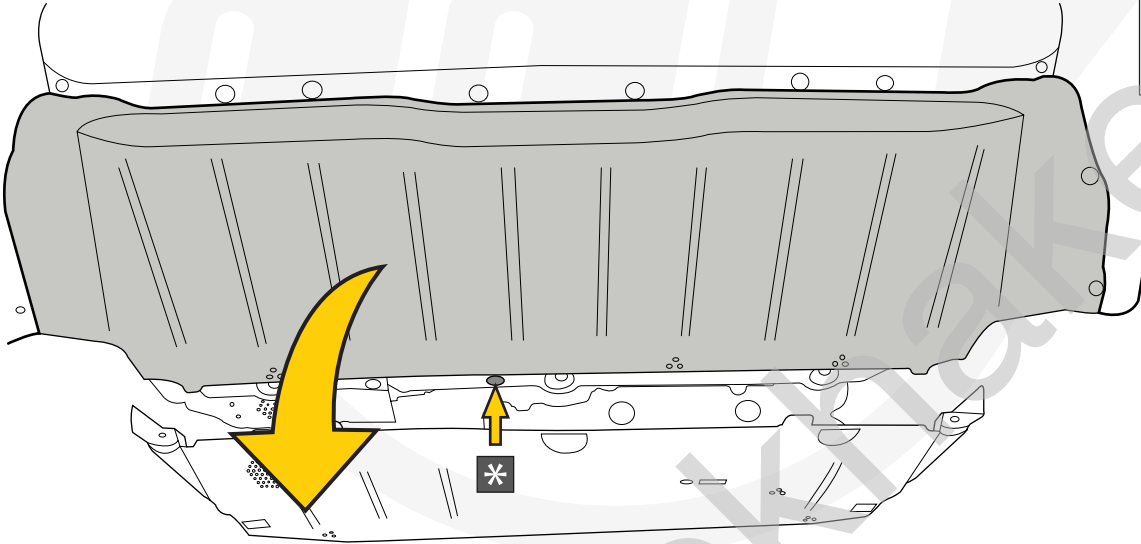
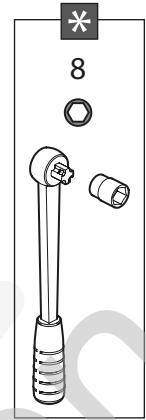




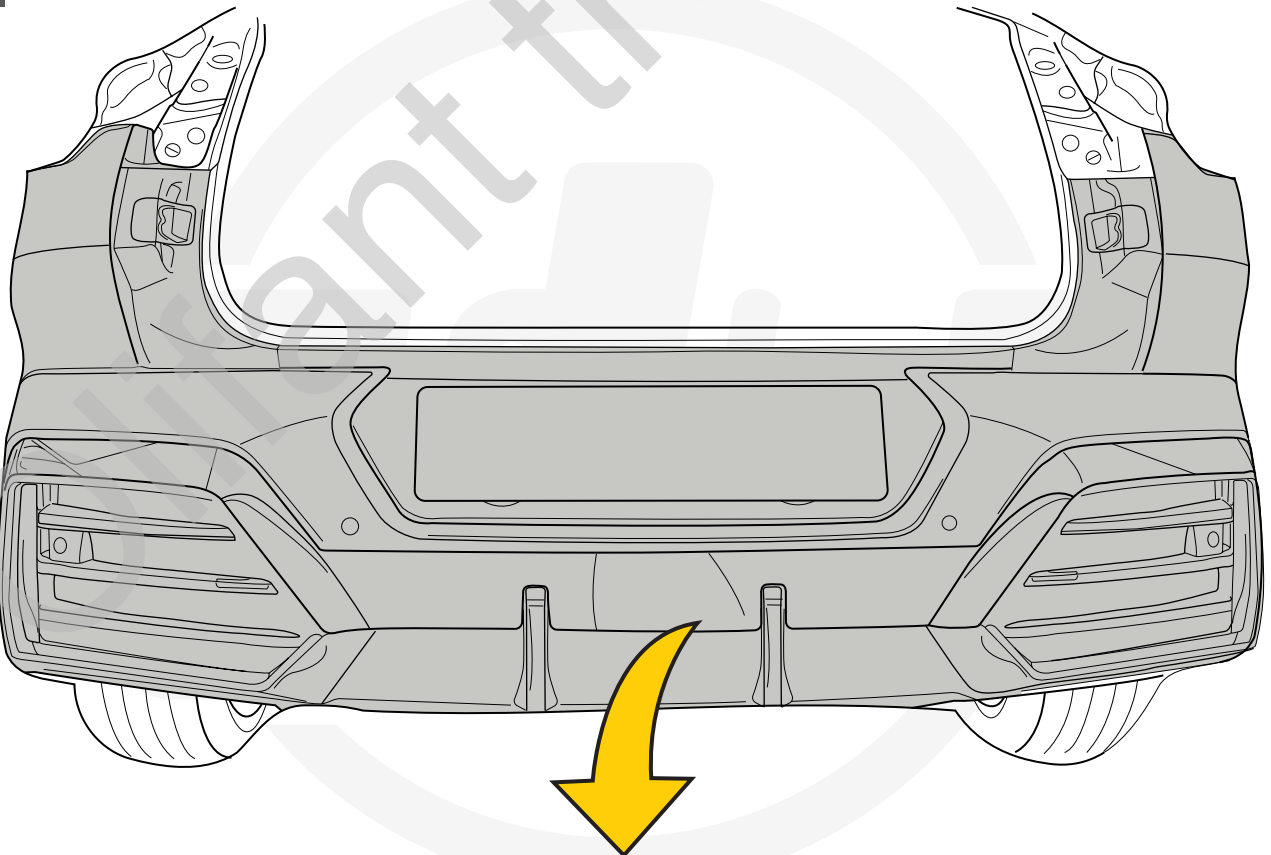
7

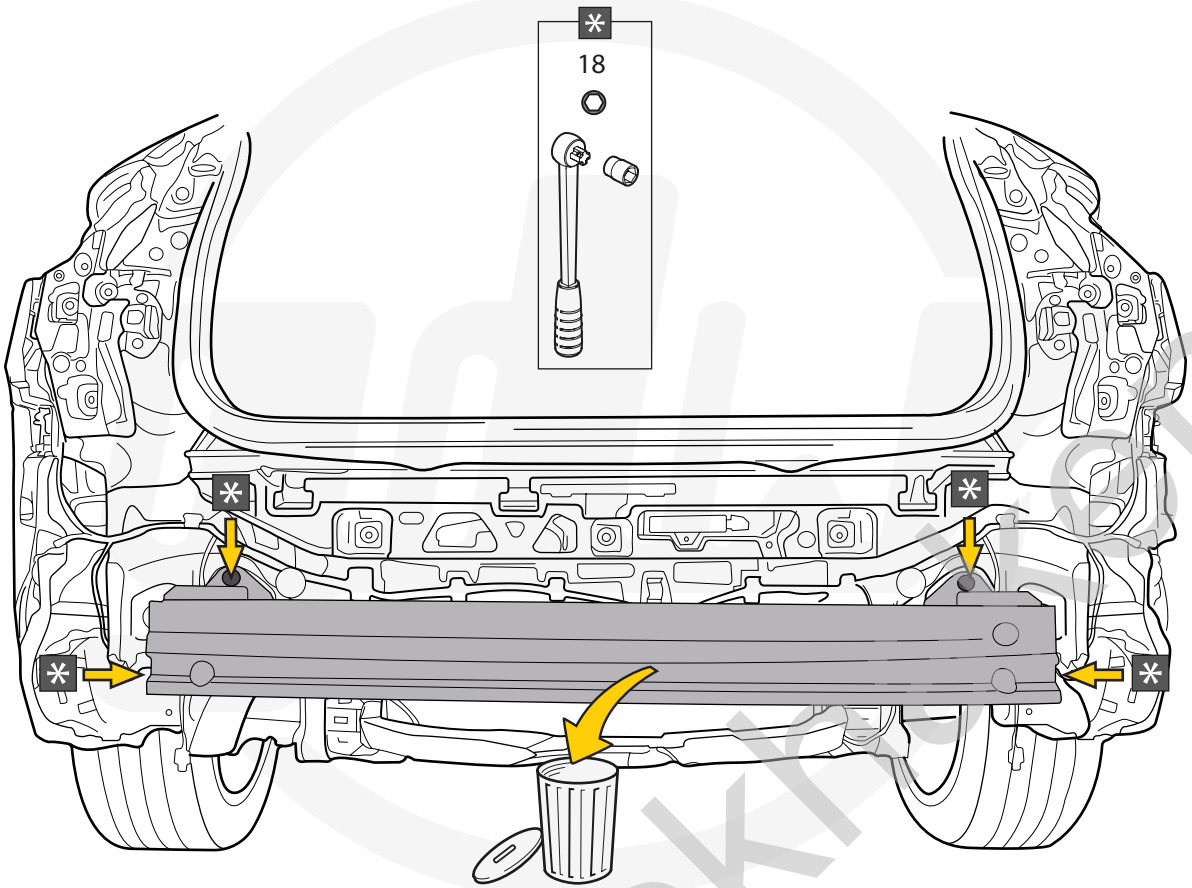


Only for IX2

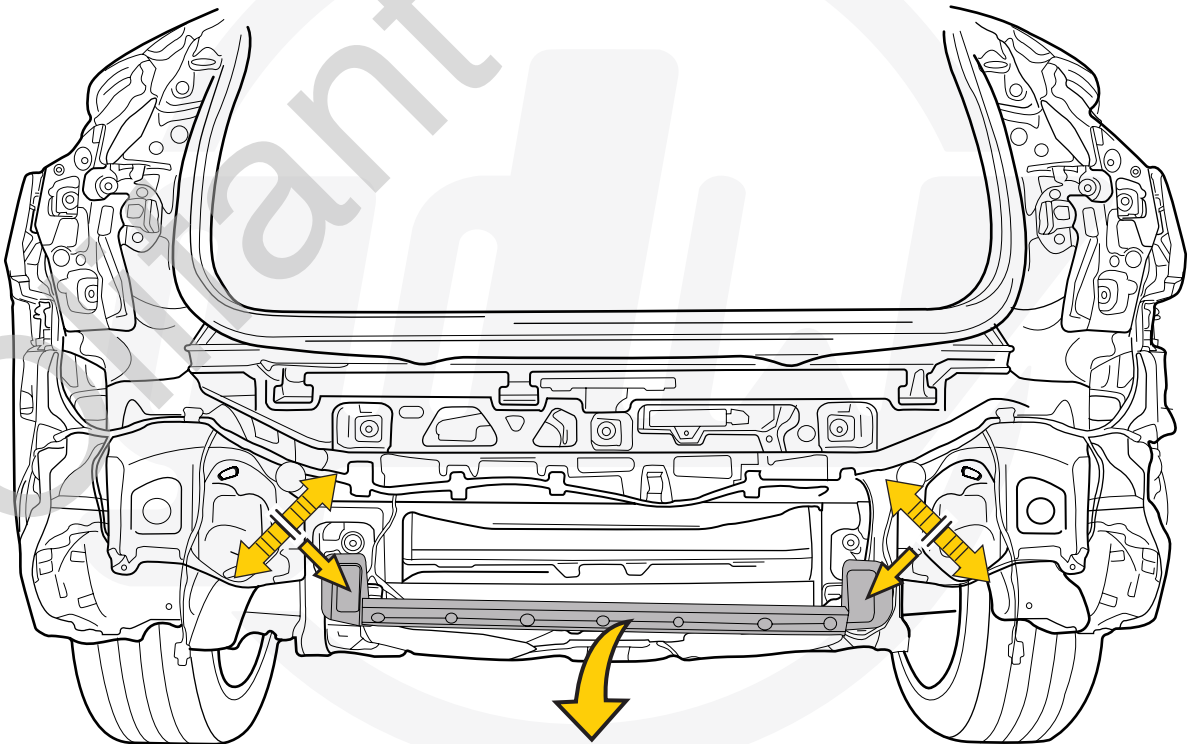


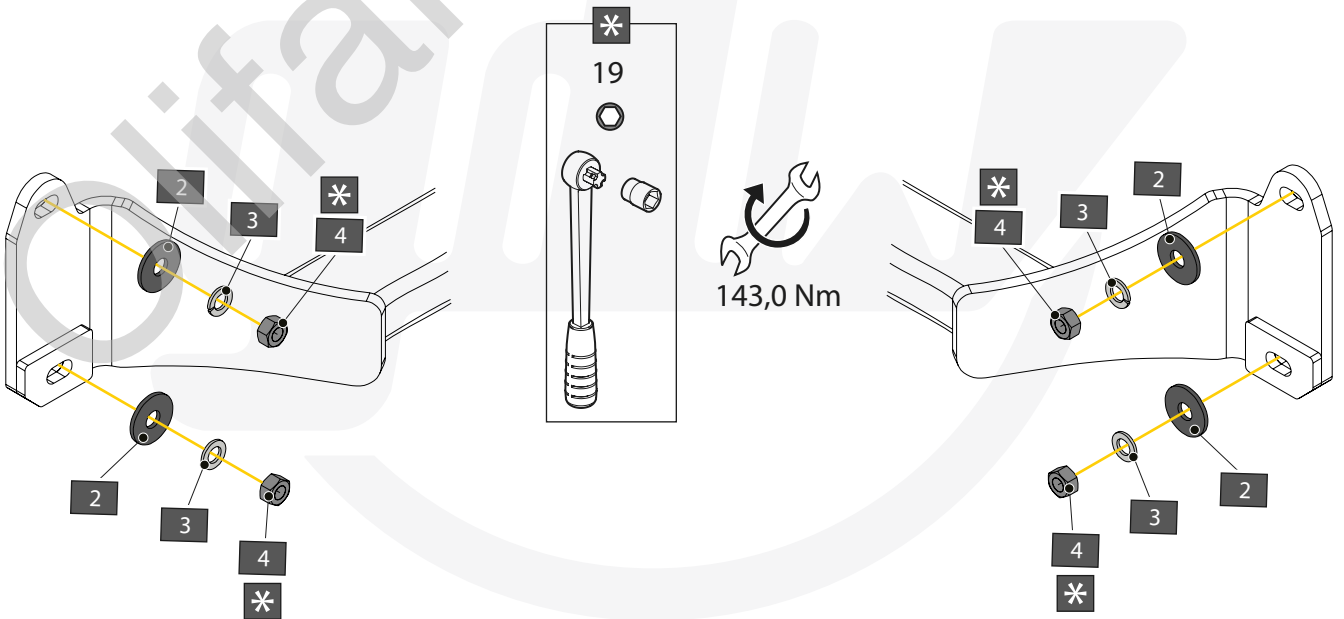
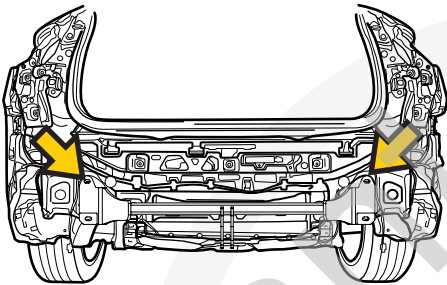
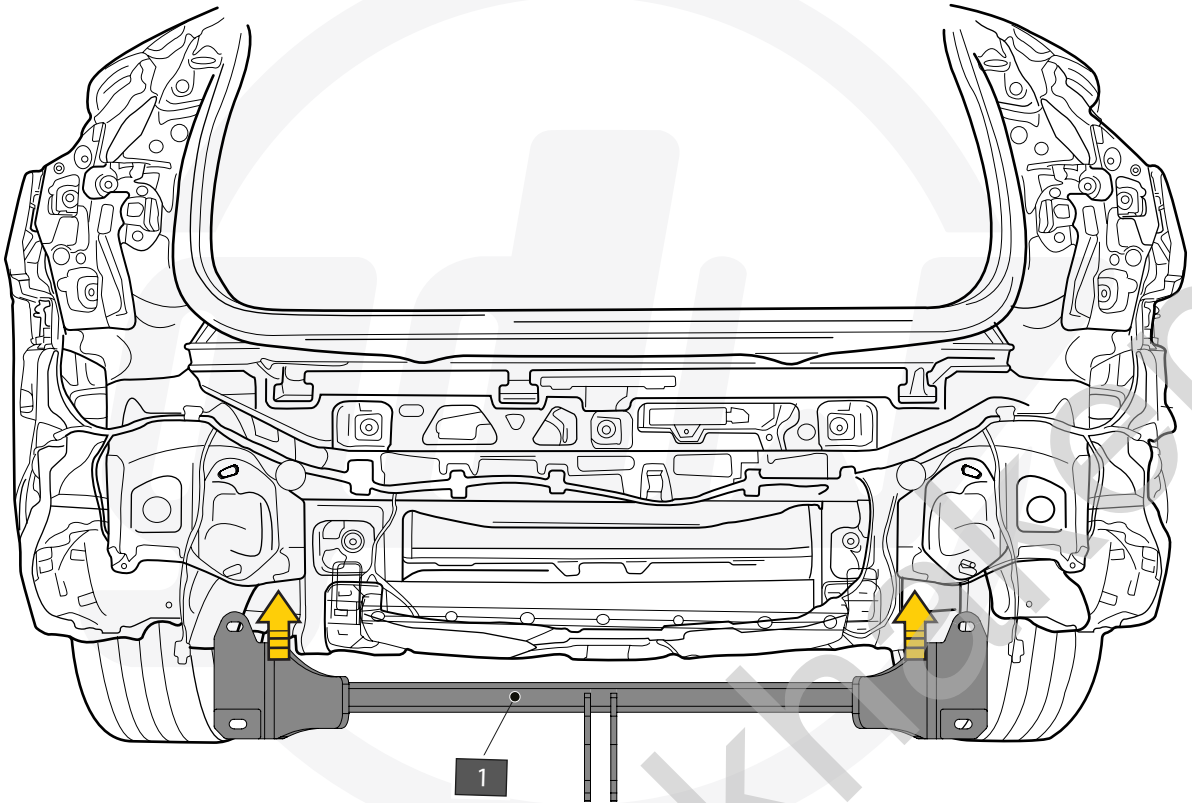
8



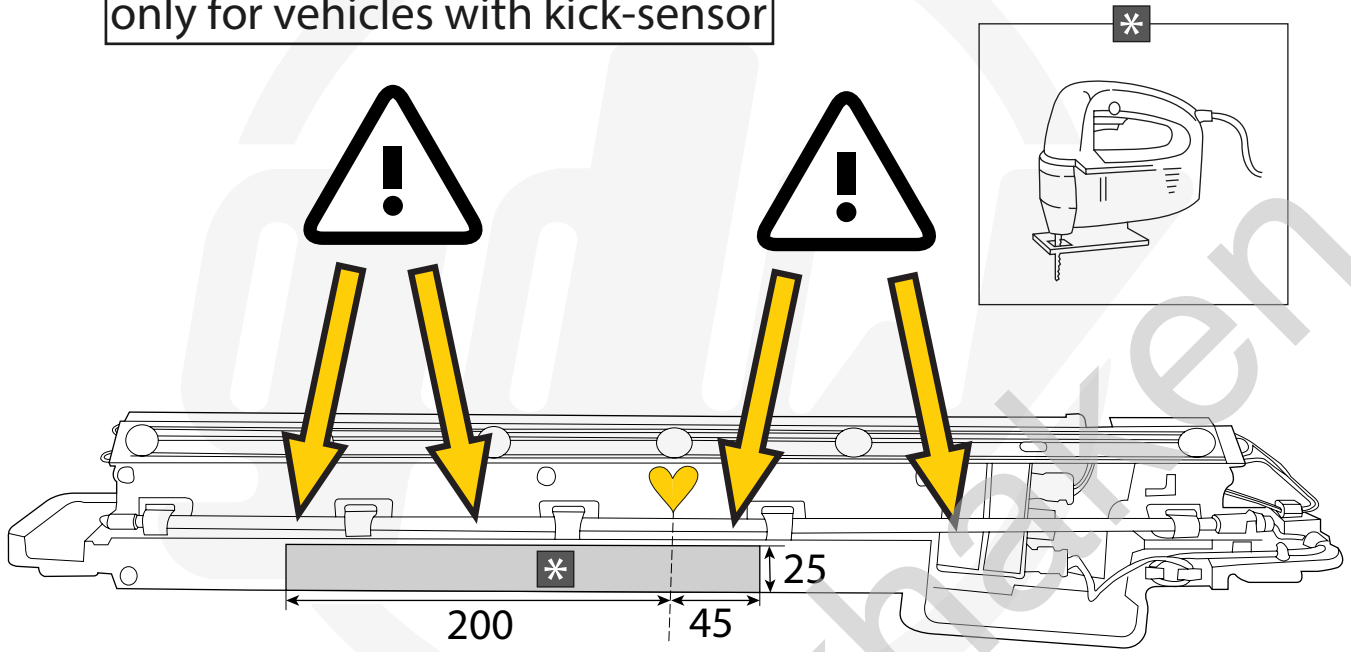


only for vehicles with kick-sensor

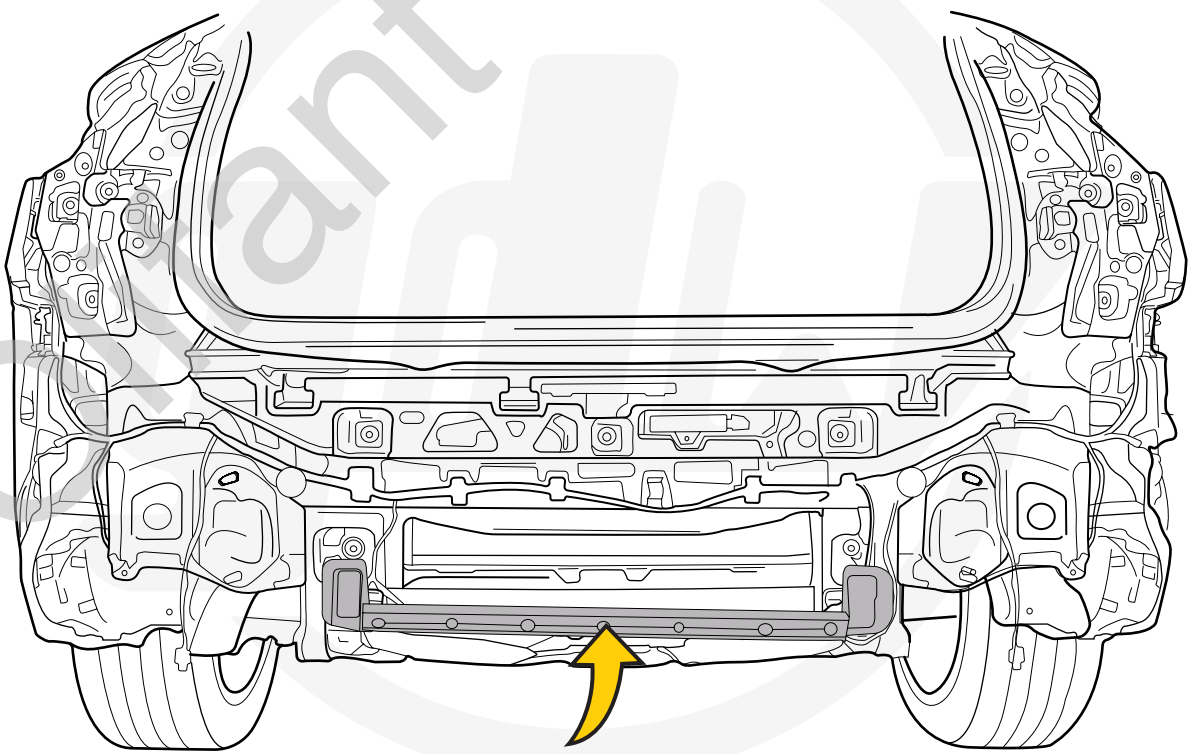




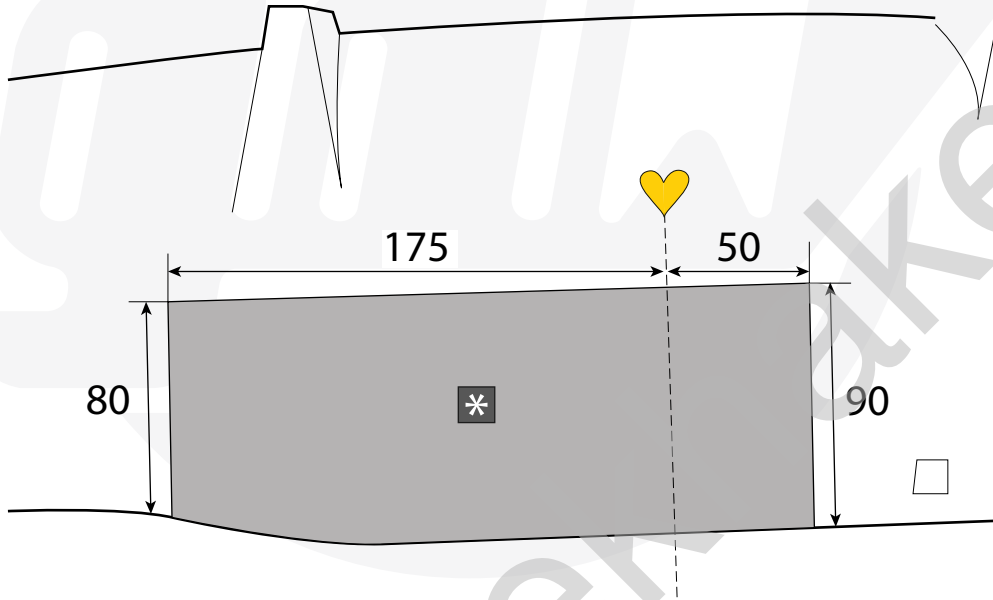
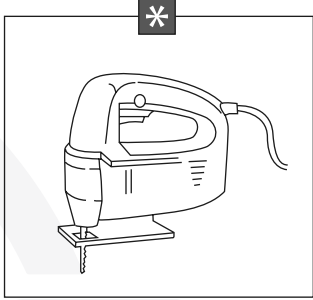
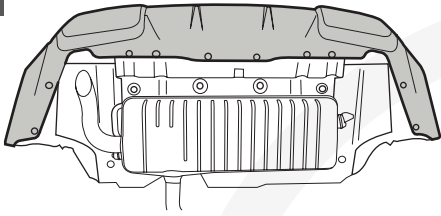
only for vehicles with kick-sensor



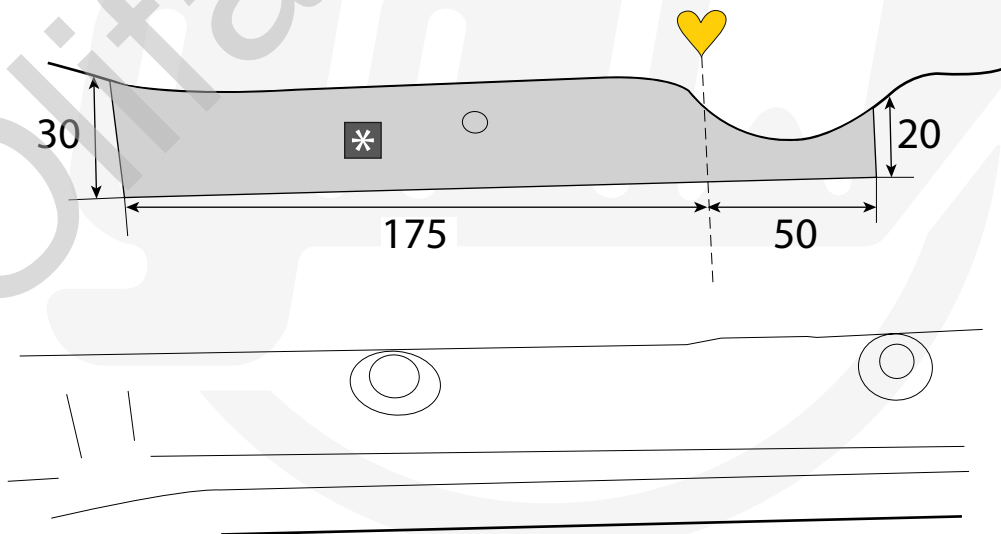
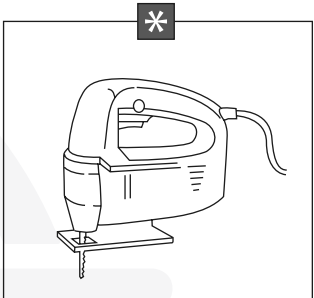
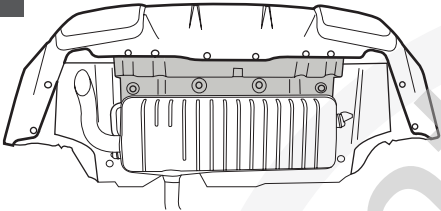
only for vehicles with kick-sensor

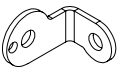




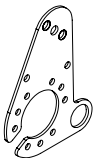
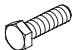


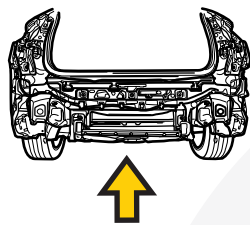
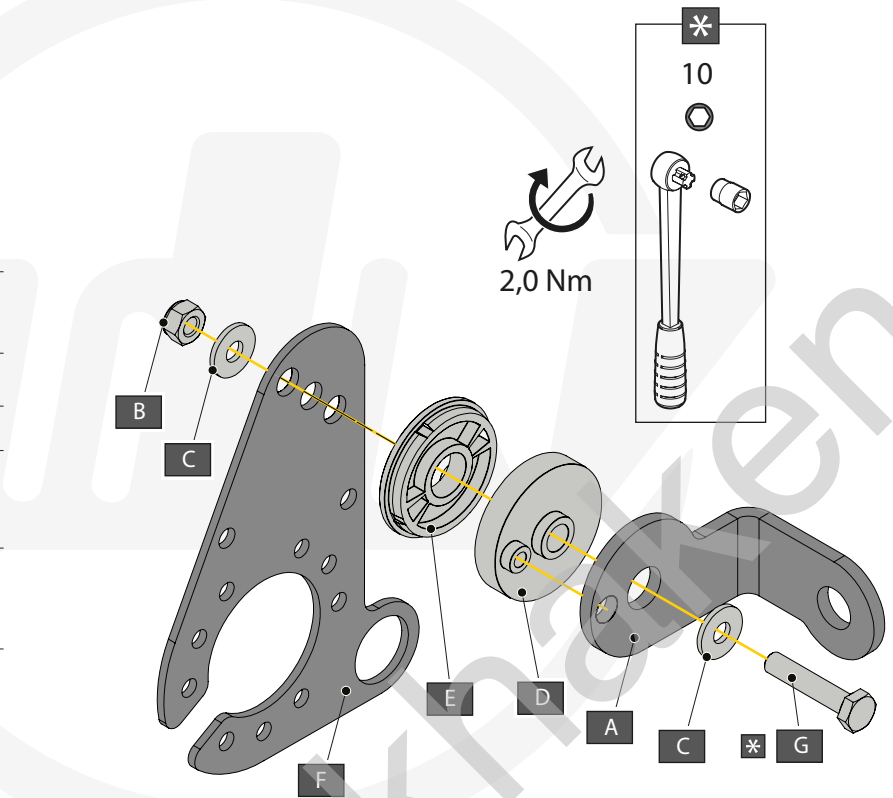
15

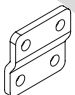

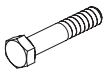
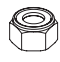



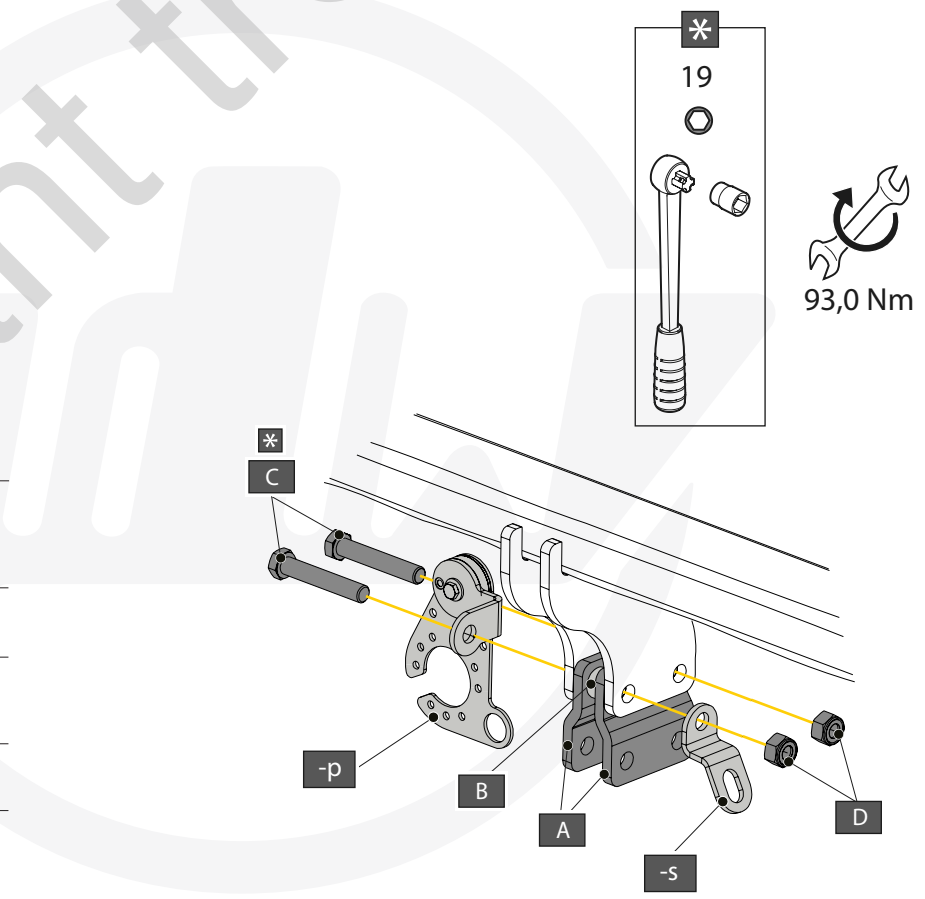
16

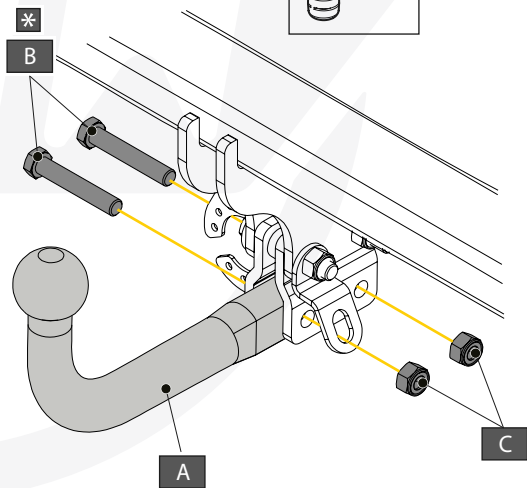
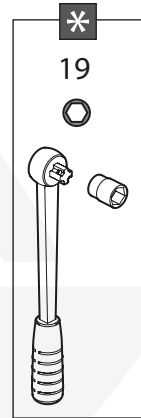
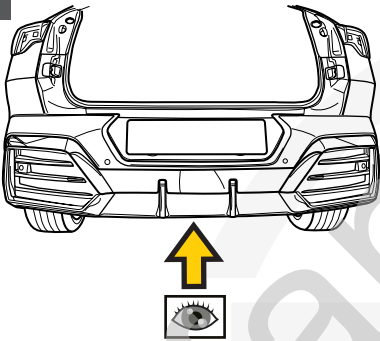
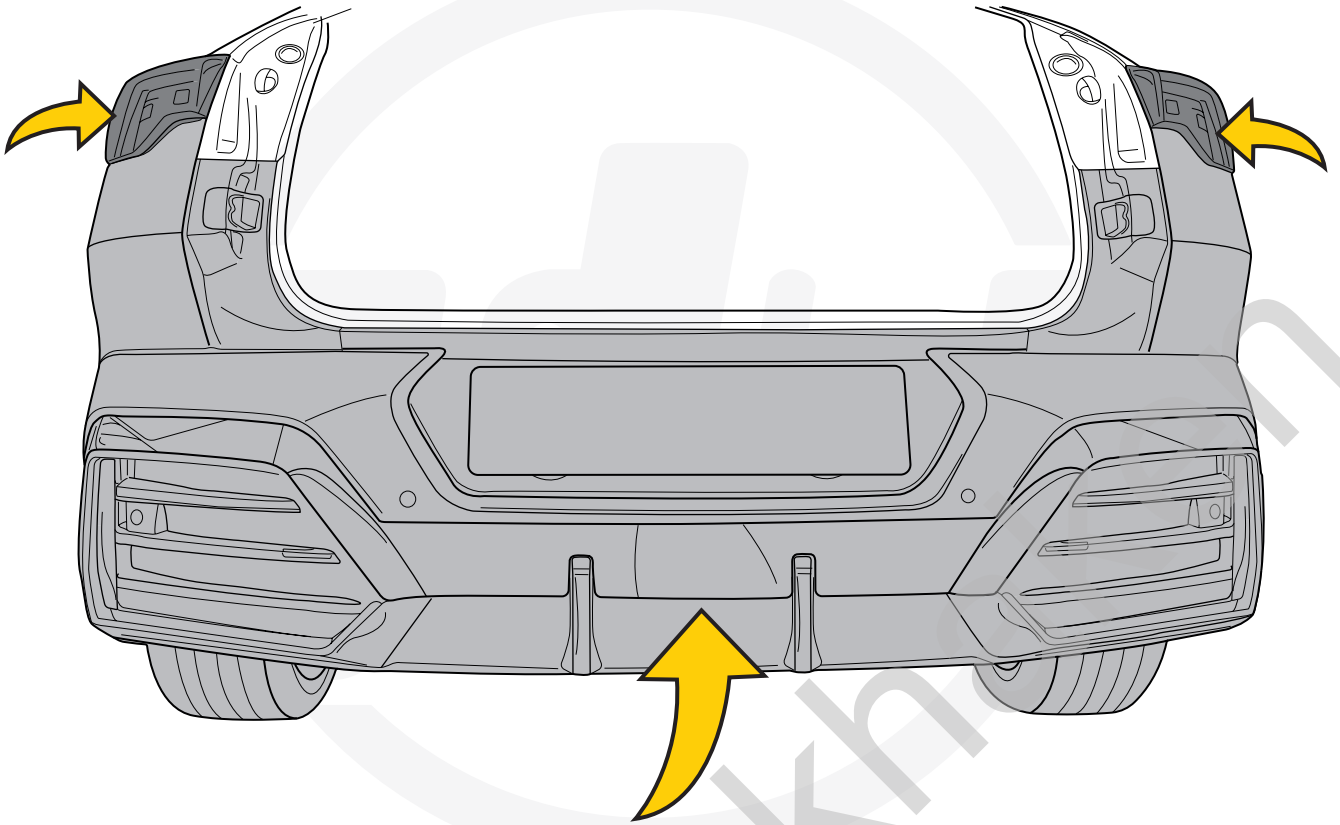


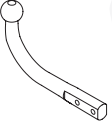
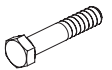

A		X1	GDW REF. 908.095
B		X1	DIN985-M6
C		X2	6,2 X 15,4 X 1,6 (NYLON)
D		X1	GDW REF. 718.16.002
E		X1	GDW REF. 718.16.003
F		X1	GDW REF. 908.094
G		X1	DIN933-M6 X 30



A		X2	GDW REF. 900.008
B		X2	GDW REF. 900.011 Ø 21,3 X 11,7
C		X2	DIN931-M12 X 70 -10,9
D		X2	DIN985-M12 KL10.9
-S		X1	GDW REF. 900.053





- |   |   |    |                 |
|---|---|----|-----------------|
| A |  | X1 | 944.L031        |
| B |  | X2 | DIN931-M12 X 70 |
| C |  | X2 | DIN985-M12      |