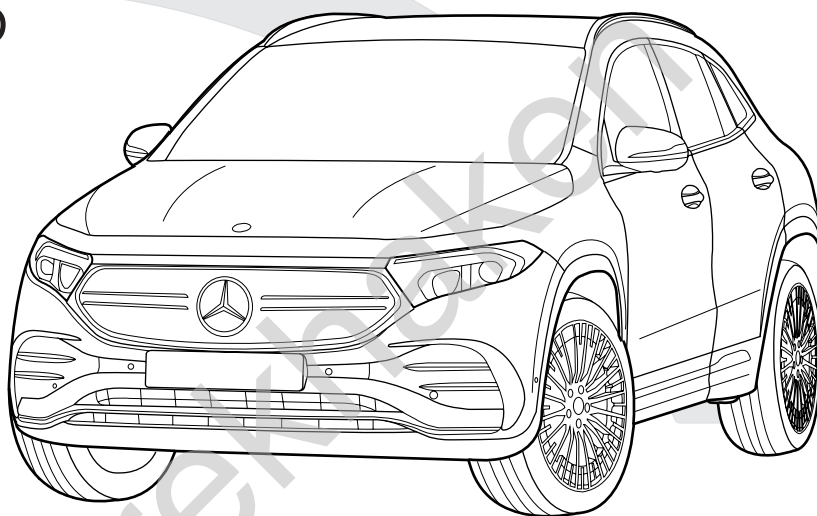




Mercedes-Benz EQA (type H243)

02/'21-

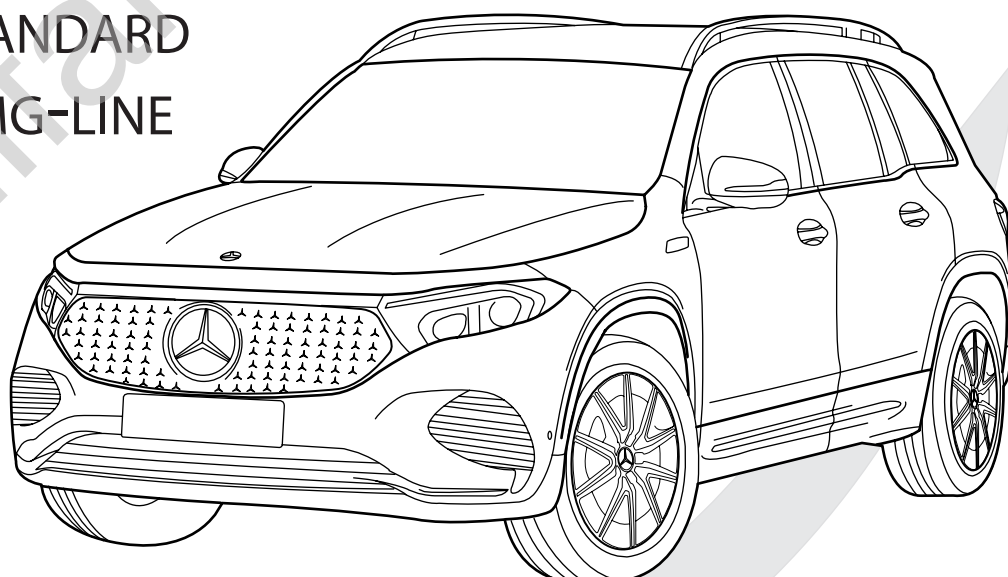
- ✓ STANDARD
- ✓ AMG-LINE

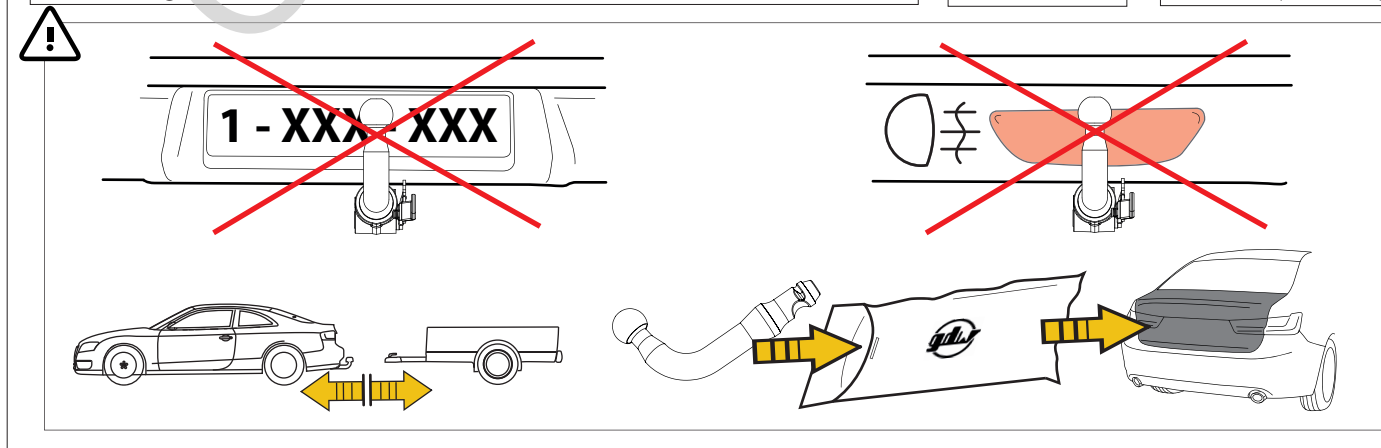
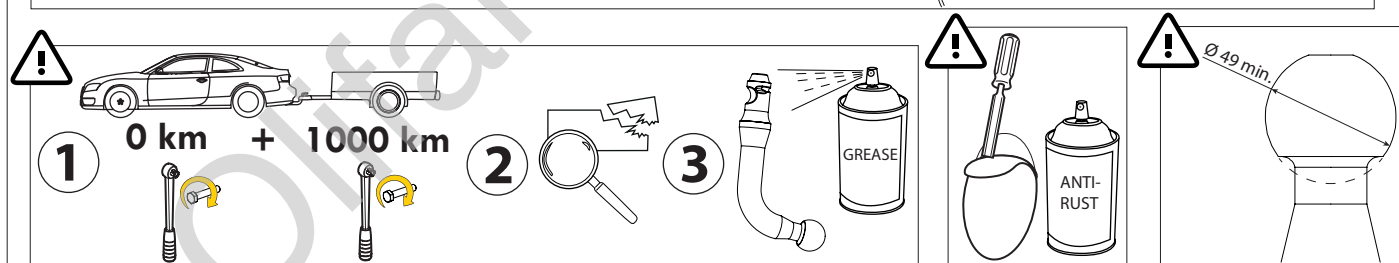
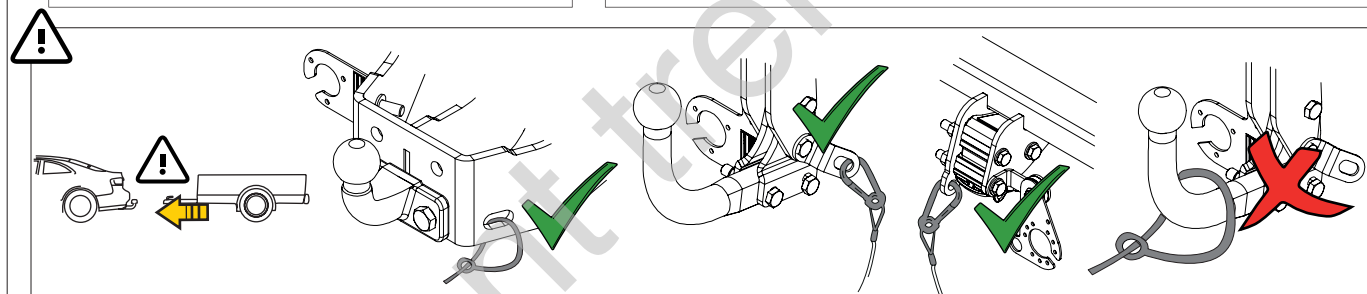
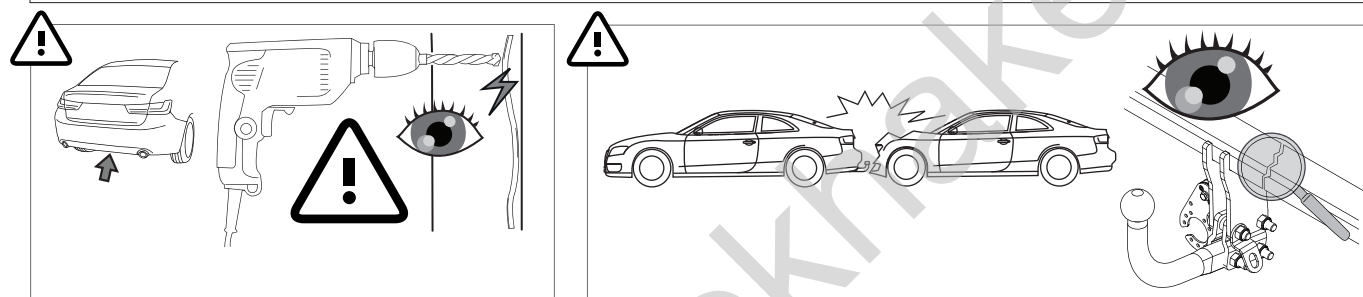
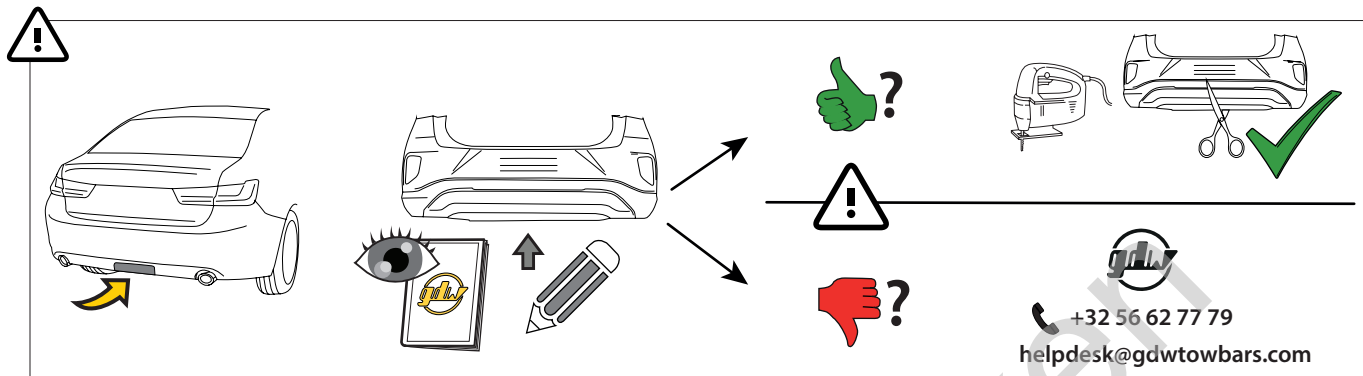
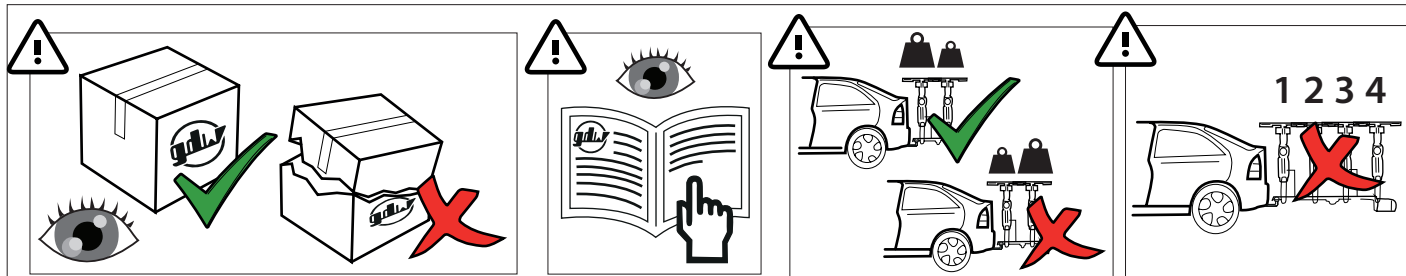




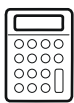
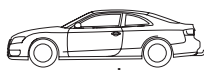
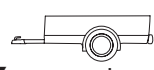
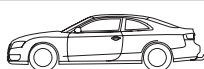
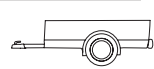

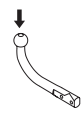
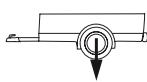
Mercedes-Benz EQB (type X243)

04/'24-

- ✓ STANDARD
- ✓ AMG-LINE

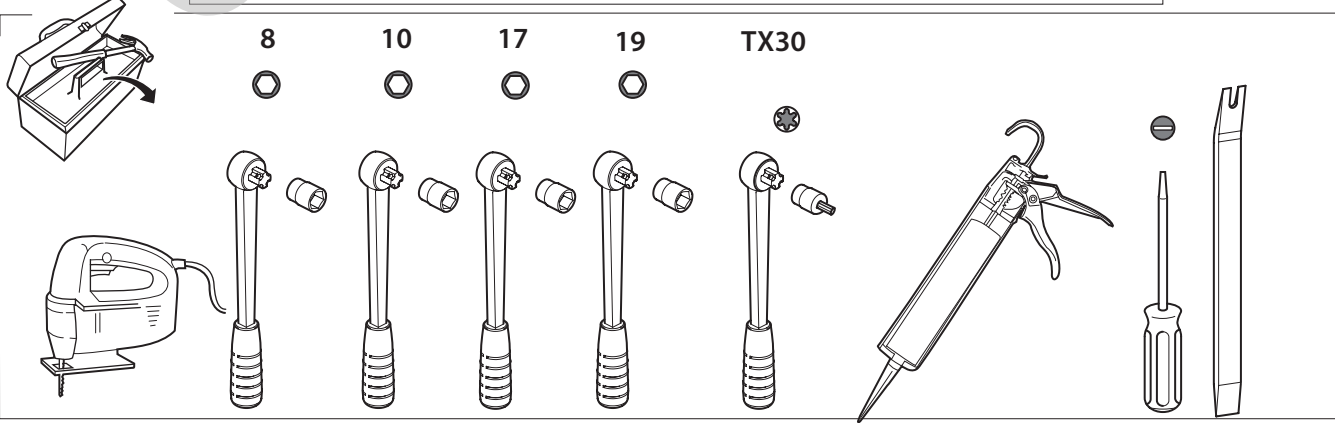
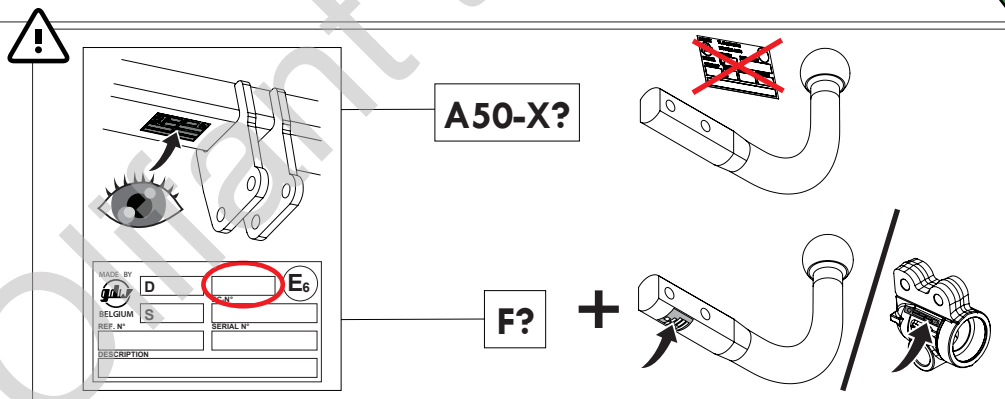
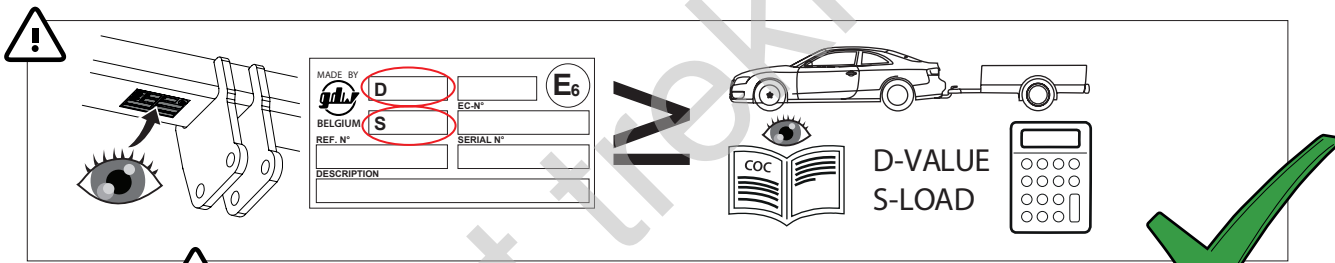
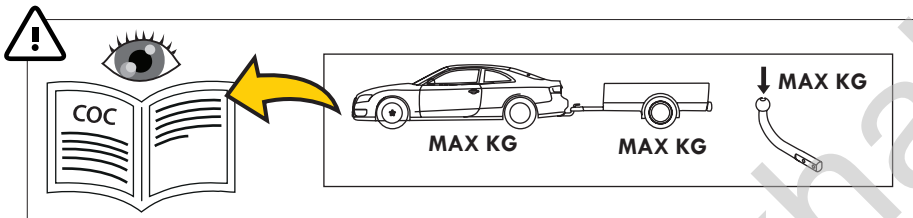


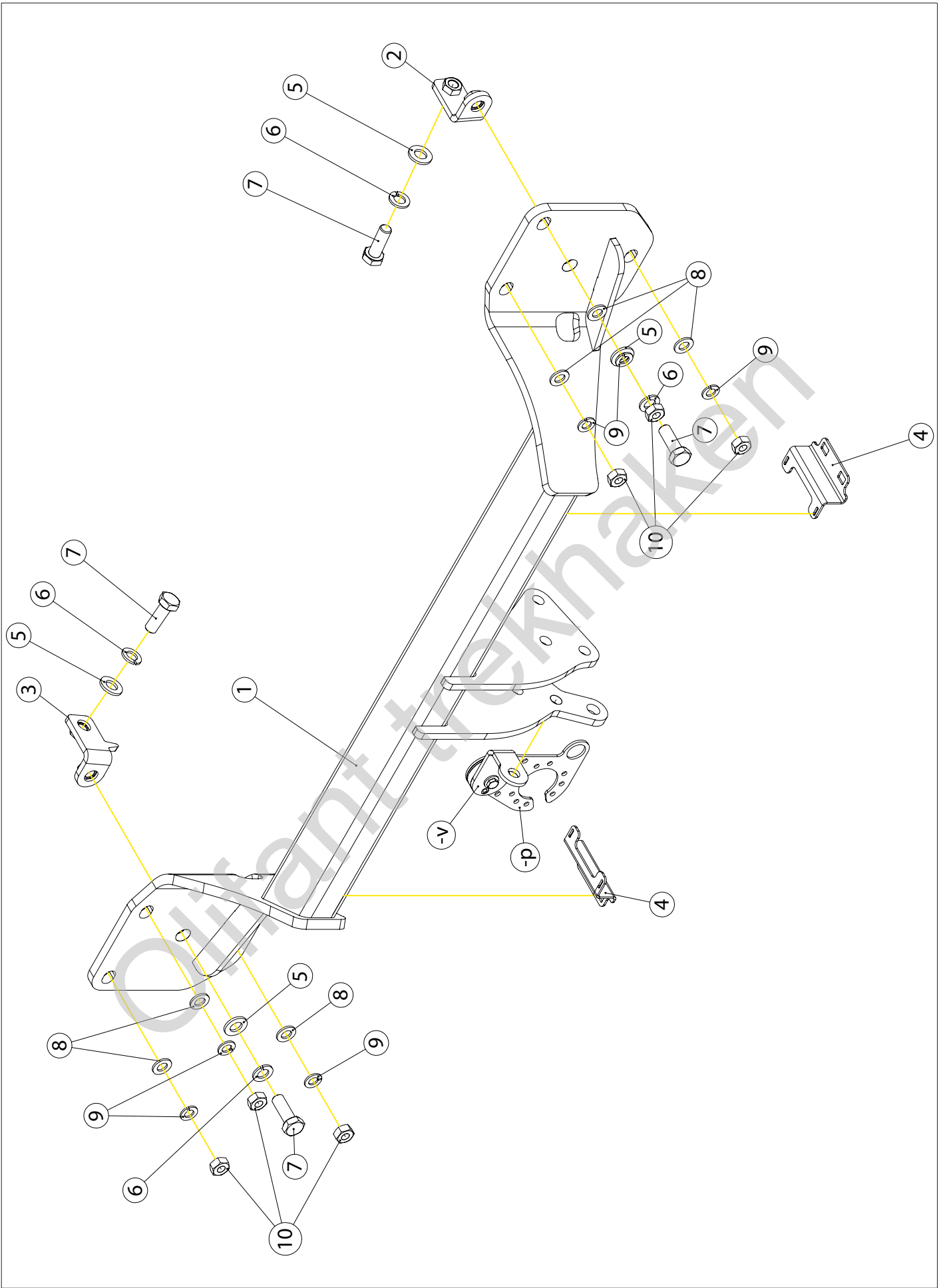


MADE BY 	D 11,00	F	E6	 	 max kg	X	 max kg	$\times 0.00981 \leq 11,00 \text{ kN}$
BELGIUM	S 100	55R-02 1816	EC-N°		 max kg	+	 max kg	
REF N°	2799T60	SERIAL N°	XXXX	 S =	 ≤ 100 kg		 ≤ 1800 kg	
DESCRIPTION	Mercedes-Benz EQA 02/'21-, EQB 04/'24-							

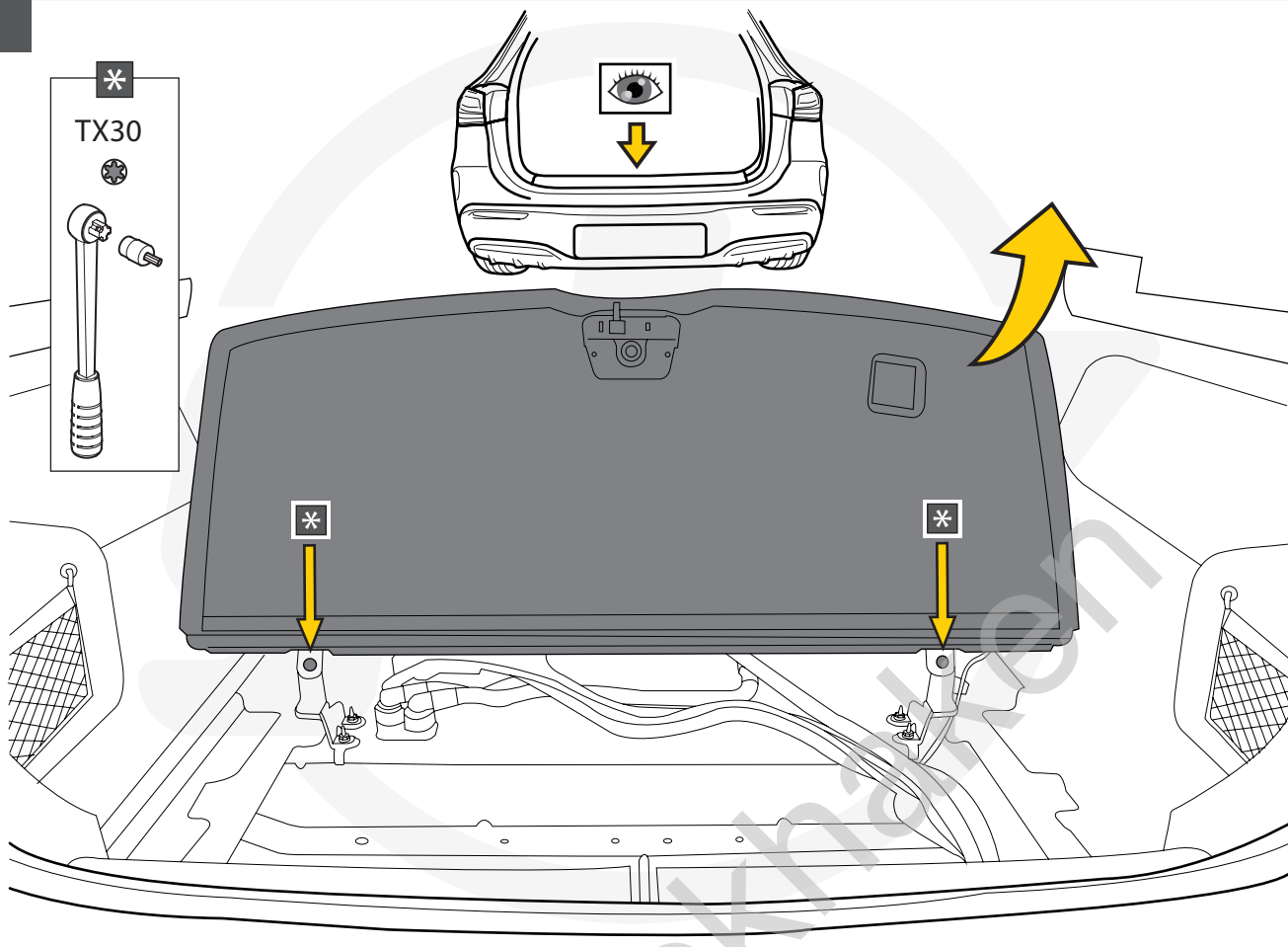
 See the Certificate Of Conformity (COC) of your vehicle or contact your dealer to verify the max. trailer weight of your car!

 See the user manual of the vehicle for correct use of bicycle carriers!

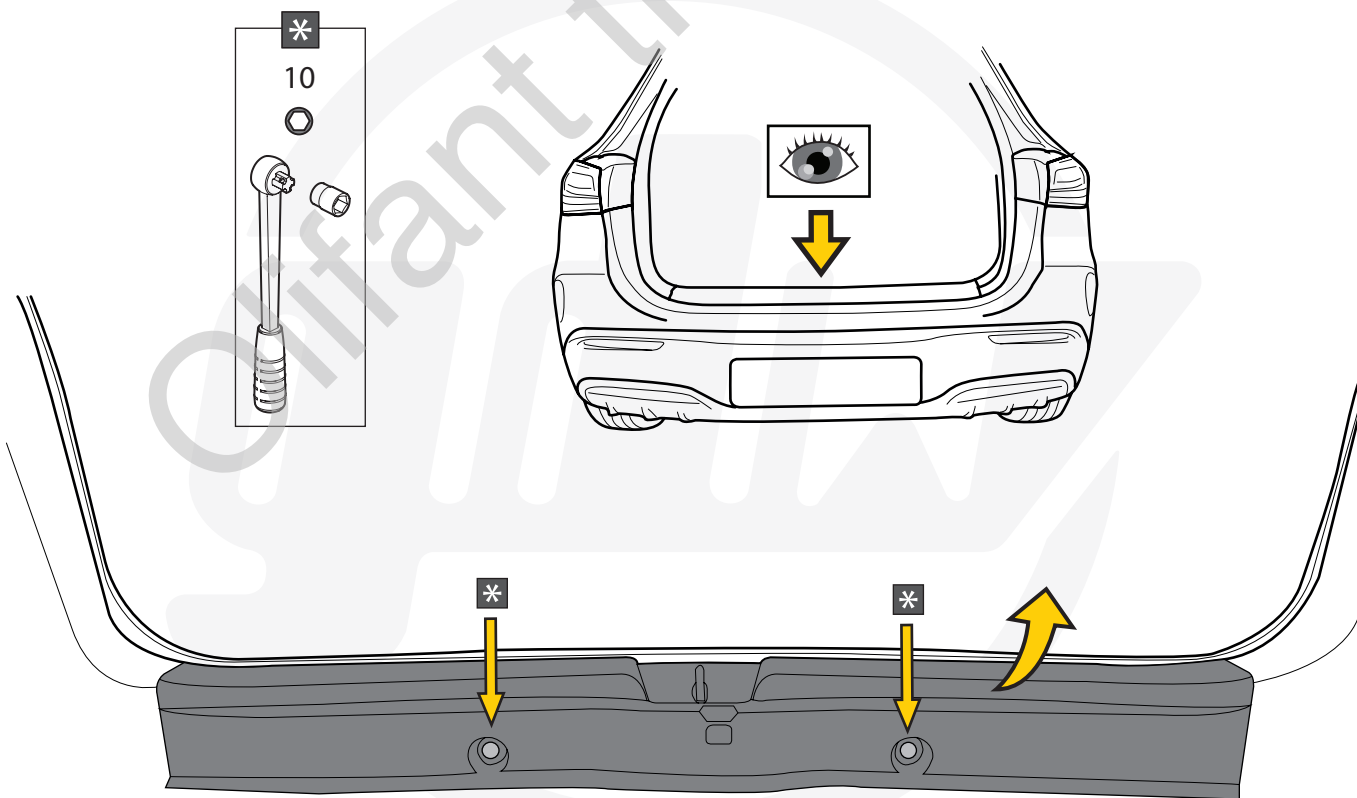




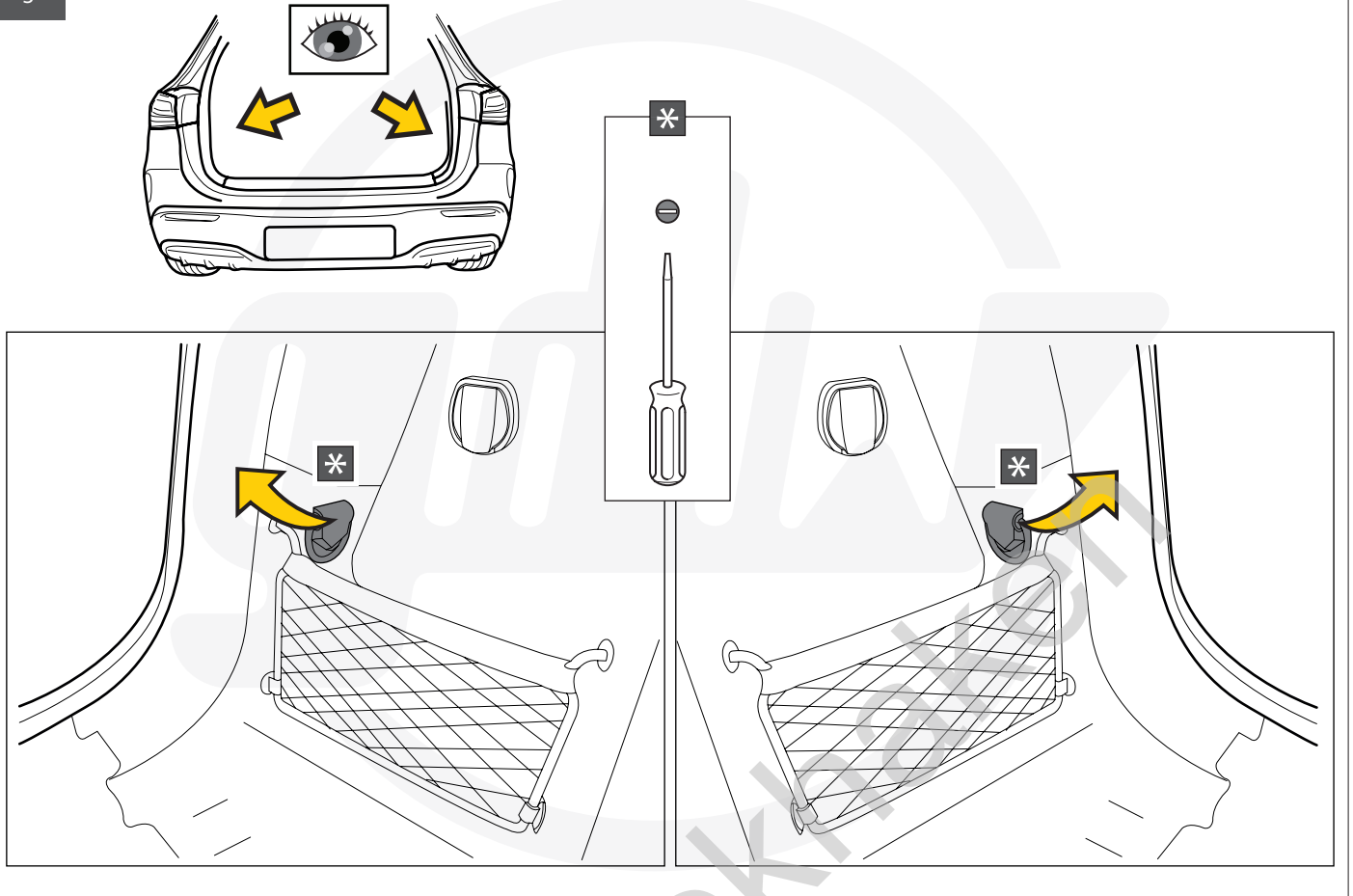
1



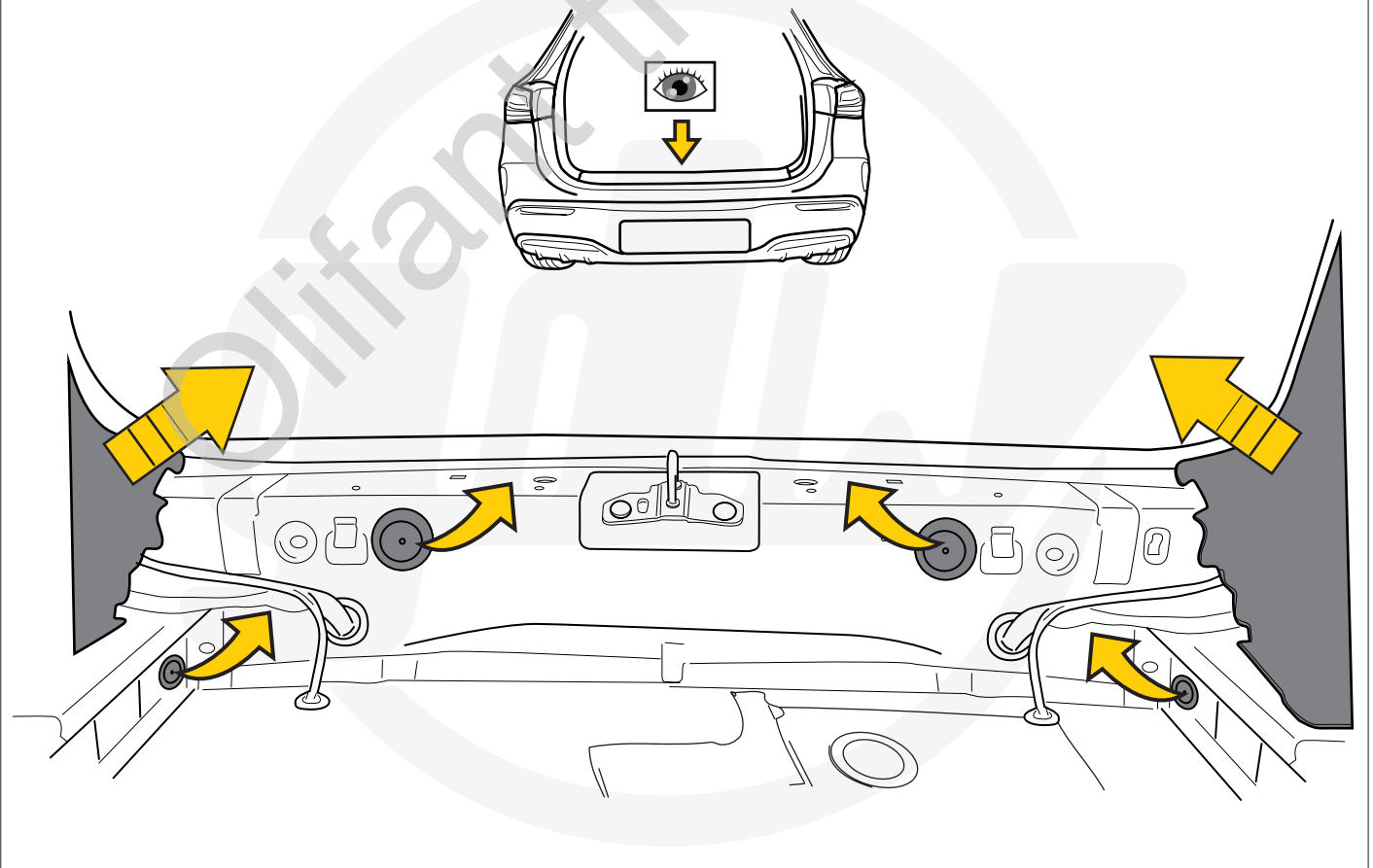
2



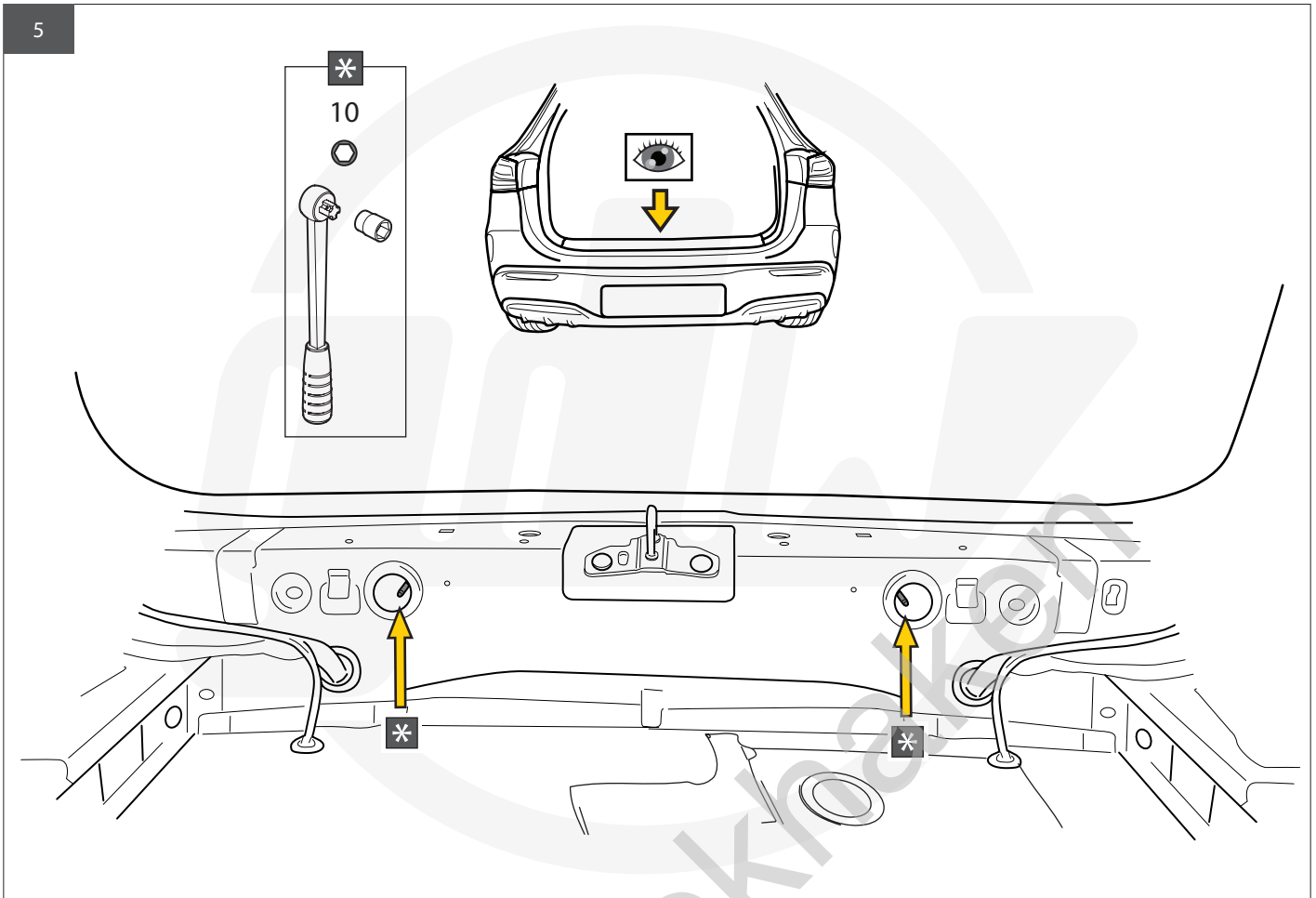
3



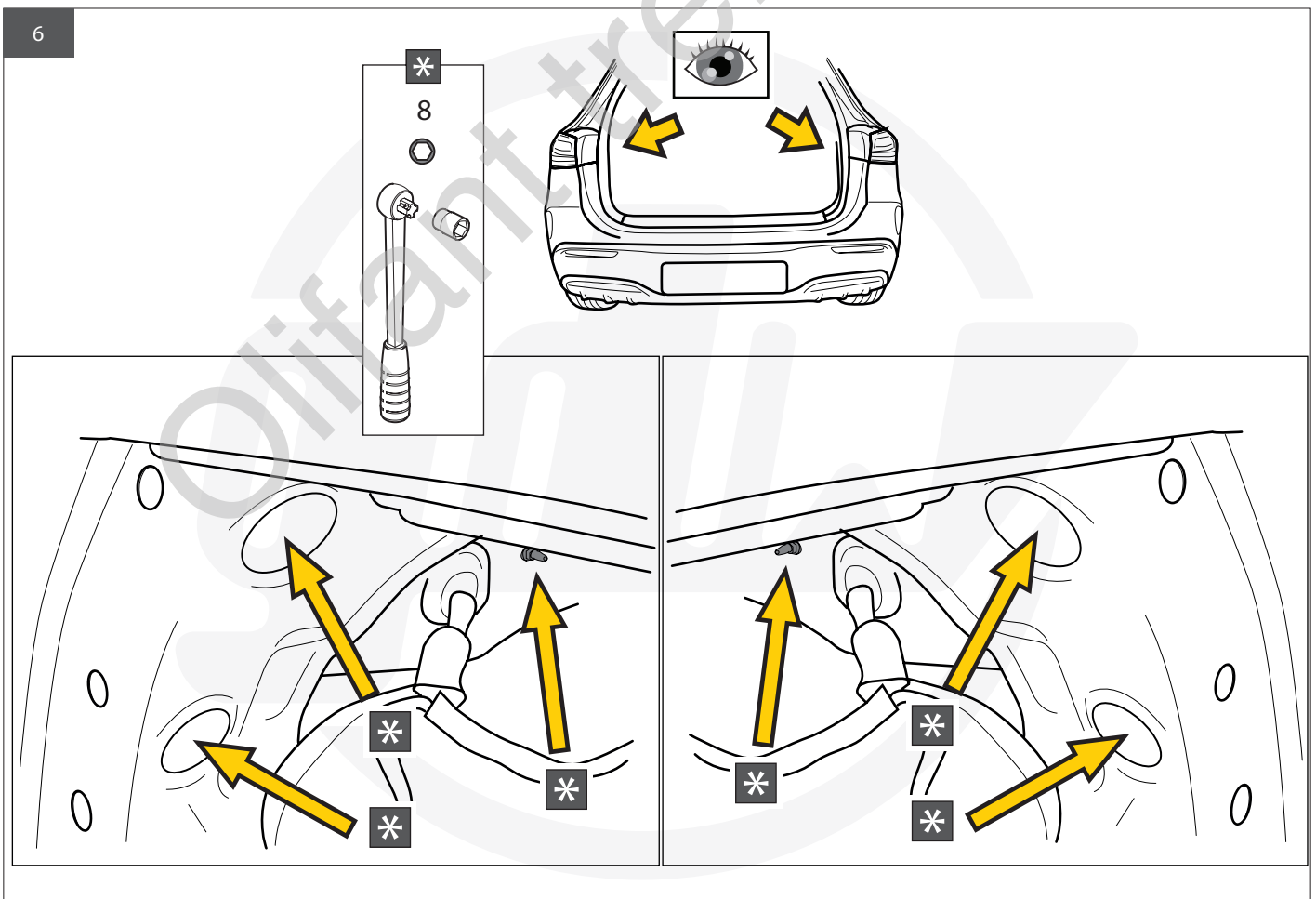
4



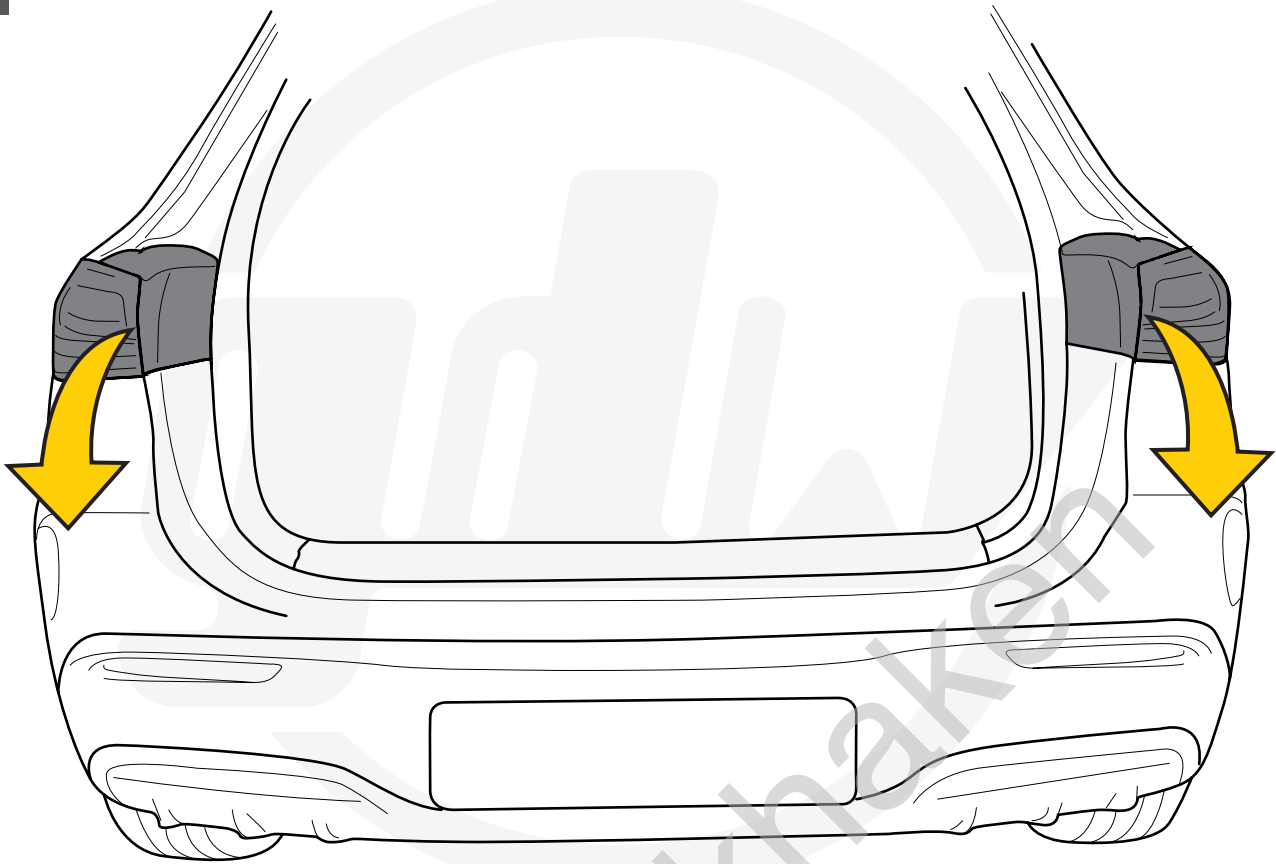
5



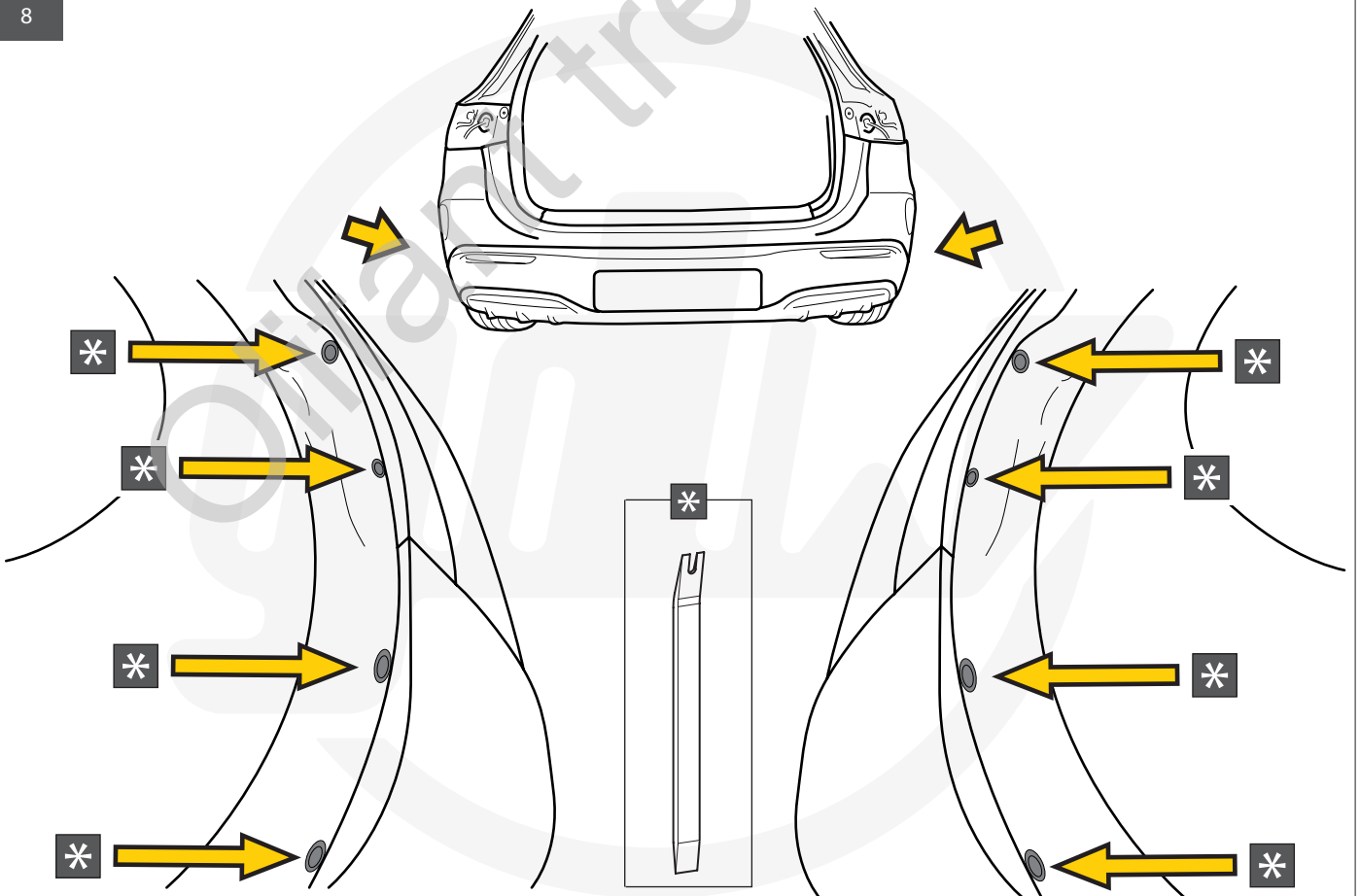
6

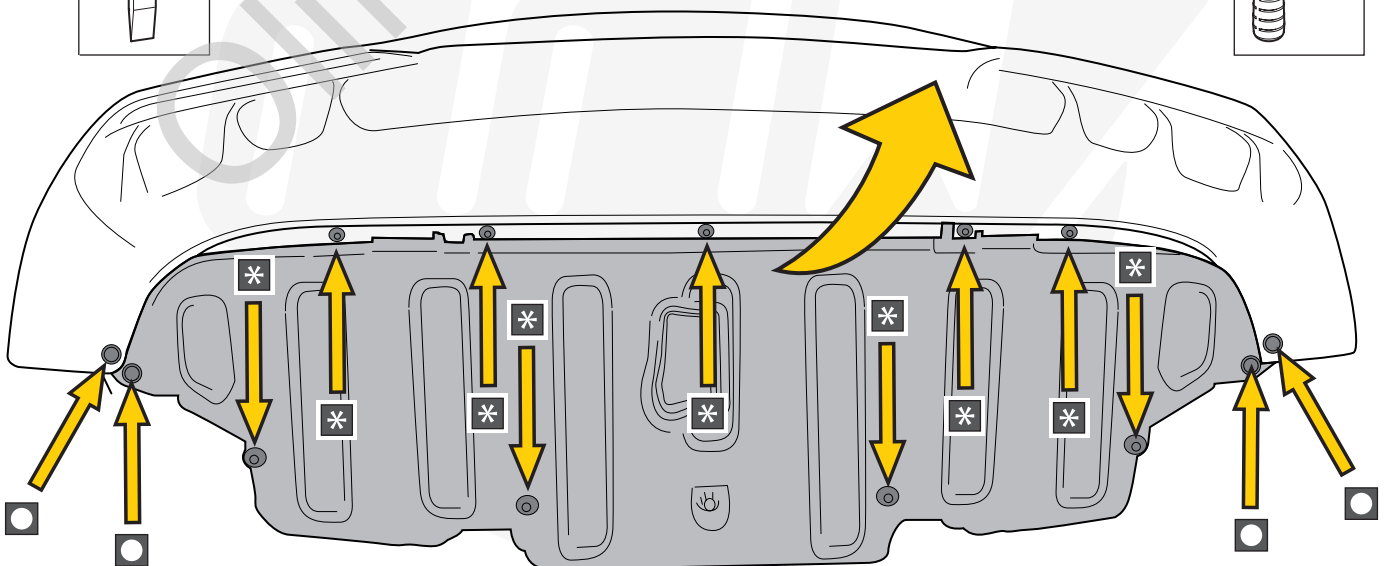
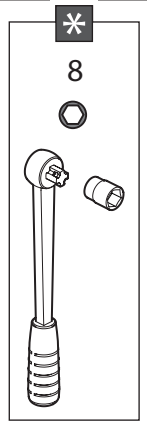
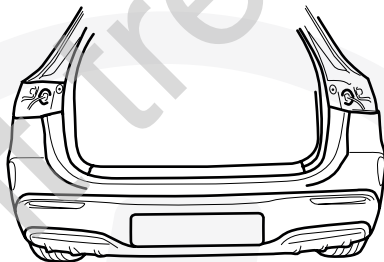
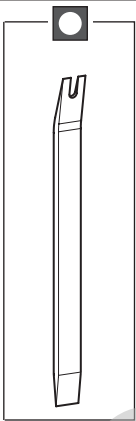
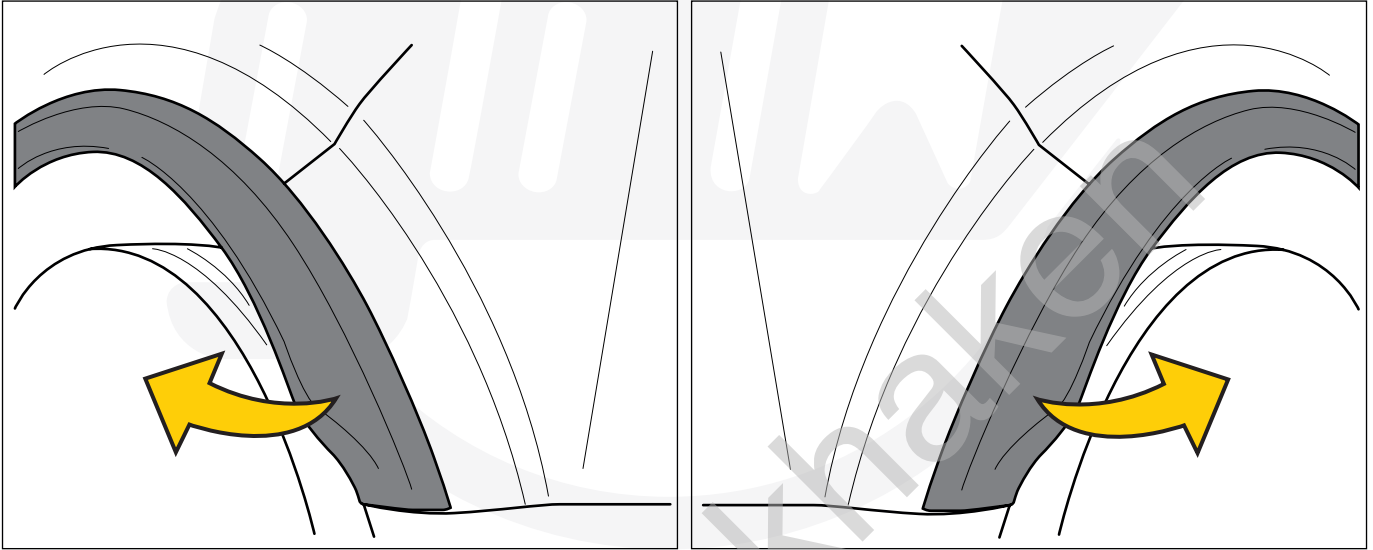
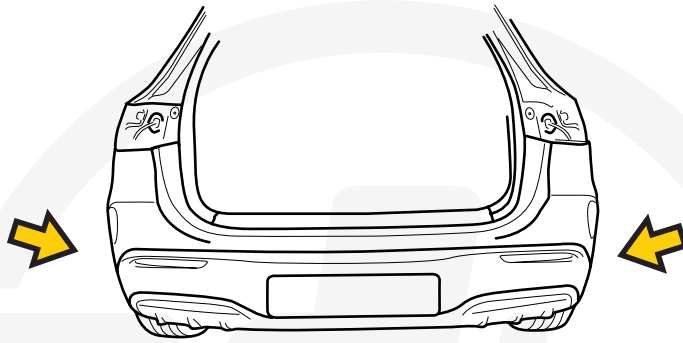


7

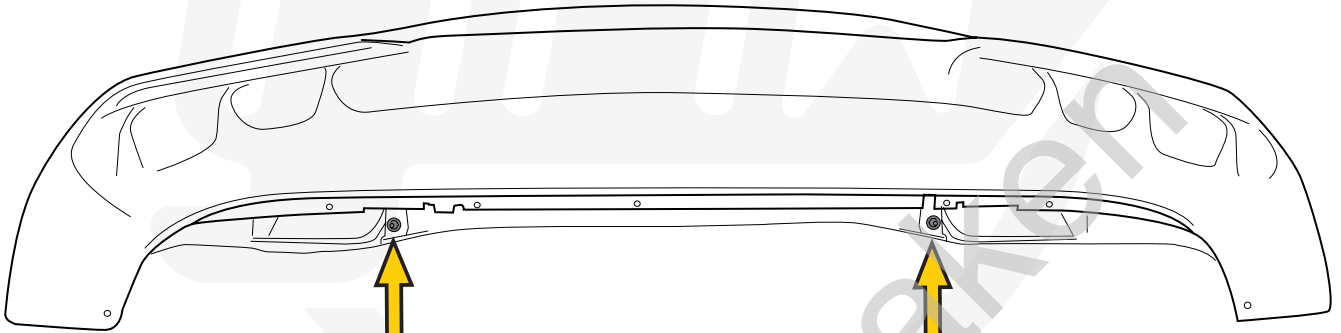
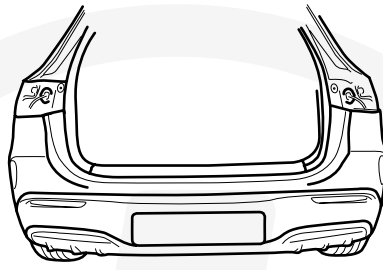
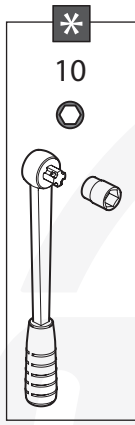


8

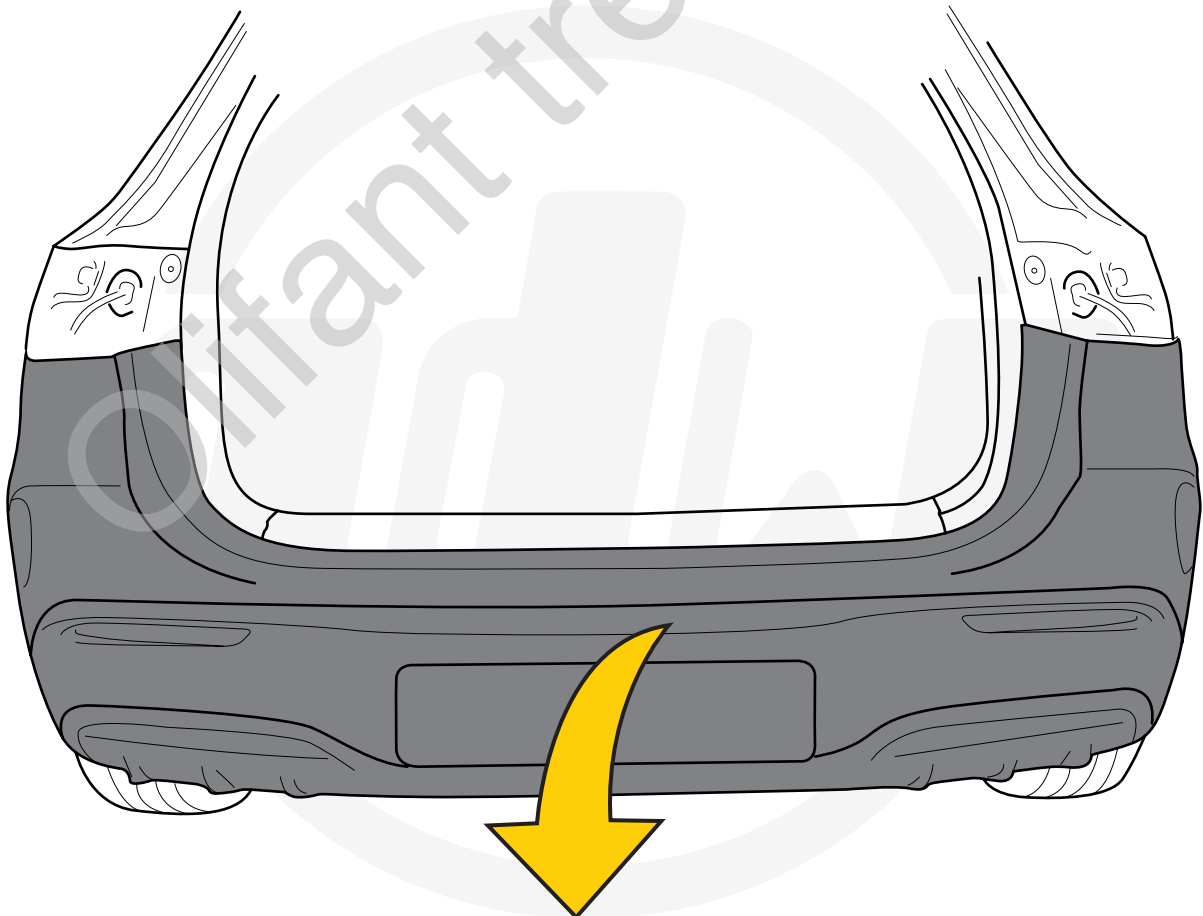




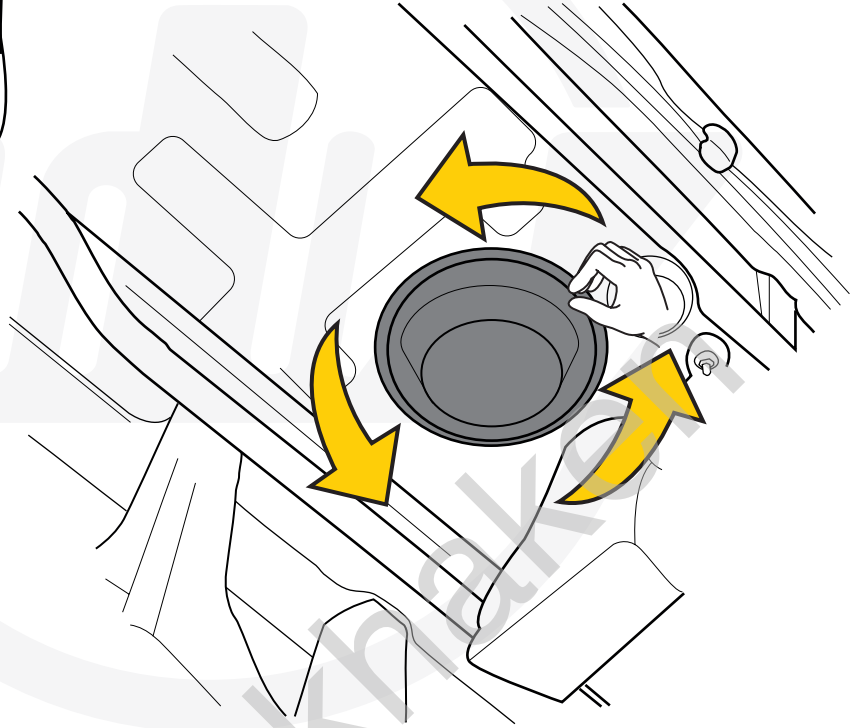
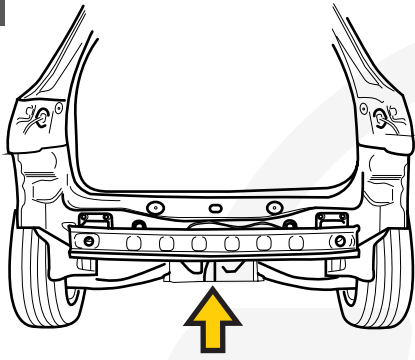
11



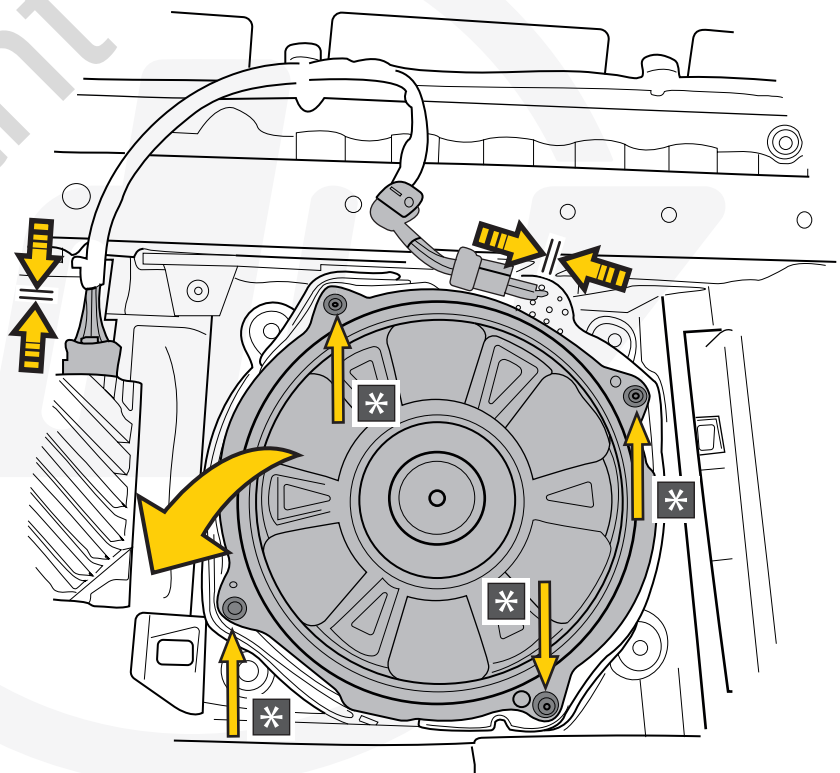
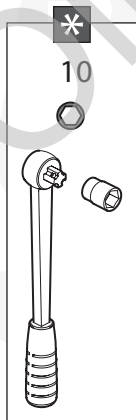
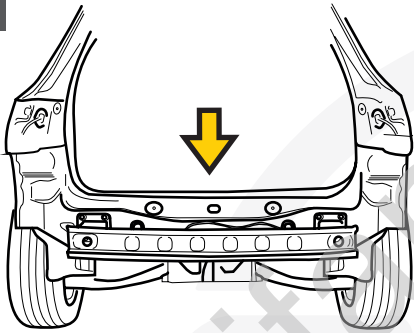
12



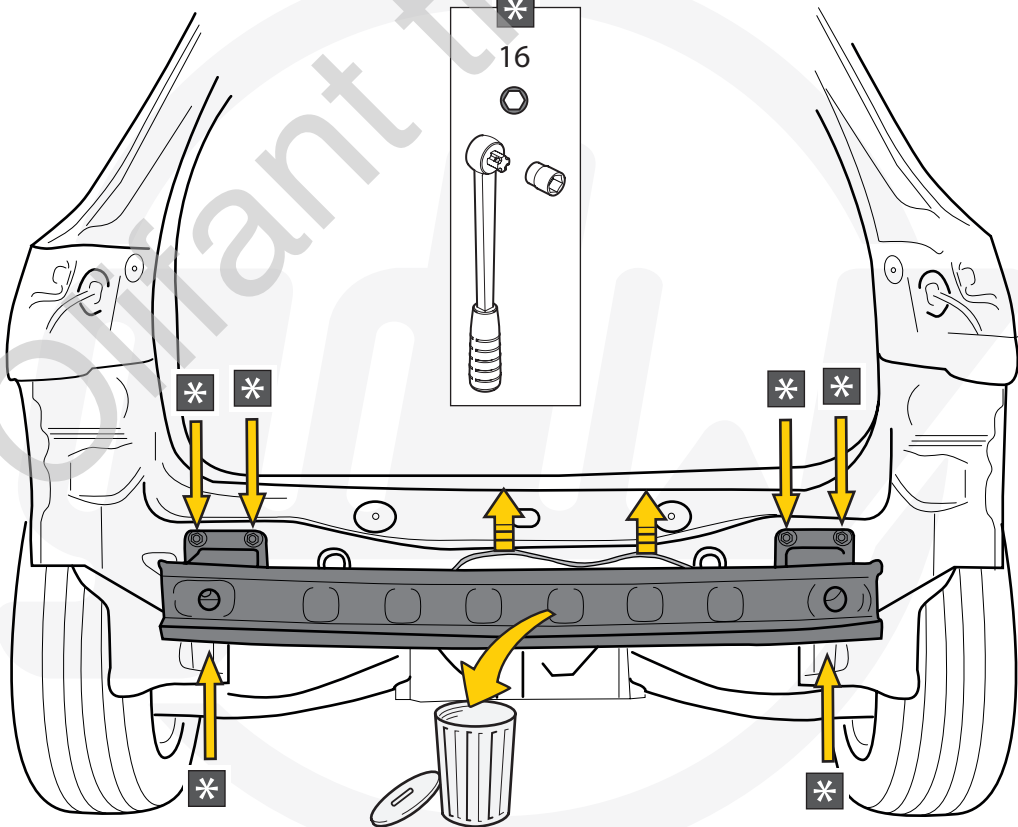
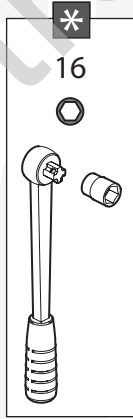
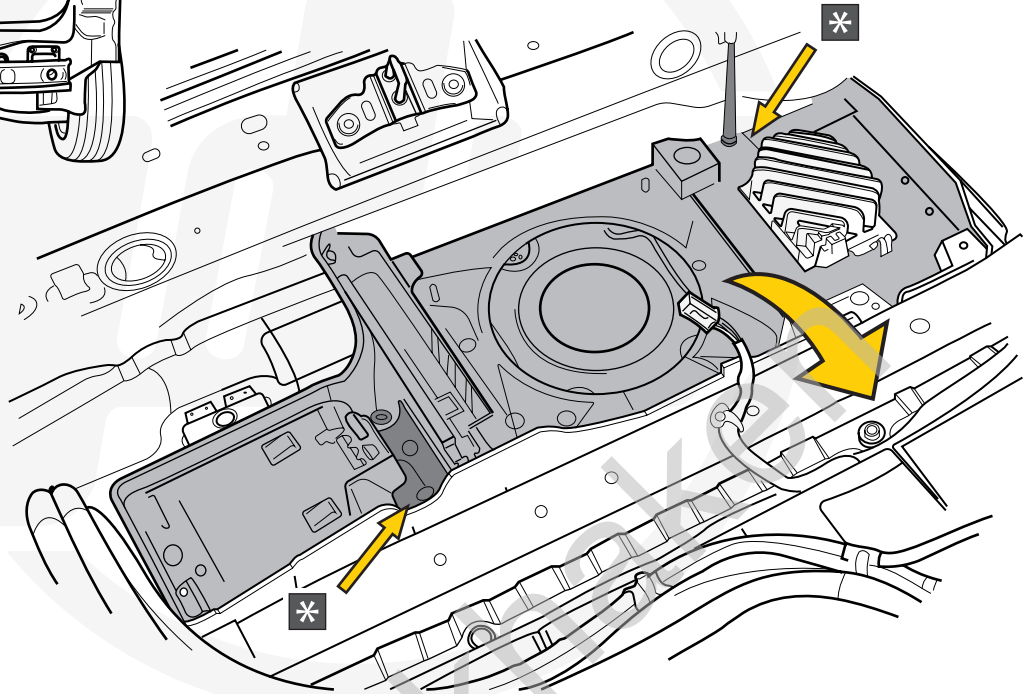
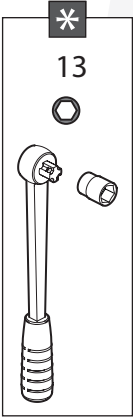
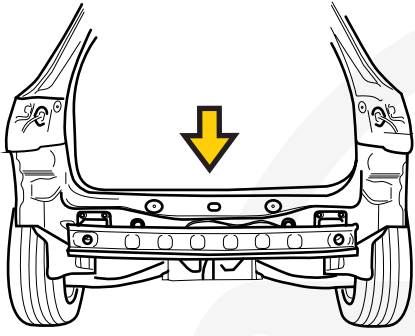
OPTIONAL

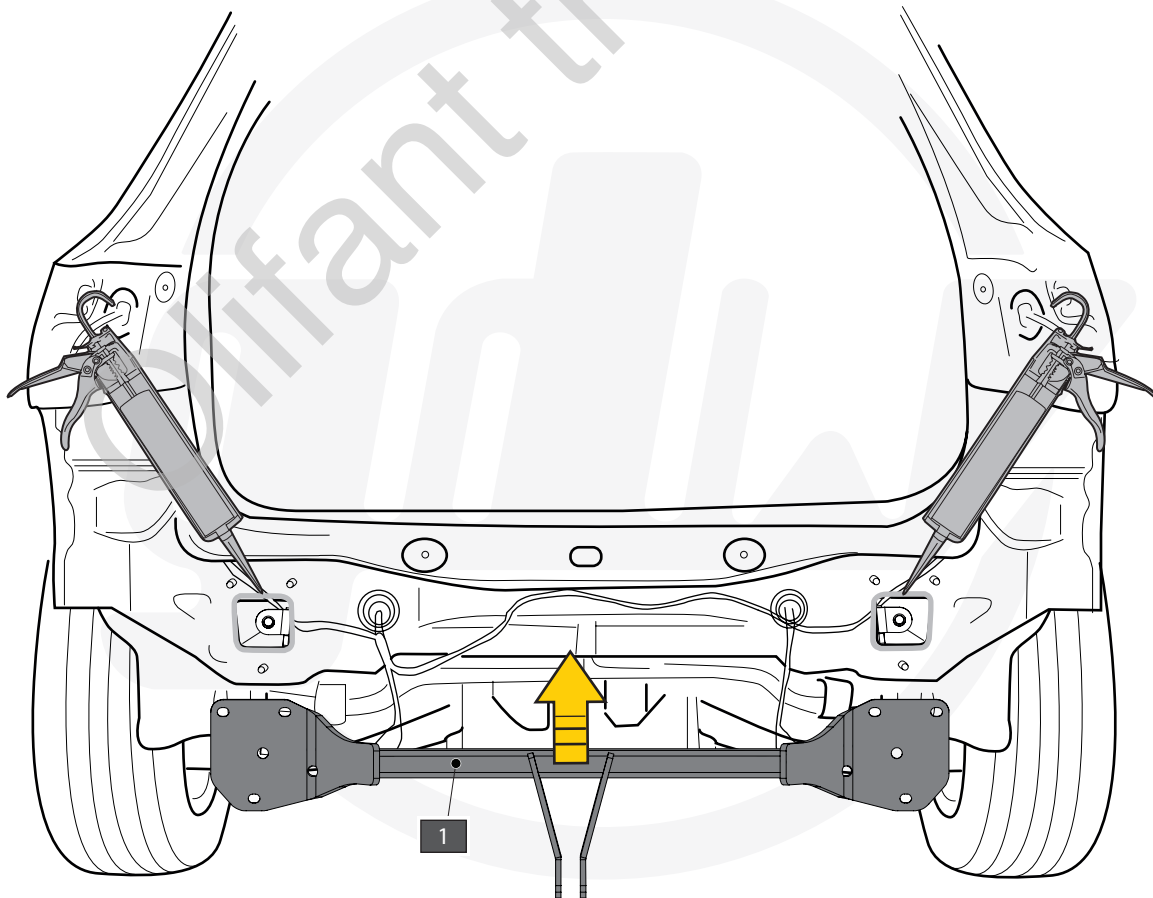
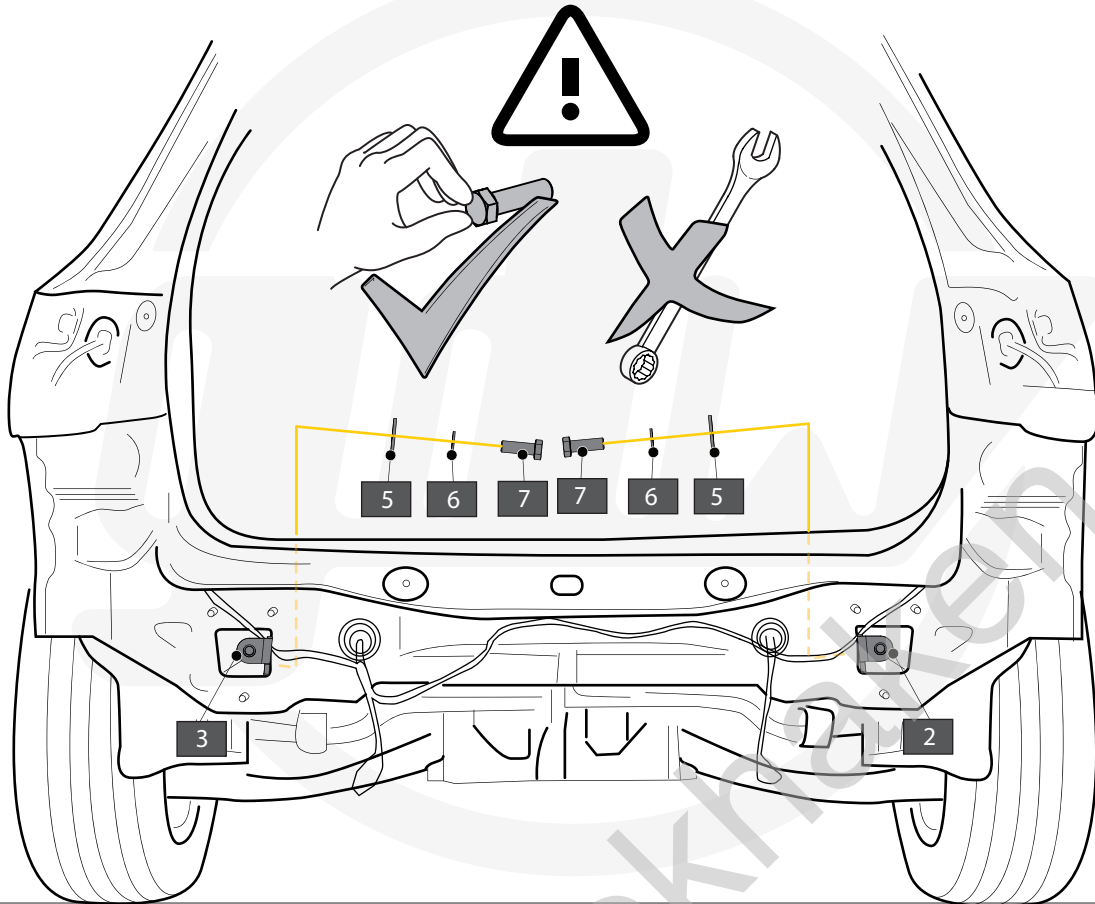


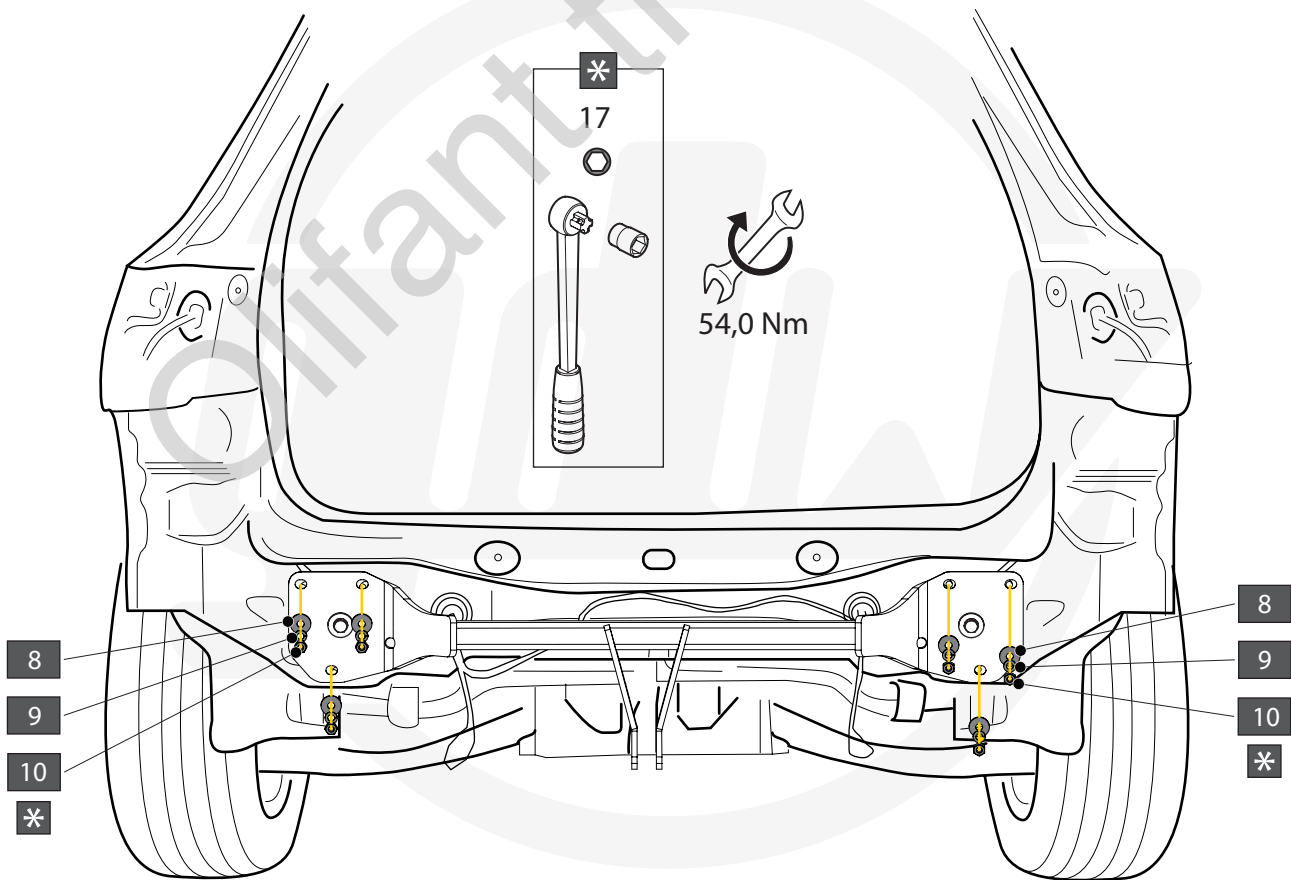
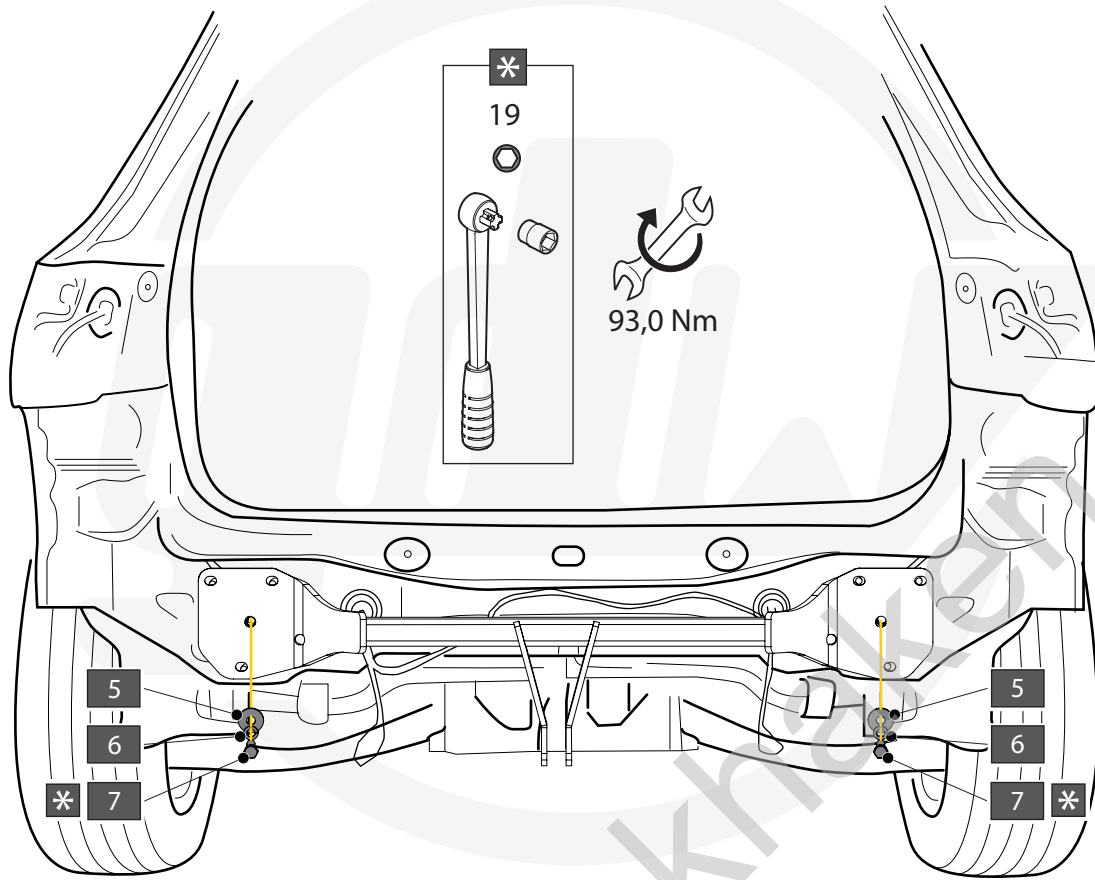
OPTIONAL

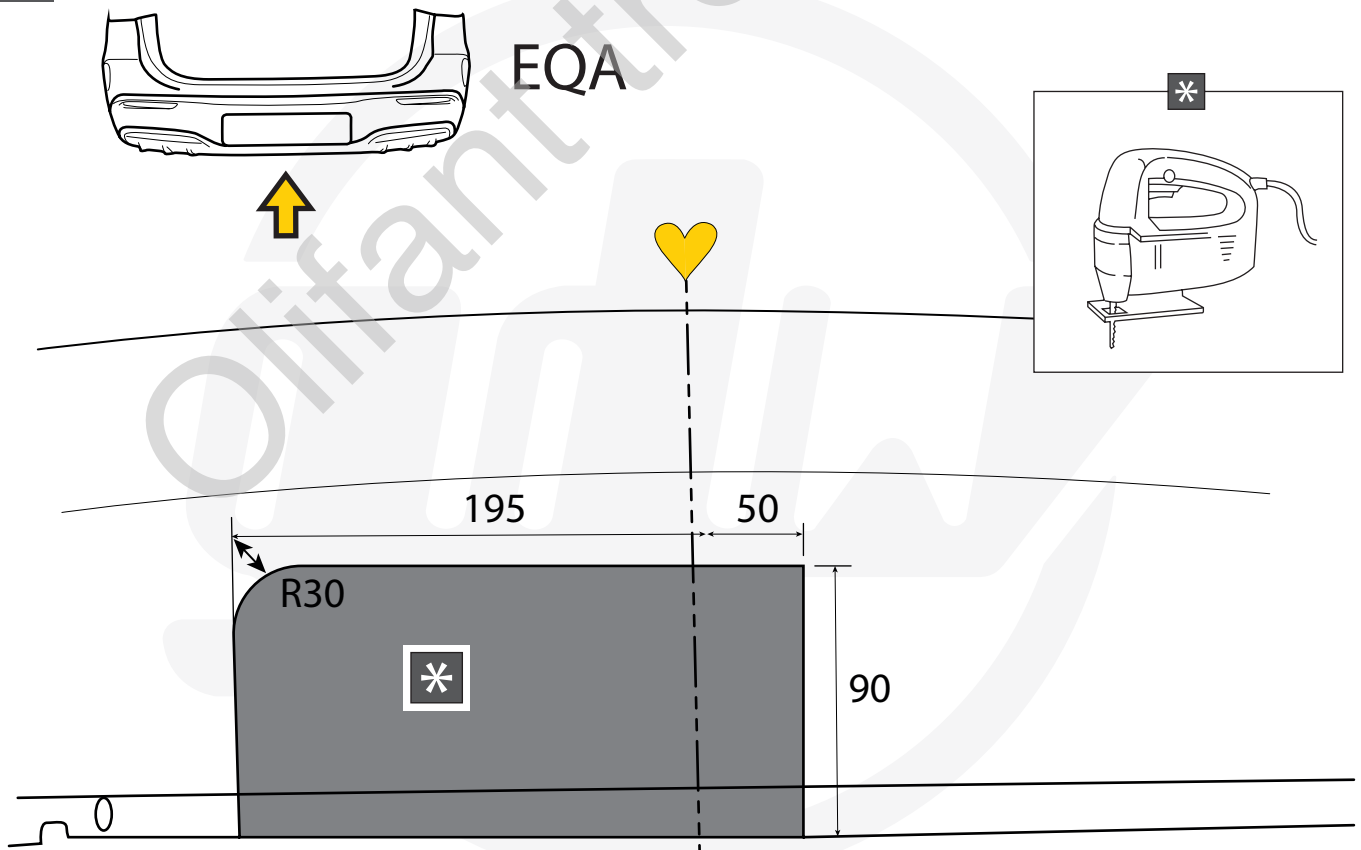
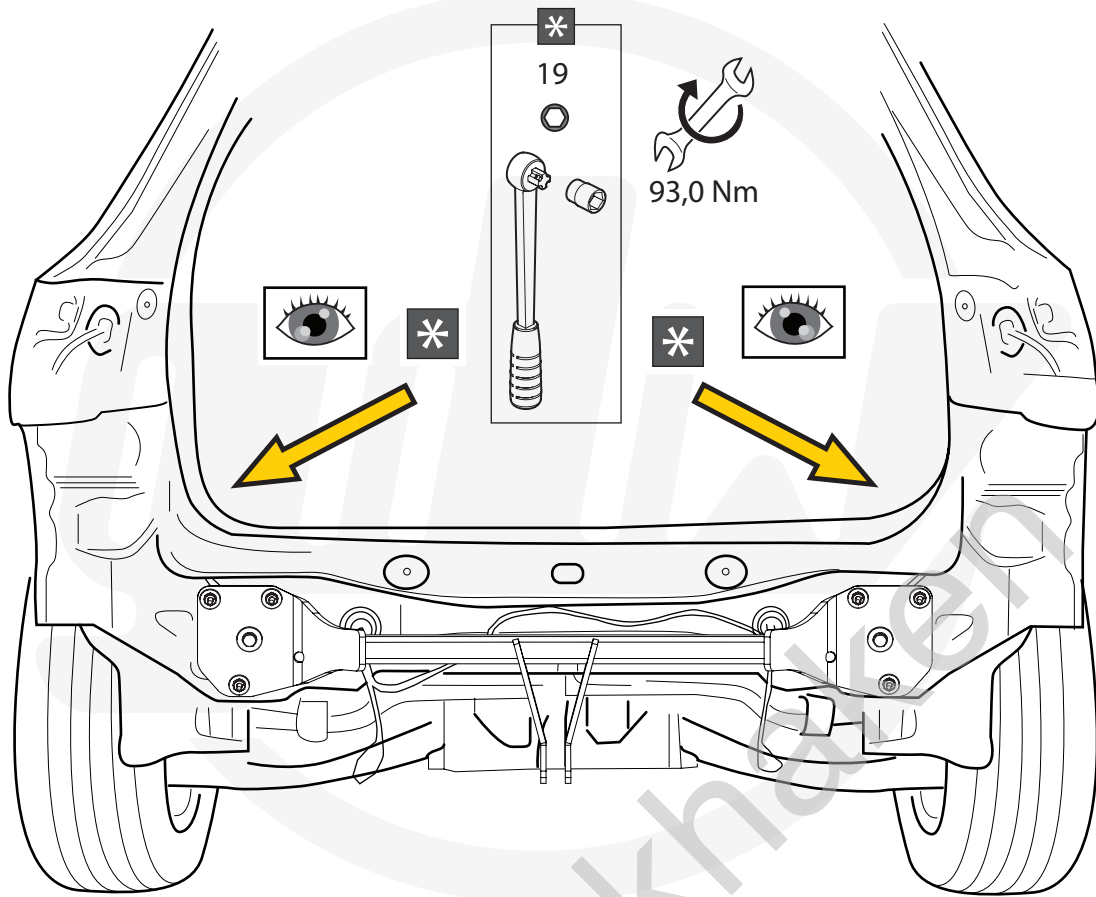


OPTIONAL

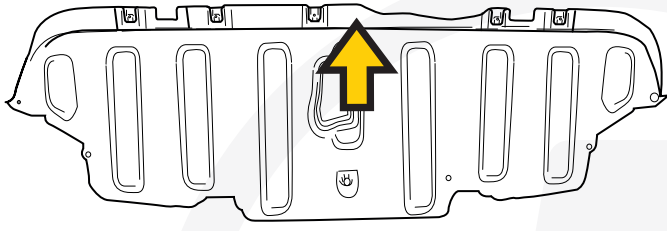




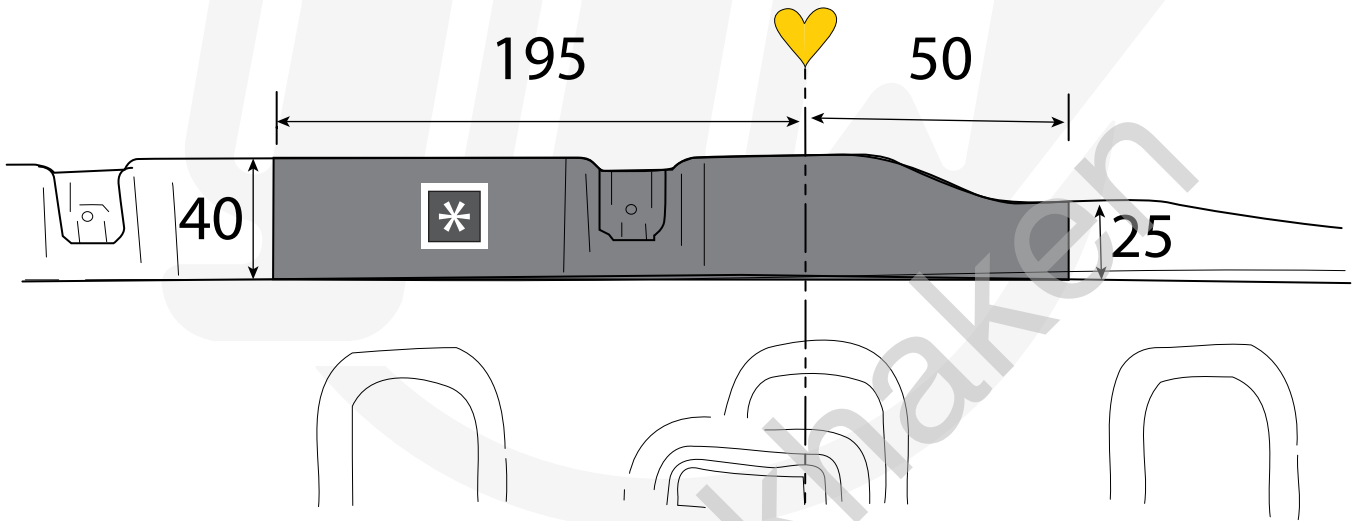
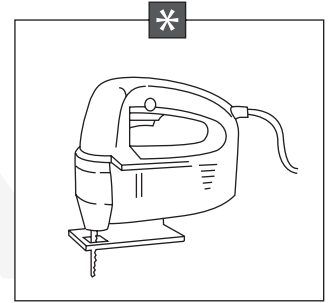




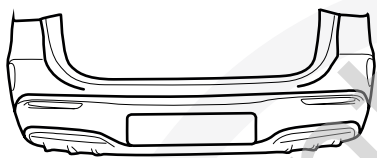
23



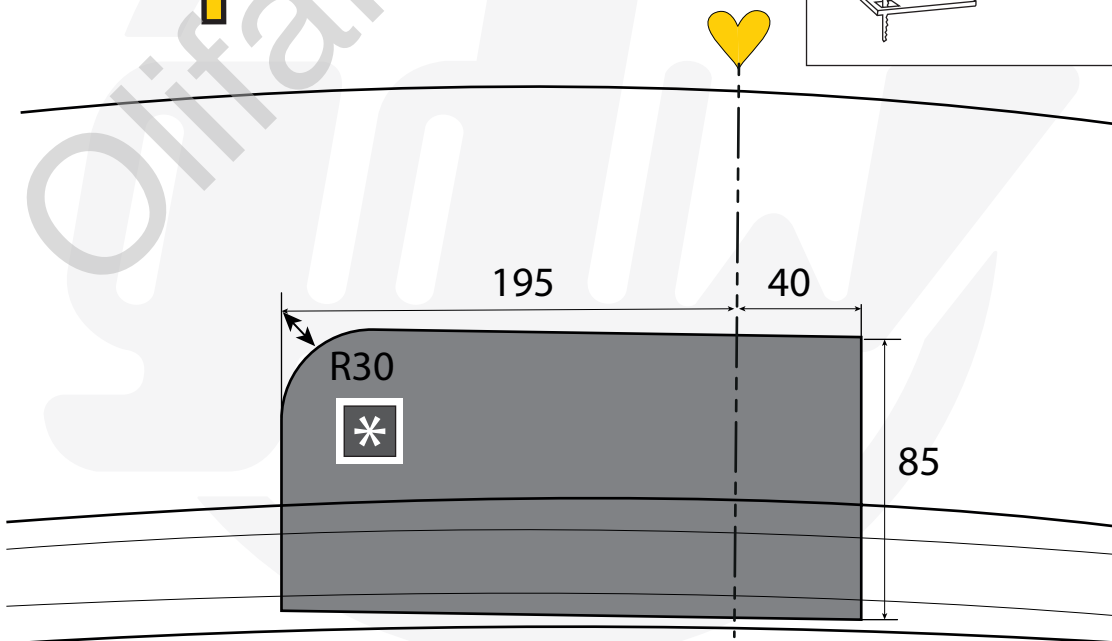
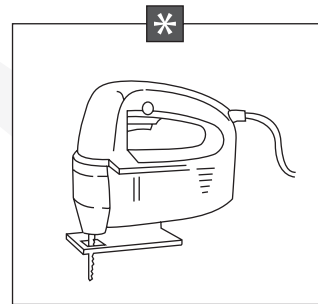
EQA

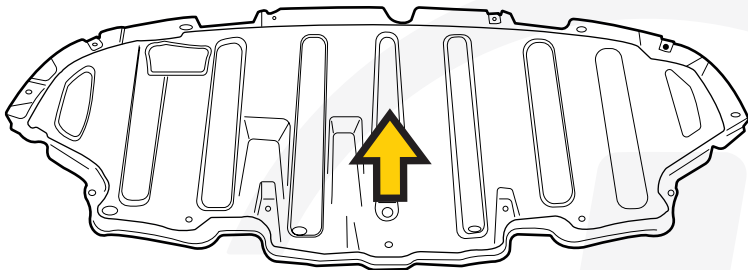


24

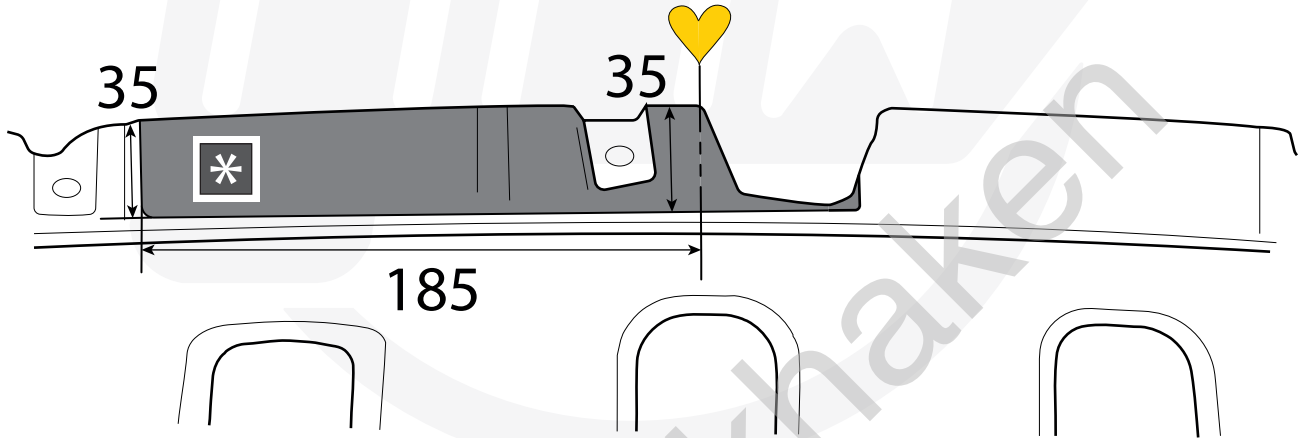
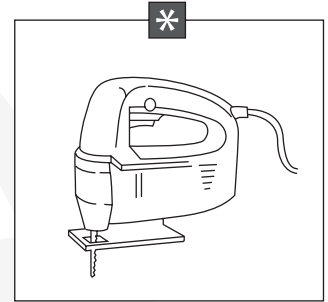


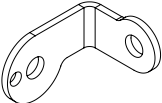
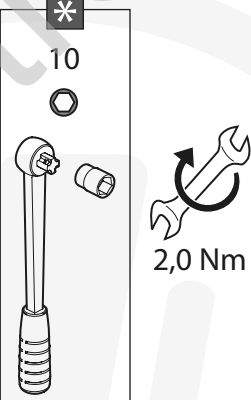


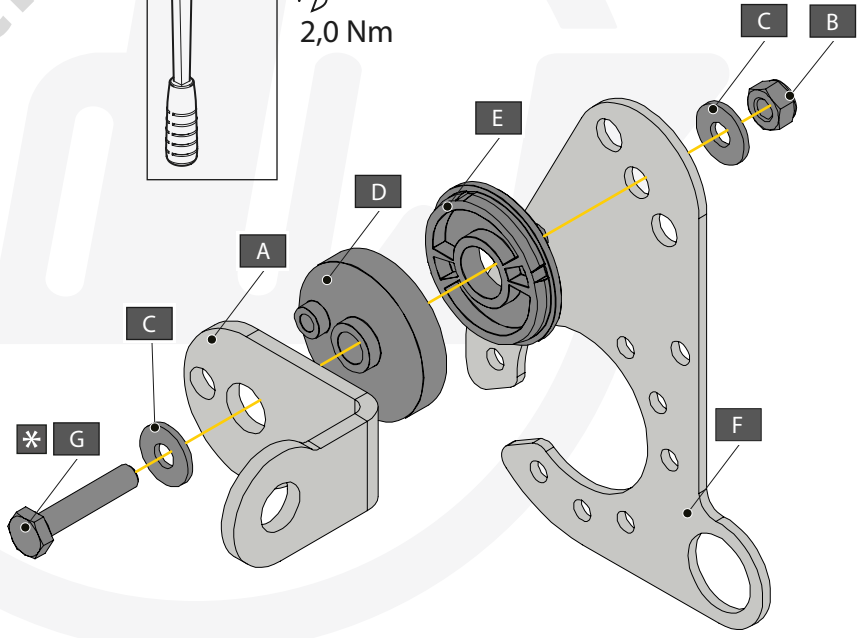


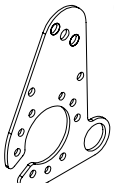
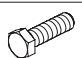
EQB

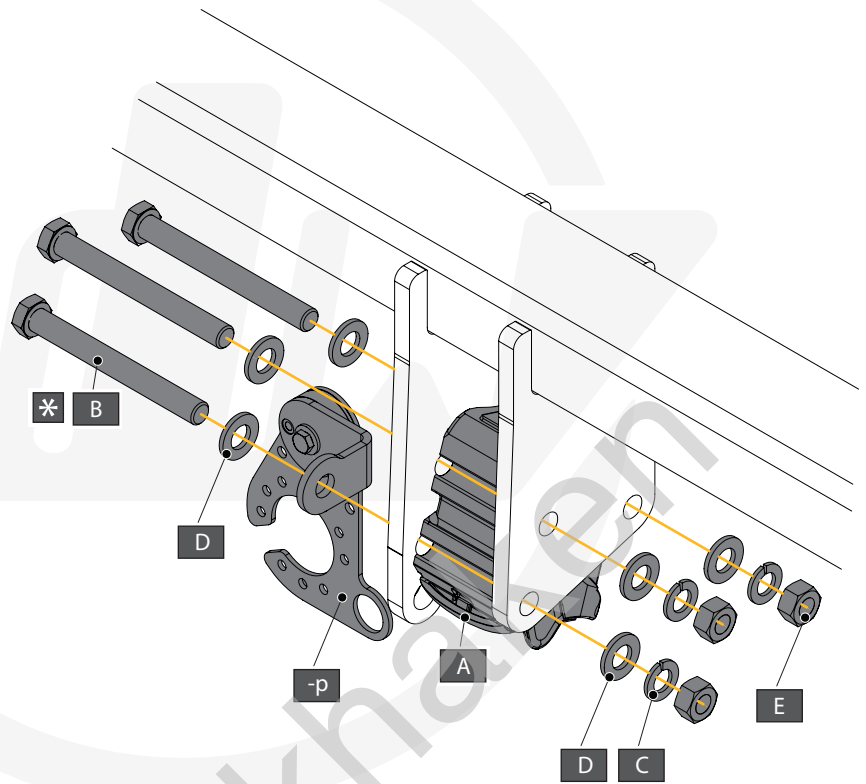
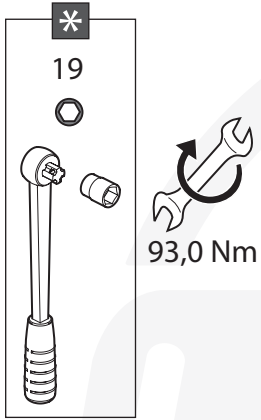




EQB



<p>A  X1 GDW REF. 908.096</p>	 <p>10 2,0 Nm</p>
<p>B  X1 DIN985-M6</p>	
<p>C  X2 6,2 X 15,4 X 1,6 (NYLON)</p>	
<p>D  X1 GDW REF. 718.16.002</p>	
<p>E  X1 GDW REF. 718.16.003</p>	
<p>F  X1 GDW REF. 908.094</p>	
<p>G  X1 DIN933-M6 X 30</p>	



- | | | | |
|---|--|----|------------------|
| A | | X1 | GDW REF. 912.003 |
| B | | X3 | DIN931-M12 X 110 |
| C | | X3 | DIN128A-M12 |
| D | | X6 | DIN125A-M12 |
| E | | X3 | DIN934-M12 |

