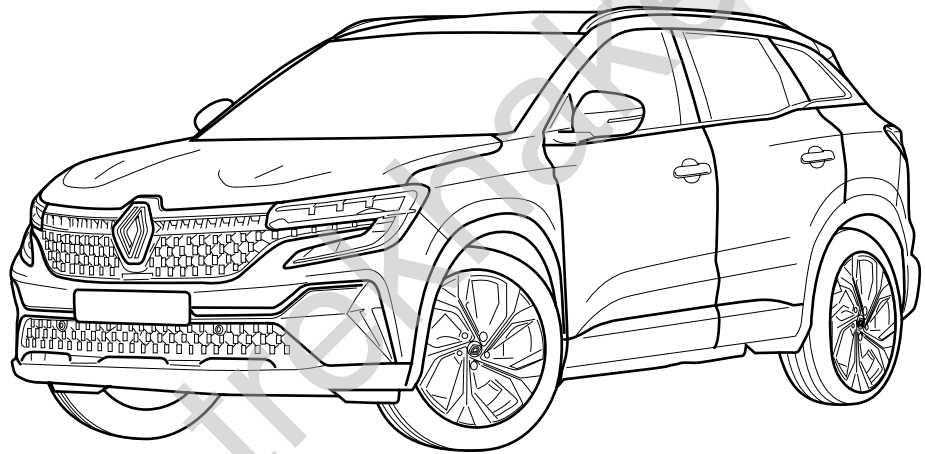




## Renault Austral

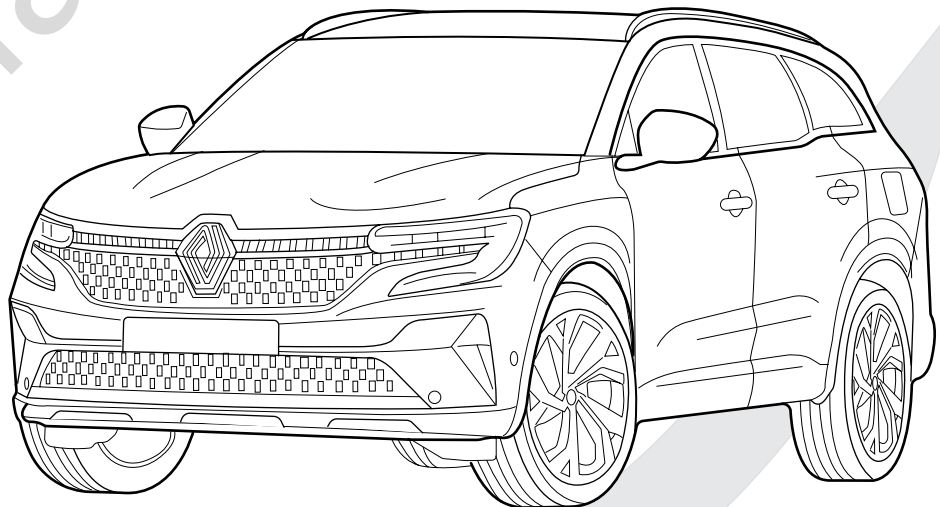
07/'22-

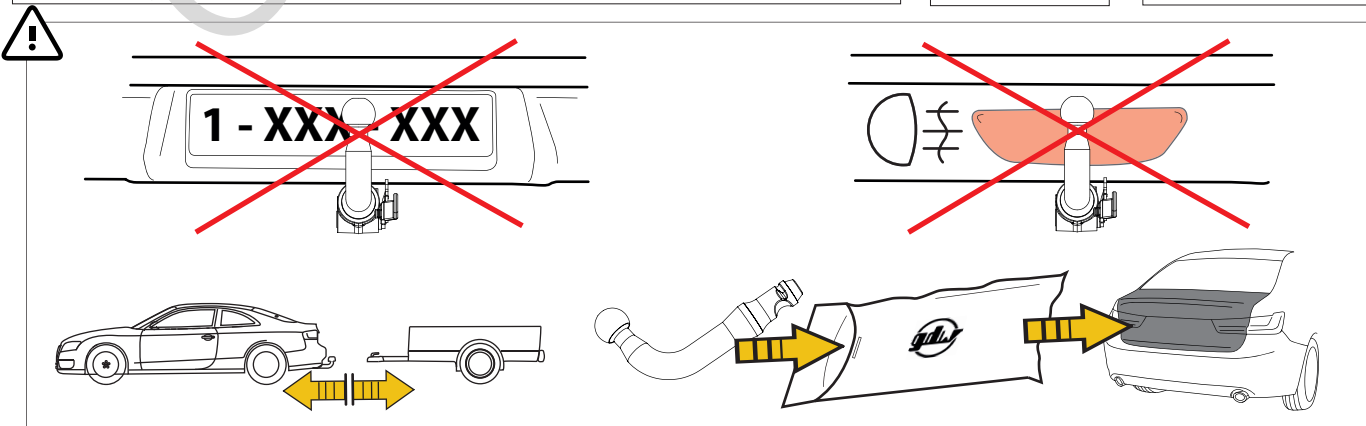
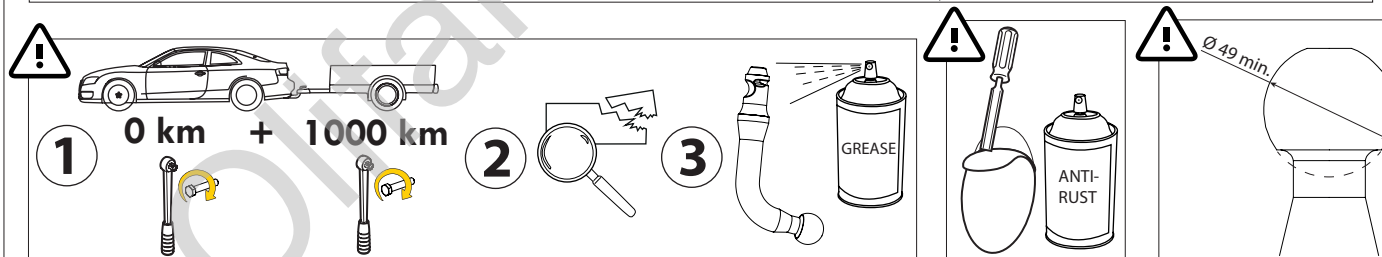
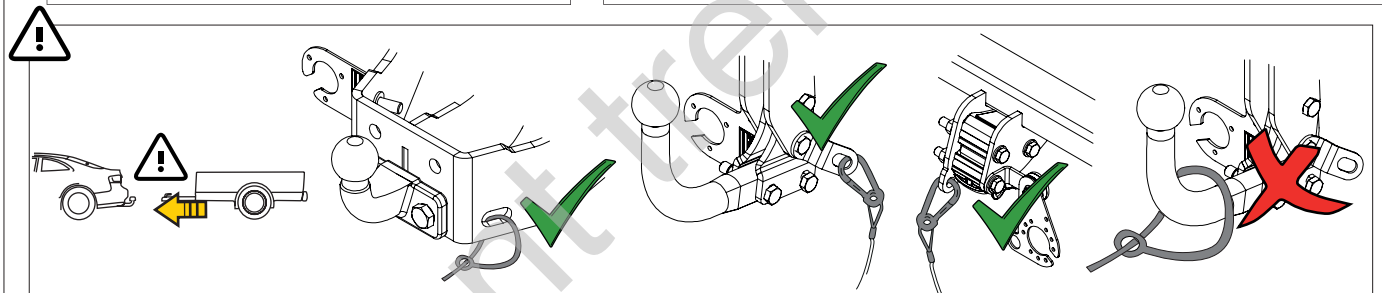
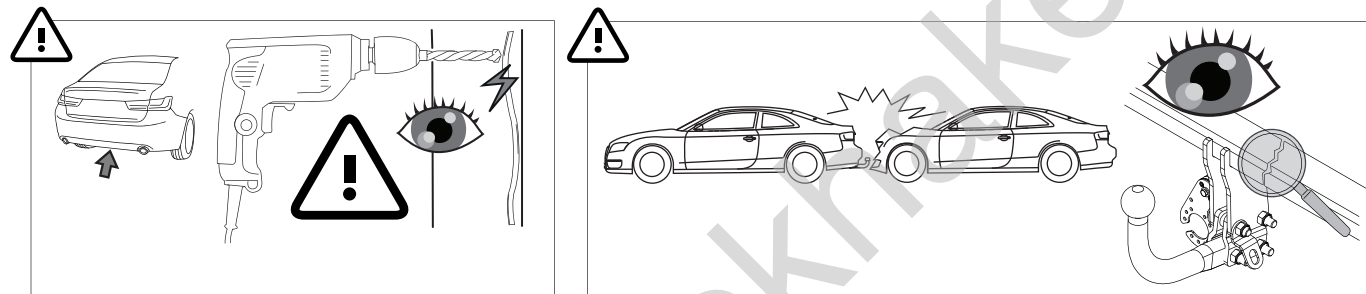
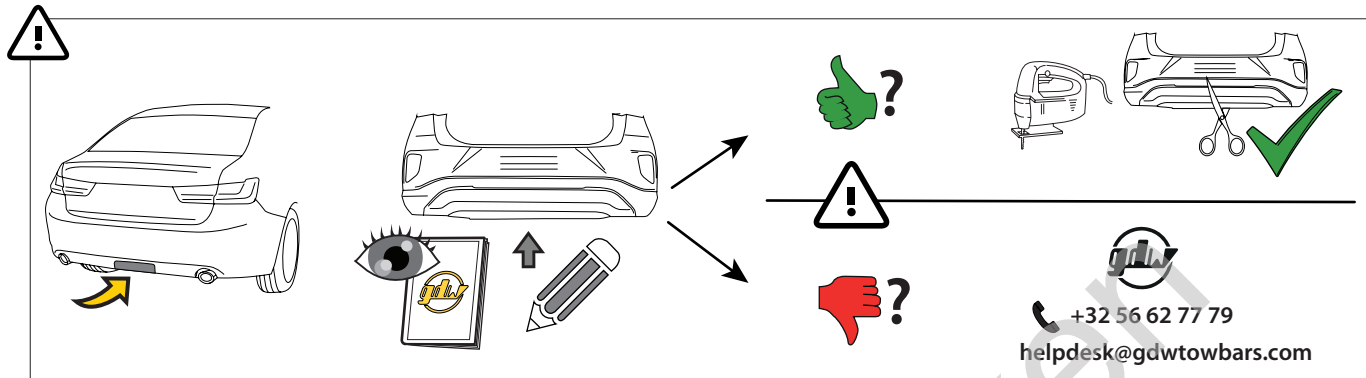
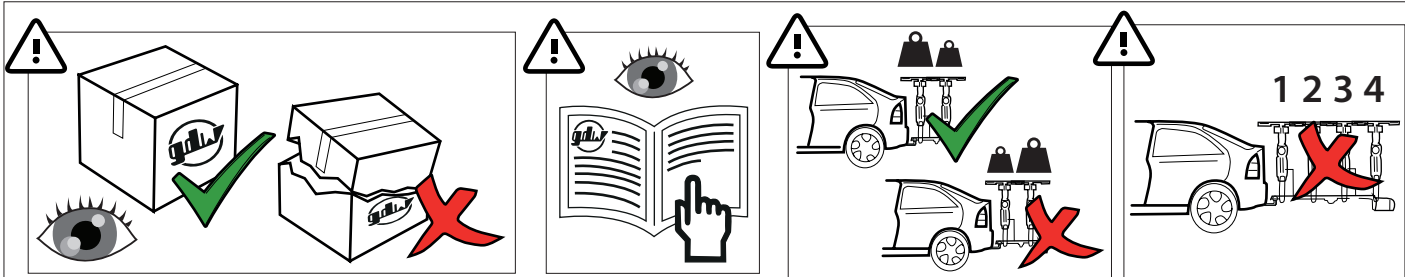
- ✓ FULL HYBRID
- ✓ MILD HYBRID
- ✓ KICKSENSOR (HANDSFREE TAILGATE)



## Renault Espace VI

05/'23-





MADE BY



**D 11,50**

**F**

**E6**

BELGIUM

**S 85**

EC-N°

55R-02 1812

REF N°

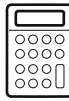
2797T60

SERIAL N°

XXXX

DESCRIPTION

Renault Austral 07/'22-, Renault Espace VI 05/'23-



$$D = \frac{\text{max kg (car)} \times \text{max kg (trailer)}}{\text{max kg (car)} + \text{max kg (trailer)}} \times 0.00981 \leq 11,50 \text{ kN}$$

$$S = \text{max kg (hook)} \leq 85 \text{ kg}$$

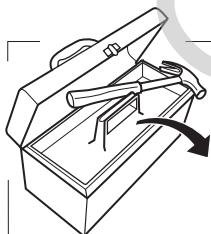
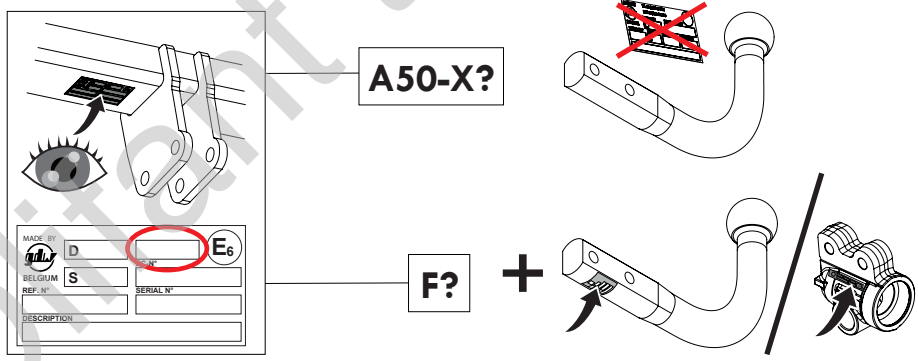
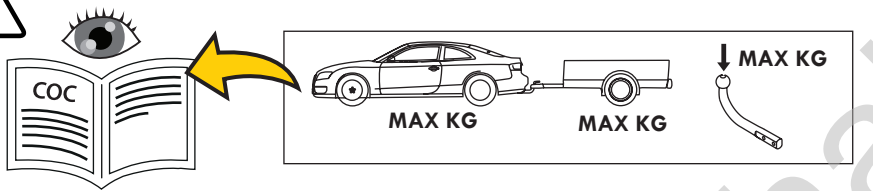
$$S = \text{max kg (trailer)} \leq 2100 \text{ kg}$$



See the Certificate Of Conformity (COC) of your vehicle or contact your dealer to verify the max. trailer weight of your car!



See the user manual of the vehicle for correct use of bicycle carriers!



10



13



19

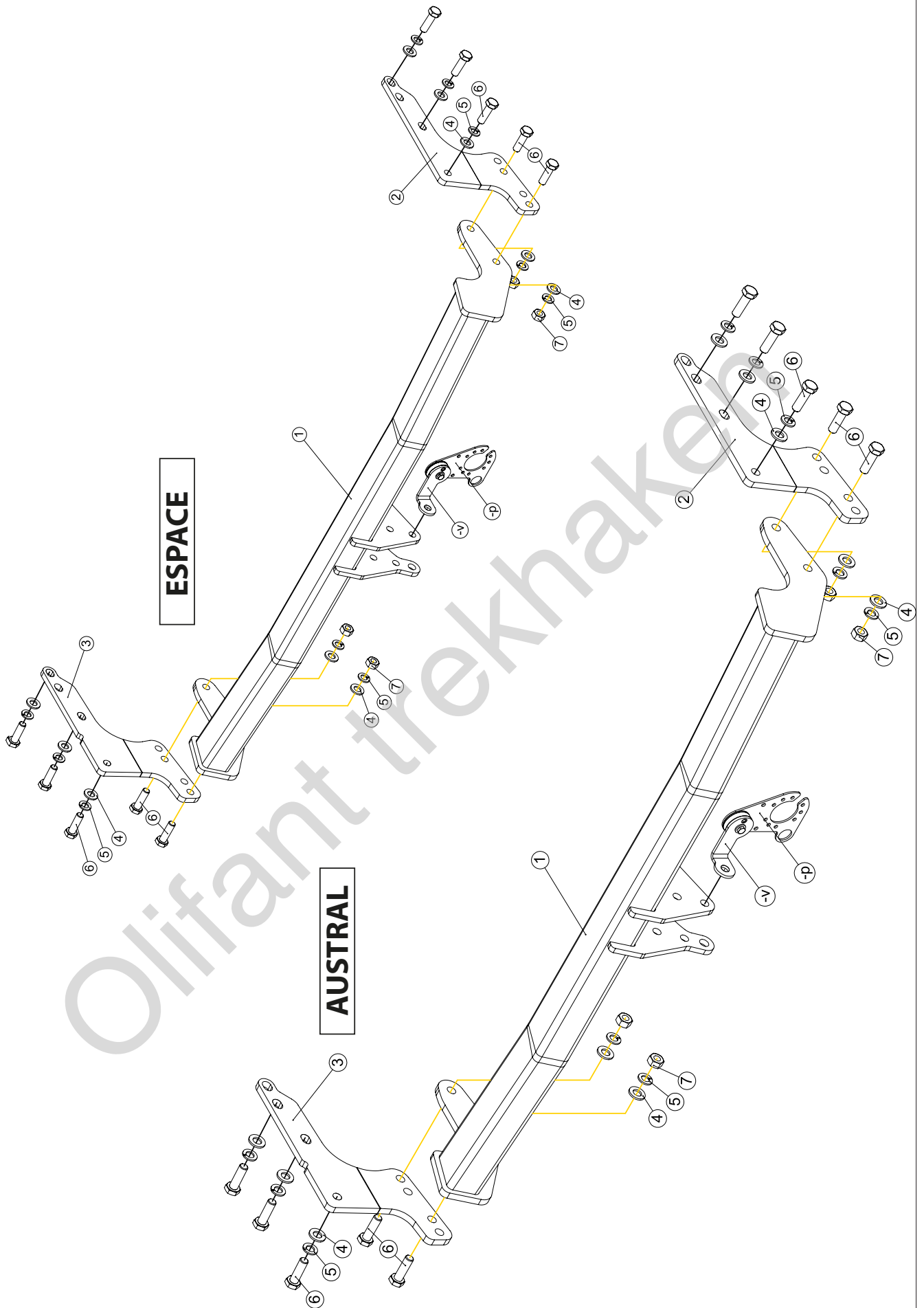


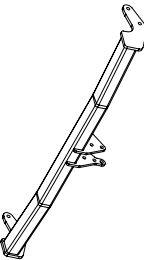
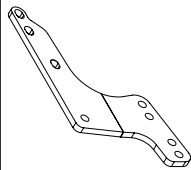
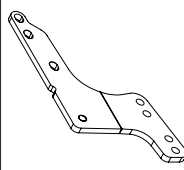



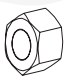
TX20

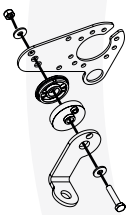
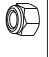
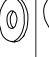


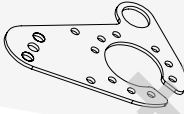

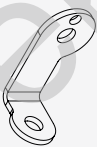


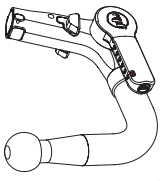

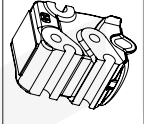


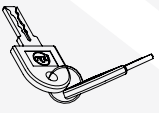

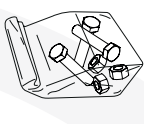
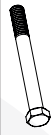


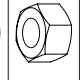
TX30



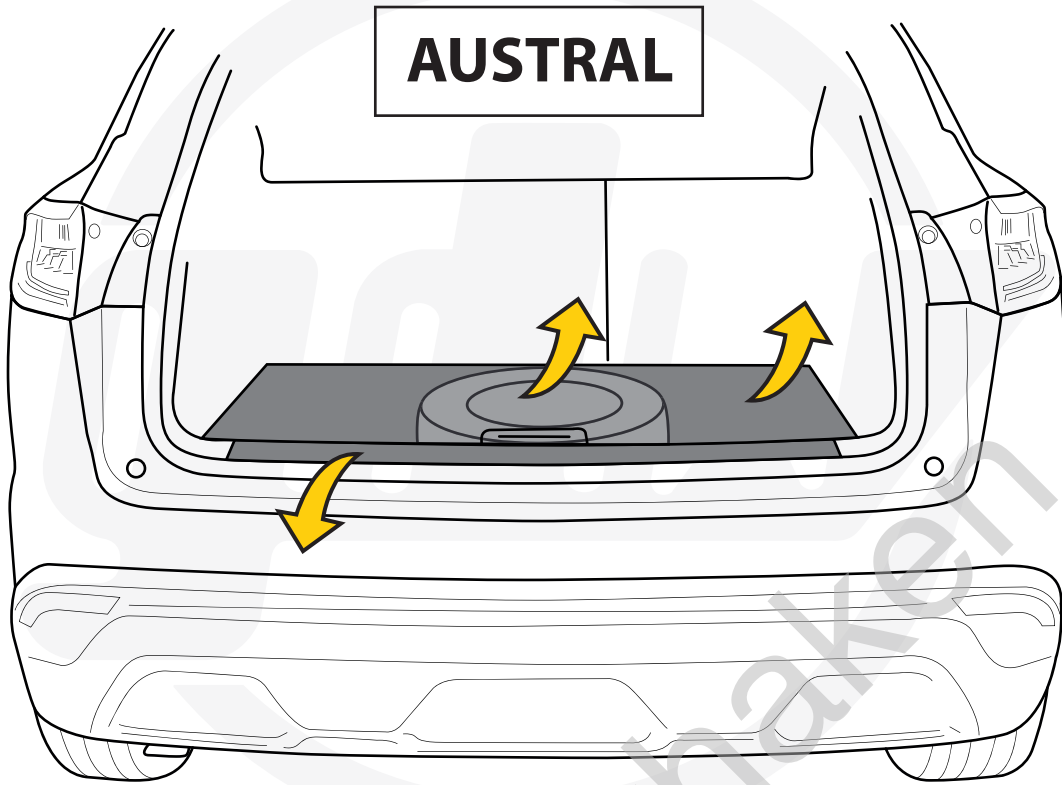


1		X1	GDW REF. 2797T60
2		X1	GDW REF. 2
3		X1	GDW REF. 3
4		X10	DIN125A-13x24x2.5
5		X10	GROWER VSK-M12
6		X10	DIN933-M12x40
7		X4	DIN934-M12

-P		X1	GDW REF. P46
↑		X1	DIN985-M6
↑		X2	6,2 X 15,4 X 1,6 (NYLON)
↑		X1	GDW REF. 718.16.002
↑		X1	GDW REF. 718.16.003
↑		X1	GDW REF. 908.094
↑		X1	DIN933-M6 X 30
↑		X1	GDW REF. 908.101

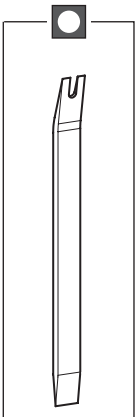
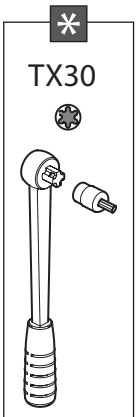
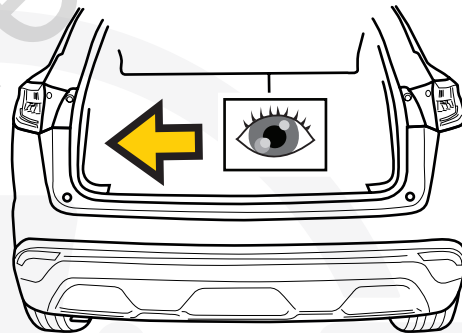
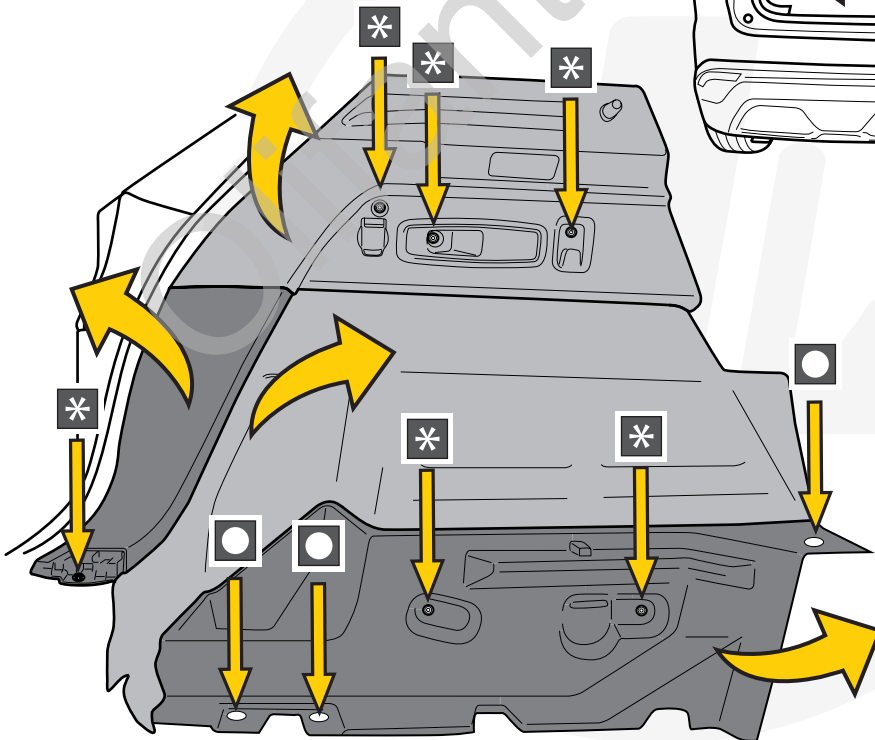
Geleverd met - Livré avec - Delivered with Geliefert mit - Elementos adjuntos-Leveres med		X1	GDW REF. 960.V1006
↑		X1	GDW REF. 740.200
↑		X1	GDW REF. 912.003
↑		X1	GDW REF. 740.112
↑		X1	GDW REF. 740.111
↑		X1	GDW REF. 740.12X X= LAST NUMBER ON KEY
↑		X1	GDW REF. 718.15.001
↑		X1	GDW REF. SYST60-10
↑		X3	DIN931-M12X110-8.8
↑		X3	DIN128A-M12
↑		X6	DIN125A-M12
↑		X3	DIN934-M12

1

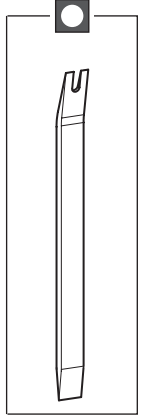
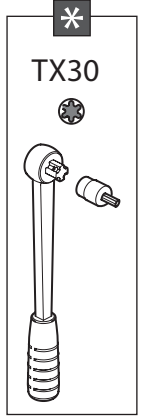
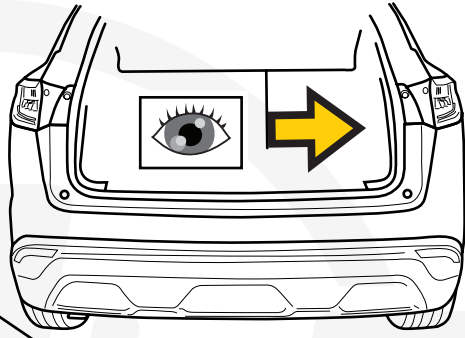
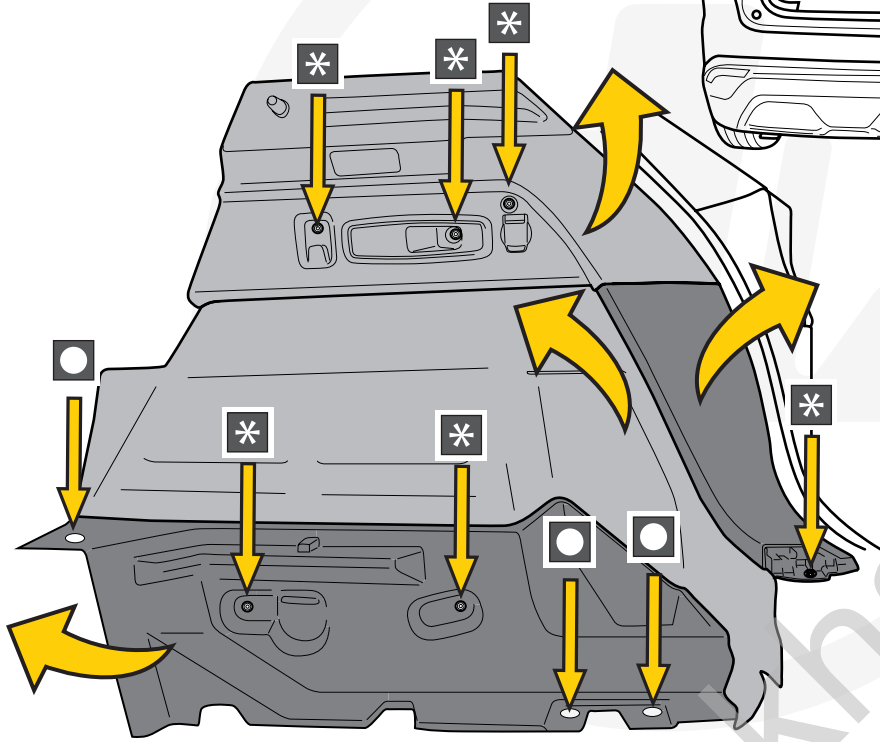


2

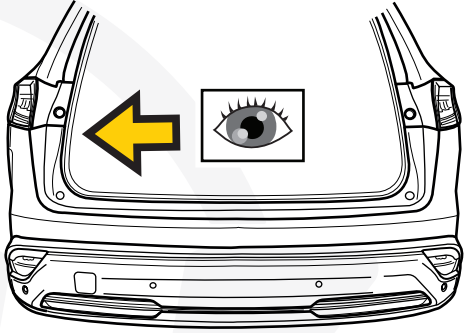
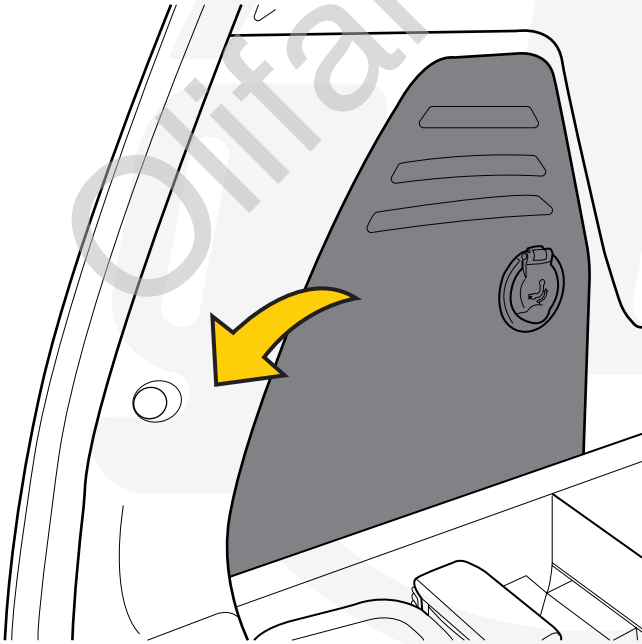
**AUSTRAL**



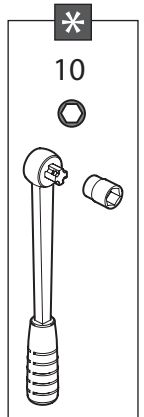
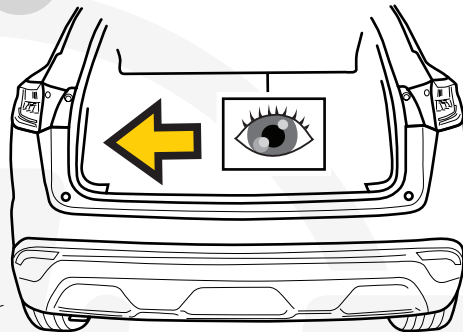
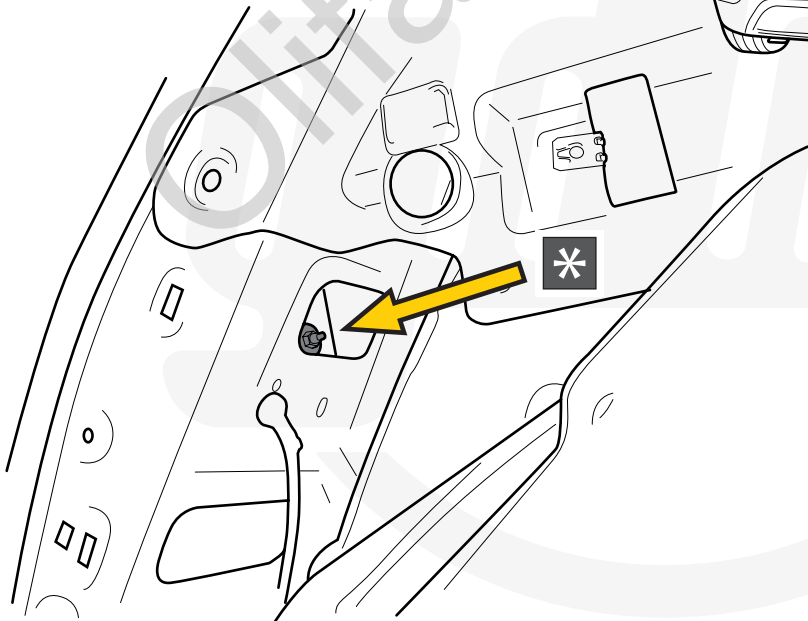
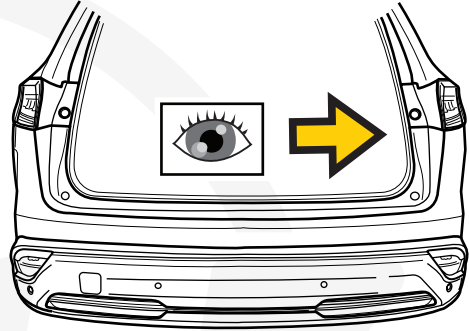
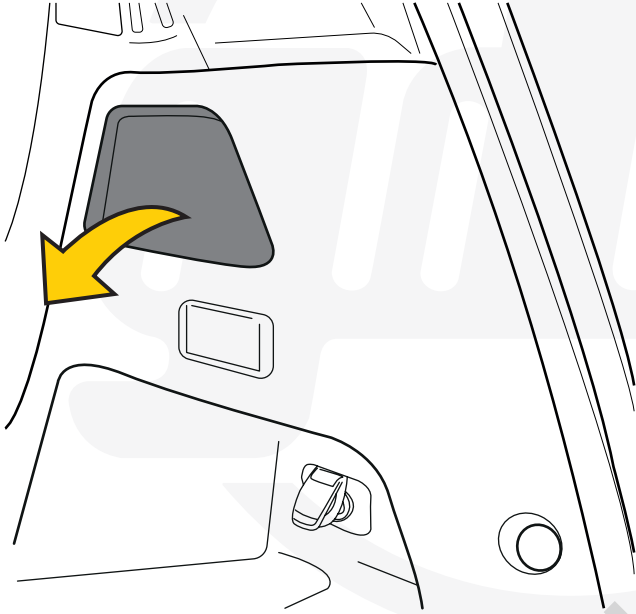
# AUSTRAL



# ESPACE

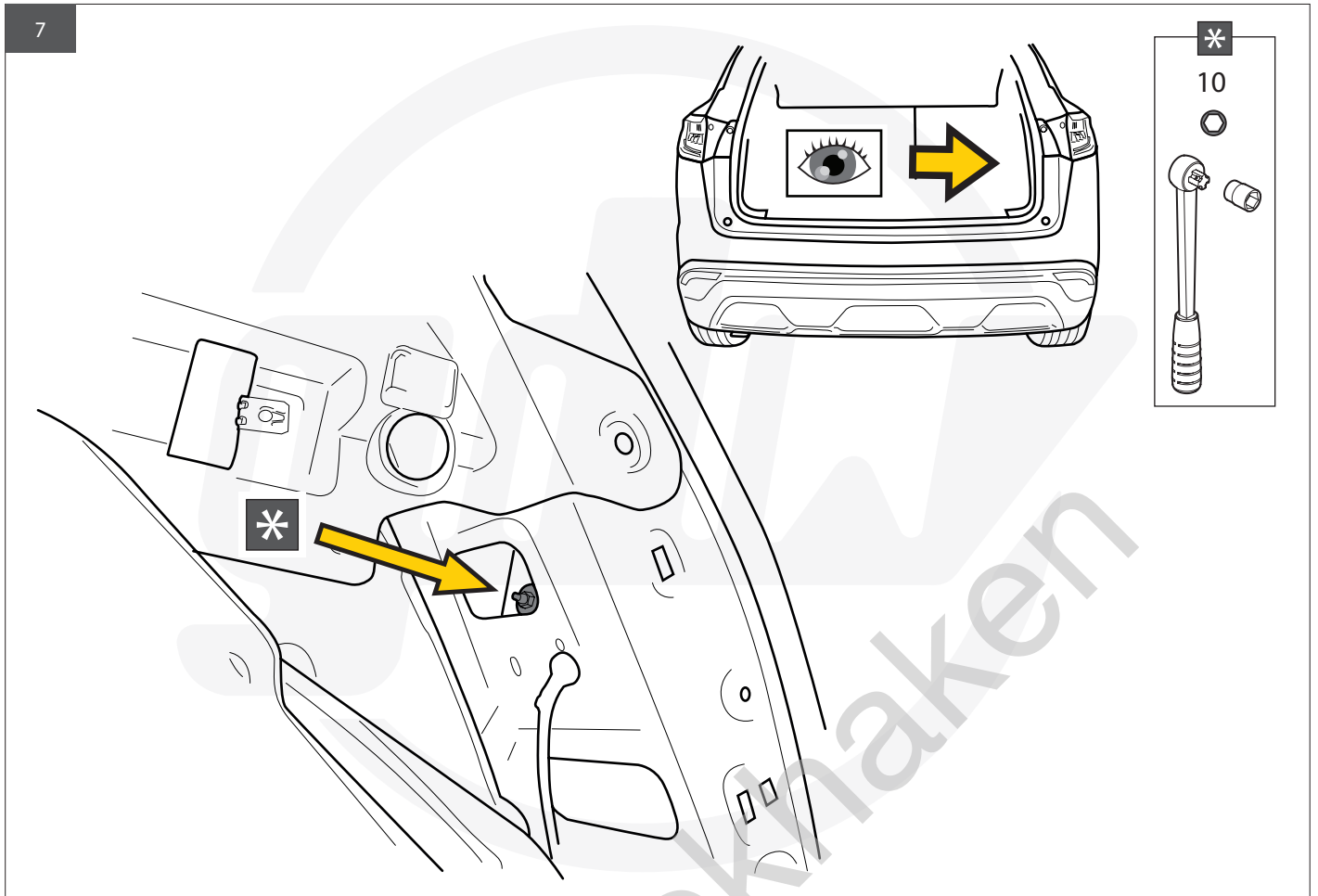


# ESPACE

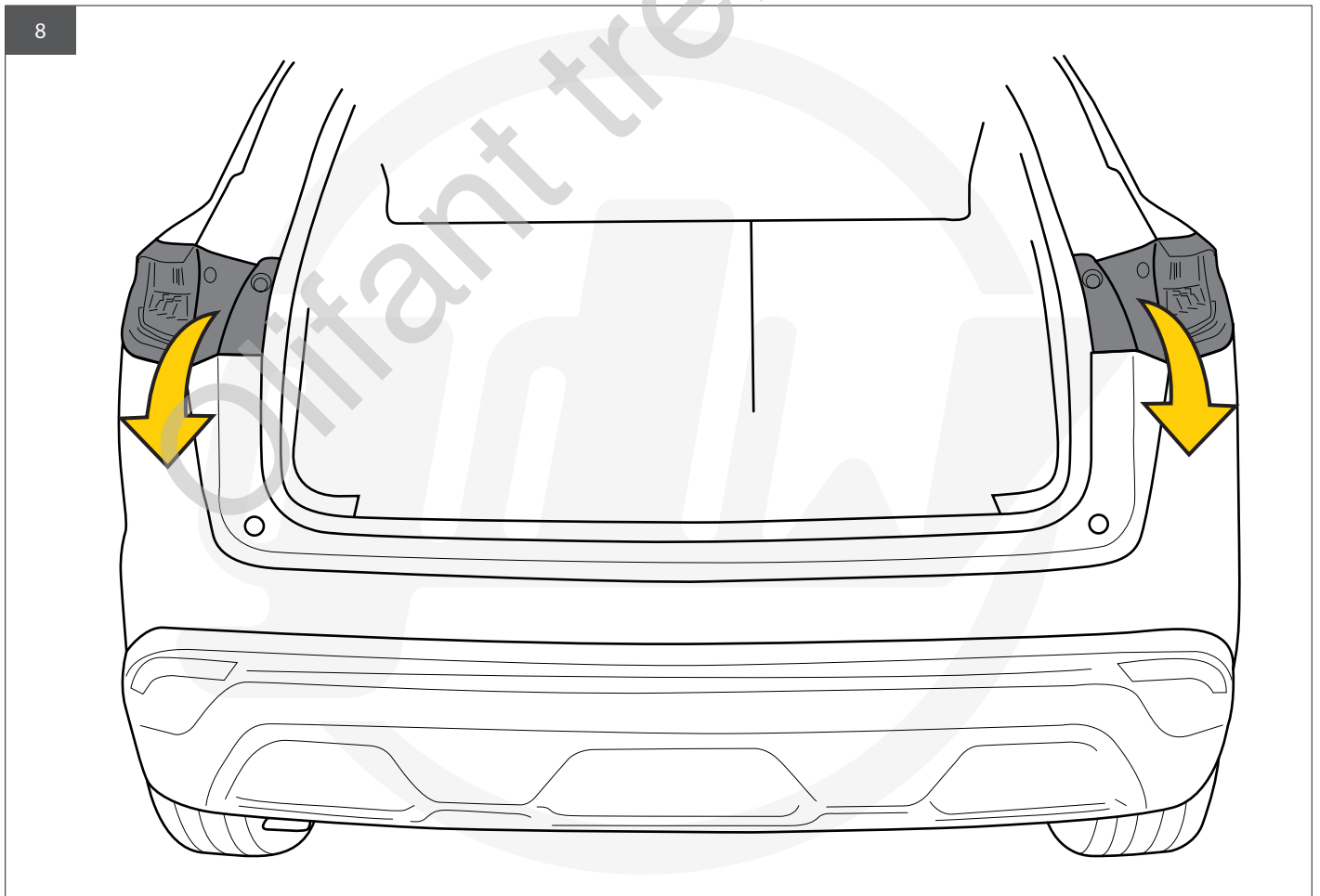


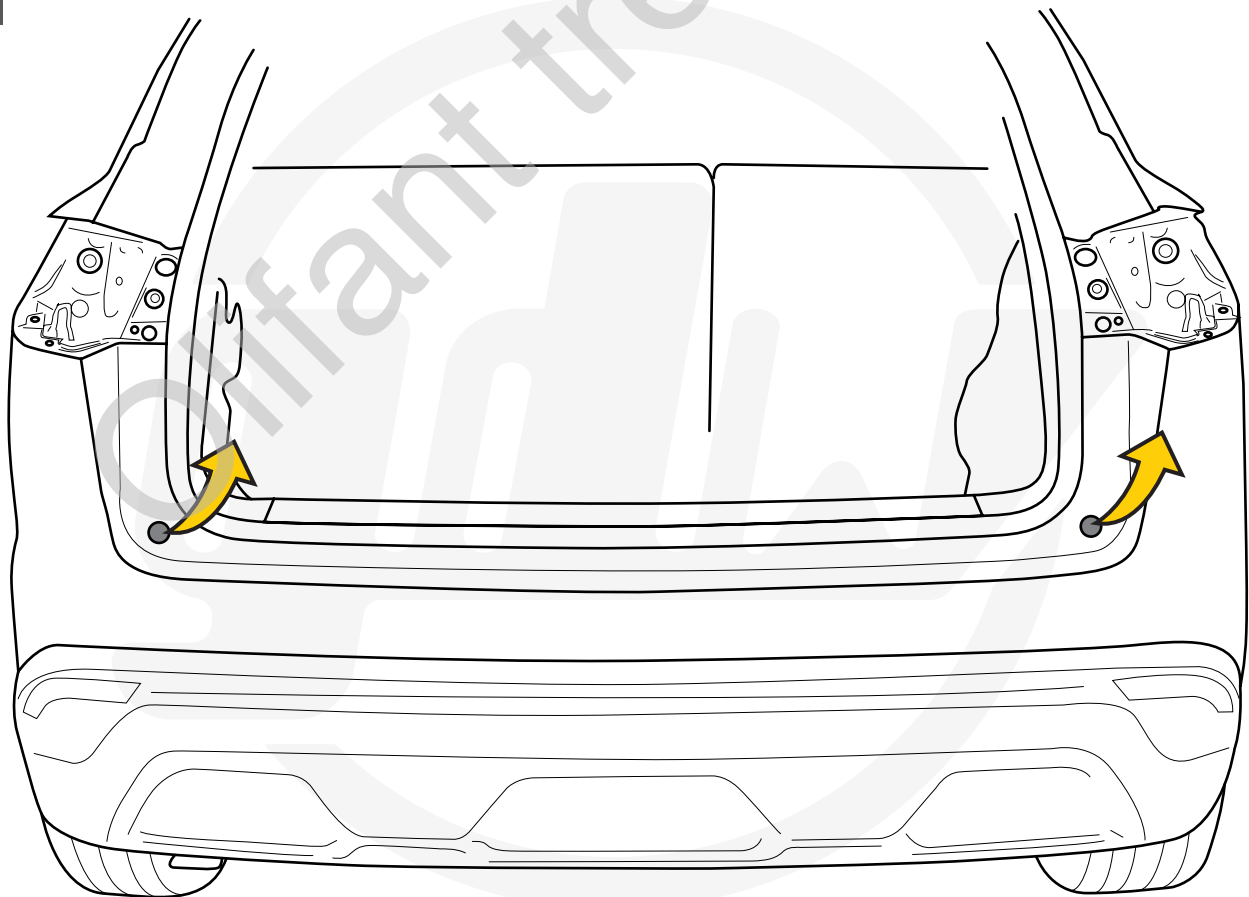
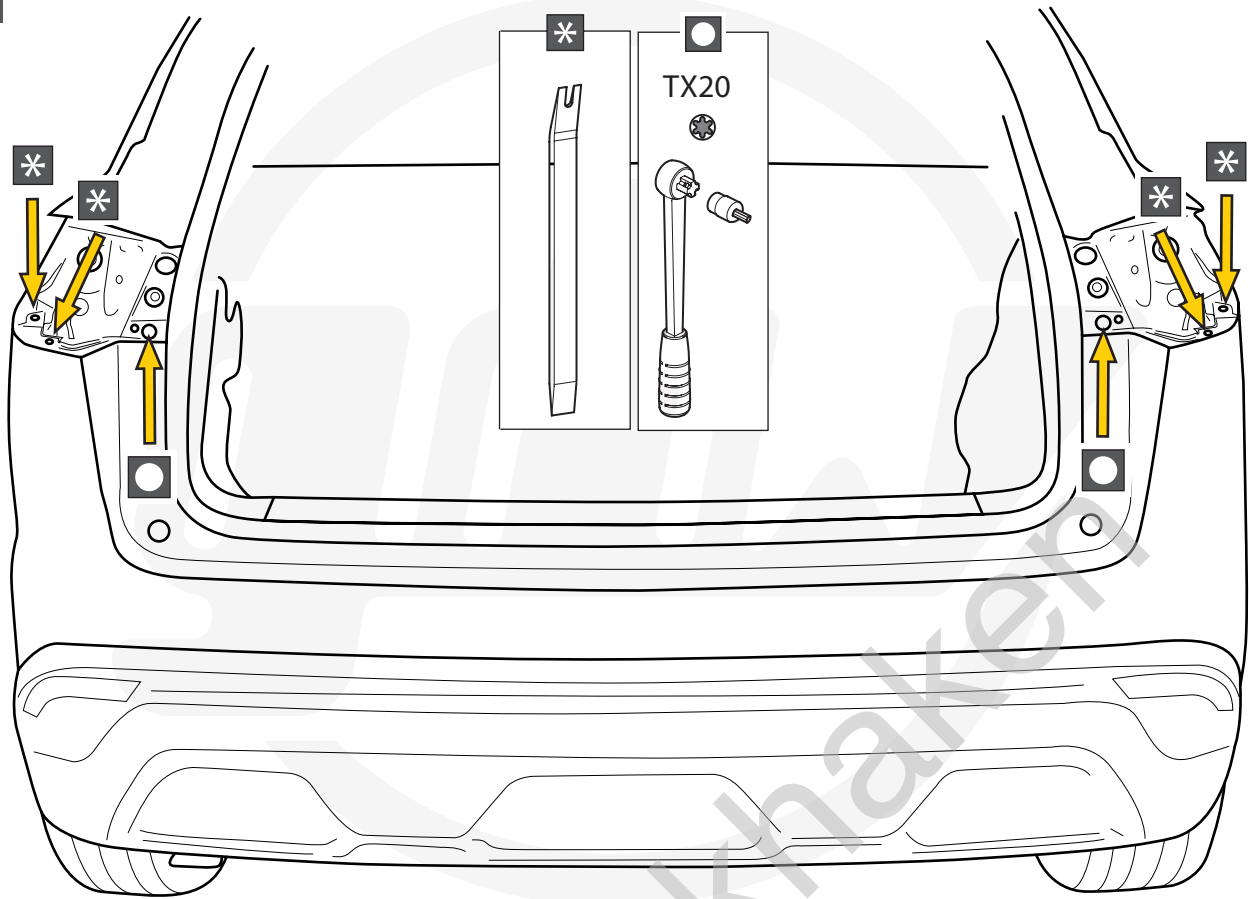


7

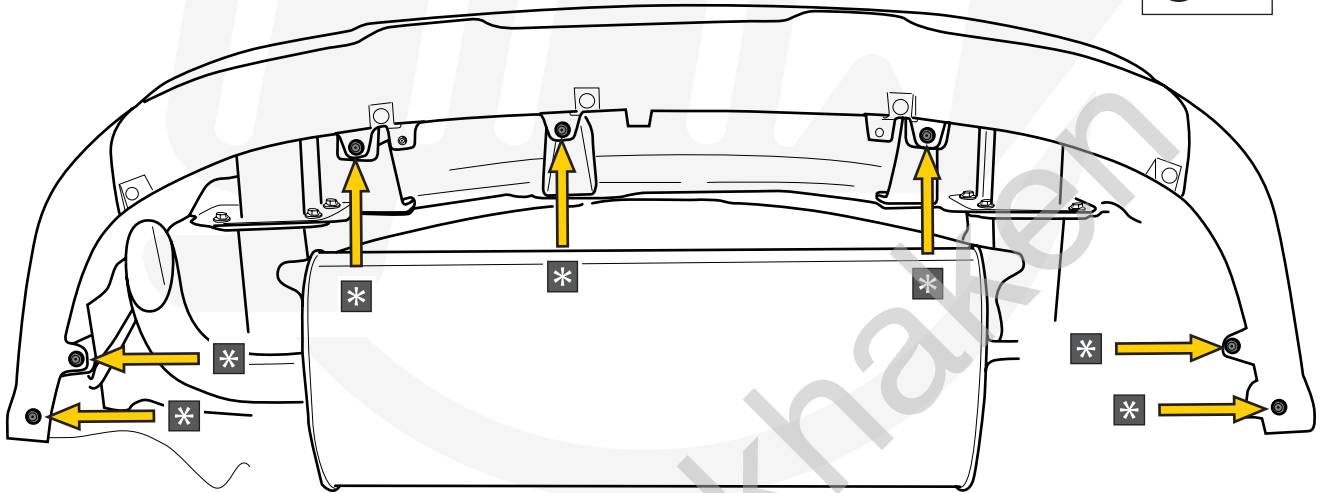
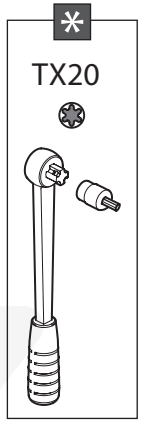
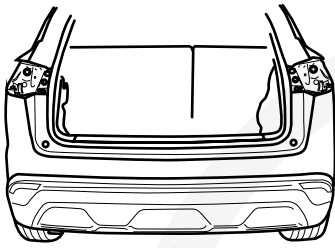


8

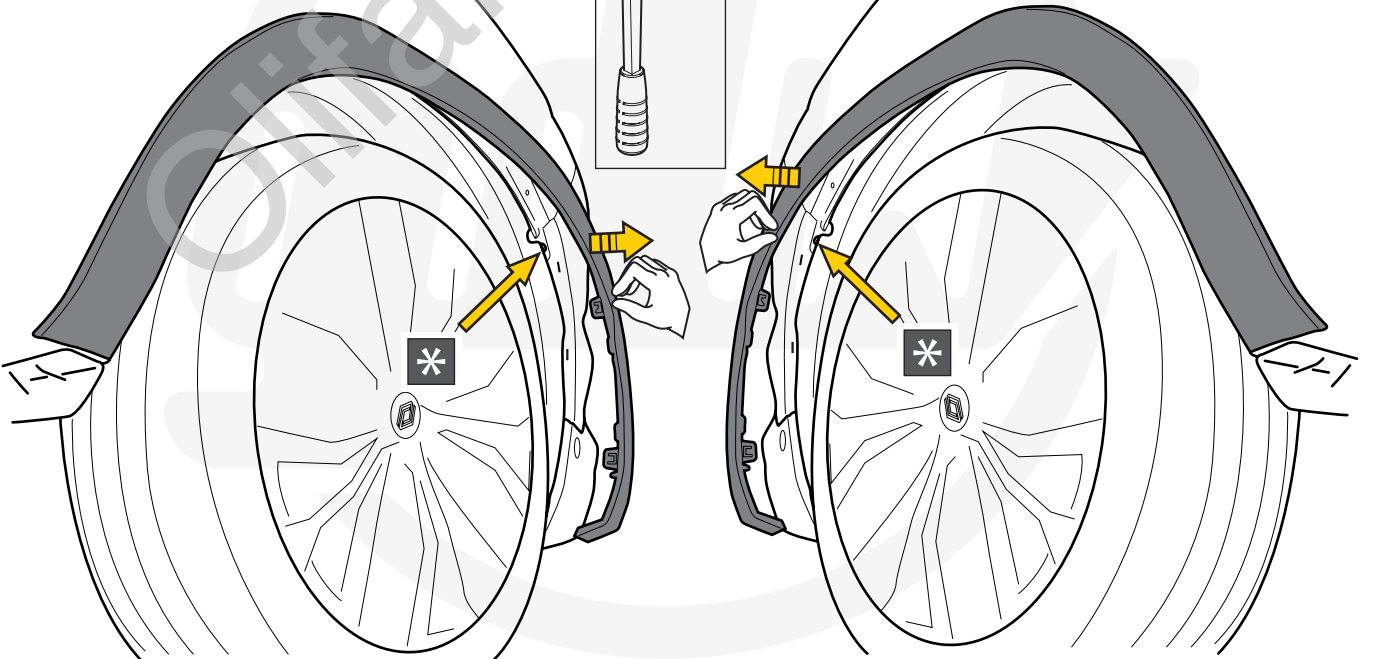
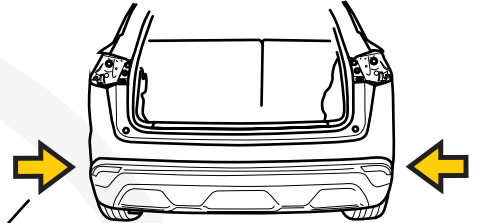
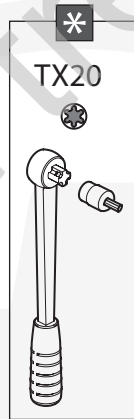


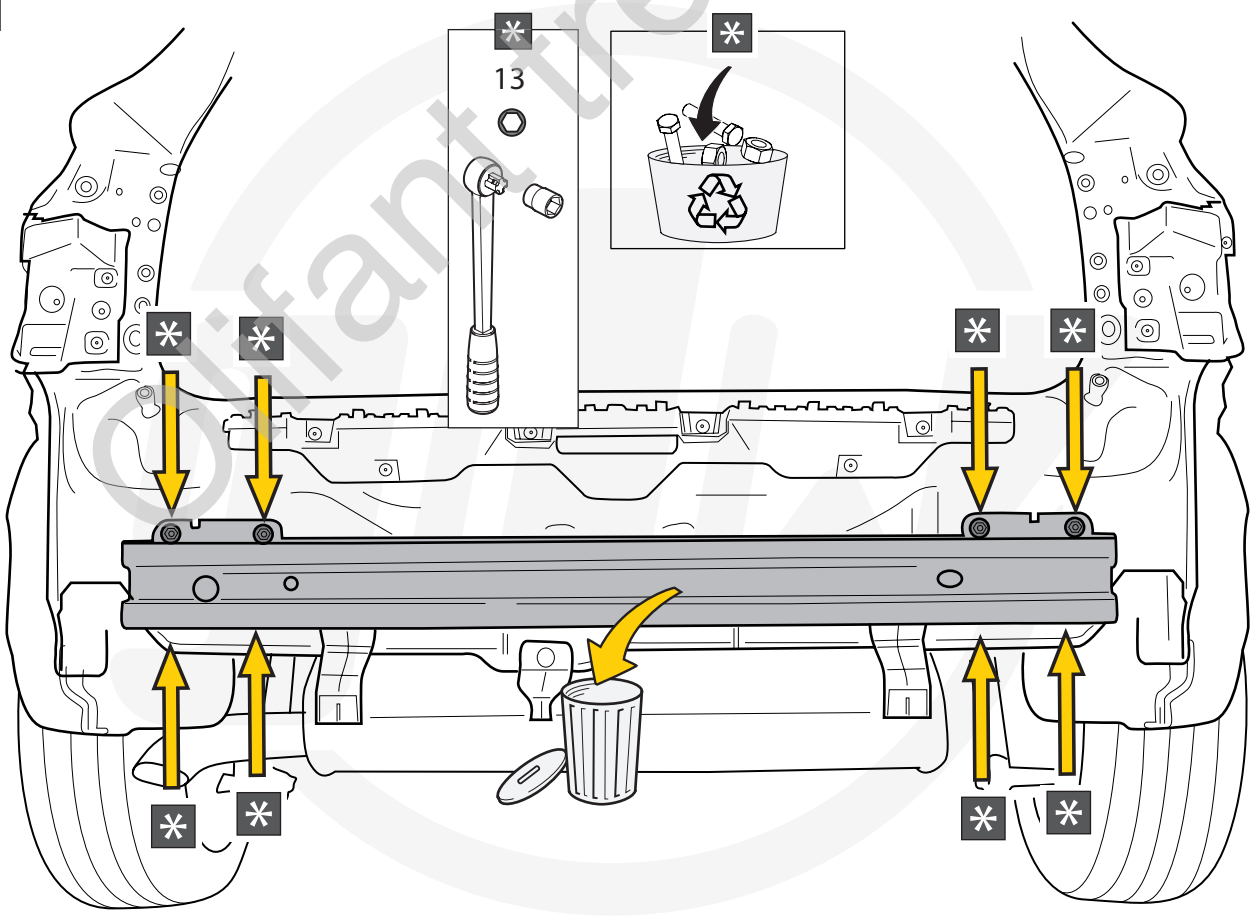
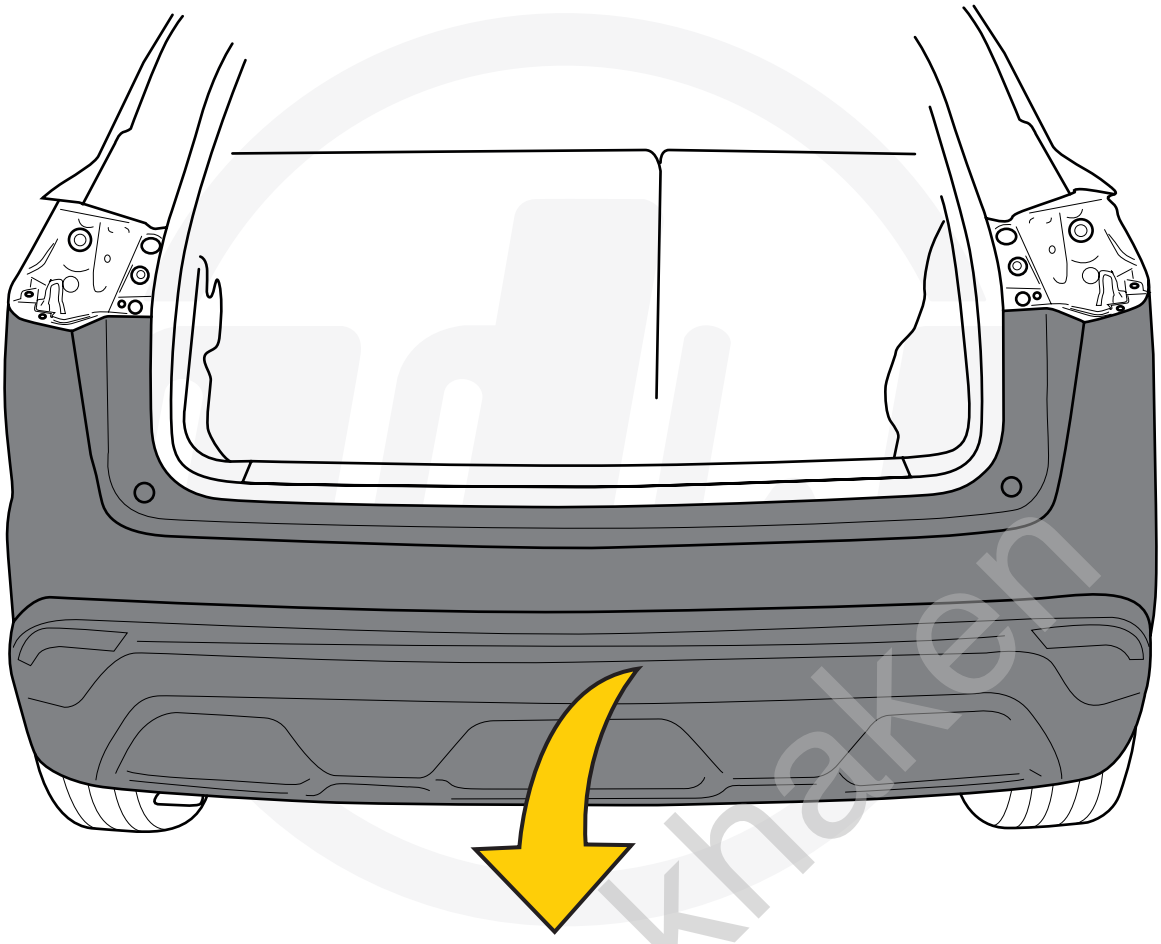


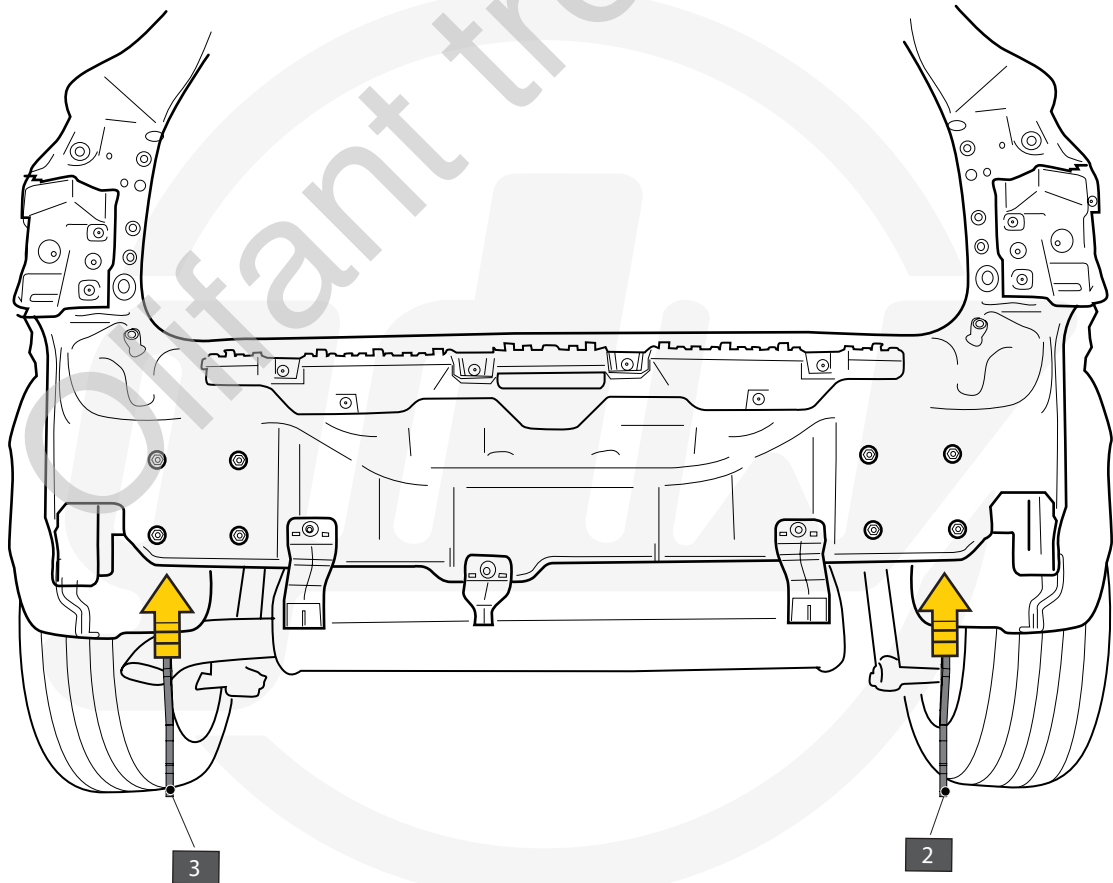
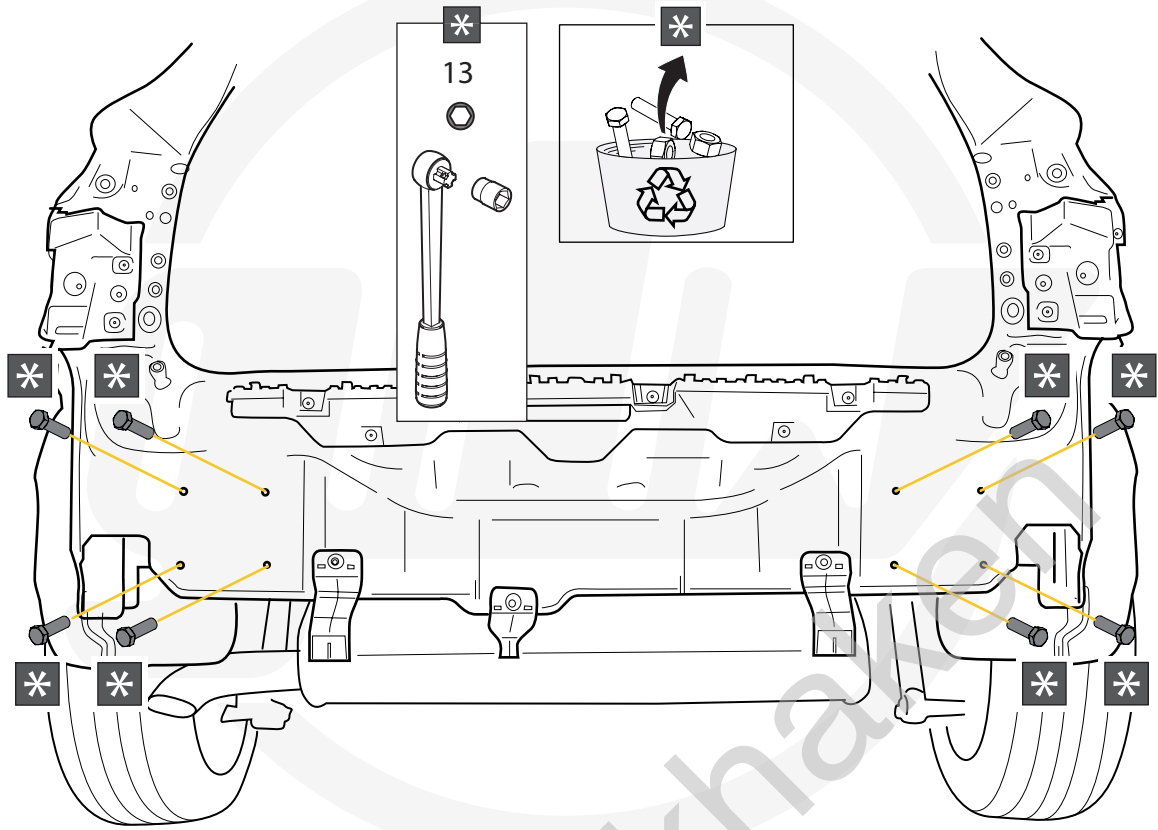
11



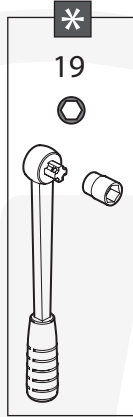
12



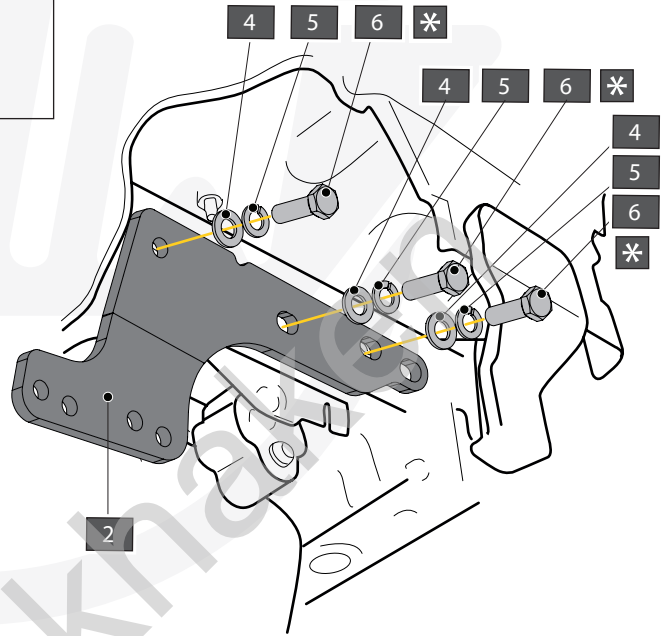
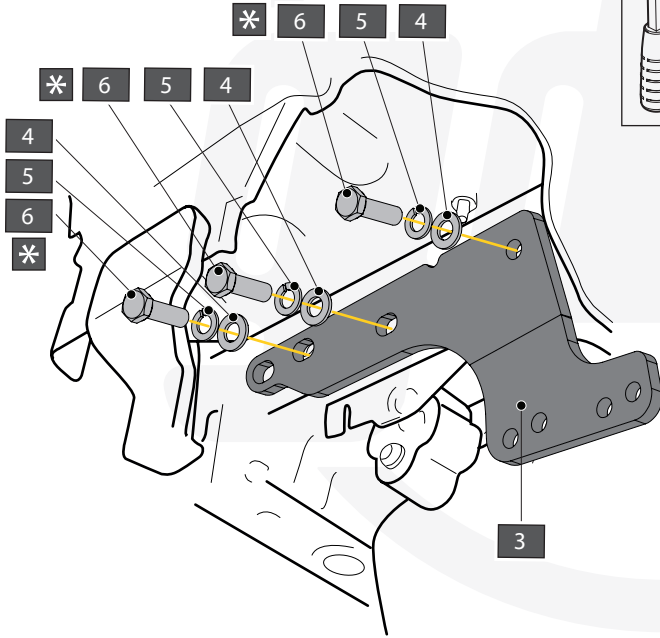
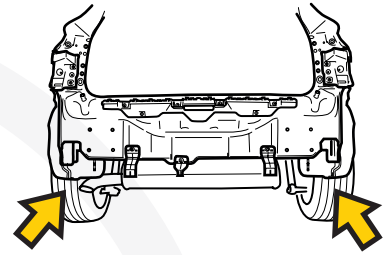




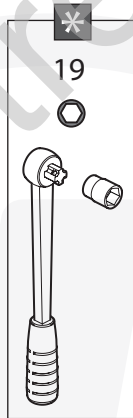
# AUSTRAL



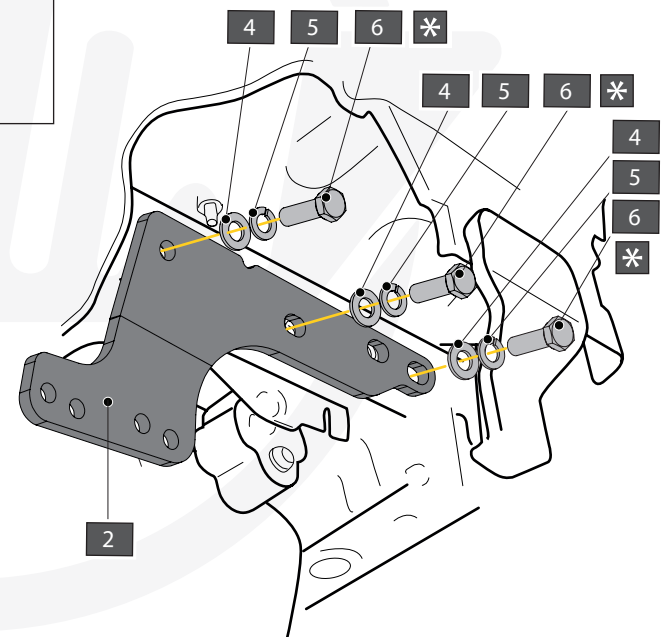
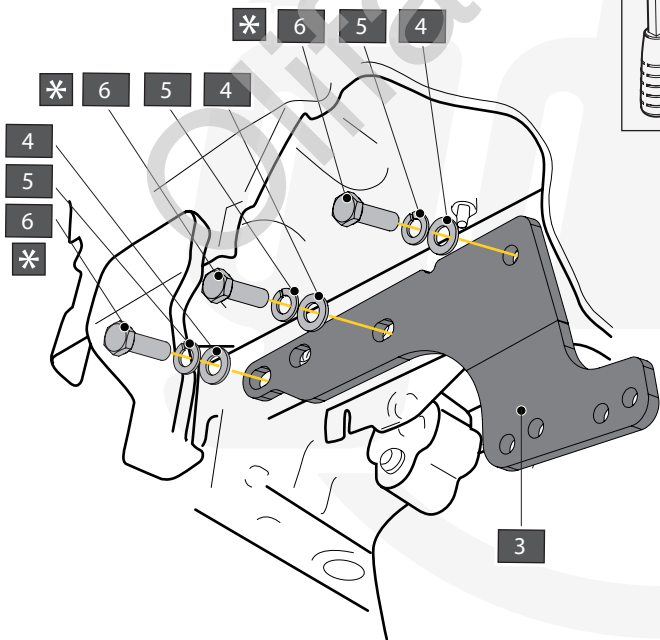
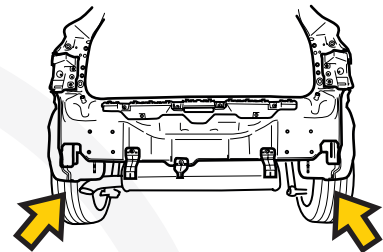
93,0 Nm

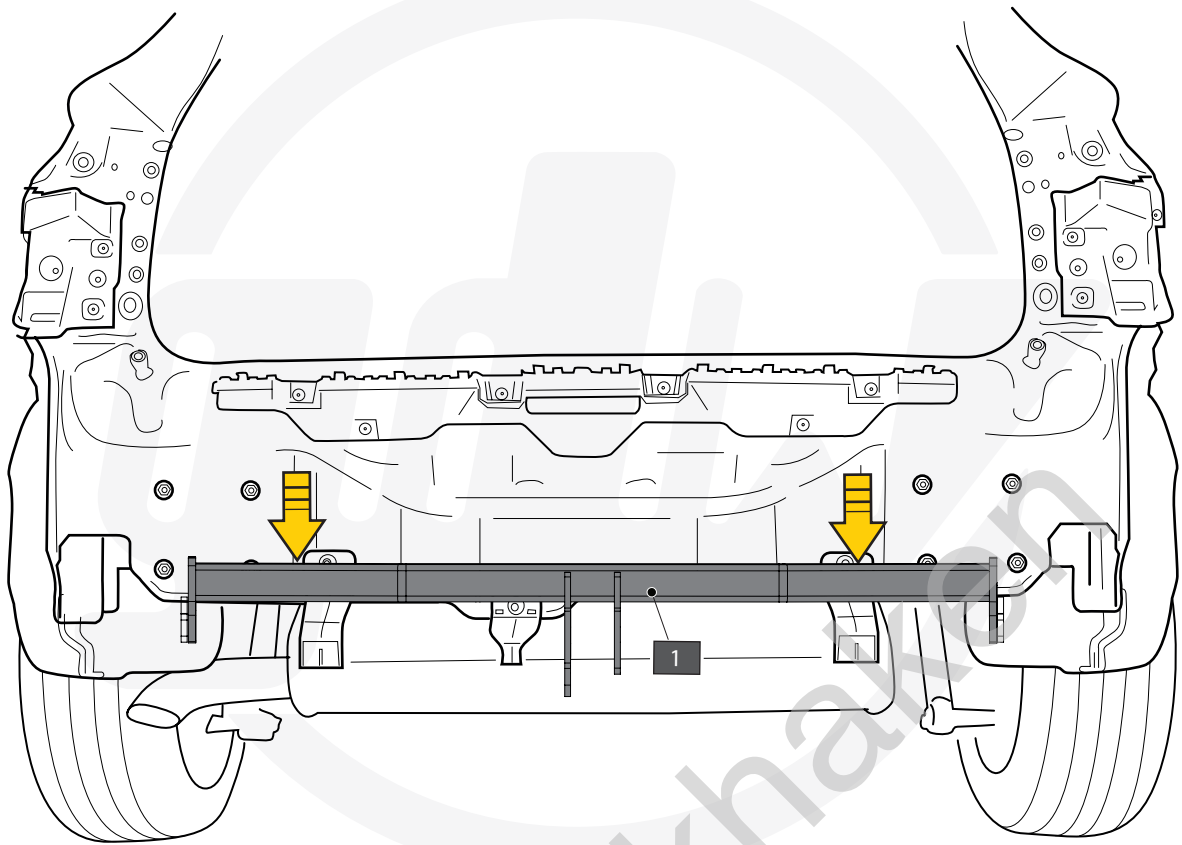


# ESPACE

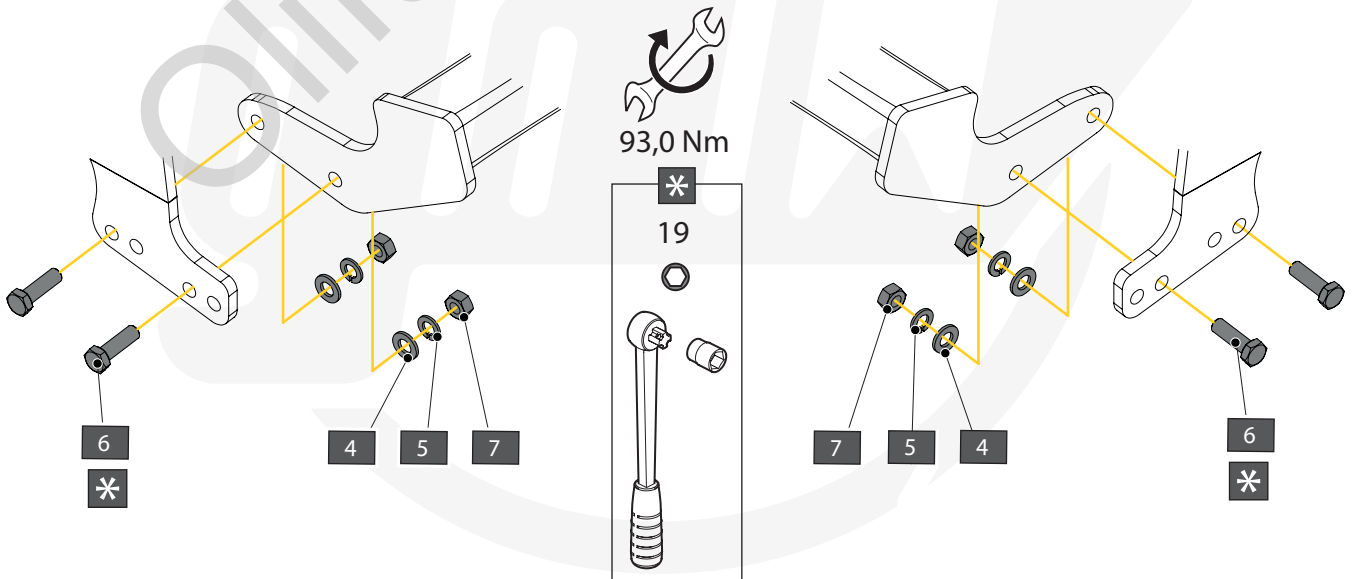
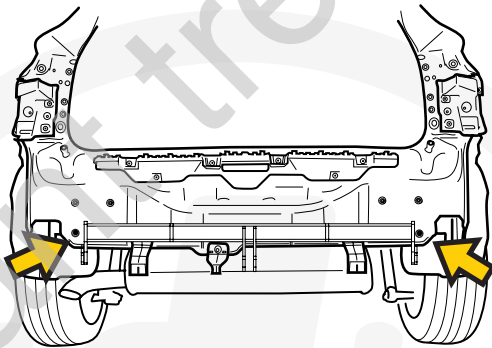


93,0 Nm

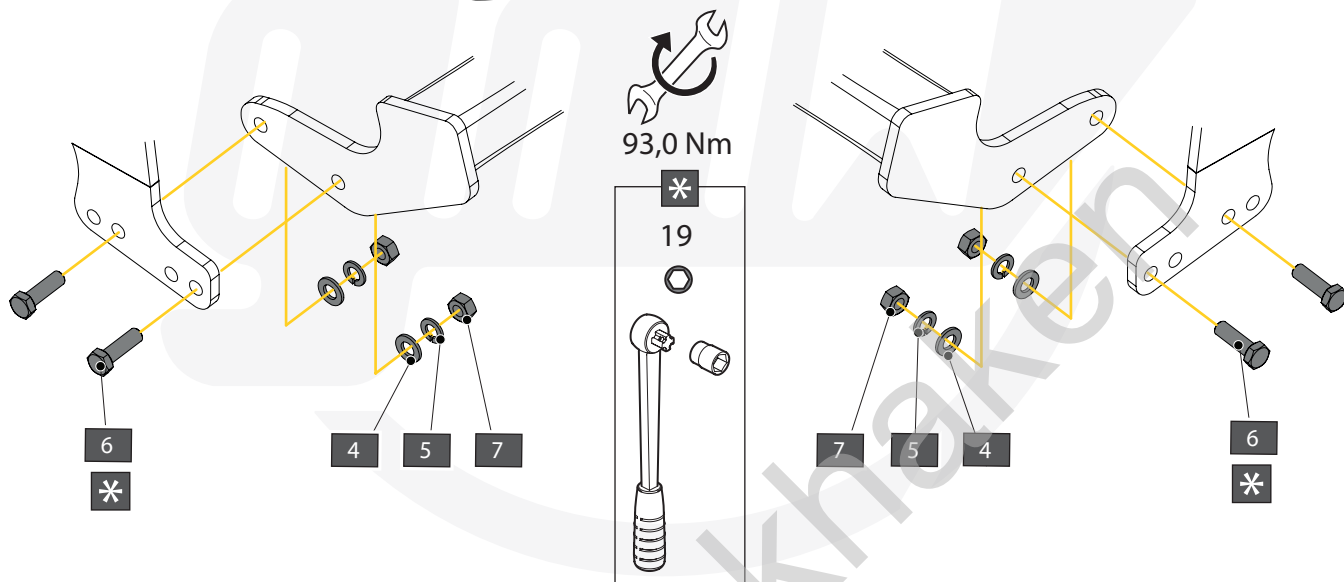
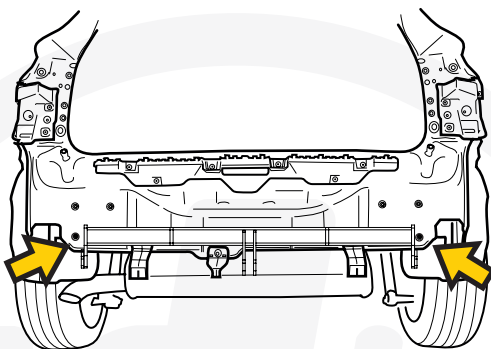




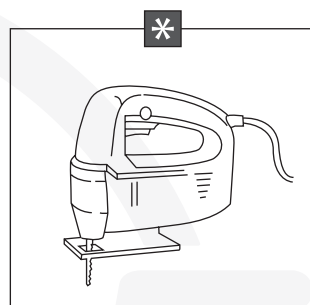
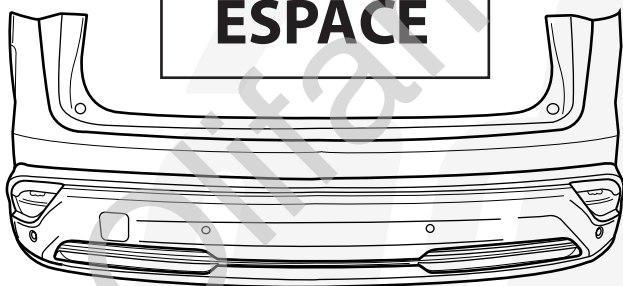
**AUSTRAL**



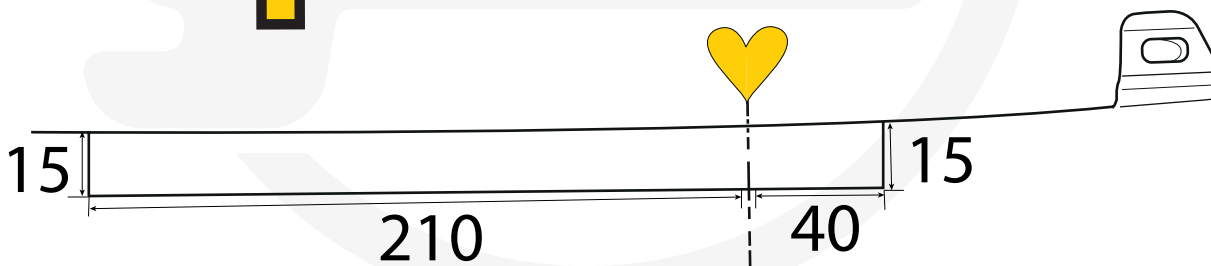
**ESPACE**



**ESPACE**



**! KICKSENSOR**





A		X1	GDW REF. 908.101
B		X1	DIN985-M6
C		X2	Ø15,4 X 6,2 X 1,6 (NYLON)
D		X1	GDW REF. 718.16.002
E		X1	GDW REF. 718.16.003
F		X1	GDW REF. 908.094
G		X1	DIN933-M6 X 30

A		X1	GDW REF. 912.003
B		X3	DIN931-M12X110-8.8
C		X3	DIN128A-M12
D		X6	DIN125A-M12
E		X3	DIN934-M12

