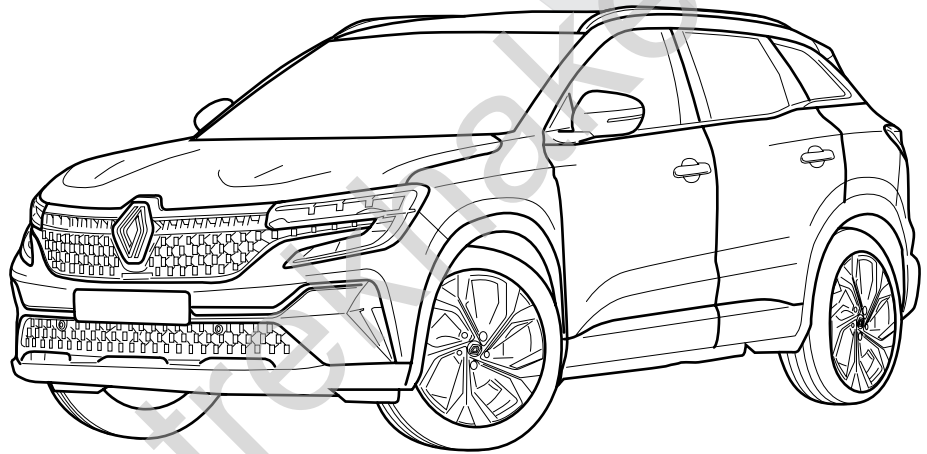




## Renault Austral

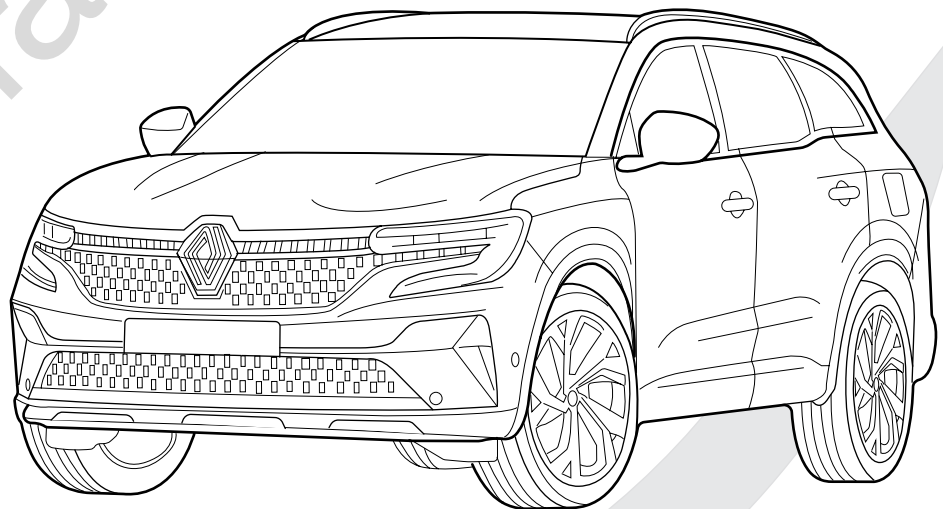
07/'22-

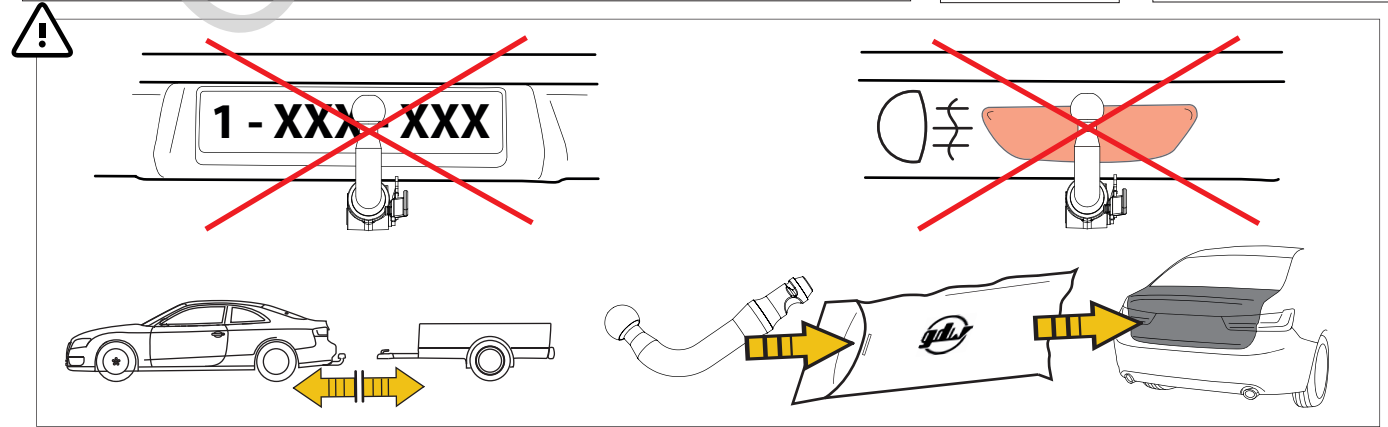
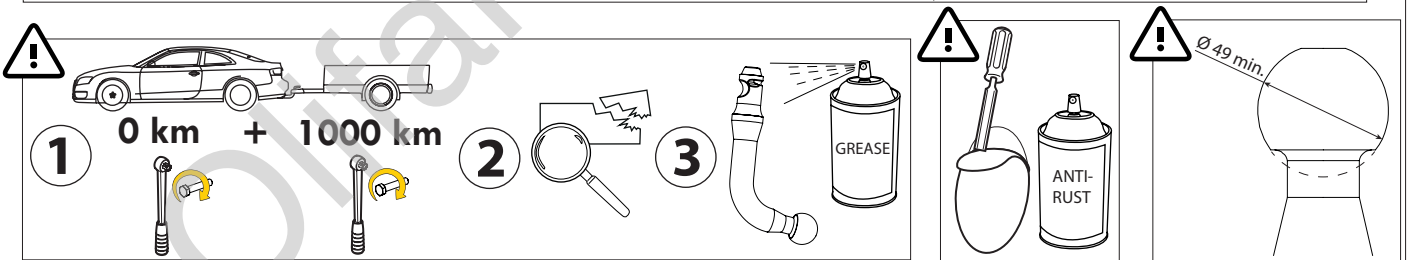
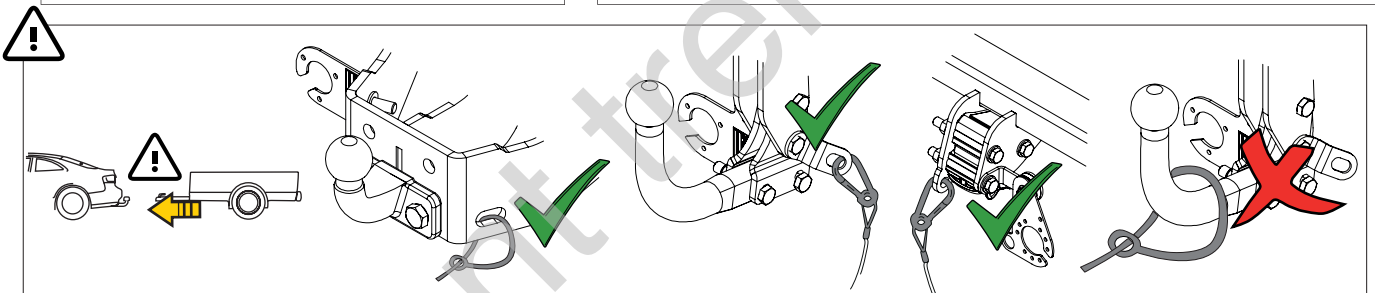
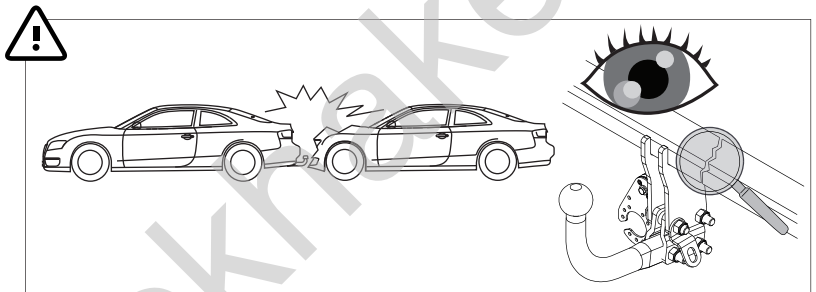
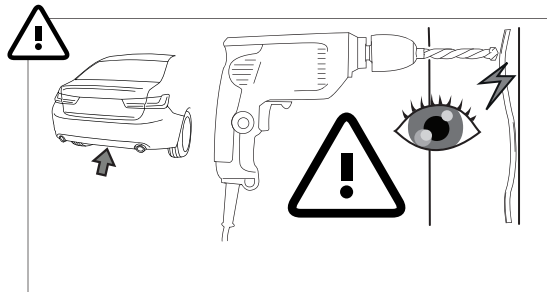
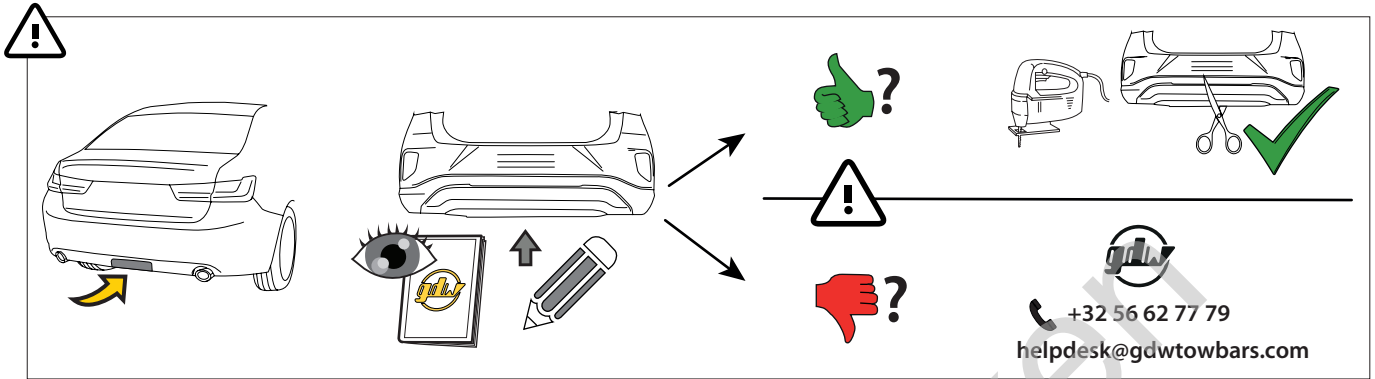
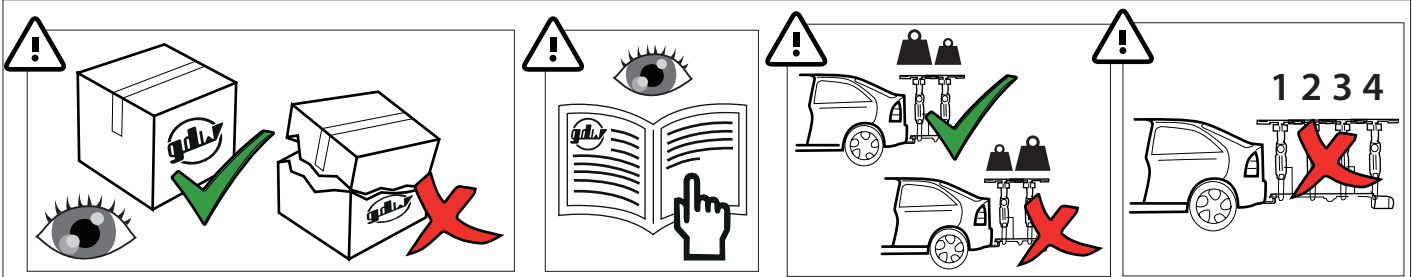
- ✓ FULL HYBRID
- ✓ MILD HYBRID
- ✓ KICKSENSOR (HANDSFREE TAILGATE)



## Renault Espace VI

05/'23-





MADE BY



**D 11,50**

**F**

**E6**

BELGIUM

**S 85**

EC-N°

55R-02 1812

REF N°

2796

SERIAL N°

XXXX

DESCRIPTION

Renault Austral 07/'22-, Renault Espace VI 05/'23-



$$D = \frac{\text{max kg (car)} \times \text{max kg (trailer)}}{\text{max kg (car)} + \text{max kg (trailer)}} \times 0.00981 \leq 11,50 \text{ kN}$$

$$S = \text{max kg (hook)} \leq 85 \text{ kg}$$

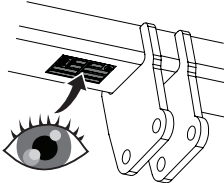
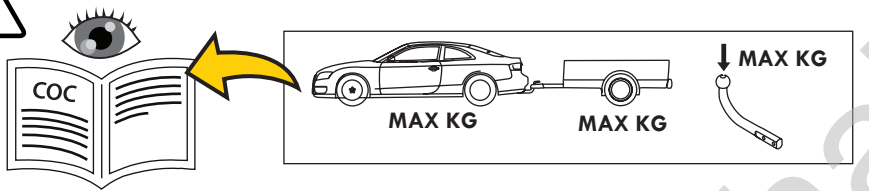
$$S = \text{max kg (trailer)} \leq 2100 \text{ kg}$$



See the Certificate Of Conformity (COC) of your vehicle or contact your dealer to verify the max. trailer weight of your car!

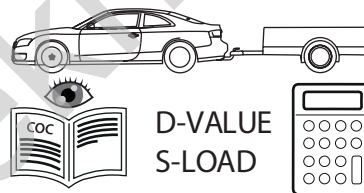


See the user manual of the vehicle for correct use of bicycle carriers!



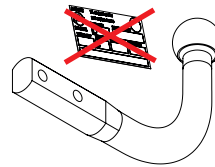
MADE BY	<b>D</b>	EC-N°	<b>E6</b>
BELGIUM	<b>S</b>	SERIAL N°	
REF. N°			
DESCRIPTION			

≥



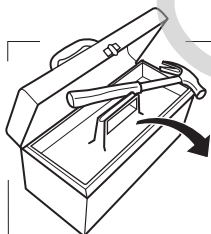
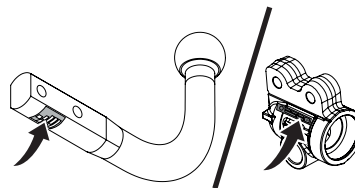
MADE BY	<b>D</b>	EC-N°	<b>E6</b>
BELGIUM	<b>S</b>	SERIAL N°	
REF. N°			
DESCRIPTION			

A50-X?

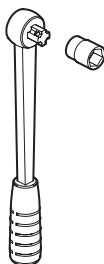


F?

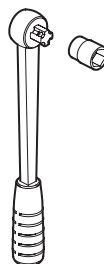
+



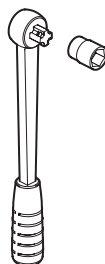
10



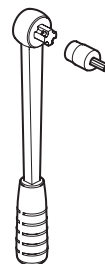
13



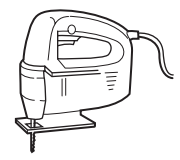
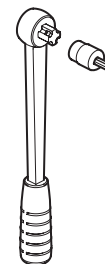
19

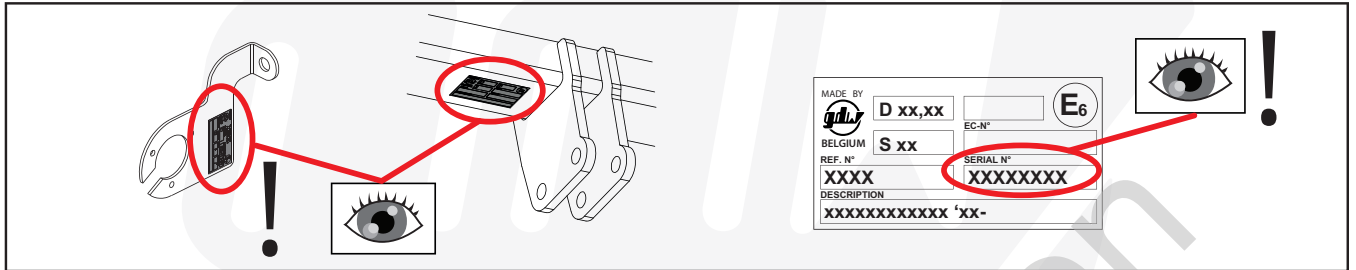


TX20



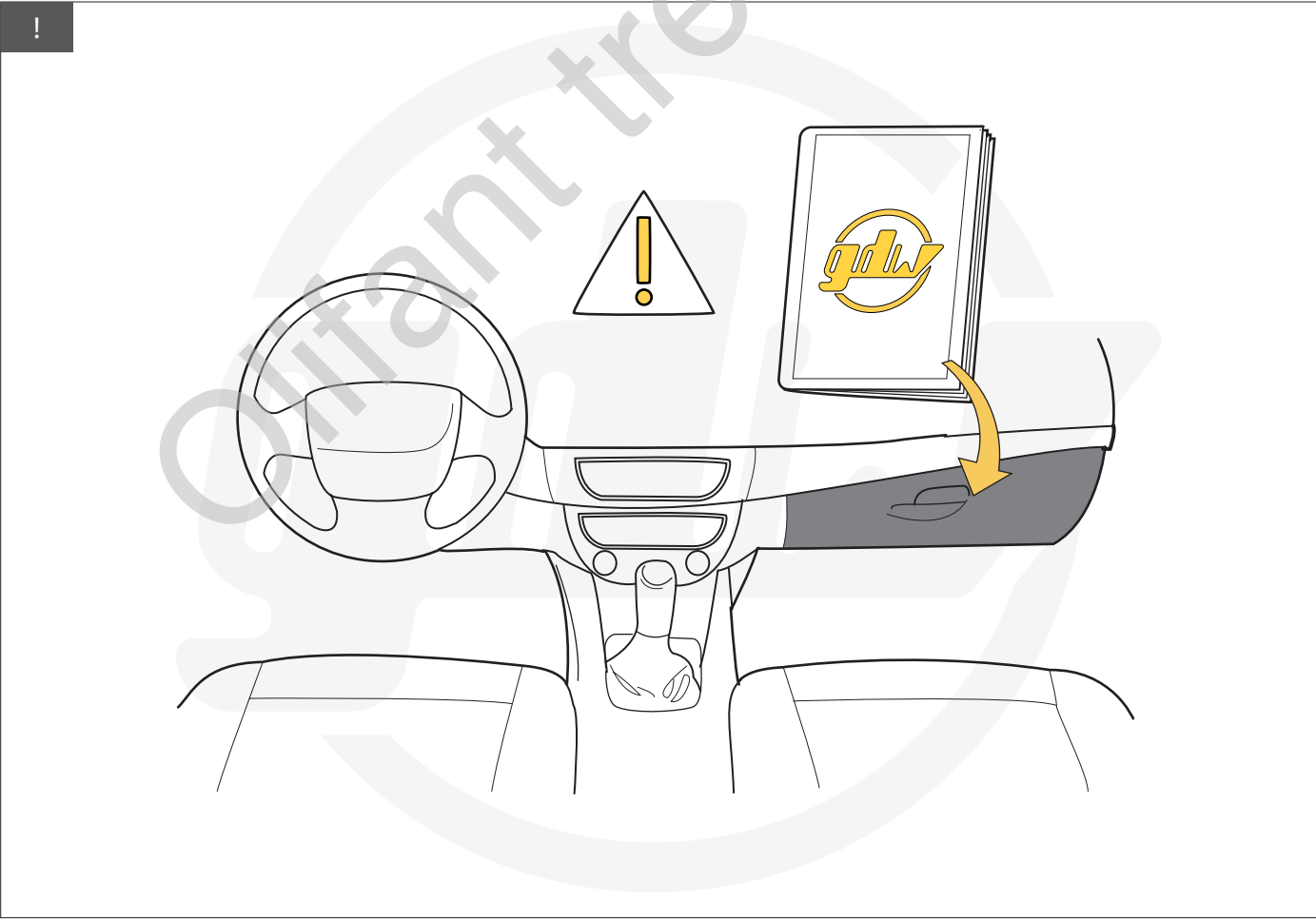
TX30

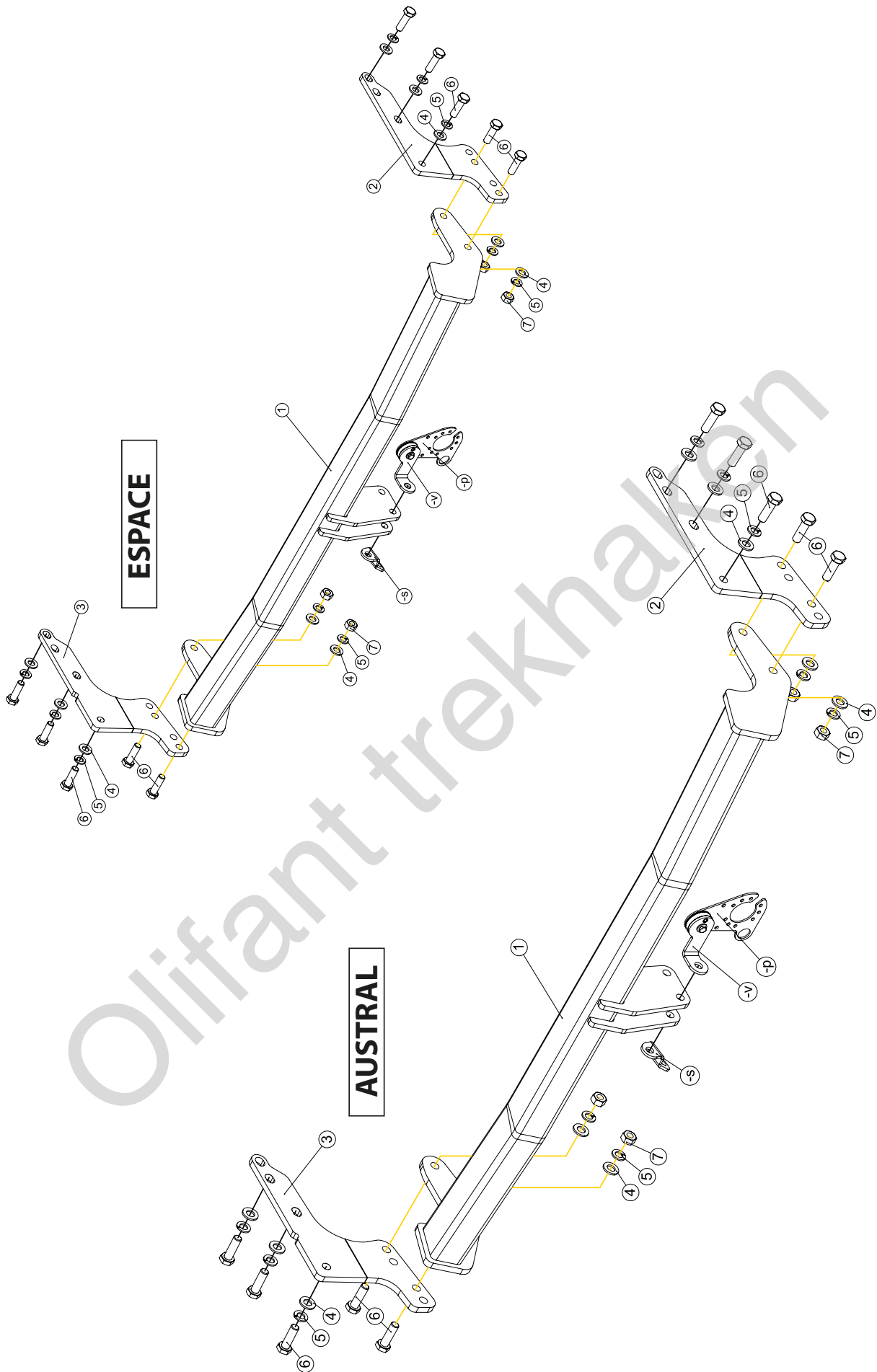


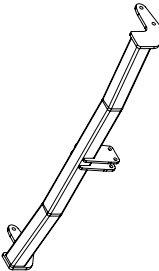
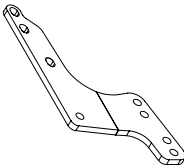
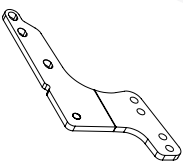












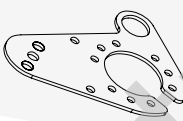


**helpdesk@gdwtowbars.com**  
**+32 56 62 77 79**

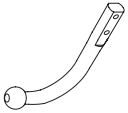
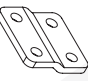

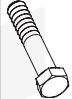

Monday	08:00 - 12:00	12:30 - 16:30
Tuesday	08:00 - 12:00	12:30 - 16:30
Wednesday	08:00 - 12:00	12:30 - 16:30
Thursday	08:00 - 12:00	12:30 - 16:30
Friday	08:00 - 12:00	12:30 - 15:30






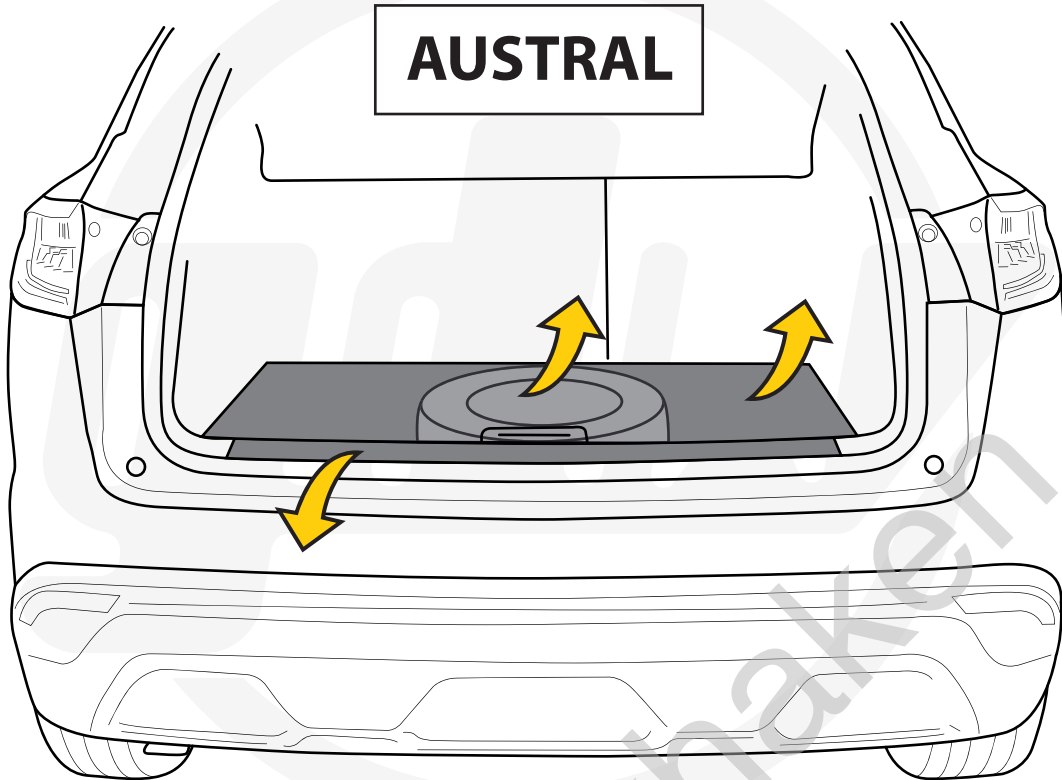
1		X1	GDW REF. 2796
2		X1	GDW REF. 2
3		X1	GDW REF. 3
4		X10	DIN125A-13X24X2.5
5		X10	GROWER VSK-M12
6		X10	DIN933-M12X40
7		X4	DIN934-M12
-5		X1	GDW REF. 900.053

-P		X1	GDW REF. P47
└		X1	DIN985-M6
└		X2	6,2 X 15,4 X 1,6 (NYLON)
└		X1	GDW REF. 718.16.002
└		X1	GDW REF. 718.16.003
└		X1	GDW REF. 908.094
└		X1	DIN933-M6 X 30
└		X1	GDW REF. 908.102

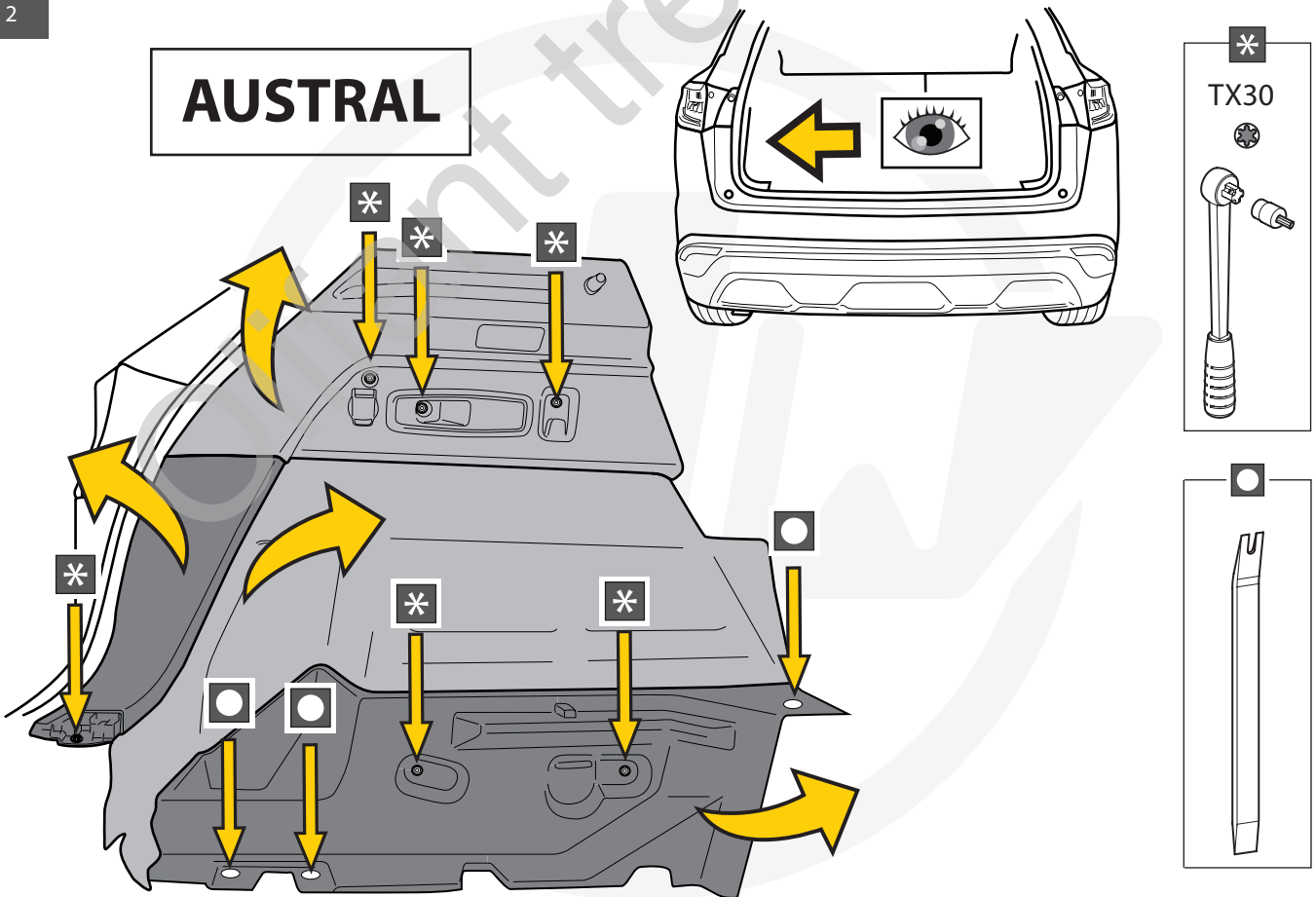
Geleverd met - Livré avec - Delivered with Geliefert mit - Elementos adjuntos-Leveres med		X1	GDW REF. 944.H006
		X2	GDW REF. 900.008
		X2	GDW REF. 900.011 Ø 21.3 X 11.7
		X4	DIN931-M12 X 70
		X4	DIN985-M12

<b>OPTION T36</b>	
	X1
KIT T36-2796	

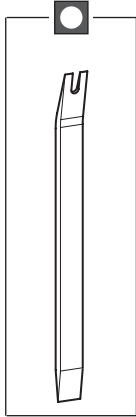
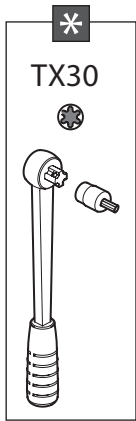
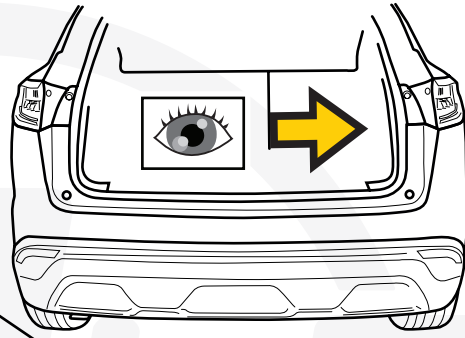
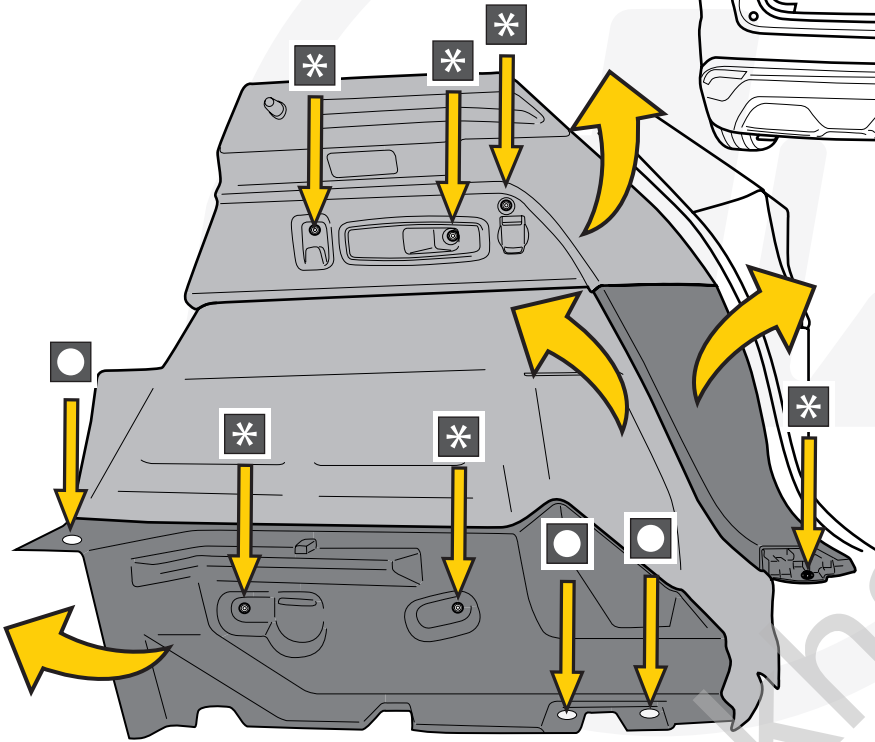
1



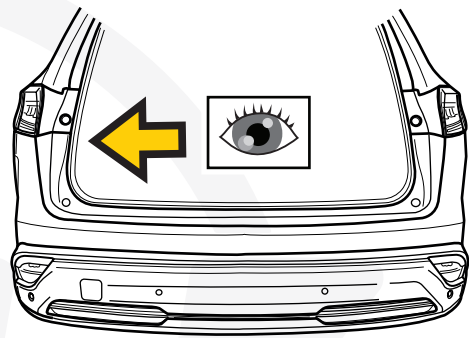
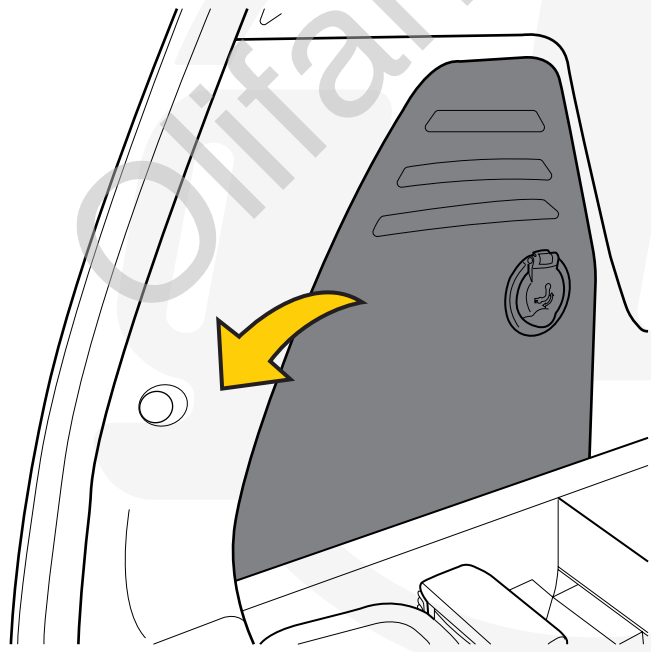
2



# AUSTRAL

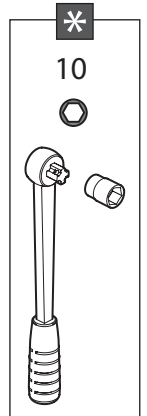
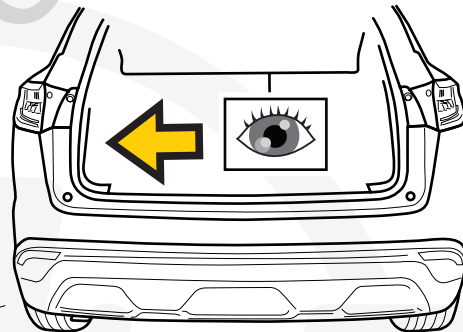
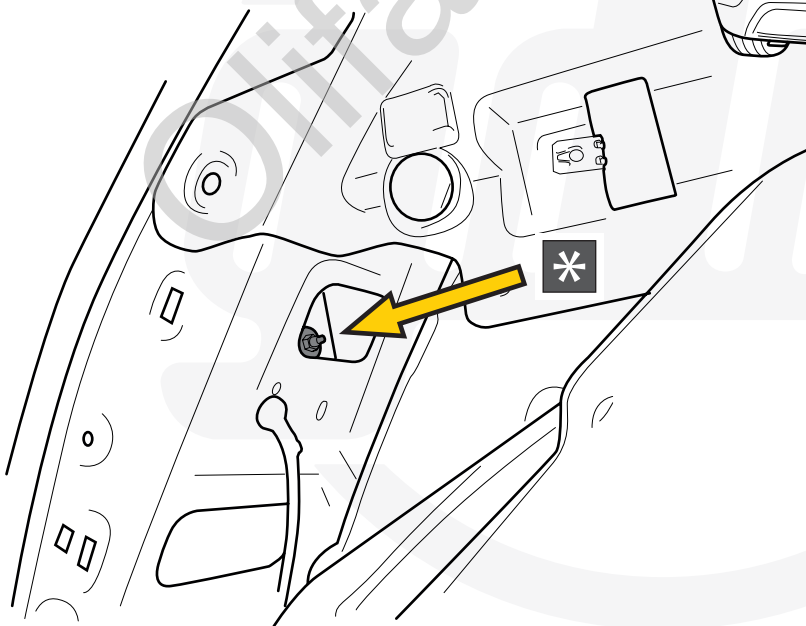
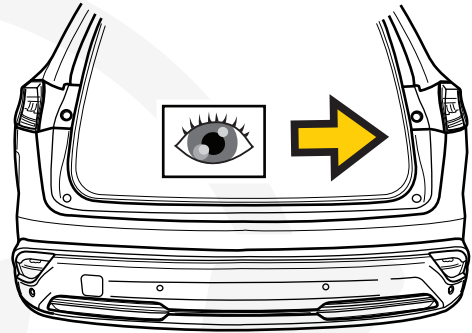
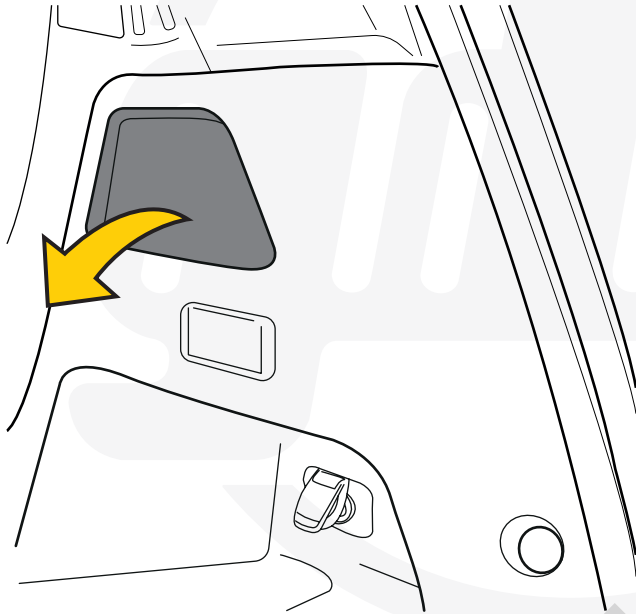


# ESPACE

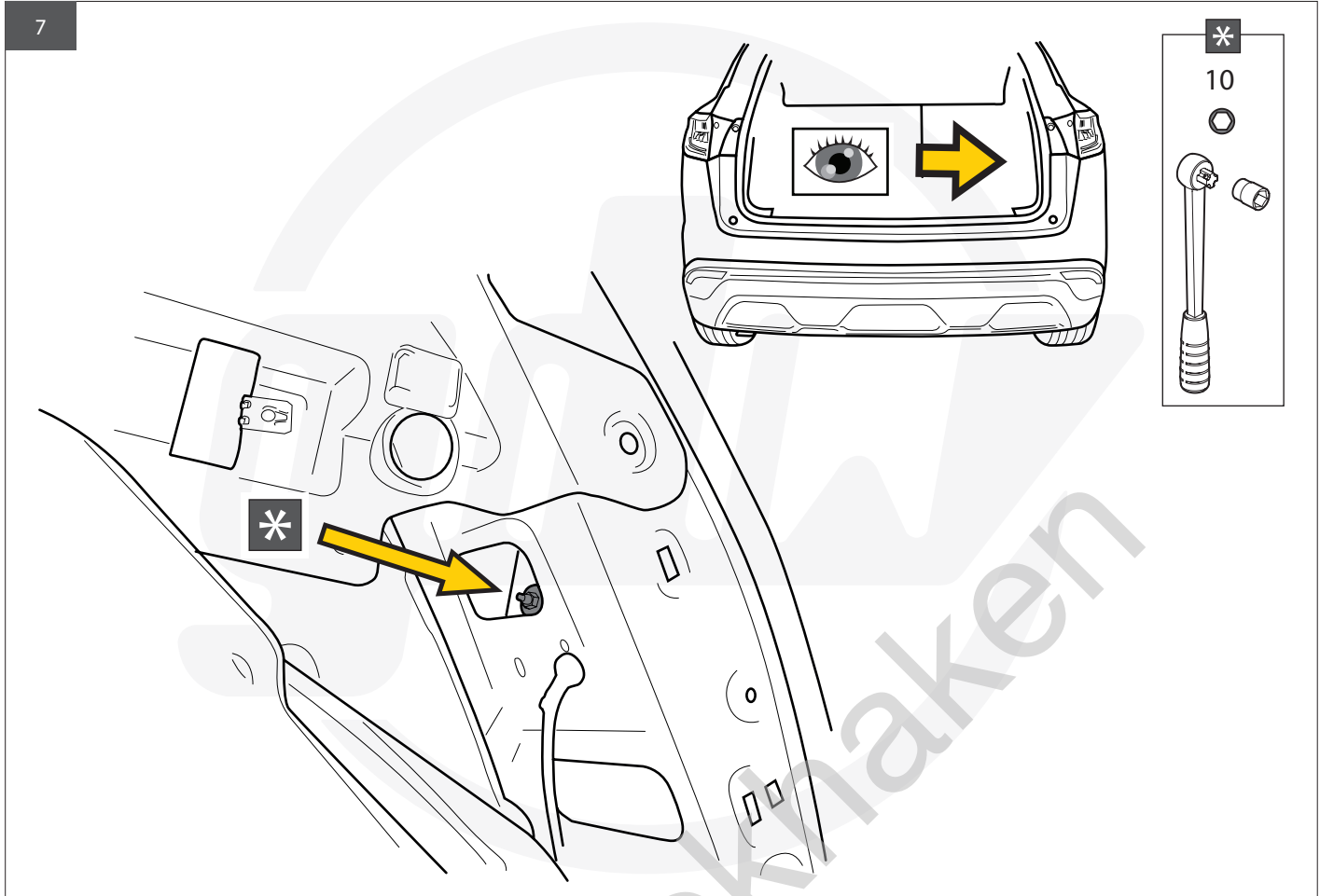




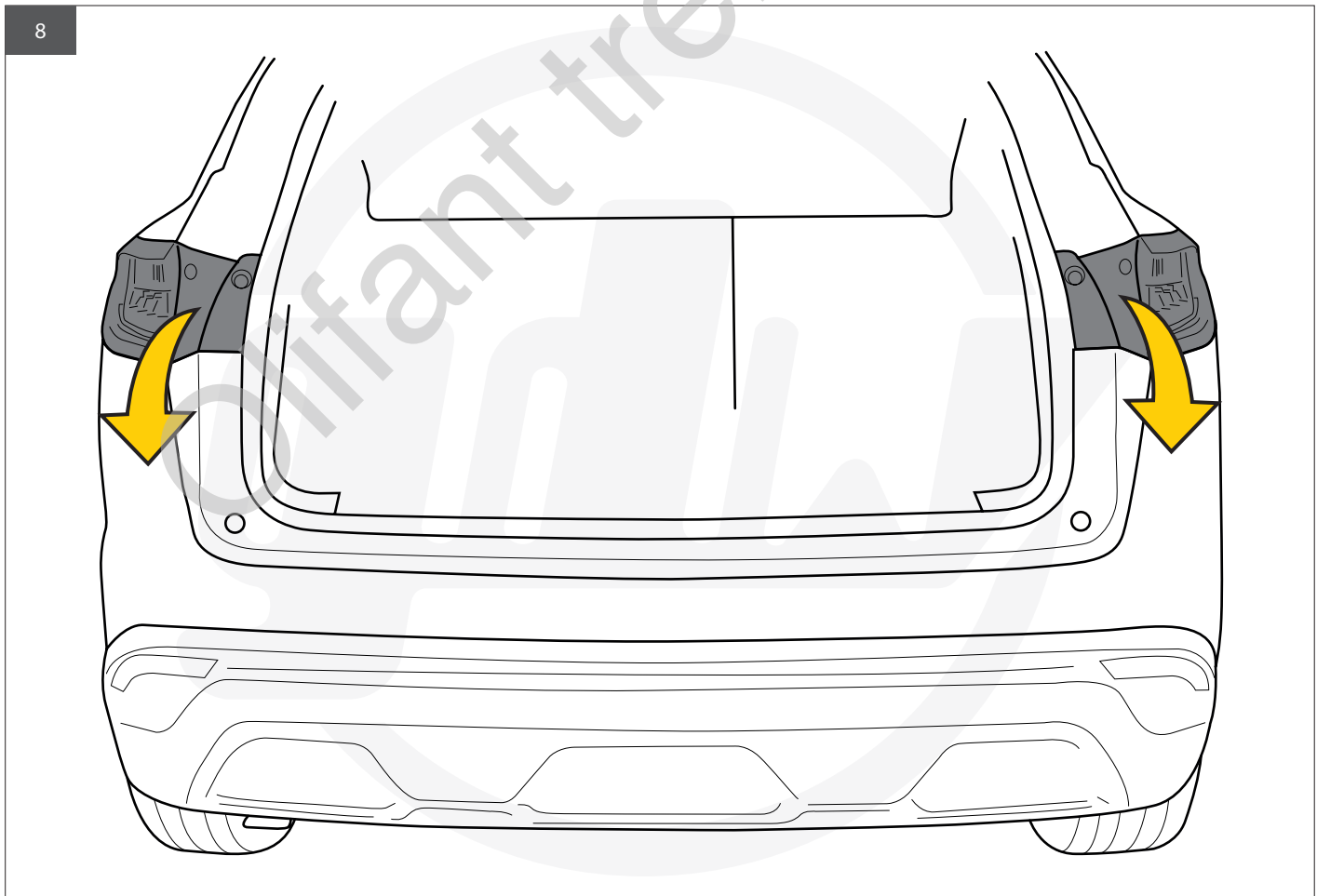
# ESPACE

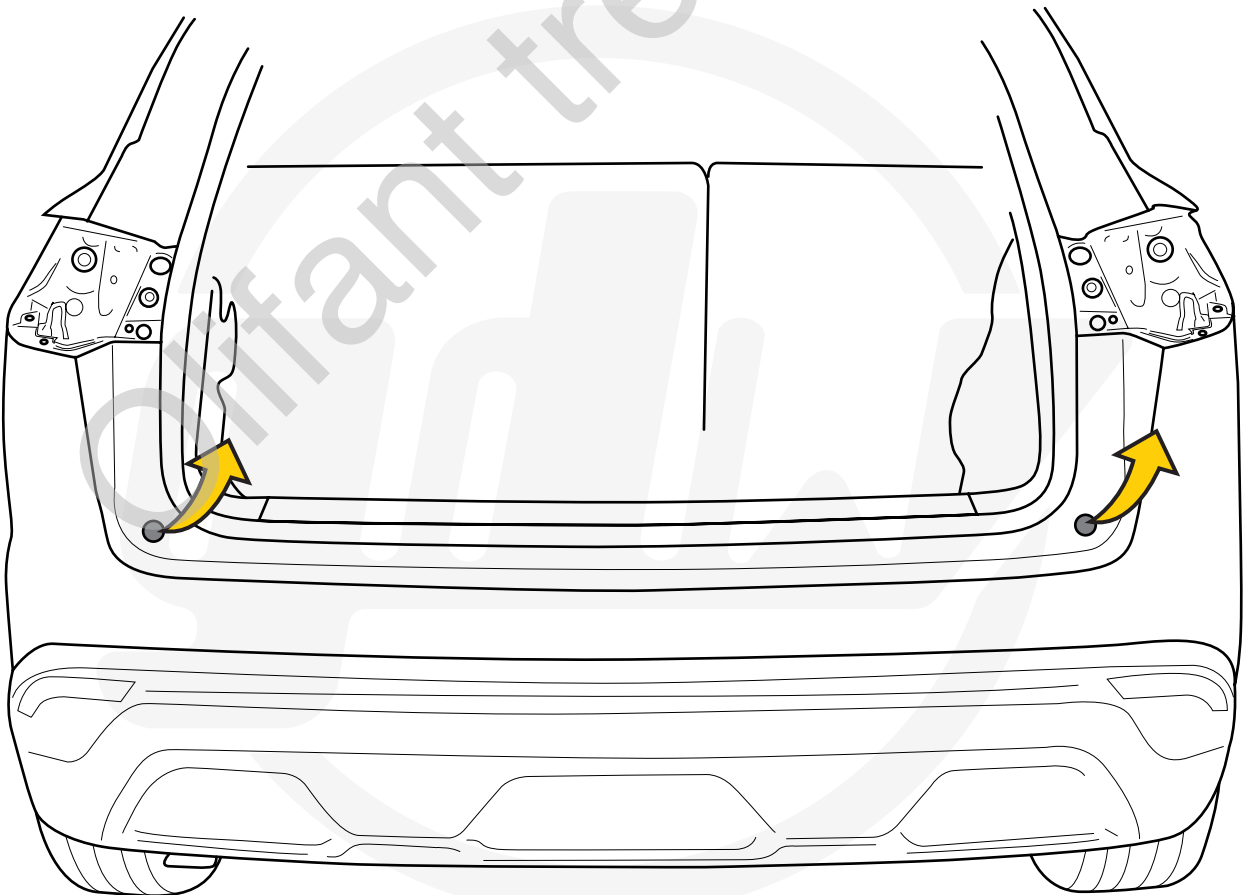
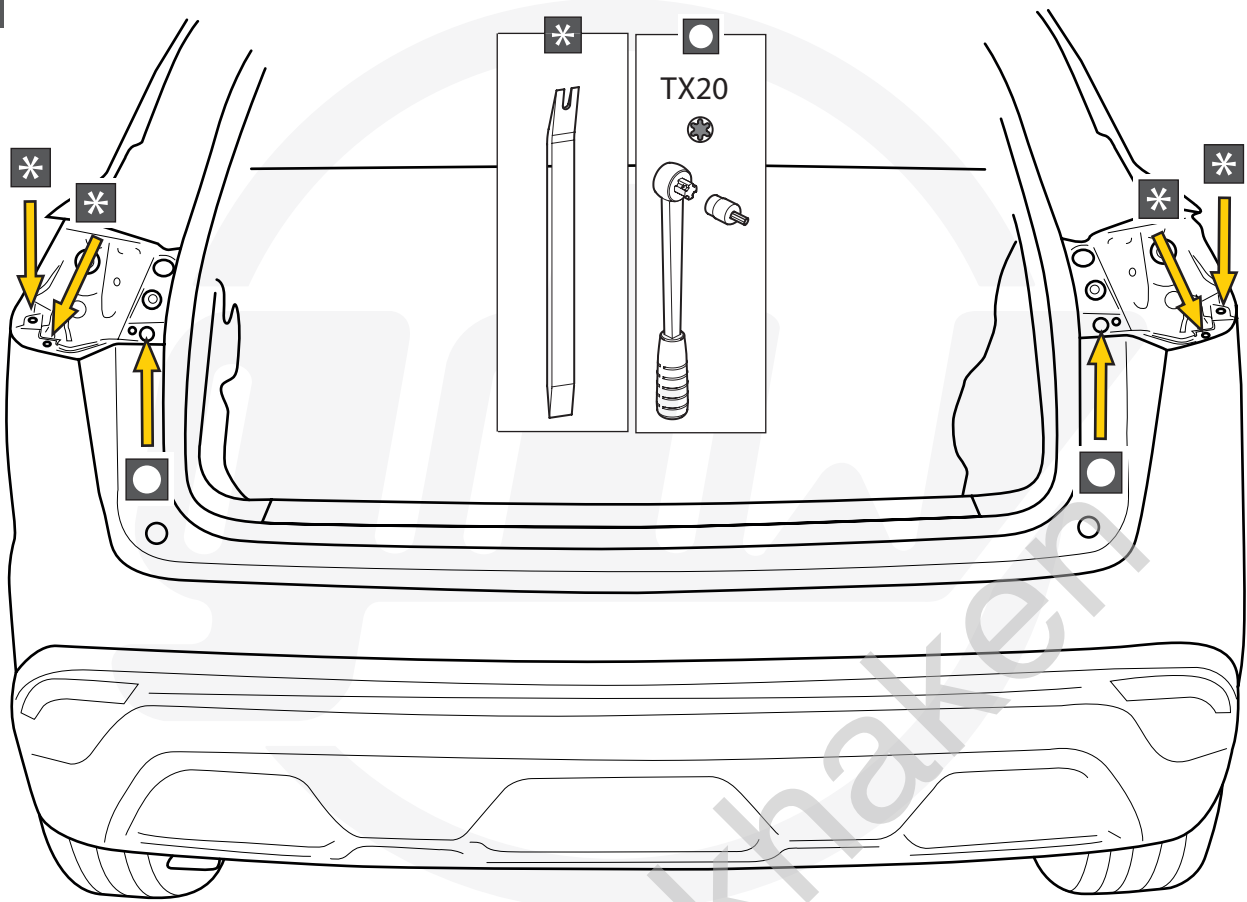


7

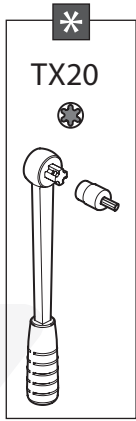
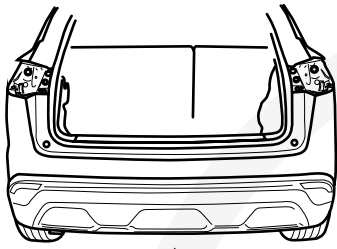


8

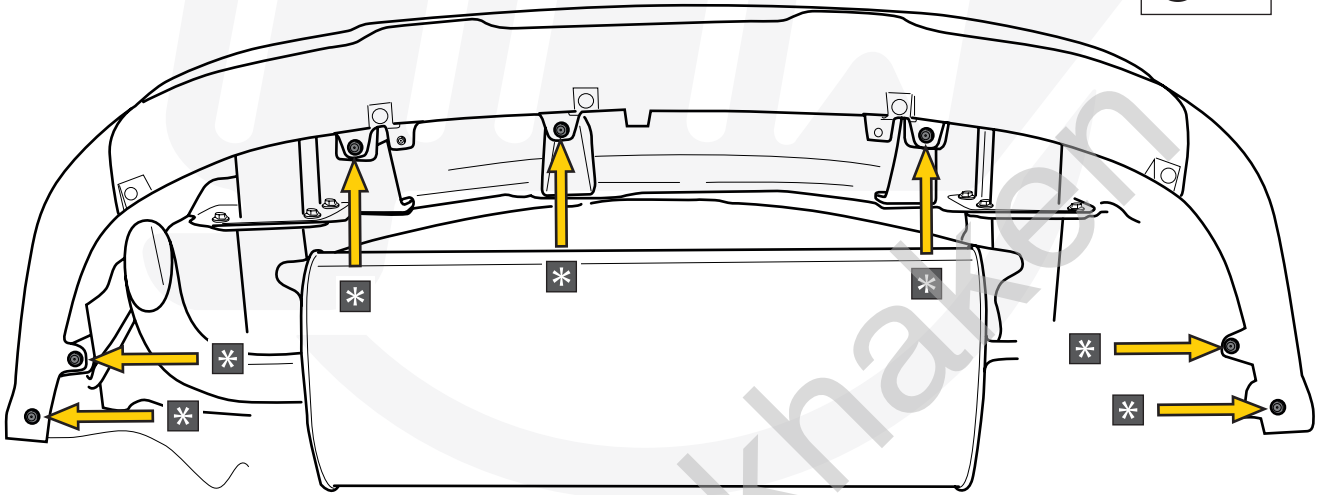




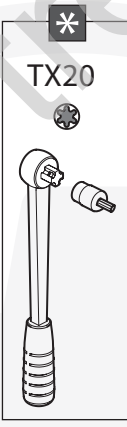
11



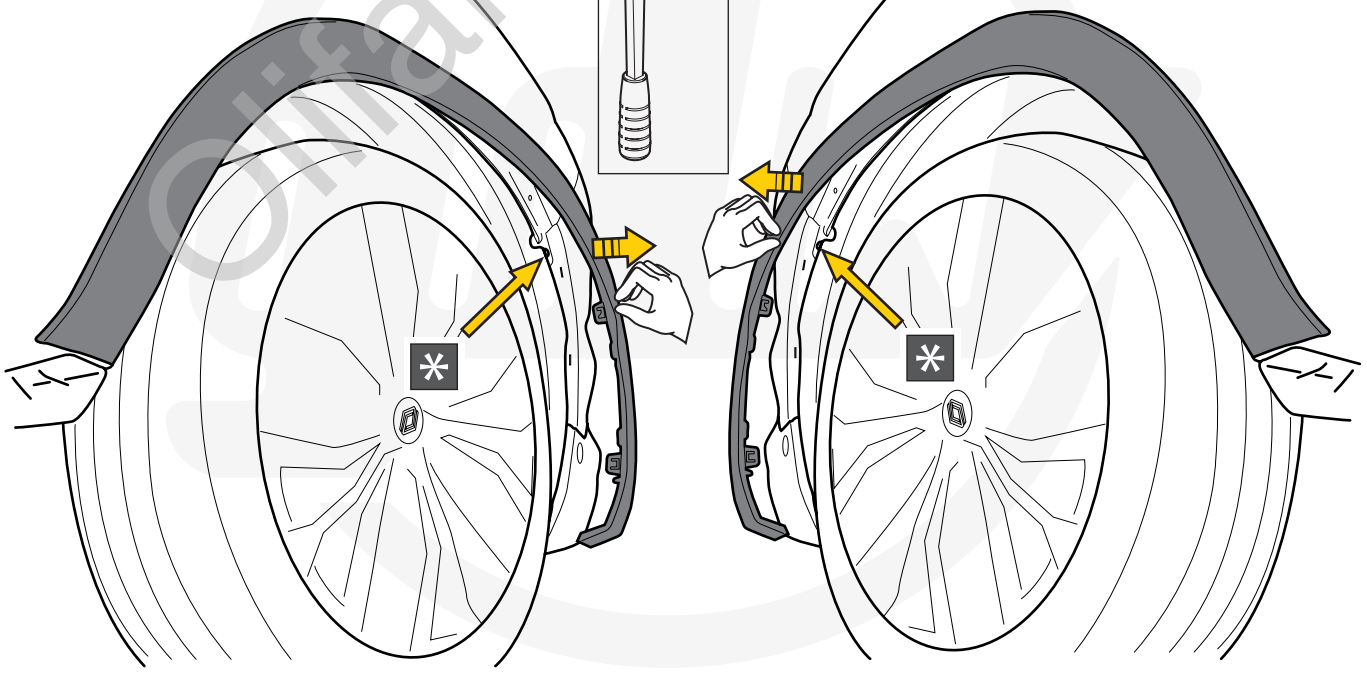
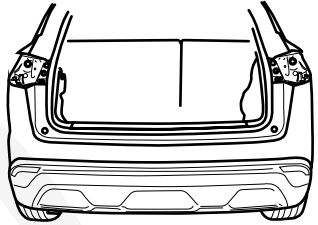
TX20

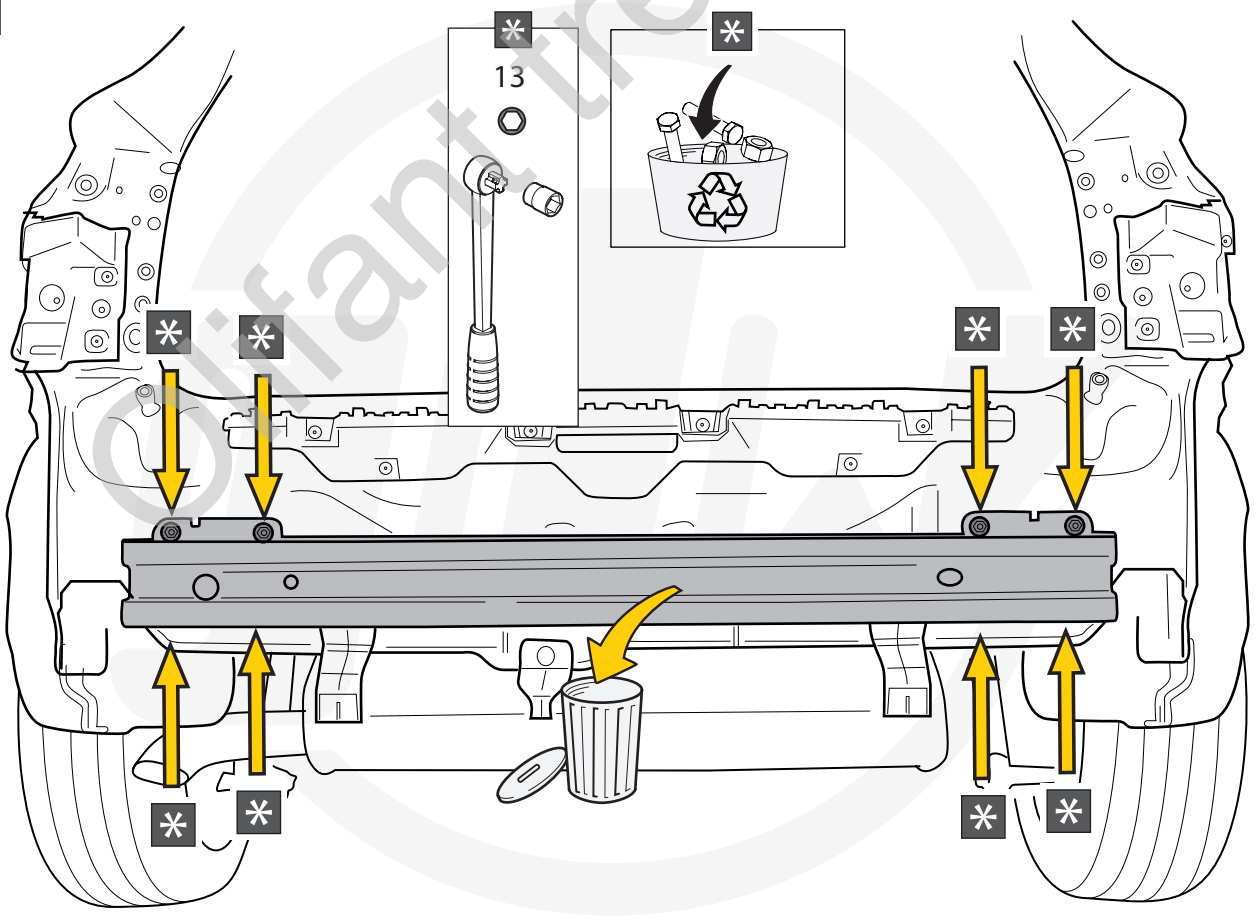
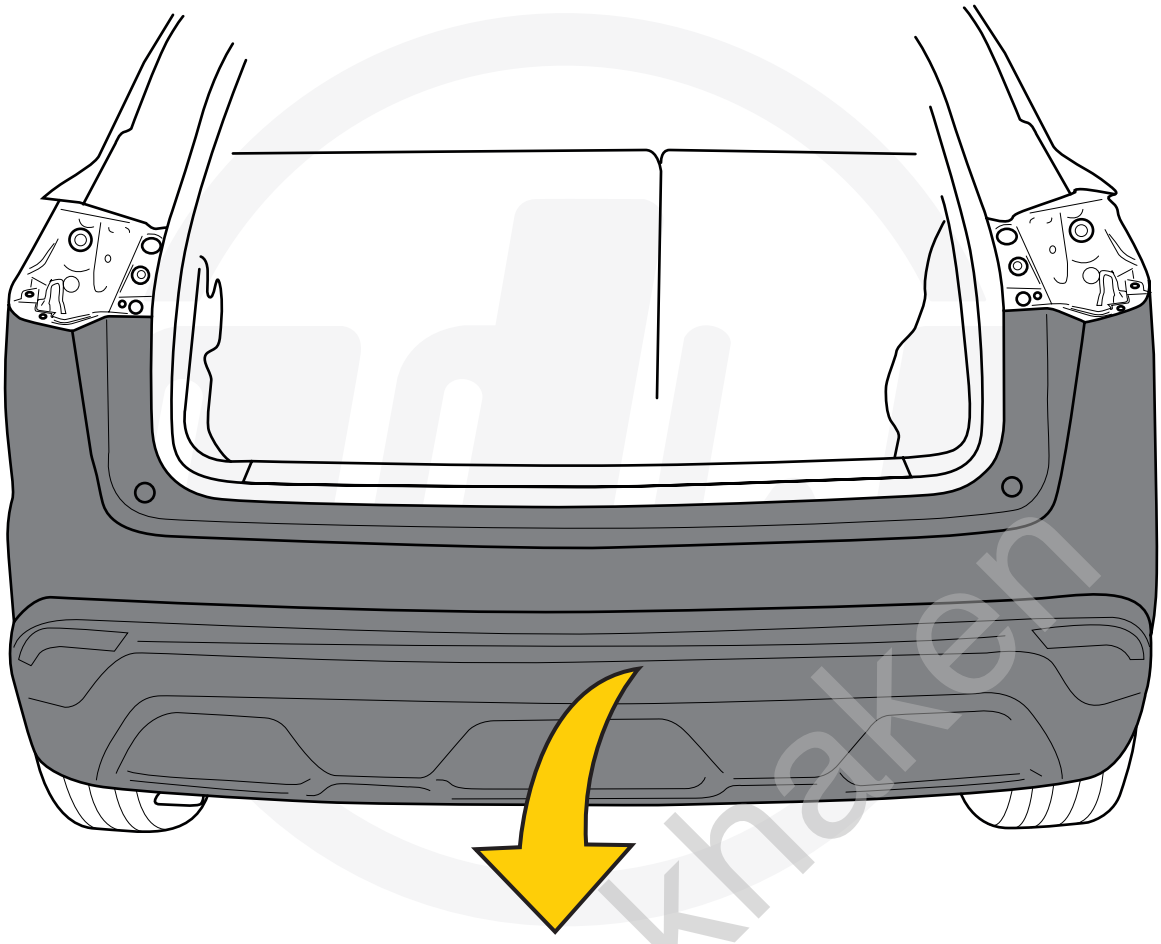


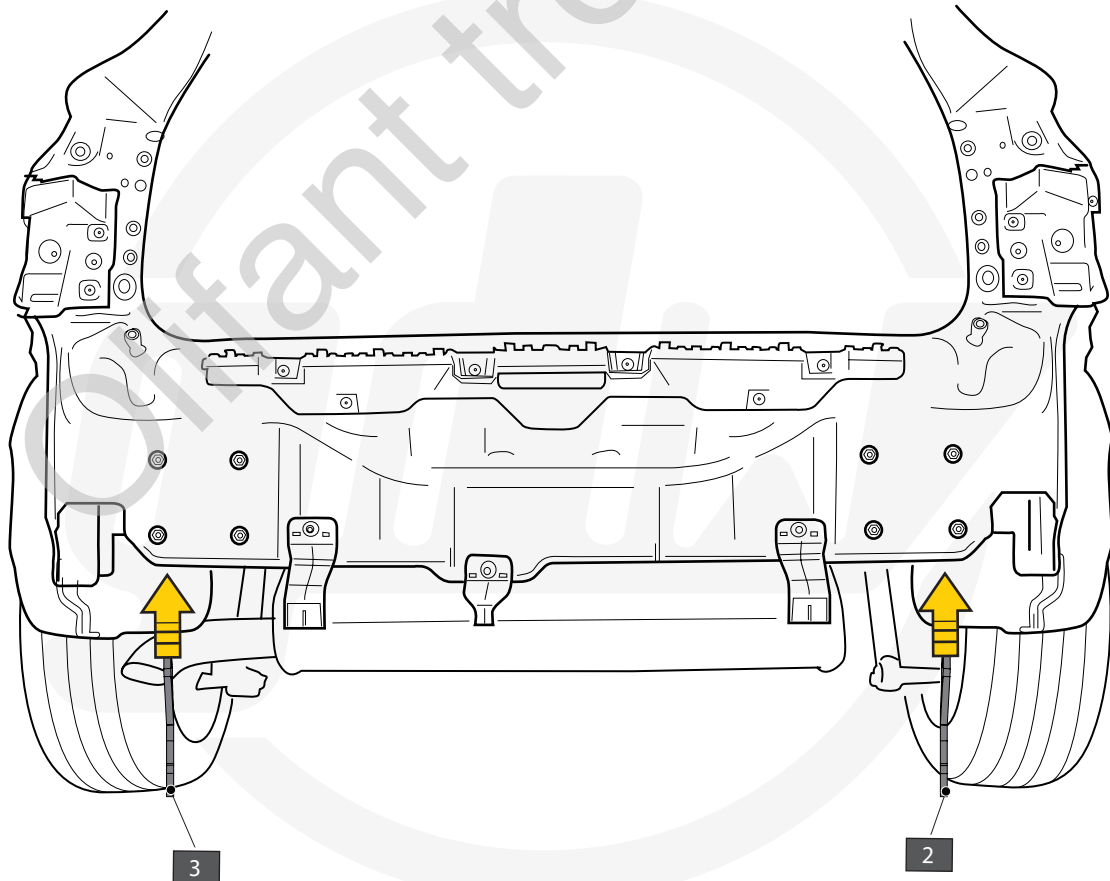
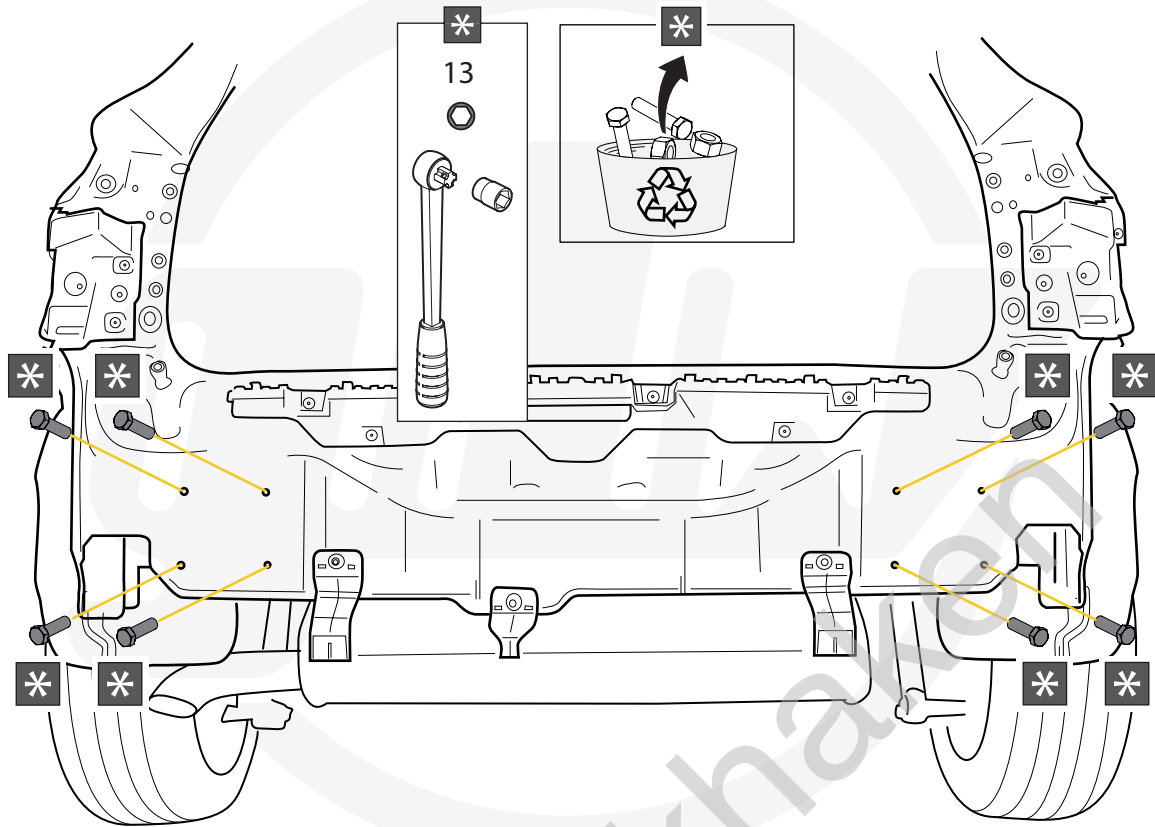
12



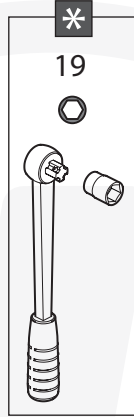
TX20



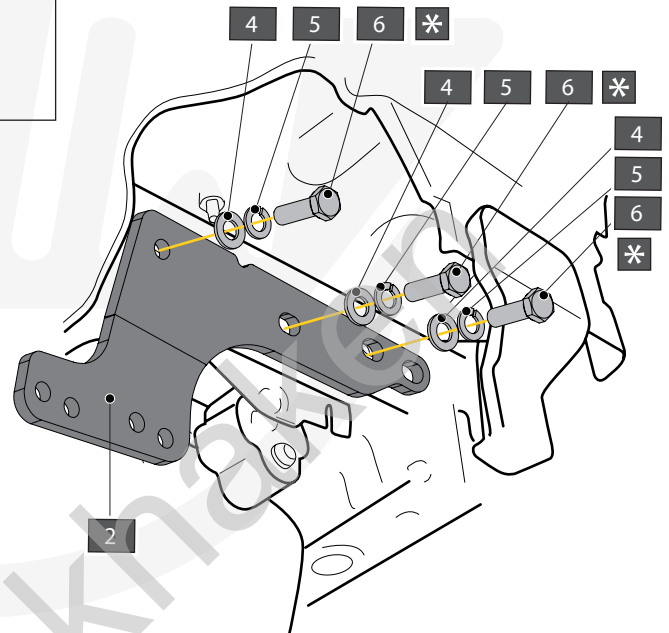
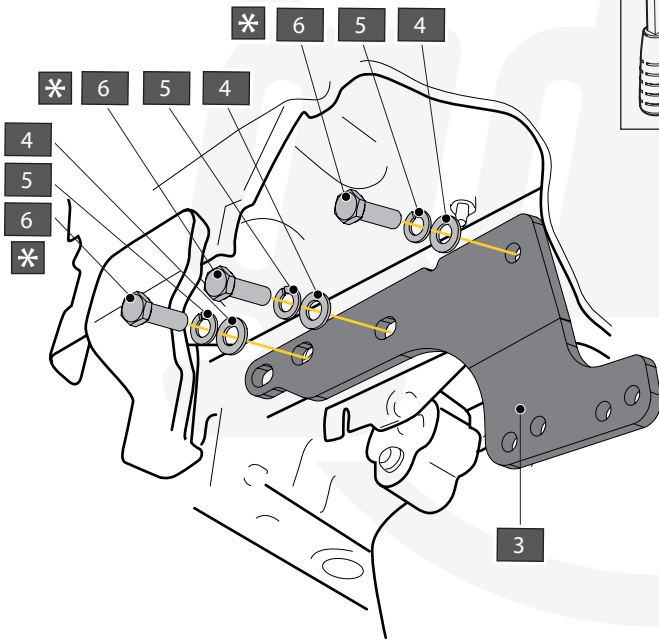
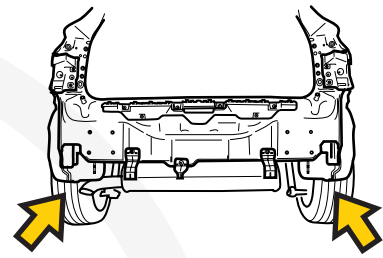




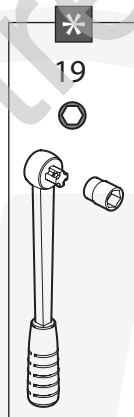
# AUSTRAL



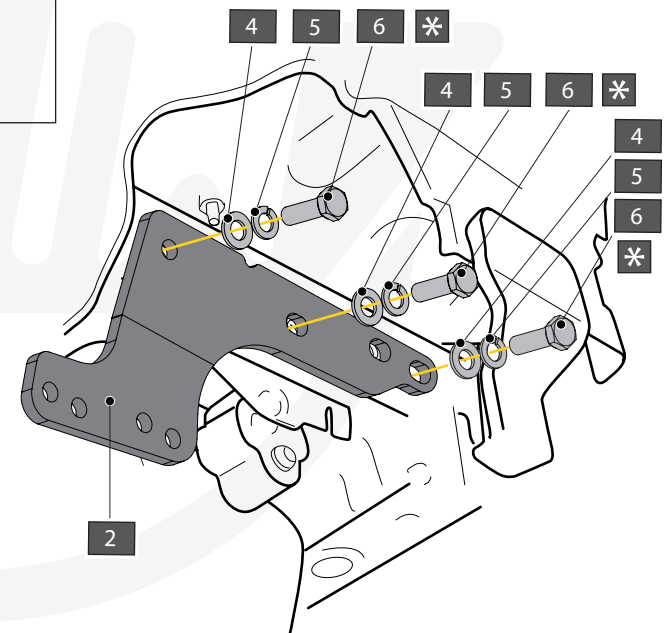
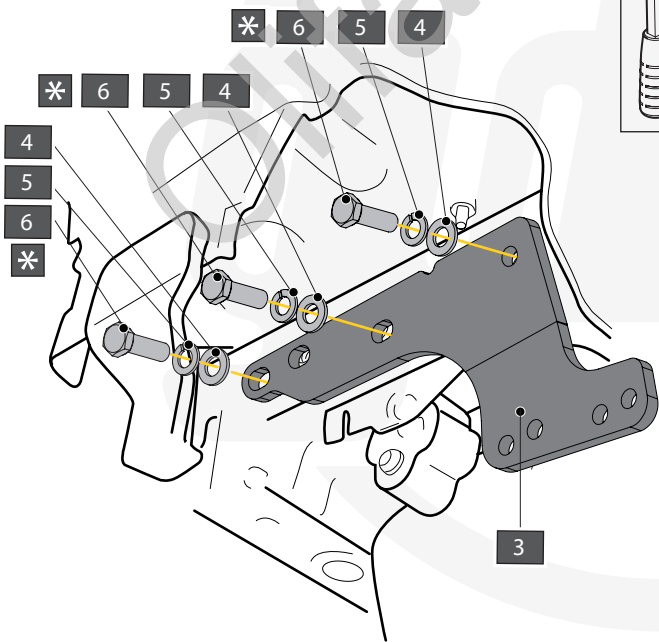
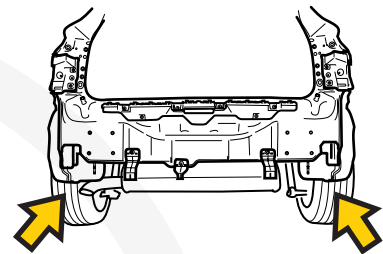
93,0 Nm

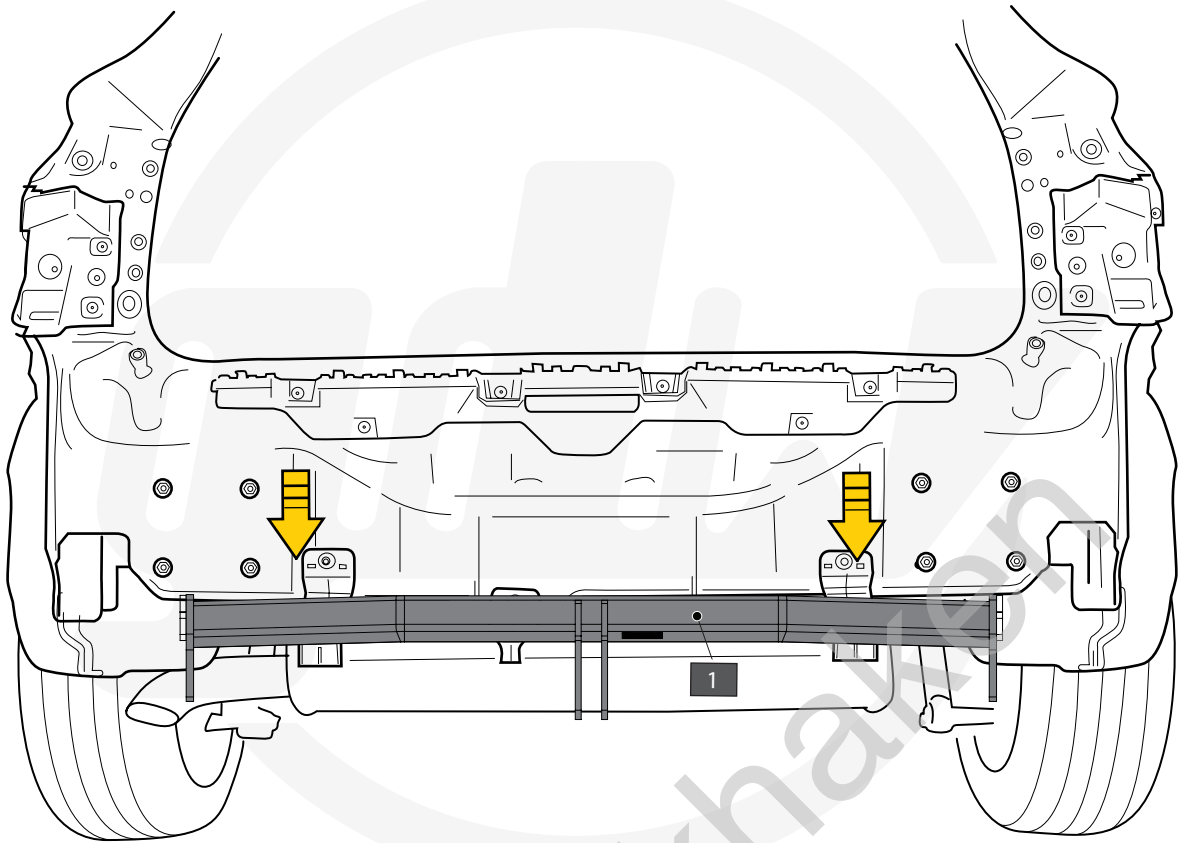


# ESPACE

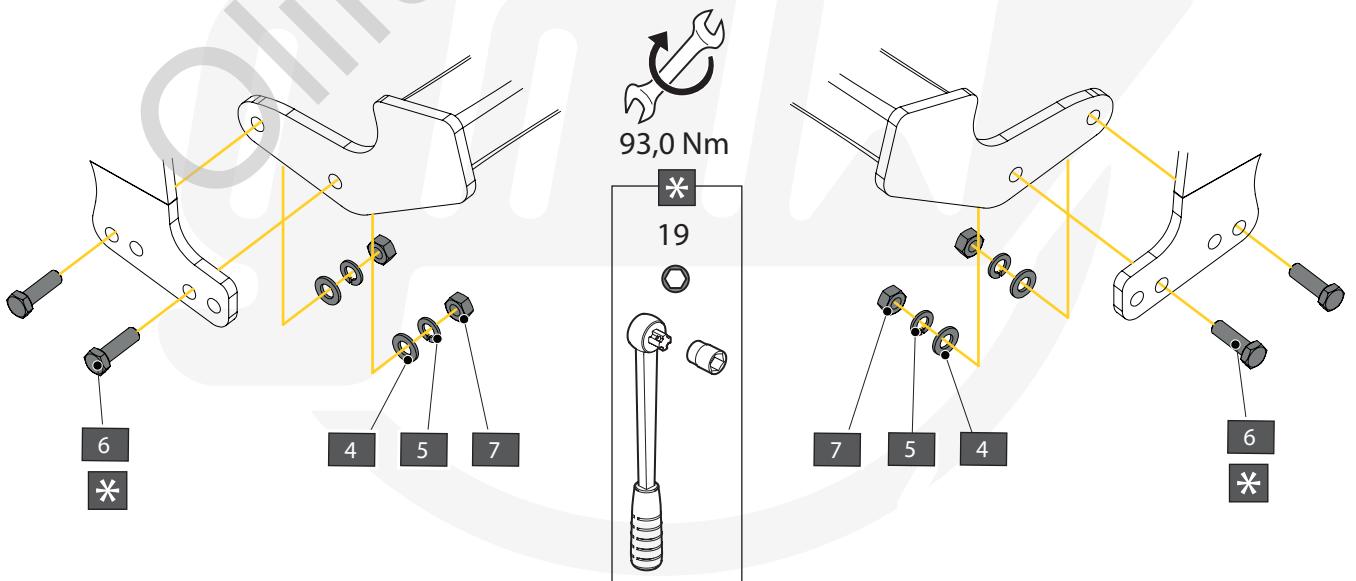
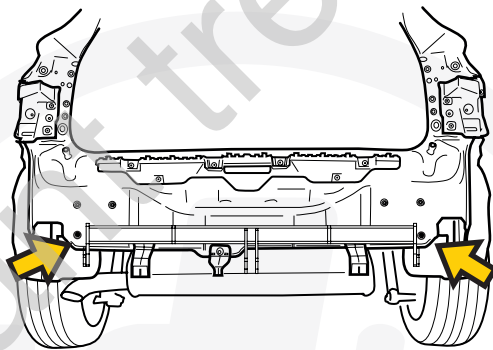


93,0 Nm



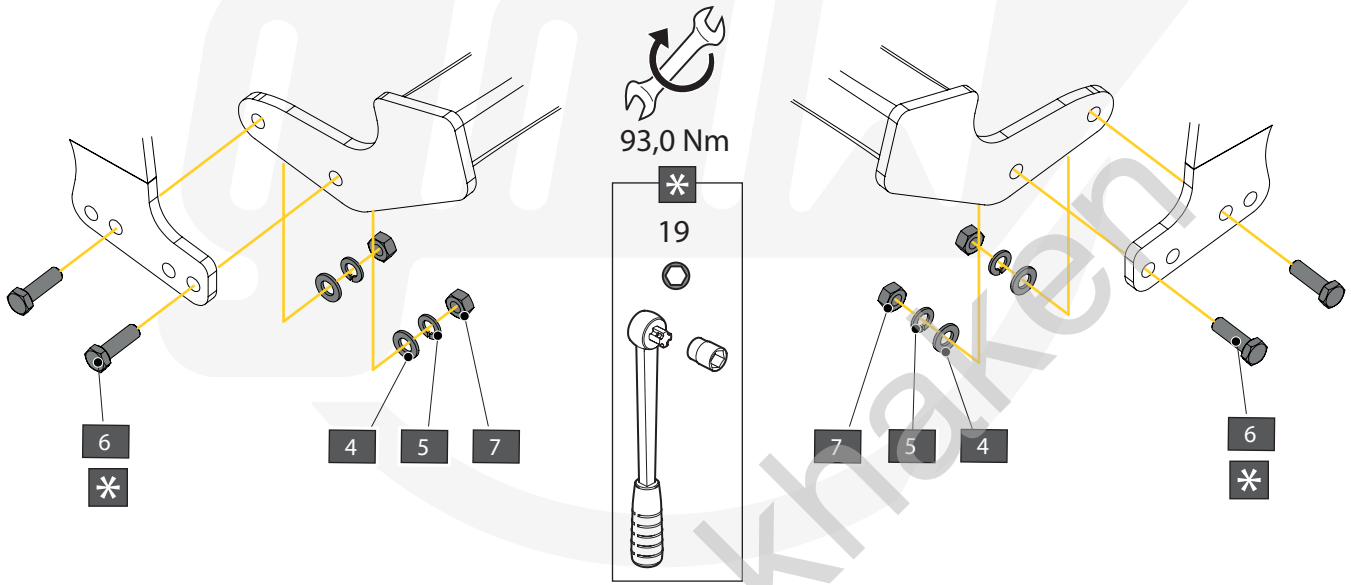
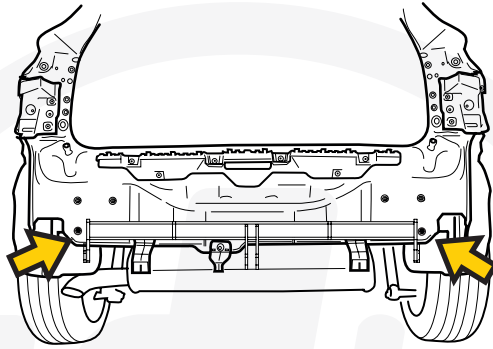


**AUSTRAL**

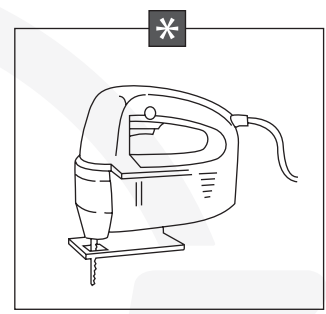
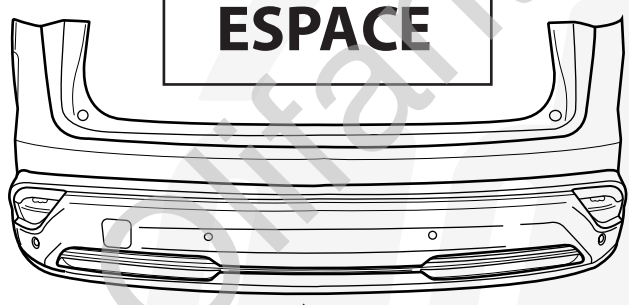




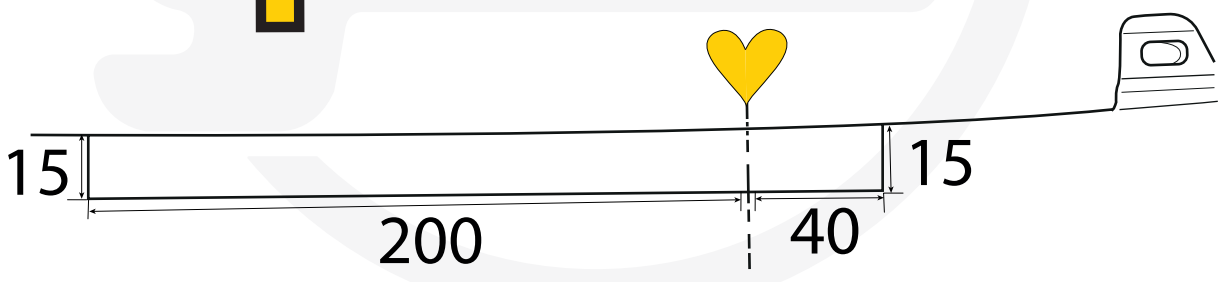
**ESPACE**

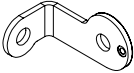



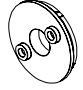
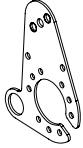



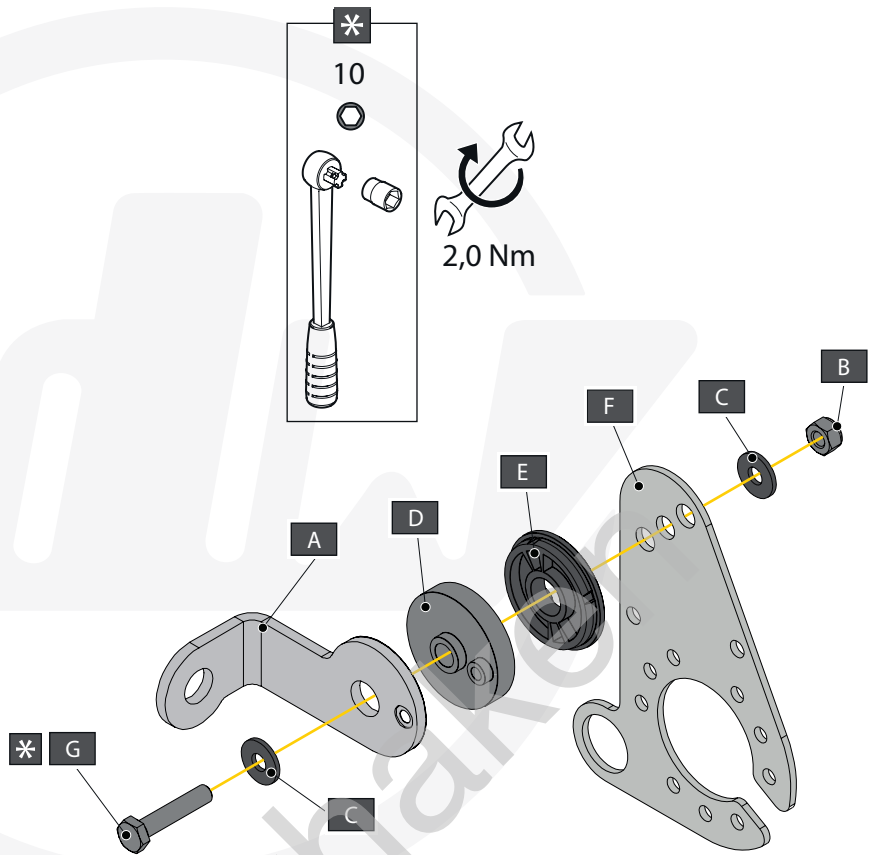
**ESPACE**

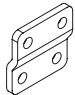

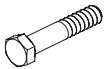




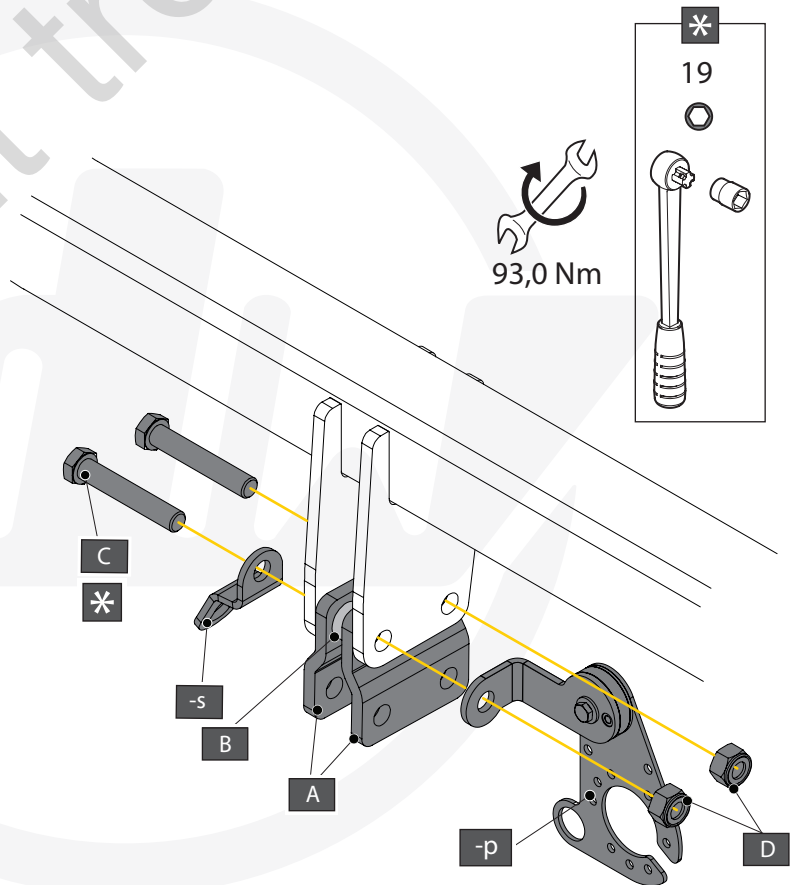
**! KICKSENSOR**

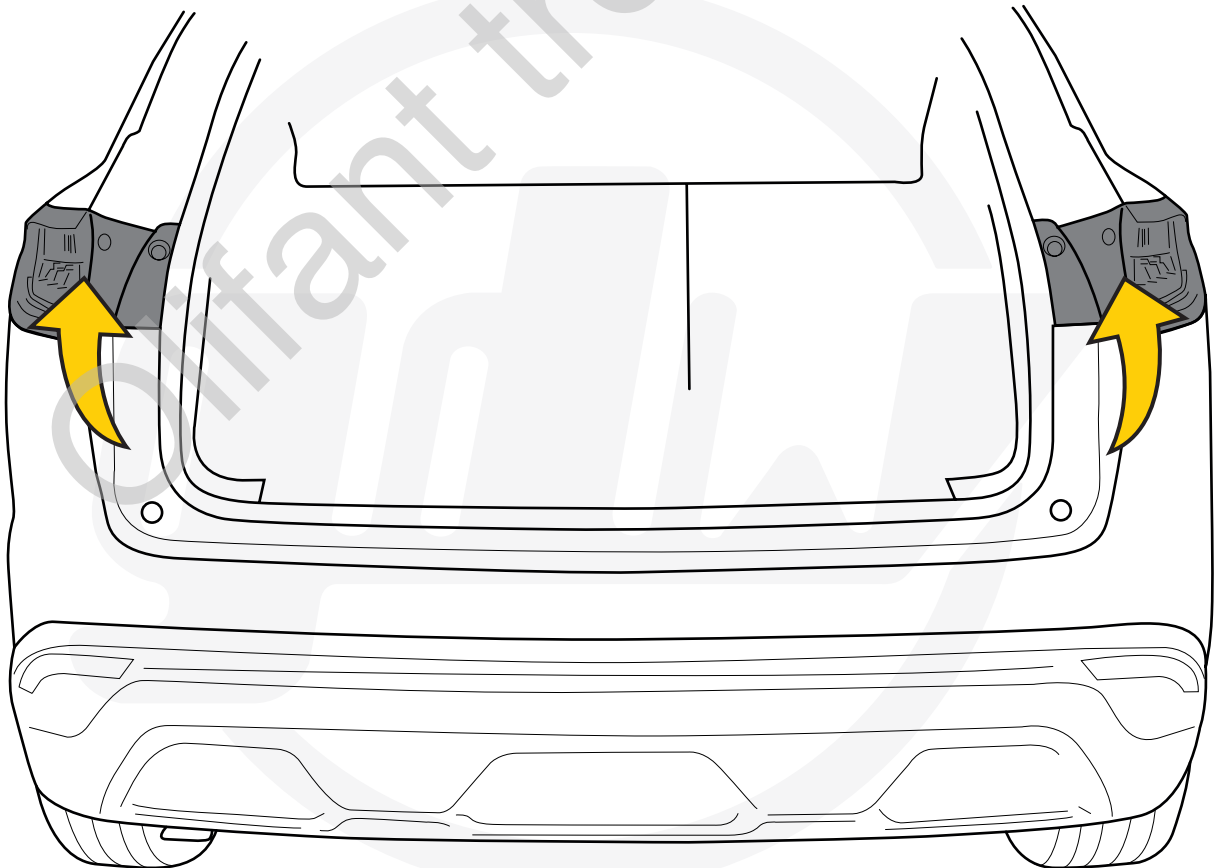
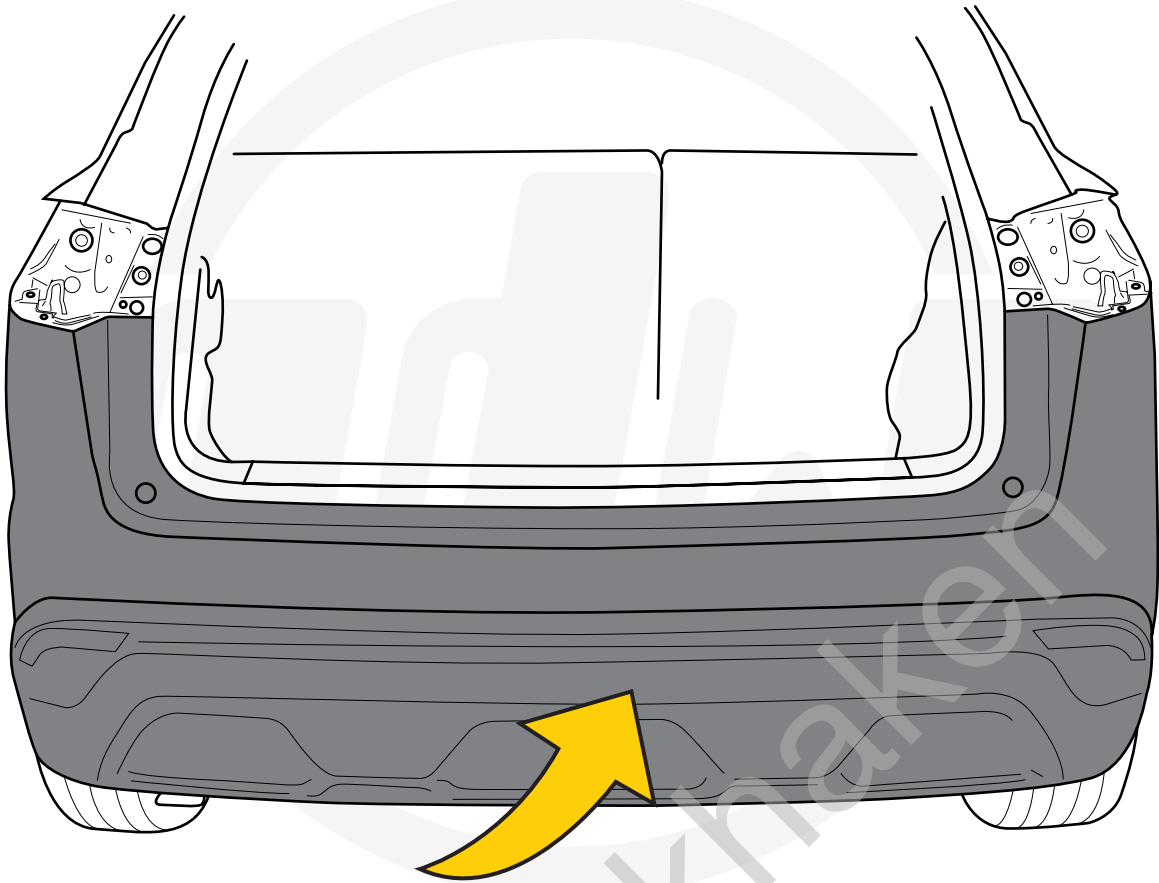


A		X1	GDW REF. 908.102
B		X1	DIN985-M6
C		X2	Ø15,4 X 6,2 X 1,6 (NYLON)
D		X1	GDW REF. 718.16.002
E		X1	GDW REF. 718.16.003
F		X1	GDW REF. 908.094
G		X1	DIN933-M6 X 30

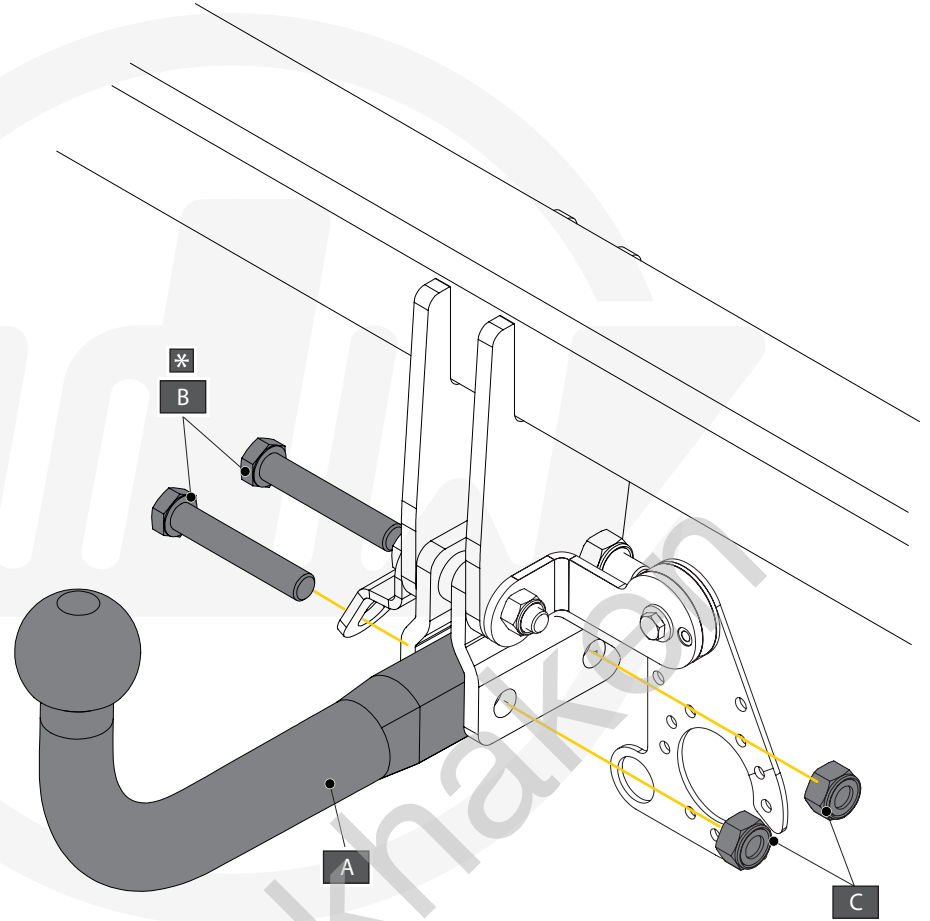
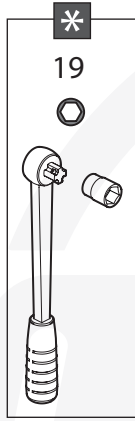


A		X2	GDW REF. 900.008
B		X2	GDW REF. 900.011 Ø 21,3 X 11,7
C		X2	DIN931-M12 X 70
D		X2	DIN985-M12
-S		X1	GDW REF. 900.053



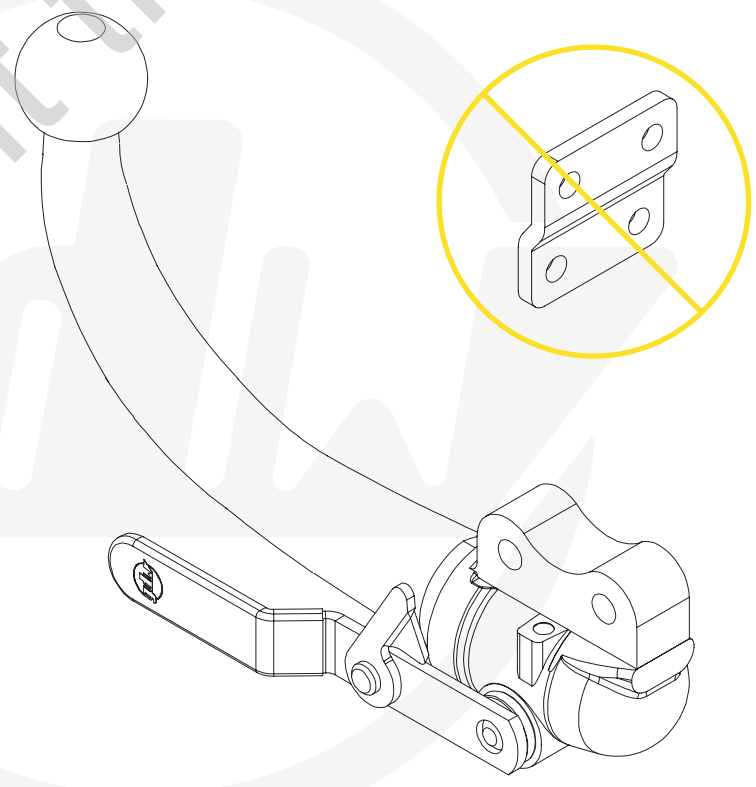


93,0 Nm



A		X1	944.H006
B		X2	DIN931-M12 X 70
C		X2	DIN985-M12

AFN Opties - Options - Options - Optionen - Opciones - Muligheder



OPTION T36

	X1	KITT36-2796
--	----	-------------