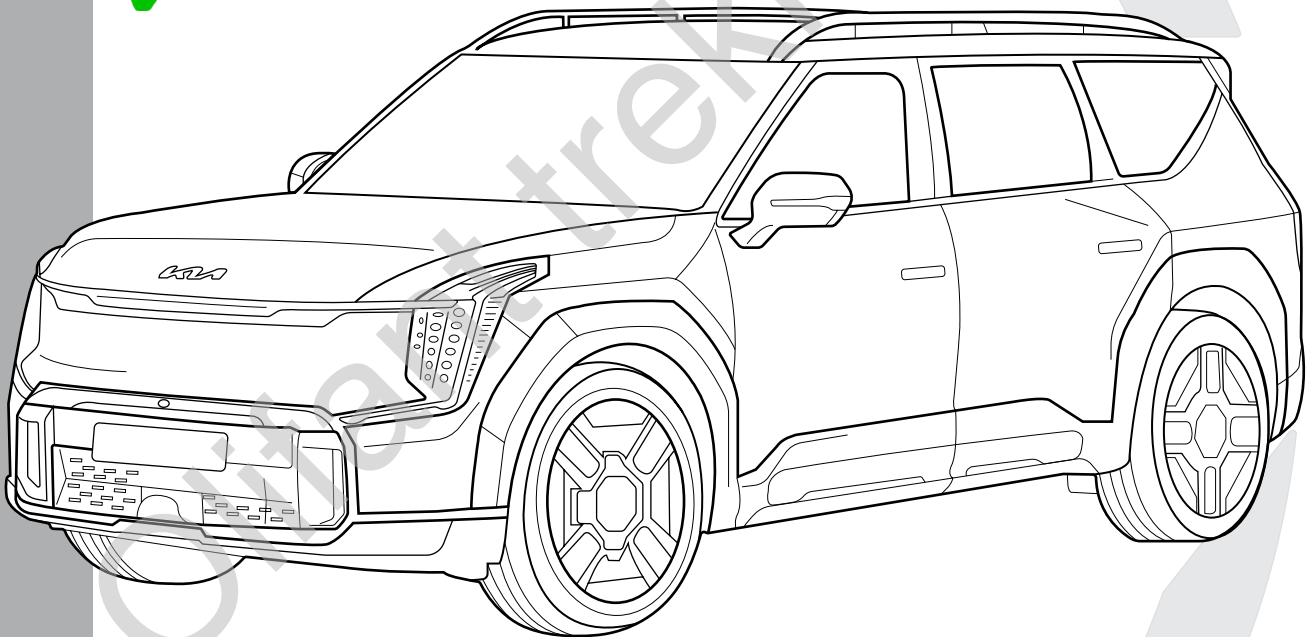


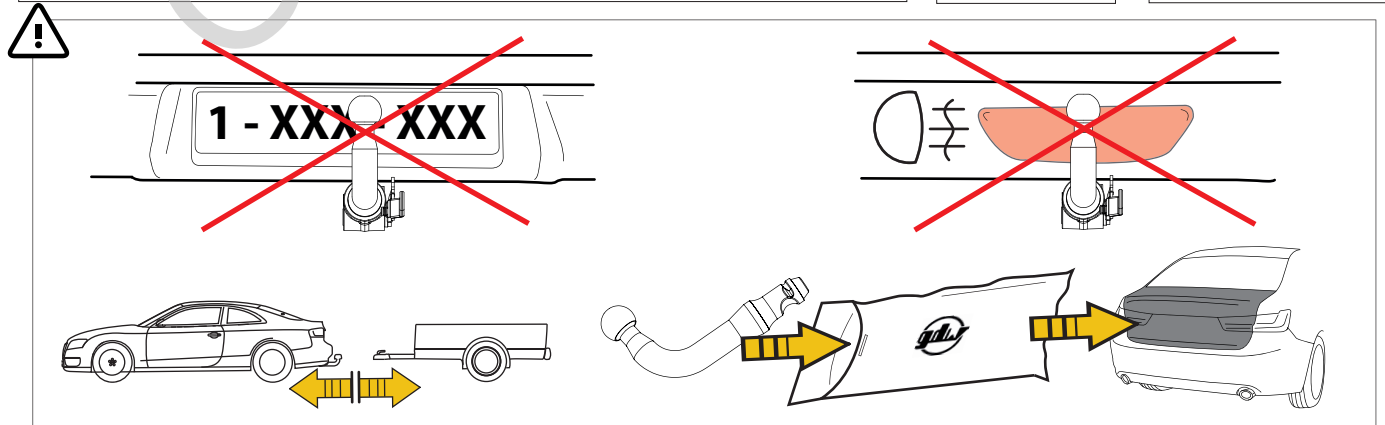
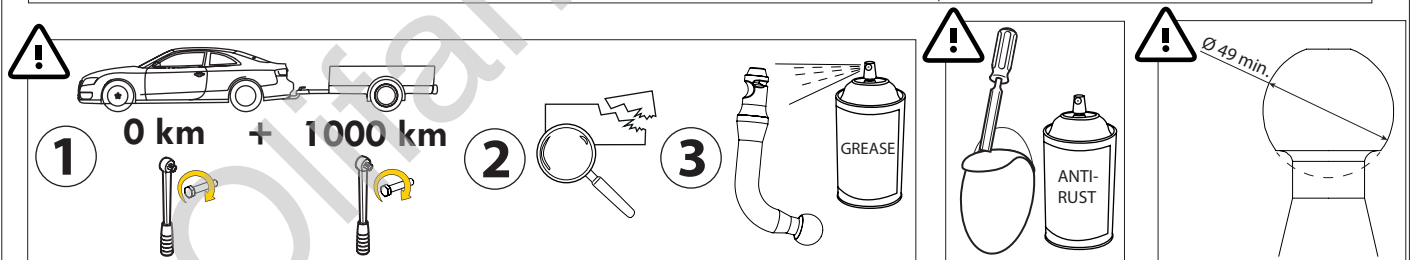
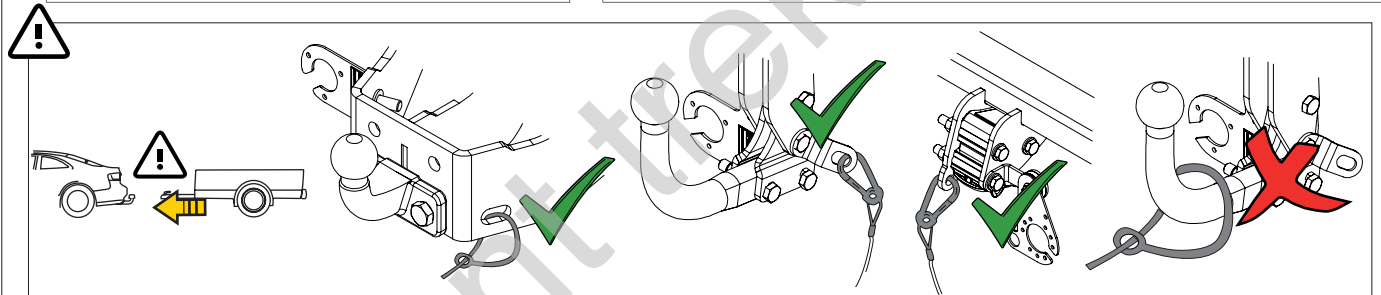
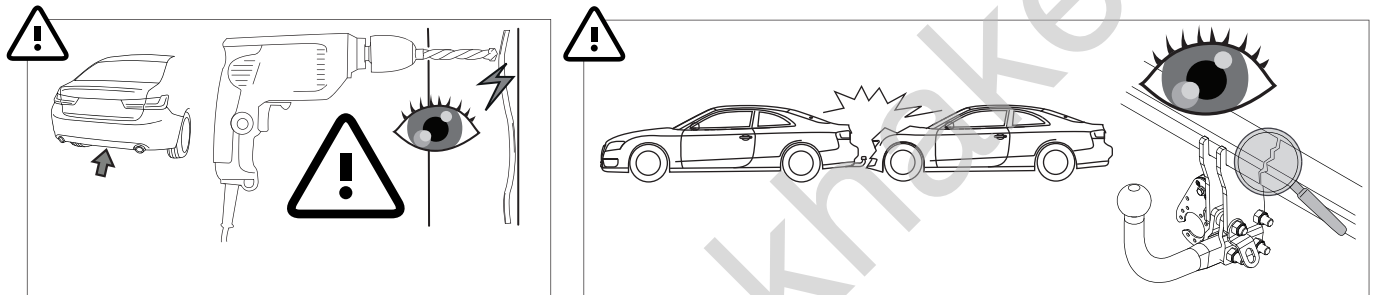
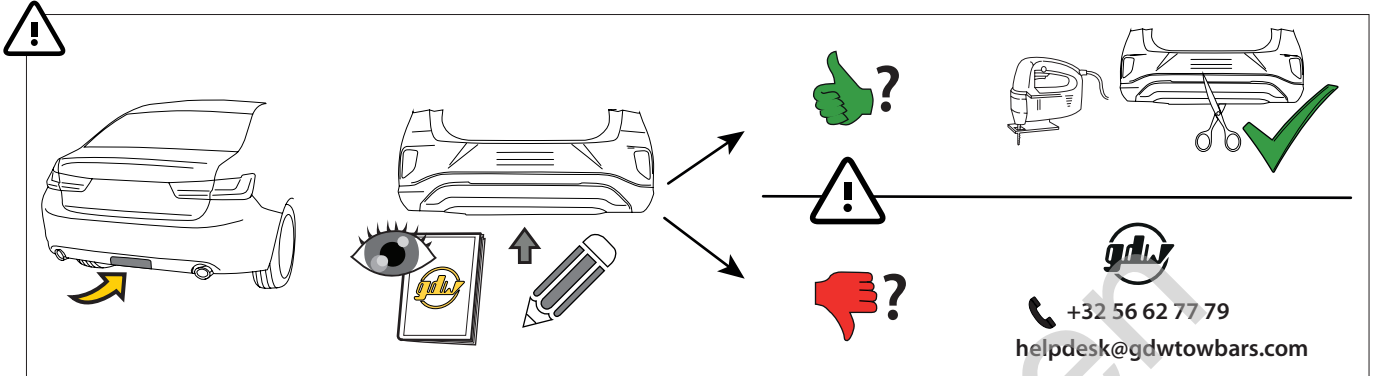
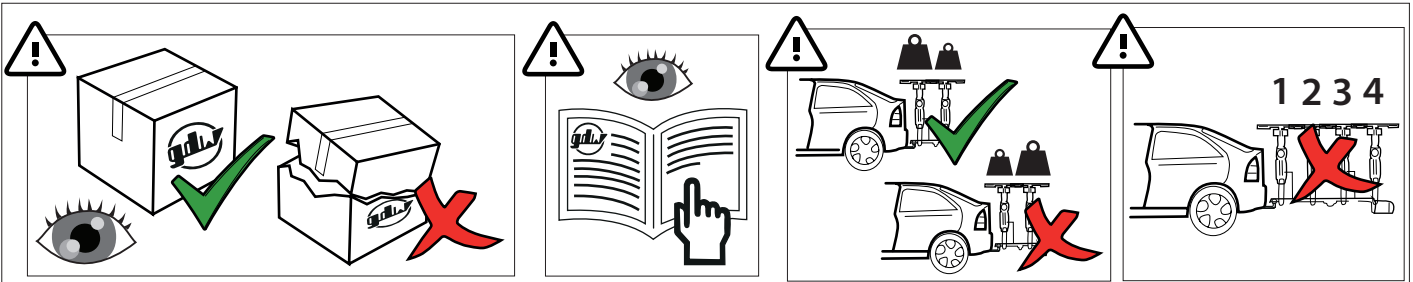


Kia EV9 (MV)

06/'23-

- ✓ GT-LINE
- ✓ EARTH (STANDARD)
- ✓ AWD
- ✓ RWD





MADE BY



D 14,00

F

EC-N°

E6

BELGIUM

S 125

55R-02 1804

REF N°

2786T60

SERIAL N°

XXXX

DESCRIPTION

Kia EV (MV) '23-



$$D = \frac{\text{max kg (car)} \times \text{max kg (trailer)}}{\text{max kg (car)} + \text{max kg (trailer)}} \times 0.00981 \leq 14,00 \text{ kN}$$

$$S = \text{max kg (hook)} \leq 125 \text{ kg}$$

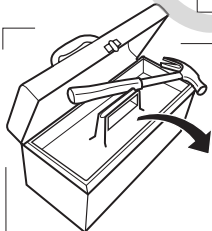
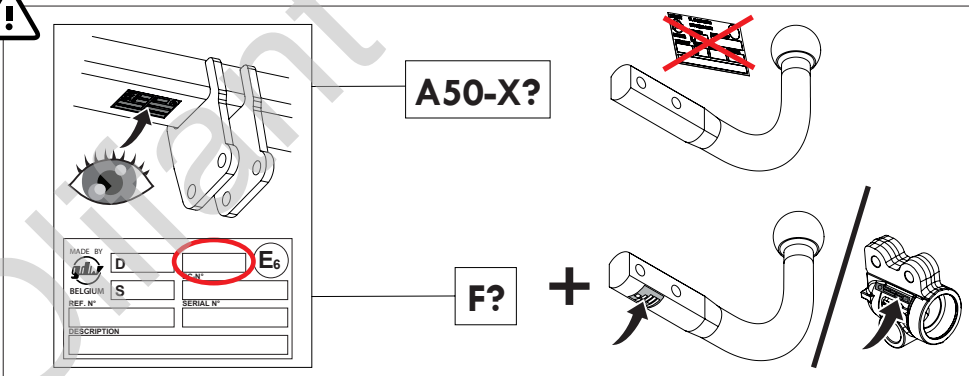
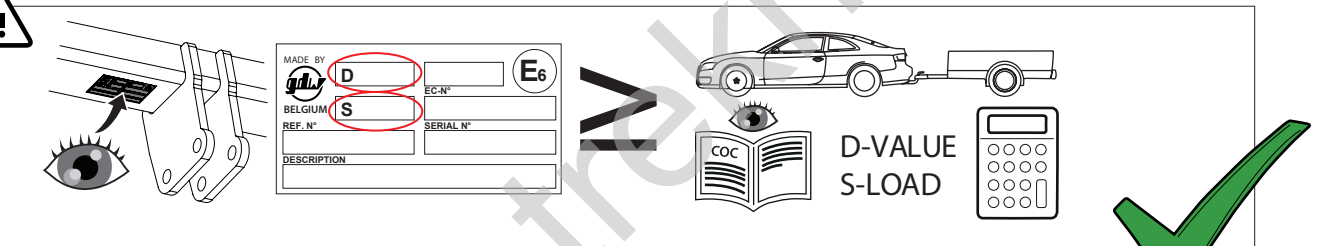
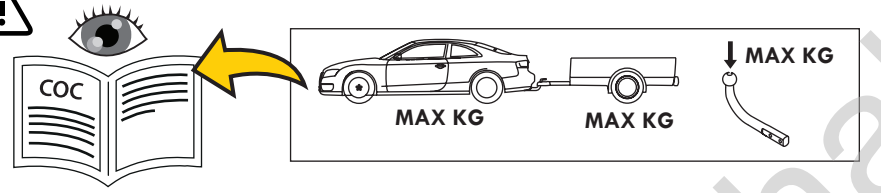
$$S = \text{max kg (trailer)} \leq 2500 \text{ kg}$$



See the Certificate Of Conformity (COC) of your vehicle or contact your dealer to verify the max. trailer weight of your car!



See the user manual of the vehicle for correct use of bicycle carriers!



10



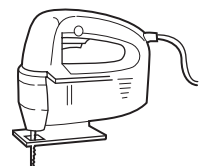
14

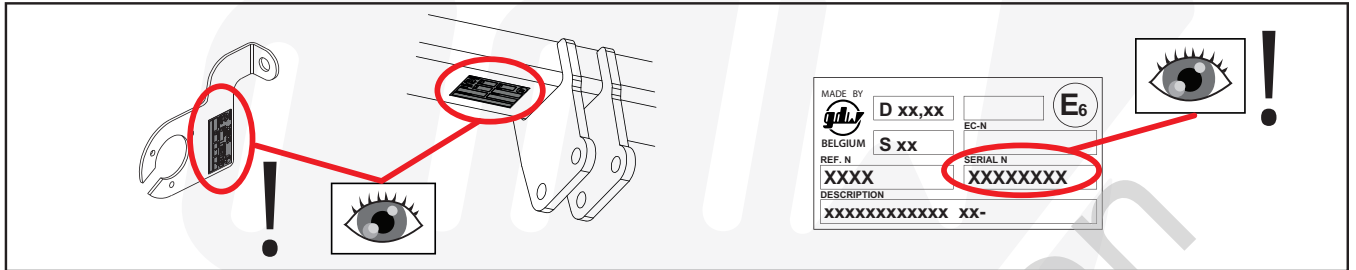


19



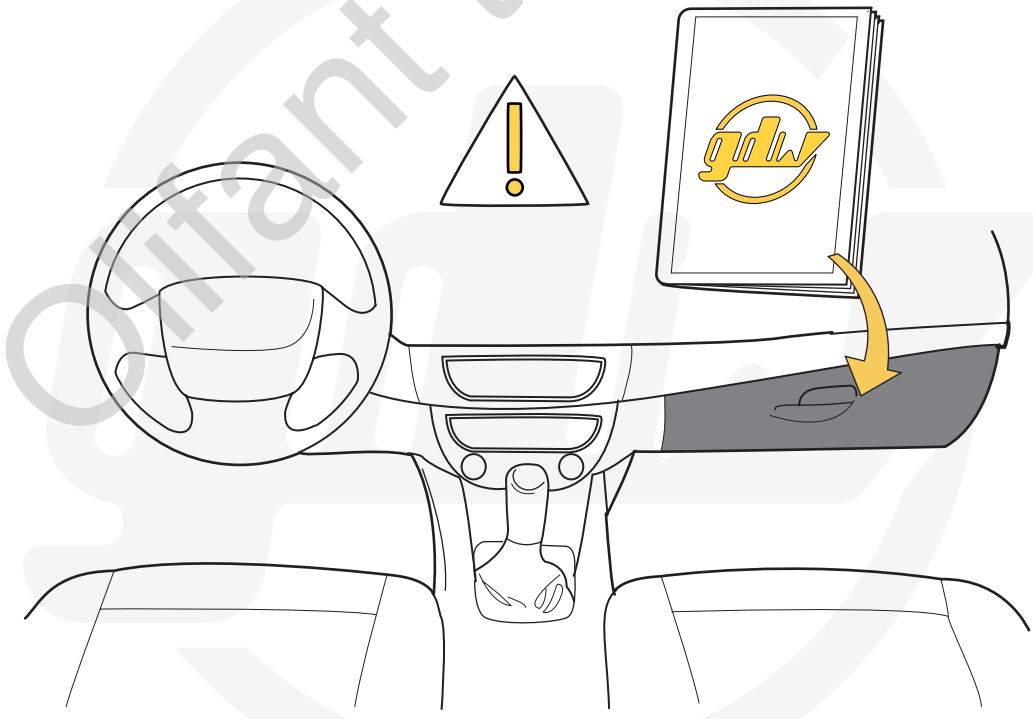
22

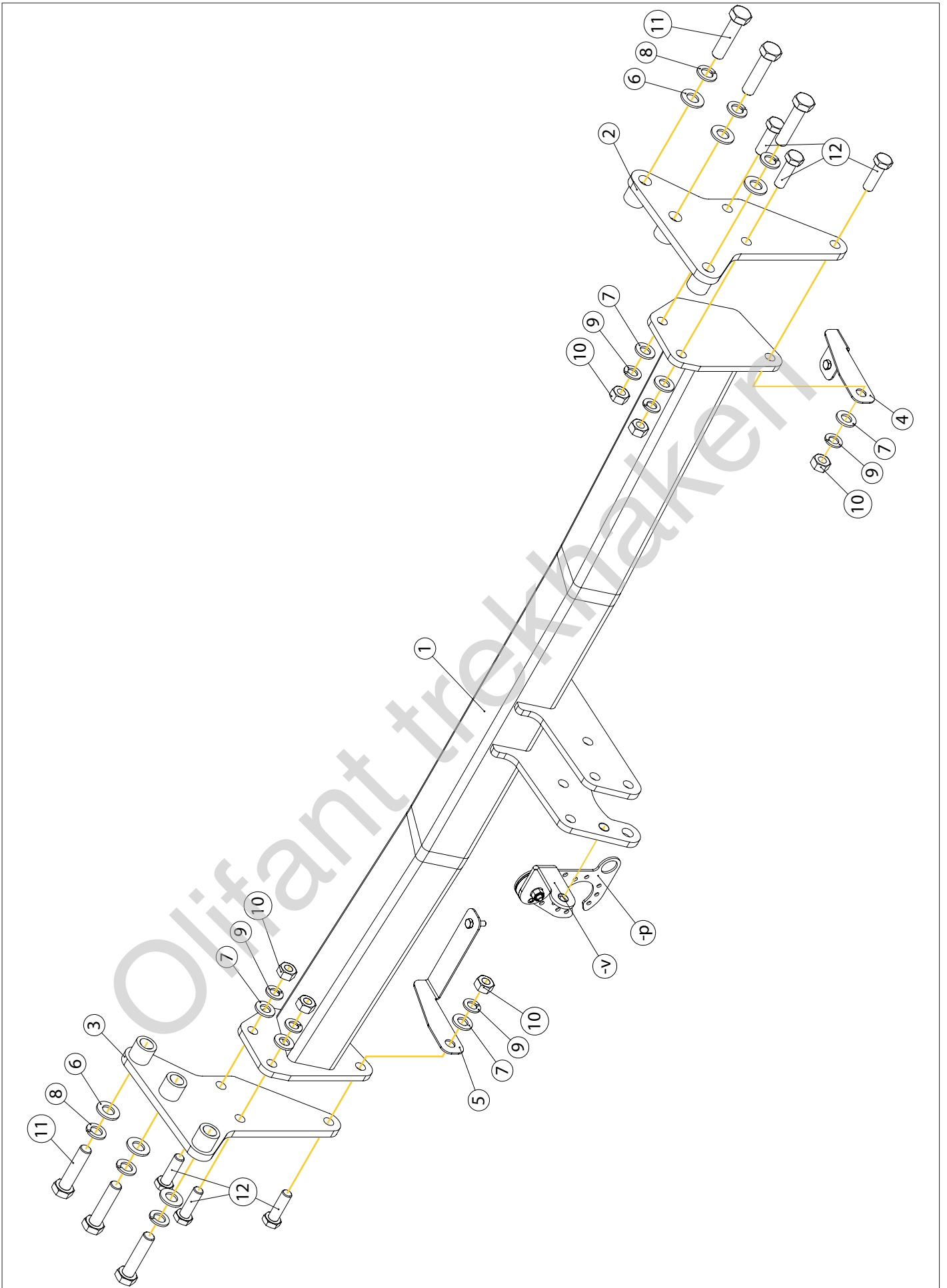


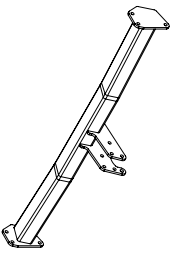
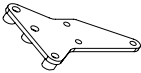
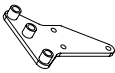
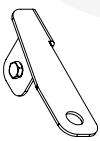
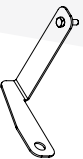










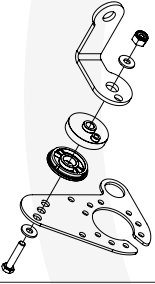




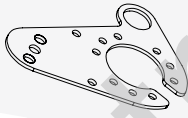


helpdesk@gdwtowbars.com
+32 56 62 77 79

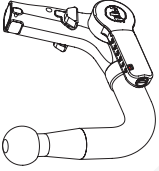

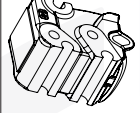


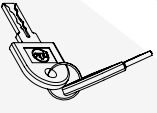

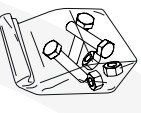




Monday	08:00 - 12:00	12:30 - 16:30
Tuesday	08:00 - 12:00	12:30 - 16:30
Wednesday	08:00 - 12:00	12:30 - 16:30
Thursday	08:00 - 12:00	12:30 - 16:30
Friday	08:00 - 12:00	12:30 - 15:30

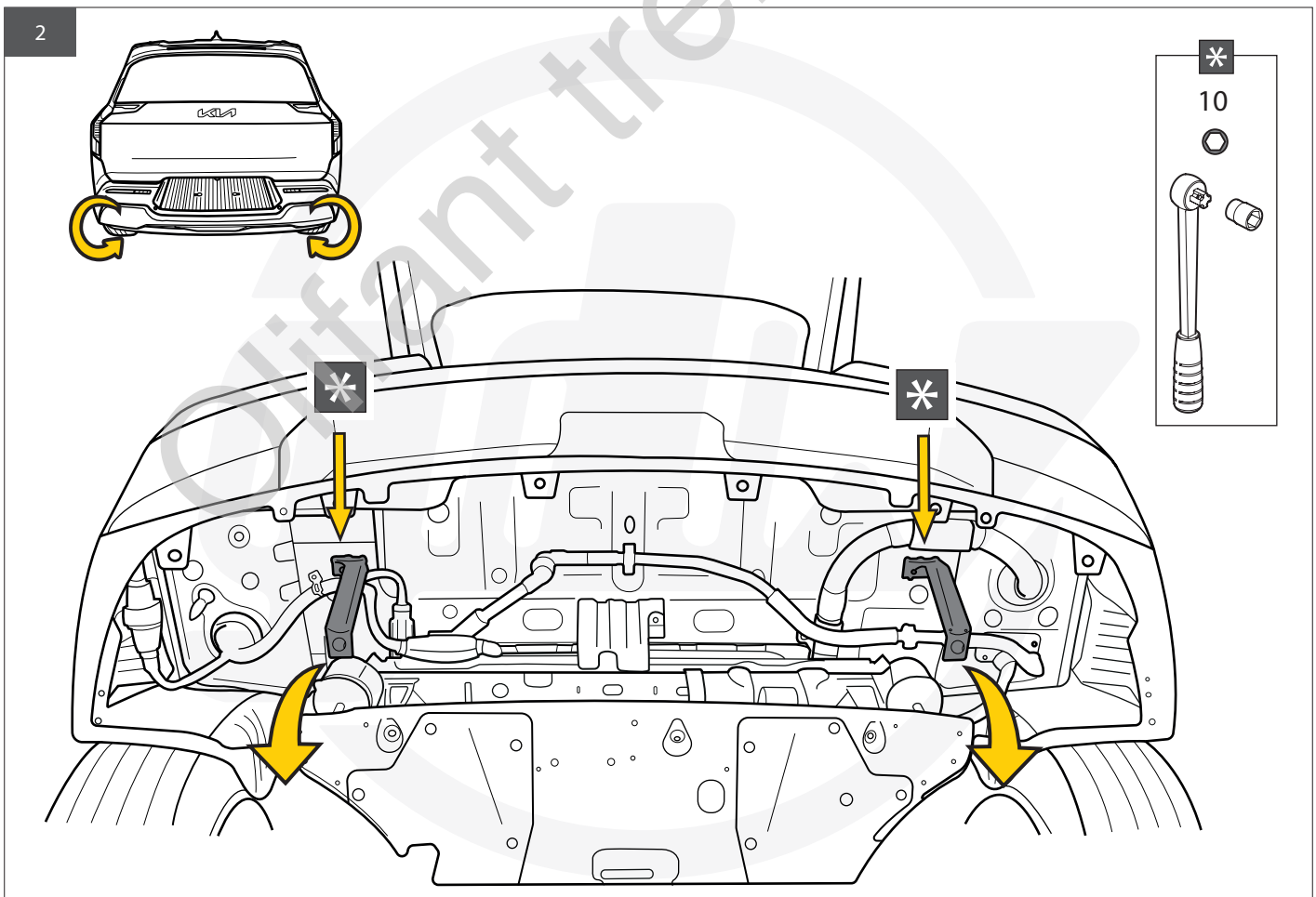
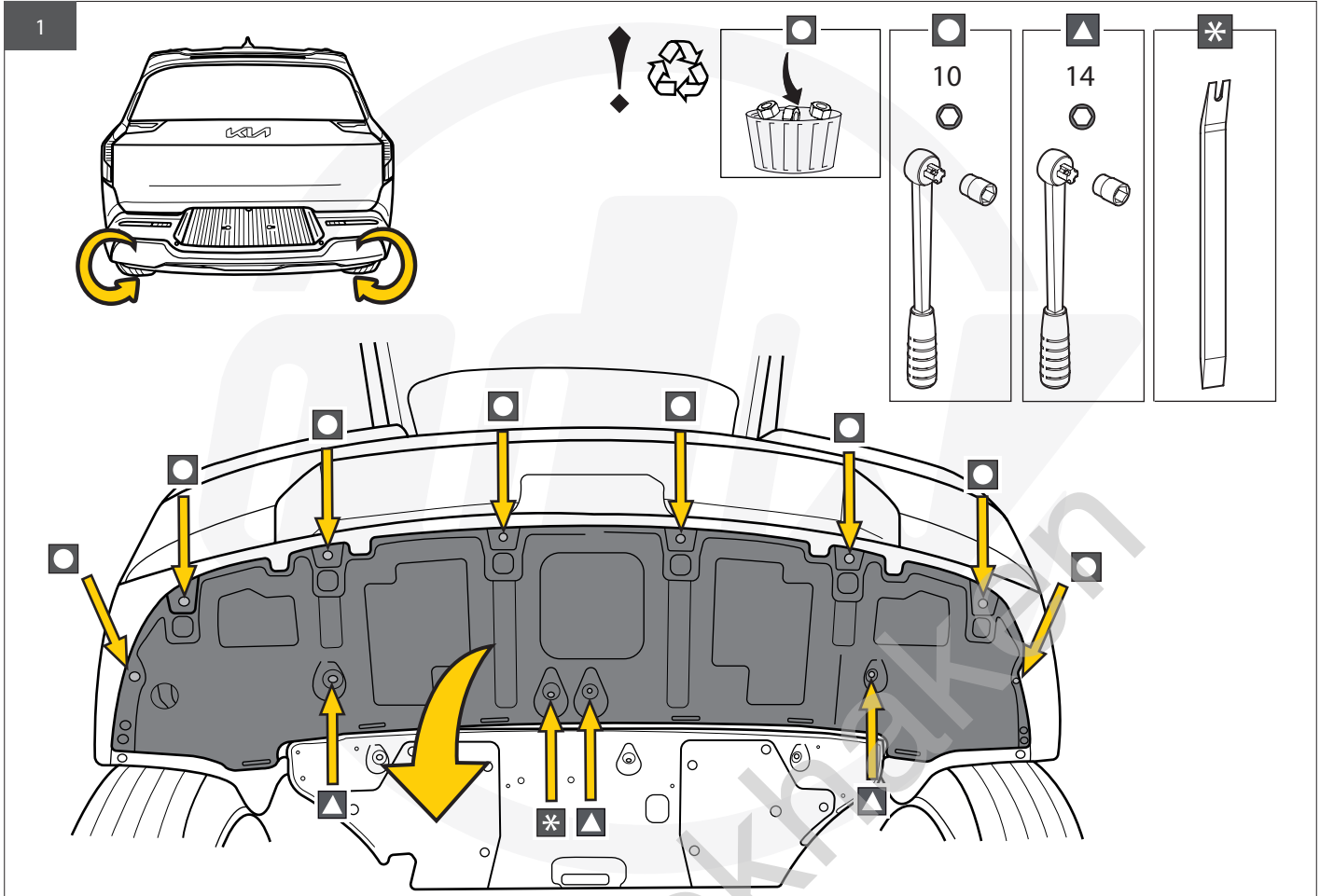




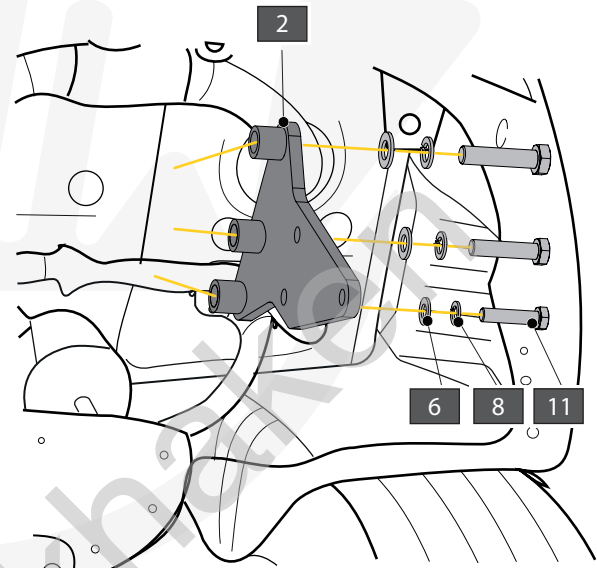
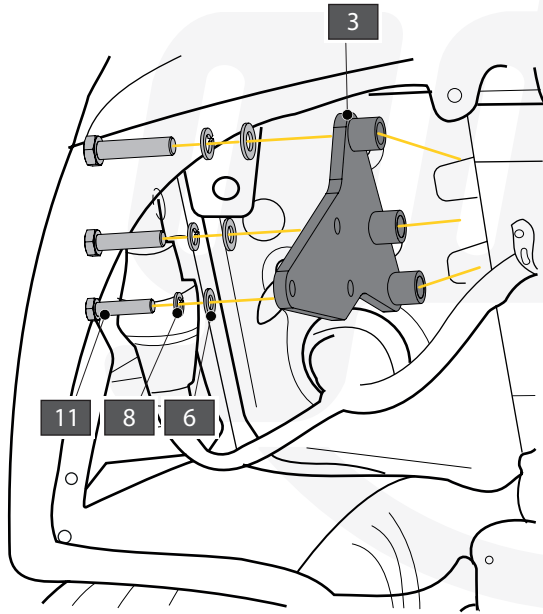
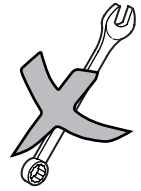
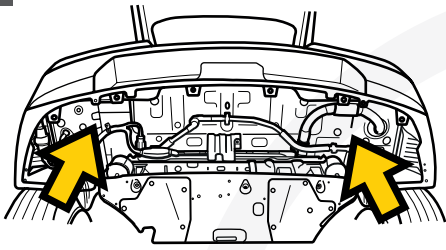
1		X1	GDW REF. 278OT60
2		X1	GDW REF. 2
3		X1	GDW REF. 3
4		X1	GDW REF. 4
5		X1	GDW REF. 5
6		X6	DIN 125A-15X28X2,5
7		X6	DIN 125A-13X24X2,5
8		X6	GROWER VSK-MT4
9		X6	GROWER VSK-MT2
10		X6	DIN934-M12-KL10
11		X6	DIN 960-M14X60X1,5
12		X6	DIN933-M12X40-10.9
-V		X1	GDW REF. 2786T60-080

-P		X1	GDW REF. P38
↑		X1	DIN985-M6
↑		X2	6,2 X 15,4 X 1,6 (NYLON)
↑		X1	GDW REF. 718.16.002
↑		X1	GDW REF. 718.16.003
↑		X1	GDW REF. 908.094
↑		X1	DIN933-M6 X 30
↑		X1	GDW REF. 2786T60-080

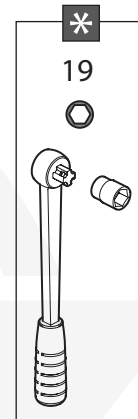
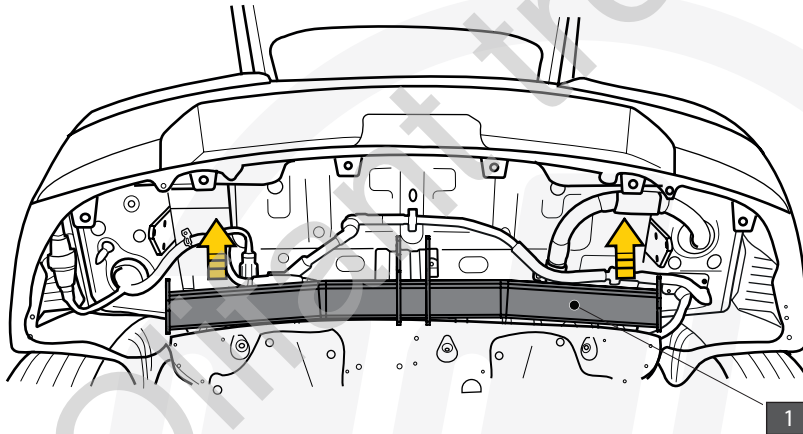
	X1	GDW REF. 960.V1208
	↑	
	X1	GDW REF. 740.200
	X1	GDW REF. 912.003
	X1	GDW REF. 740.112
	X1	GDW REF. 740.111
	X1	GDW REF. 740.12X X= LAST NUMBER ON KEY
	X1	GDW REF. 718.15.001
	X1	GDW REF. SYST60-10
	X3	DIN931-M12X110-8.8
	X3	DIN128A-M12
	X6	DIN125A-M12
	X3	DIN934-M12



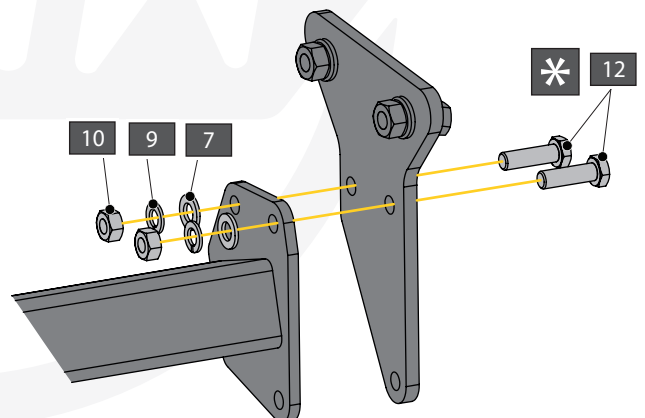
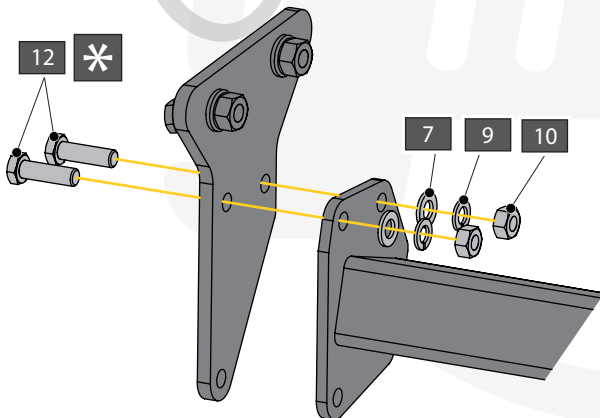
3



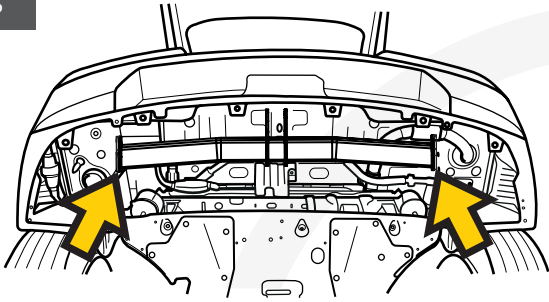
4



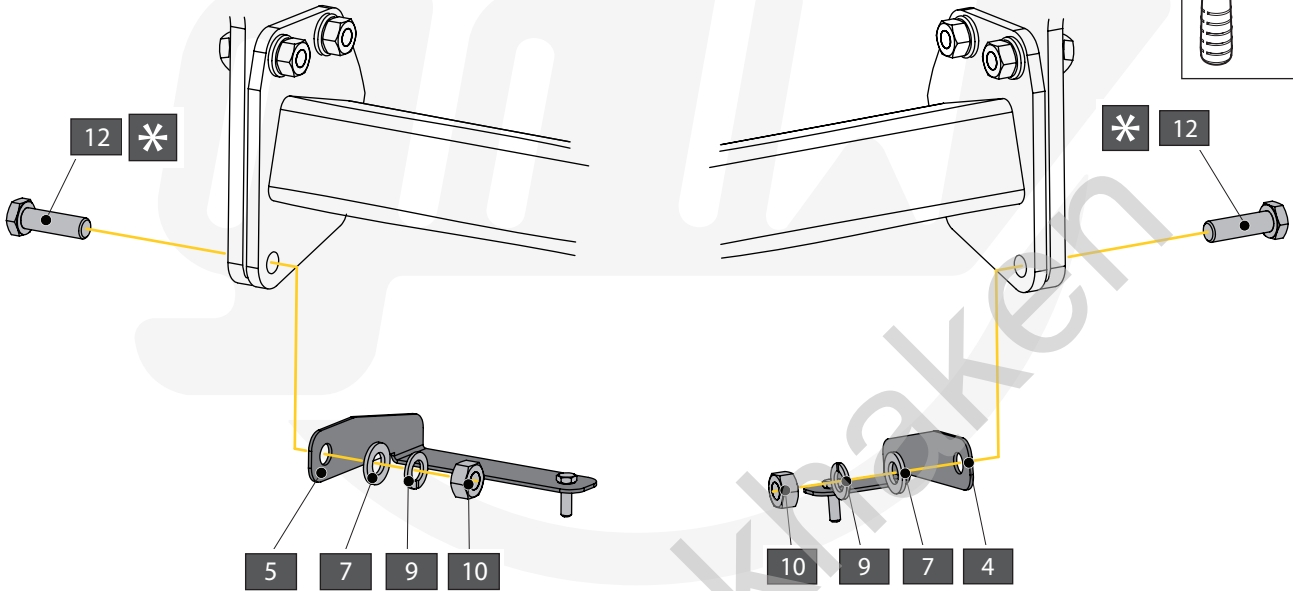
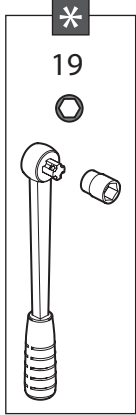
137,0 Nm



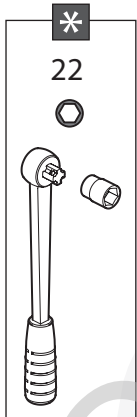
5



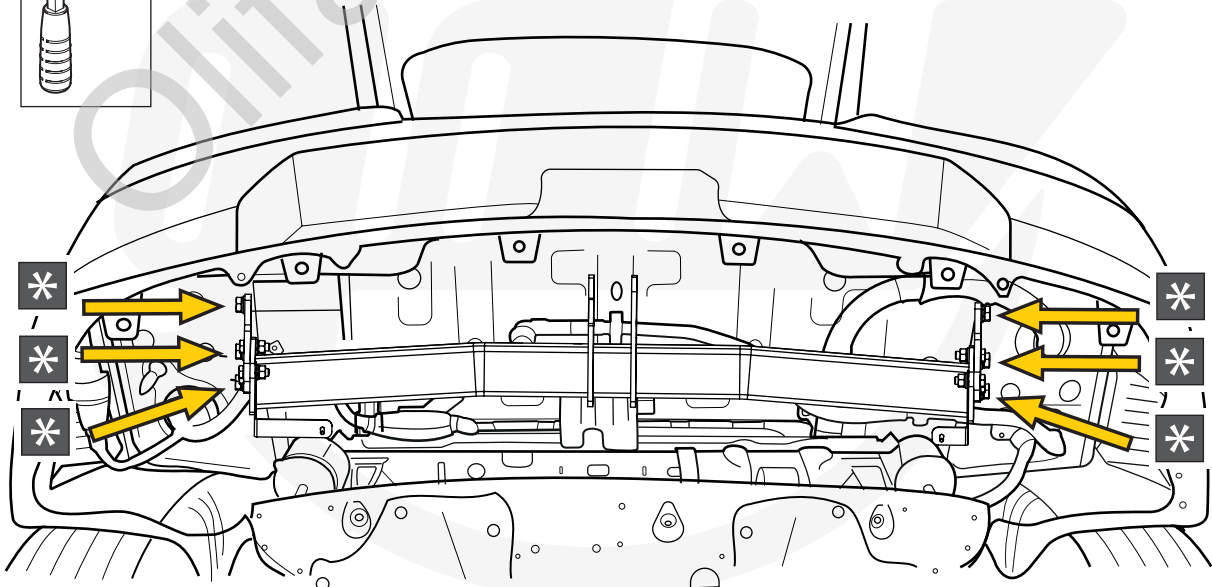

137,0 Nm



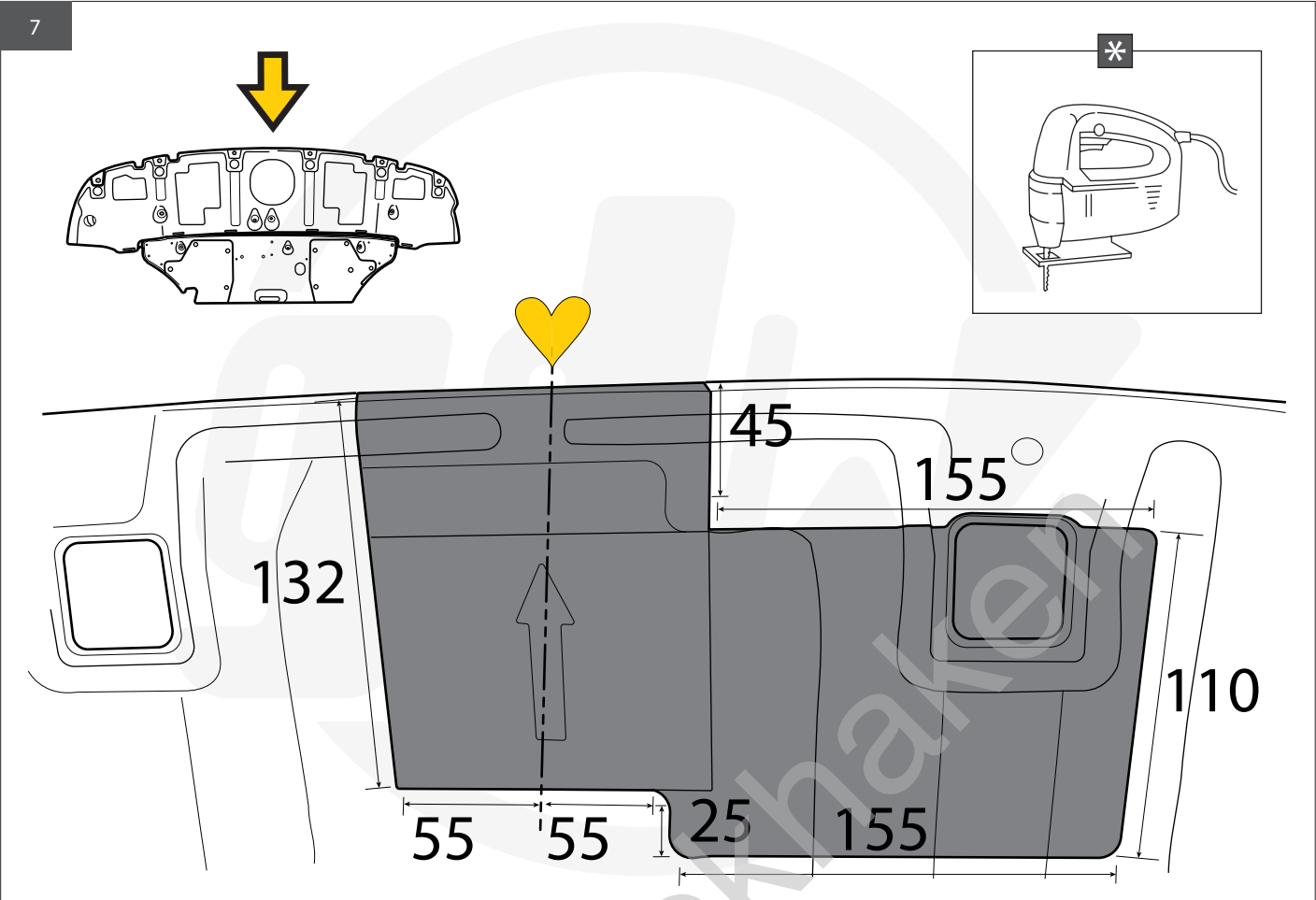
6



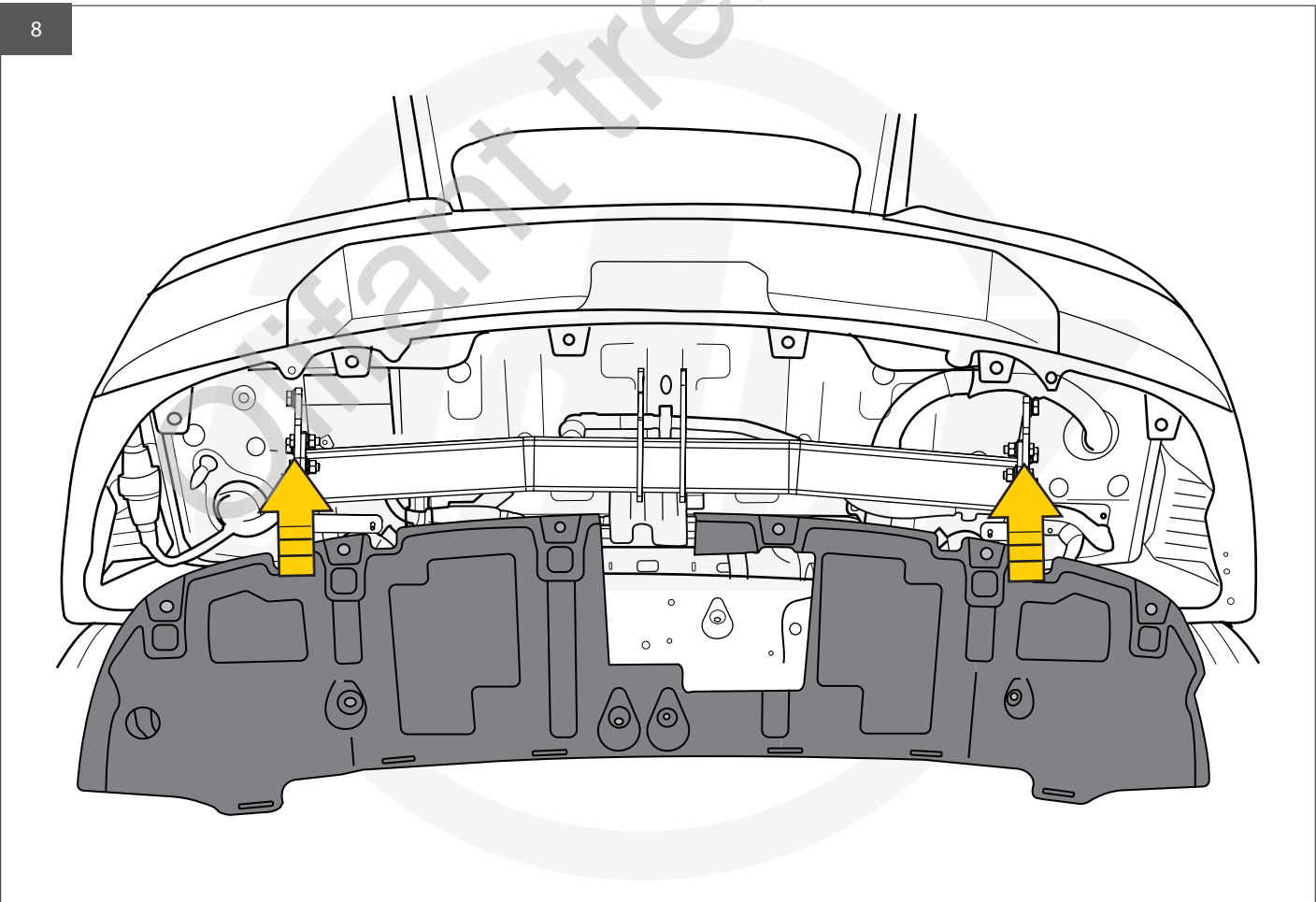

159,0 Nm



7

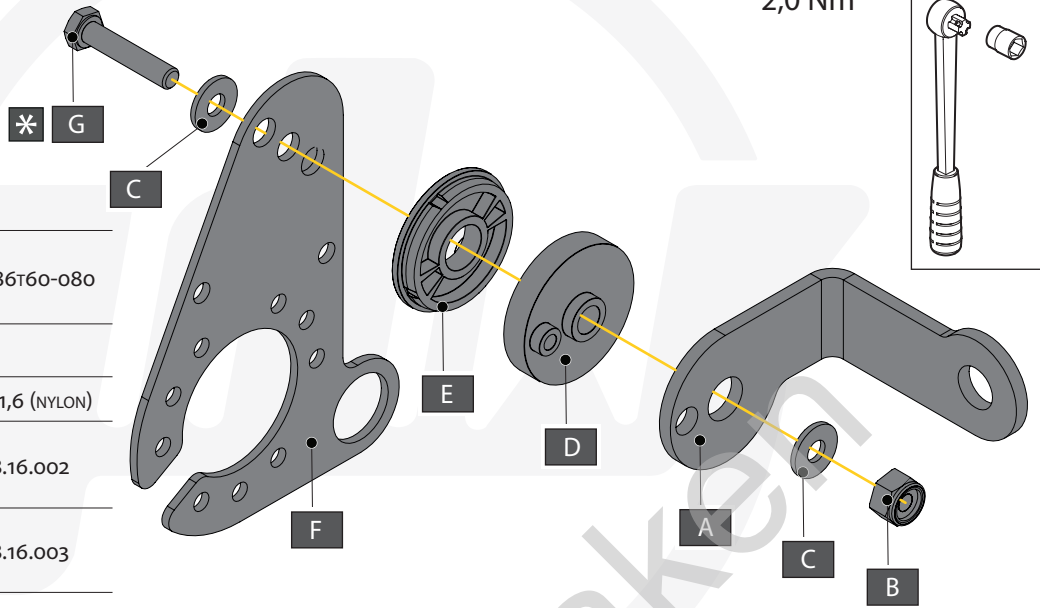
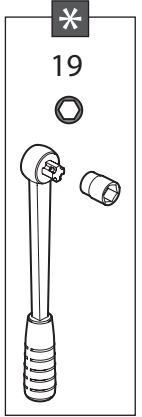


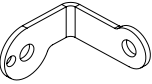




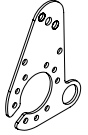
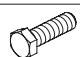
8



9

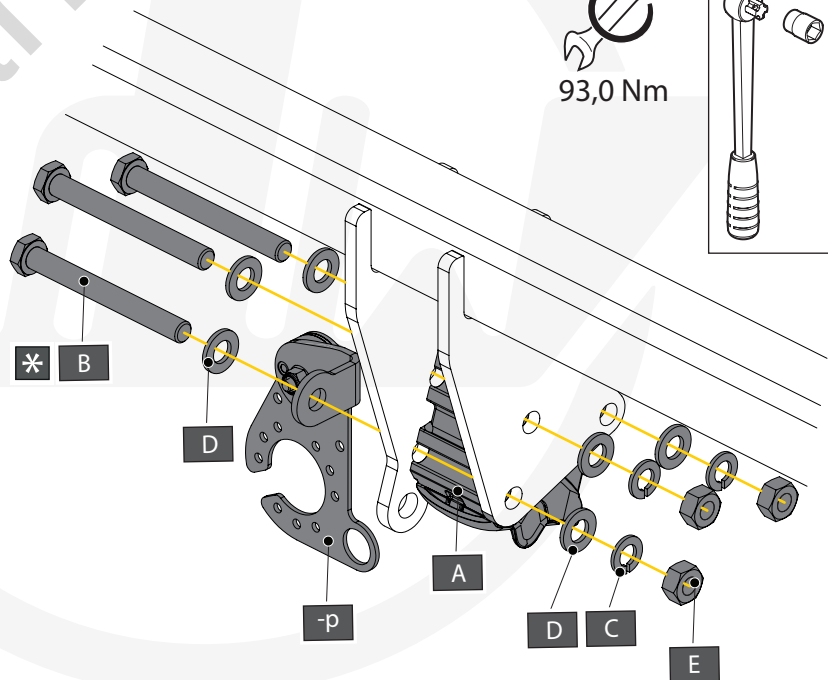
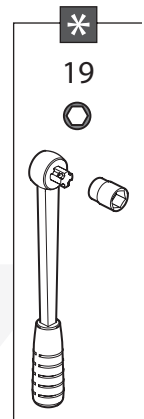

2,0 Nm

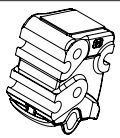
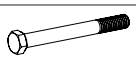
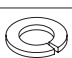

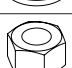


A		X1	GDW REF. 2786T60-080
B		X1	DIN985-M6
C		X2	6,2 X 15,4 X 1,6 (NYLON)
D		X1	GDW REF. 718.16.002
E		X1	GDW REF. 718.16.003
F		X1	GDW REF. 908.094
G		X1	DIN933-M6 X 30

10


93,0 Nm



A		X1	GDW REF. 912.003
B		X3	DIN931-M12 X 110
C		X3	DIN128A-M12
D		X6	DIN125A-M12
E		X3	DIN934-M12