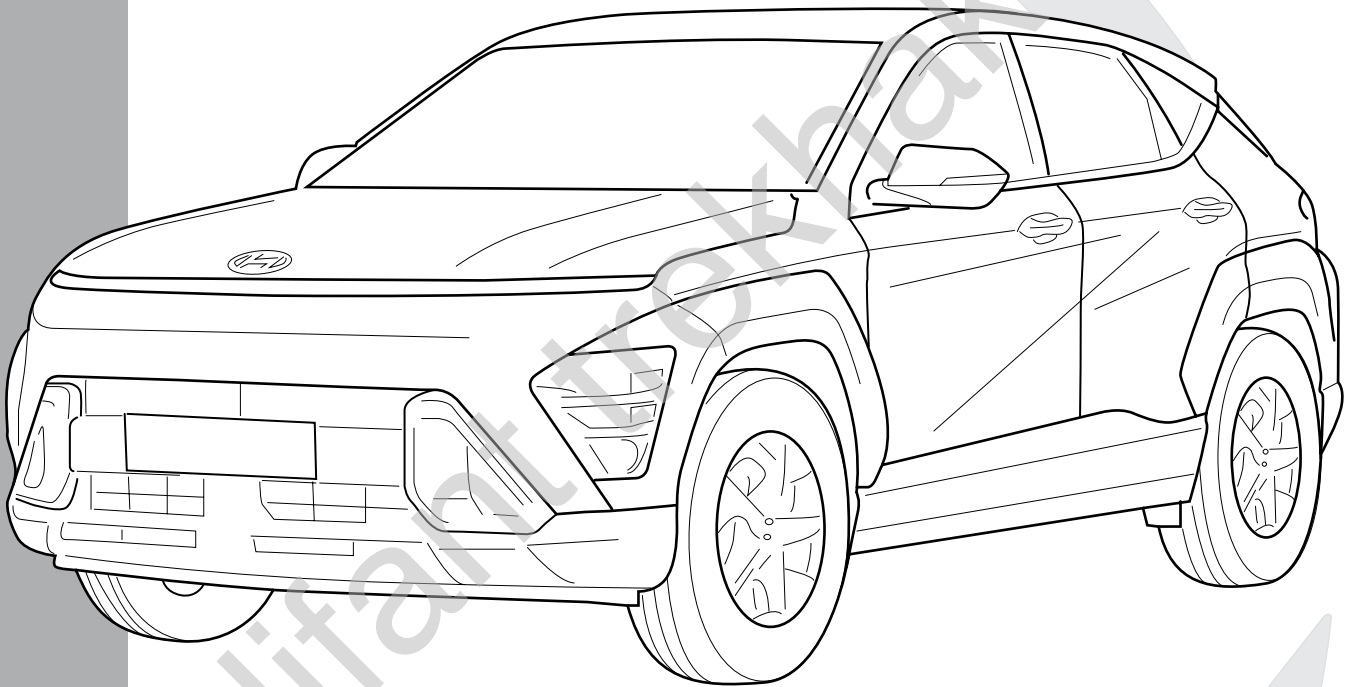


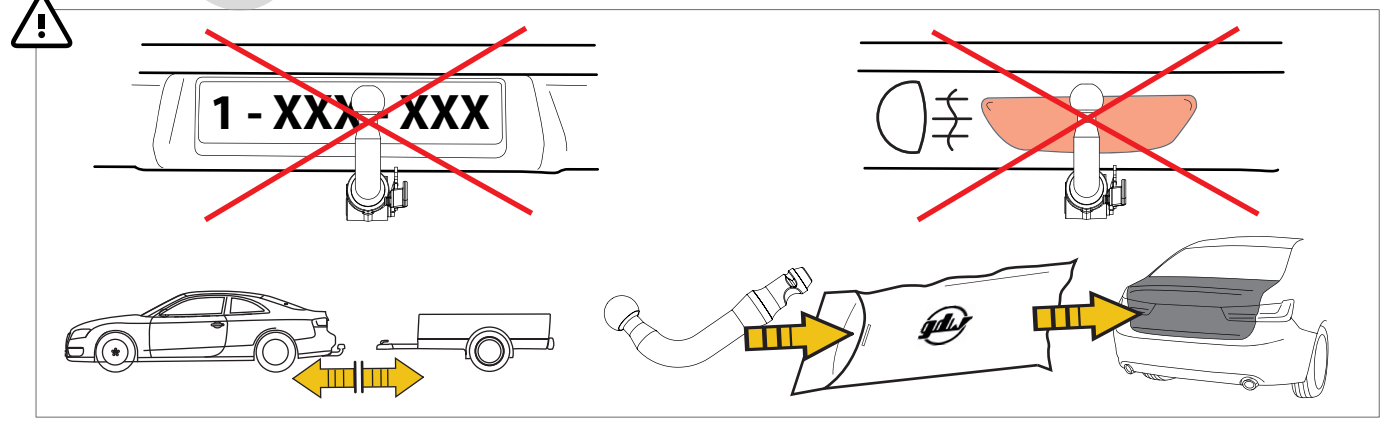
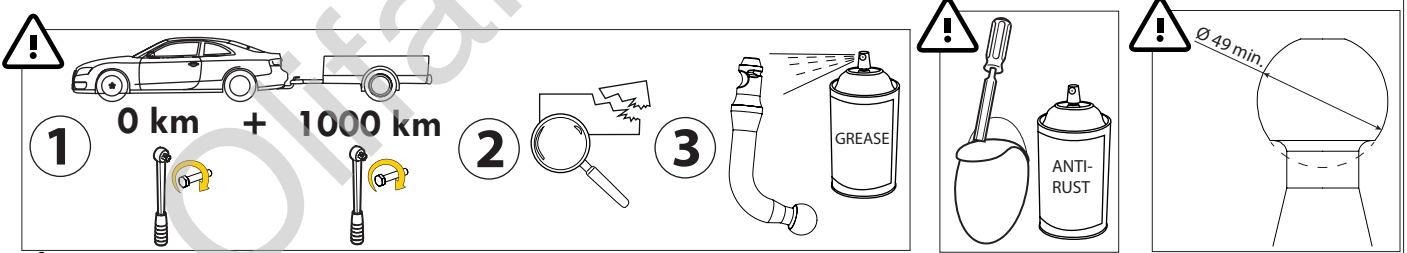
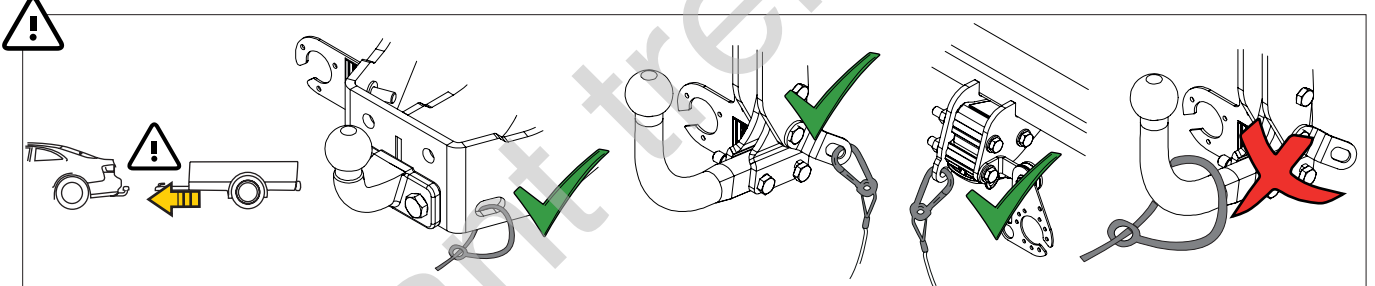
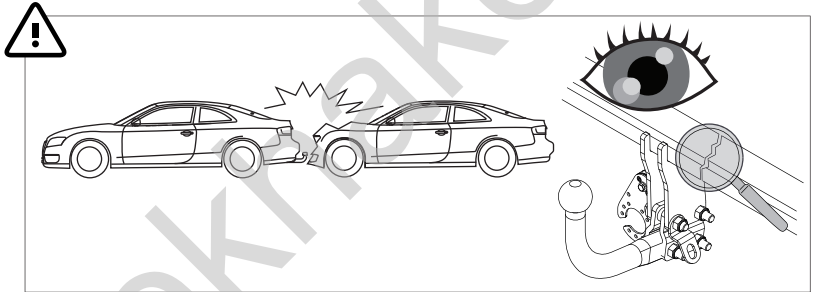
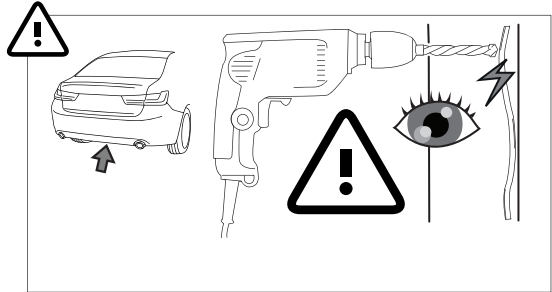
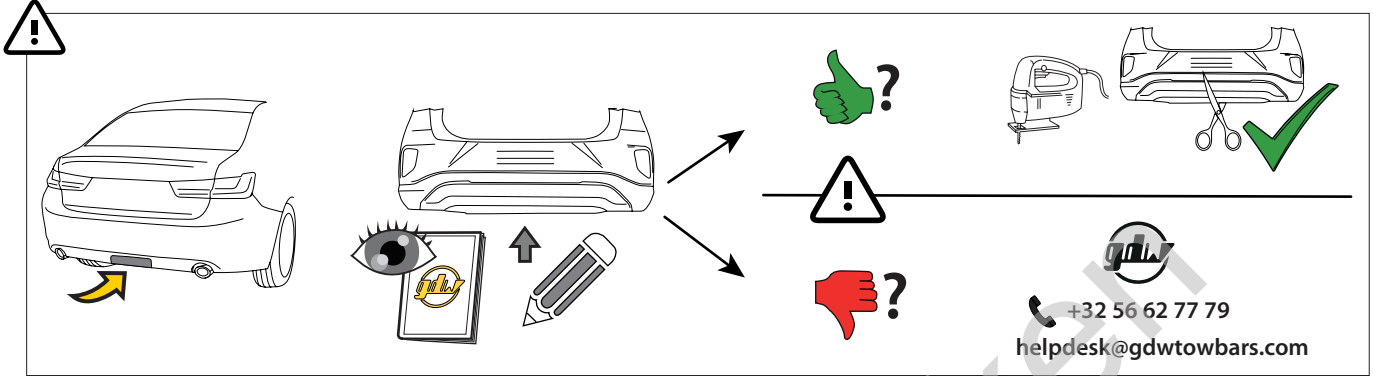
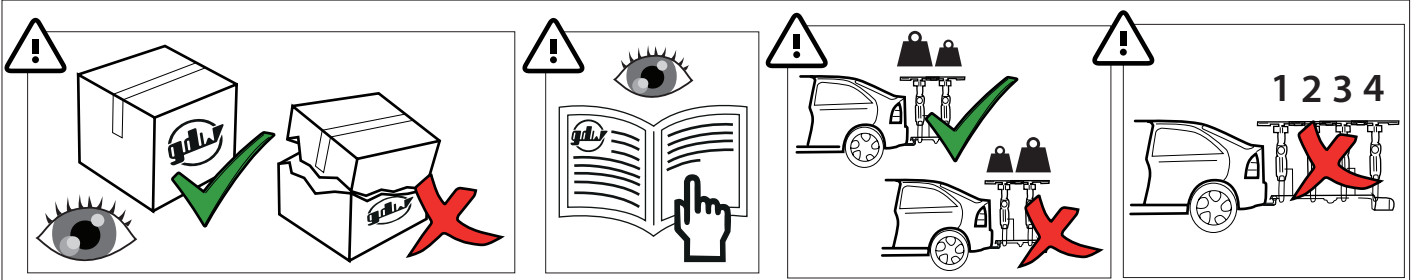


Hyundai Kona (SX2)

01/'23-

- ✓ STANDARD
- ✓ HYBRID
- ✓ EV





MADE BY



D 8,50

F

E6

BELGIUM

S 100

EC-N°

55R-02 1806

REF N°

2775T35

SERIAL N°

XXXX

DESCRIPTION

Hyundai Kona 01/'23-



$$D = \frac{\text{max kg (car)} \times \text{max kg (trailer)}}{\text{max kg (car)} + \text{max kg (trailer)}} \times 0.00981 \leq 8,50 \text{ kN}$$

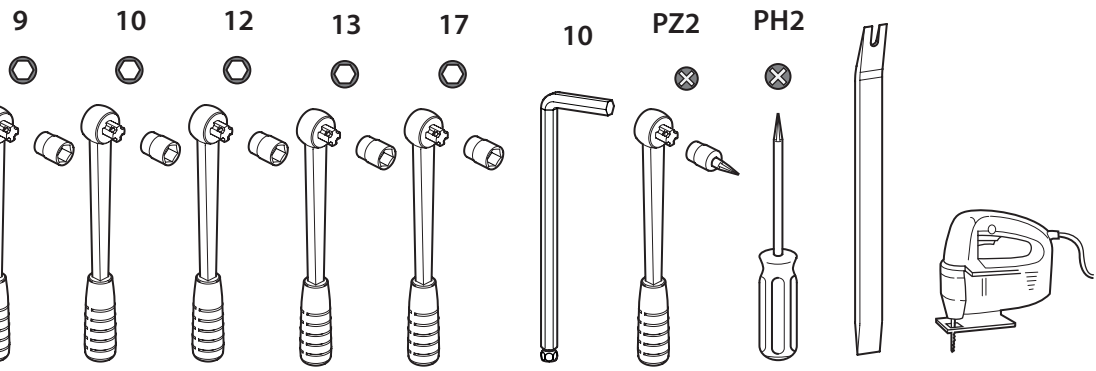
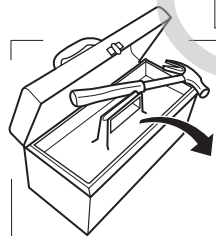
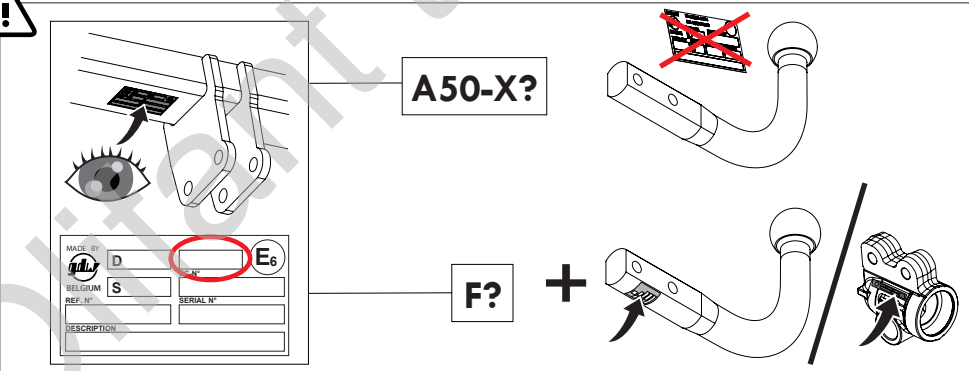
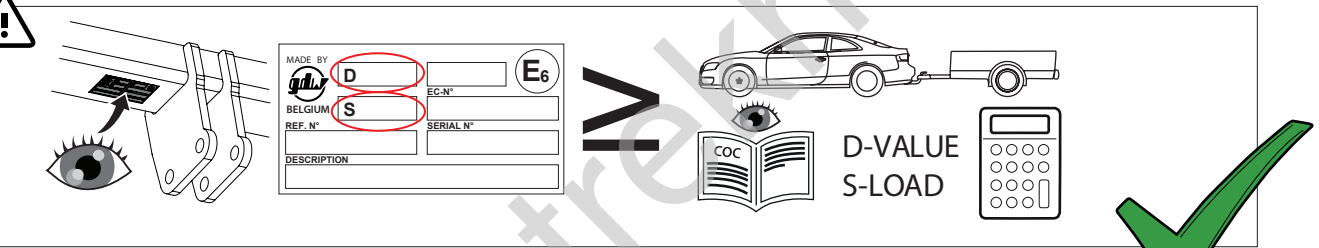
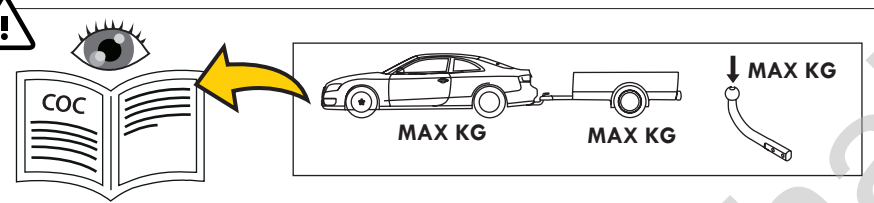
$$S = \text{max kg (hook)} \leq 100 \text{ kg} + \text{max kg (trailer)} \leq 1300 \text{ kg}$$

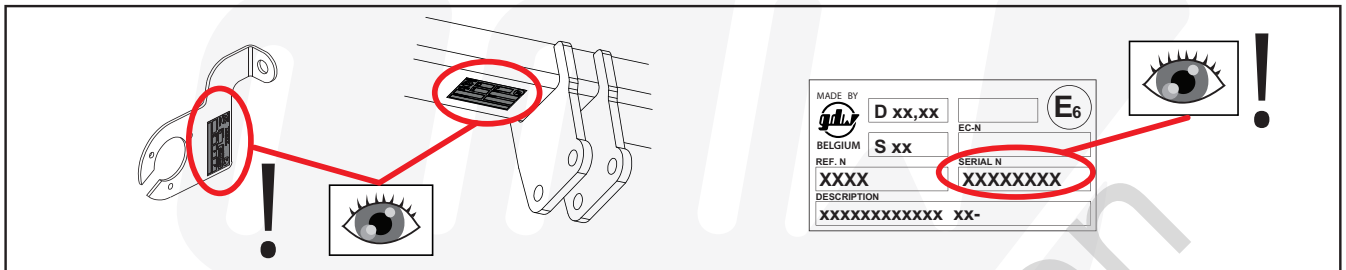


See the Certificate Of Conformity (COC) of your vehicle or contact your dealer to verify the max. trailer weight of your car!



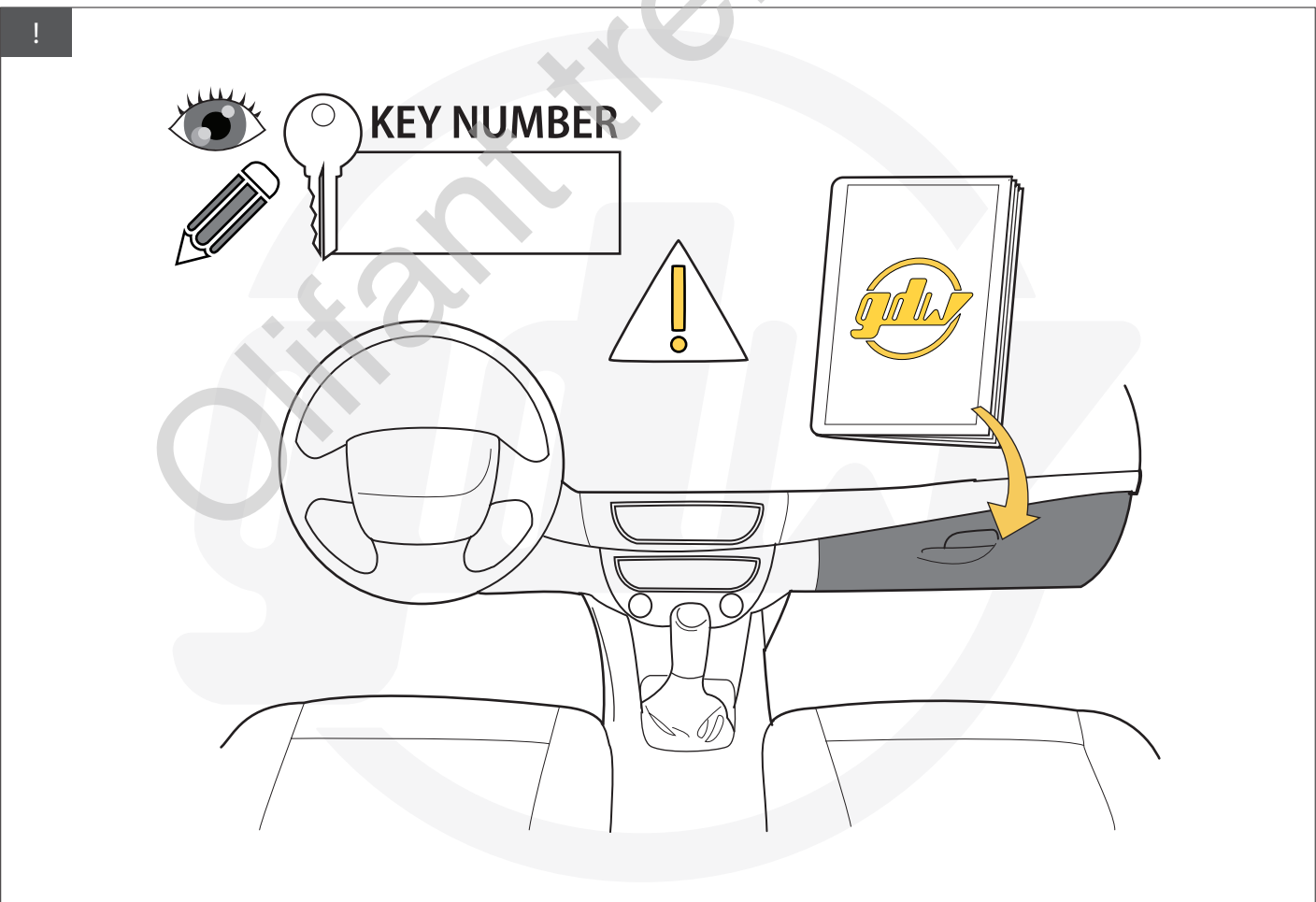
See the user manual of the vehicle for correct use of bicycle carriers!

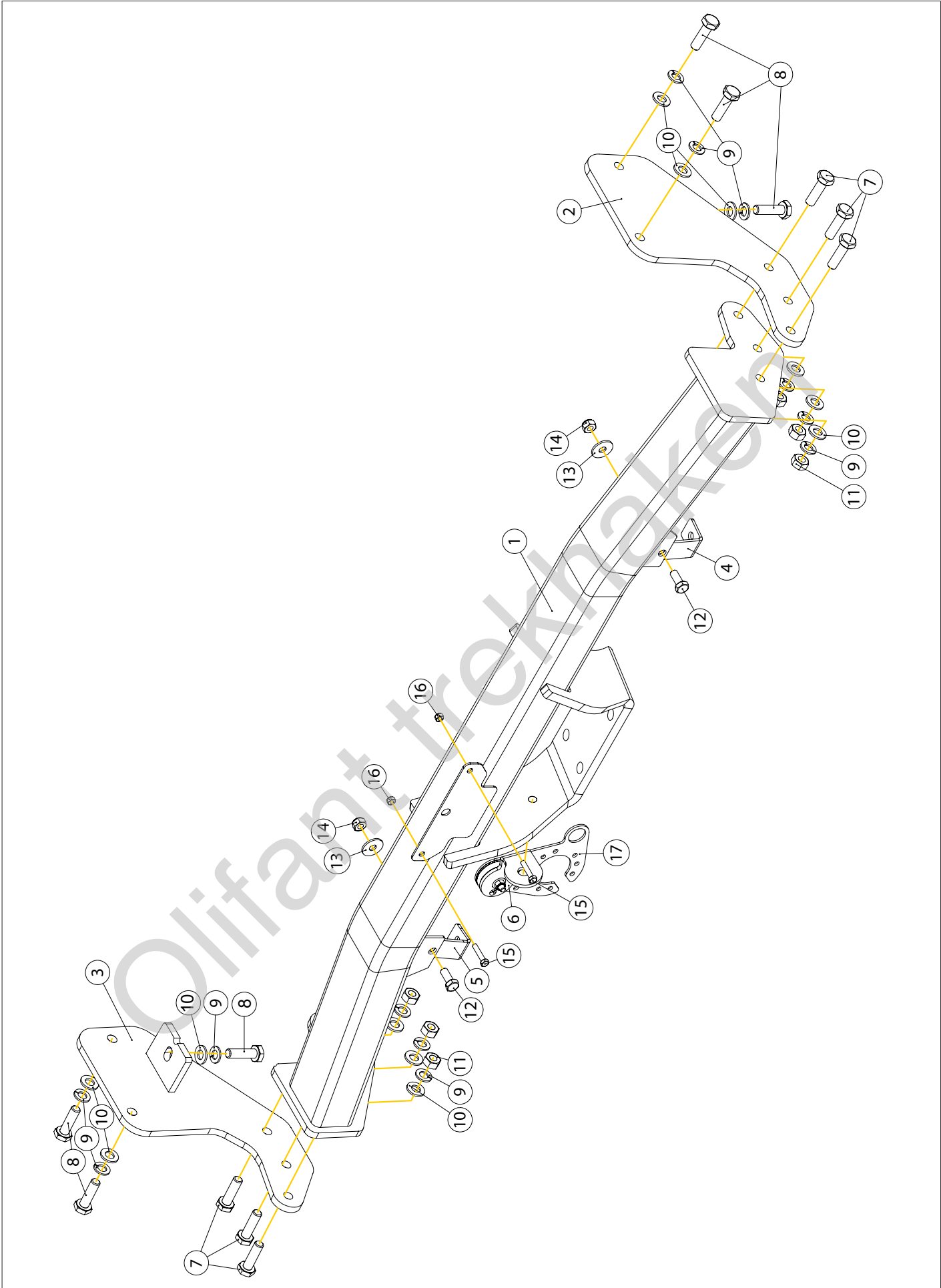


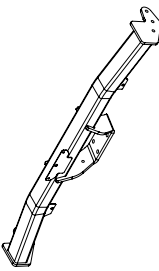
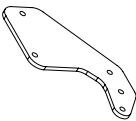
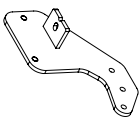

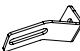

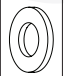

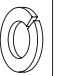


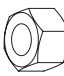




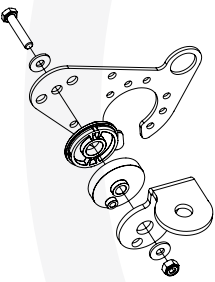
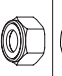



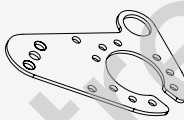


helpdesk@gdwtowbars.com
+32 56 62 77 79

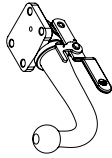

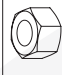

Monday	08:00 - 12:00	12:30 - 16:30
Tuesday	08:00 - 12:00	12:30 - 16:30
Wednesday	08:00 - 12:00	12:30 - 16:30
Thursday	08:00 - 12:00	12:30 - 16:30
Friday	08:00 - 12:00	12:30 - 15:30

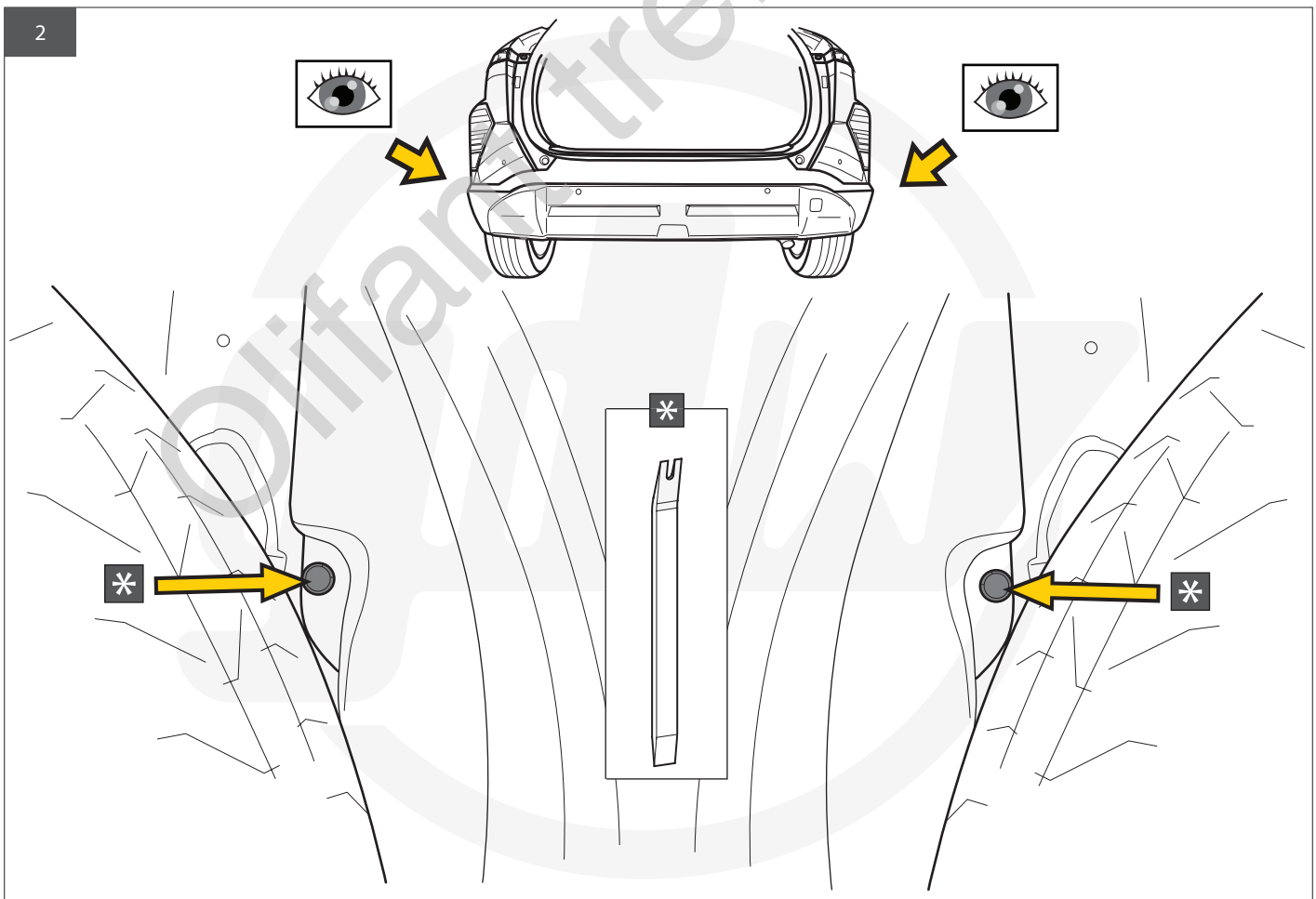
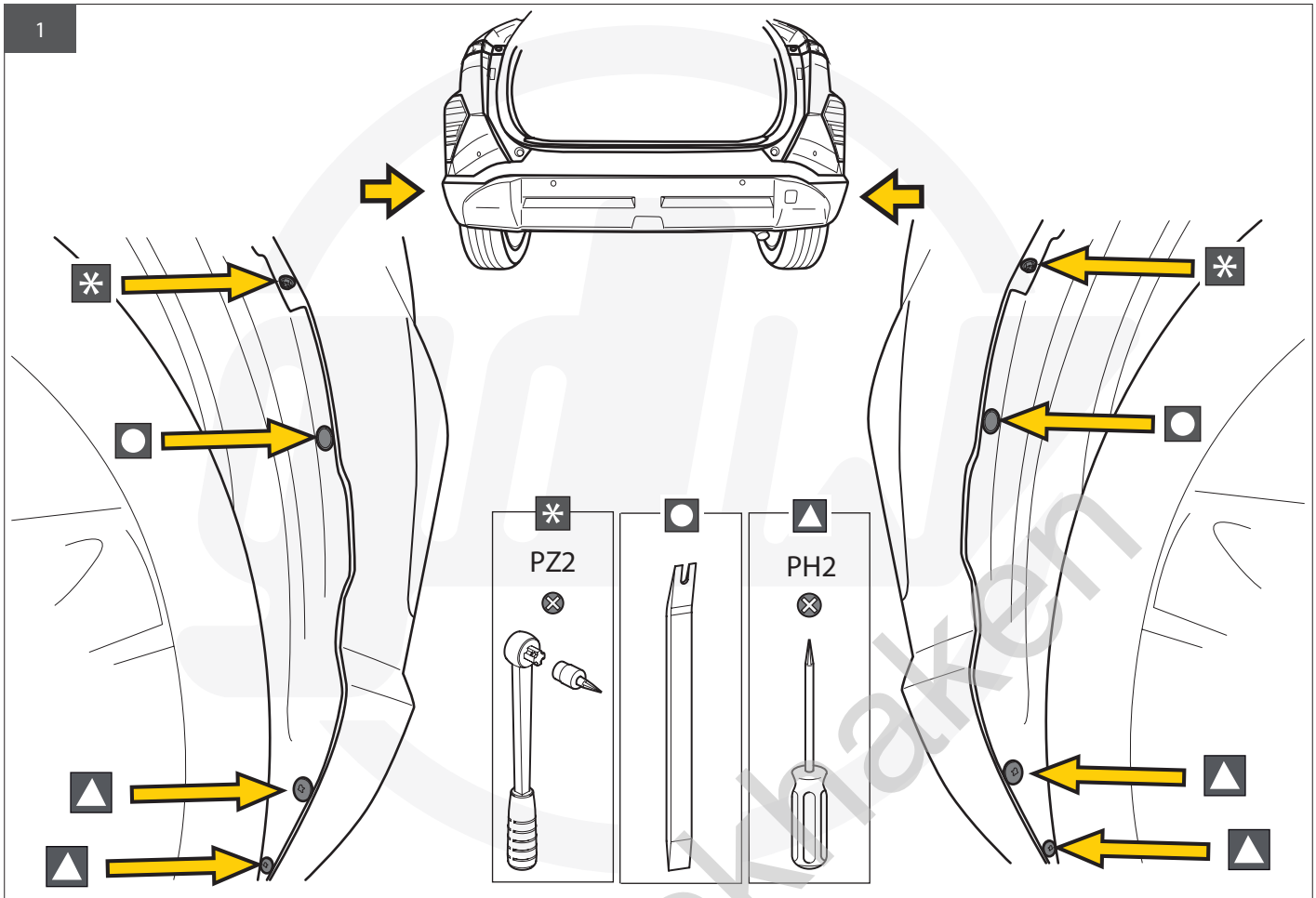


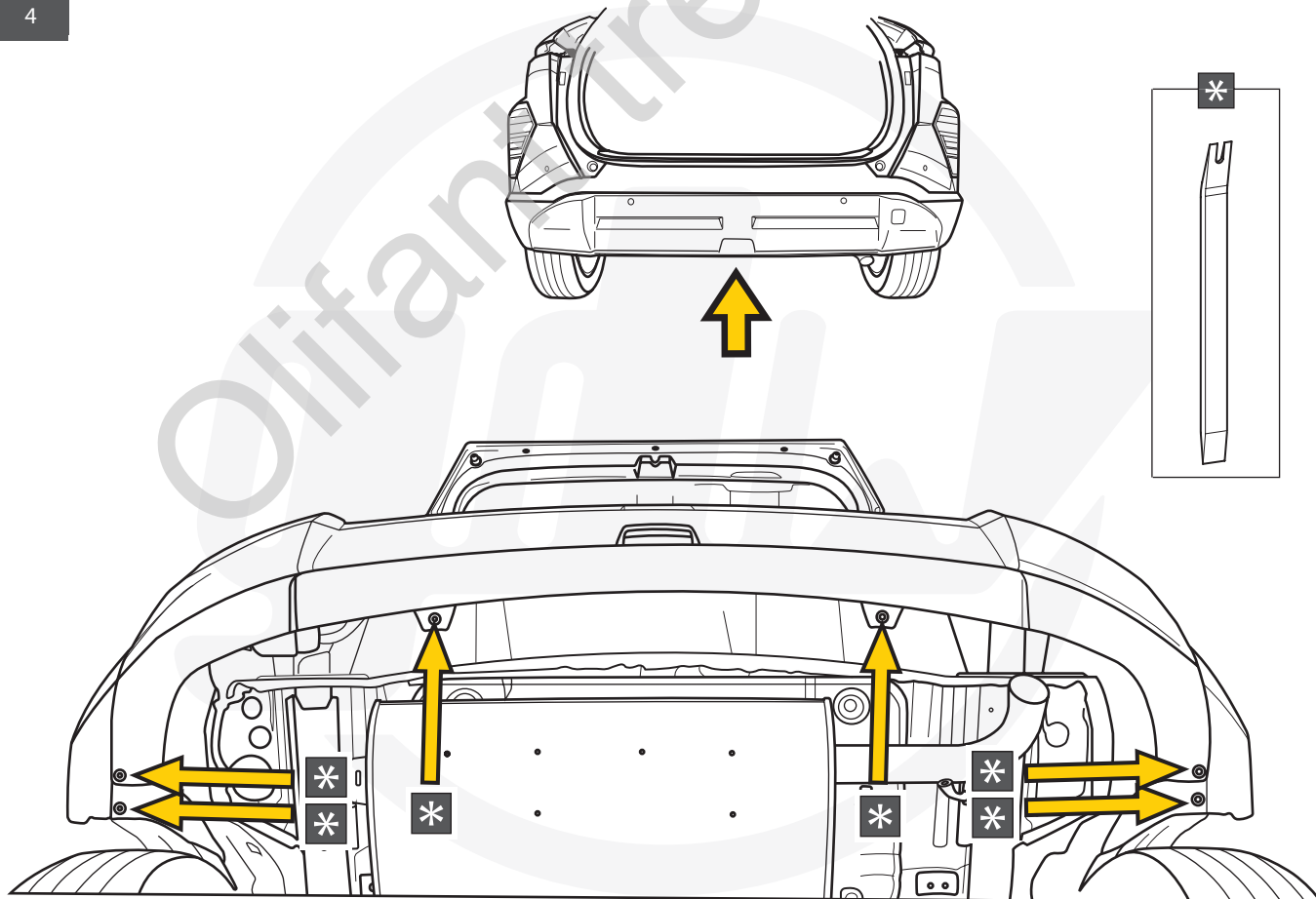
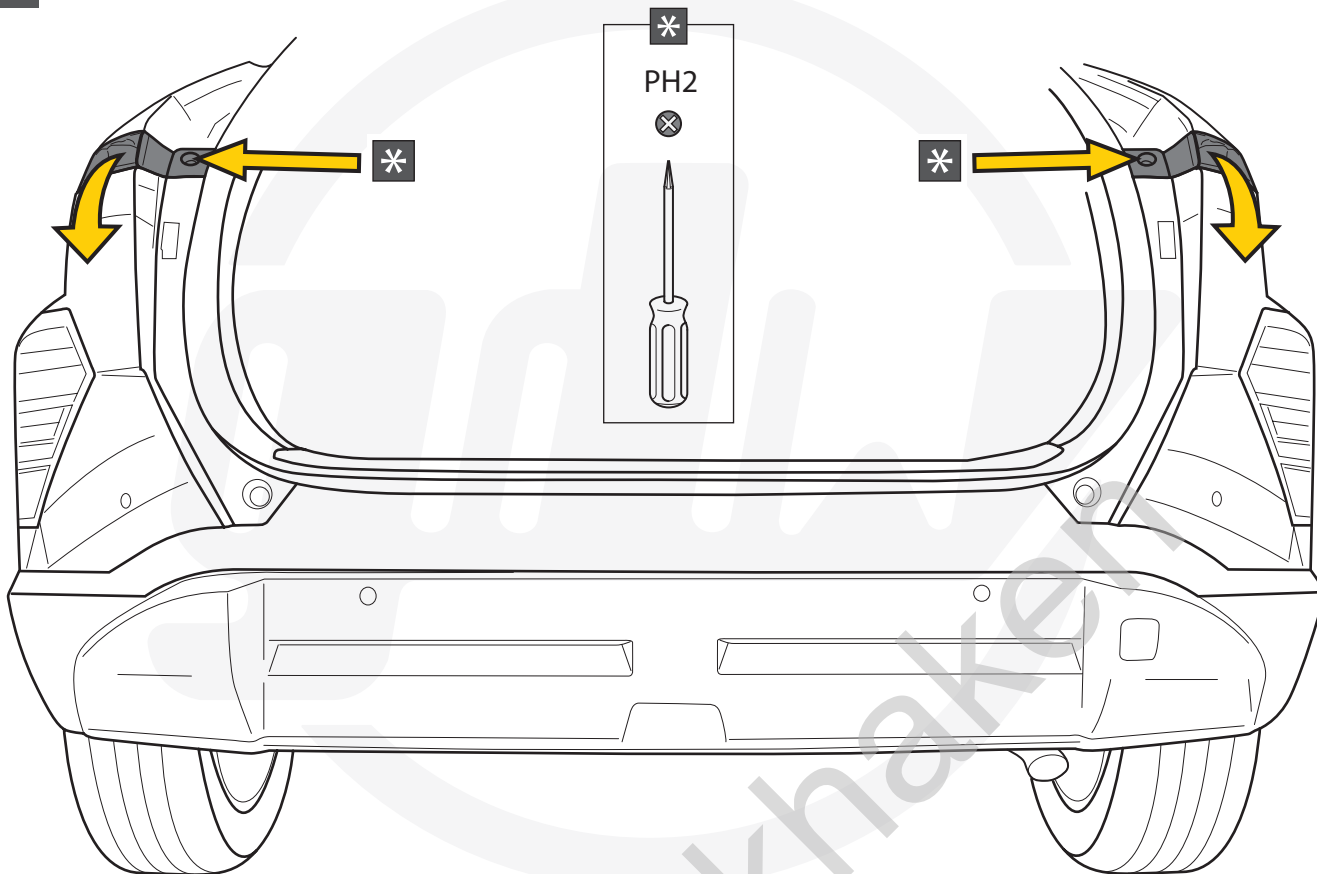


1		X1	GDW REF. 277.5T35
2		X1	GDW REF. 2
3		X1	GDW REF. 3
4		X1	GDW REF. 4
5		X1	GDW REF. 5
6		X1	GDW REF. 6
7		X8	DIN125-A12-140HV-ELVZ
8		X6	DIN933-M12X40
9		X18	DIN128A-M12
10		X10	DIN9021-M12-ELVZ
11		X10	DIN961-M12X35X1.25
12		X8	DIN934-M12
13		X2	DIN933-M12X50
-5		X1	GDW REF. 900.053

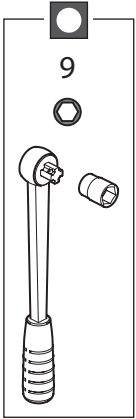
-P		X1	GDW REF. P38
L		X1	DIN985-M6
L		X2	6,2 X 15,4 X 1,6 (NYLON)
L		X1	GDW REF. 718.16.002
L		X1	GDW REF. 718.16.003
L		X1	GDW REF. 908.094
L		X1	ISO4017 M6 X 30
L		X1	GDW REF. 6

Geleverd met - Livré avec - Delivered with Gelevert mit - Elementos adjuntos-Leveres med		
	X1	930.L000
	X4	DIN912-M12 X 45
	X4	DIN934-M12
	X4	DIN128A-M12

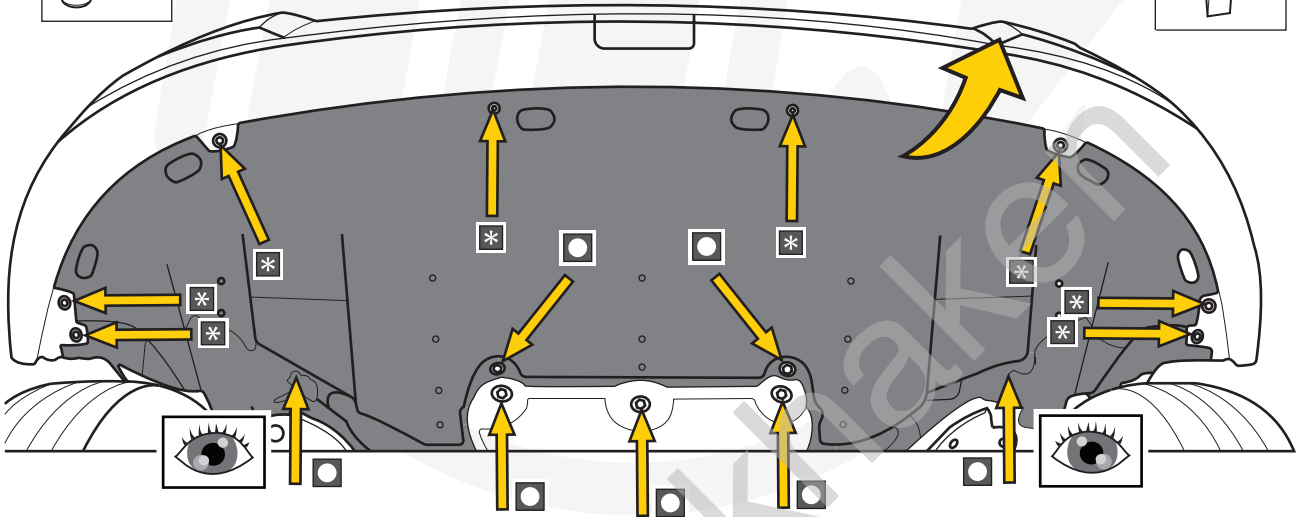
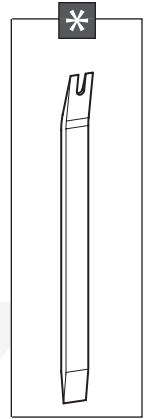
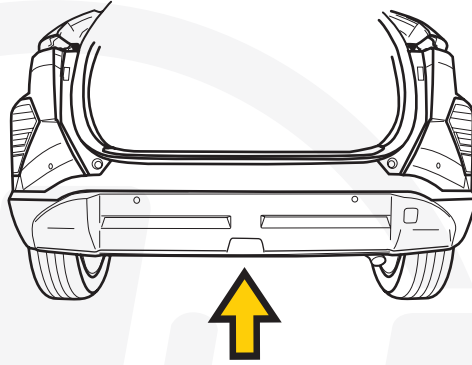




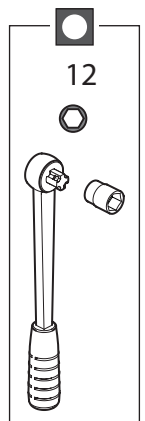
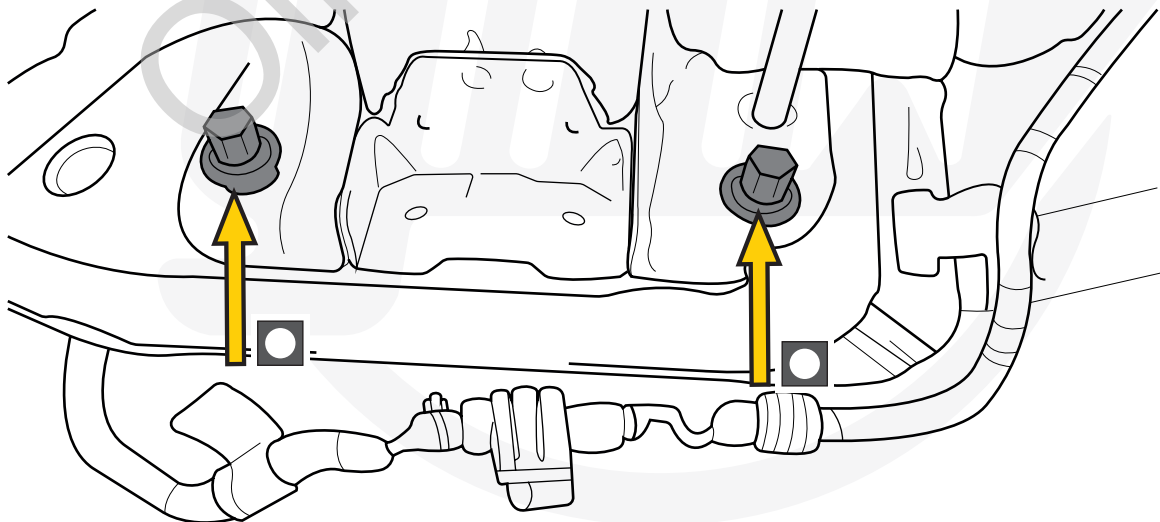
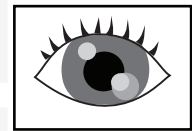
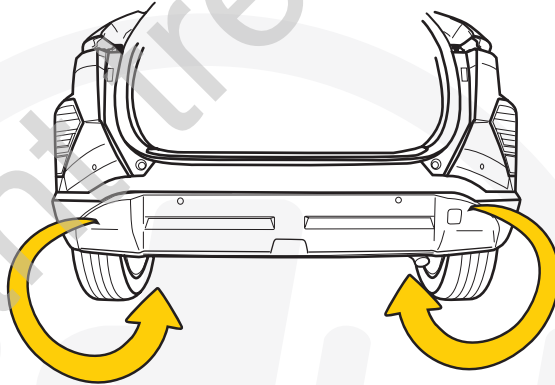
5

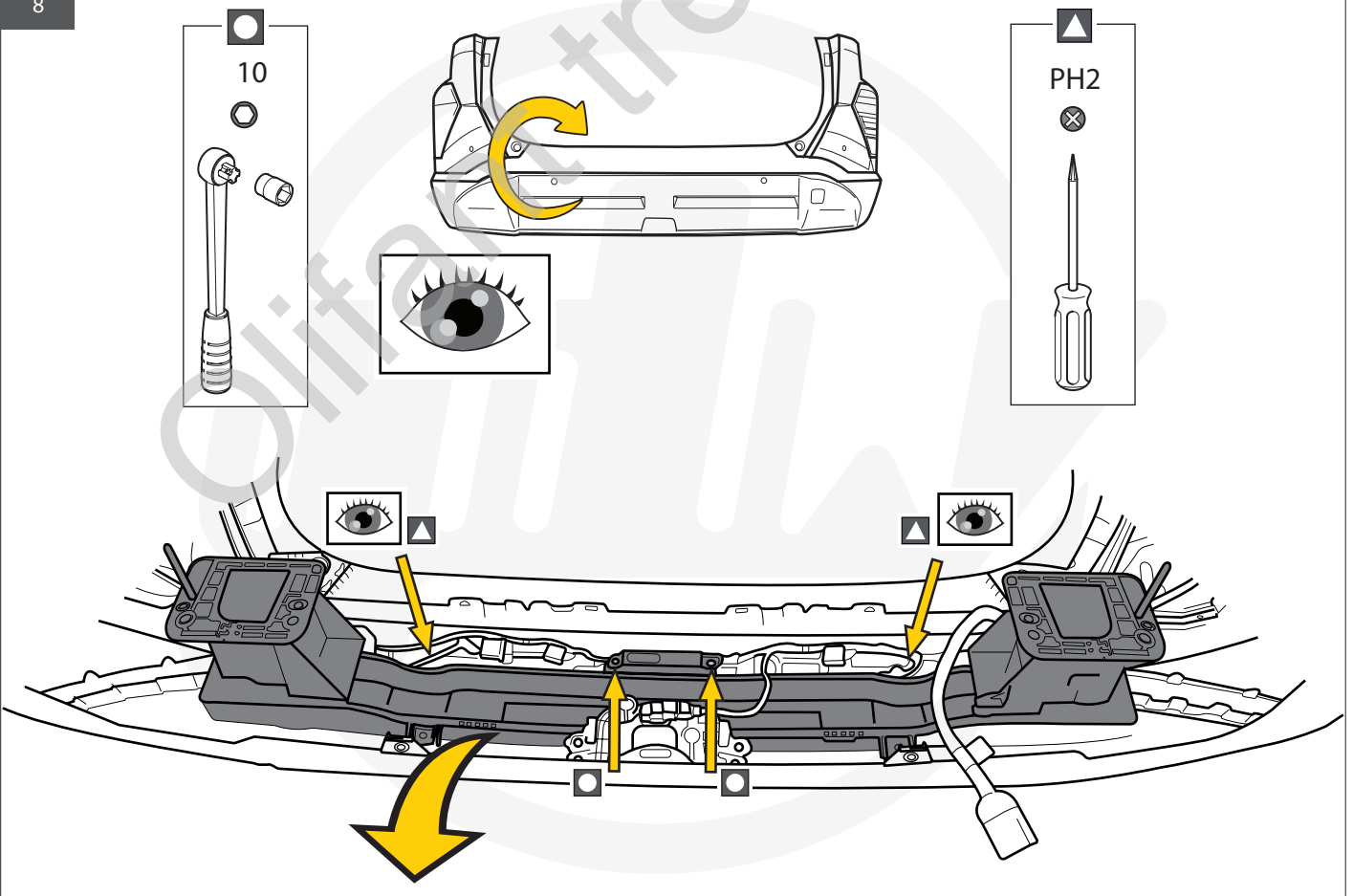
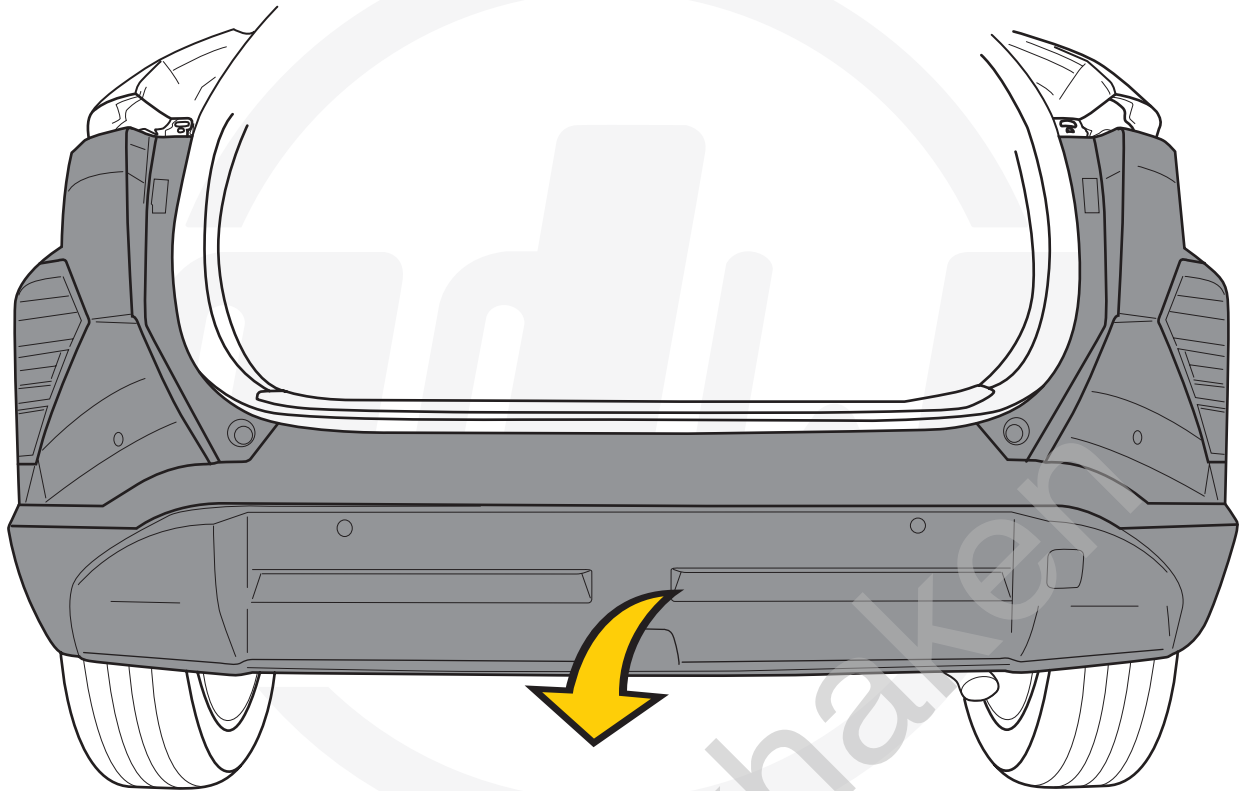


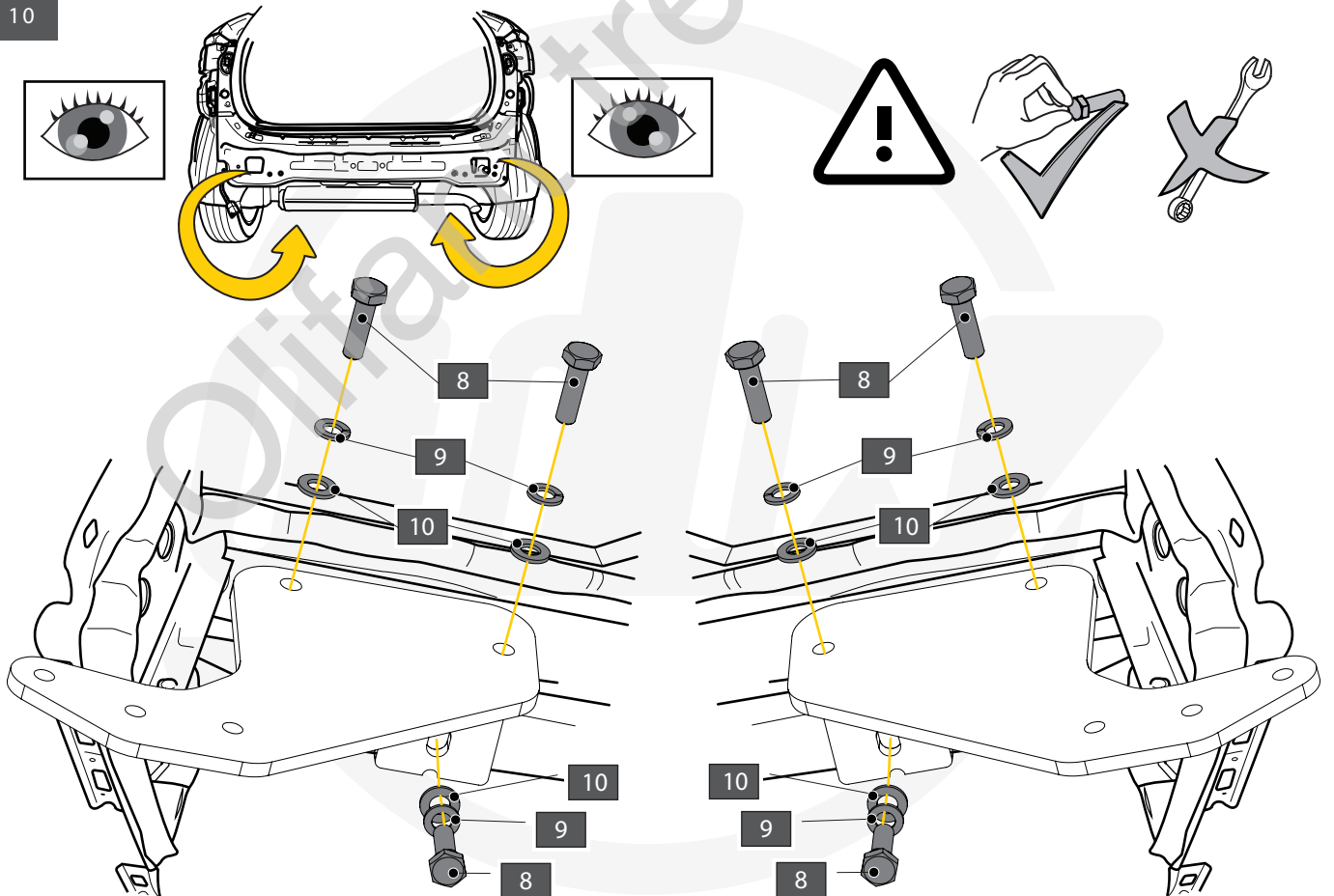
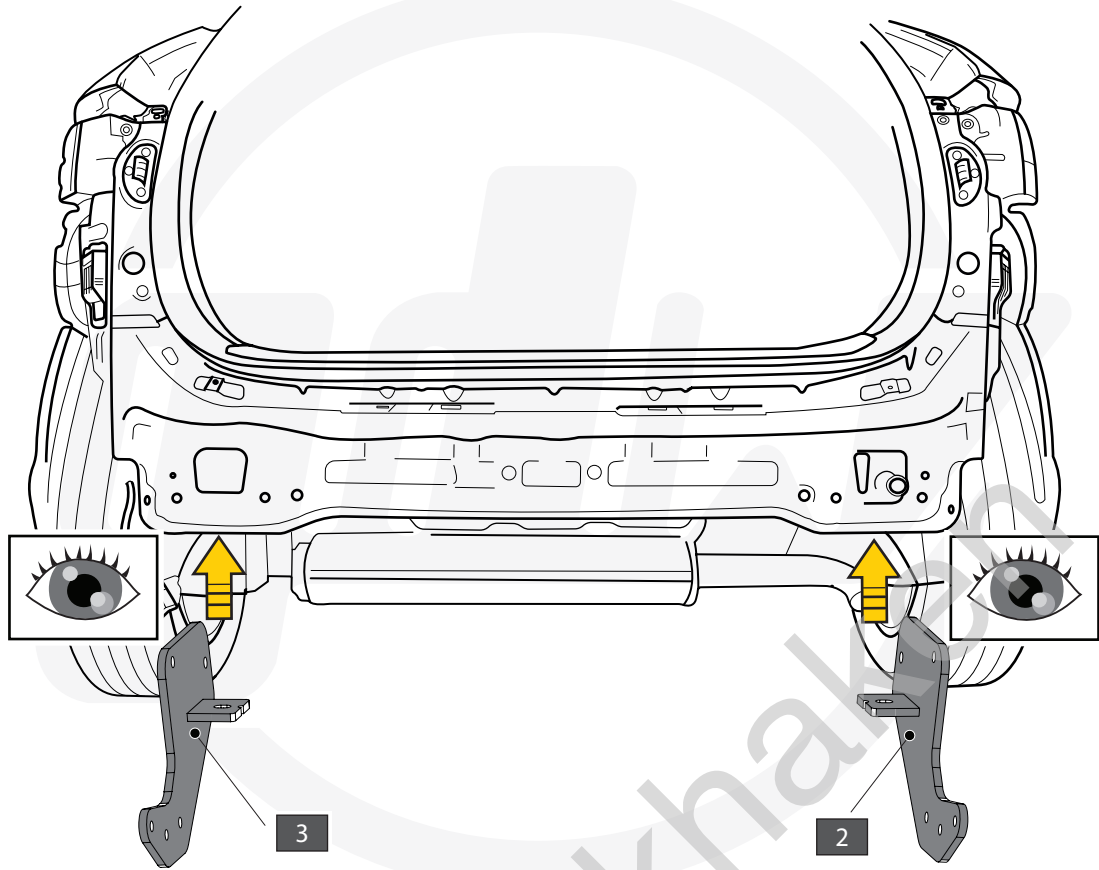
**KONA
EV**

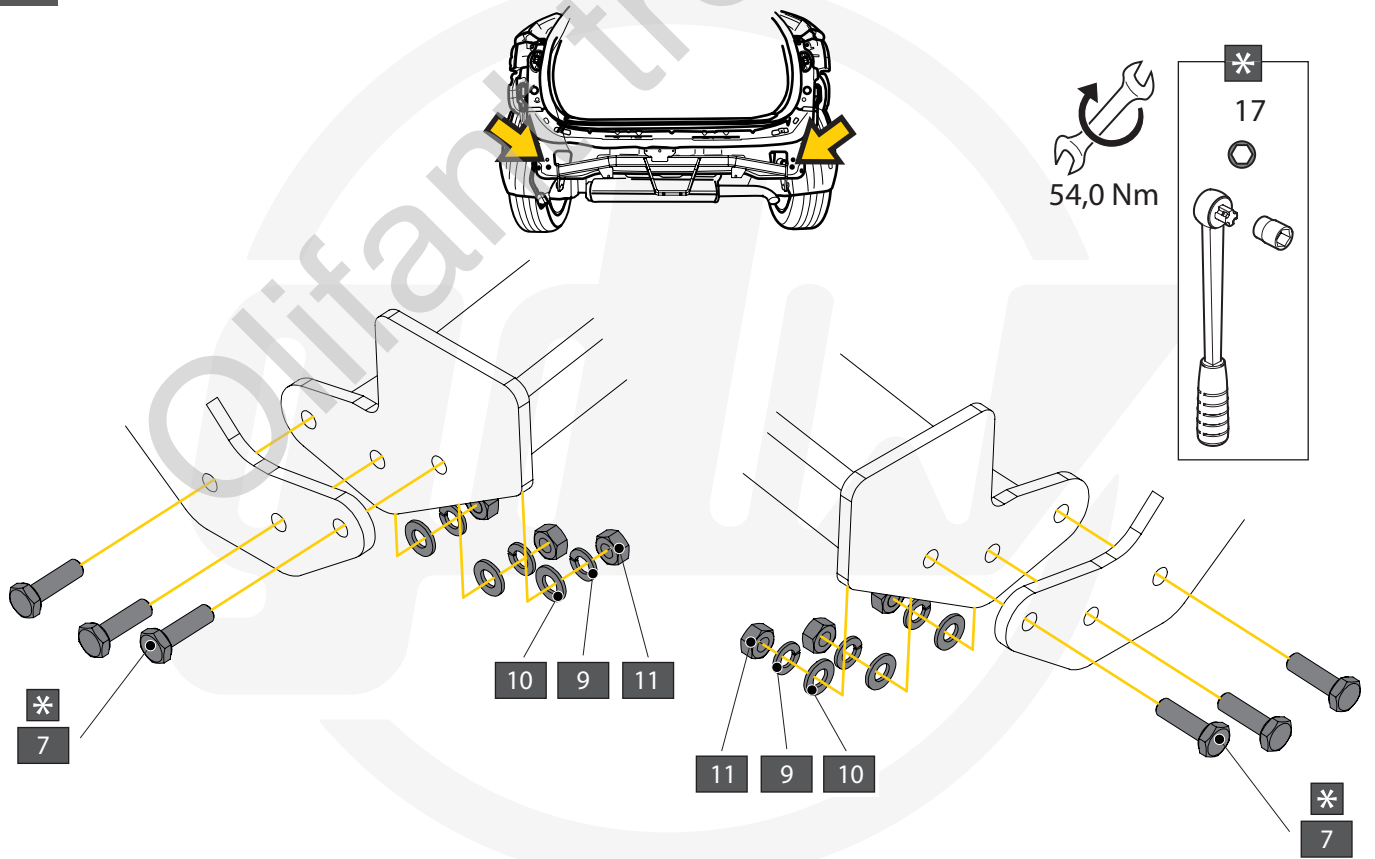
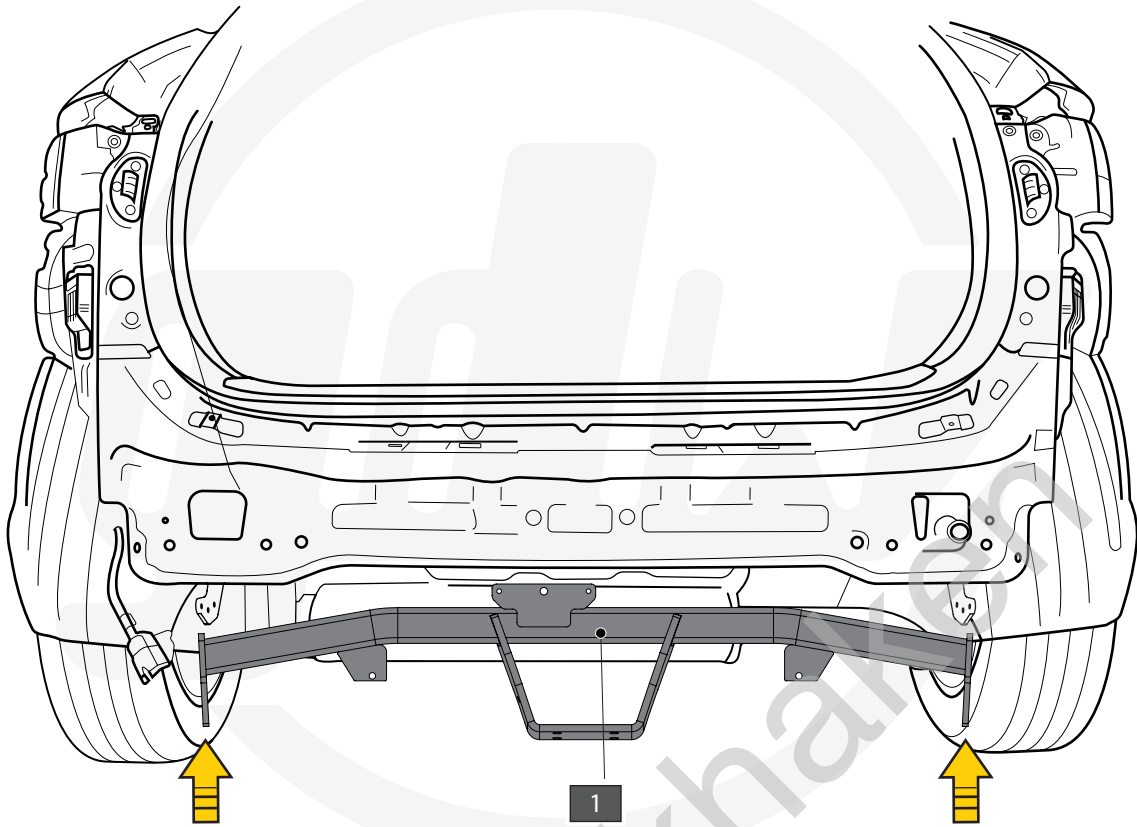


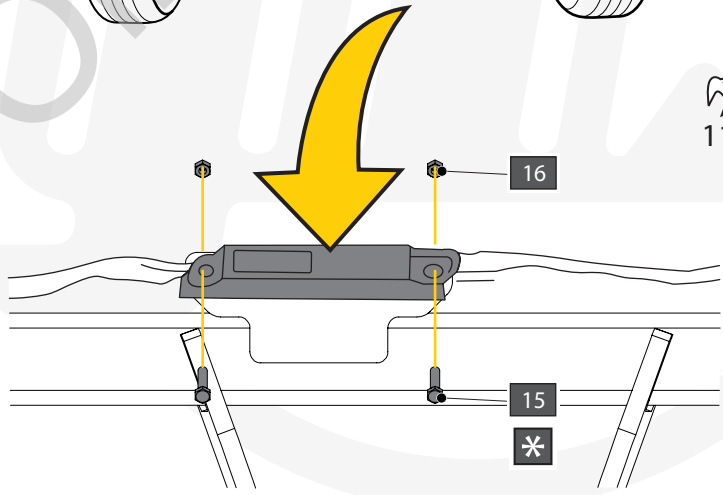
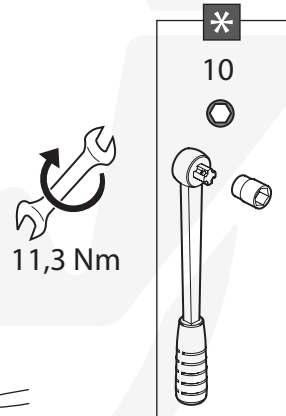
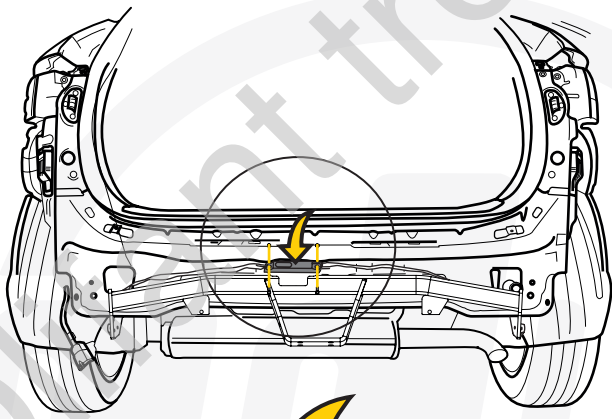
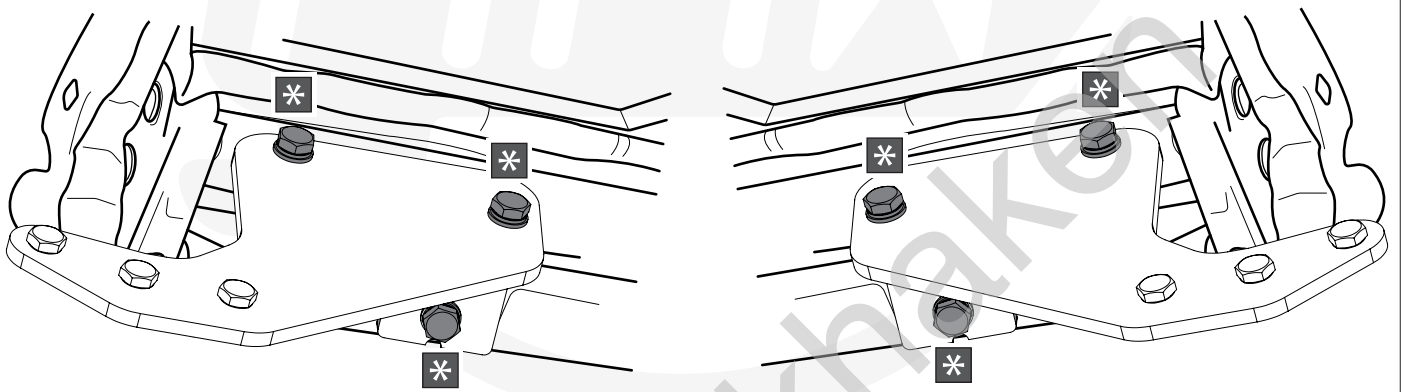
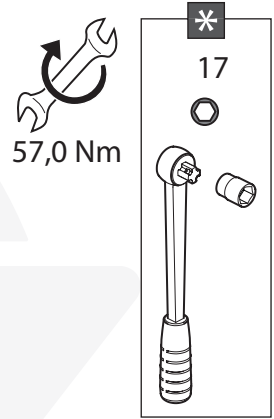
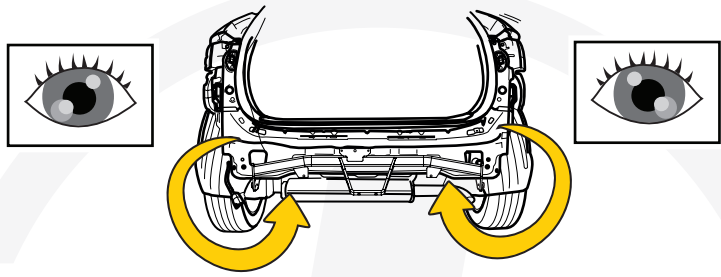
6

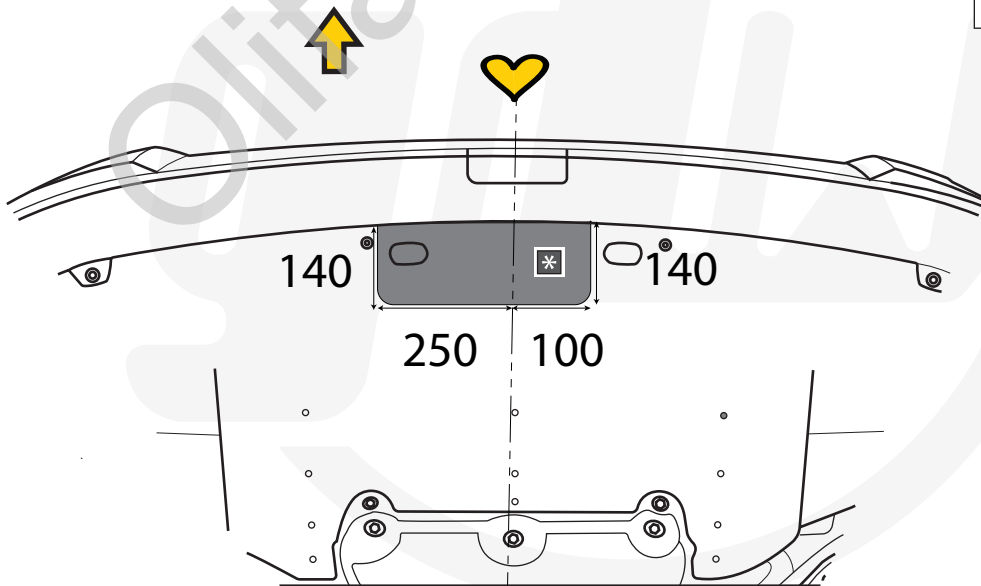
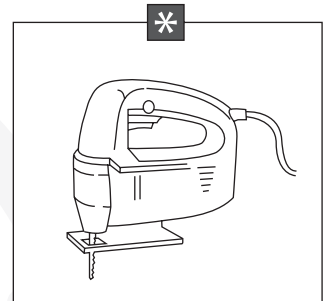
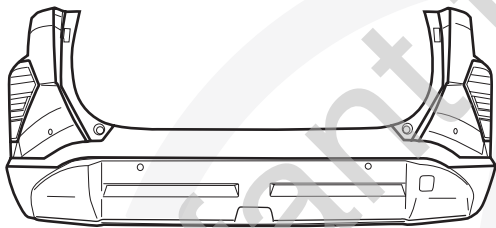
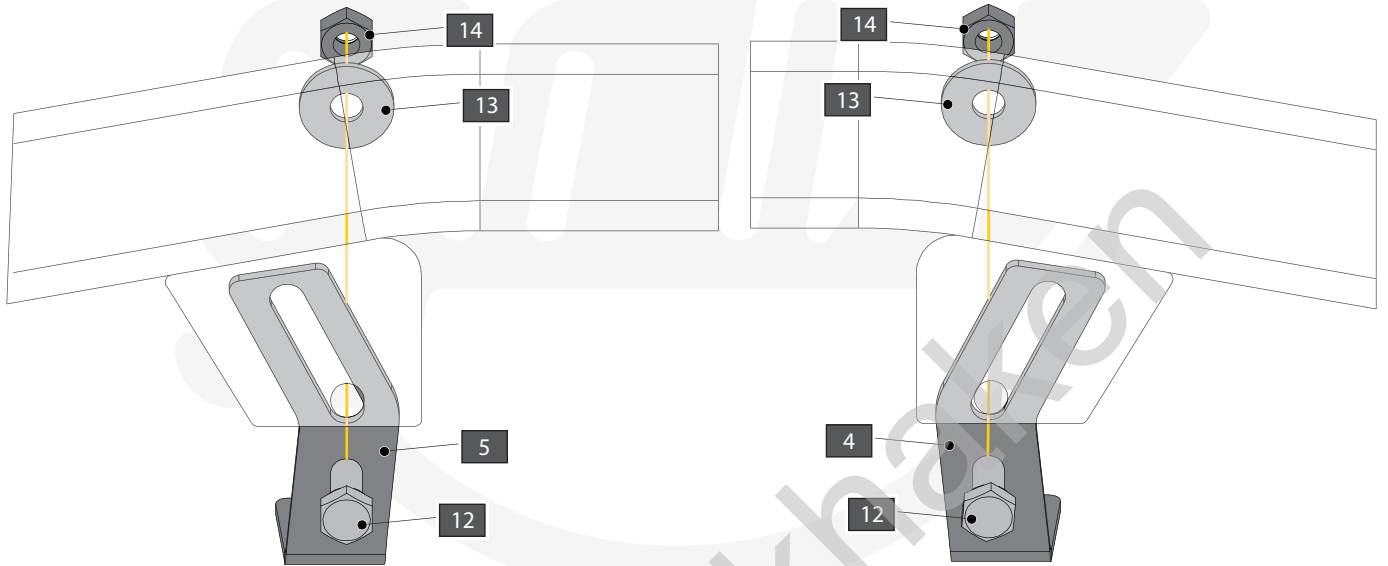
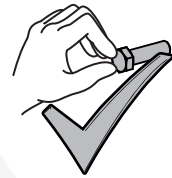
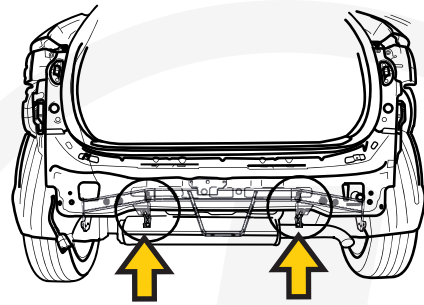






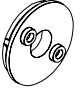
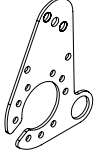
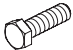


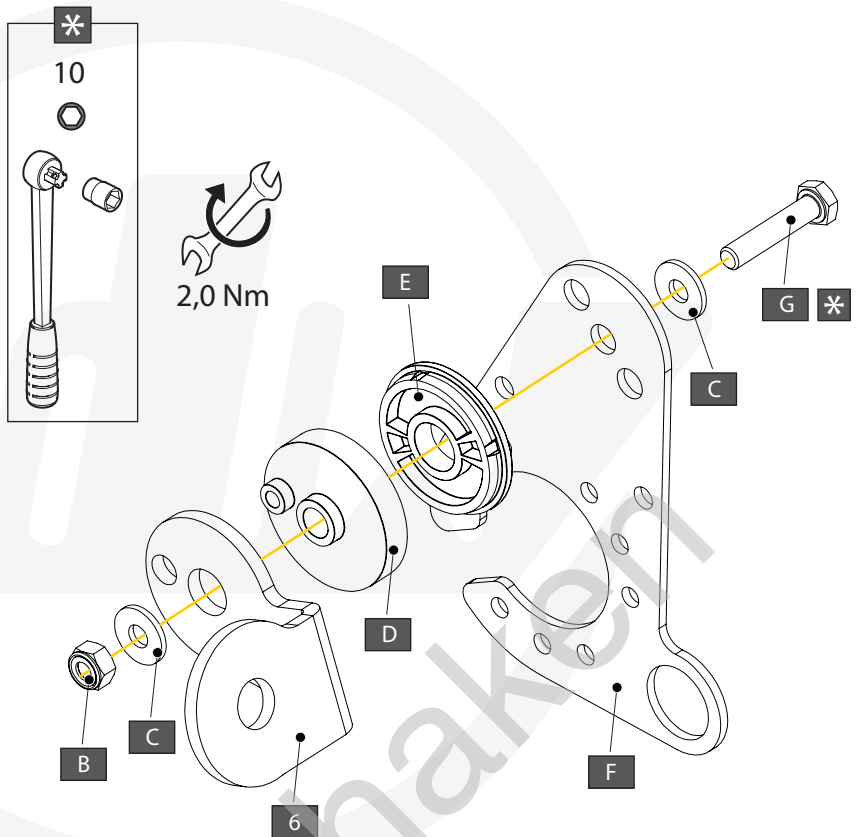


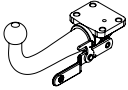
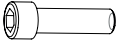





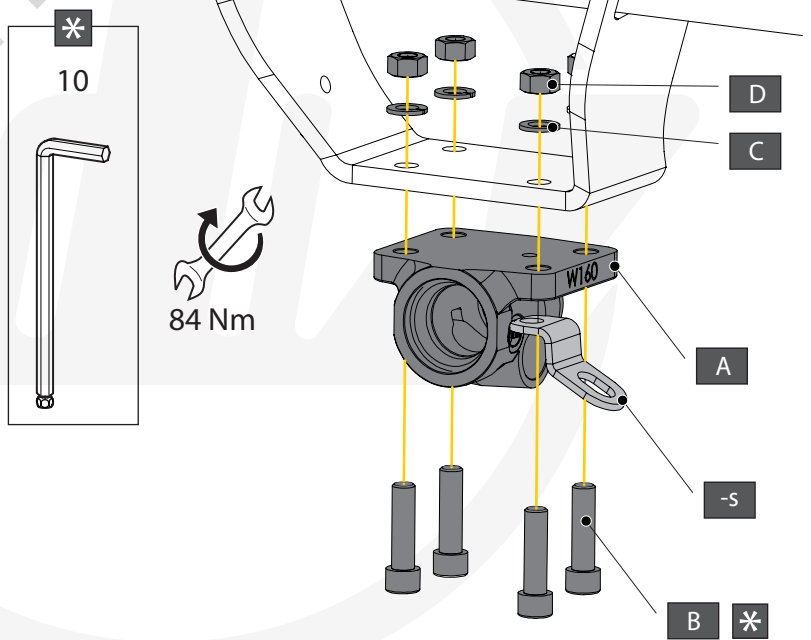


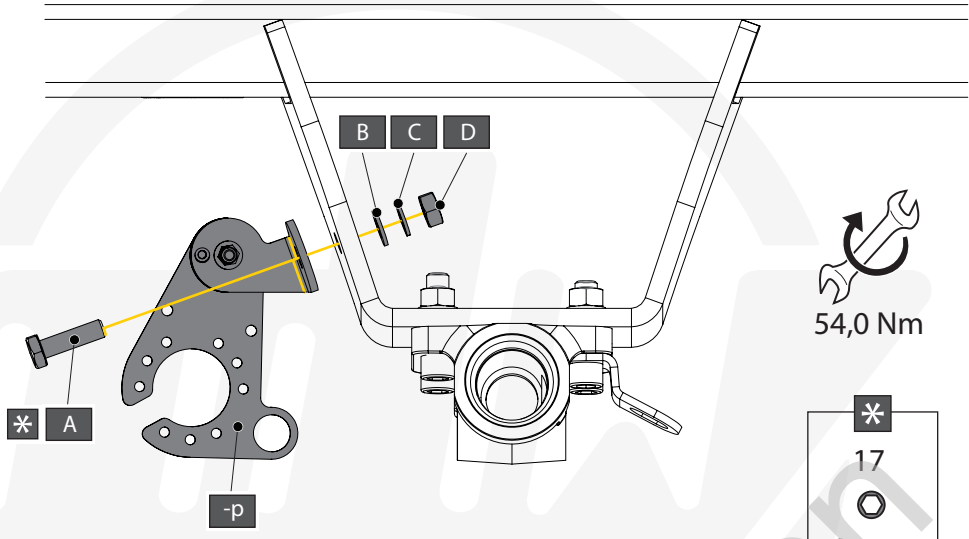


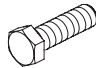



6		X1	GDW REF. 2775-100
B		X1	DIN985-M6
C		X2	6,2 X 15,4 X 1,6 (NYLON)
D		X1	GDW REF. 718.16.002
E		X1	GDW REF. 718.16.003
F		X1	GDW REF. 908.094
G		X1	DIN933-M6 X 30

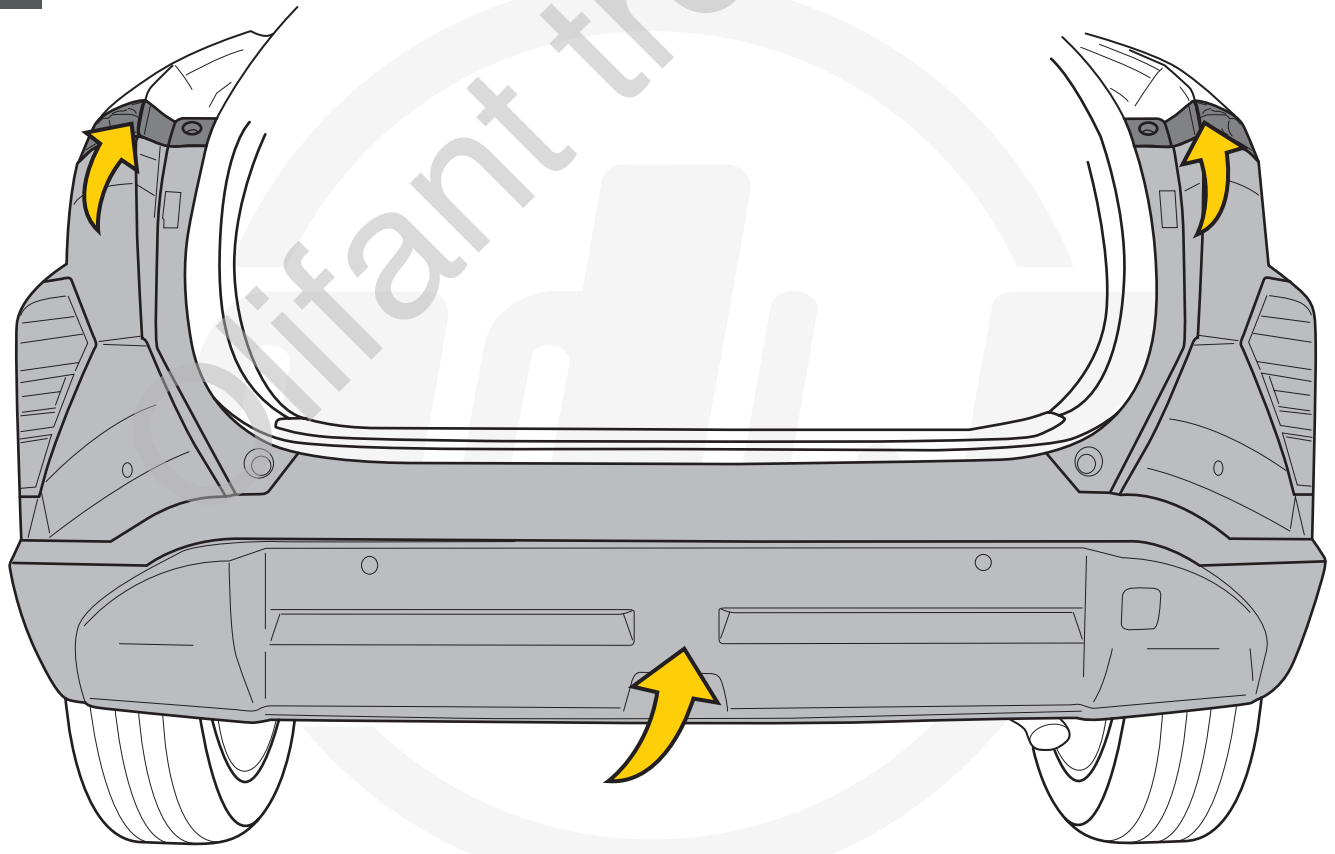
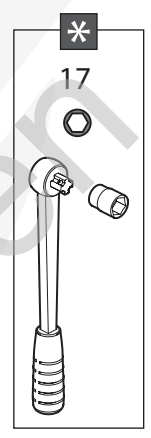


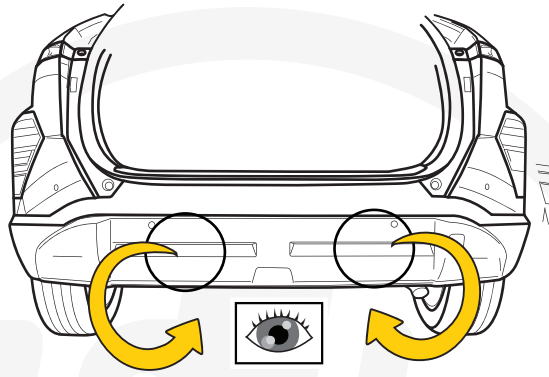
A		X1	930.L000
B		X4	DIN912-M12 X 45
C		X4	DIN128A-M12
D		X4	DIN934-M12
-S		X1	900.058



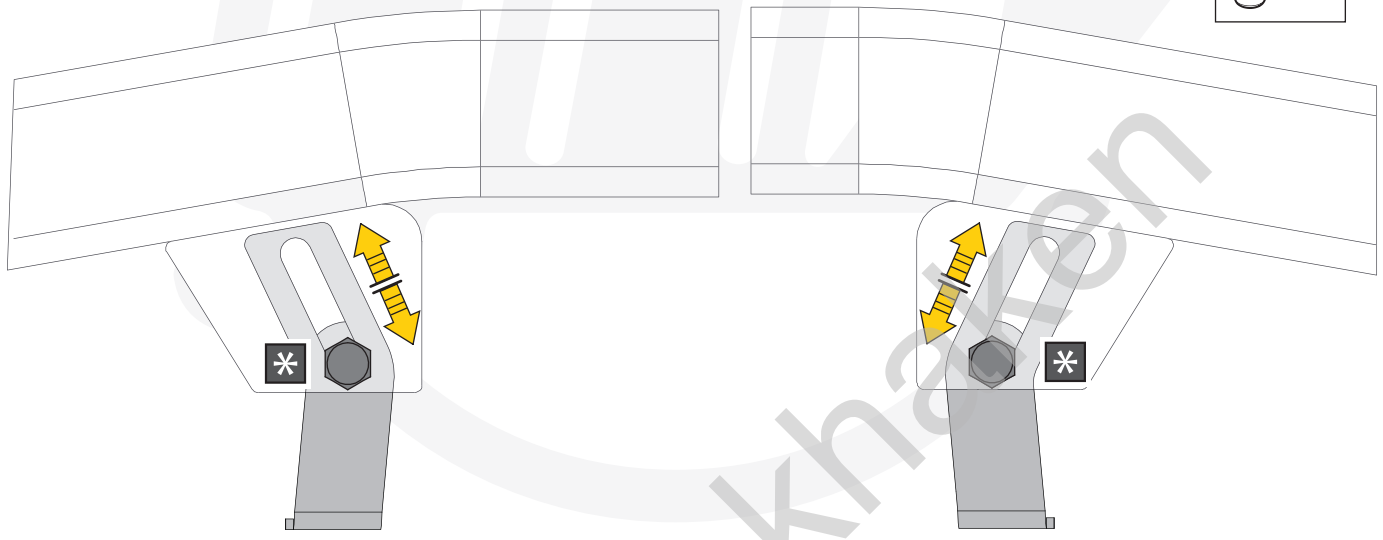
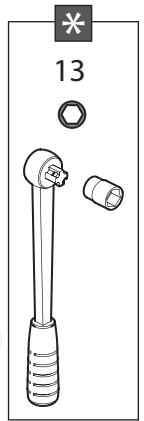


- A  X1 DIN933-M10 X 35
- B  X1 DIN125A-M10
- C  X1 DIN128A-M10
- D  X4 DIN934-M10






27,3 Nm



Olifant trekhaak