

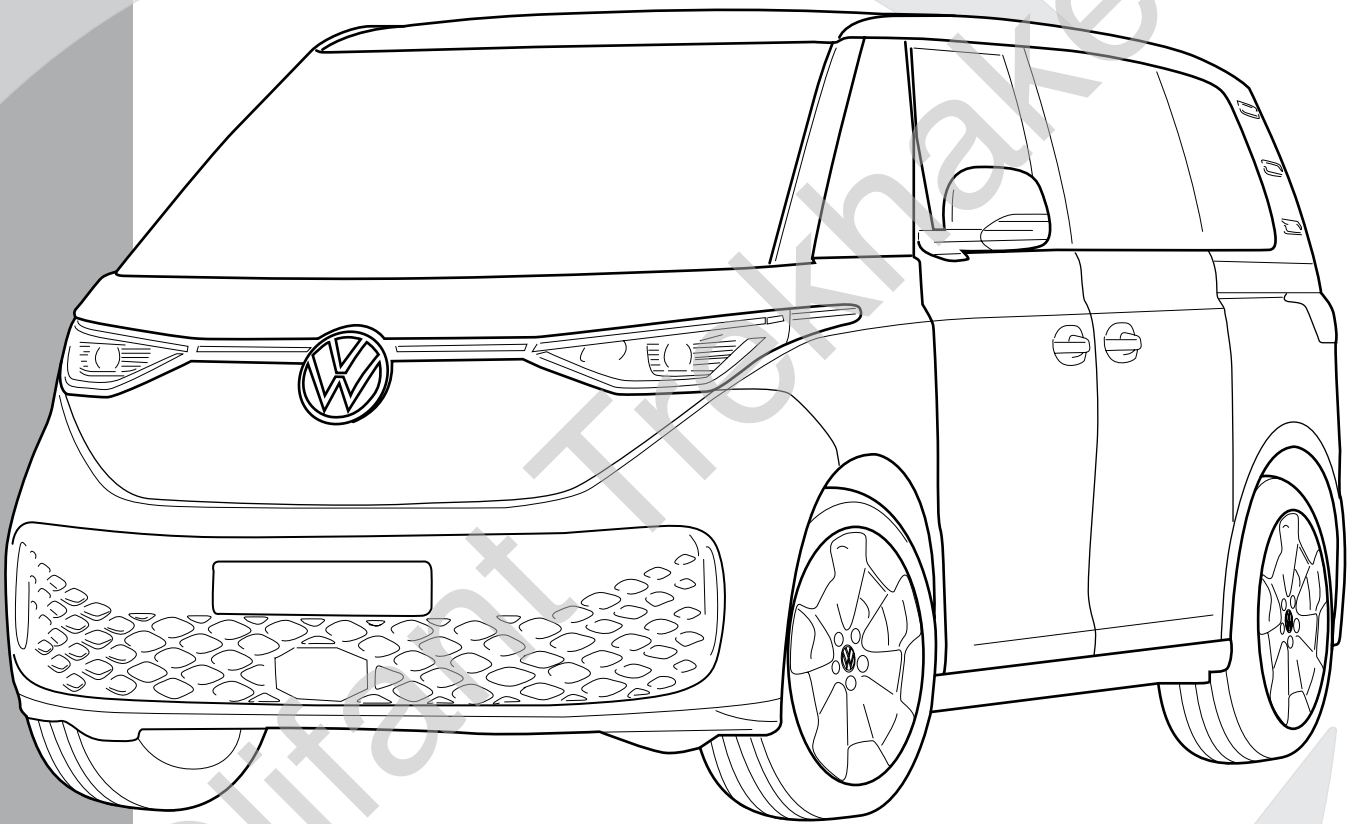


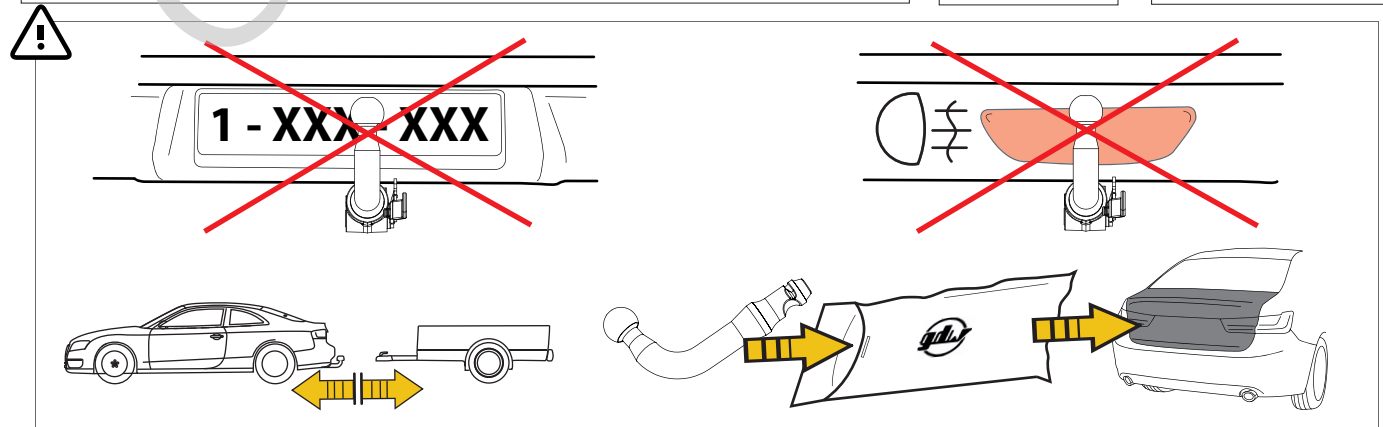
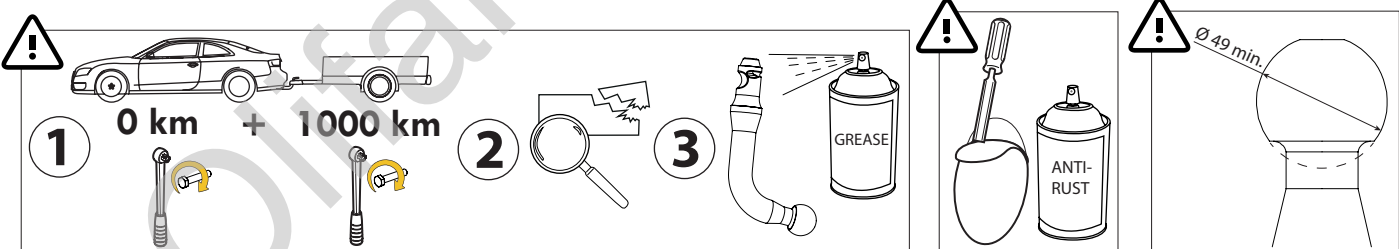
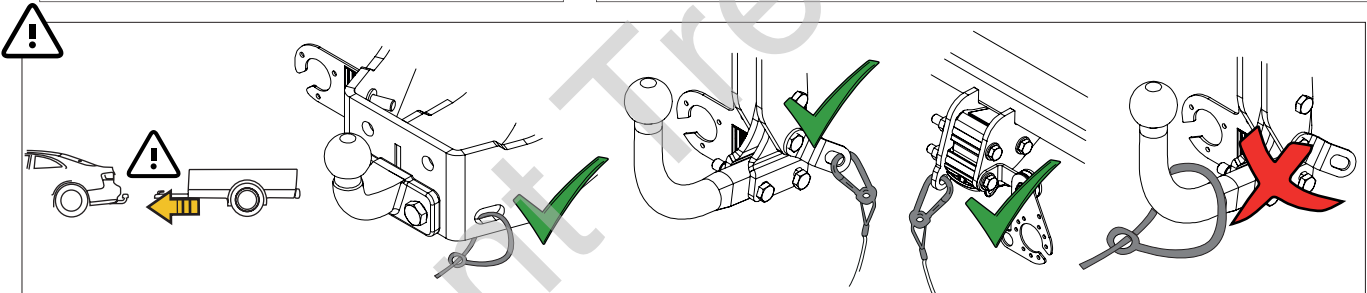
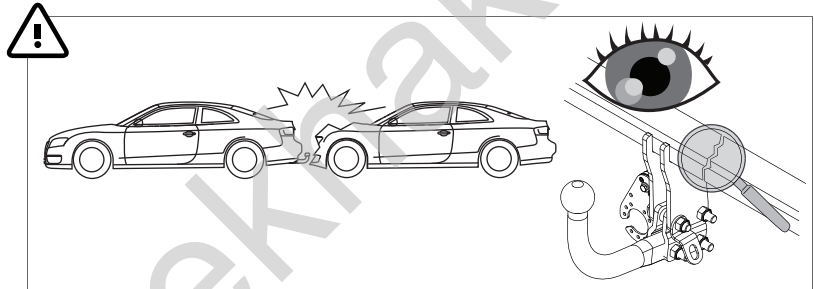
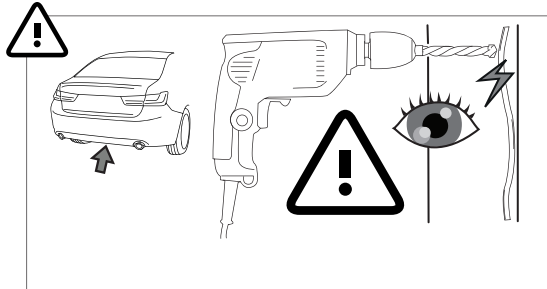
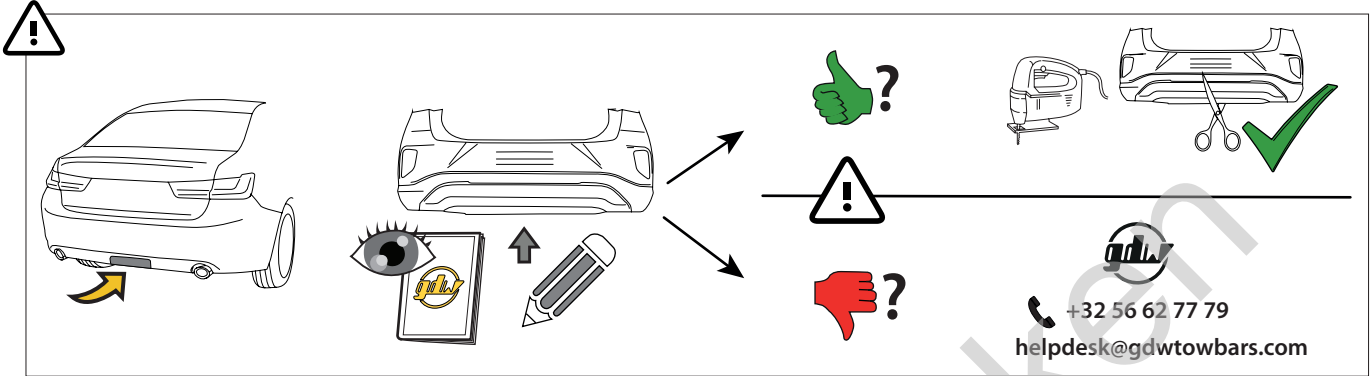
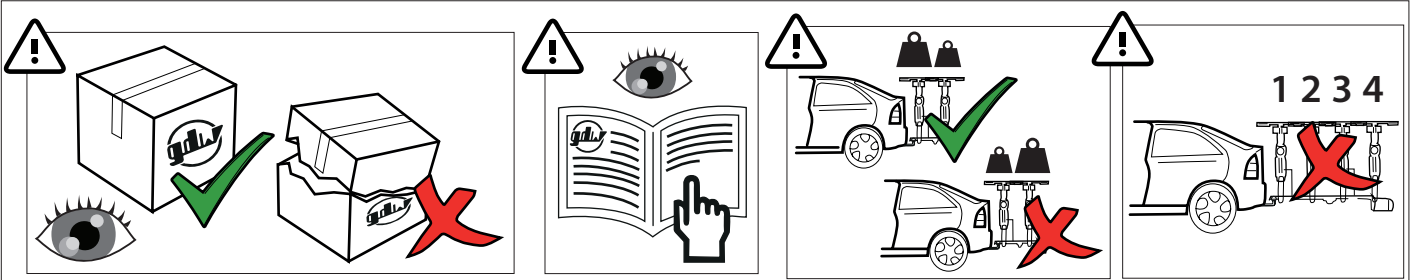
TREKHAKEN • ATTELAGES • ANHÄNGERVORRICHTUNGEN • TOWBARS • ENHANCES • ANHÆNGERTRÆK • GANCI DI TRAINO

Montagehandleiding | instructions de montage | Einbauanleitung | Mounting instruction  
Instrucciones de montaje | monteringsvejledning | istruzioni di montaggio



# Volkswagen ID.Buzz (type EBA, EBB) 04/'22 -





MADE BY



**D 11,51**

**F**

**E6**

BELGIUM

**S 100**

EC-N°

55R- 02 1794

REF N°

2768T60

SERIAL N°

XXXX

DESCRIPTION

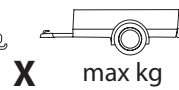
Volkswagen ID.Buzz 04/'22-



D =



max kg



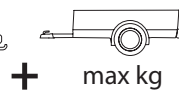
max kg

X

X 0.00981 ≤ 11,51 kN



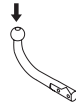
max kg



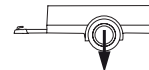
max kg

+

S =



≤ 100 kg



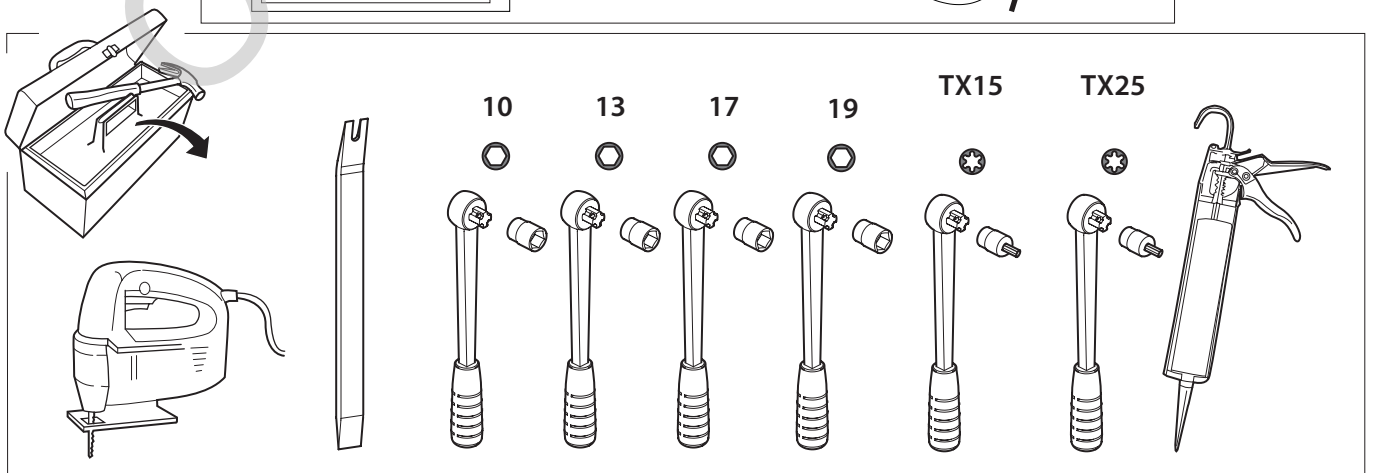
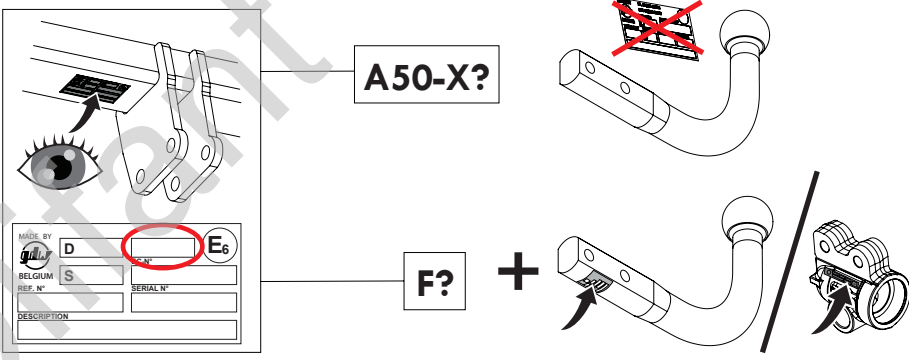
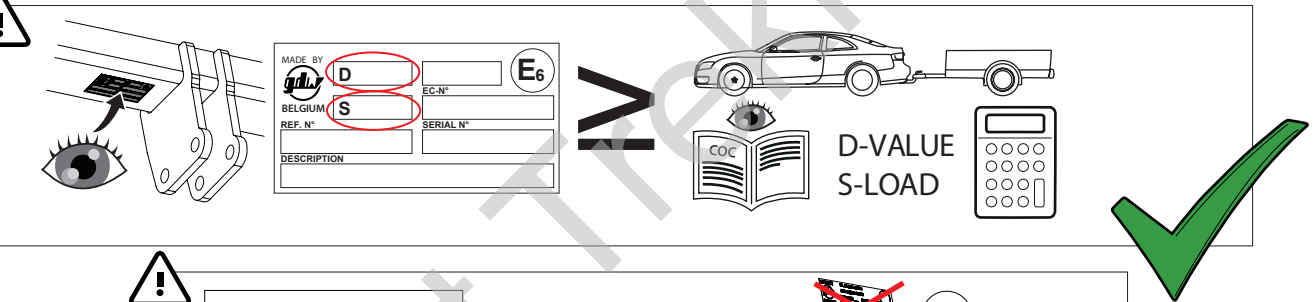
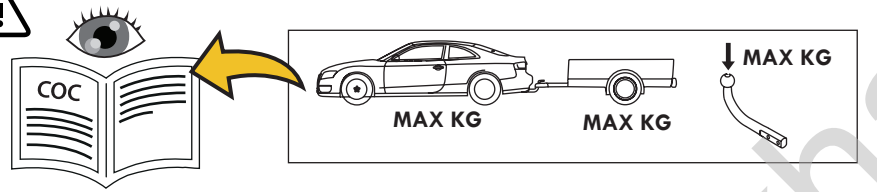
≤ 1000 kg

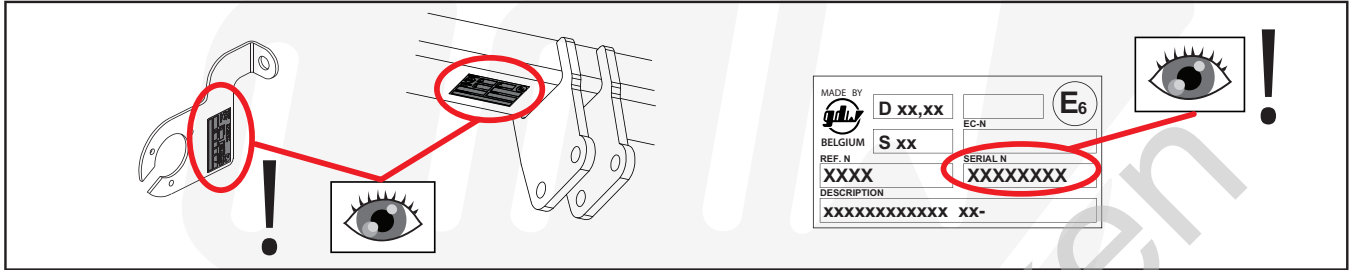


See the Certificate Of Conformity (COC) of your vehicle or contact your dealer to verify the max. trailer weight of your car!



See the user manual of the vehicle for correct use of bicycle carriers!



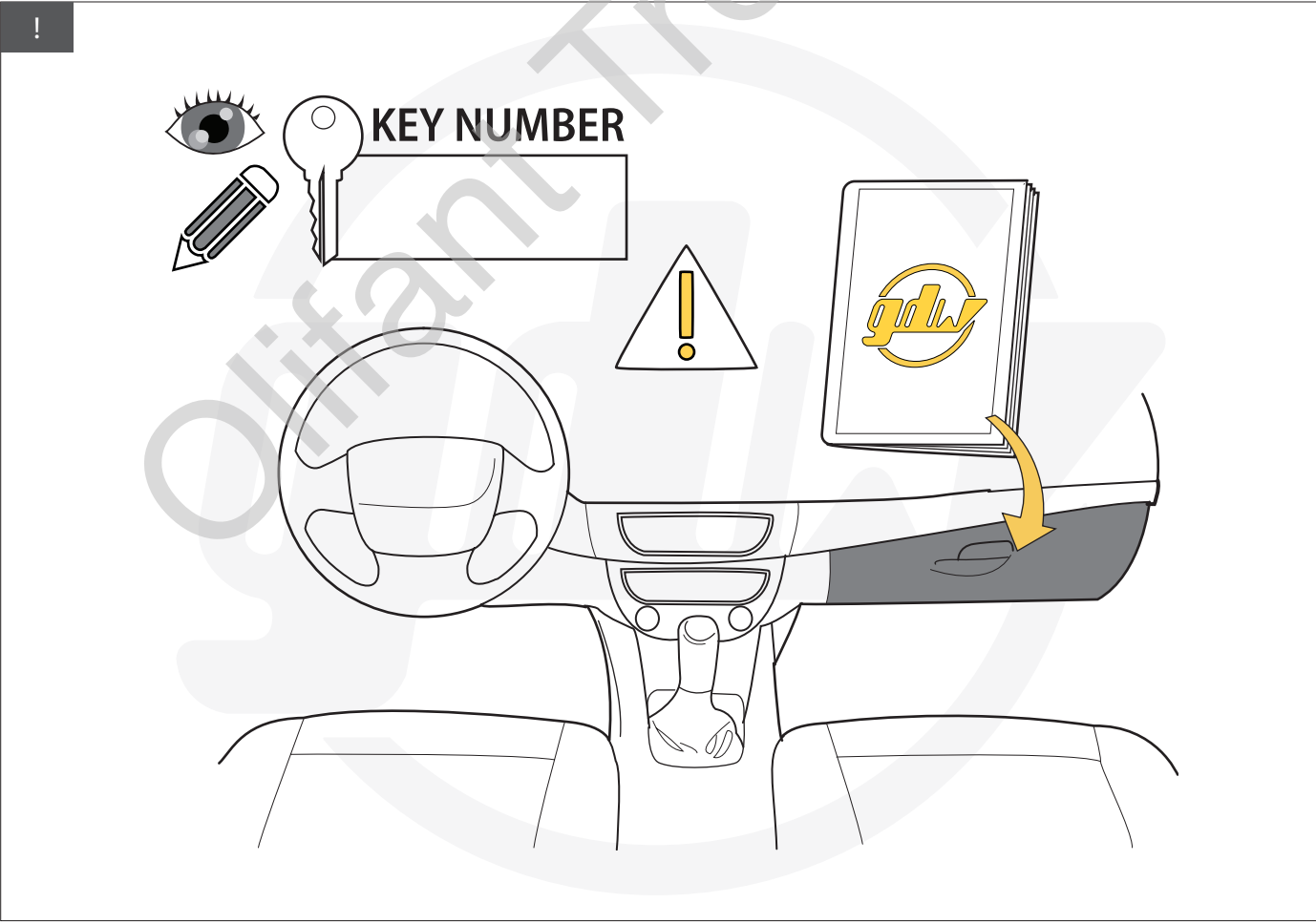


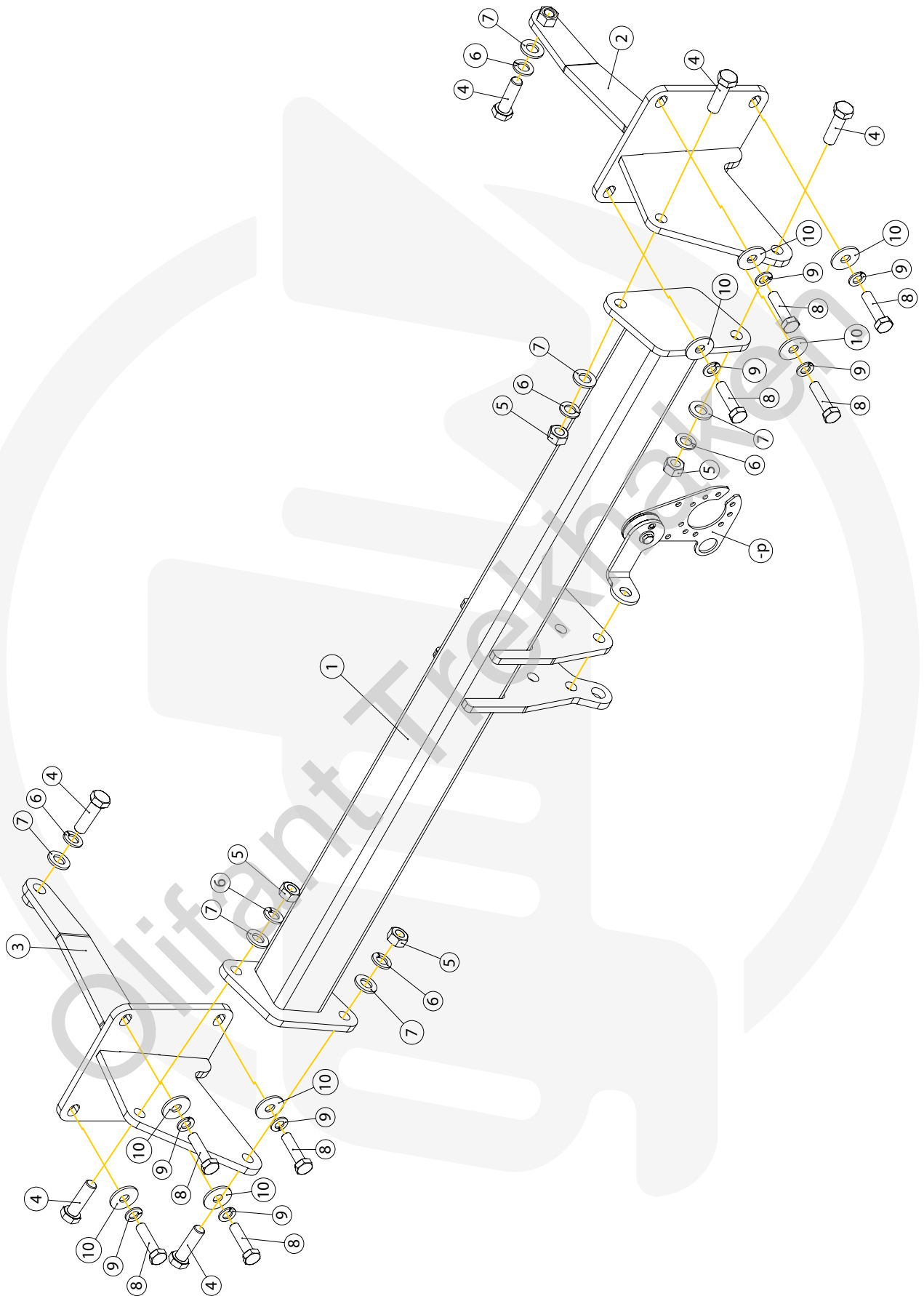


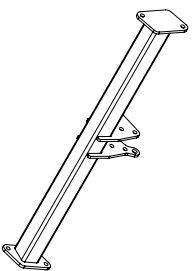
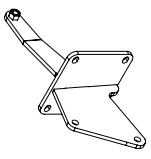
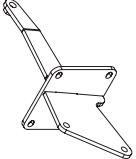


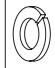
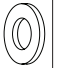




**helpdesk@gdwtowbars.com**

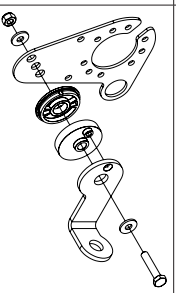




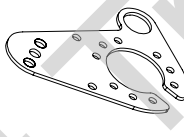


**+32 56 62 77 79**

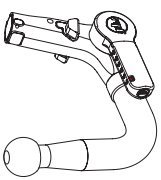
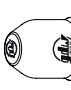
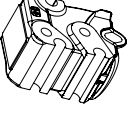


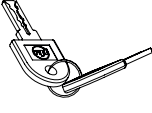

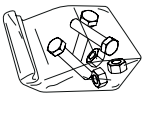


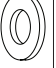

Monday	08:00 - 12:00	12:30 - 16:30
Tuesday	08:00 - 12:00	12:30 - 16:30
Wednesday	08:00 - 12:00	12:30 - 16:30
Thursday	08:00 - 12:00	12:30 - 16:30
Friday	08:00 - 12:00	12:30 - 15:30



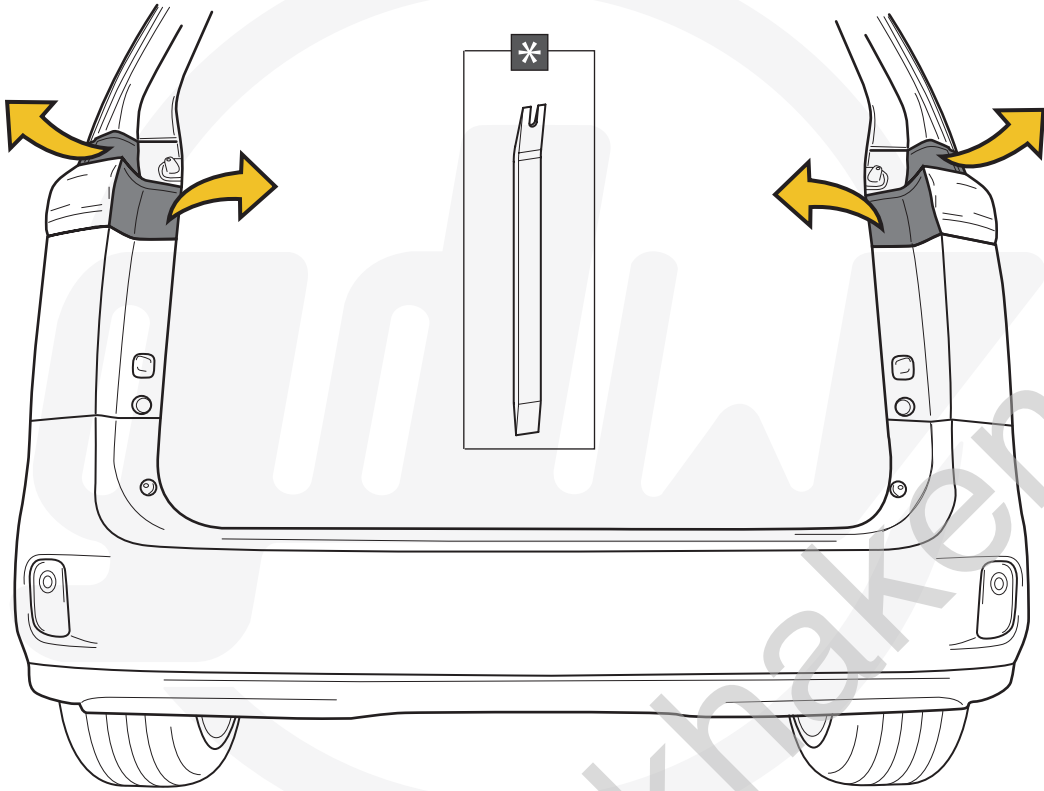


1		X1	GDW REF. 2768160
2		X1	GDW REF. 2
3		X1	GDW REF. 3
4		X6	DIN933-M12 X 40
5		X4	DIN934-M12
6		X6	DIN128A-M12
7		X6	DIN125-A12-140HV-ELVZ
8		X8	DIN933-M10 X 40
9		X8	DIN128A-M10
10		X8	DIN9021-M10-ELVZ
-V		X1	GDW REF. 908.102

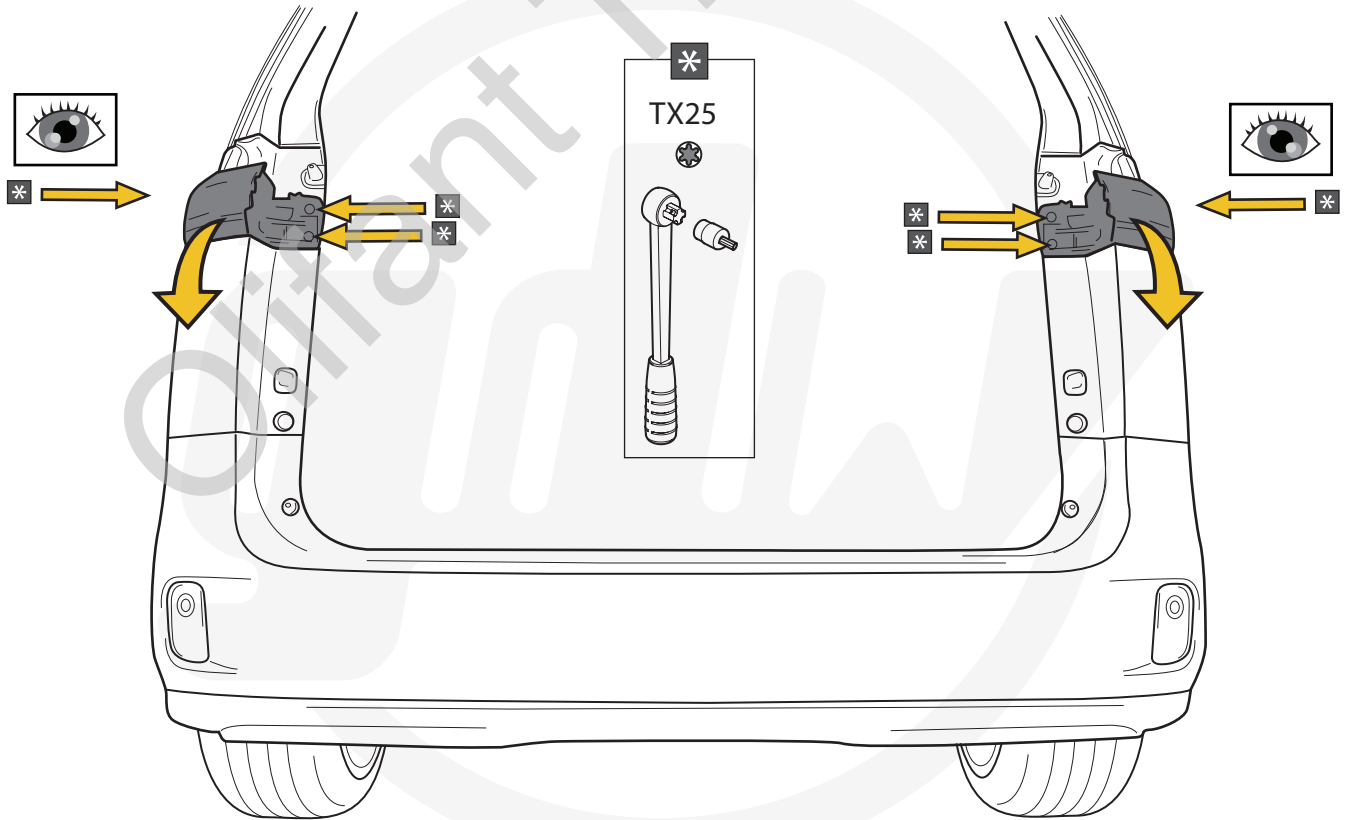
-P		X1	GDW REF. P47
↳		X1	DIN985-M6
↳		X2	6,2 X 15,4 X 1,6 (NYLON)
↳		X1	GDW REF. 718.16.002
↳		X1	GDW REF. 718.16.003
↳		X1	GDW REF. 908.094
↳		X1	DIN933-M6 X 30
↳		X1	GDW REF. 908.102

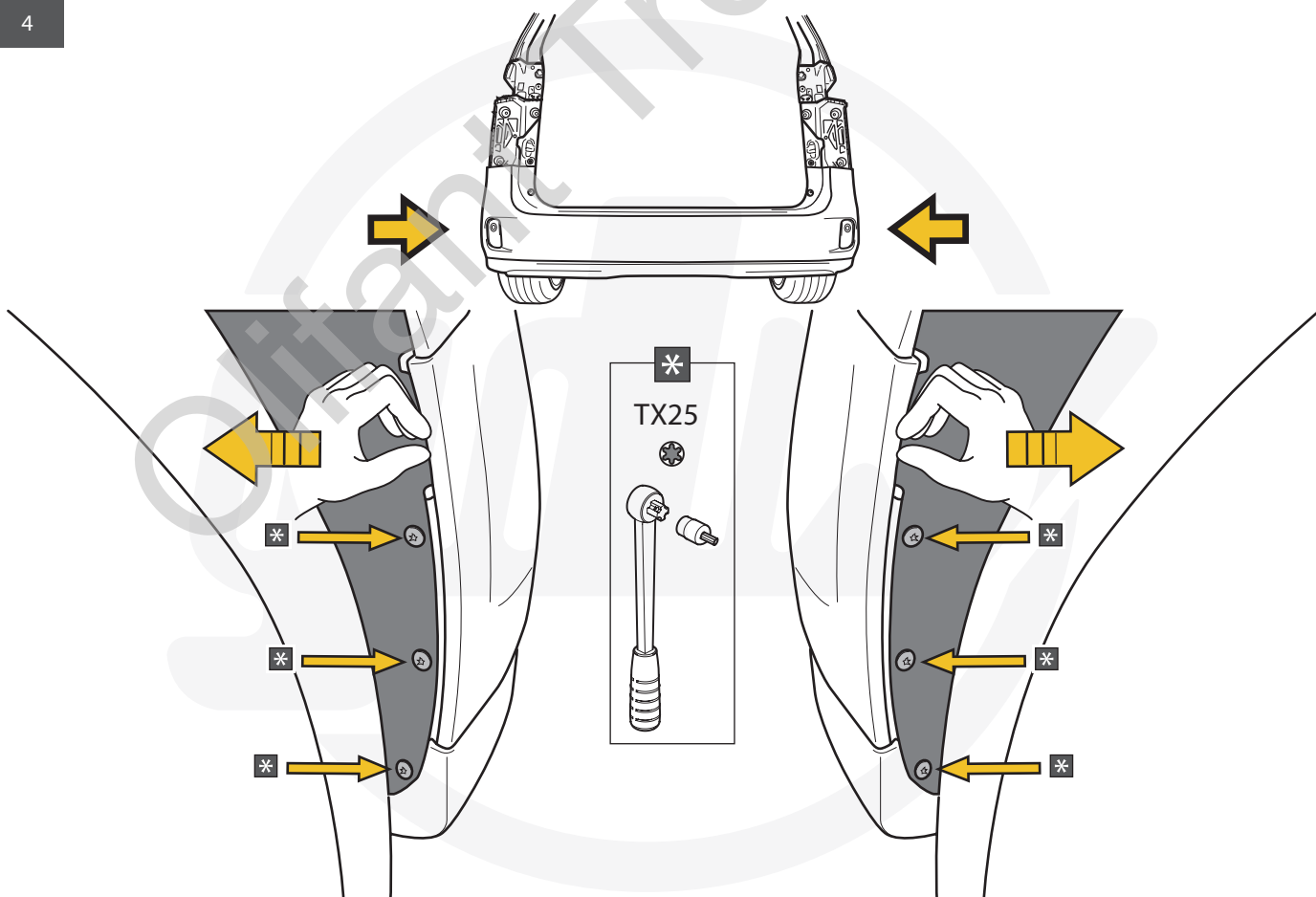
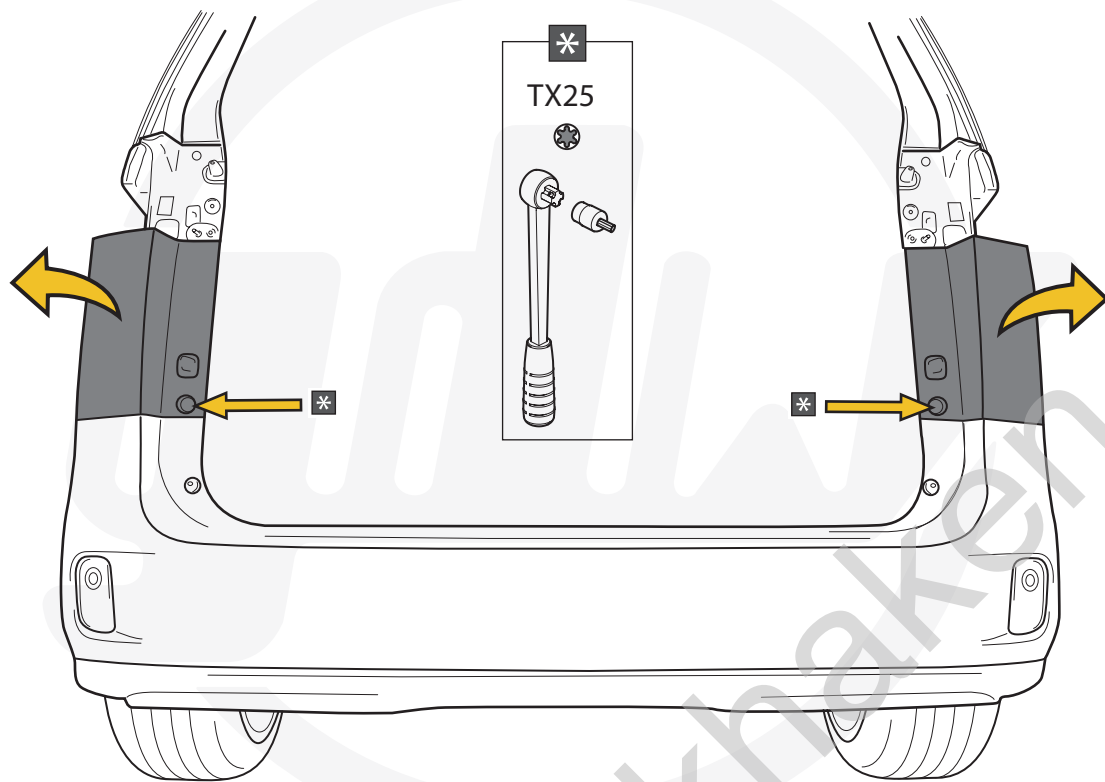
Geleverd met - Livré avec - Delivered with Geliefert mit - Elementos adjuntos - Leverages med		X1	GDW REF. 960.V0608
↳		X1	GDW REF. 740.200
↳		X1	GDW REF. 912.003
↳		X1	GDW REF. 740.112
↳		X1	GDW REF. 740.111
↳		X1	GDW REF. 740.114
↳		X1	GDW REF. 718.15.001
↳		X1	GDW REF. SYST60-10
↳		X3	DIN931-M12X110-8.8
↳		X3	DIN128A-M12
↳		X6	DIN125A-M12
↳		X3	DIN934-M12

1

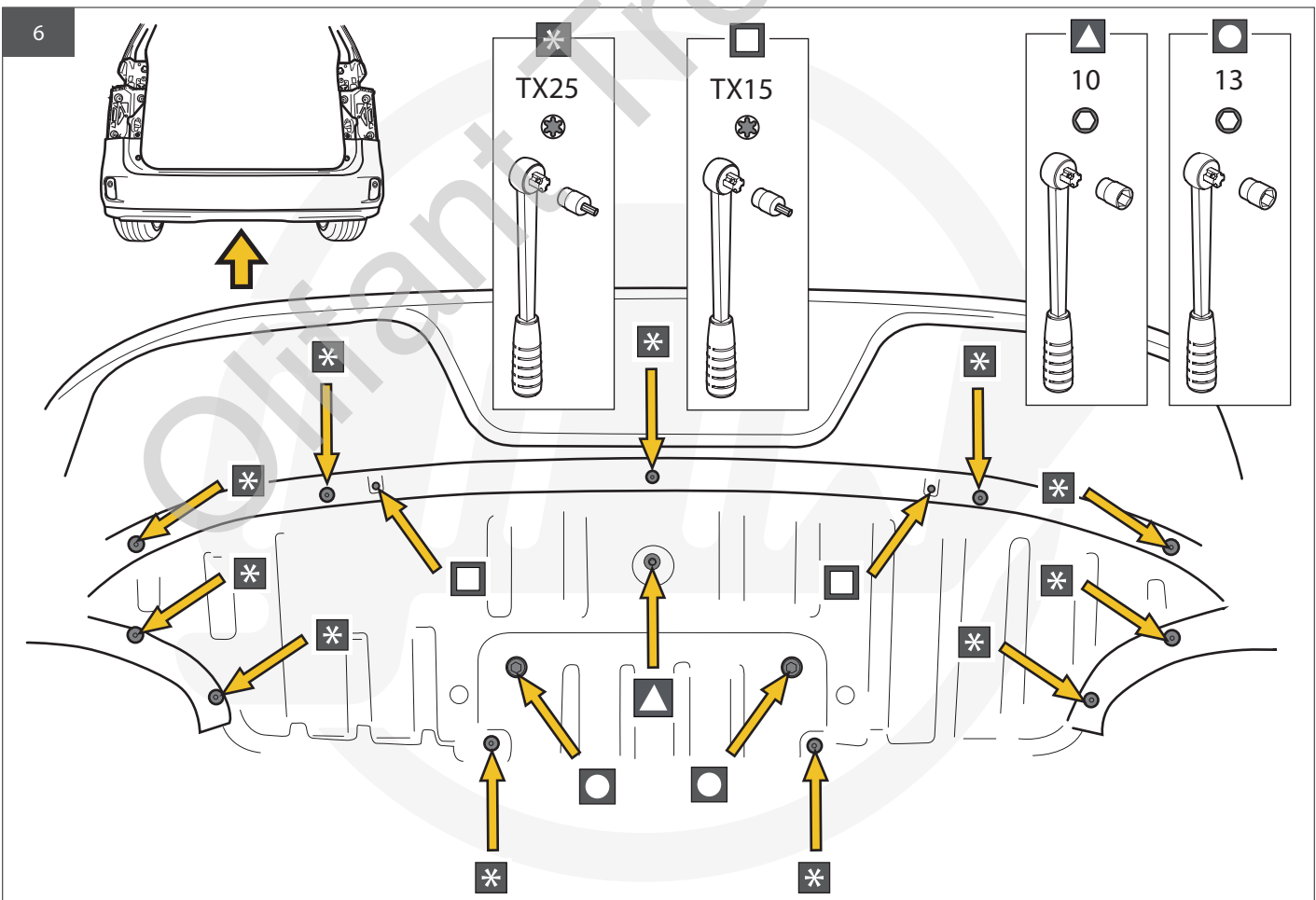
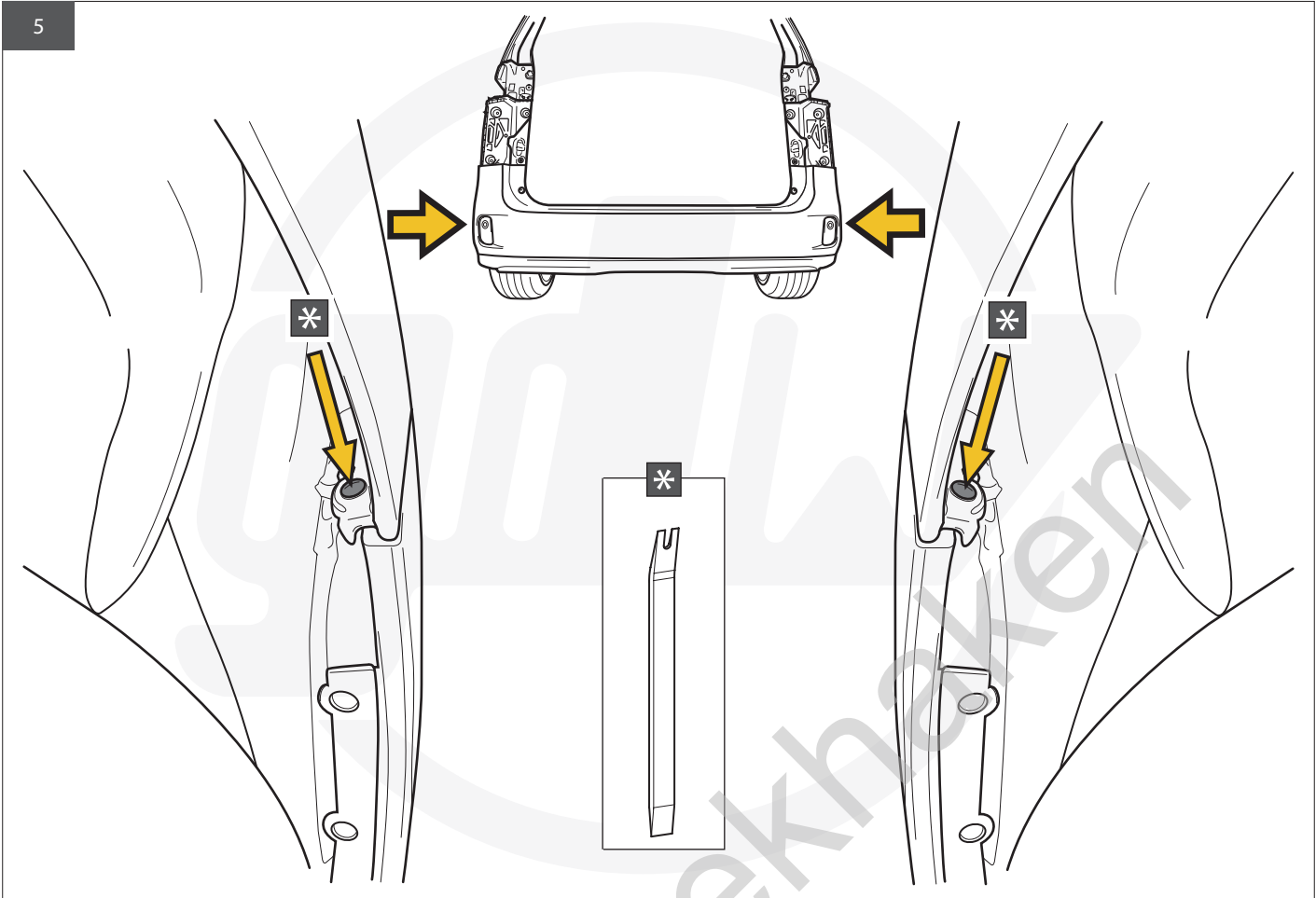


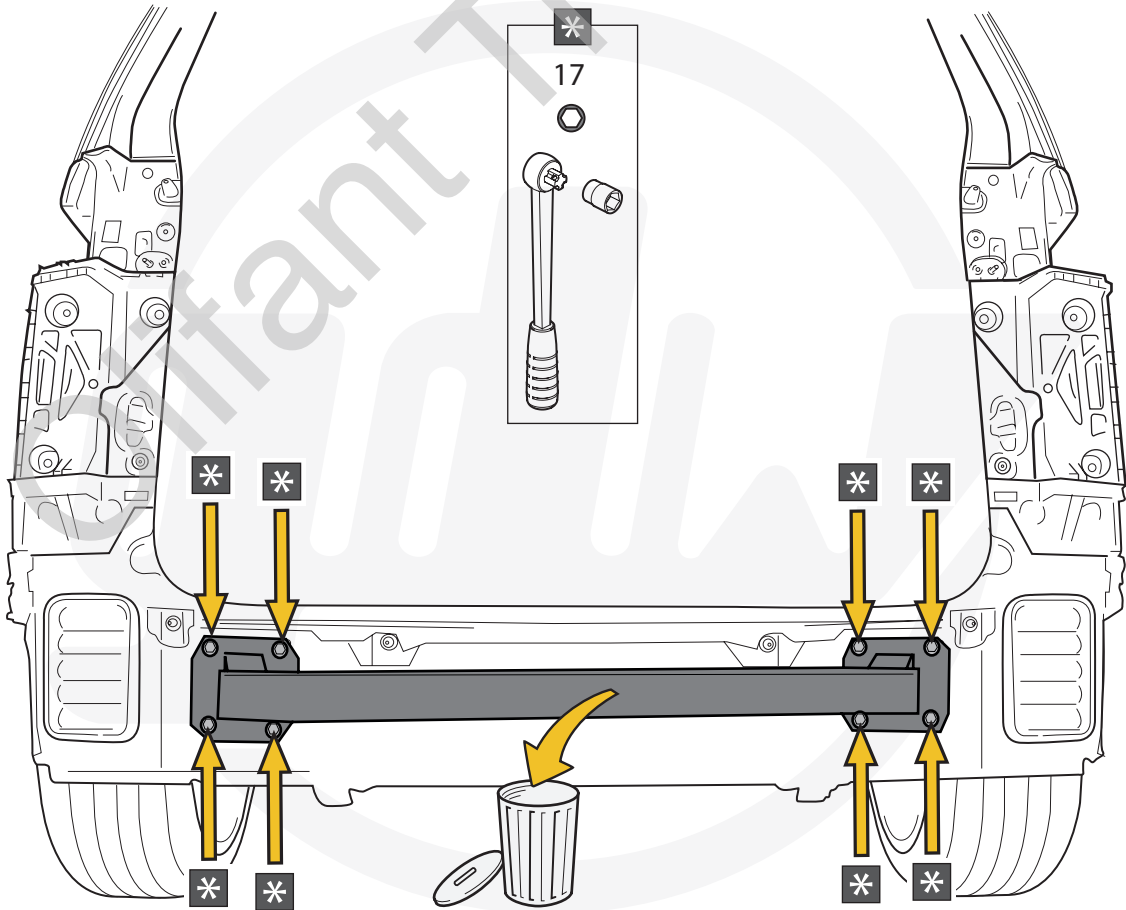
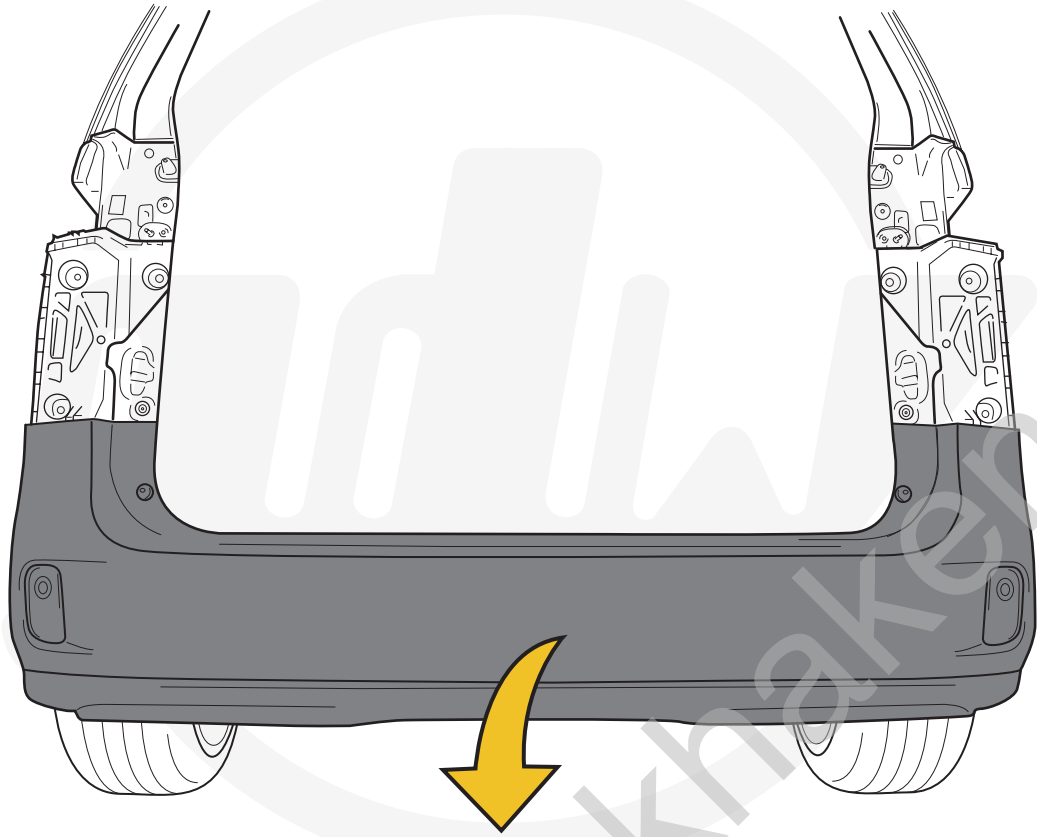
2

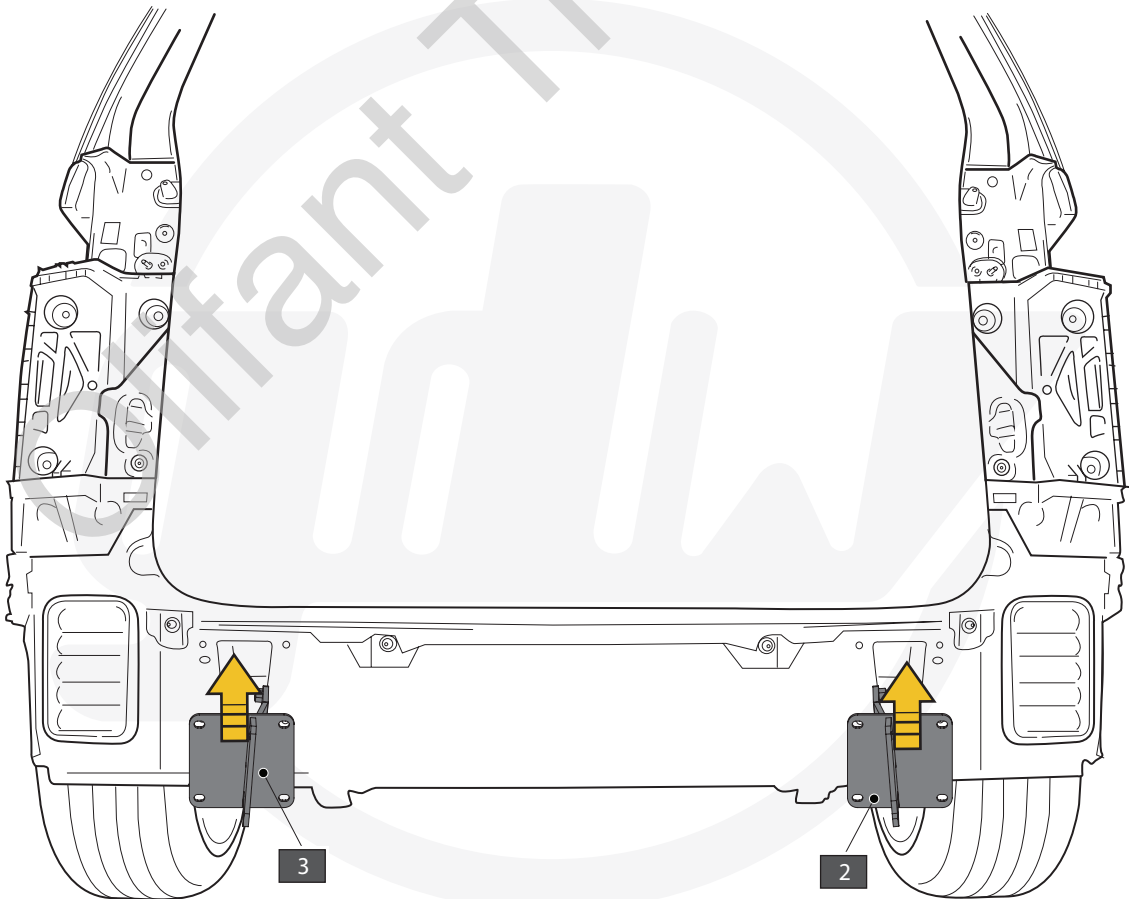
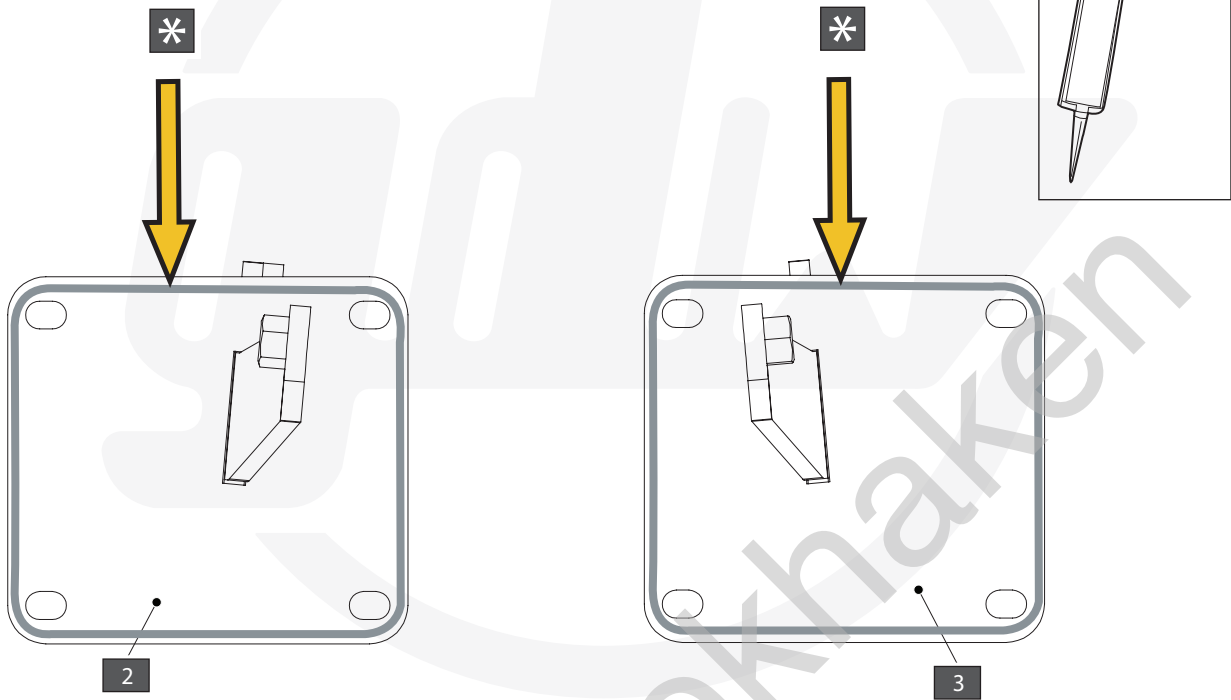


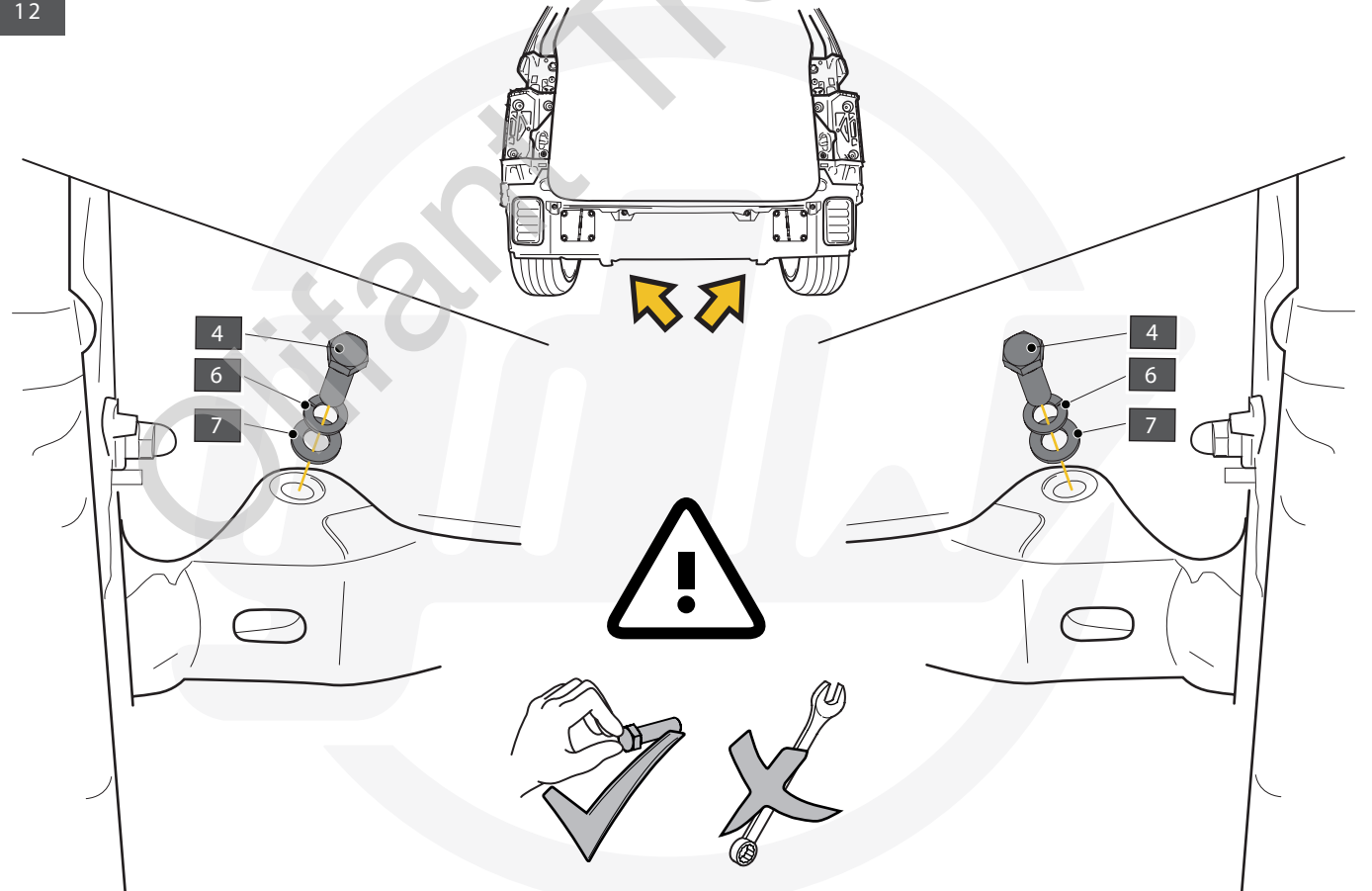
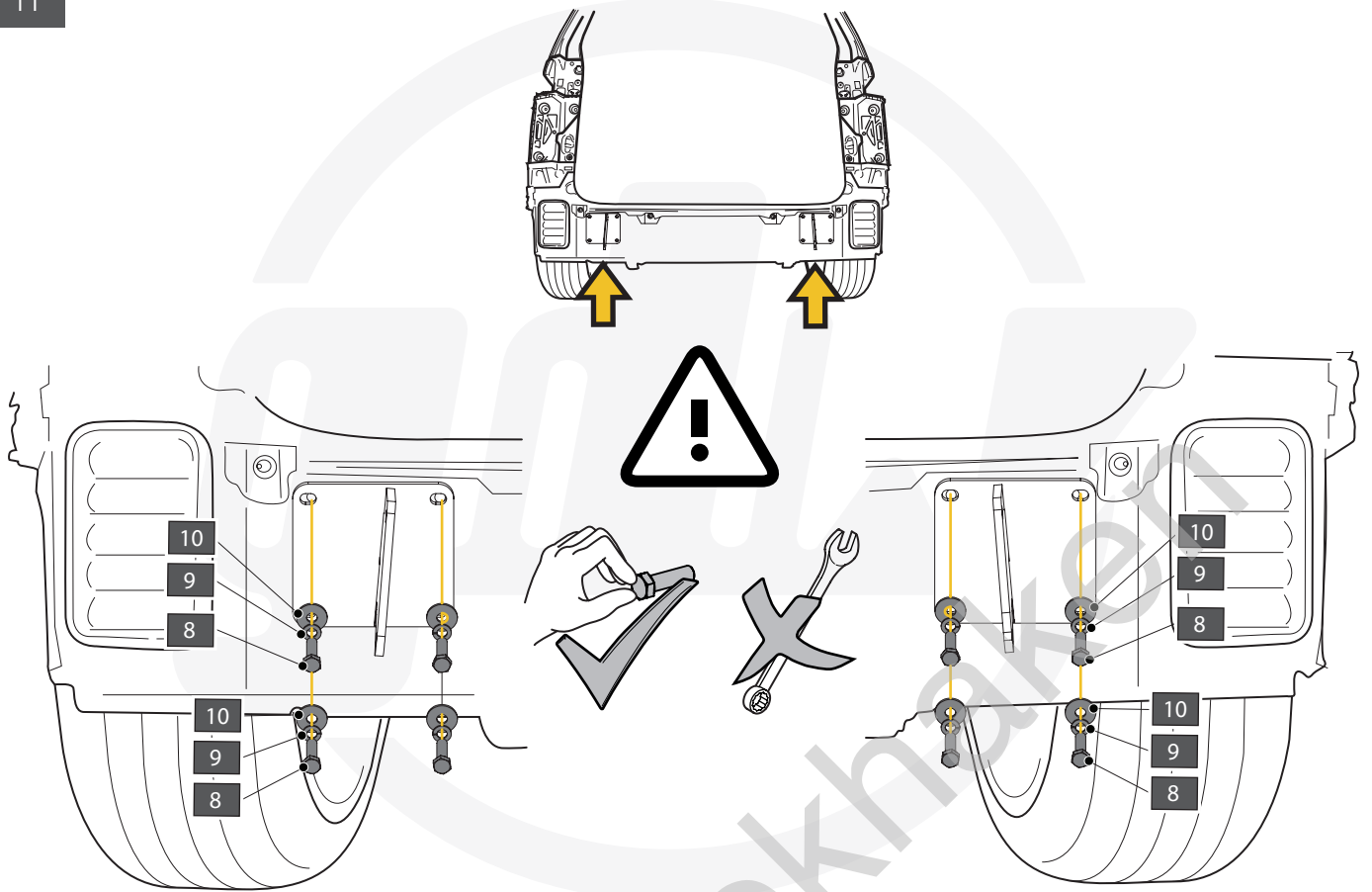


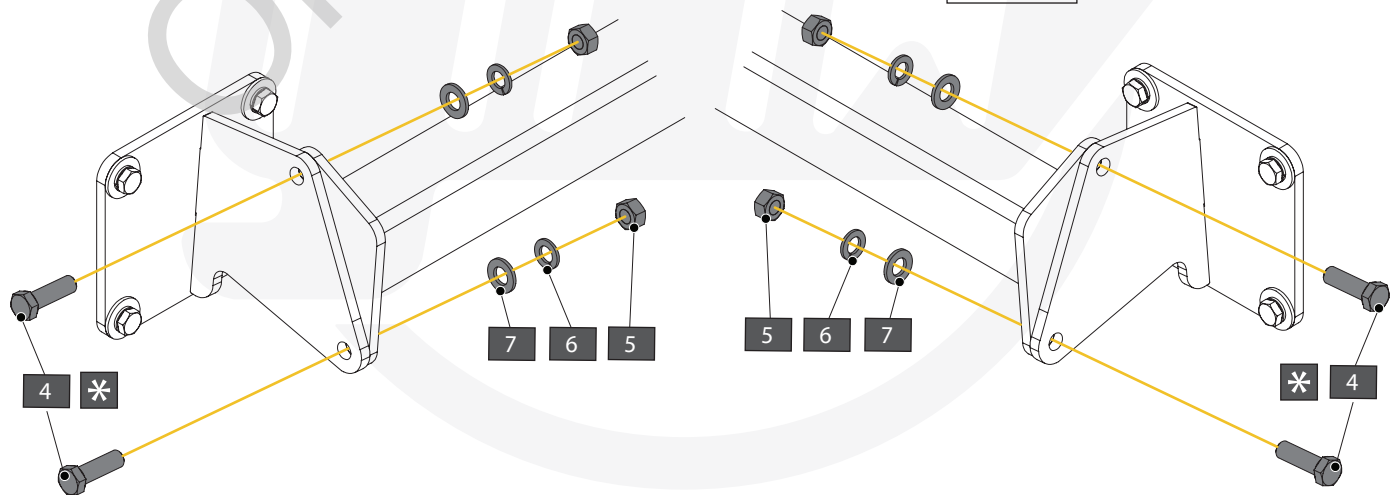
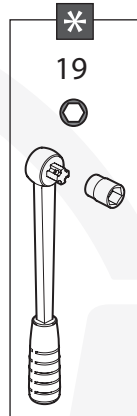
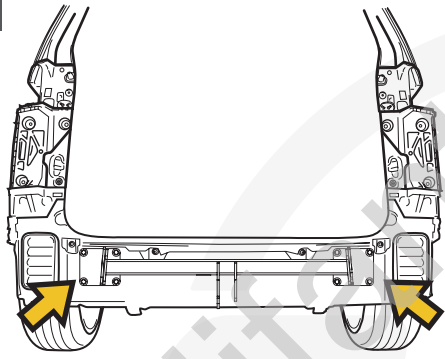
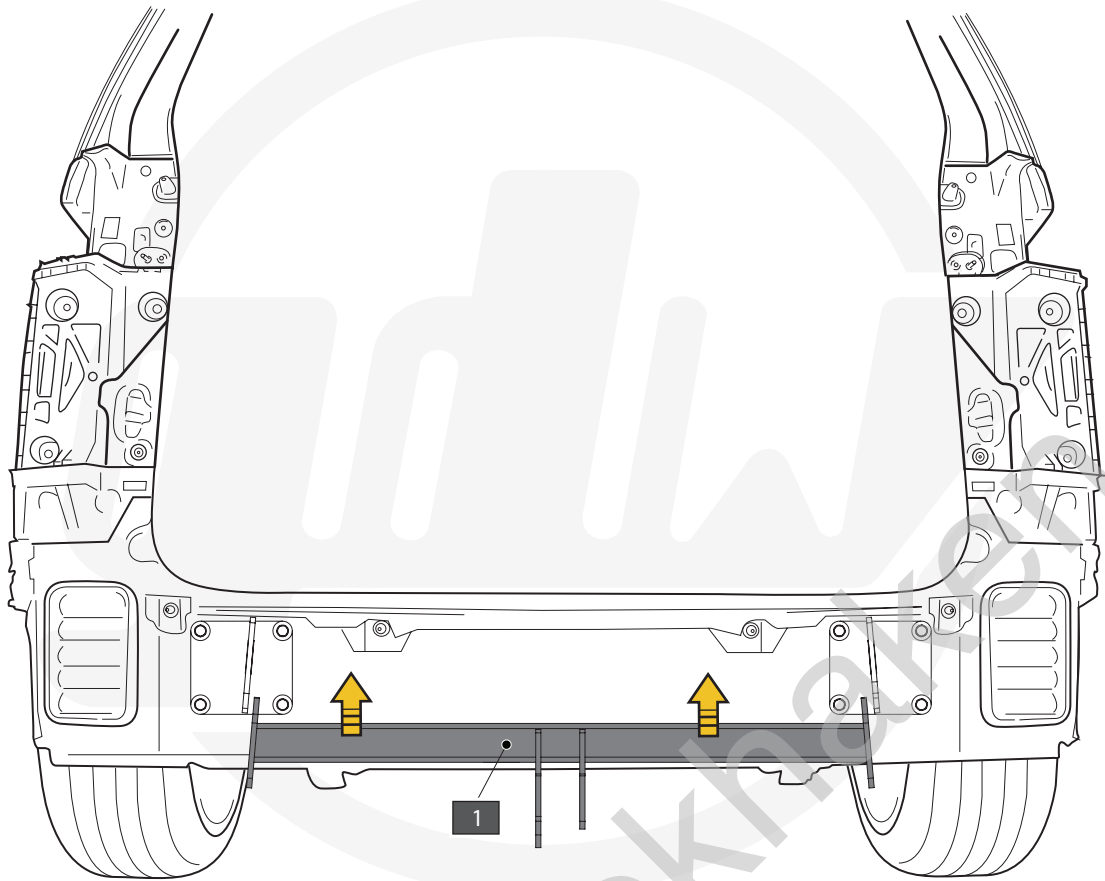


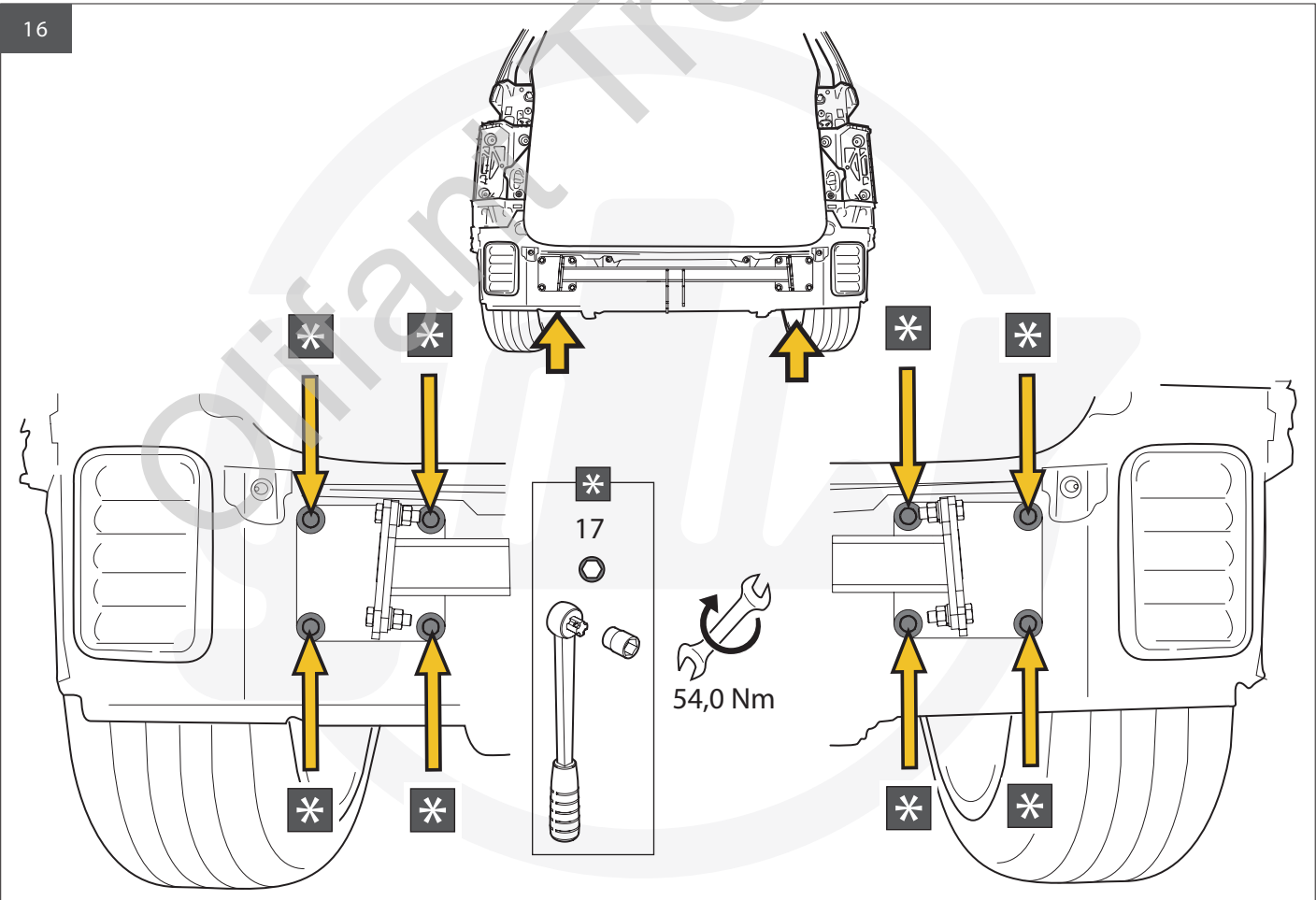
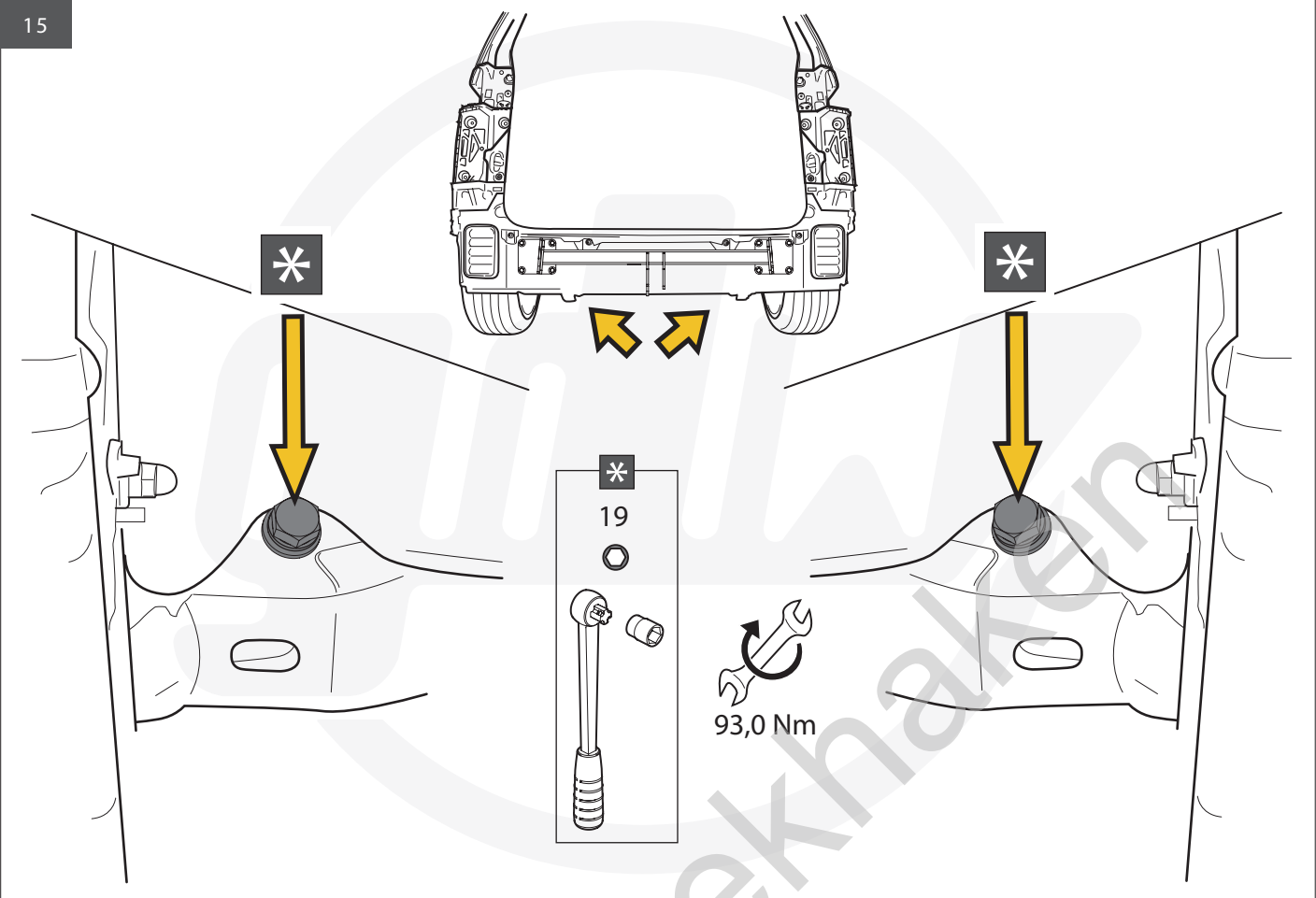


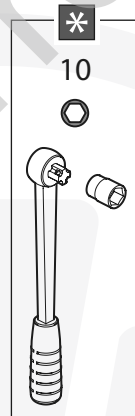
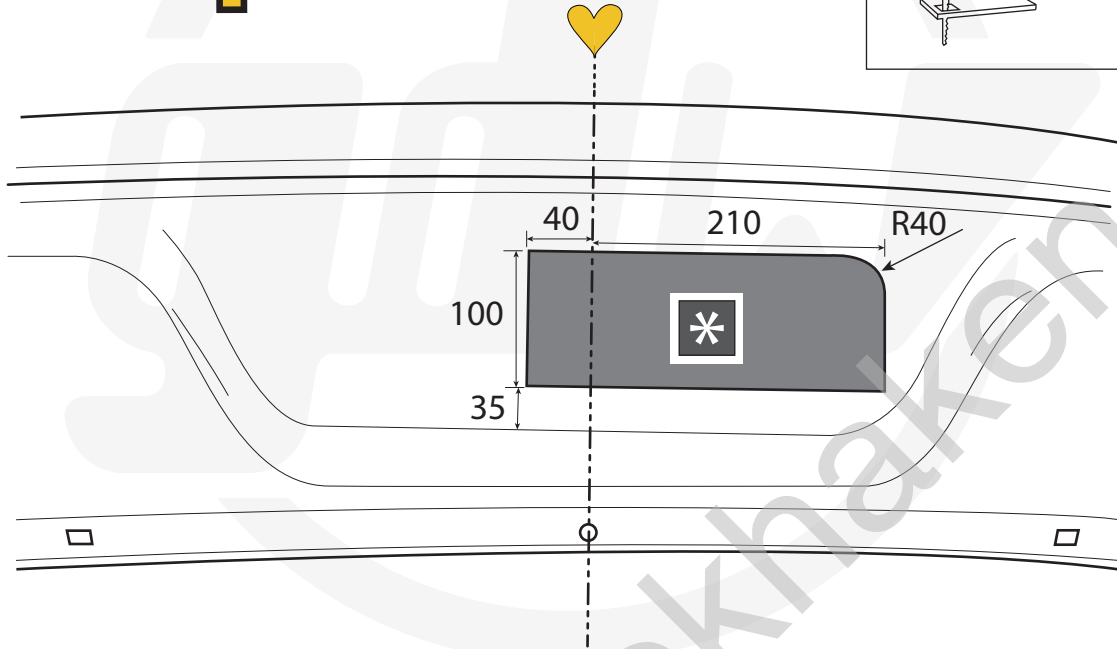
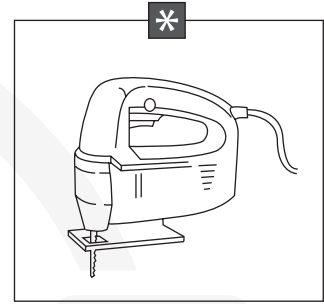




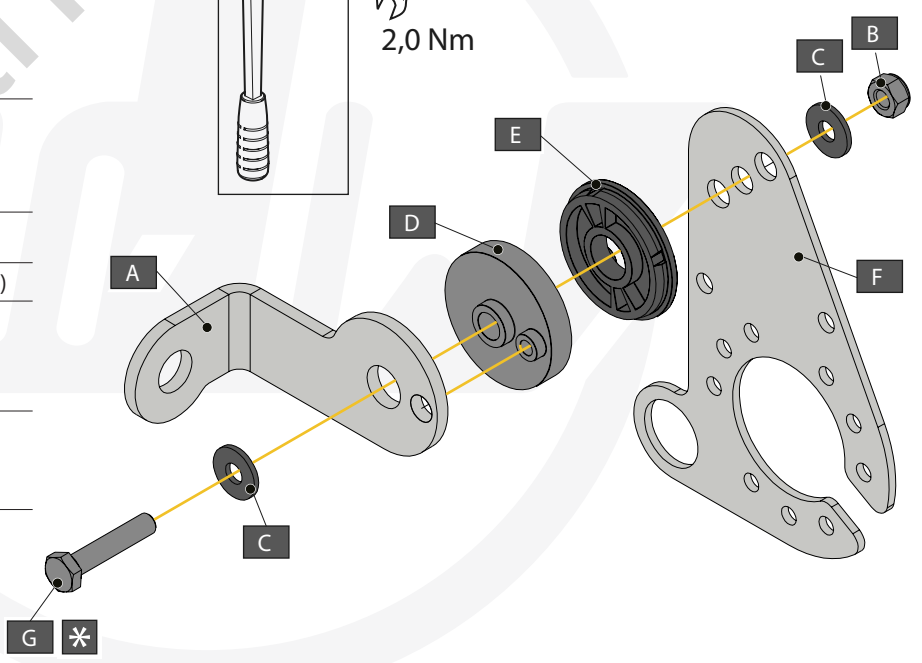


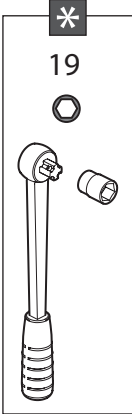




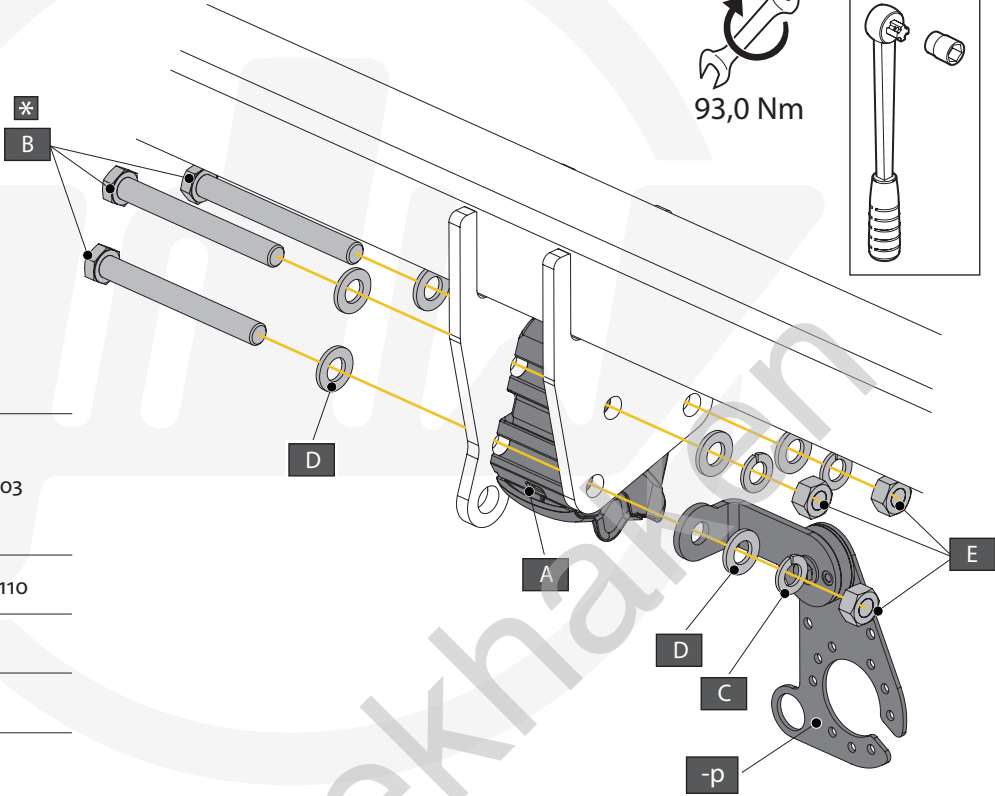


A		X1 GDW REF. 908.102
B		X1 DIN985-M6
C		X2 Ø15,4 X 6,2 X 1,6 (NYLON)
D		X1 GDW REF. 718.16.002
E		X1 GDW REF. 718.16.003
F		X1 GDW REF. 908.094
G		X1 DIN933-M6 X 30





93,0 Nm



A		X1	GDW REF. 912.003
B		X3	DIN931-M12 x 2 <sup>110</sup>
C		X3	DIN128A-M12
D		X6	DIN125A-M12
E		X3	DIN934-M12

