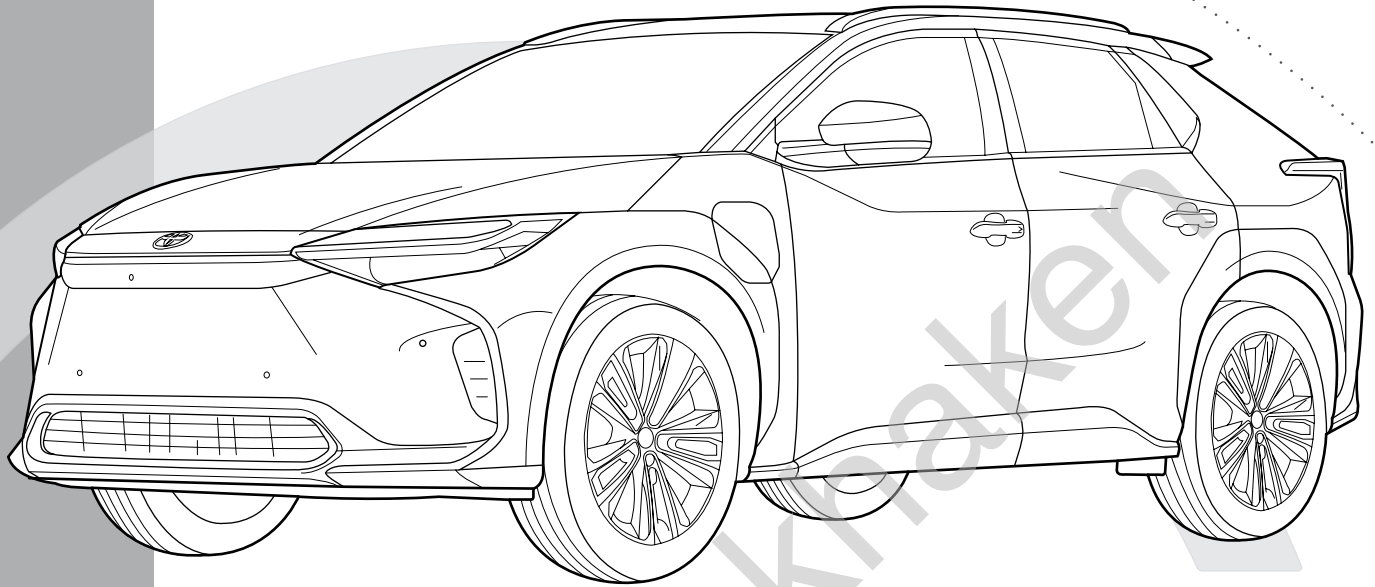
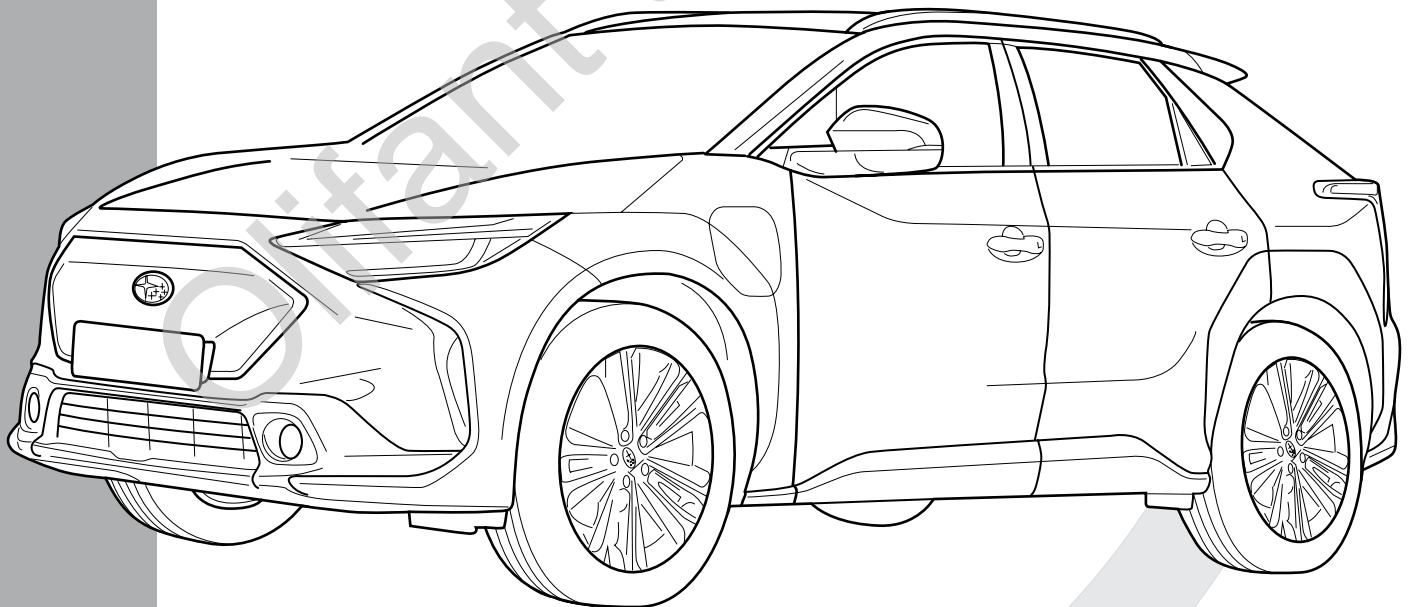


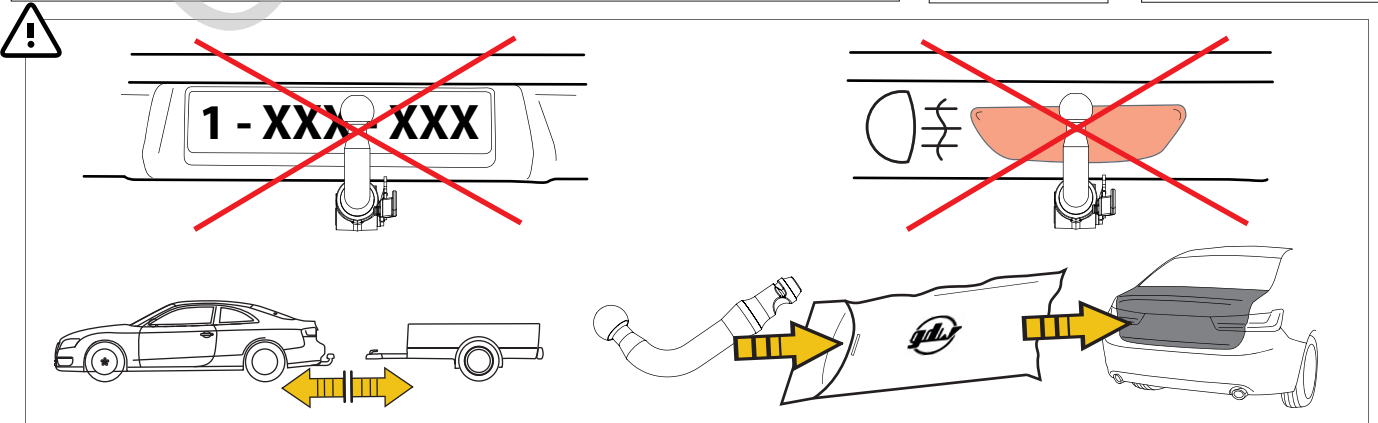
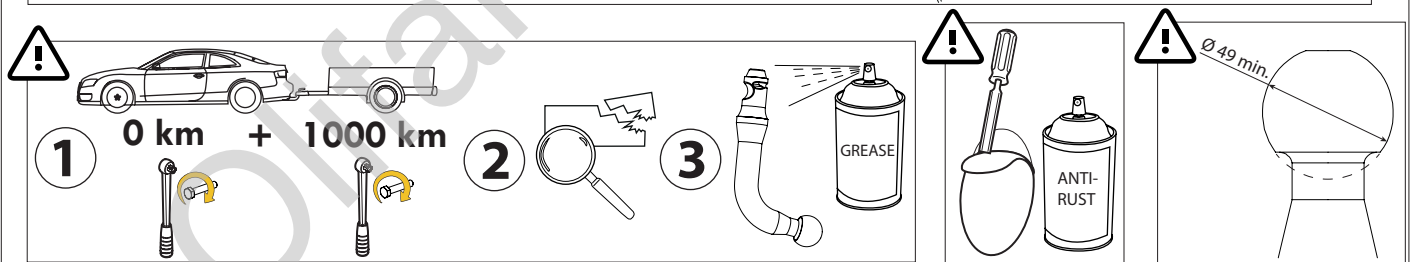
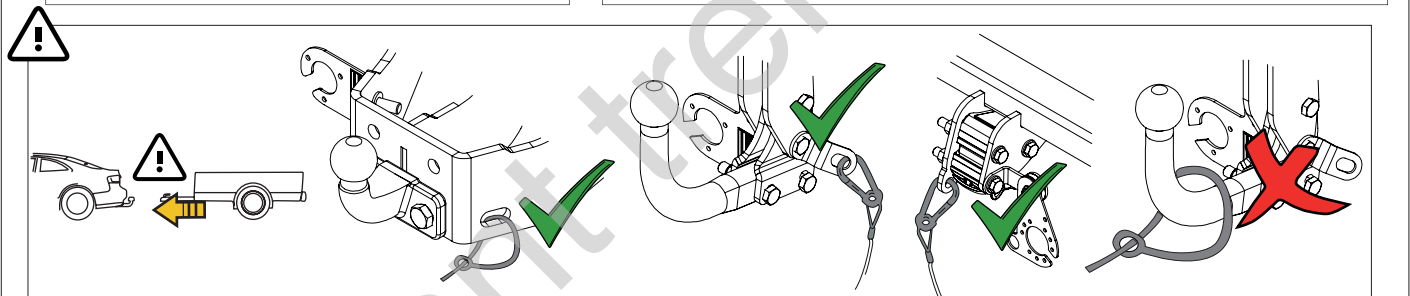
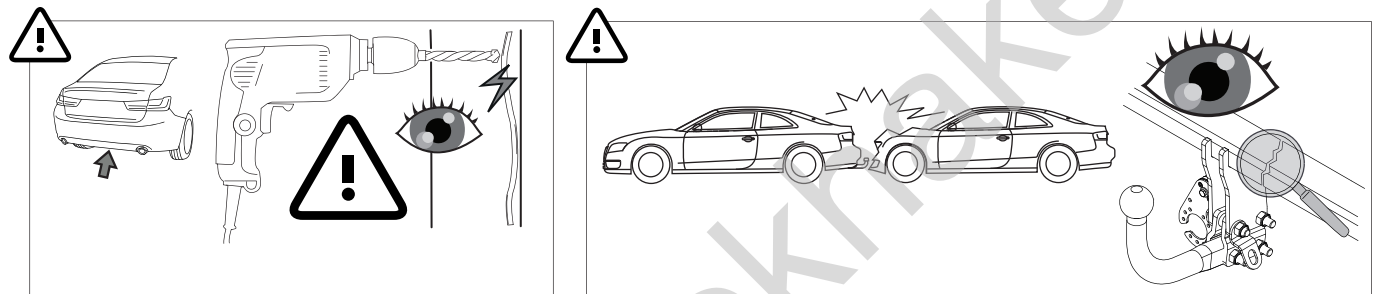
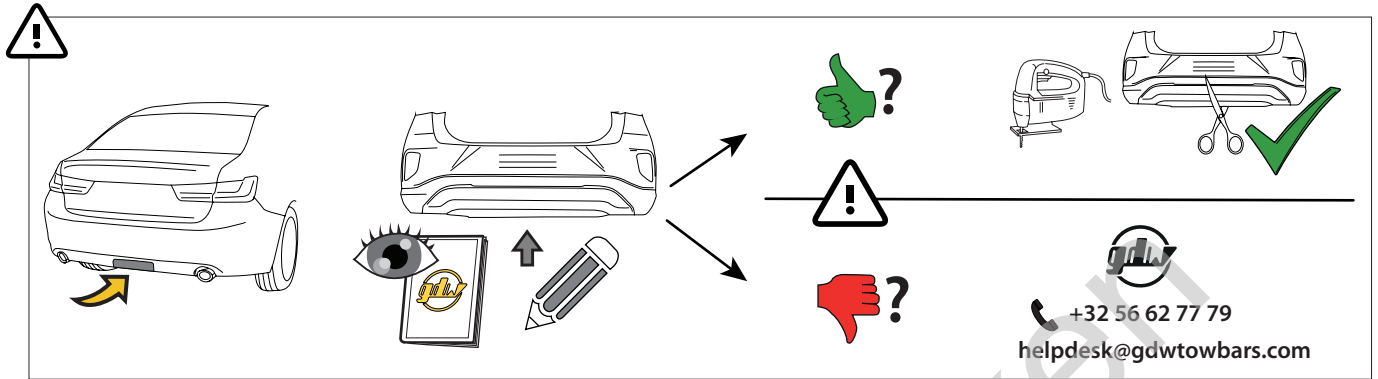
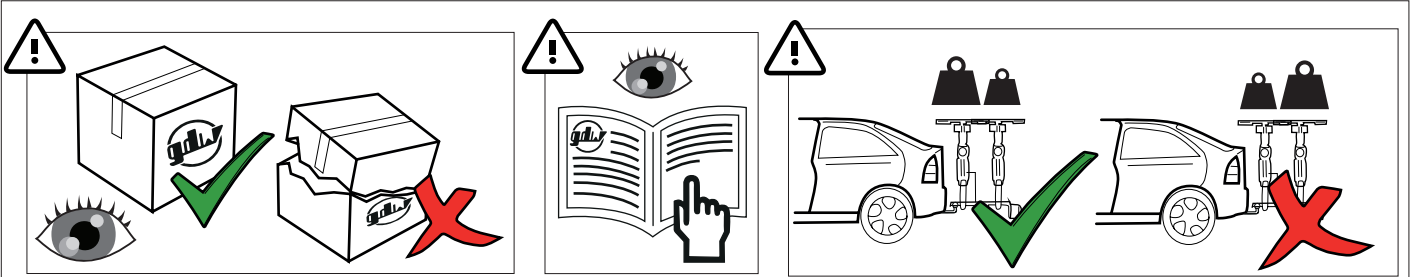


Toyota bZ4X (type EAM1) 12/'21 -



Subaru Solterra 06/'22 -





MADE BY



D 6,15

F

E6

BELGIUM

S 75

EC-N°
55R- 02 1780

REF N°

2746T60

SERIAL N°

XXXX

DESCRIPTION

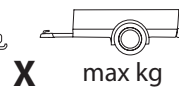
Toyota bZ4X '21- & Subaru Solterra '22-



D =



max kg



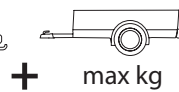
max kg

X

X 0.00981 ≤ 6,15 kN



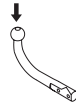
max kg



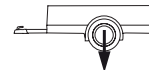
max kg

+

S =



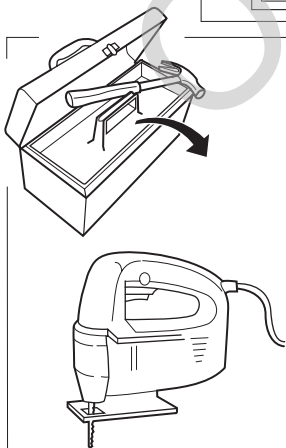
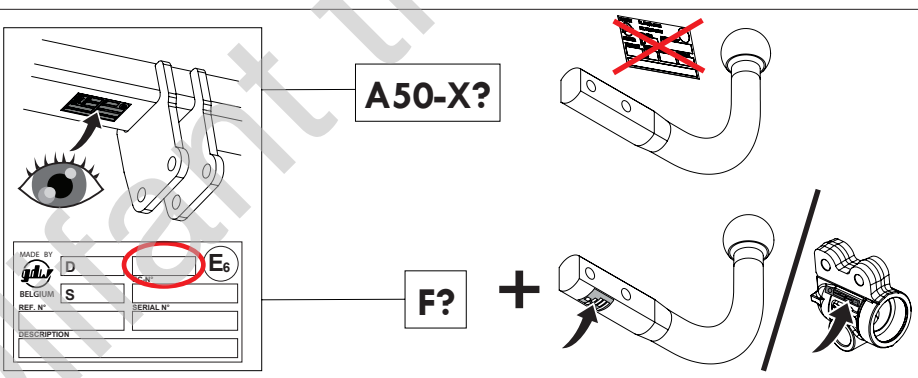
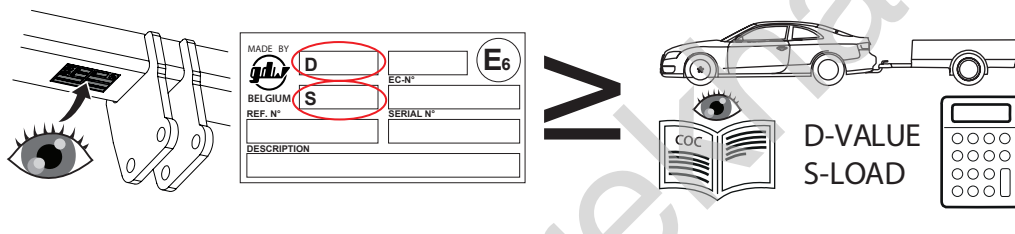
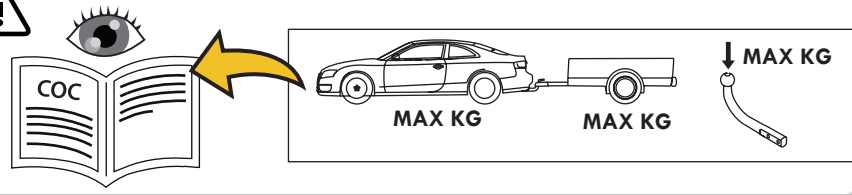
≤ 75 kg



≤ 750 kg



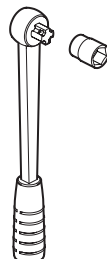
See the Certificate Of Conformity (COC) of your vehicle or contact your dealer to verify the max. trailer weight of your car!



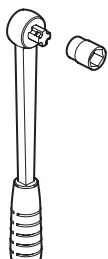
PH2



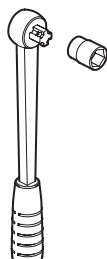
10

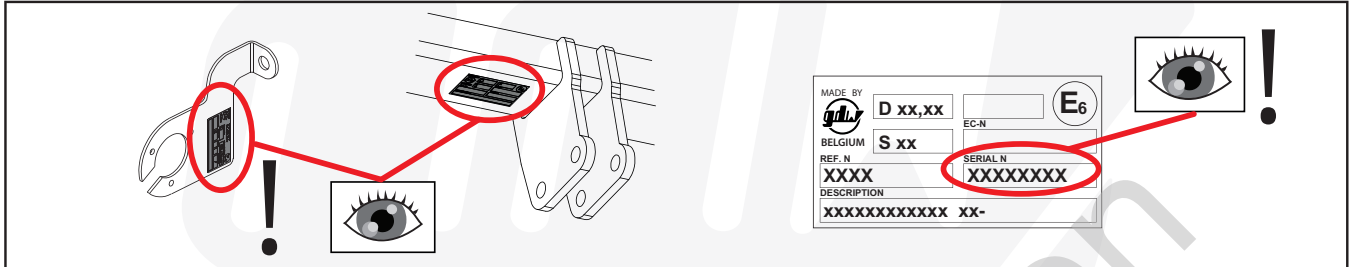


14



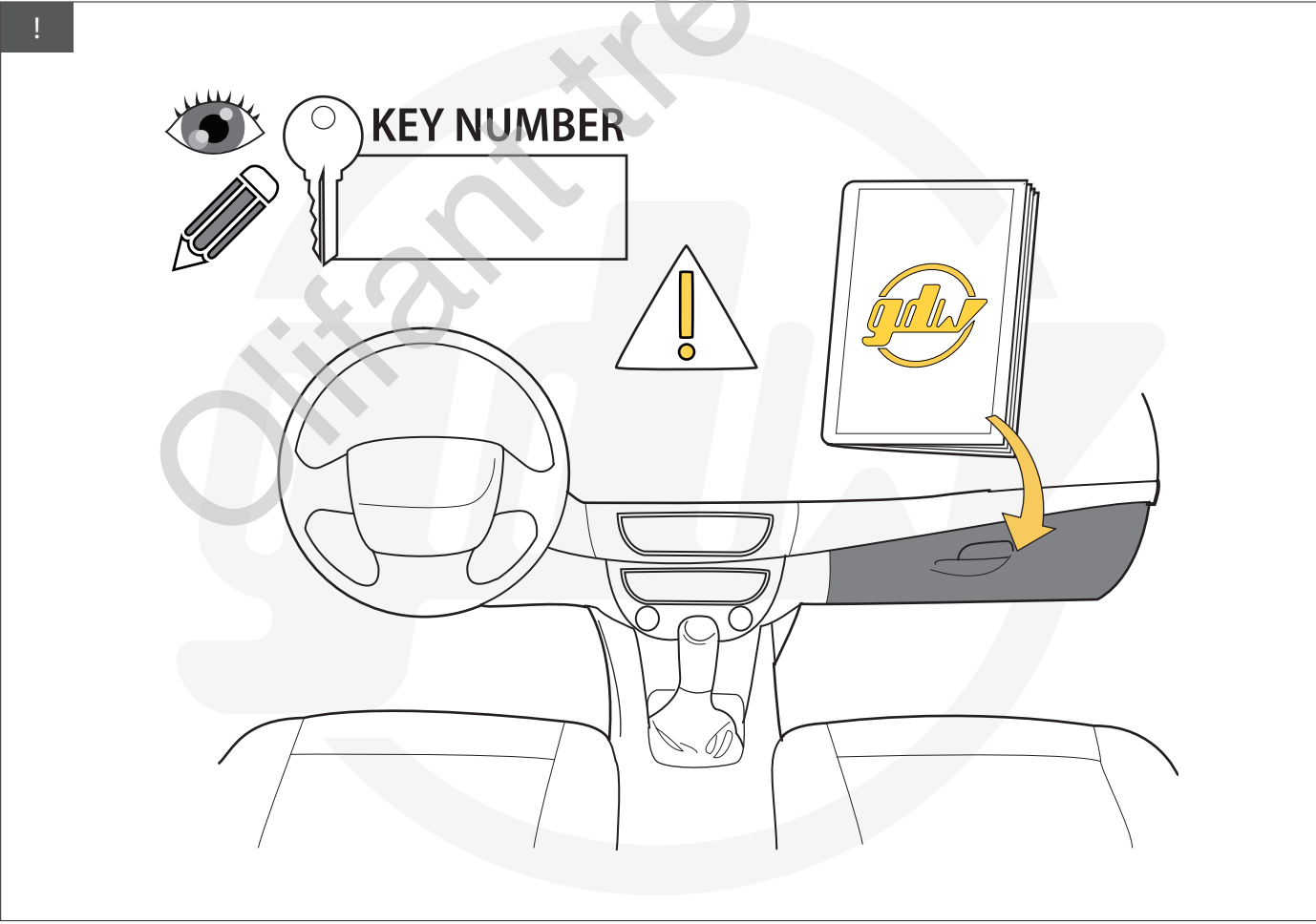
19

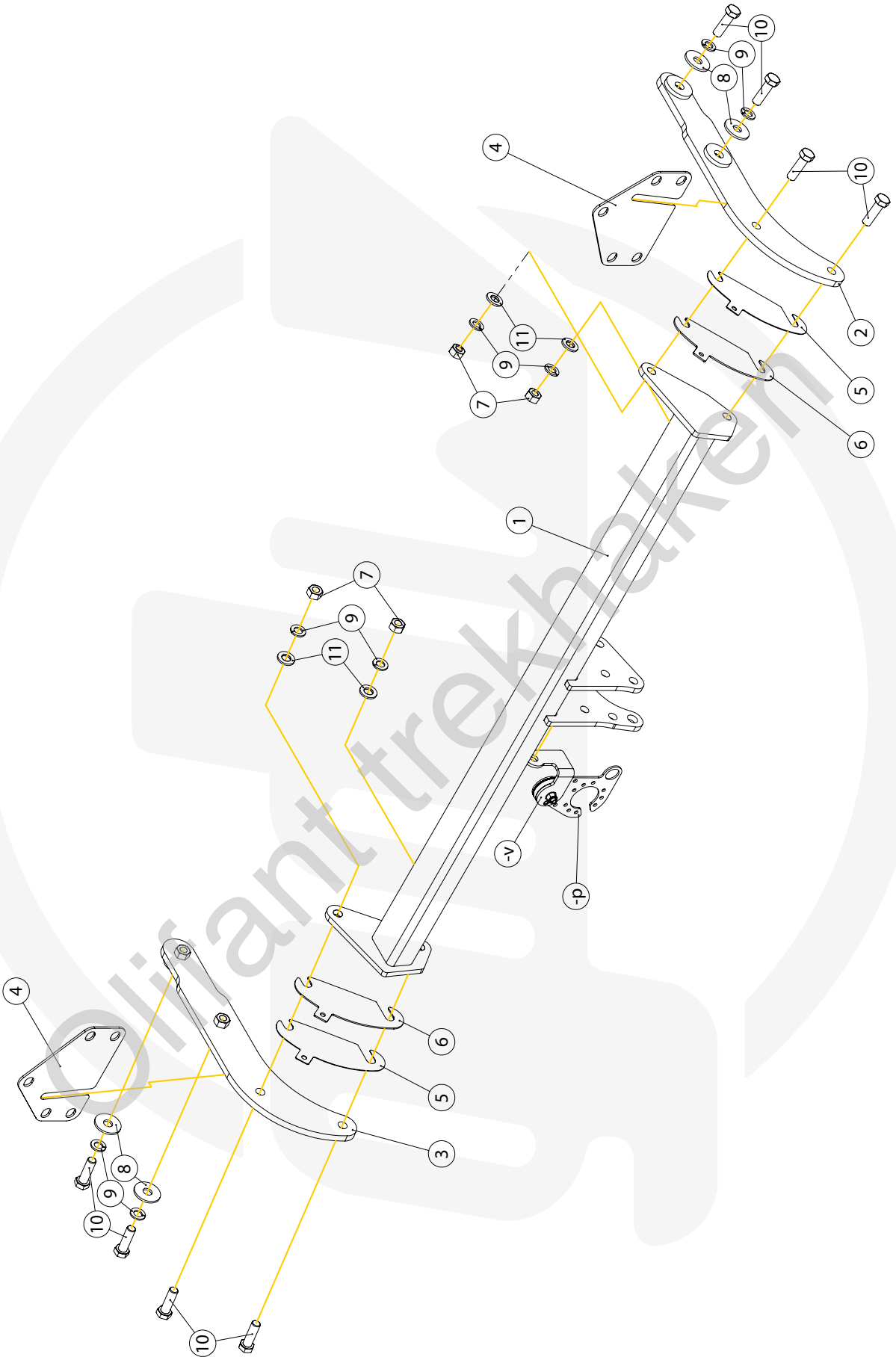


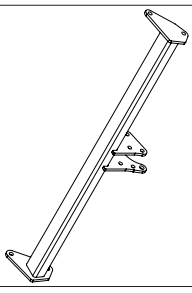
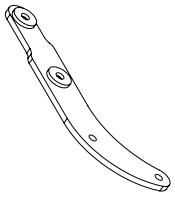
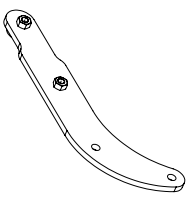
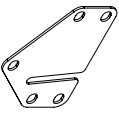
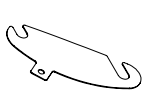

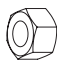

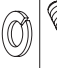





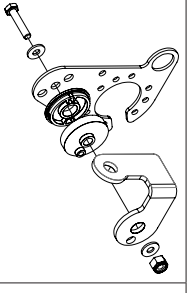







helpdesk@gdwtowbars.com
+32 56 62 77 79

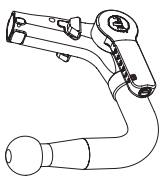
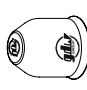
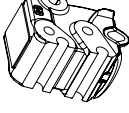


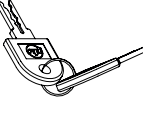

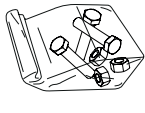



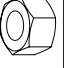
Monday	08:00 - 12:00	12:30 - 16:30
Tuesday	08:00 - 12:00	12:30 - 16:30
Wednesday	08:00 - 12:00	12:30 - 16:30
Thursday	08:00 - 12:00	12:30 - 16:30
Friday	08:00 - 12:00	12:30 - 15:30



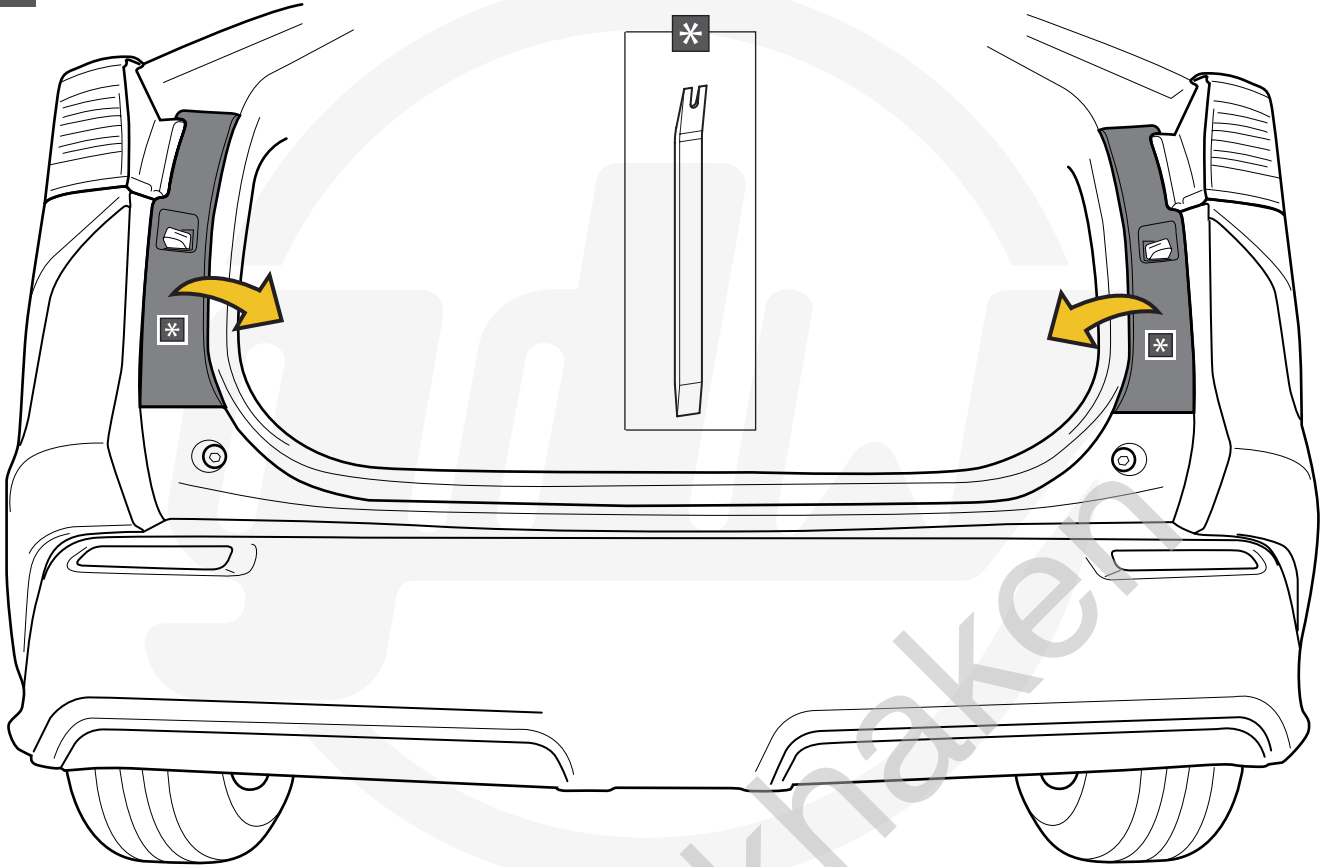


1		X1	GDW REF. 2746T60
2		X1	GDW REF. 2
3		X1	GDW REF. 3
4		X2	GDW REF. 4
5		X2	GDW REF. 5 (1 MM)
6		X2	GDW REF. 6 (2 MM)
7		X4	DIN934-M12 X 1,25
8		X4	DIN9021-M12-ELVZ
9		X8	DIN128A-M12
10		X8	DIN961-M12 X 40 X 1.25
11		X4	DIN125-A12-14OHV-ELVZ
-V		X1	GDW REF. 2746T60-110

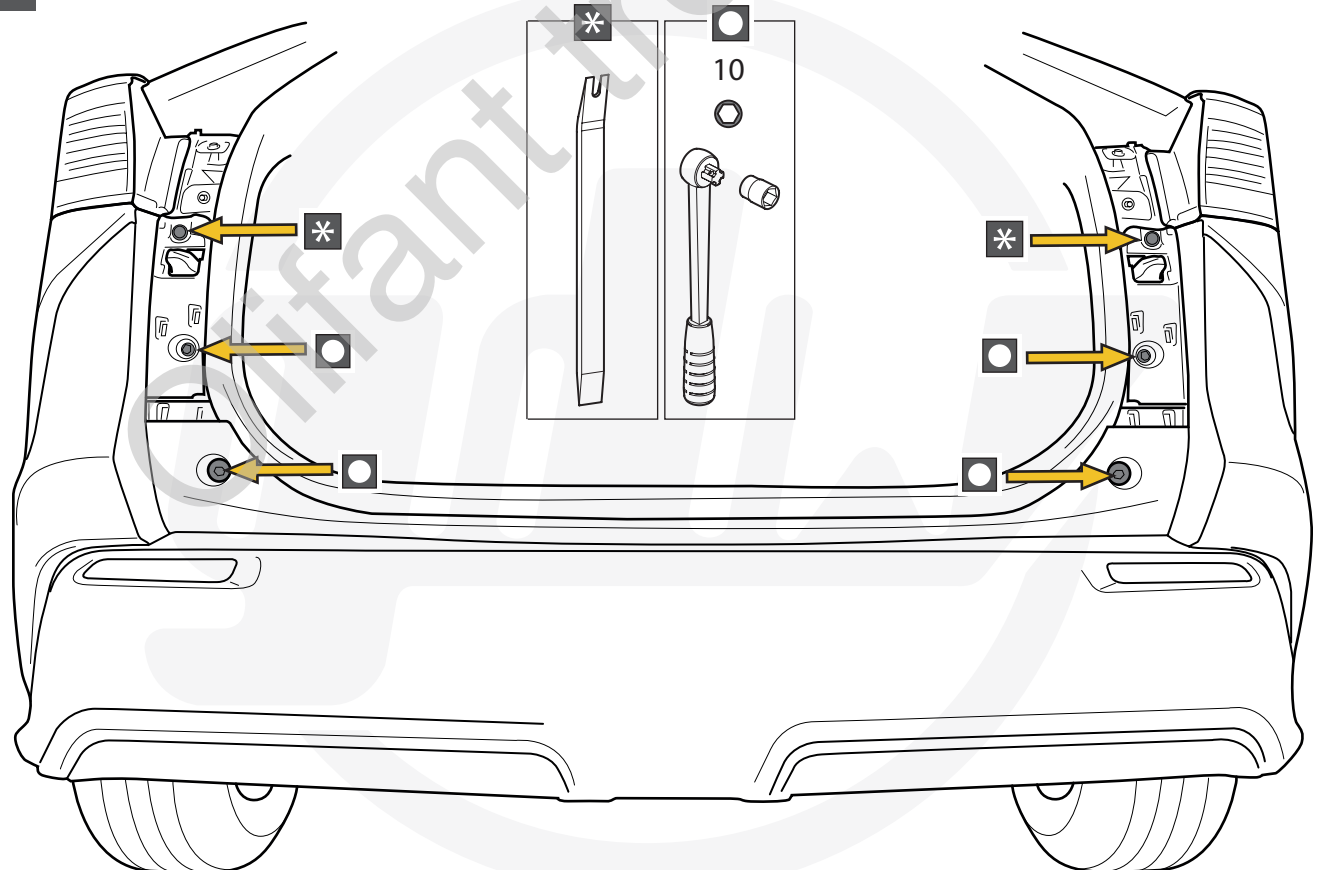
-P		X1	GDW REF. P38 + 2746T60-110
L		X1	DIN985-M6
L		X2	6,2 X 15,4 X 1,6 (NYLON)
L		X1	GDW REF. 718.16.002
L		X1	GDW REF. 718.16.003
L		X1	GDW REF. 908.094
L		X1	DIN933-M6 X 30
L		X1	GDW REF. 2746T60-110 (-V)

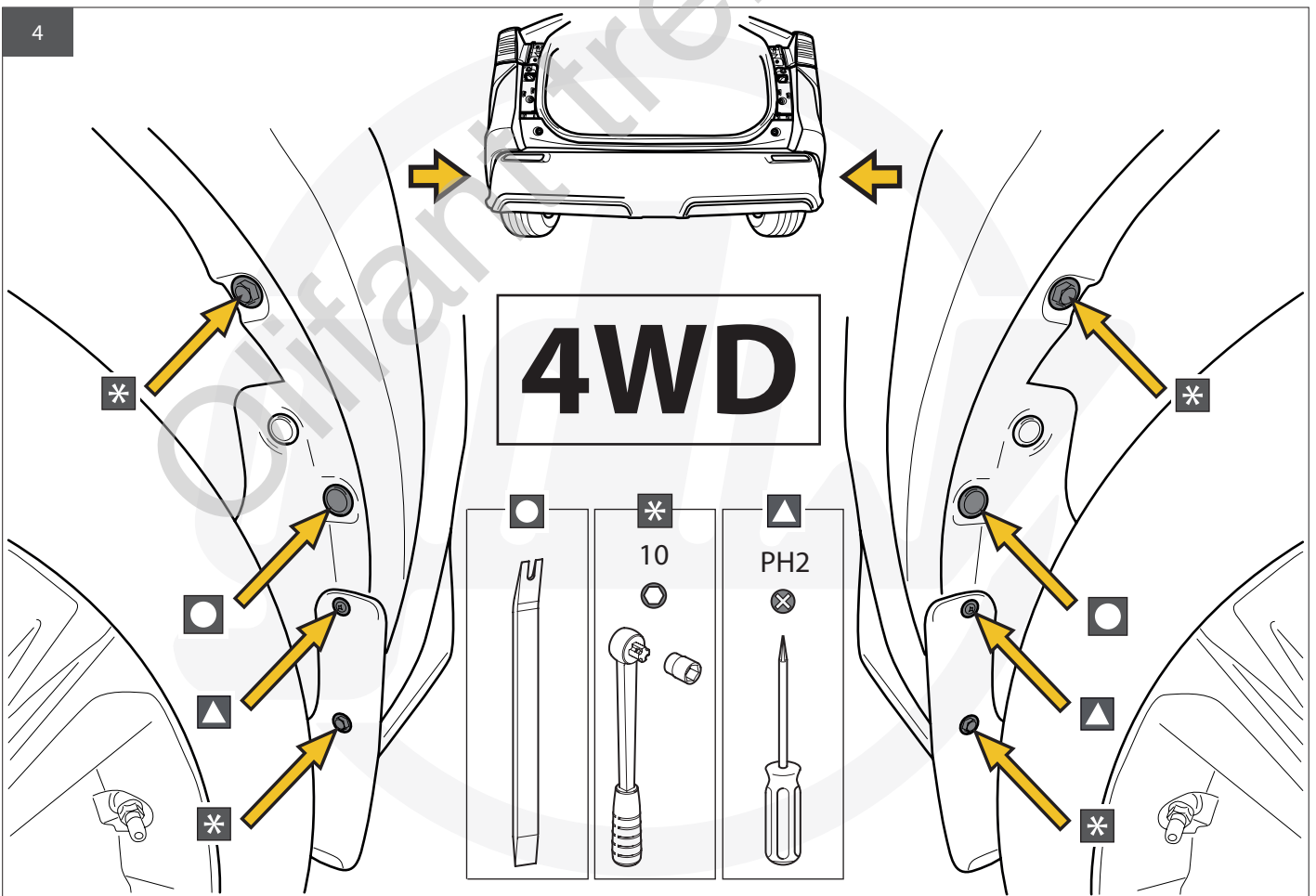
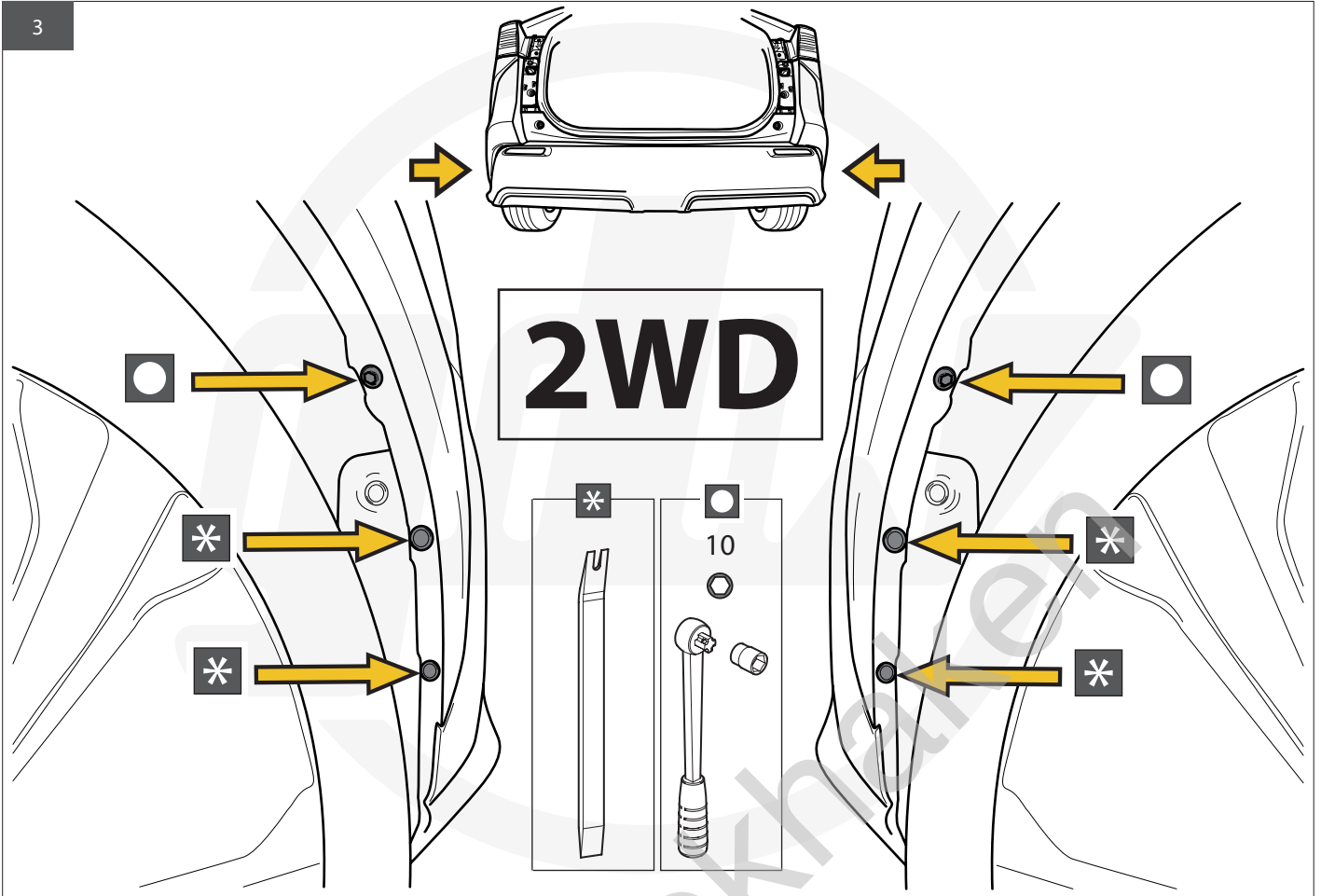
Geleverd met - Livré avec - Delivered with Geliefert mit - Elementos adjuntos-Leveres med		X1	GDW REF. 960.V0606	
	L		X1	GDW REF. 740.200
	L		X1	GDW REF. 912.003
	L		X1	GDW REF. 740.112
	L		X1	GDW REF. 740.111
	L		X1	GDW REF. 740.12X X=LAST NUMBER ON KEY
	L		X1	GDW REF. 718.15.001
	L		X1	GDW REF. SYST60-10
	L		X3	DIN931-M12X110-8.8
	L		X3	DIN128A-M12
L		X6	DIN125A-M12	
L		X3	DIN934-M12	

1

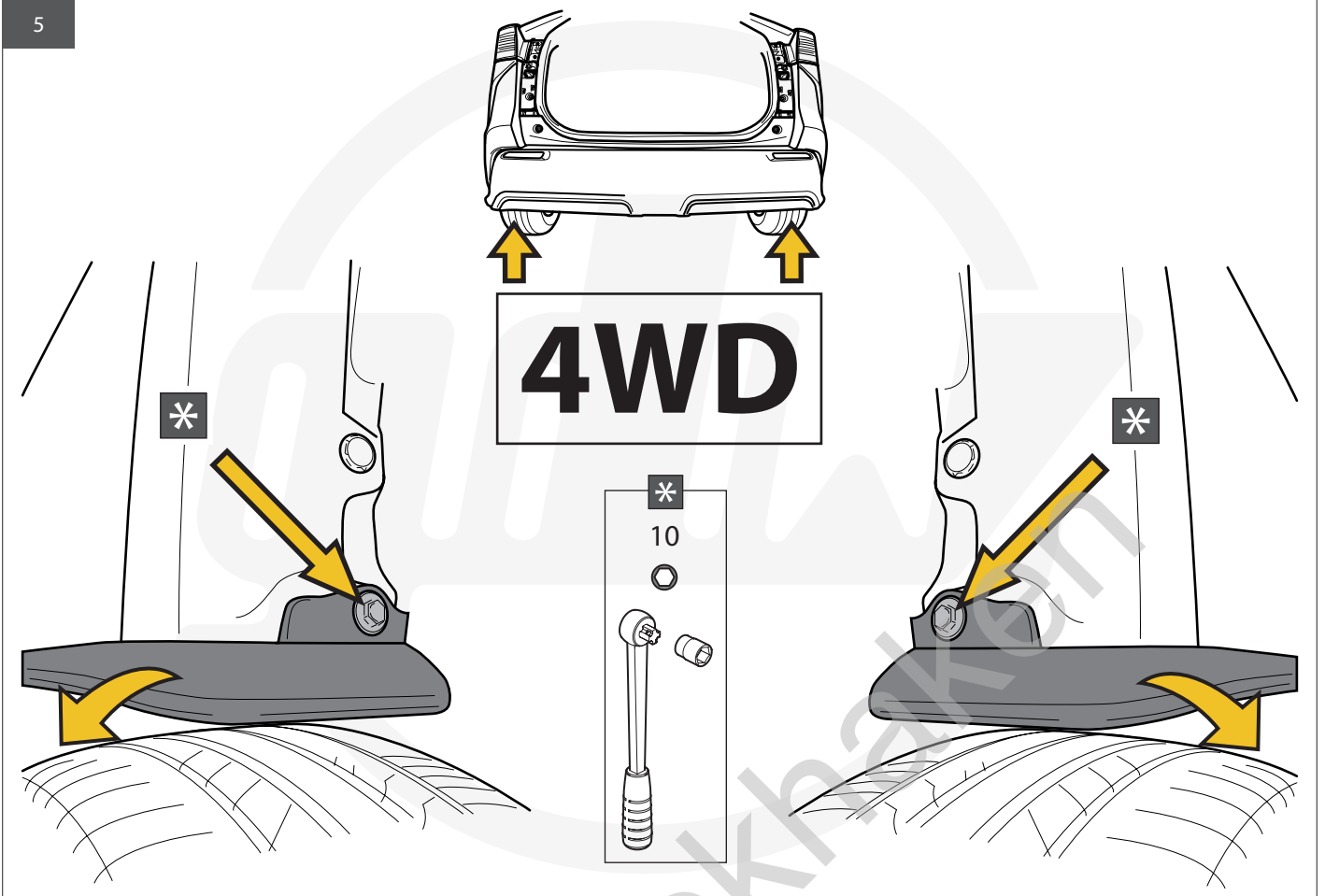


2

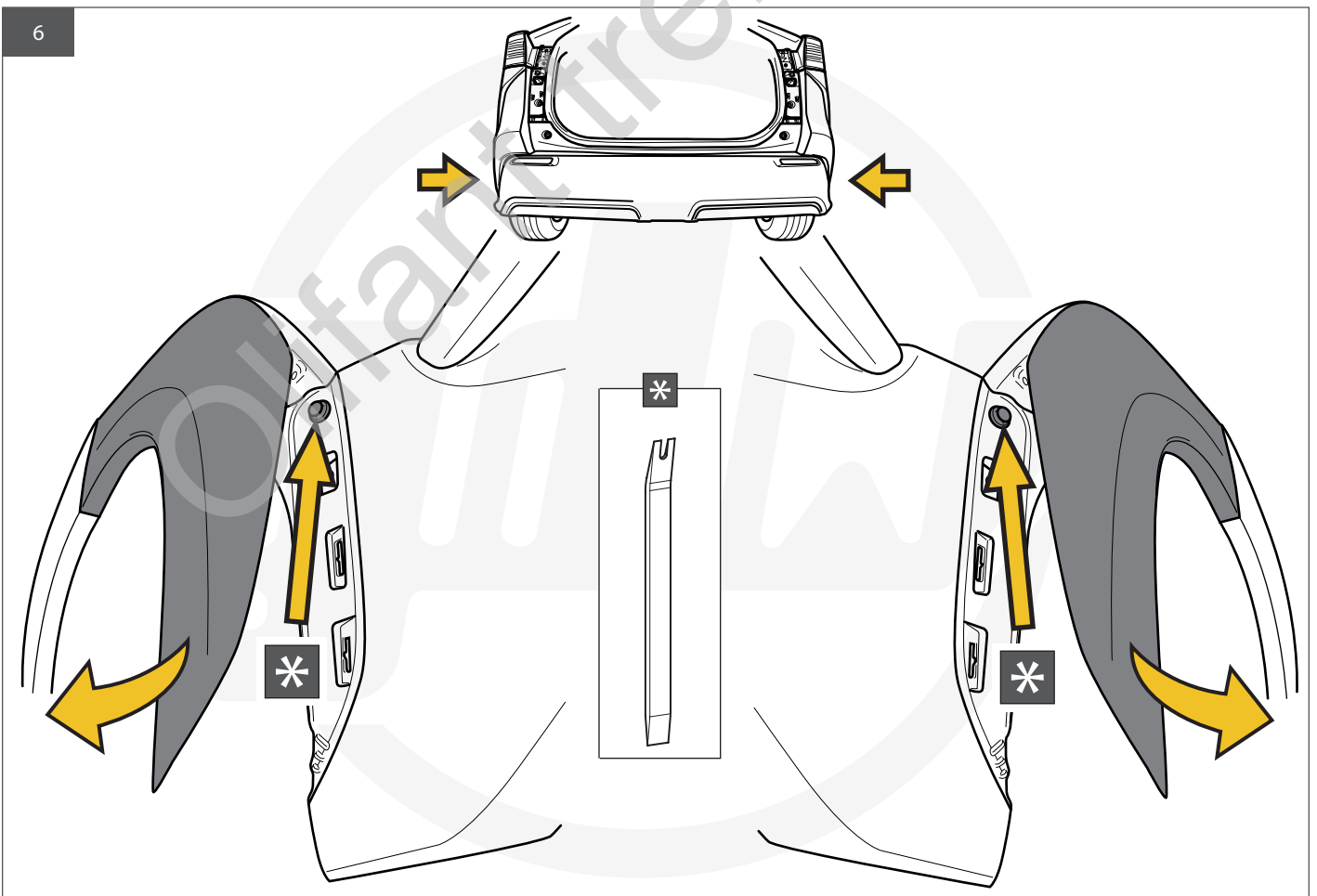


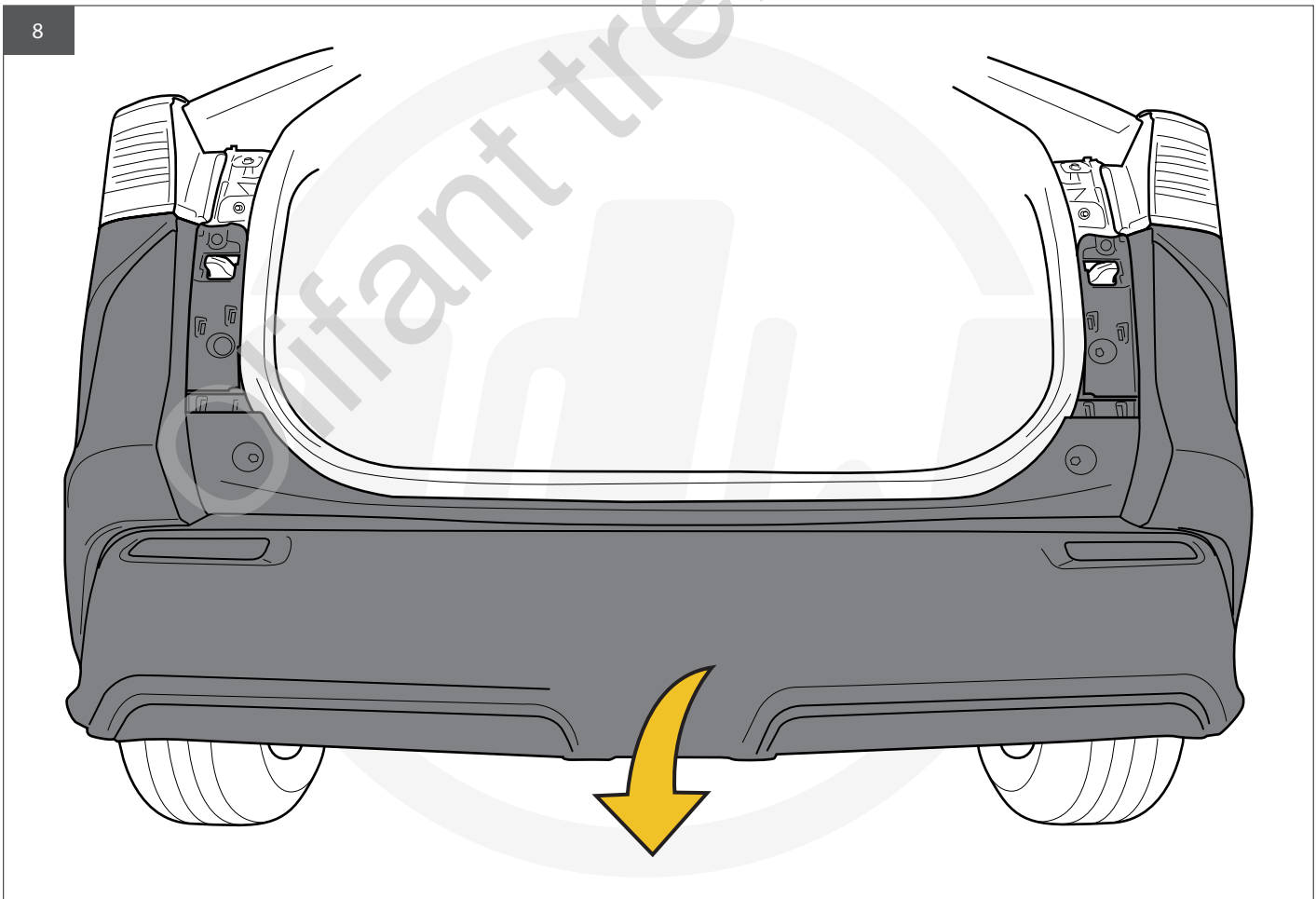
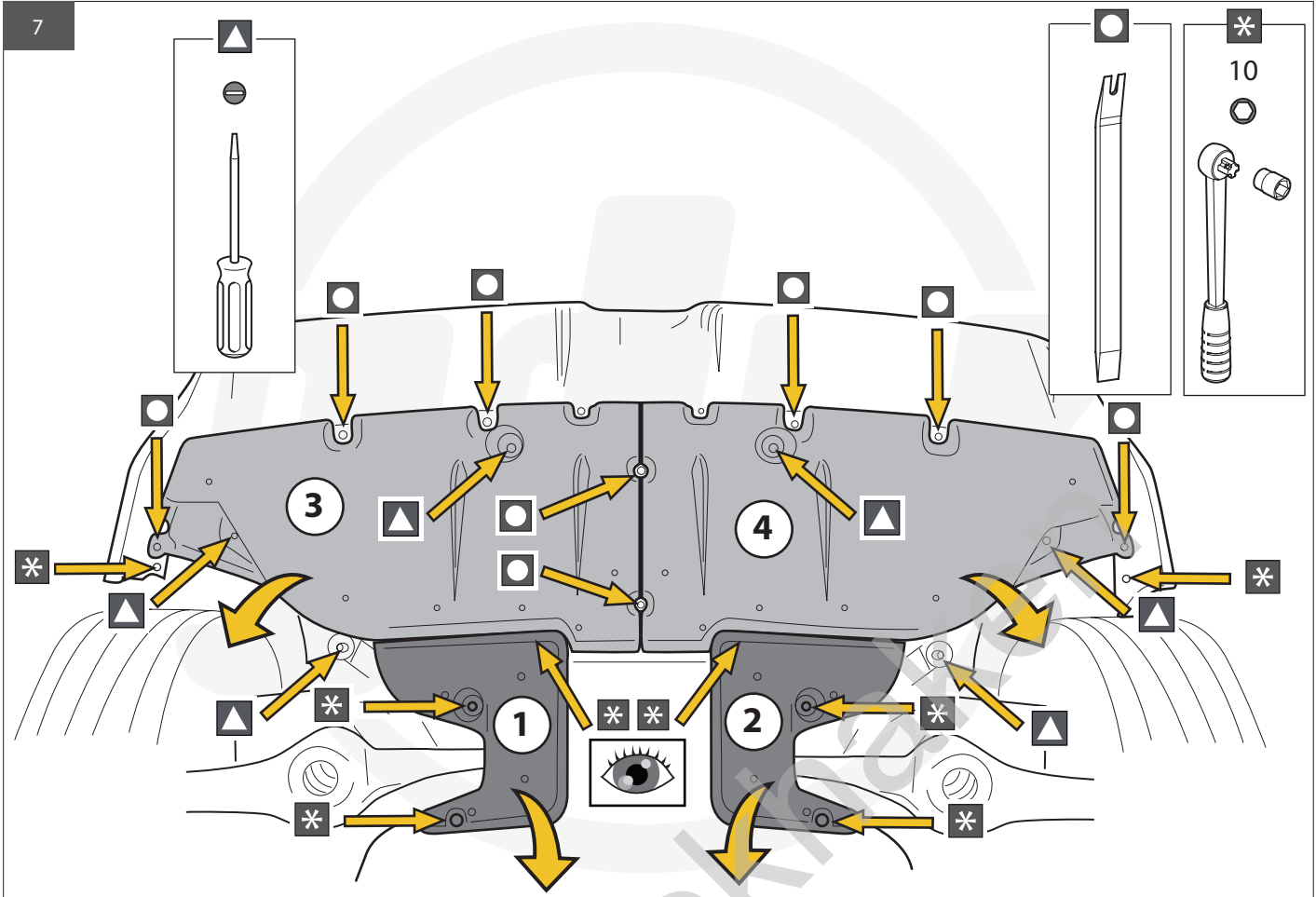


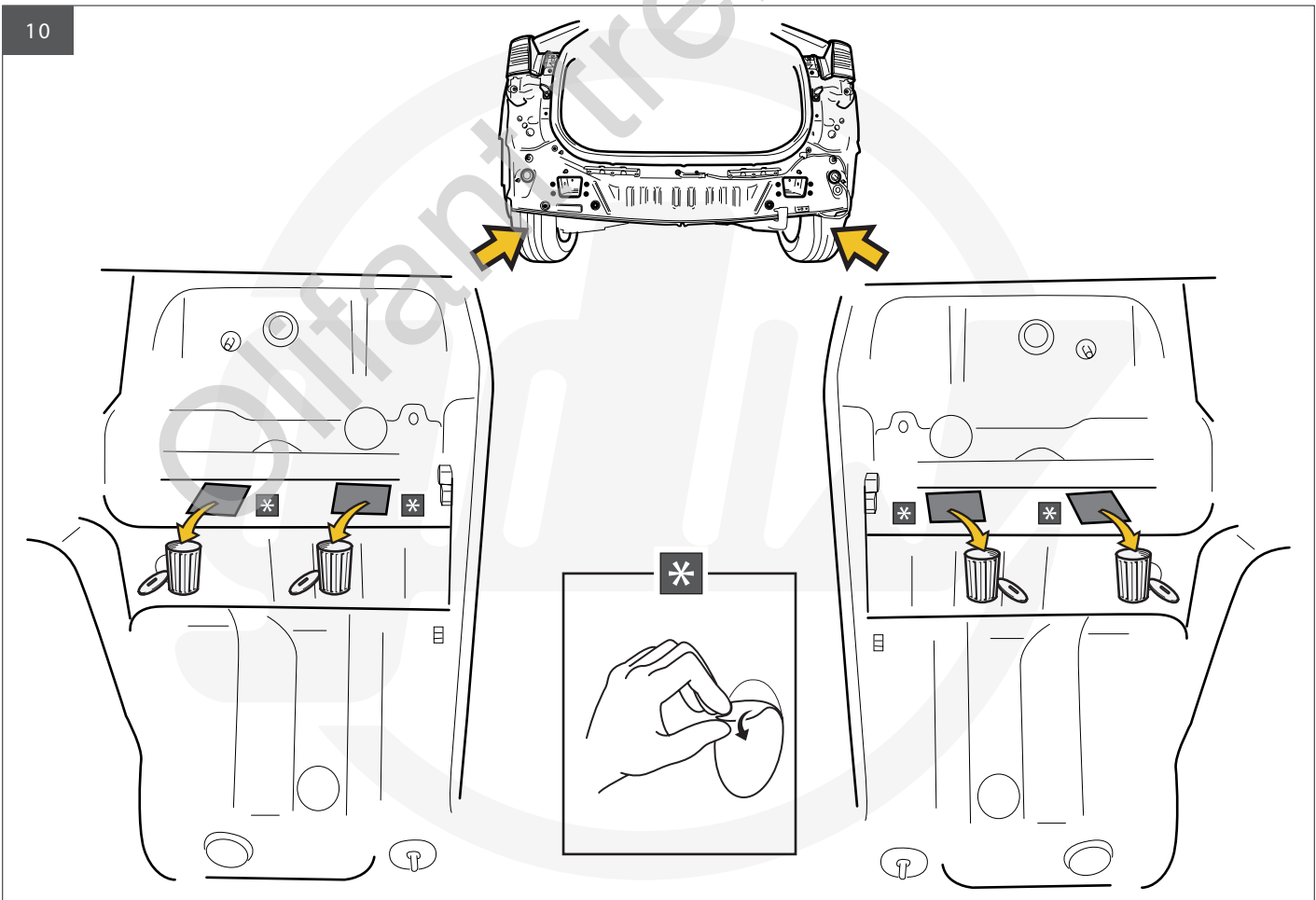
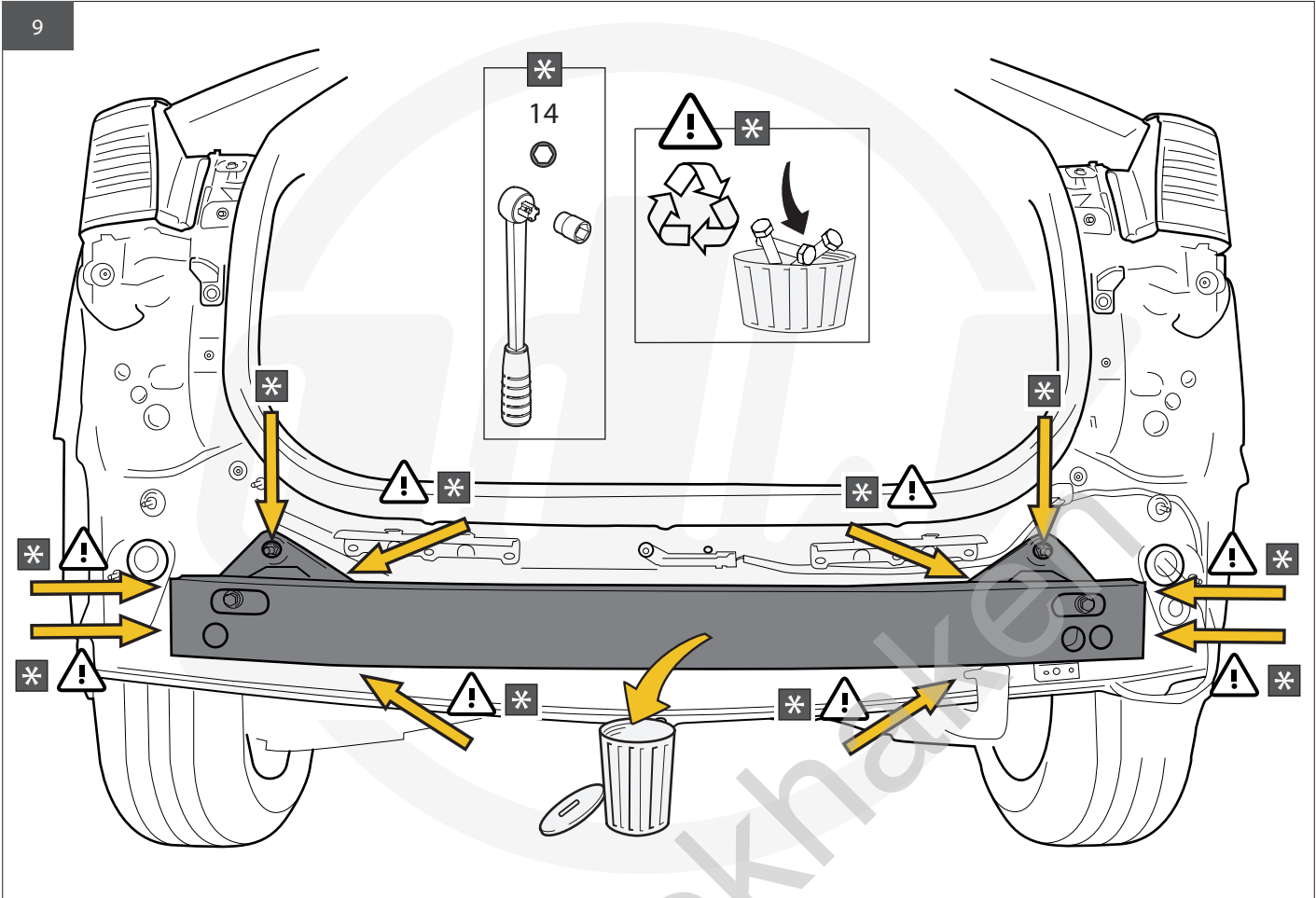
5

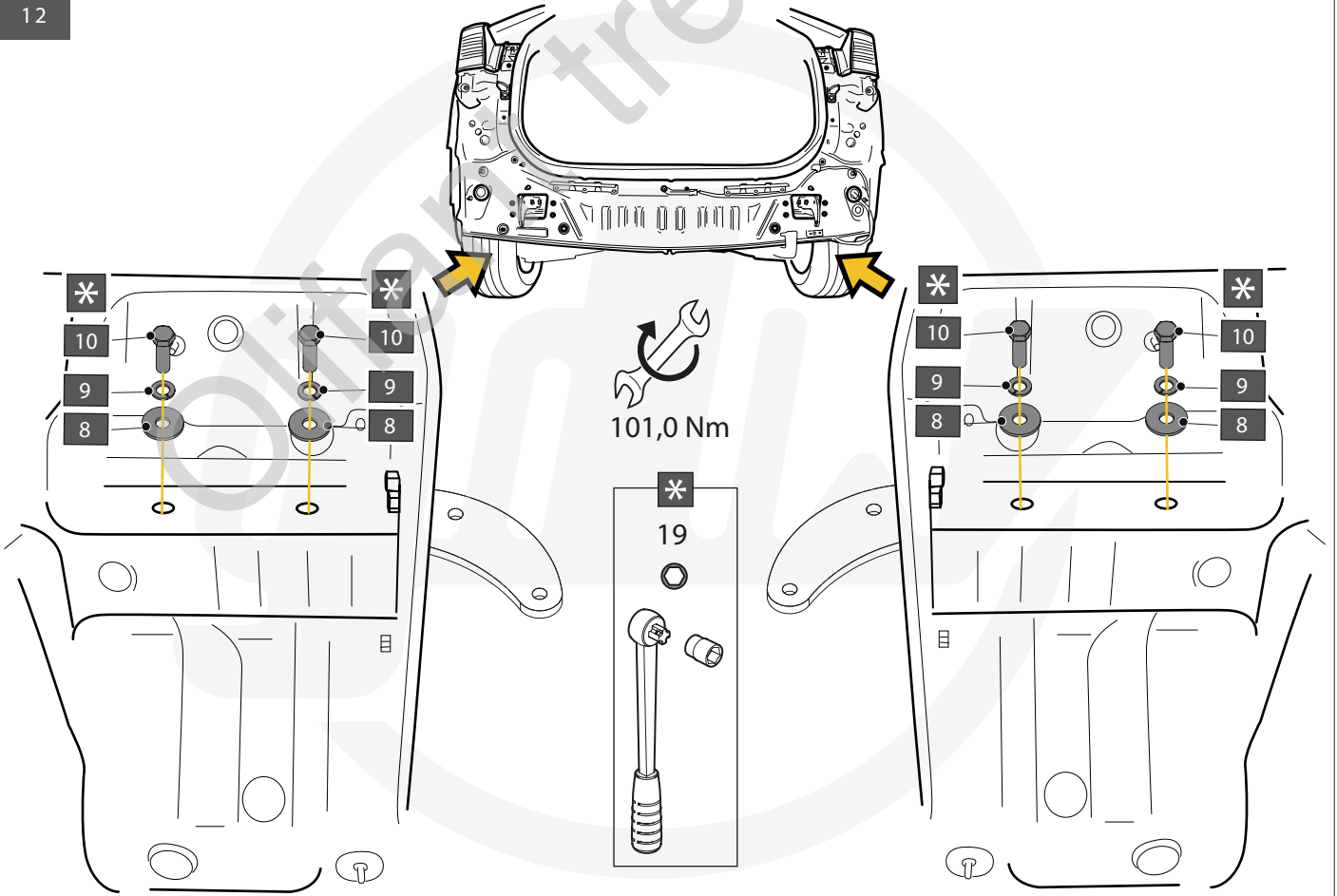
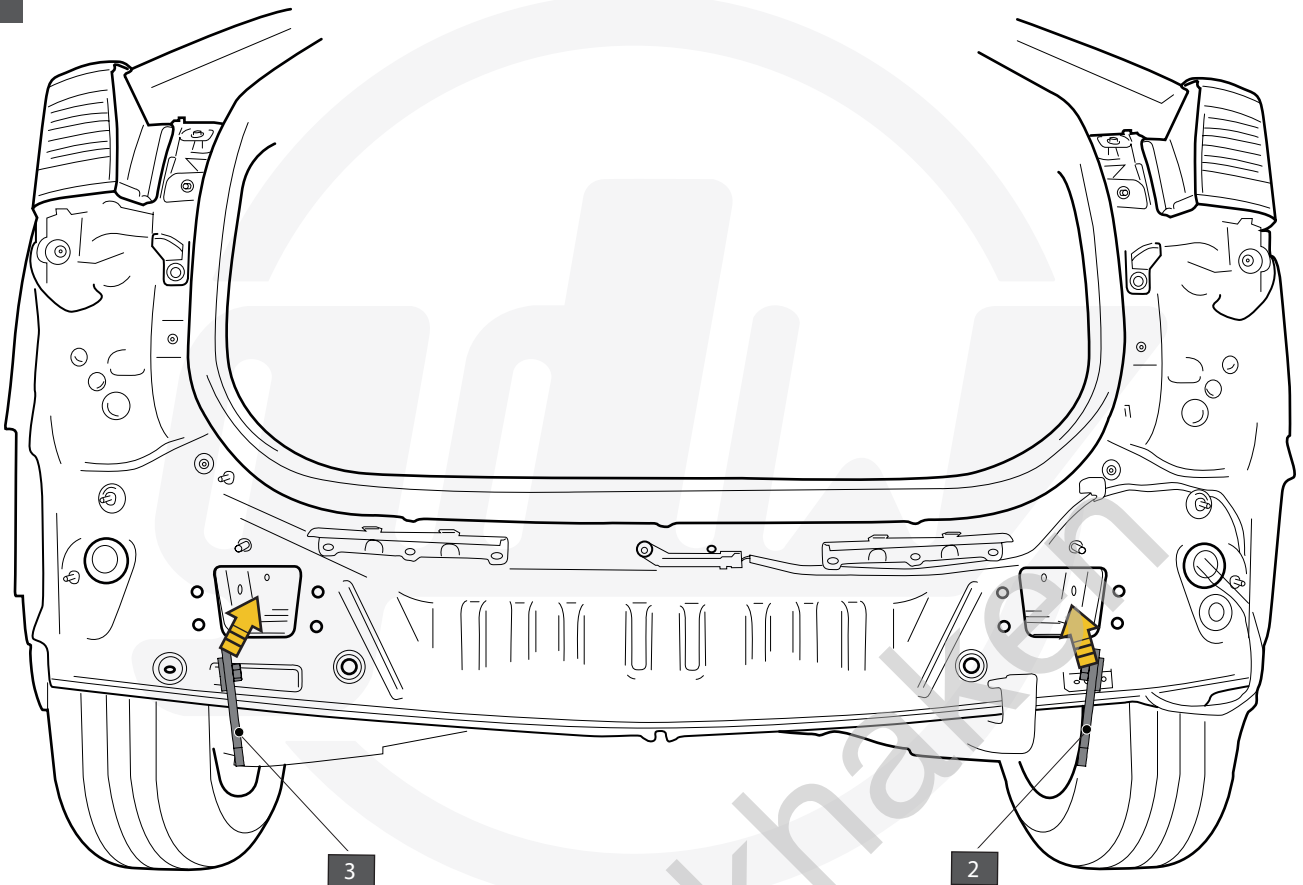


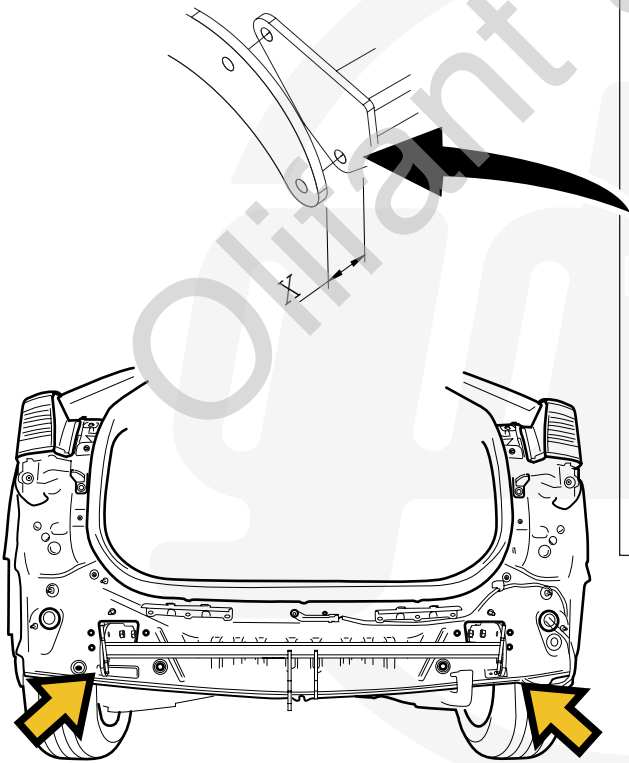
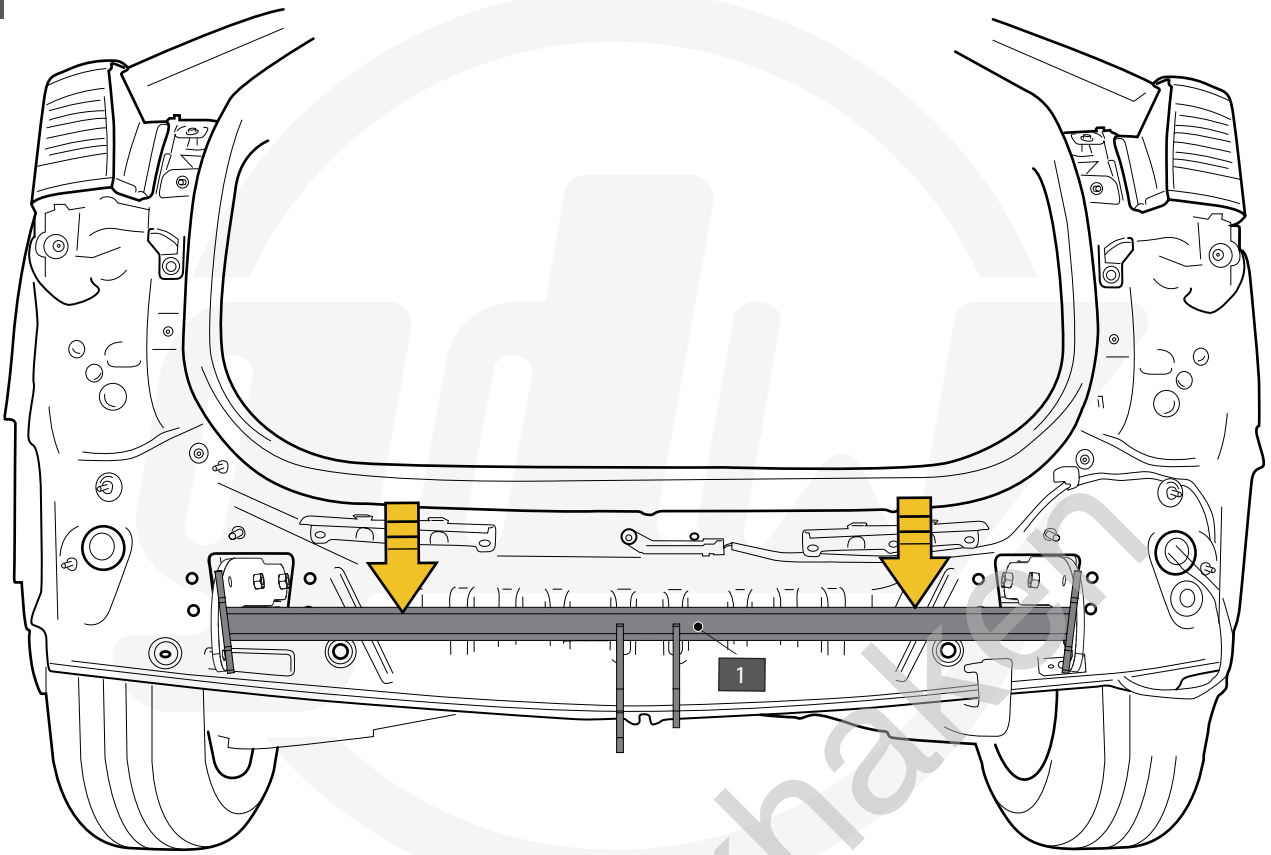
6



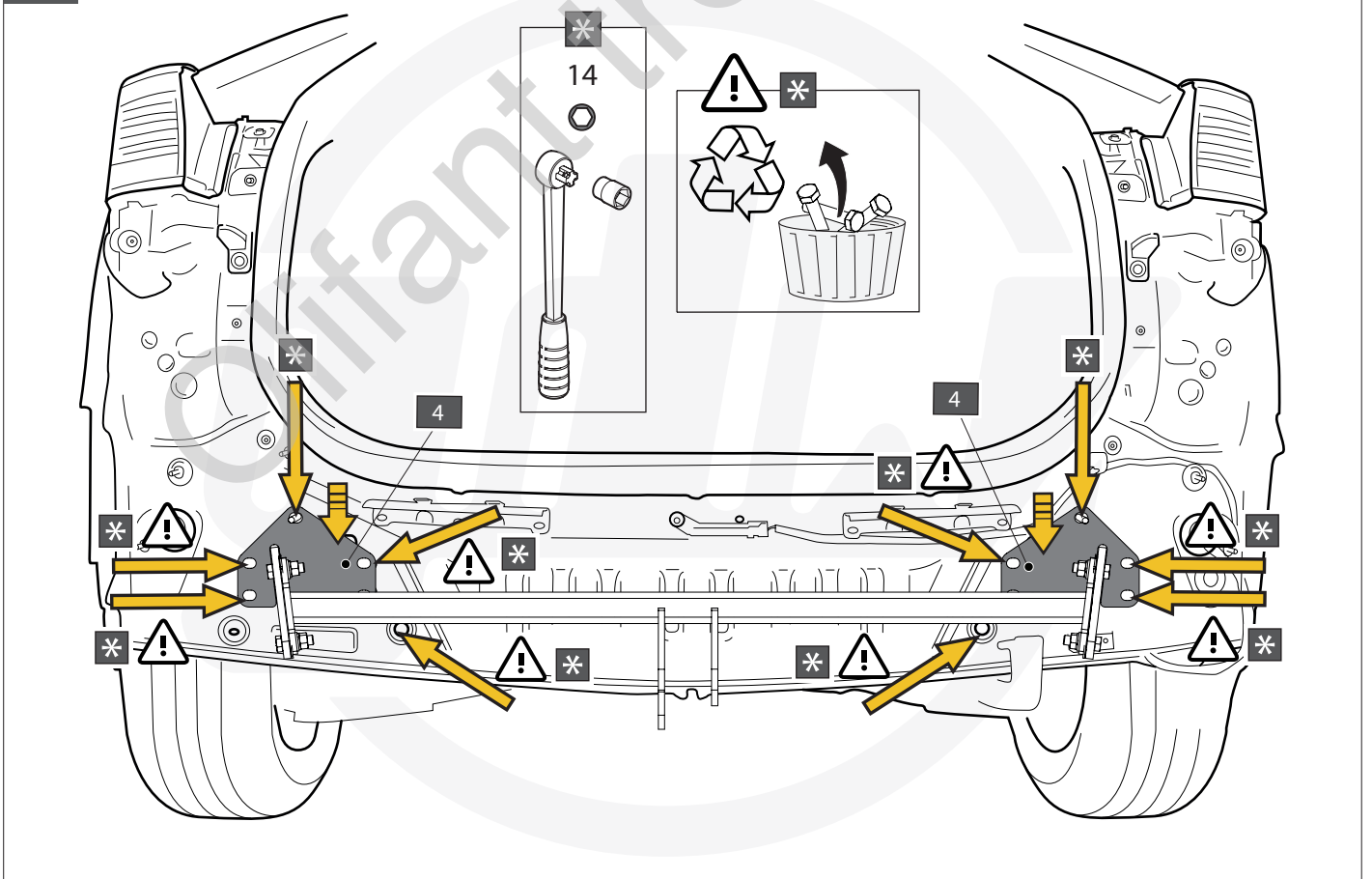
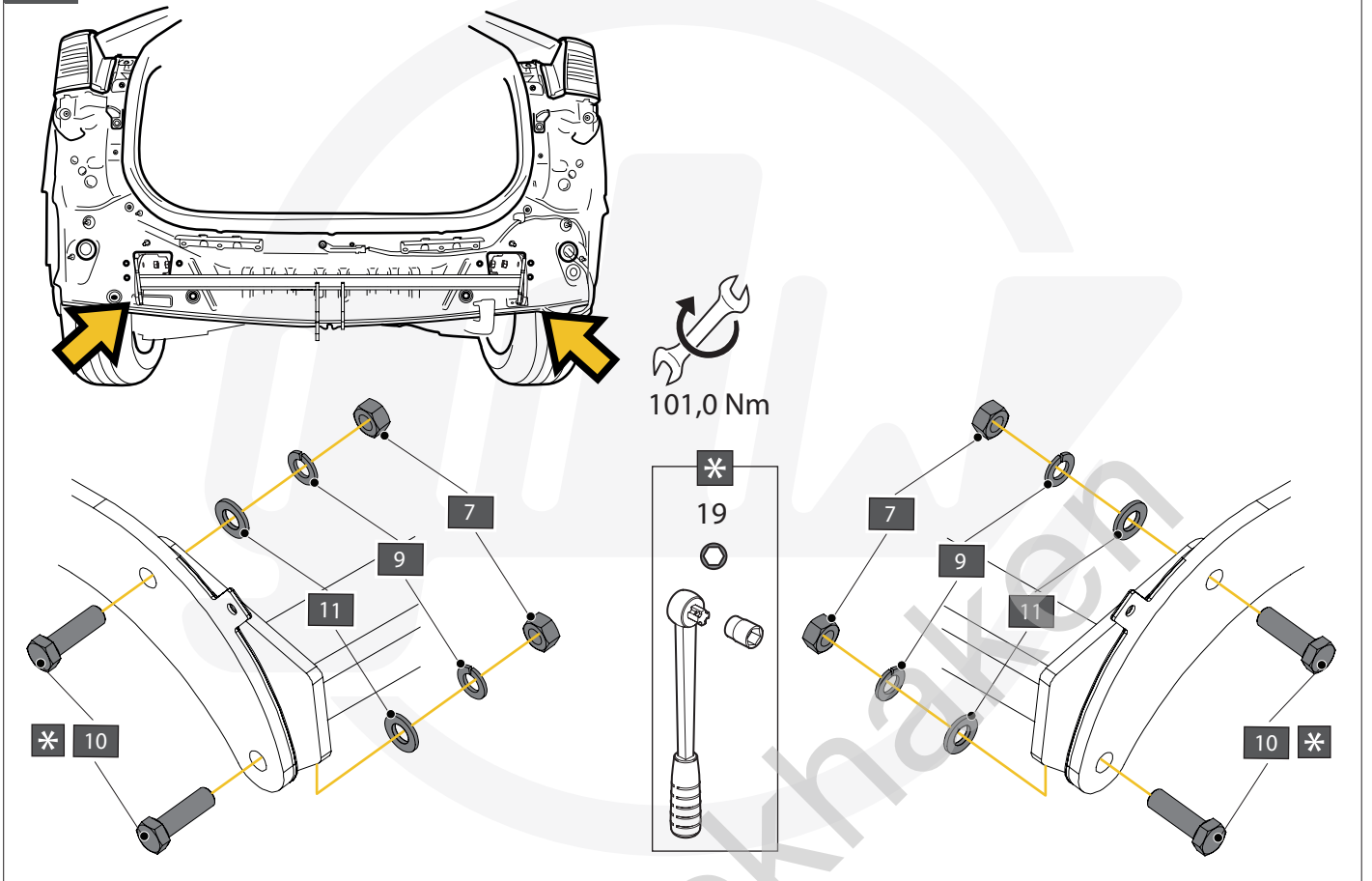


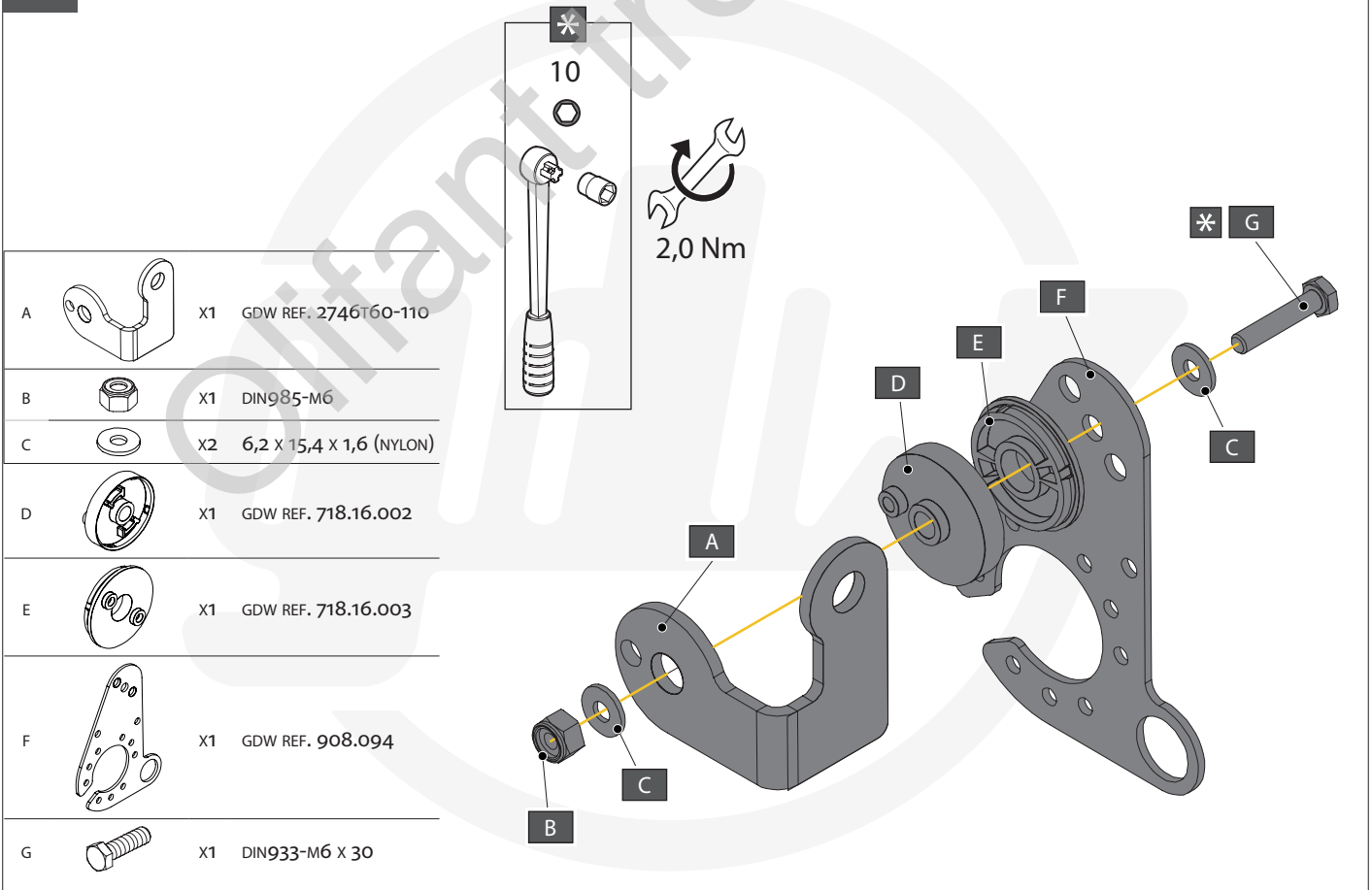
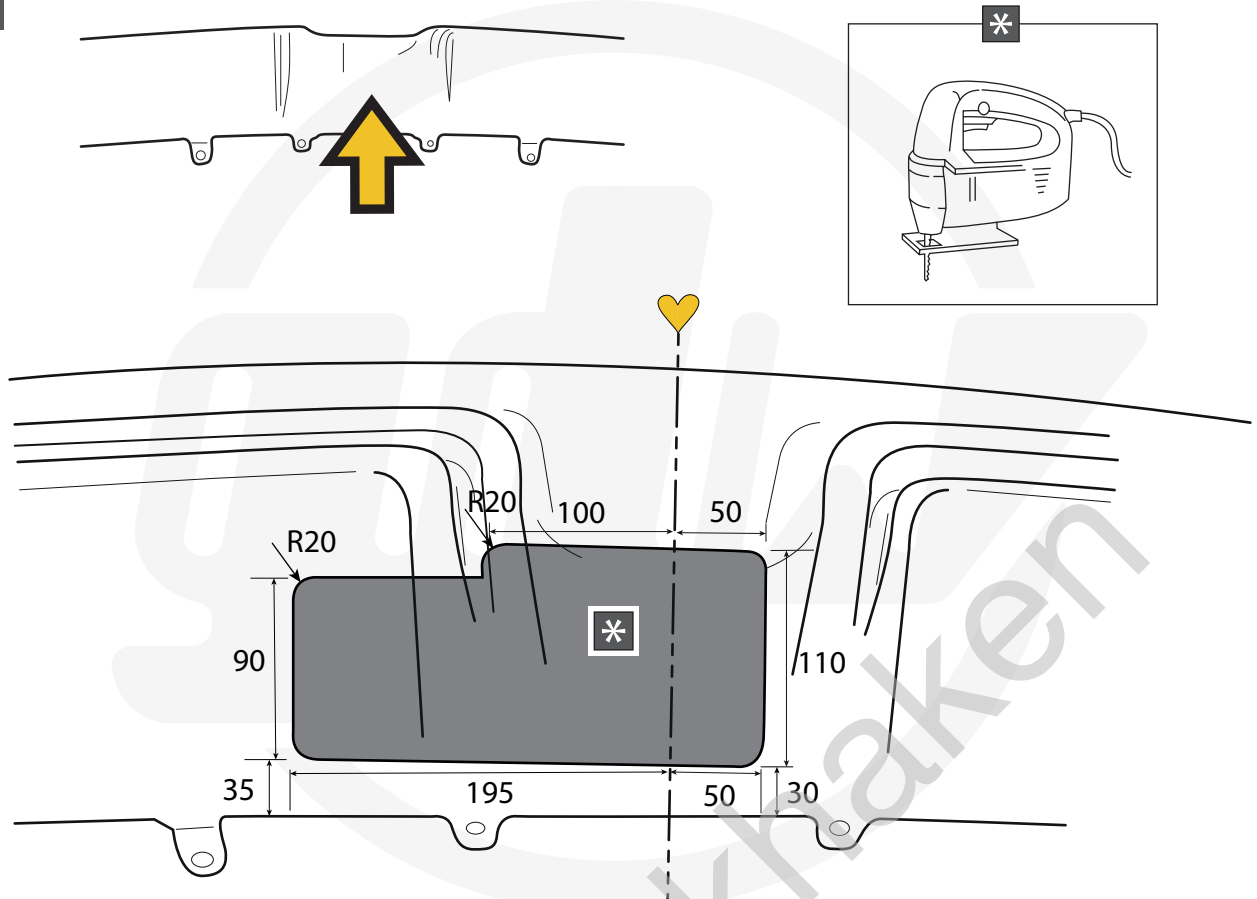


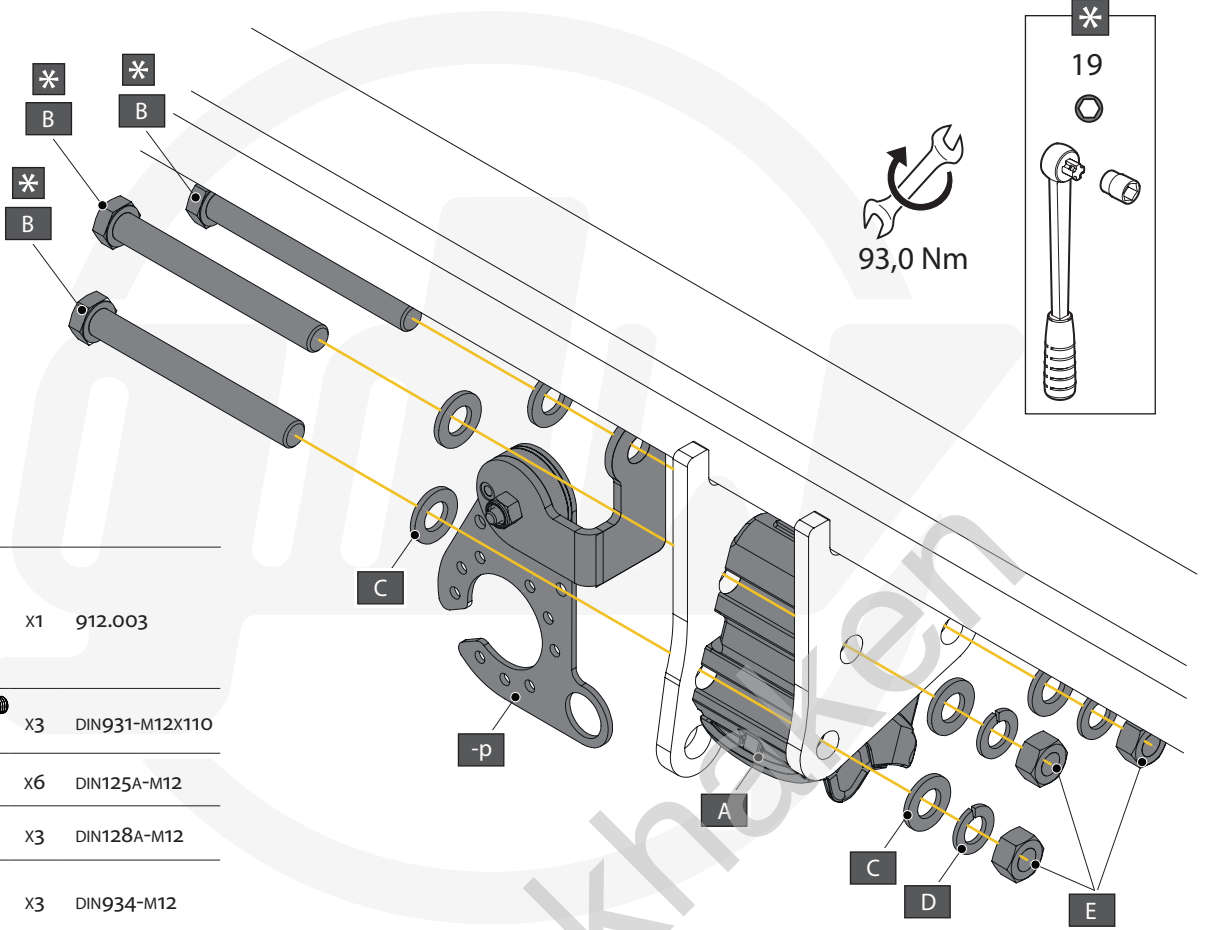




$X < 1 \text{ mm}$	$1 \leq X < 2 \text{ mm}$	$2 \leq X < 3 \text{ mm}$
$3 \leq X < 4 \text{ mm}$	$4 \leq X < 5 \text{ mm}$	$5 \leq X < 6 \text{ mm}$
	$6 \leq X$	







A		X1	912.003
B		X3	DIN931-M12X110
C		X6	DIN125A-M12
D		X3	DIN128A-M12
E		X3	DIN934-M12

