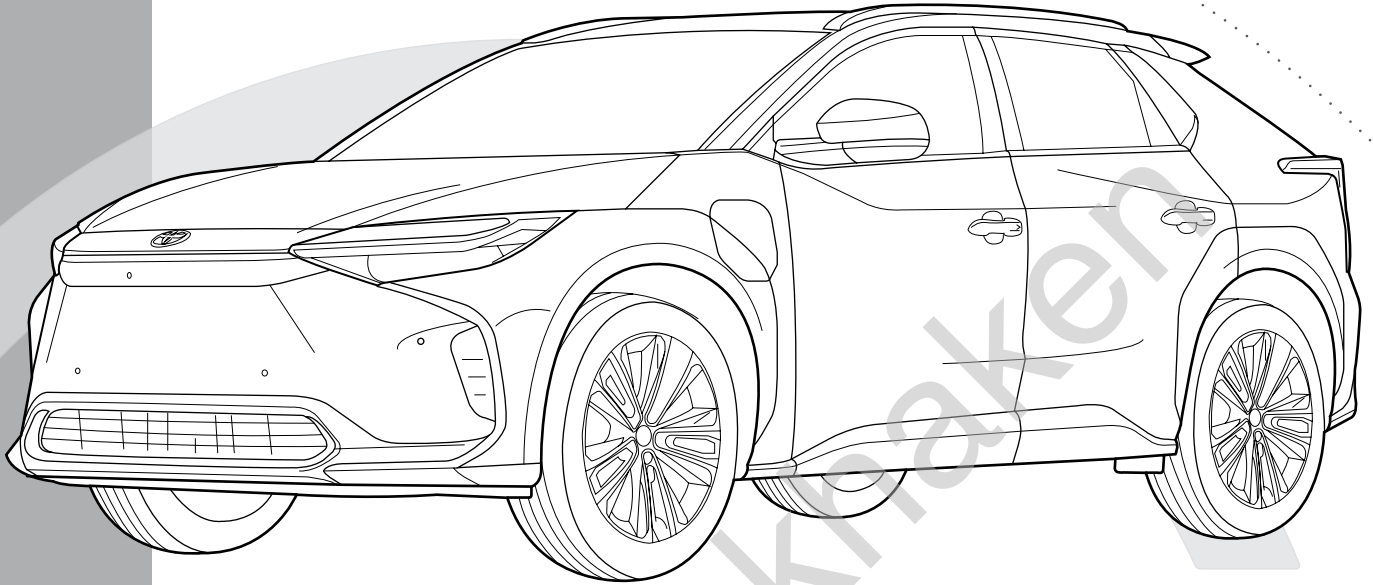
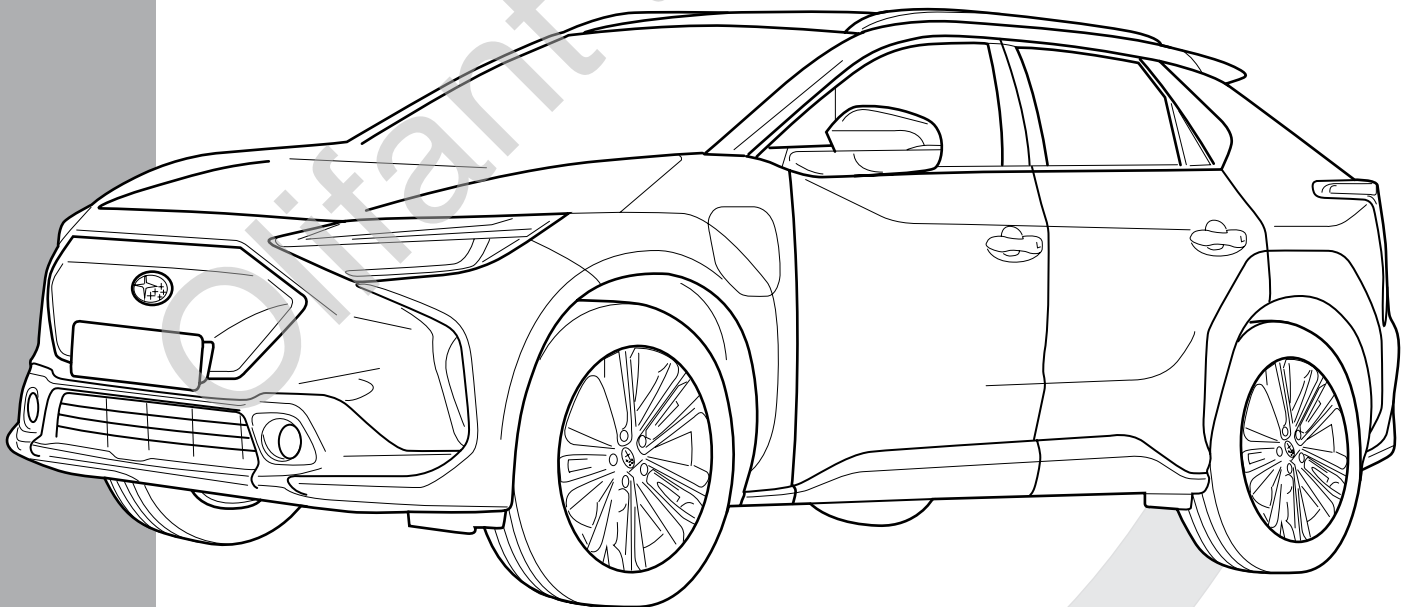


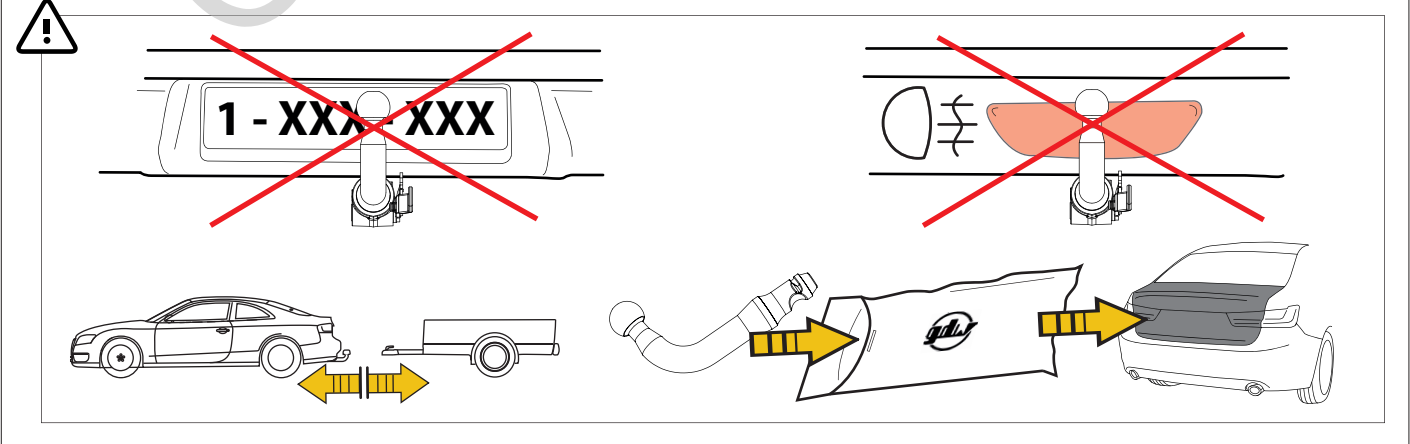
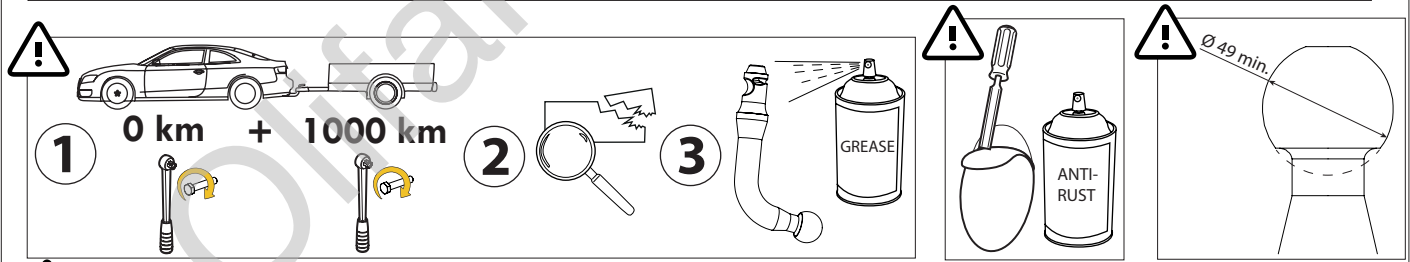
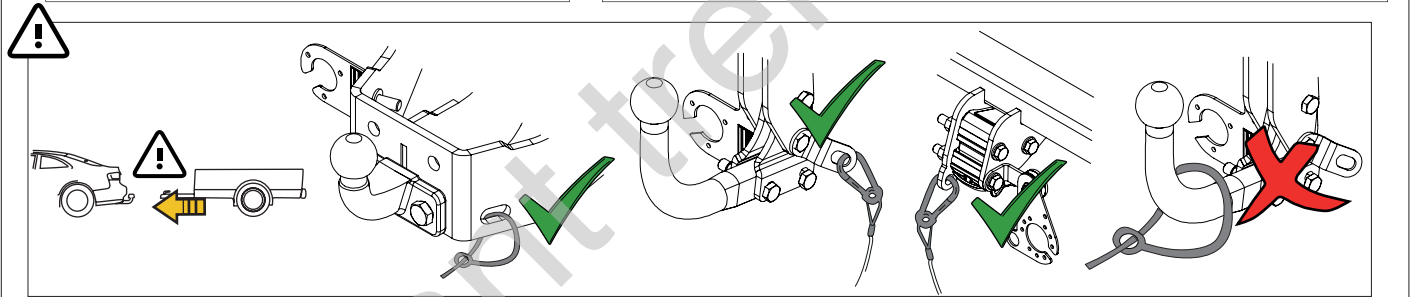
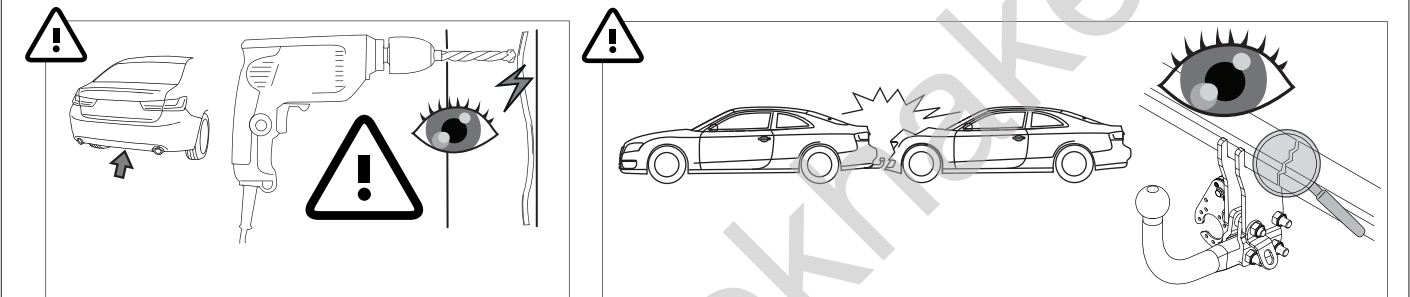
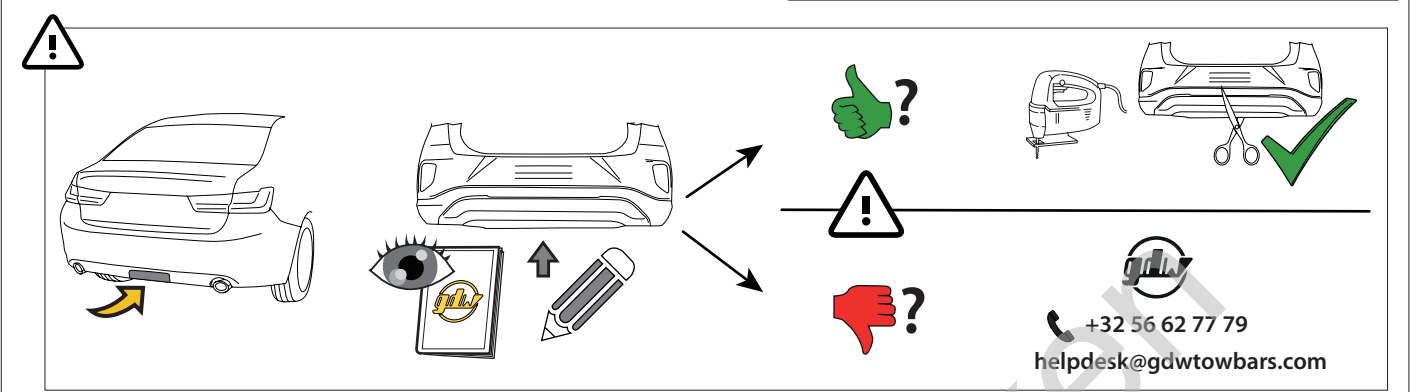
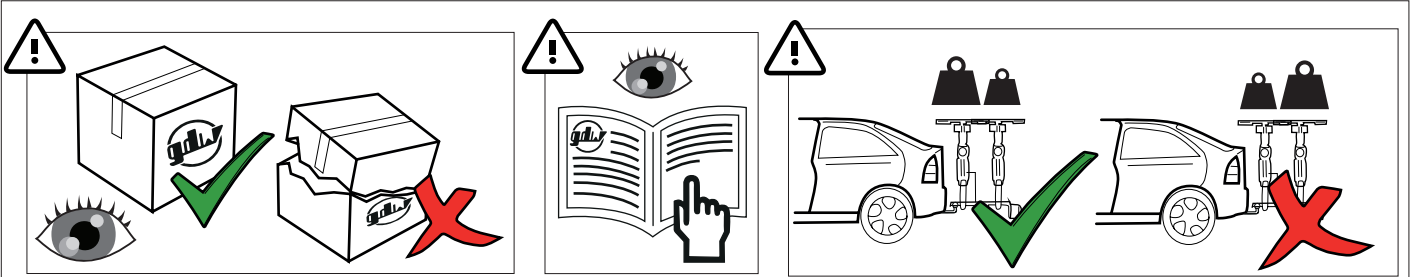



Toyota bZ4X (type EAM1) 12/'21 -



Subaru Solterra 06/'22 -




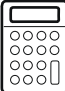


MADE BY  **D 6,15** **F** **E6**

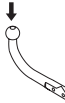
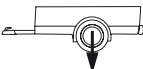

BELGIUM **S 75** EC-N° 55R- 02 1780

REF N° 2745 SERIAL N° XXXX

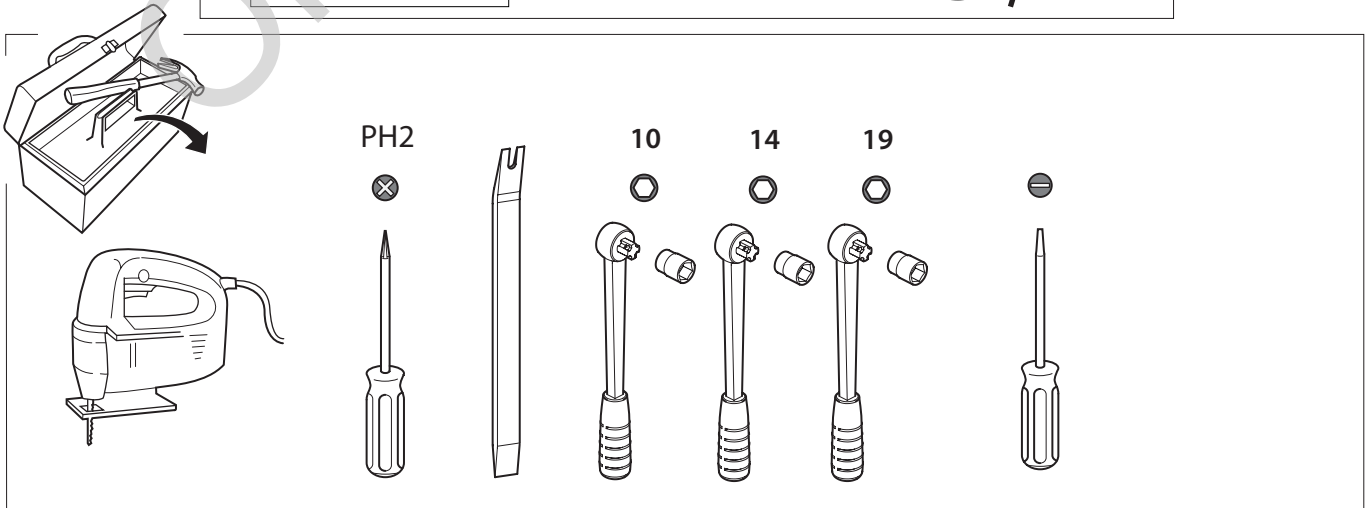
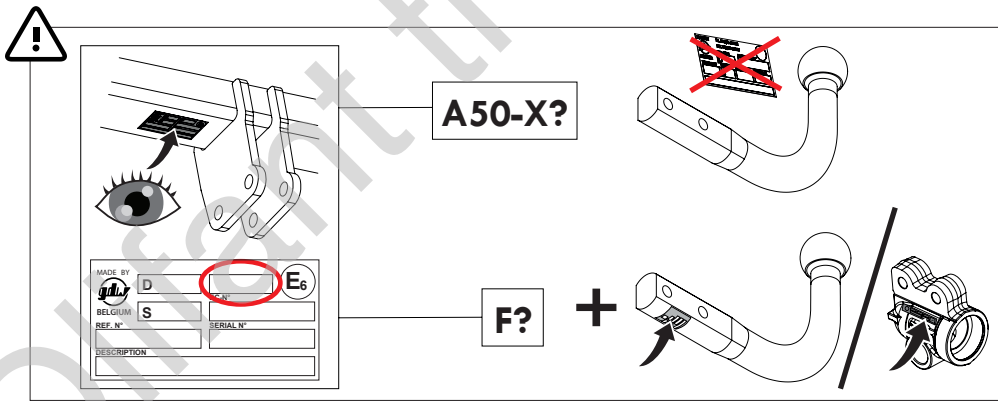
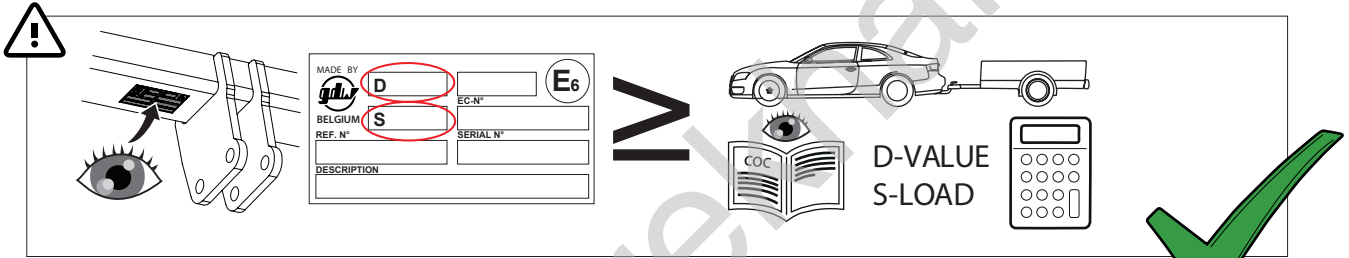
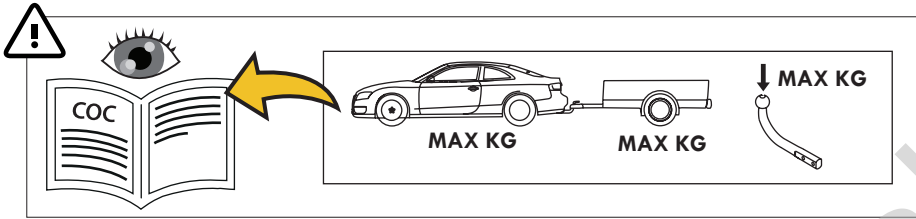
DESCRIPTION
Toyota bZ4X '21- & Subaru Solterra '22-

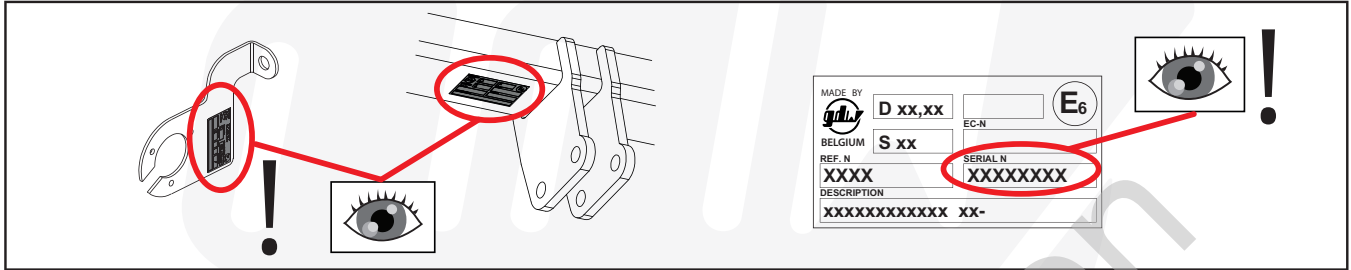
 

D = $\frac{\text{max kg (car)} \times \text{max kg (trailer)}}{\text{max kg (car)} + \text{max kg (trailer)}} \times 0.00981 \leq 6,15 \text{ kN}$

S =  ≤ 75 kg  ≤ 750 kg 

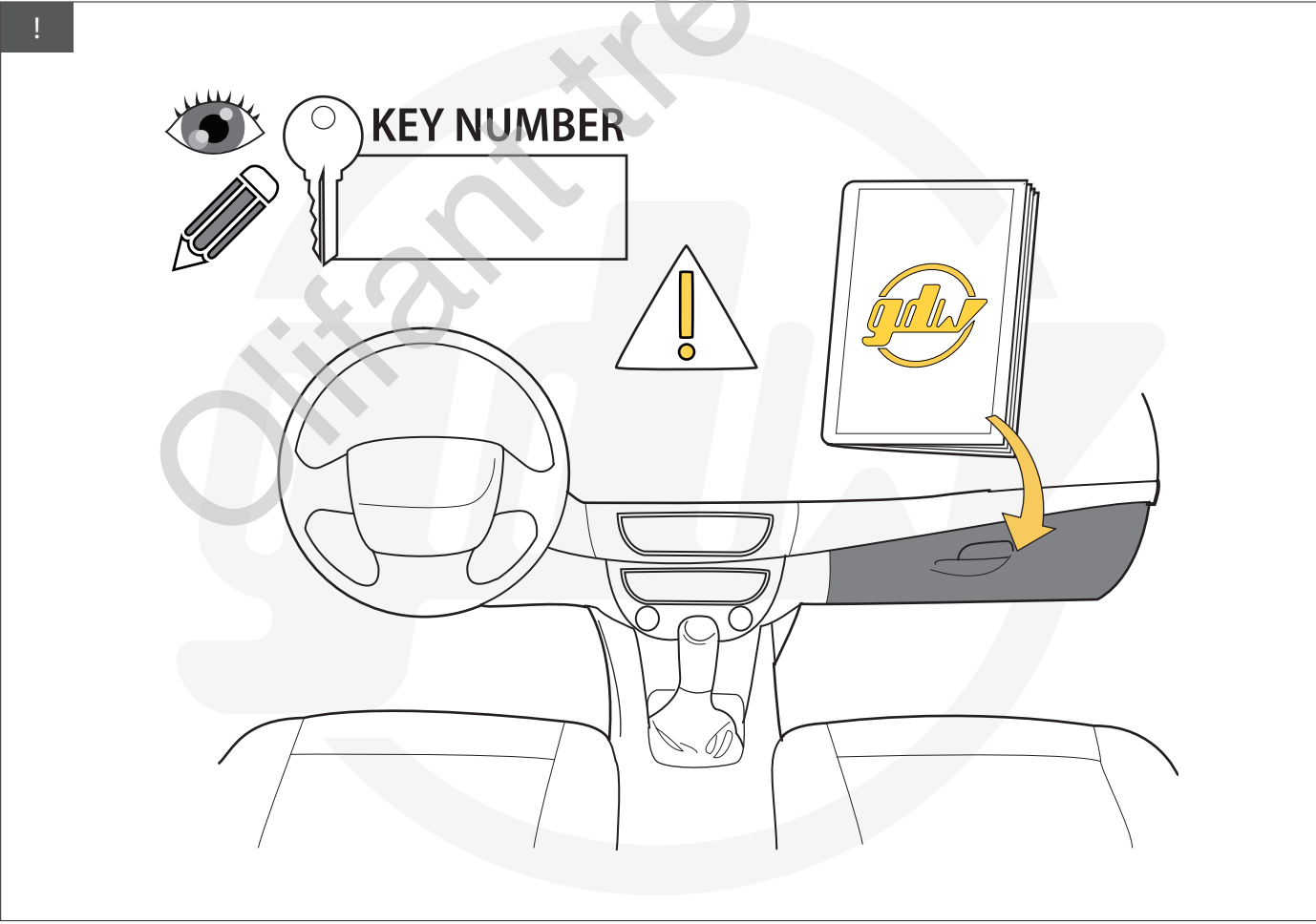
 See the Certificate Of Conformity (COC) of your vehicle or contact your dealer to verify the max. trailer weight of your car!

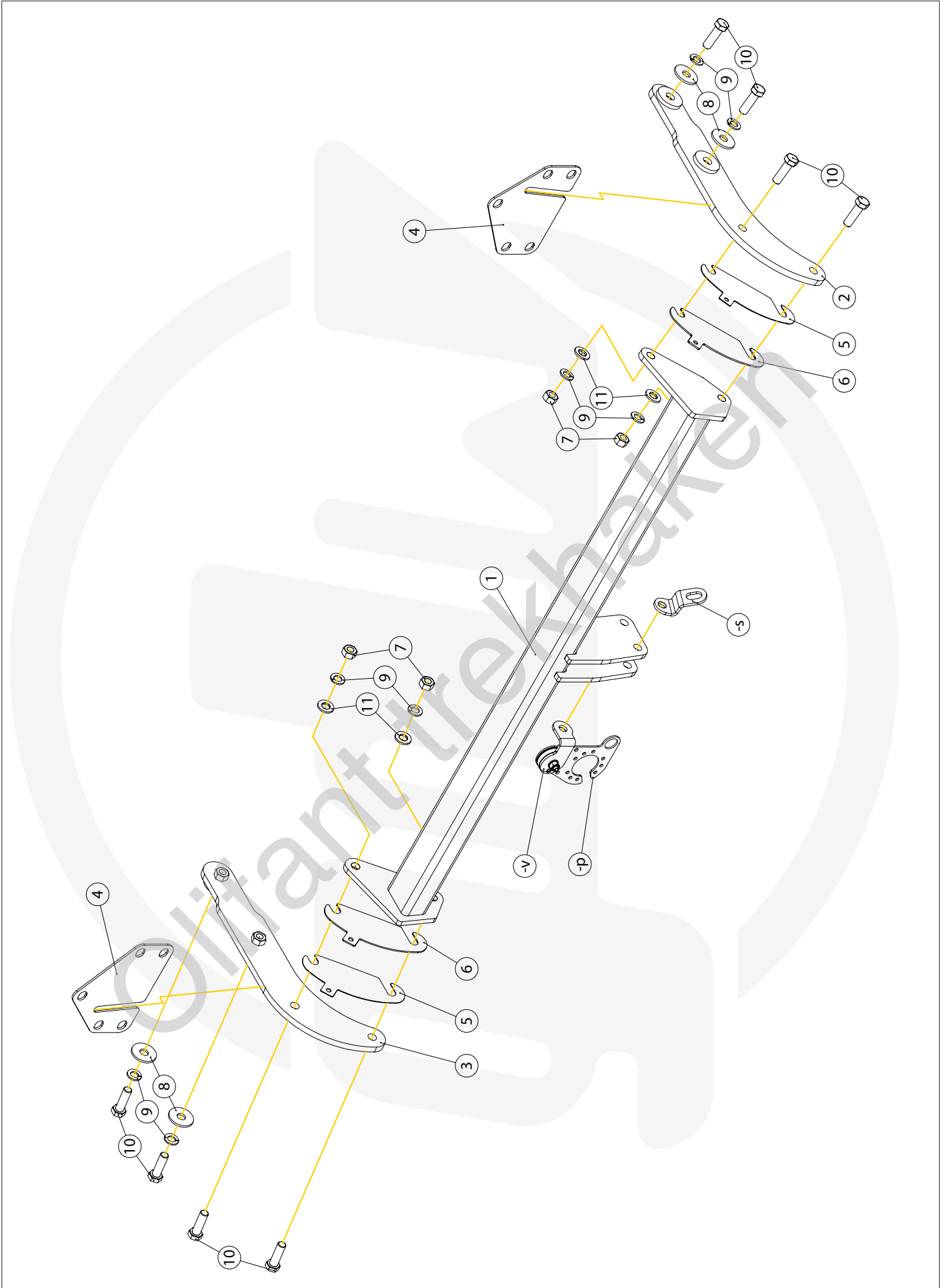


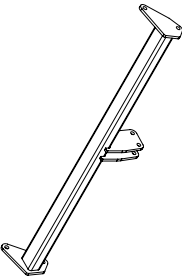
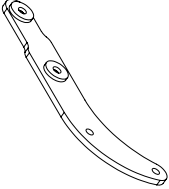
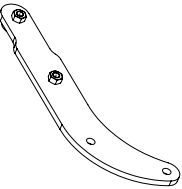
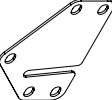

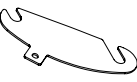








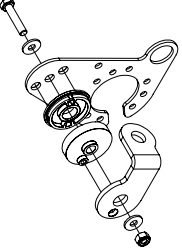

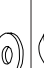


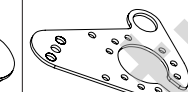


helpdesk@gdwtowbars.com
+32 56 62 77 79

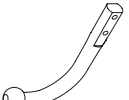
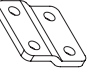

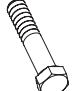

Monday	08:00 - 12:00	12:30 - 16:30
Tuesday	08:00 - 12:00	12:30 - 16:30
Wednesday	08:00 - 12:00	12:30 - 16:30
Thursday	08:00 - 12:00	12:30 - 16:30
Friday	08:00 - 12:00	12:30 - 15:30






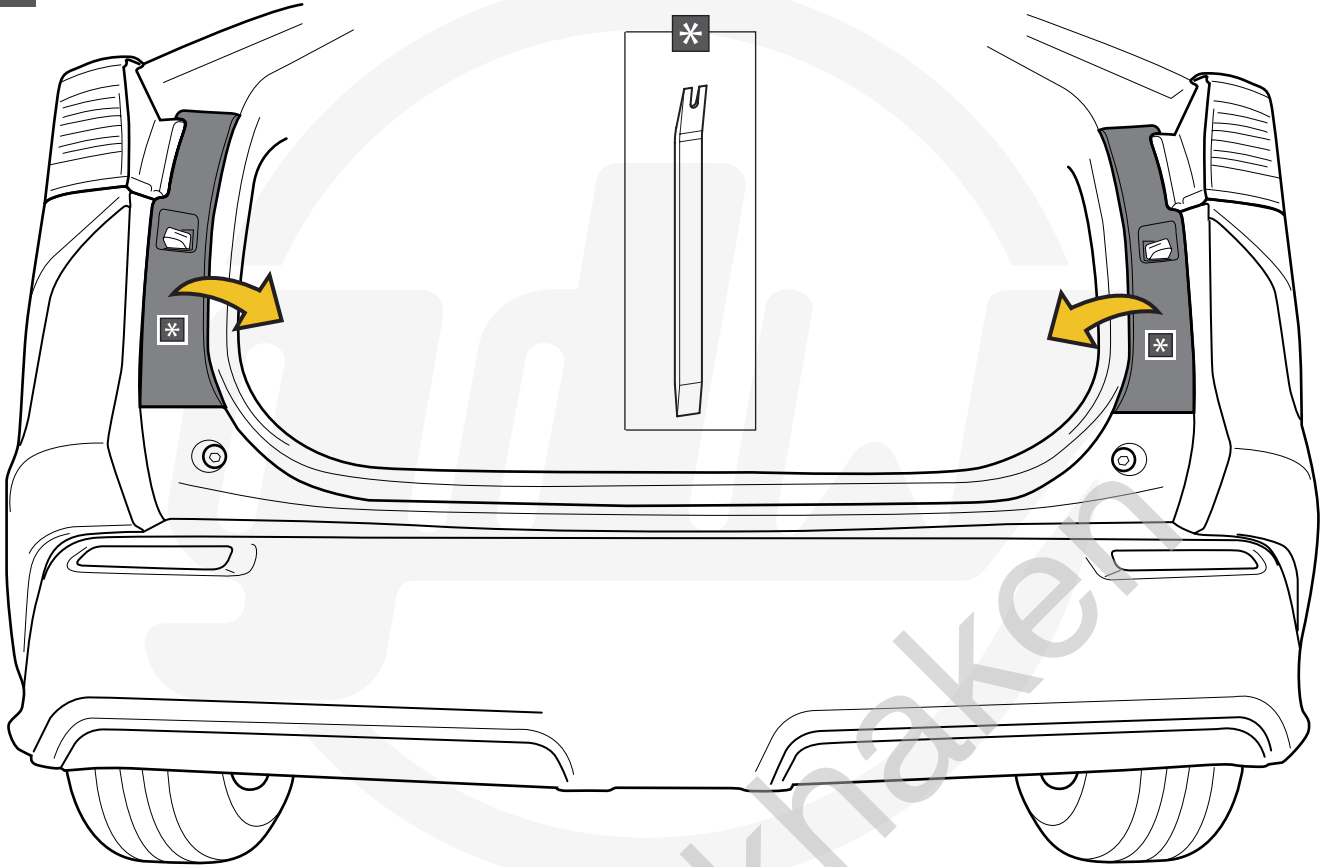
1		X1	GDW REF. 2745
2		X1	GDW REF. 2
3		X1	GDW REF. 3
4		X2	GDW REF. 4
5		X2	GDW REF. 5 (1 MM)
6		X2	GDW REF. 6 (2 MM)
7		X4	DIN934-M12 X 1,25
8		X4	DIN9021-M12-ELVZ
9		X8	DIN128A-M12
10		X8	DIN961-M12 X 40 X 1,25
11		X4	DIN125-A12-140HV-ELVZ
-5		X1	GDW REF. 900.053

-P		X1	GDW REF. P42
↑		X1	DIN985-M6
↑		X2	6,2 X 15,4 X 1,6 (NYLON)
↑		X1	GDW REF. 718.16.002
↑		X1	GDW REF. 718.16.003
↑		X1	GDW REF. 908.094
↑		X1	DIN933-M6 X 30
↑		X1	GDW REF. 908.098 (-V)

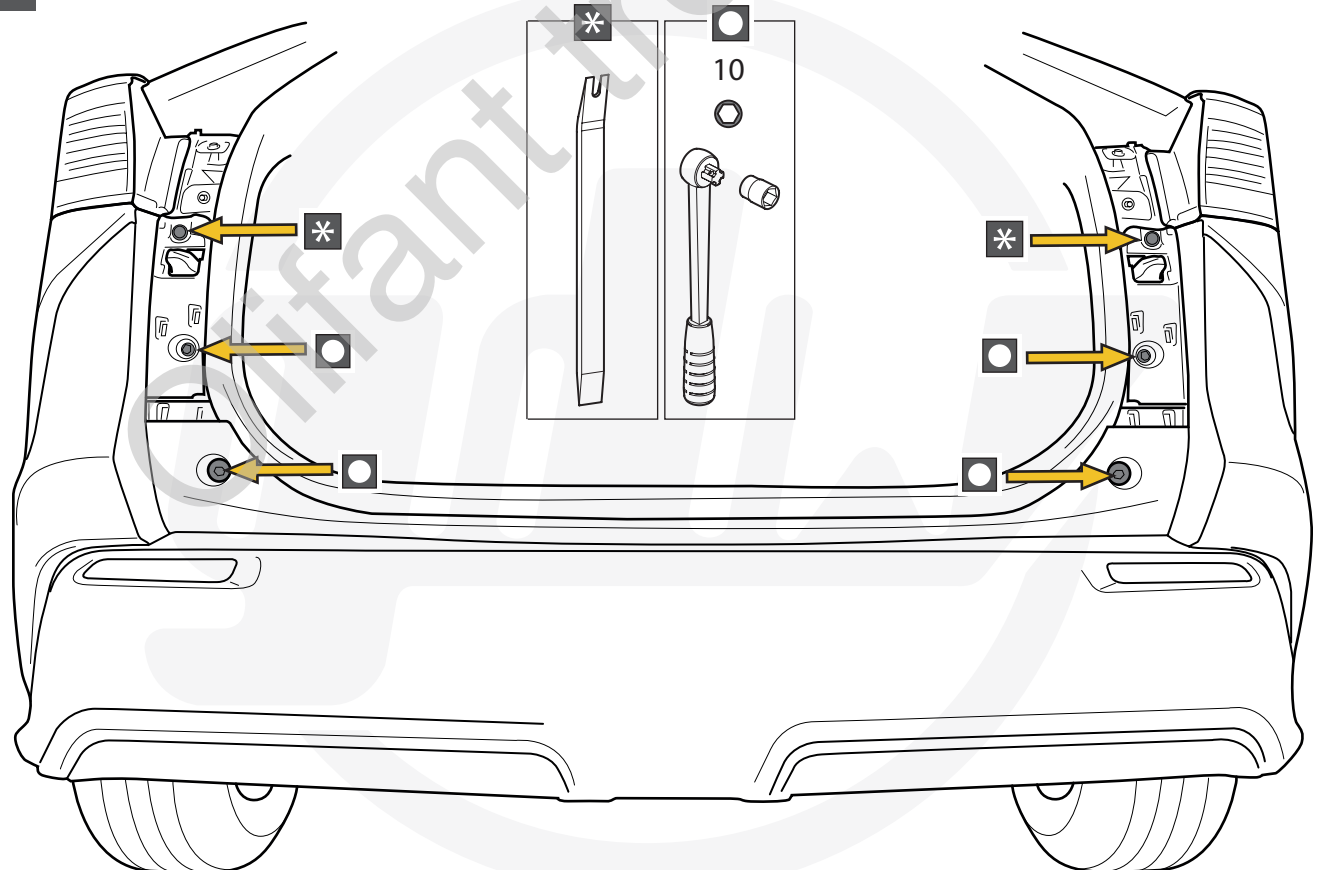
Geleverd met - Livré avec - Delivered with Geliefert mit - Elementos adjuntos-Leveres med		X1	943.M006
		X2	GDW REF. 900.008
		X2	GDW REF. 900.011 Ø 21.3 X 11.7
		X4	DIN931-M12 X 70
		X4	DIN985-M12

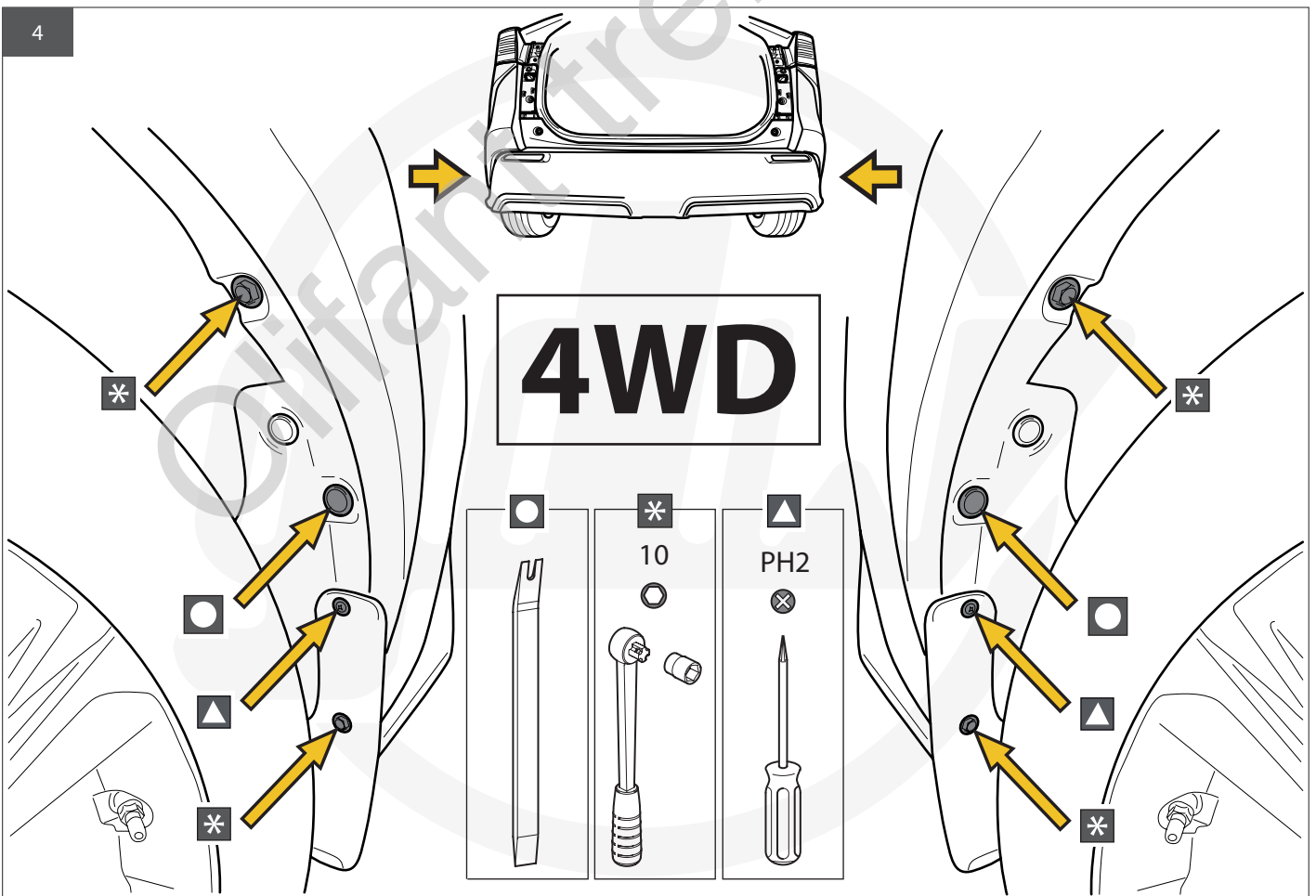
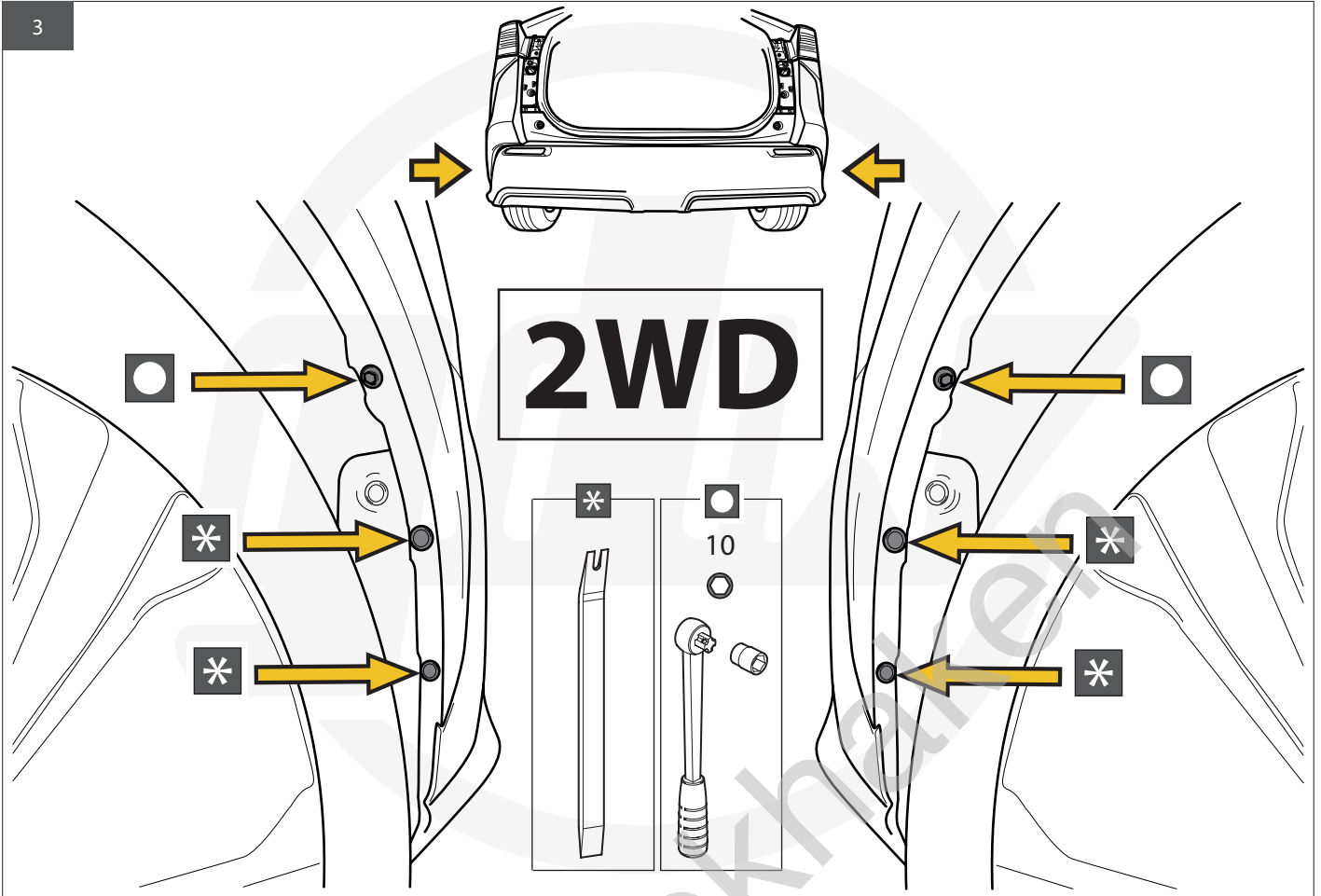
OPTION T36		
	X1	KITT36-2745

1

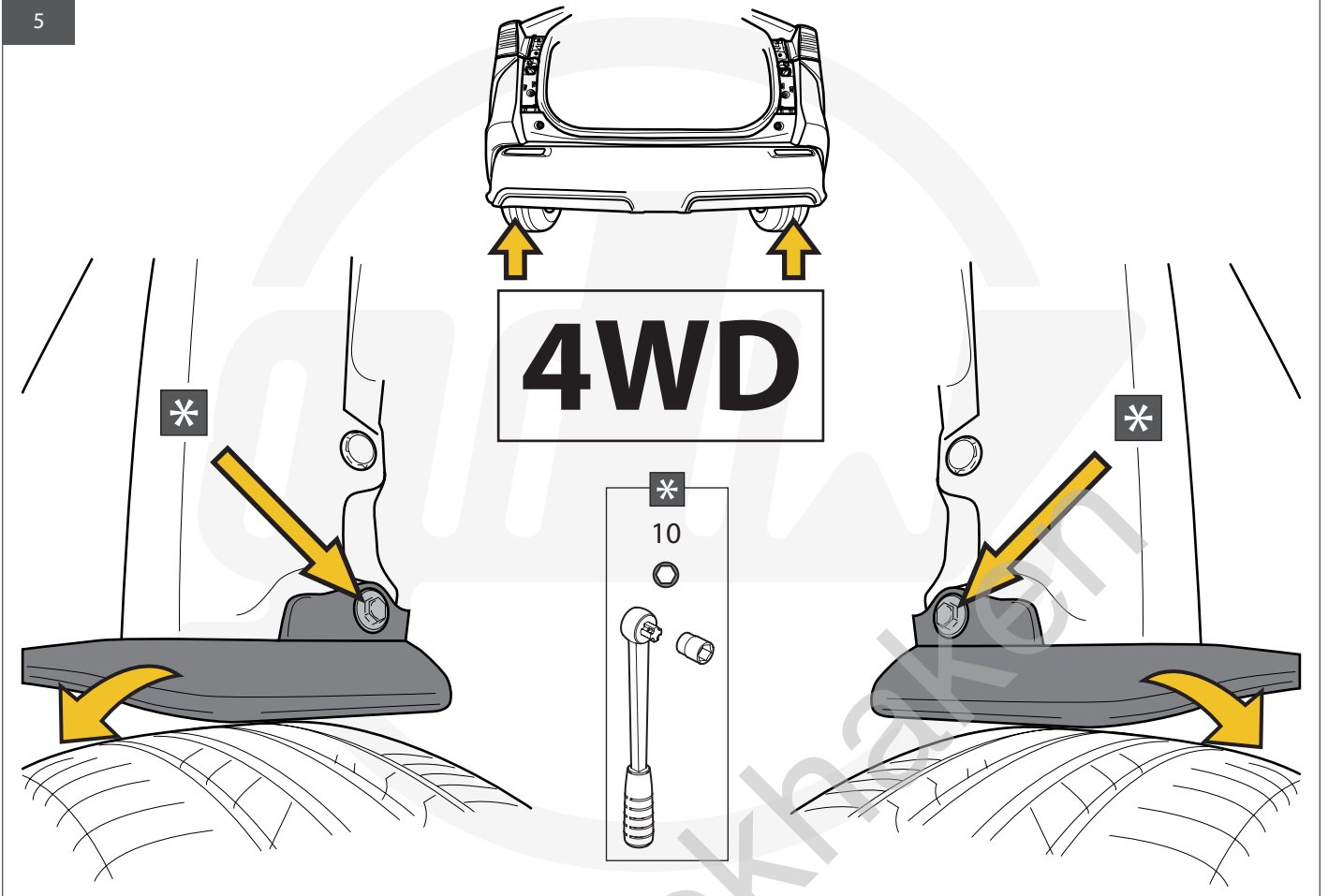


2

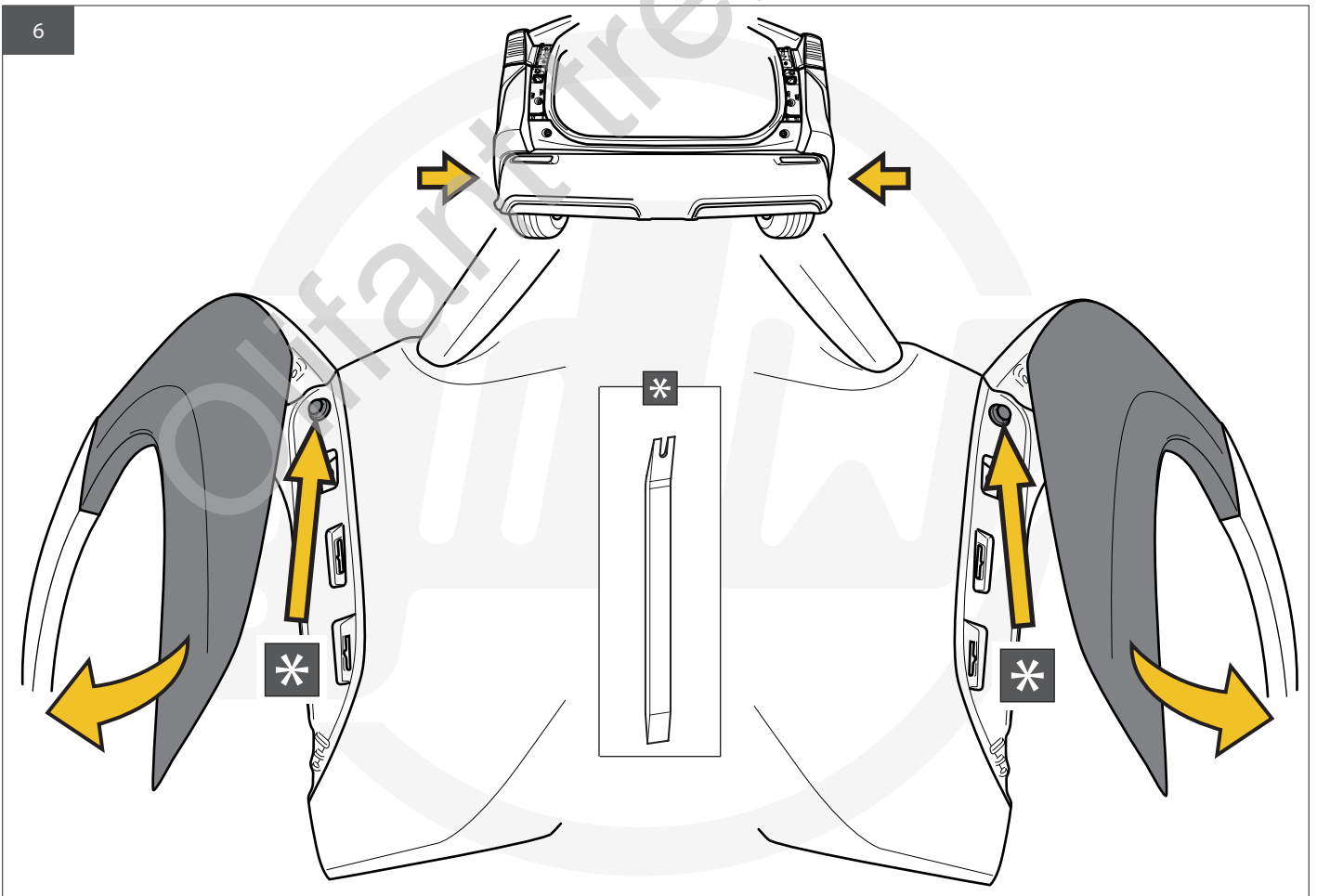


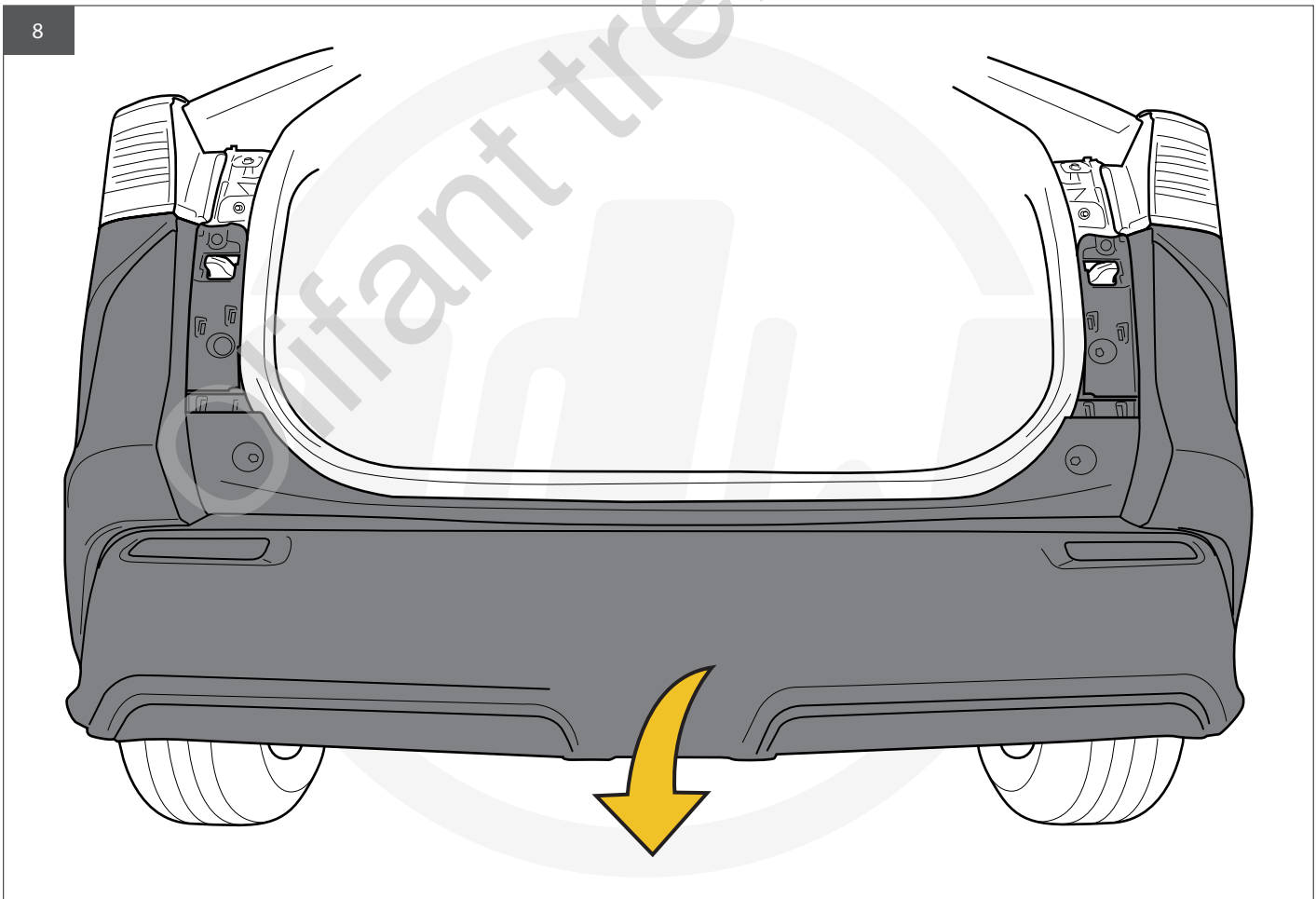
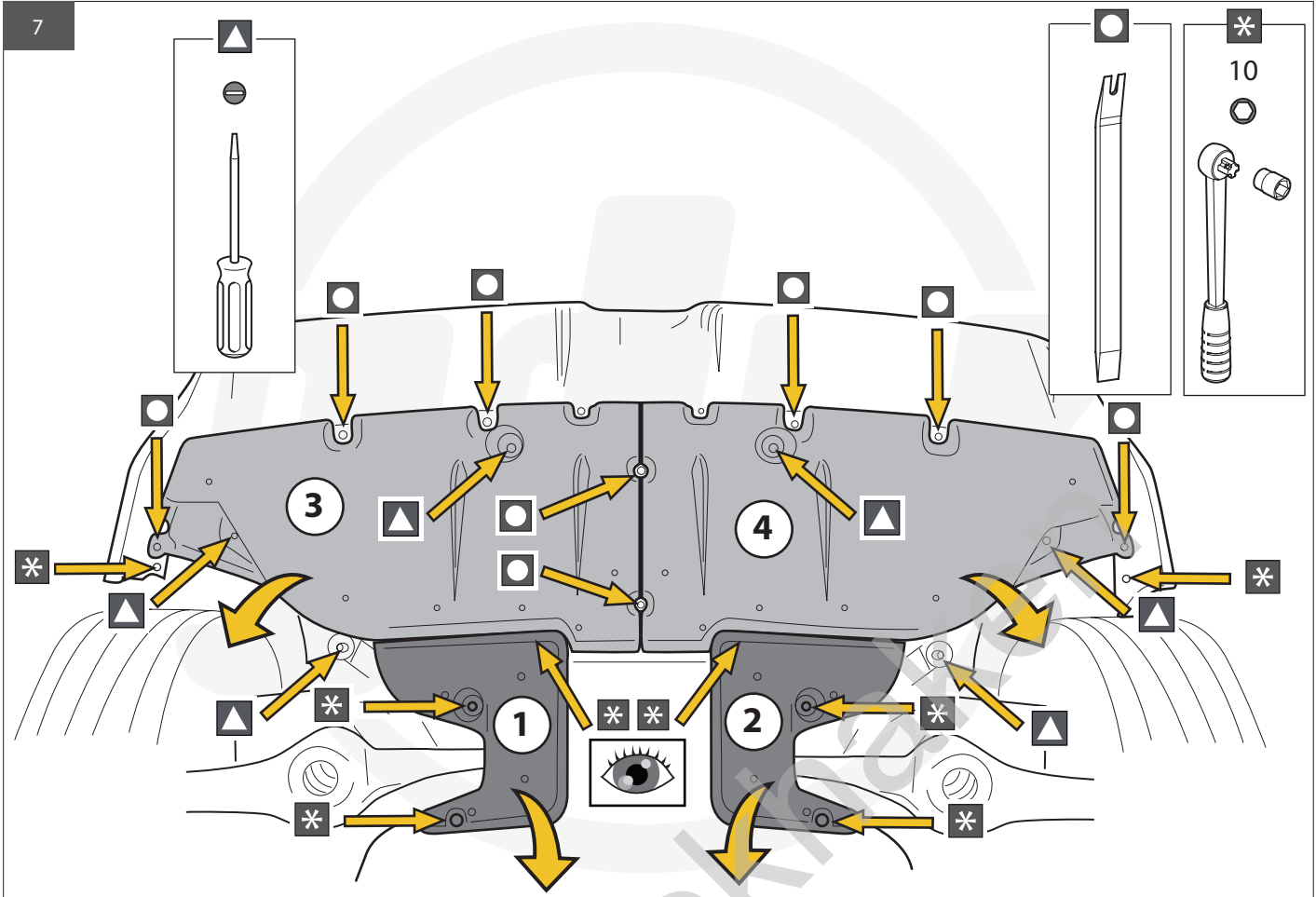


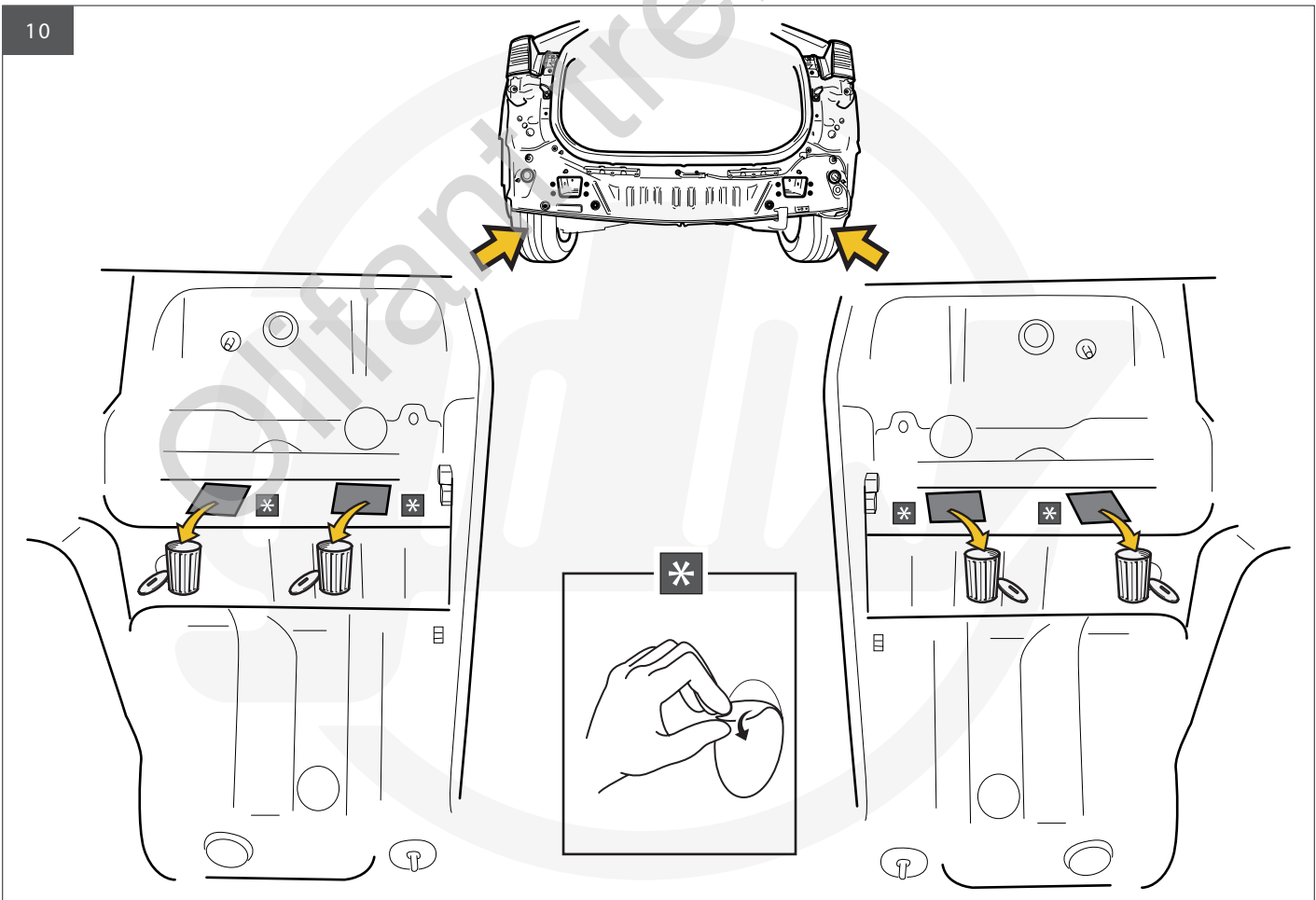
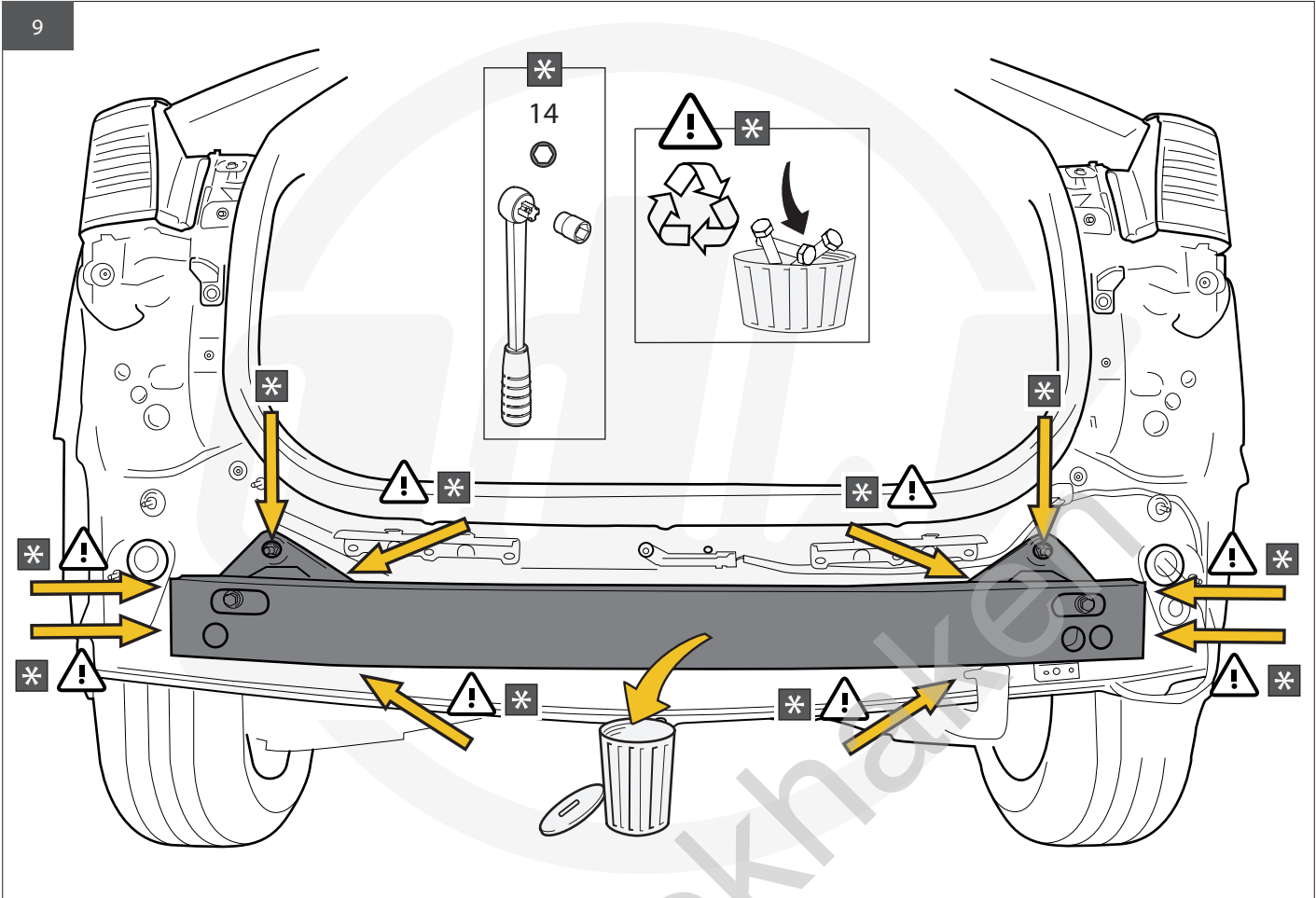
5

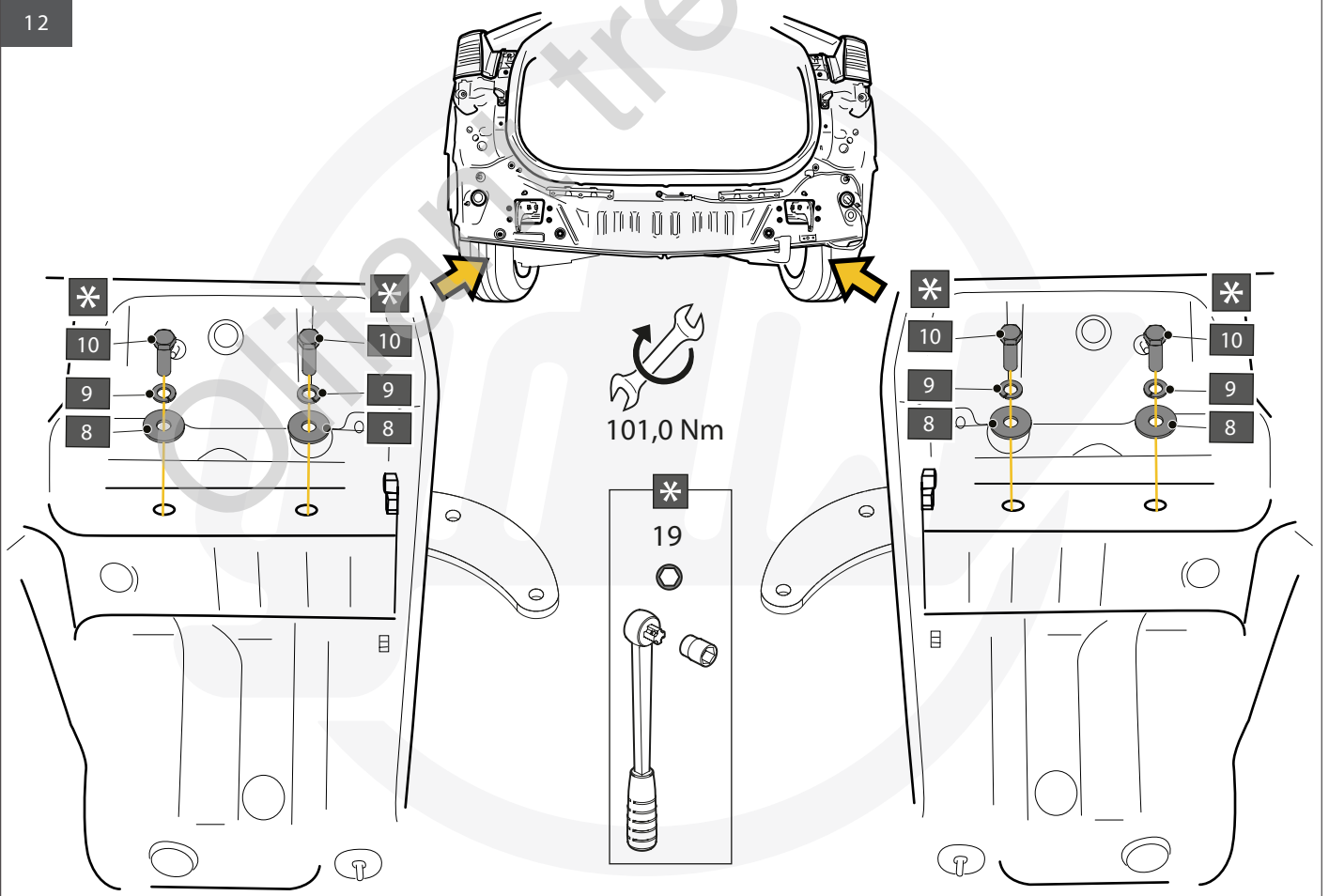
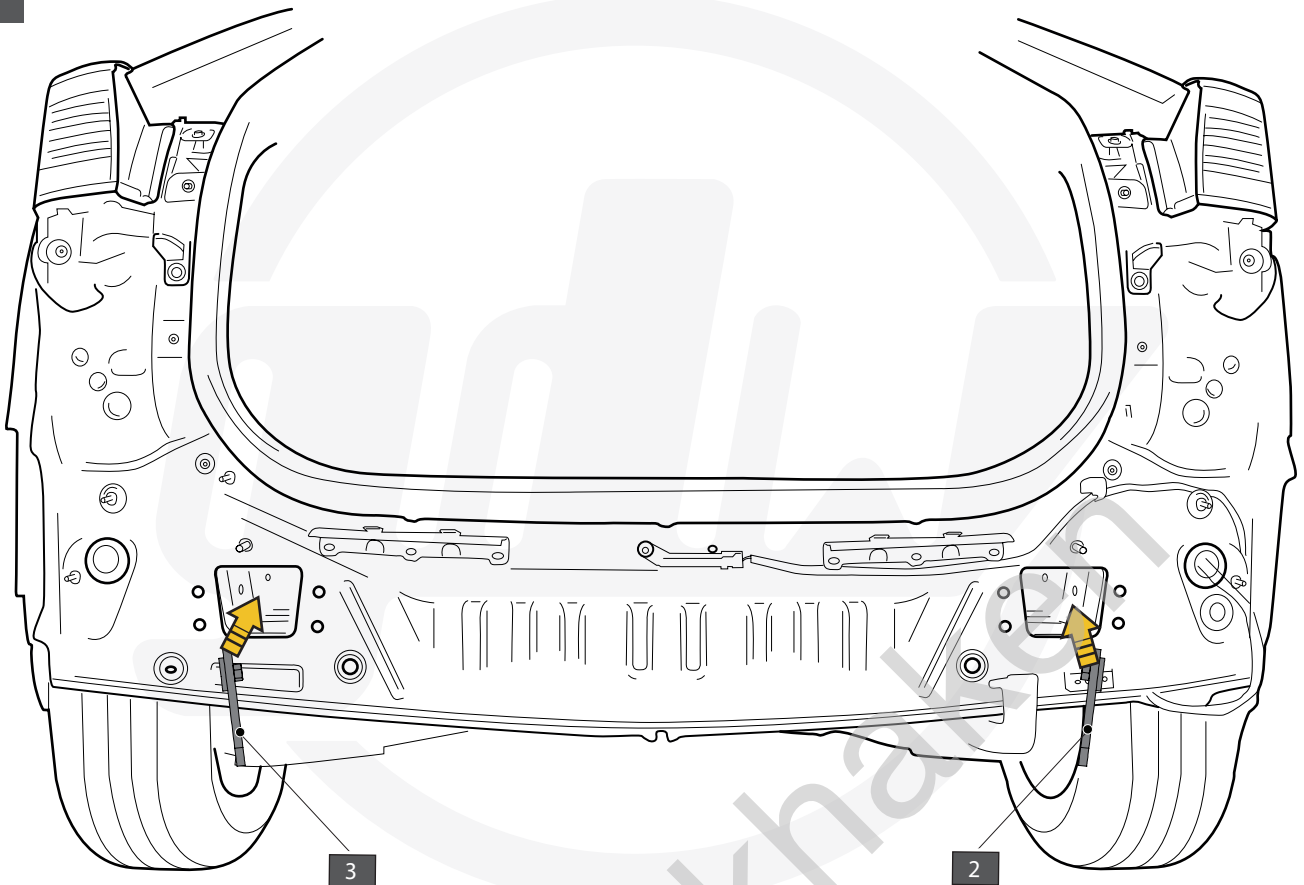


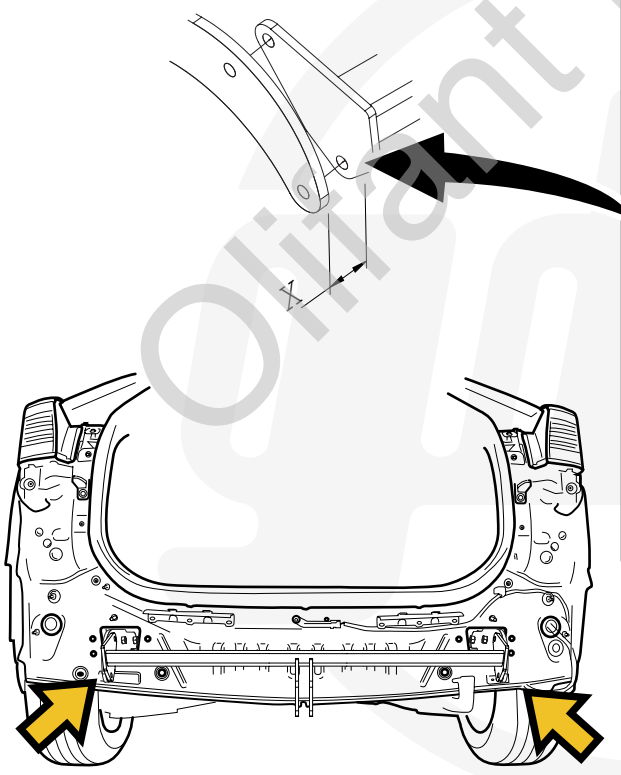
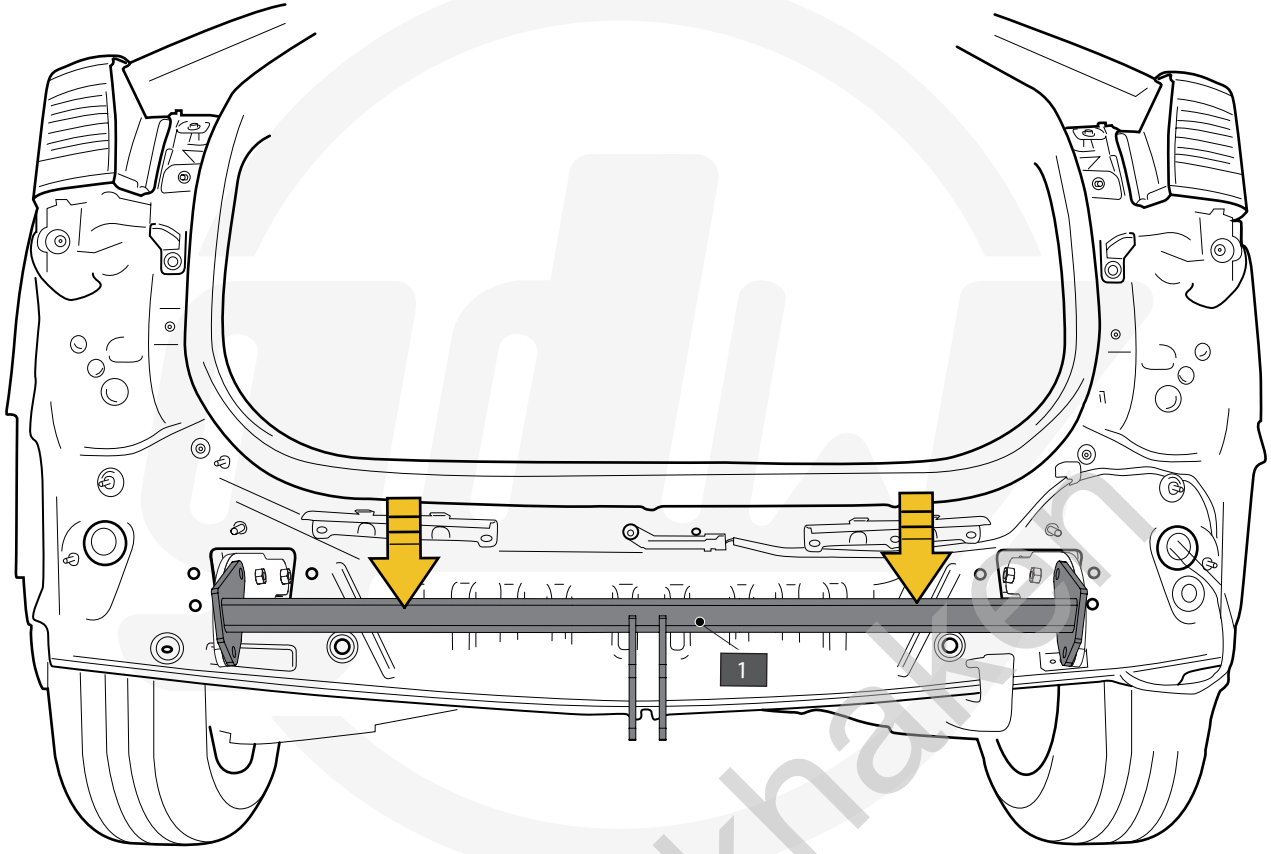
6



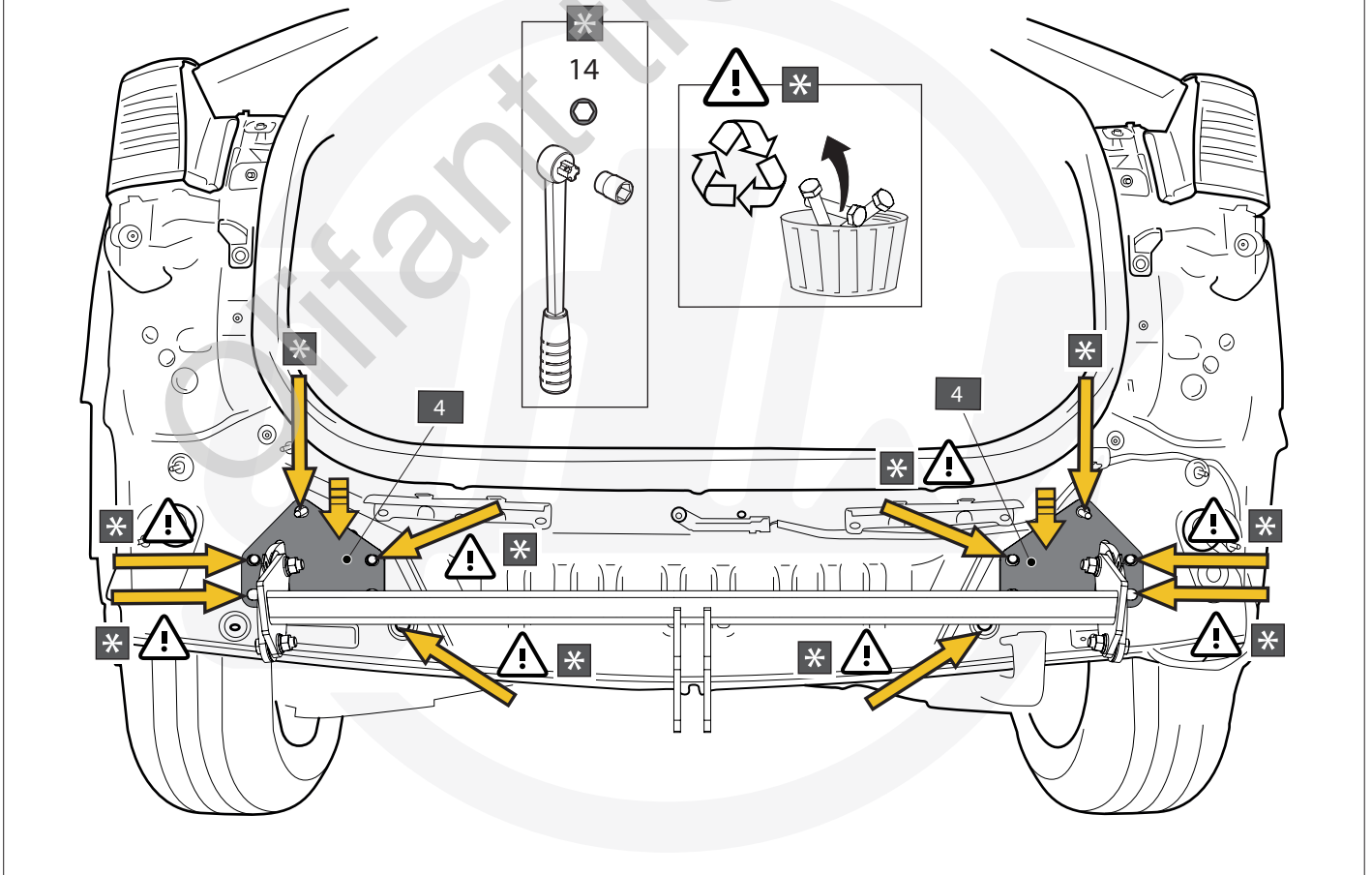
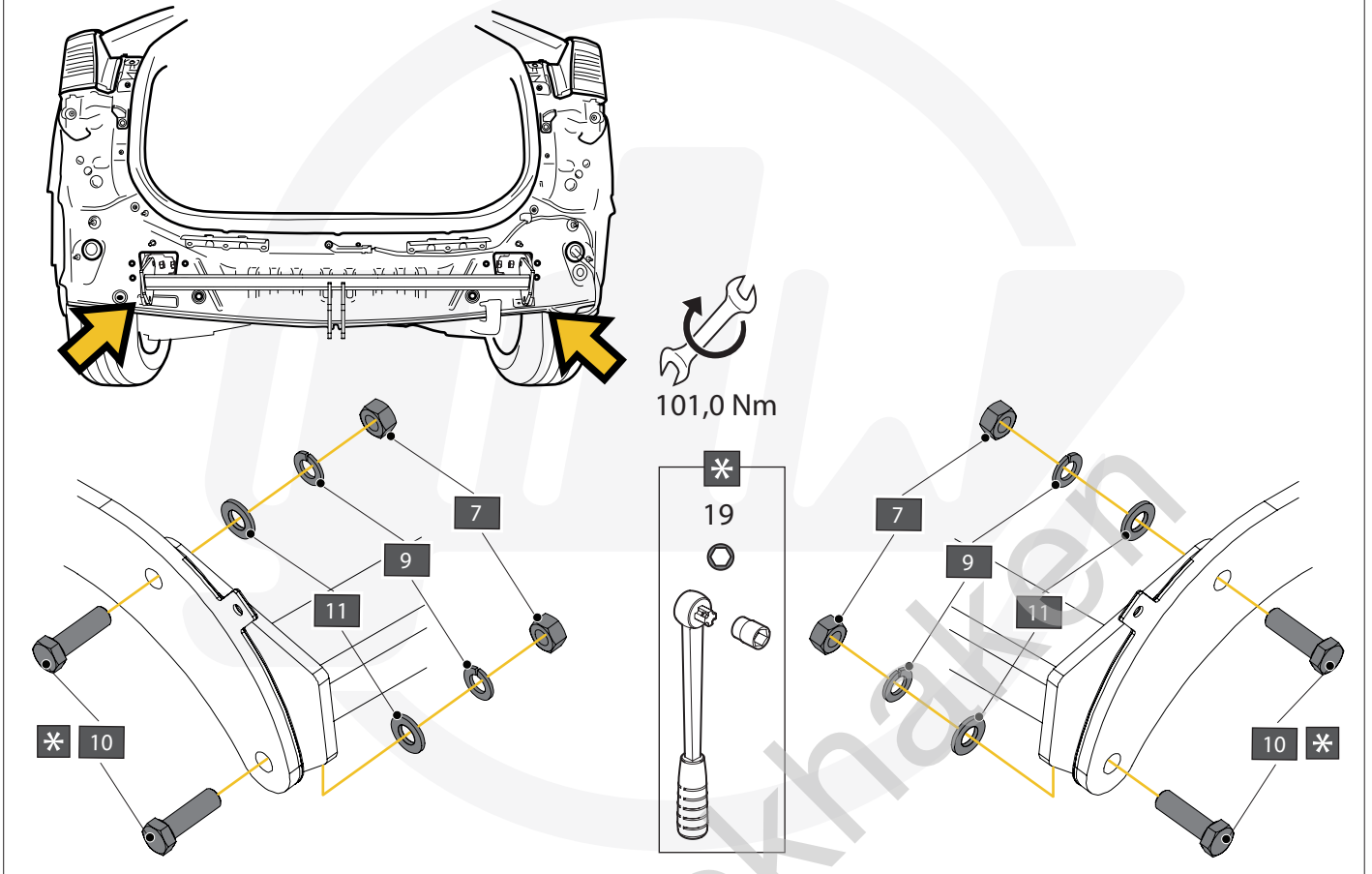


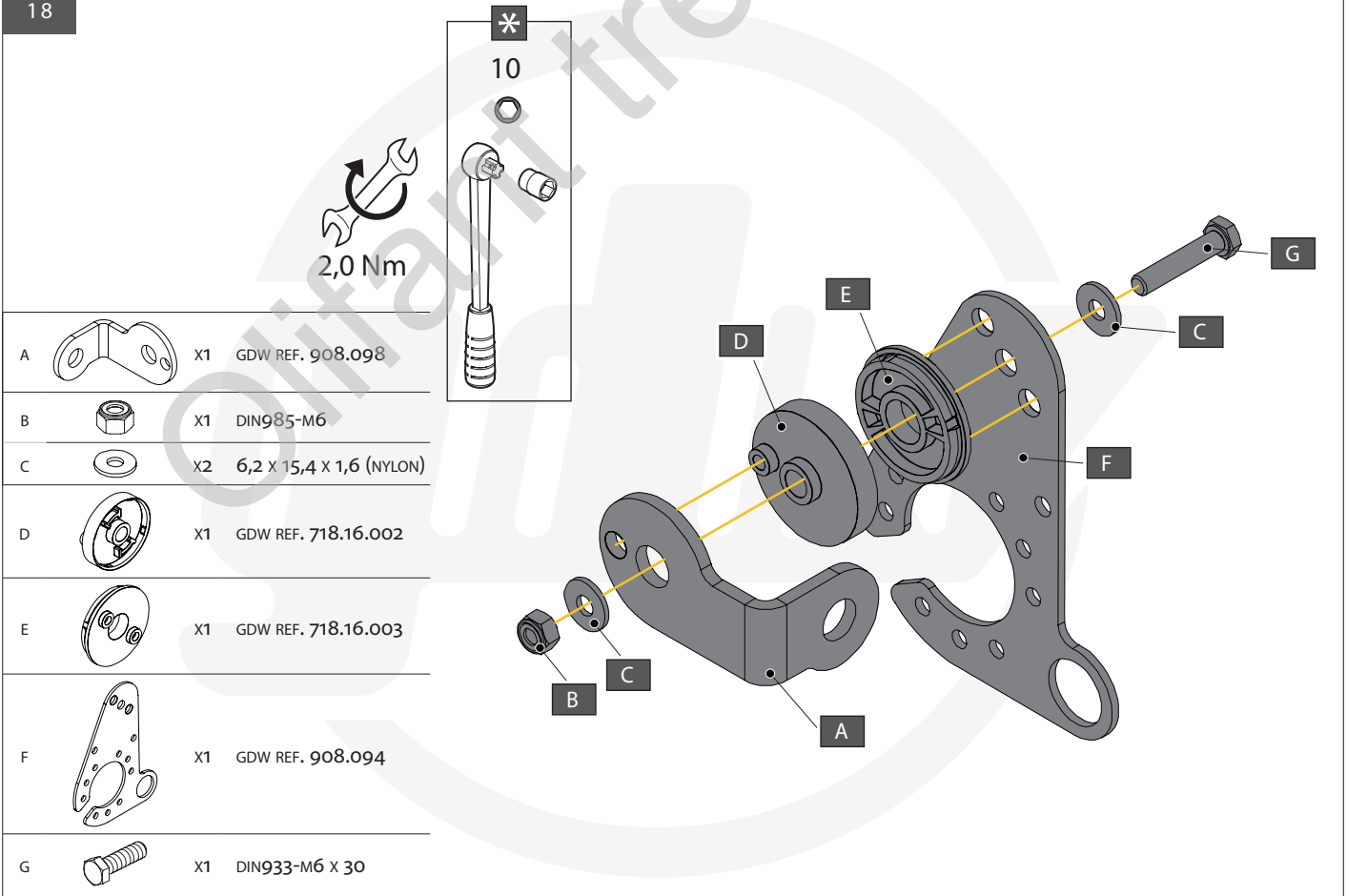
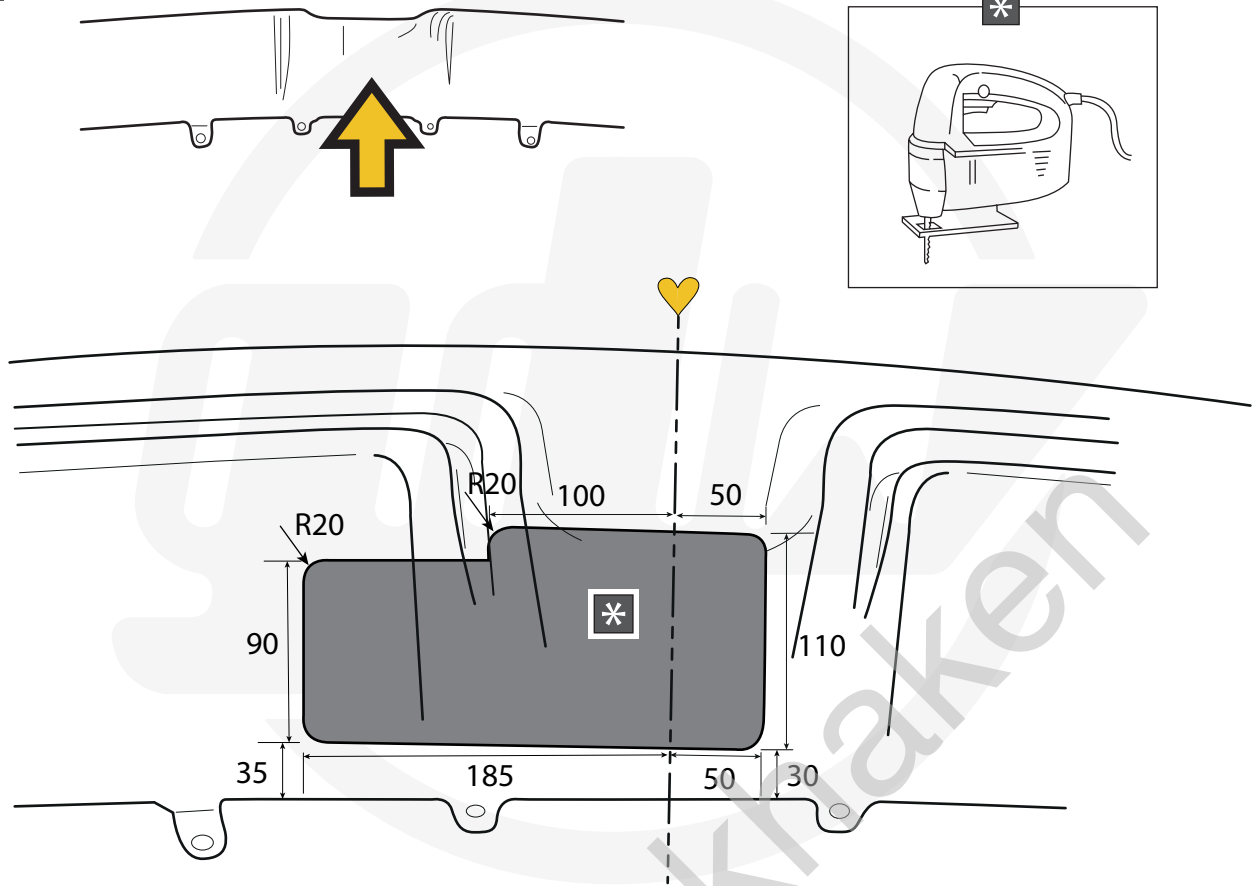


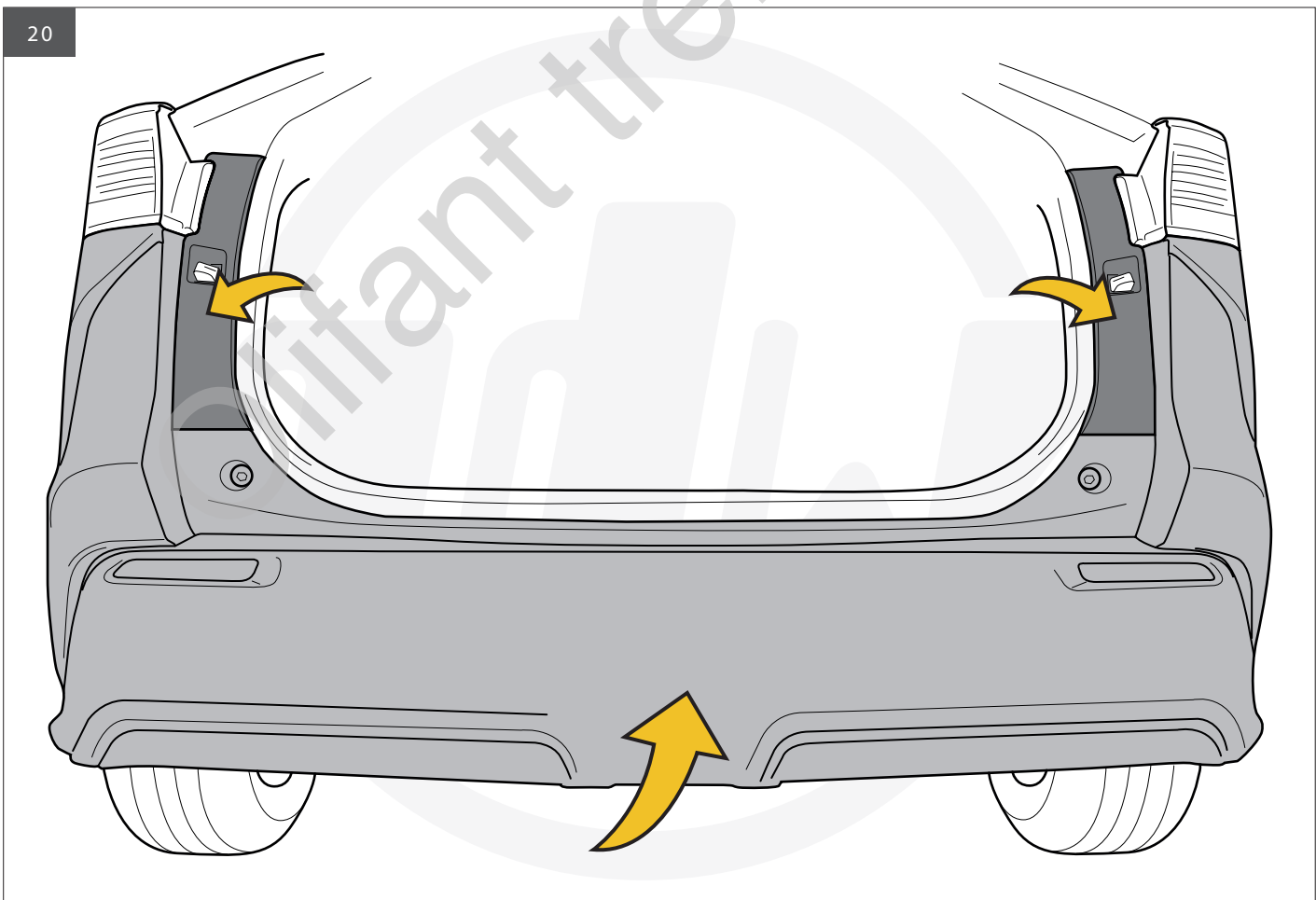
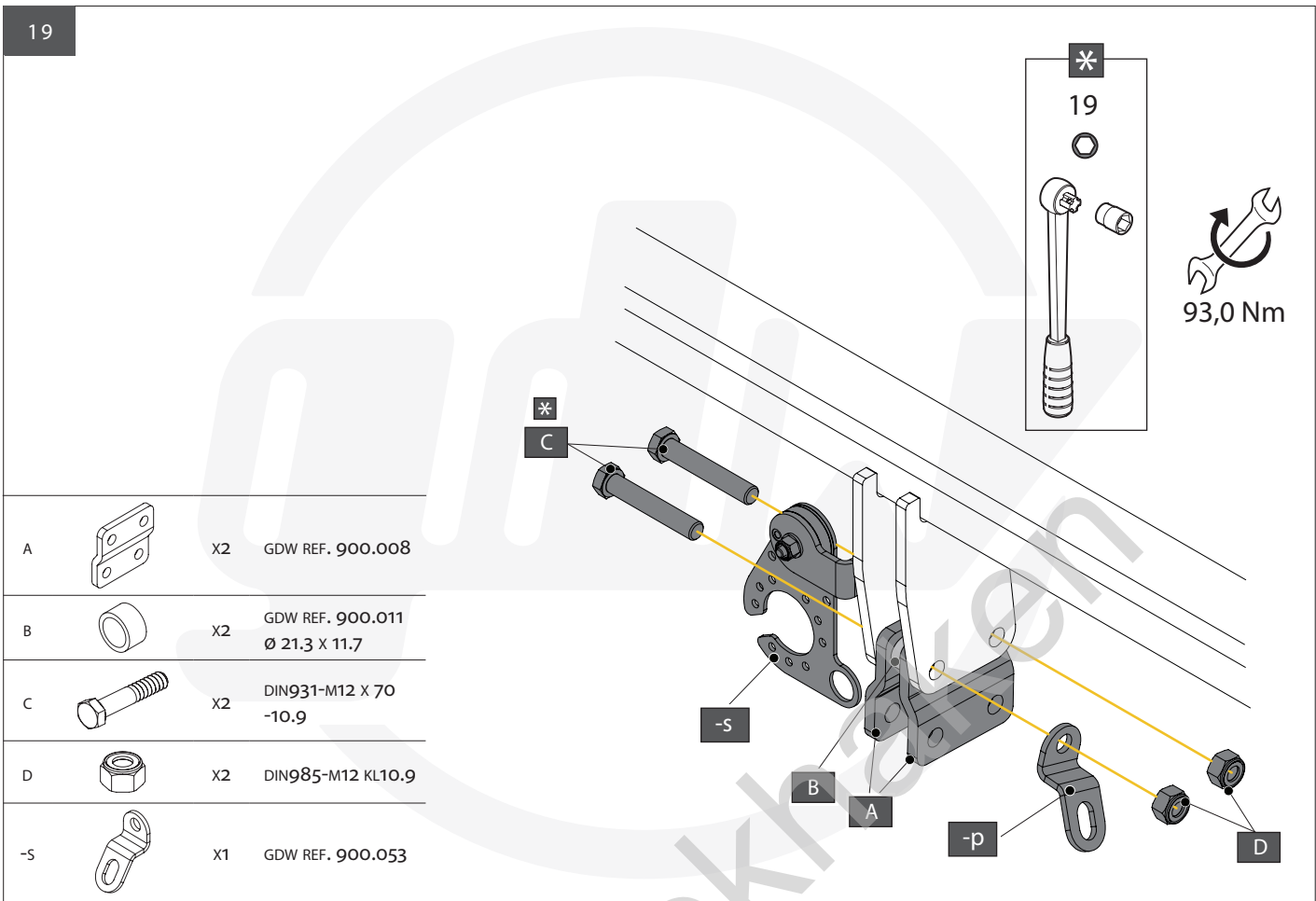


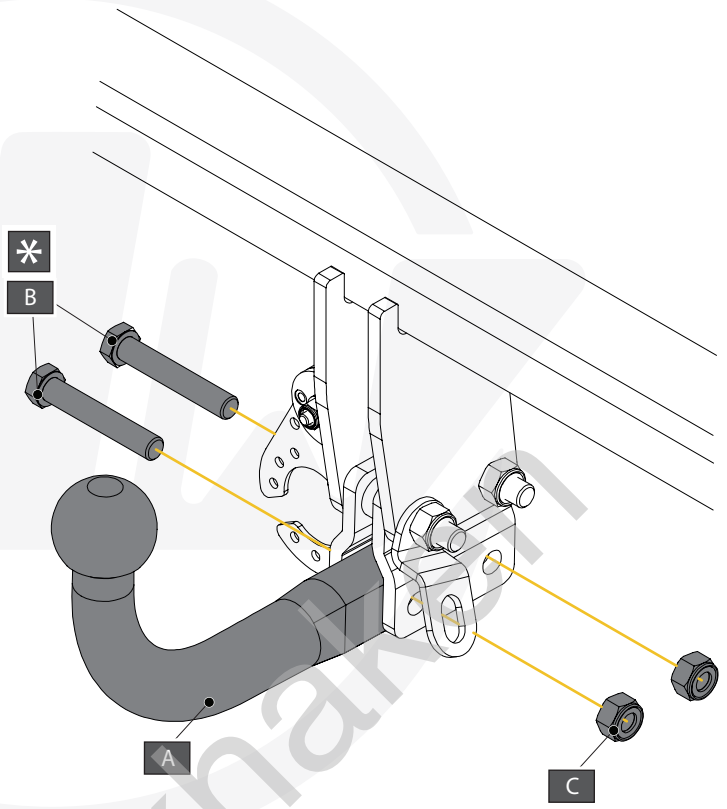
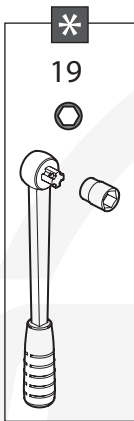


$X < 1 \text{ mm}$	$1 \leq X < 2 \text{ mm}$	$2 \leq X < 3 \text{ mm}$
$3 \leq X < 4 \text{ mm}$	$4 \leq X < 5 \text{ mm}$	$5 \leq X < 6 \text{ mm}$
	$6 \leq X$	



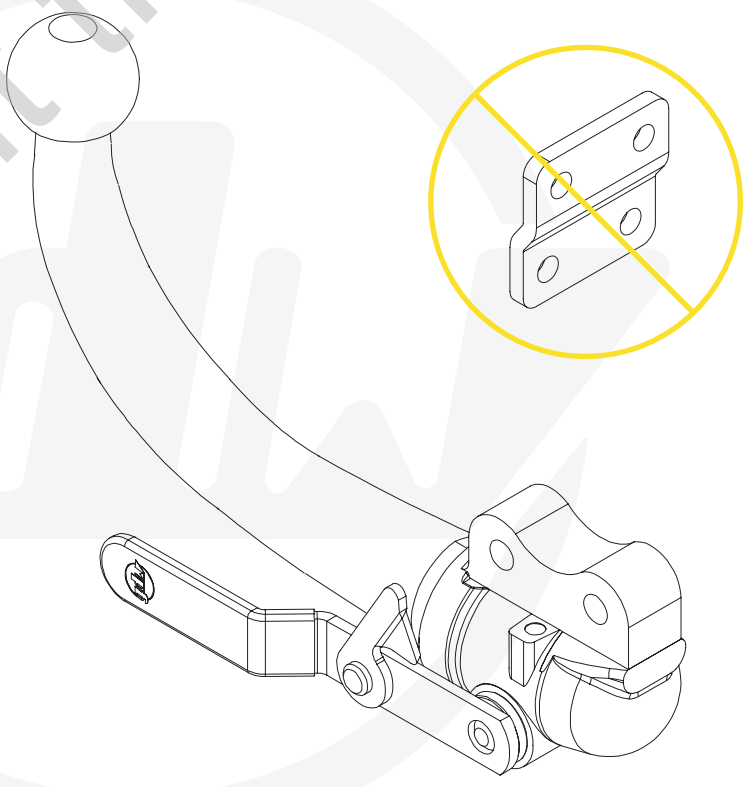






A		X1	943.M006
B		X2	DIN931-M12 X 70
C		X2	DIN985-M12

AFN Opties - Options - Options - Optionen - Opciones - Muligheder



OPTION T36

	X1	KITT36-2745
--	----	-------------