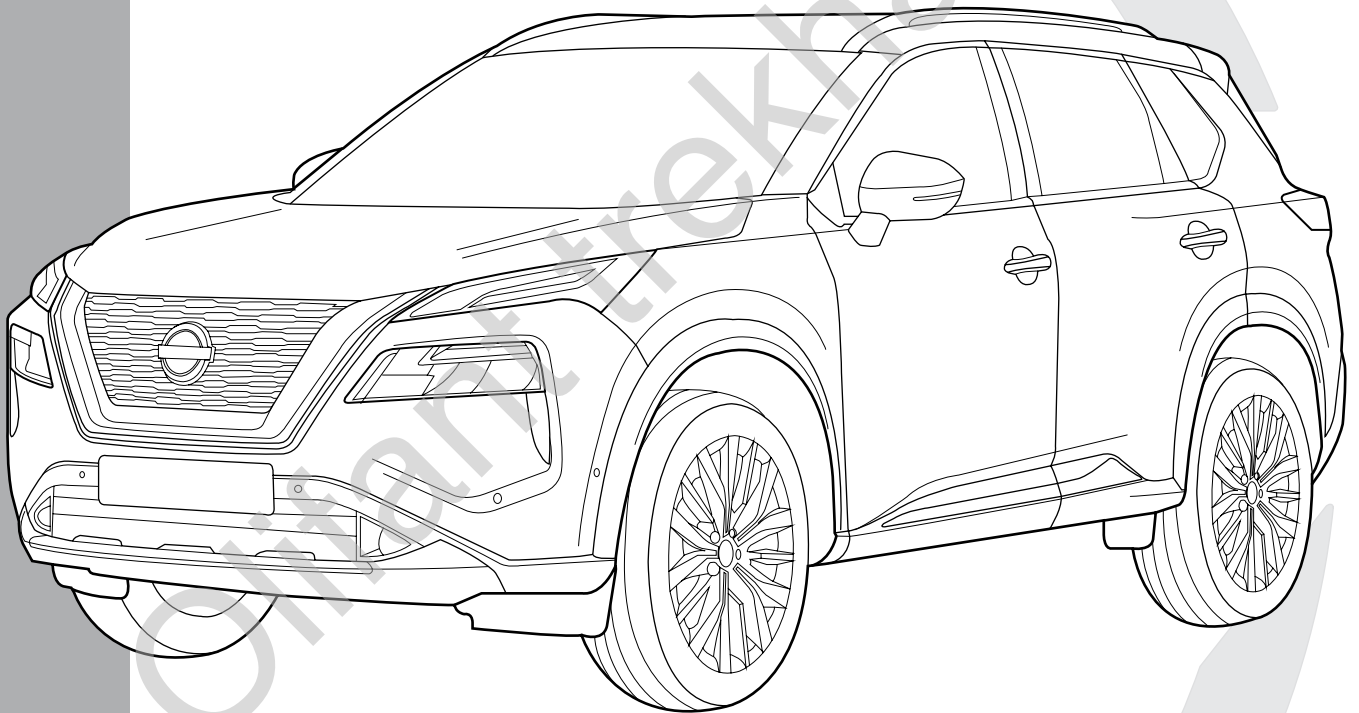
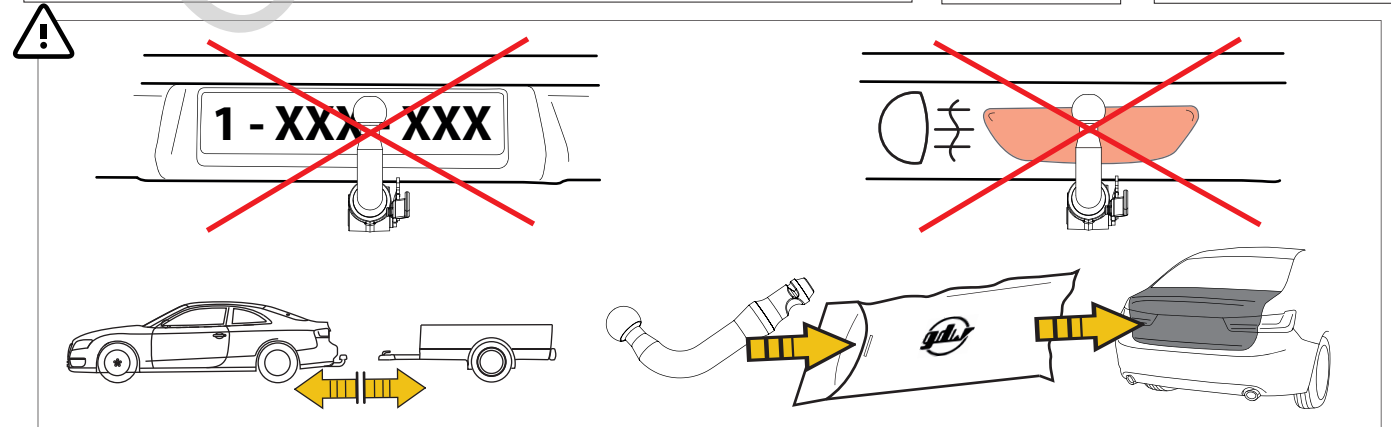
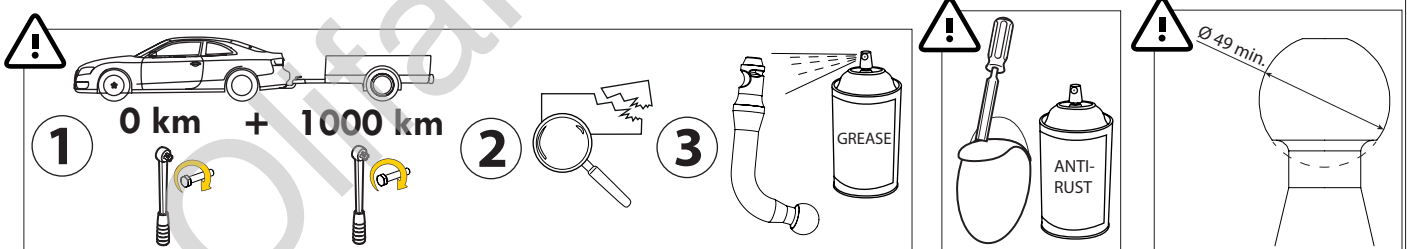
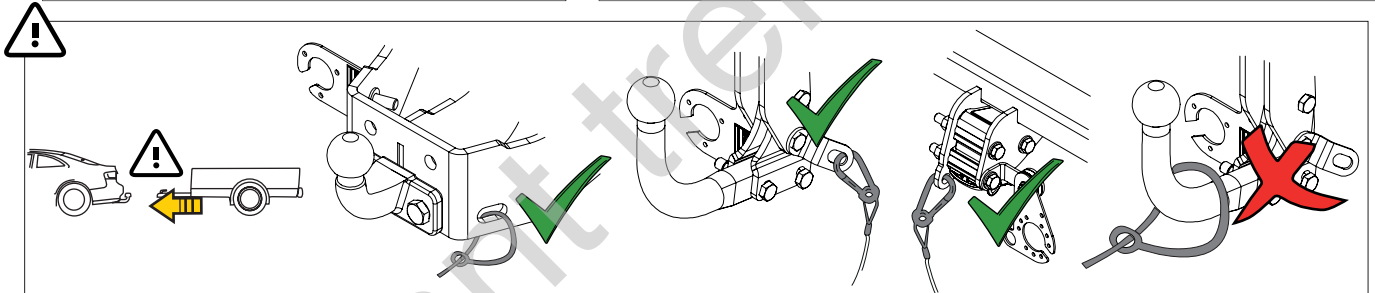
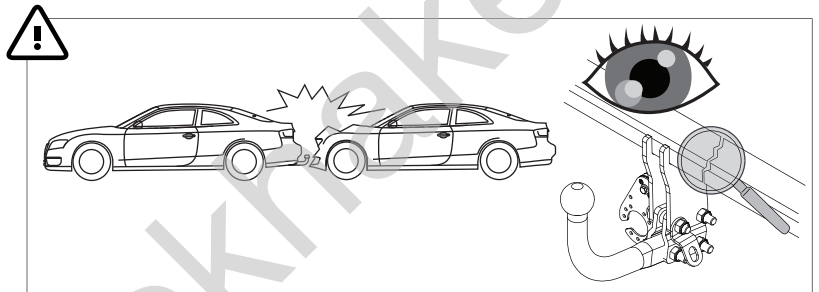
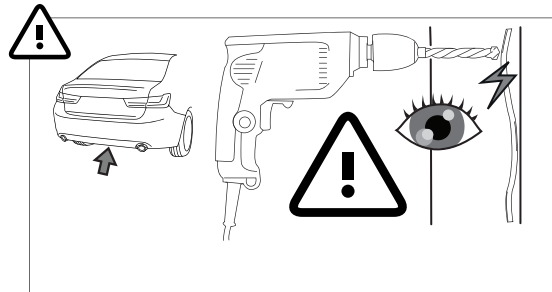
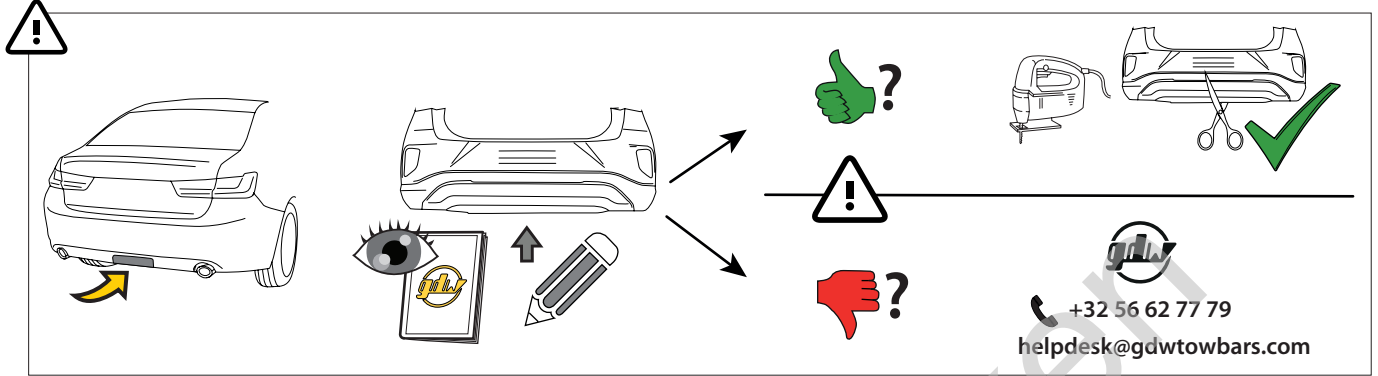
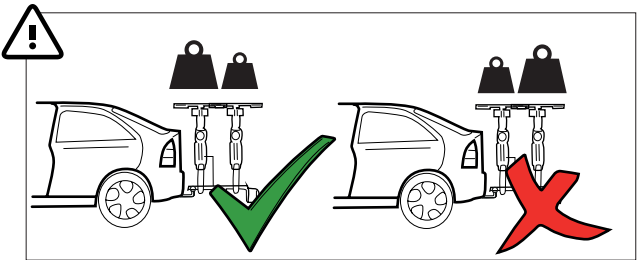
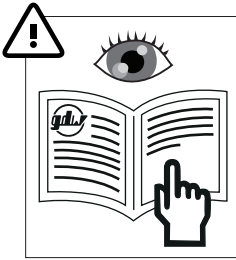
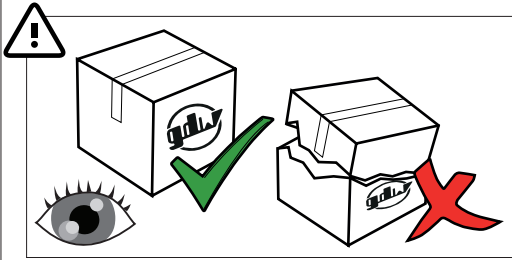




## Nissan X-Trail IV (T33) 09/'22-

- ✓ MILD HYBRID
- ✓ E-POWER 2WD
- ✓ E-POWER 4WD
- ✓ HANDSFREE TAILGATE





MADE BY



**D 11,50**

**F**

**E6**

BELGIUM

**S 120**

EC-N°

55R-02 1770

REF N°

2728

SERIAL N°

XXXX

**DESCRIPTION**

Nissan X-Trail 09/'22-

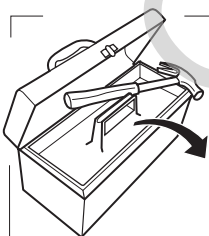
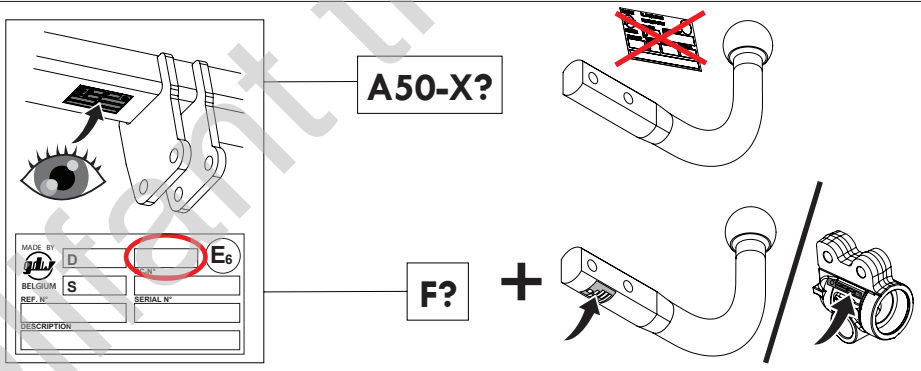
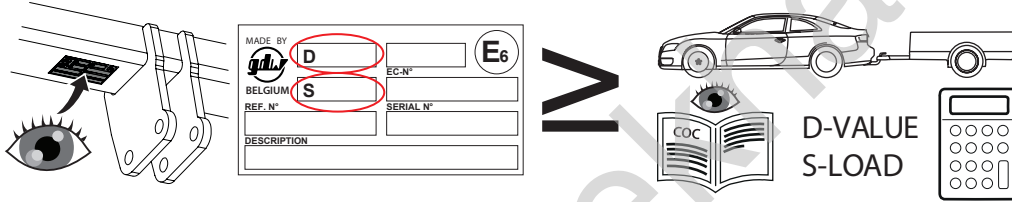
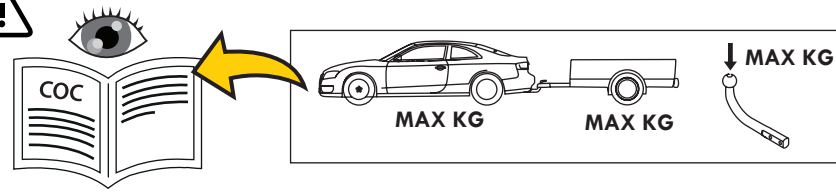


$$D = \frac{\text{max kg (car)} \times \text{max kg (trailer)}}{\text{max kg (car)} + \text{max kg (trailer)}} \times 0.00981 \leq 11,50 \text{ kN}$$

$$S = \begin{matrix} \leq 120 \text{ kg} & + & \leq 2000 \text{ kg} \end{matrix}$$

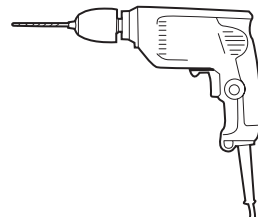
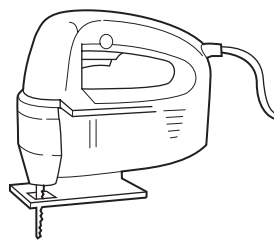
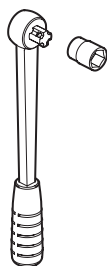
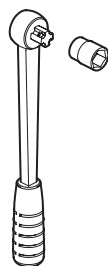


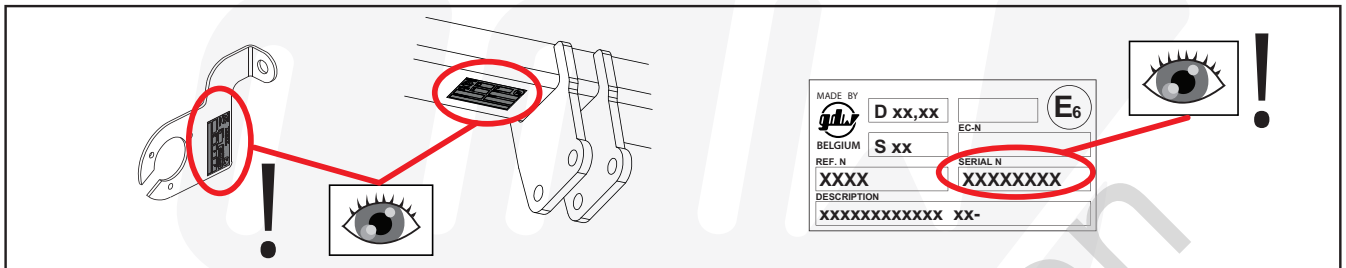
See the Certificate Of Conformity (COC) of your vehicle or contact your dealer to verify the max. trailer weight of your car!



10

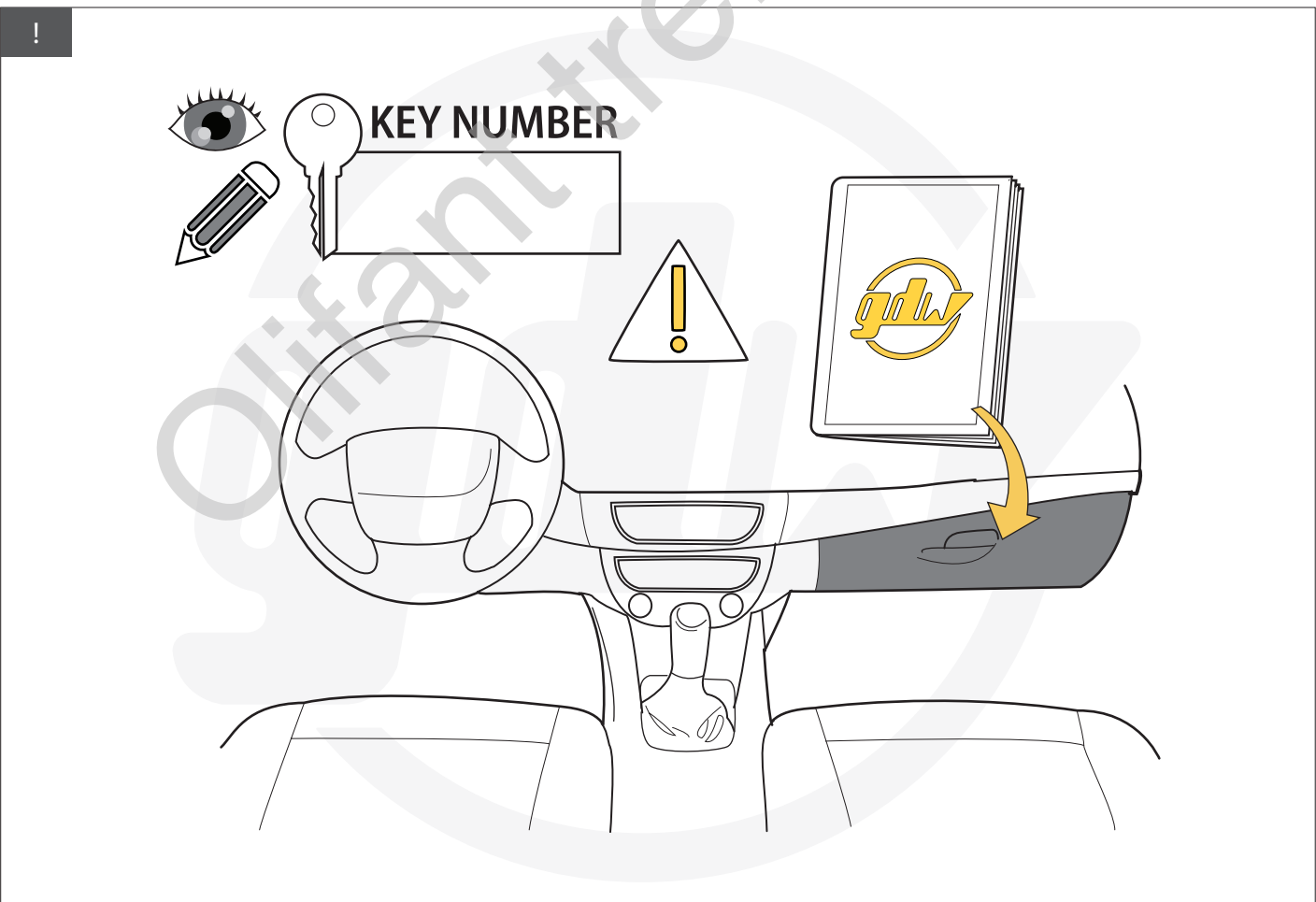
19

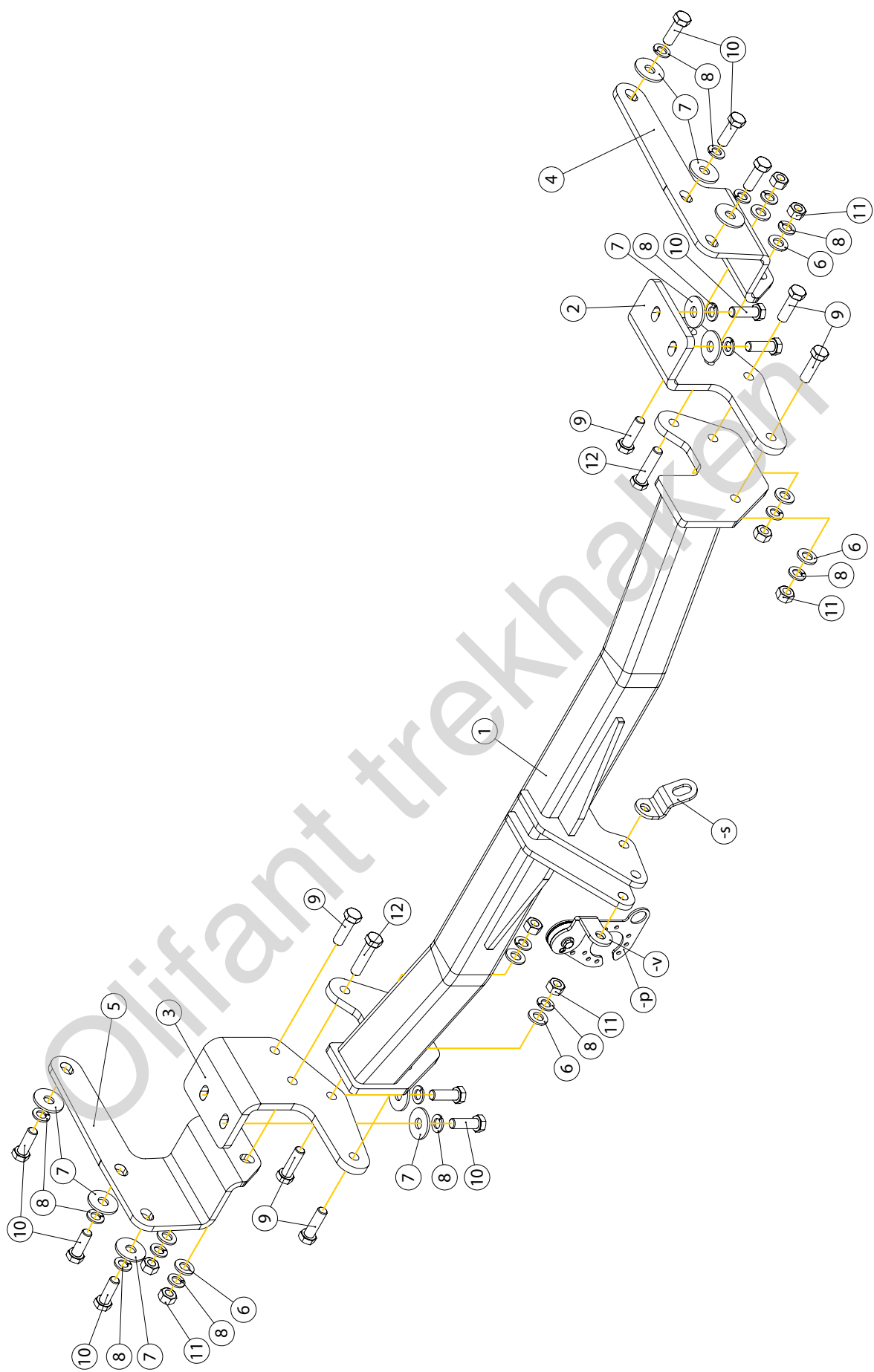


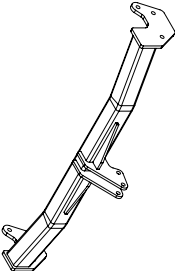
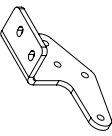
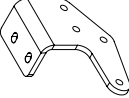
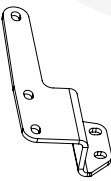

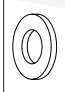
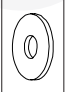
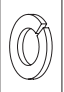




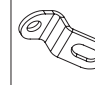


**helpdesk@gdwtowbars.com**  
**+32 56 62 77 79**

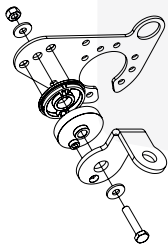

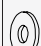


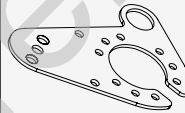


Monday	08:00 - 12:00	12:30 - 16:30
Tuesday	08:00 - 12:00	12:30 - 16:30
Wednesday	08:00 - 12:00	12:30 - 16:30
Thursday	08:00 - 12:00	12:30 - 16:30
Friday	08:00 - 12:00	12:30 - 15:30

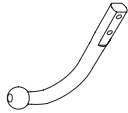
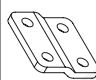

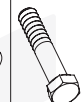





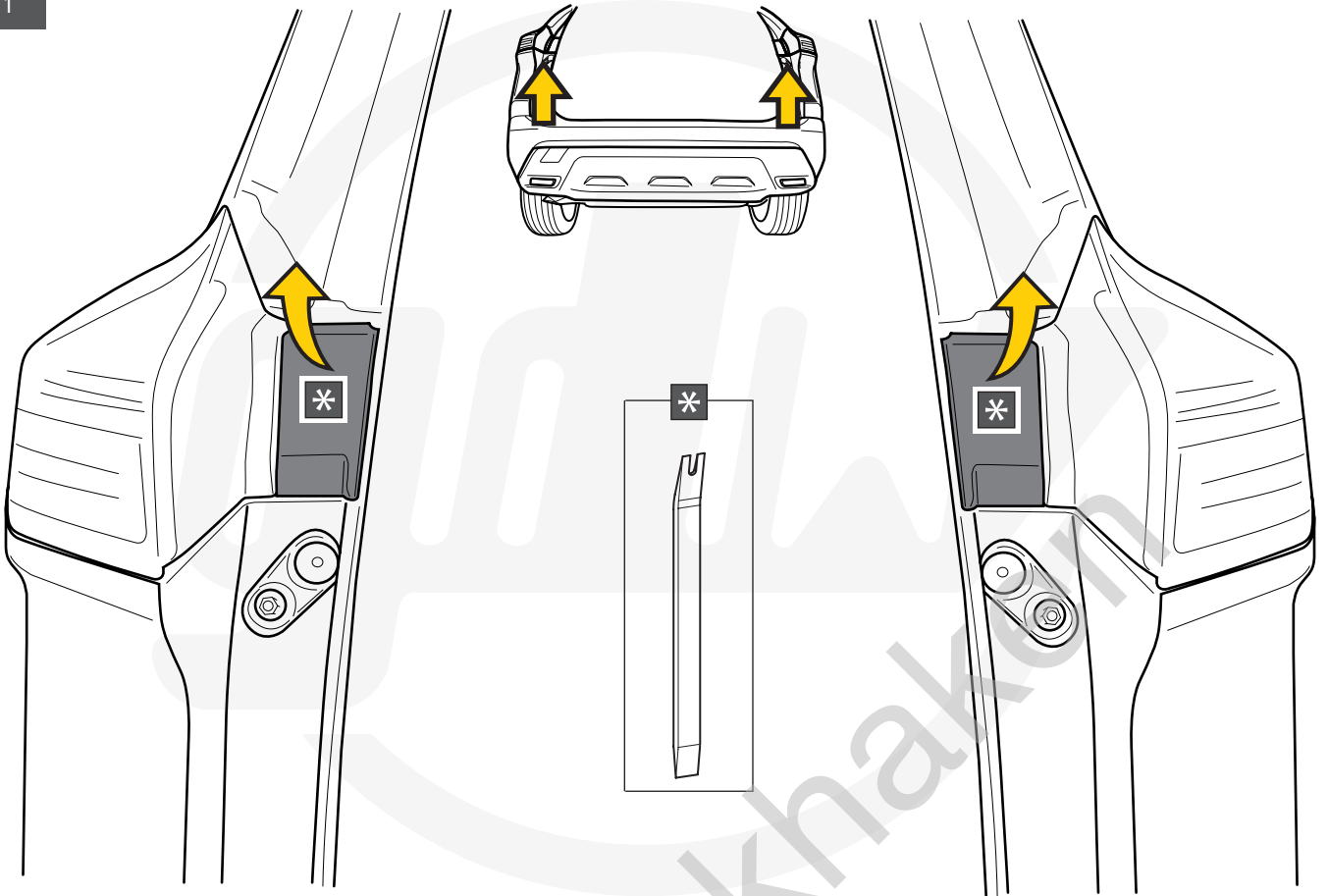
1		X1	GDW REF. 2728
2		X1	GDW REF. 2
3		X1	GDW REF. 3
4		X1	GDW REF. 4
5		X1	GDW REF. 5
6		X8	DIN125-A12-140HV-ELVZ
7		X10	DIN9021-M12-ELVZ
8		X18	DIN128A-M12
9		X6	DIN933-M12X40
10		X10	DIN961T-M12X35X1.25
11		X8	DIN934-M12
12		X2	DIN933-M12X50
-5		X1	GDW REF. 900.053

*		X3	GDW REF. 718.00.160025
---	---	----	------------------------

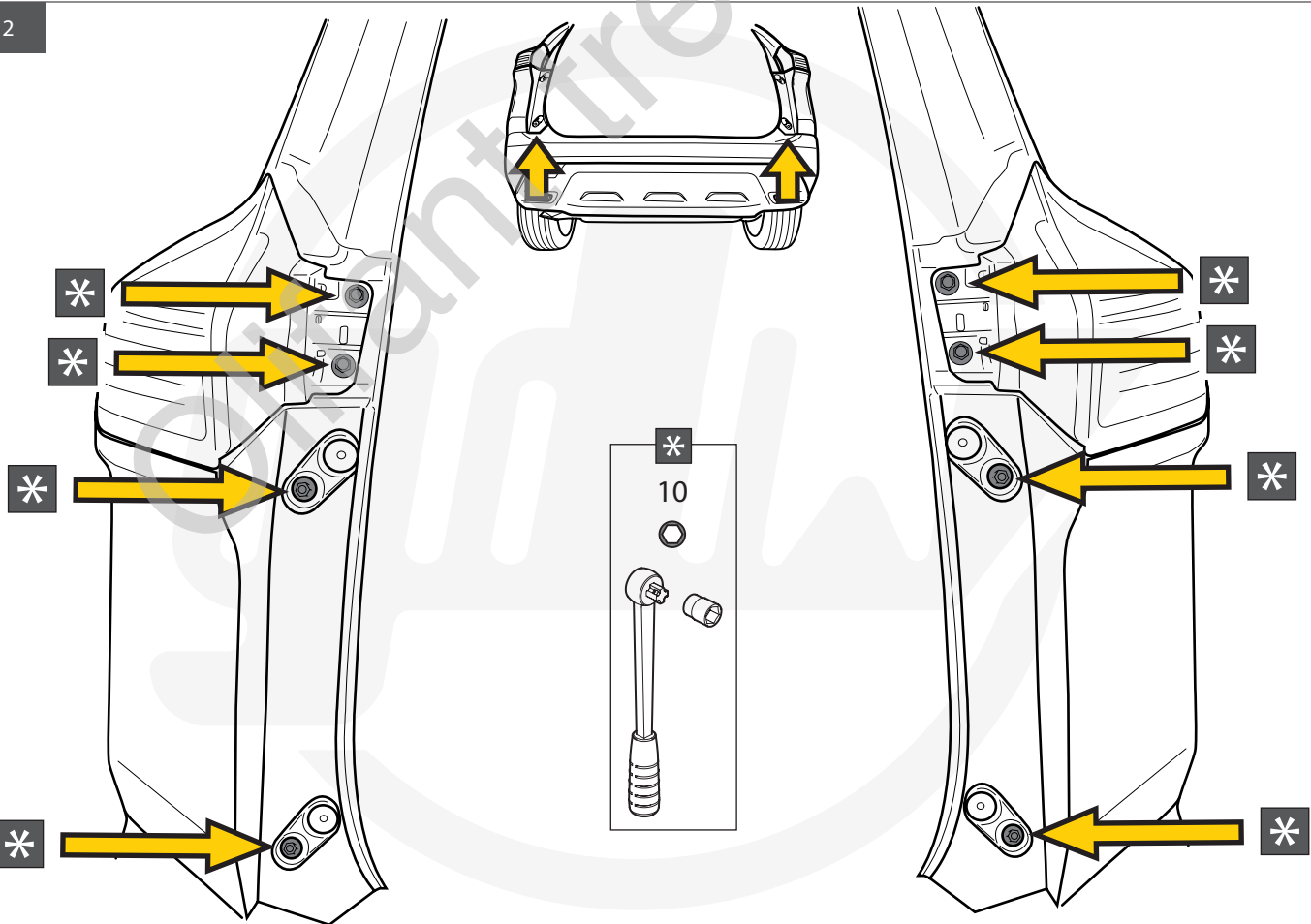
-P		X1	GDW REF. P39
┆		X1	DIN985-M6
┆		X2	6,2 X 15,4 X 1,6 (NYLON)
┆		X1	GDW REF. 718.16.002
┆		X1	GDW REF. 718.16.003
┆		X1	GDW REF. 908.094
┆		X1	DIN933-M6 X 30
┆		X1	GDW REF. 908.095

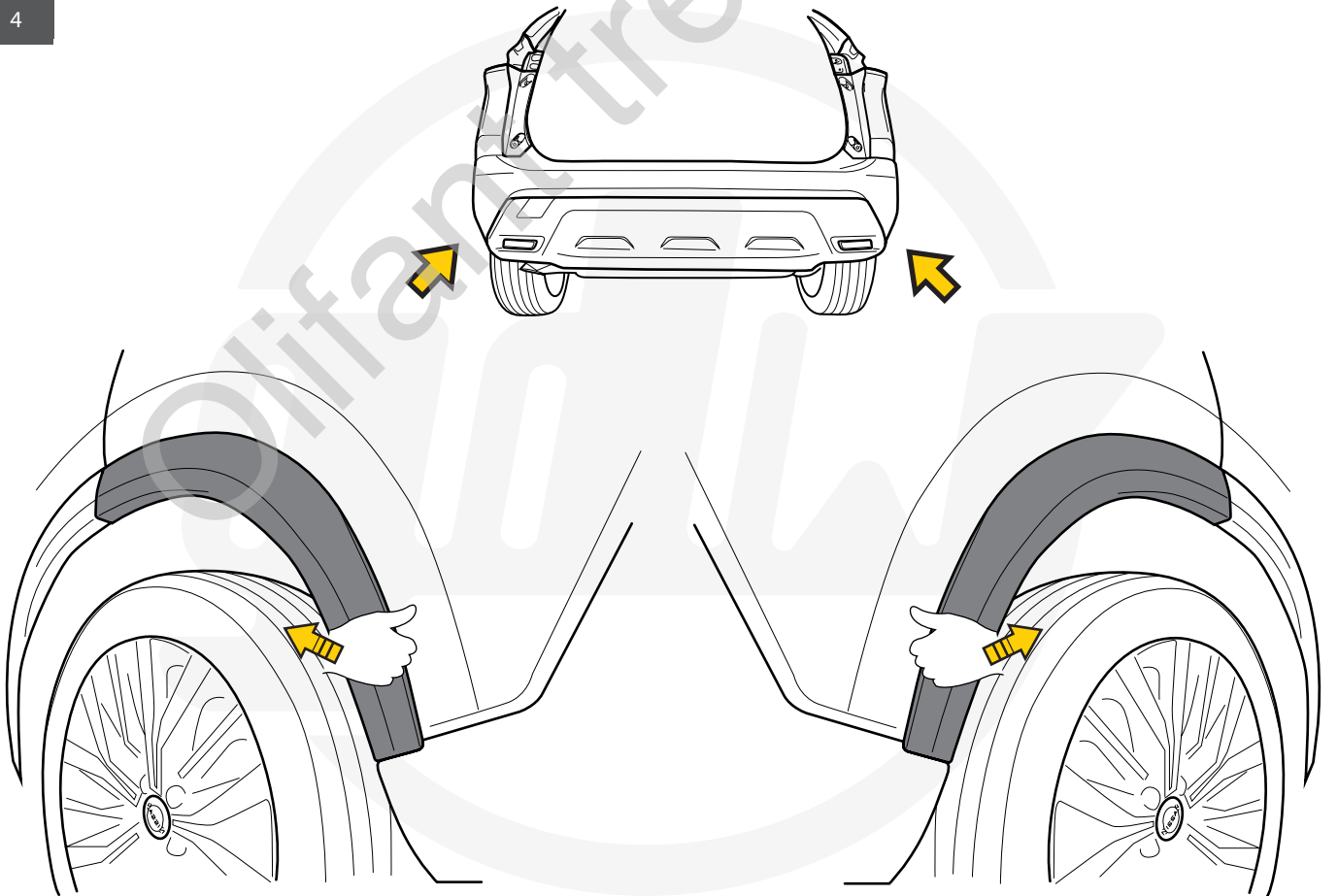
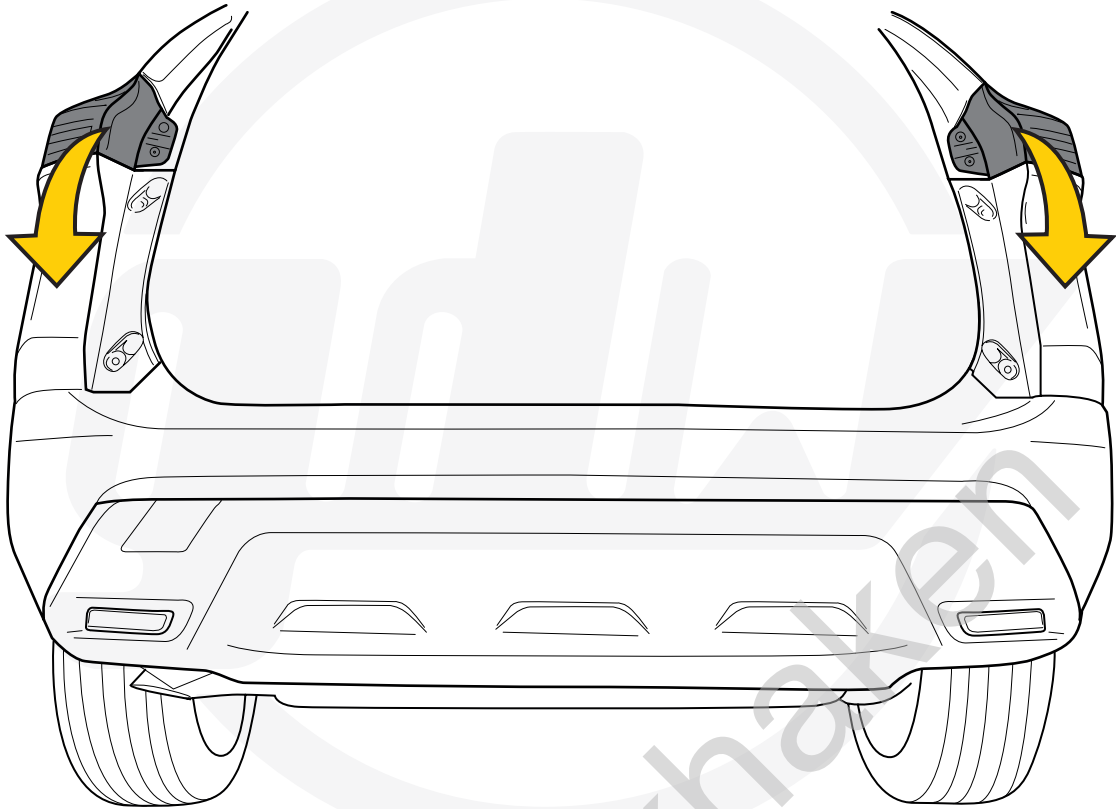
Geleverd met - Livré avec - Delivered with Geliefert mit - Elementos adjuntos-Leveres med		
	X1	944.K007
	X2	GDW REF. 900.008
	X2	GDW REF. 900.011 Ø 21,3 X 11,7
	X4	DIN931-M12 X 70
	X4	DIN985-M12

1

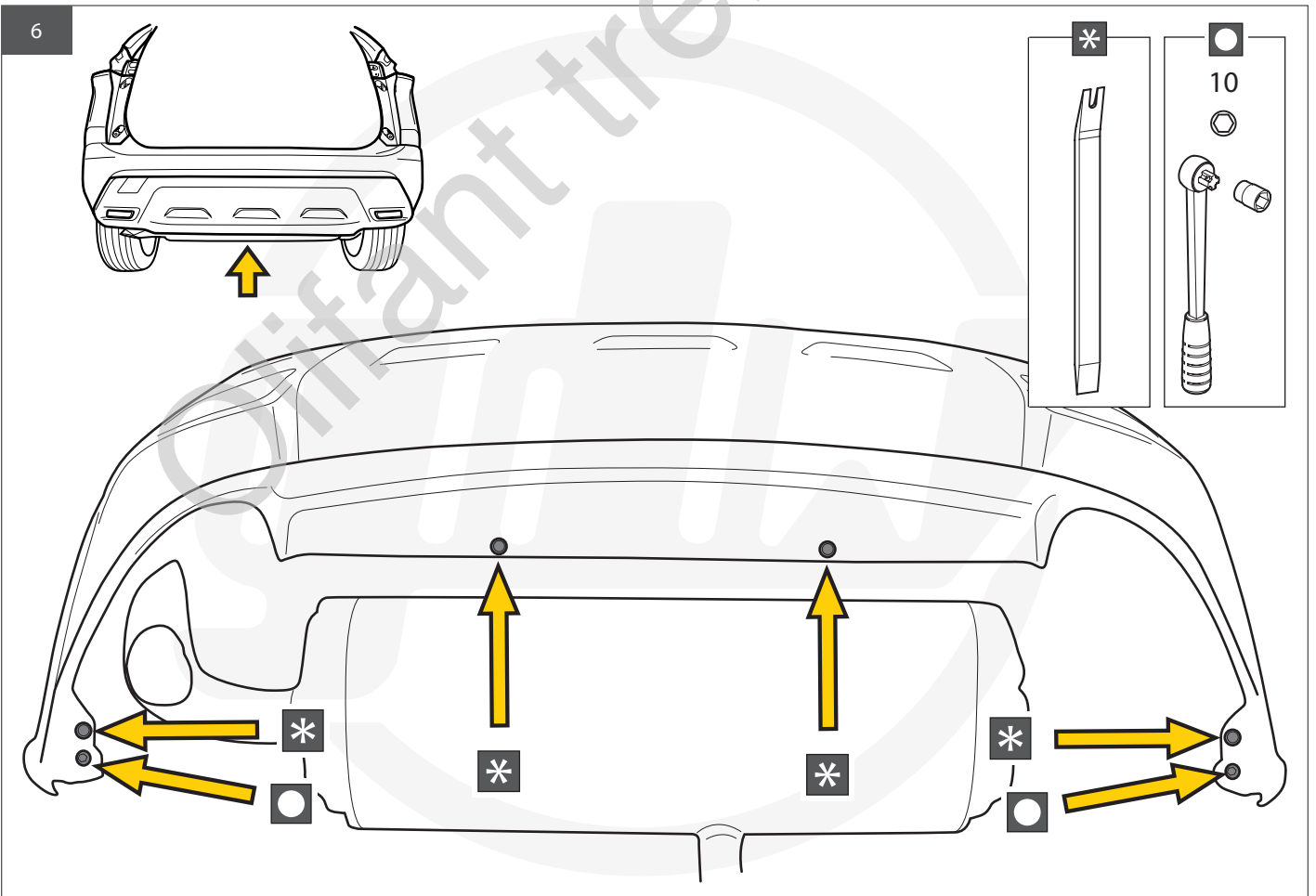
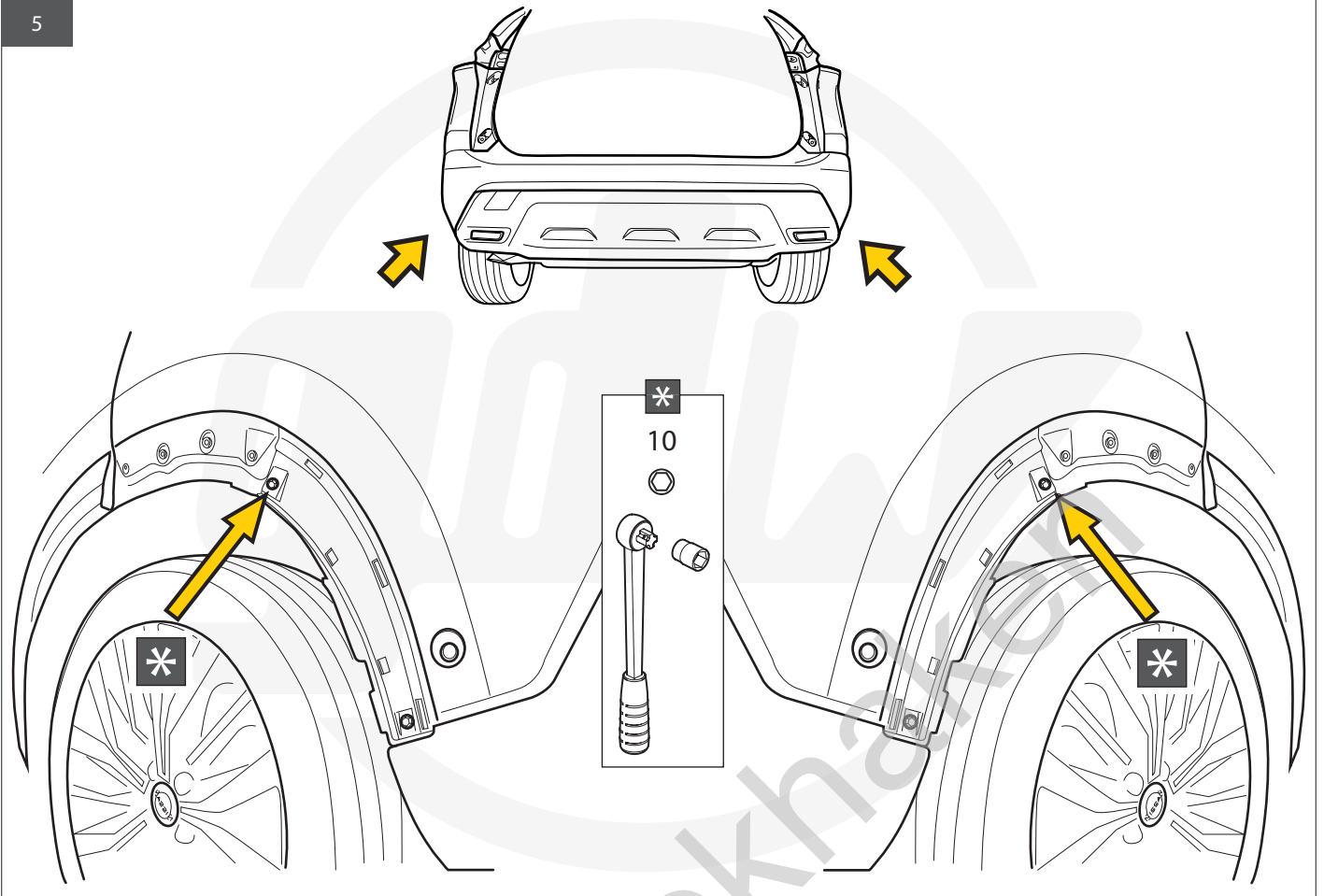


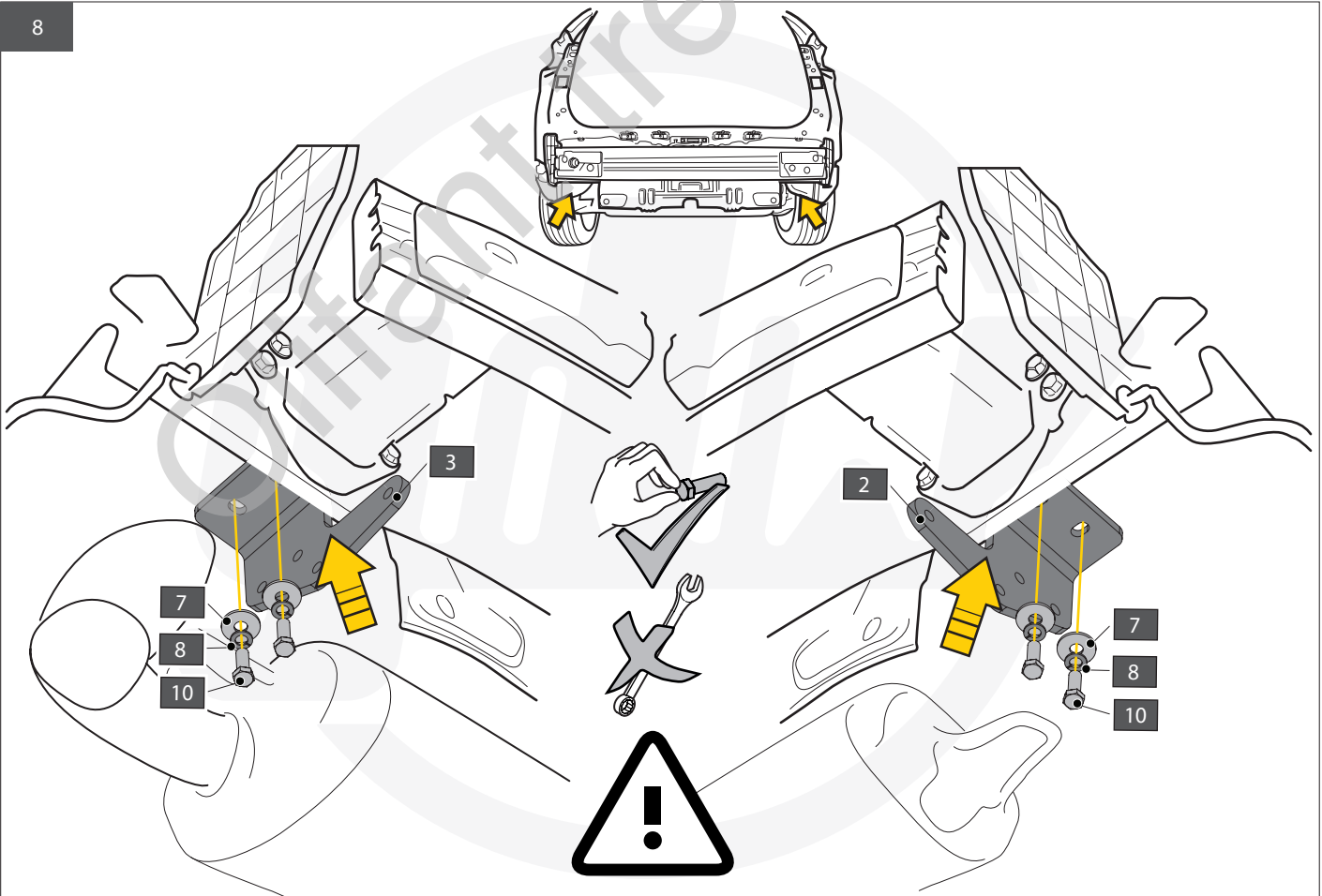
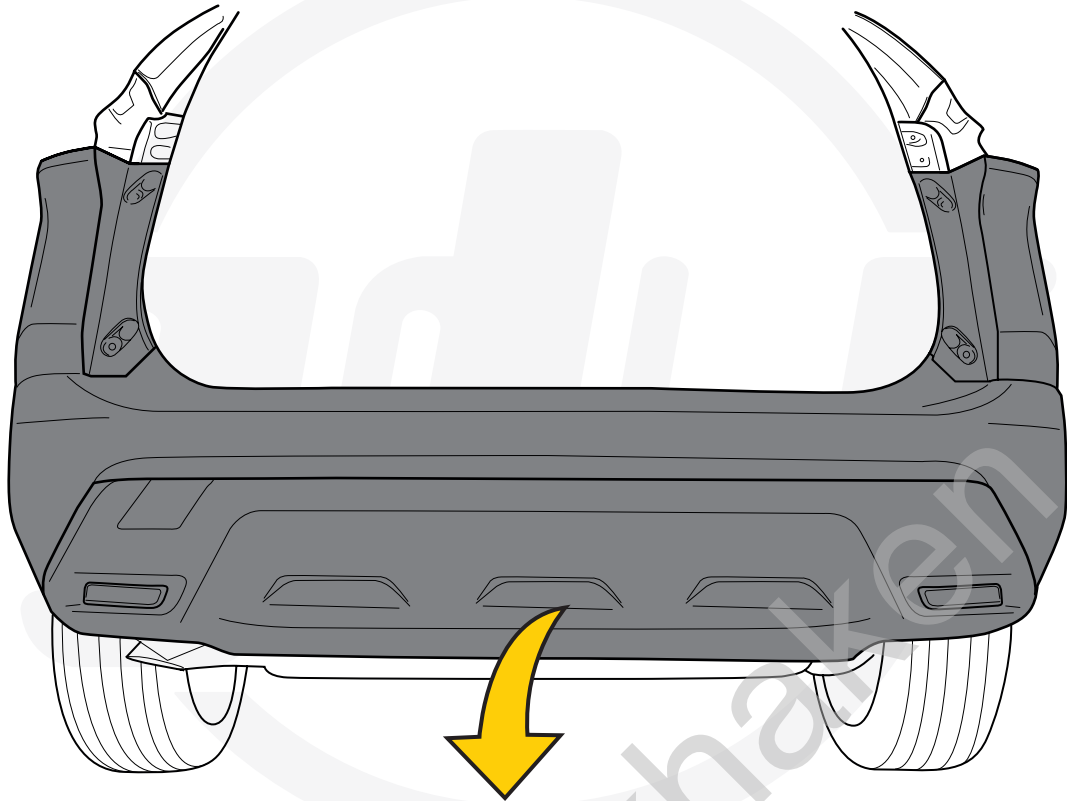
2

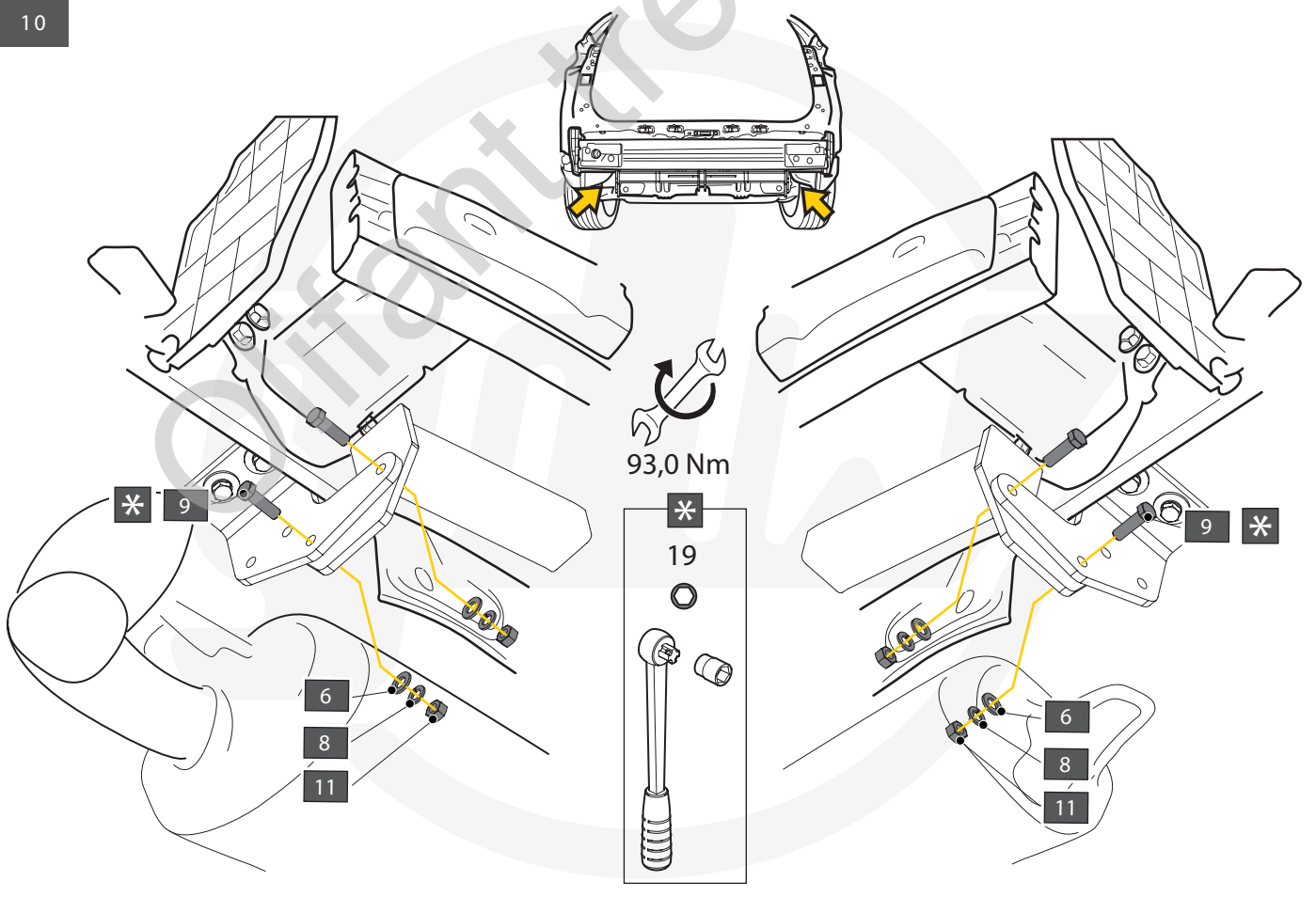
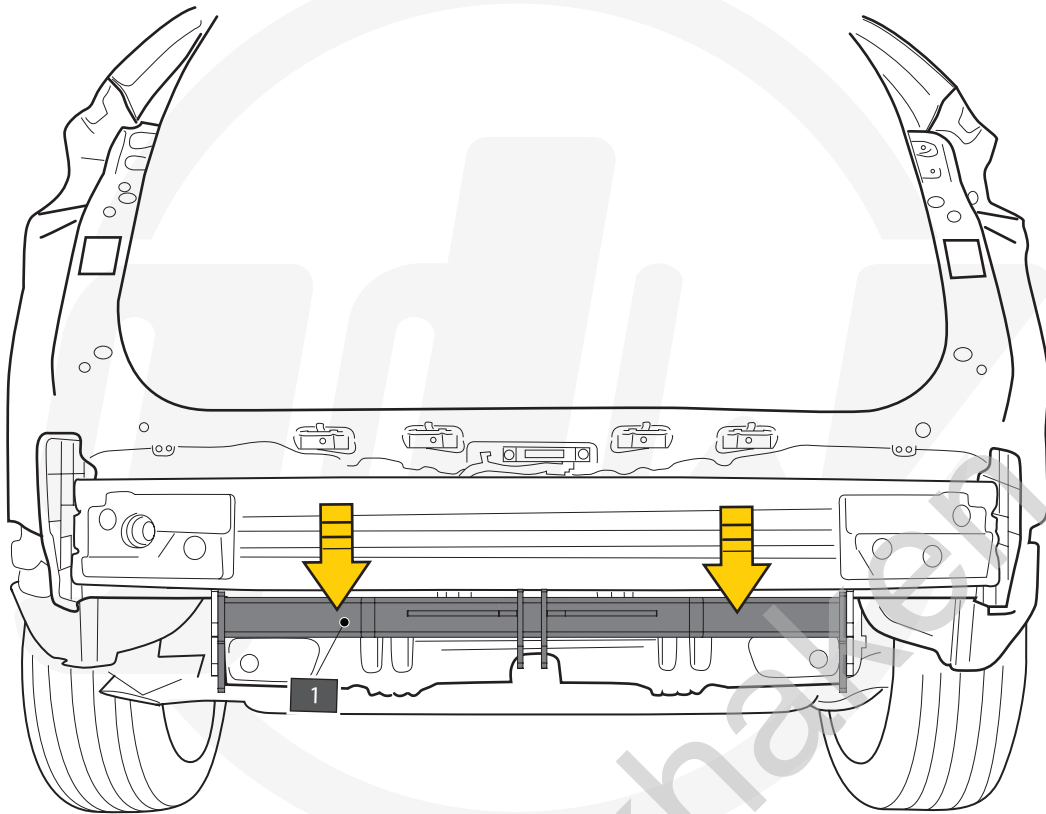


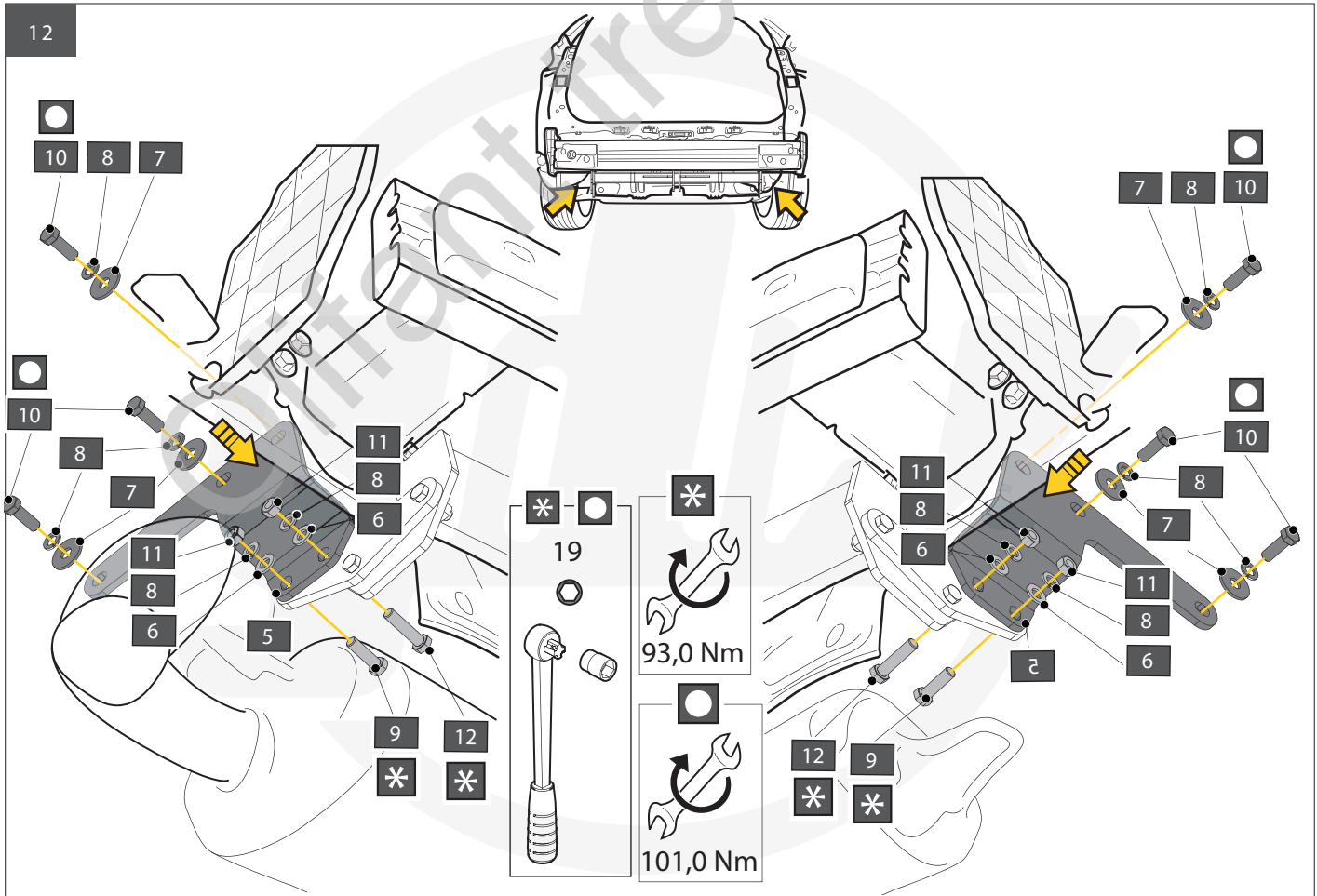
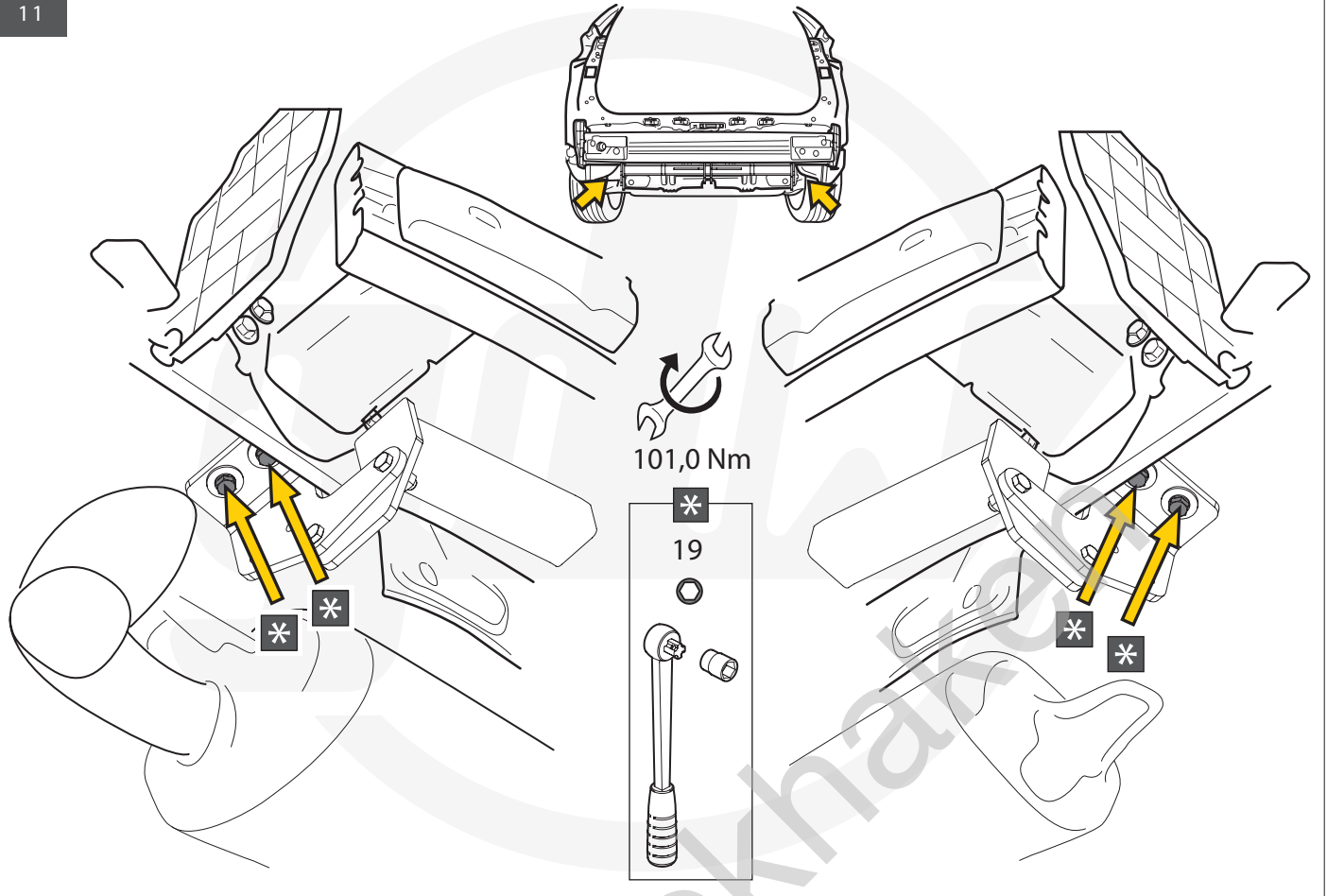




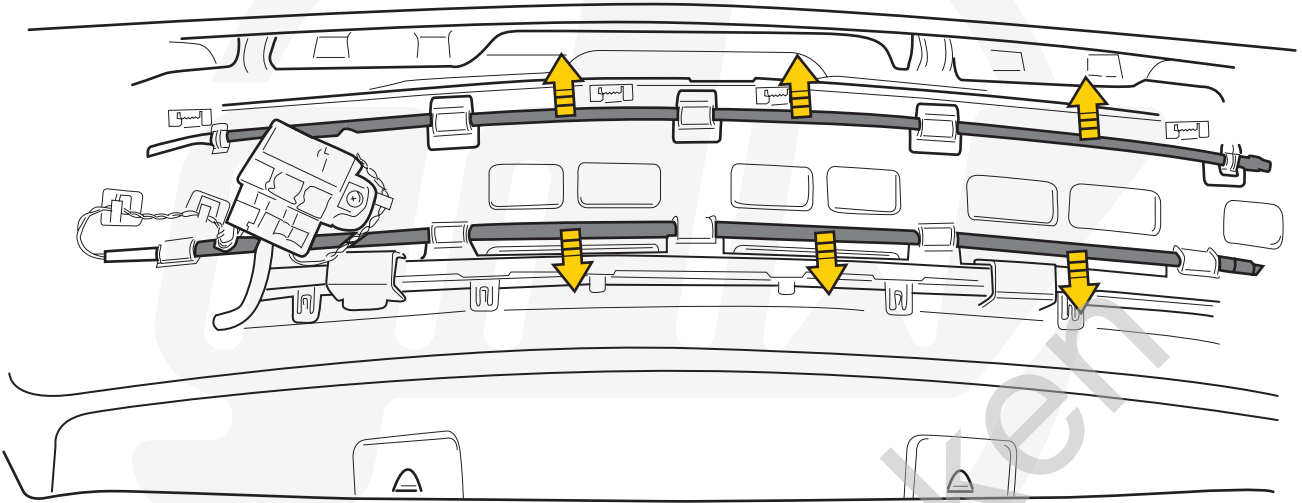




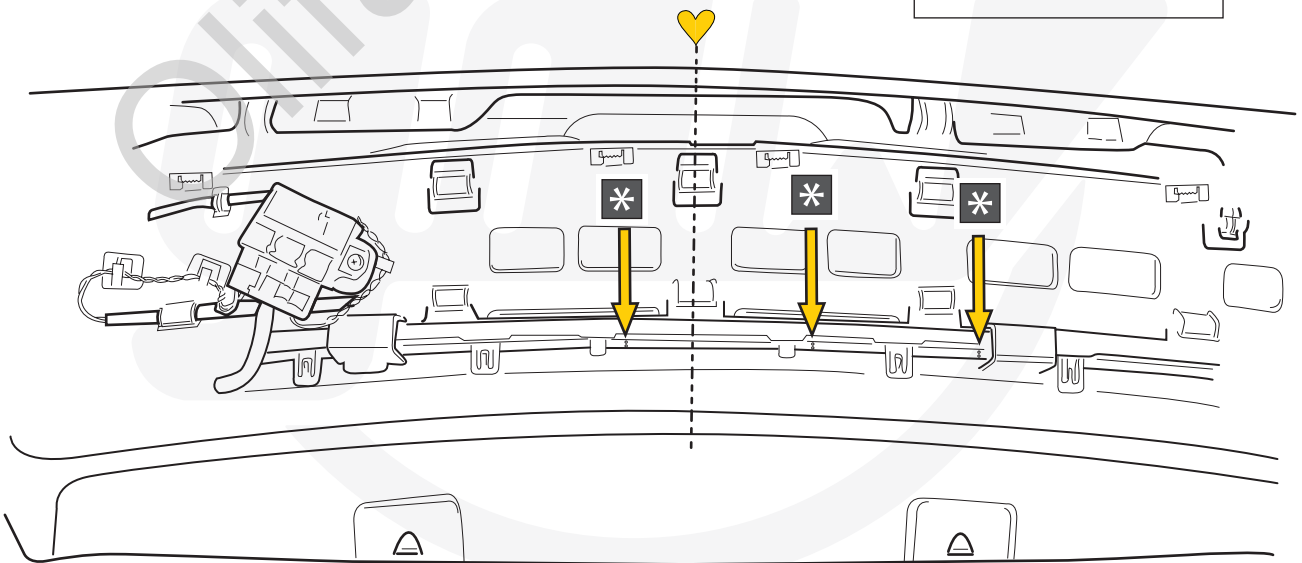
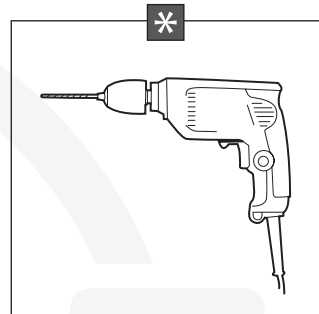
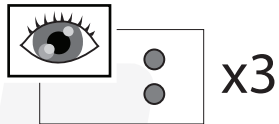


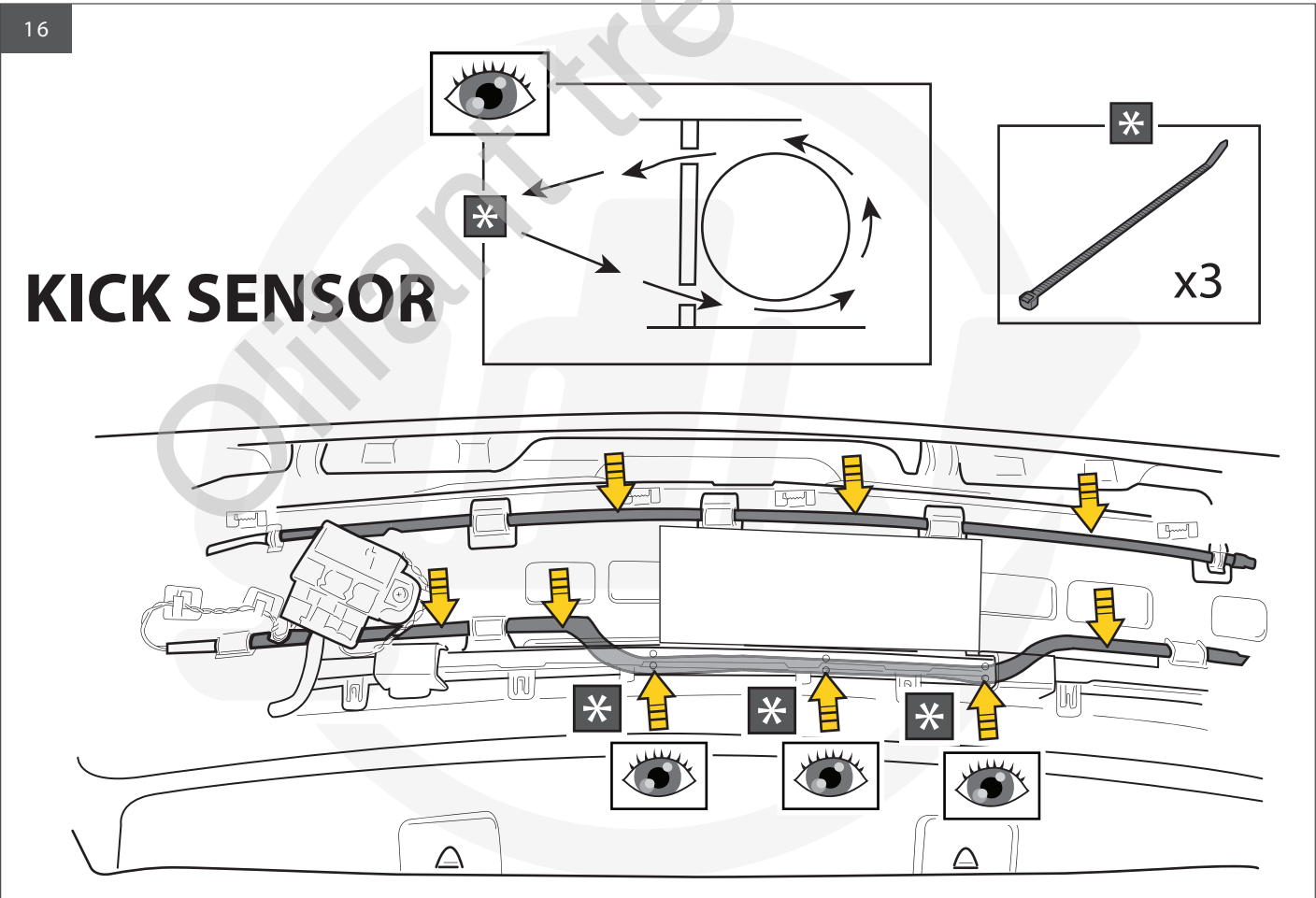
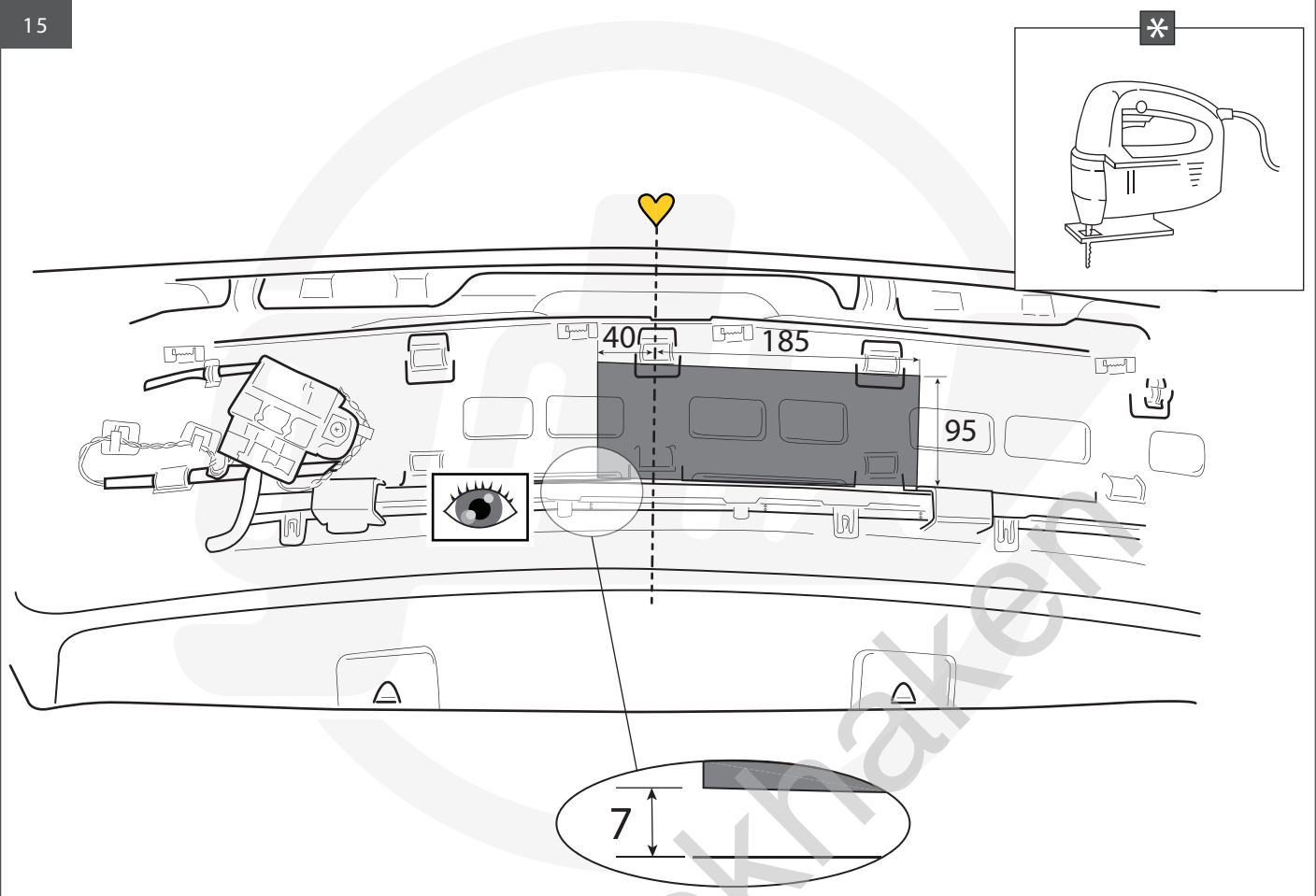


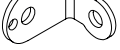




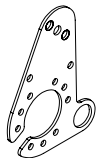
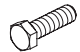
# KICK SENSOR

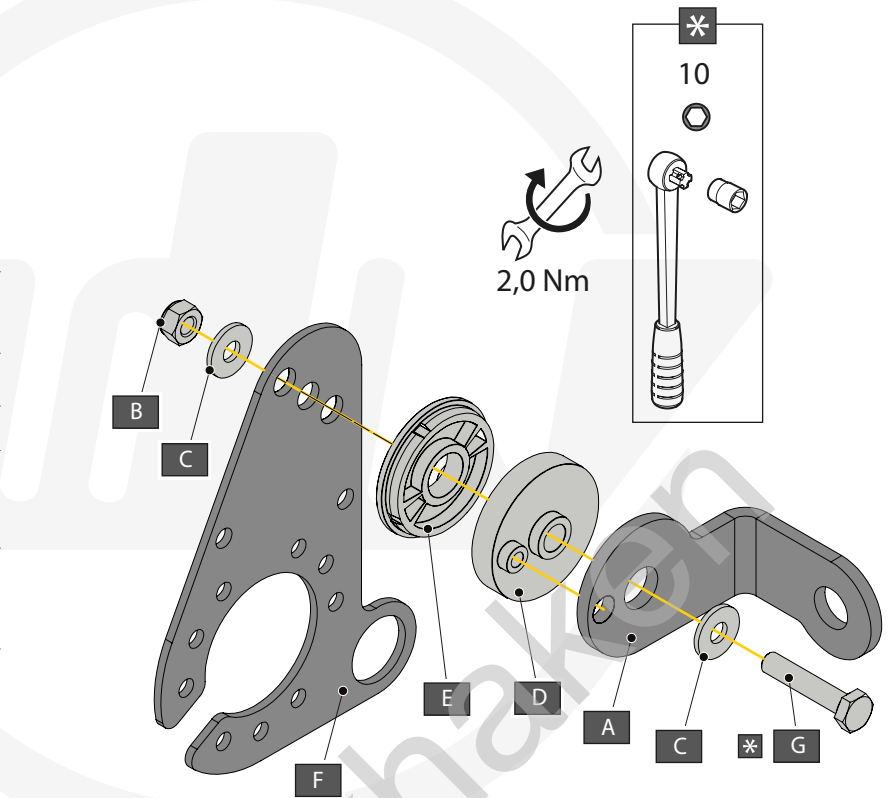


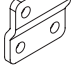

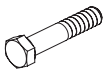

# KICK SENSOR

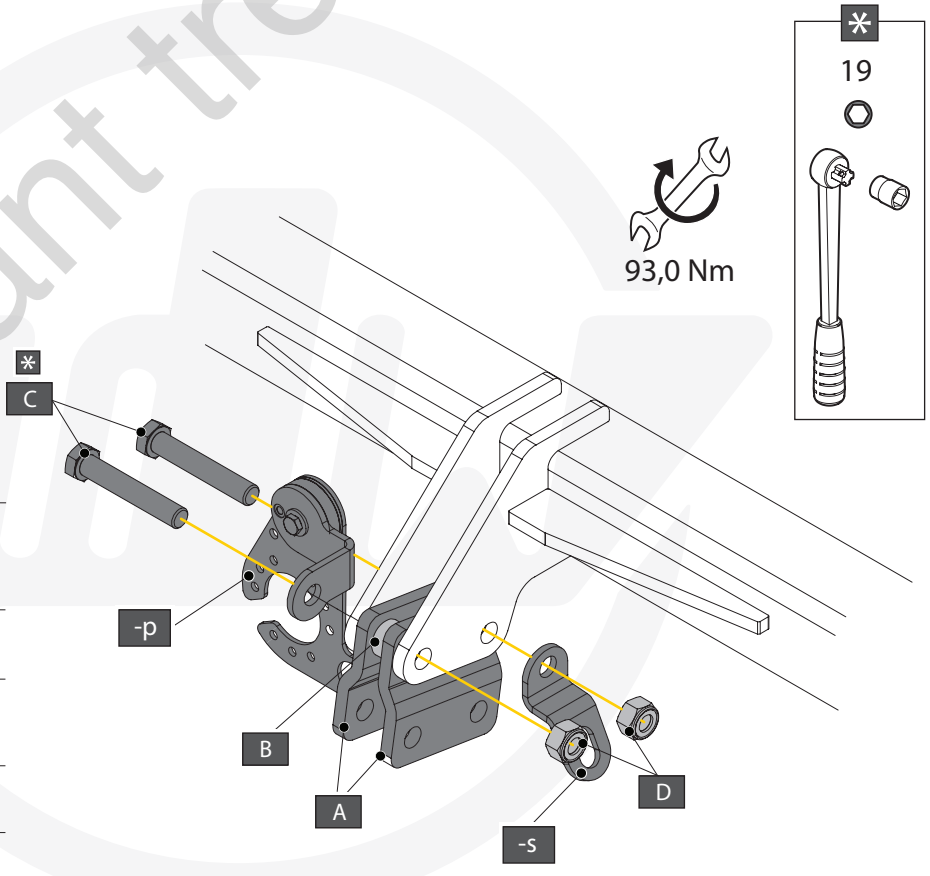


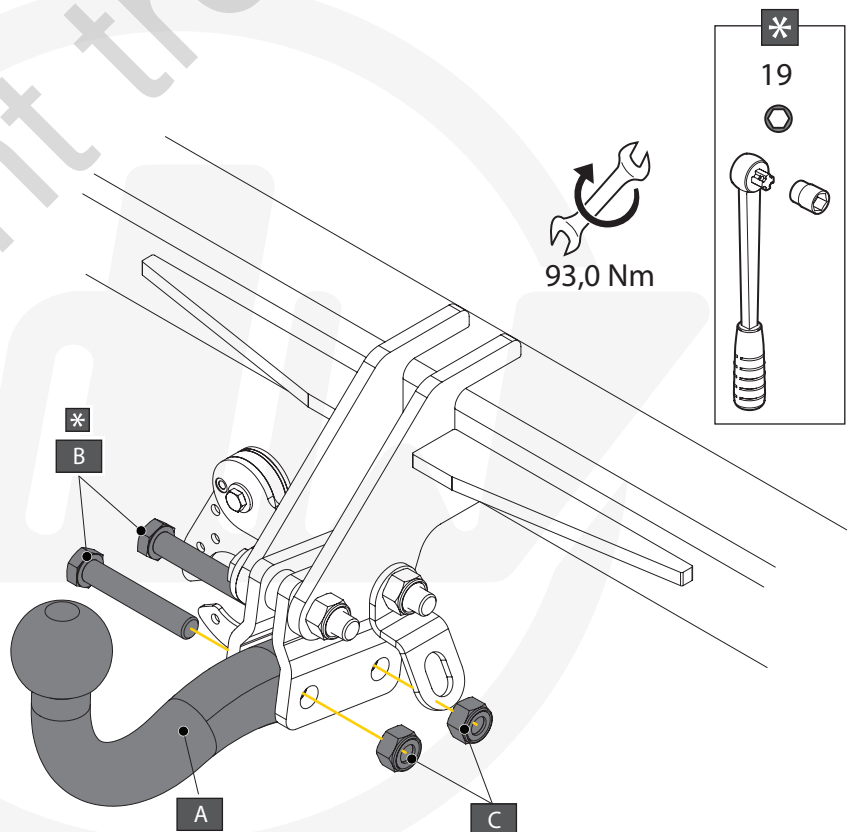
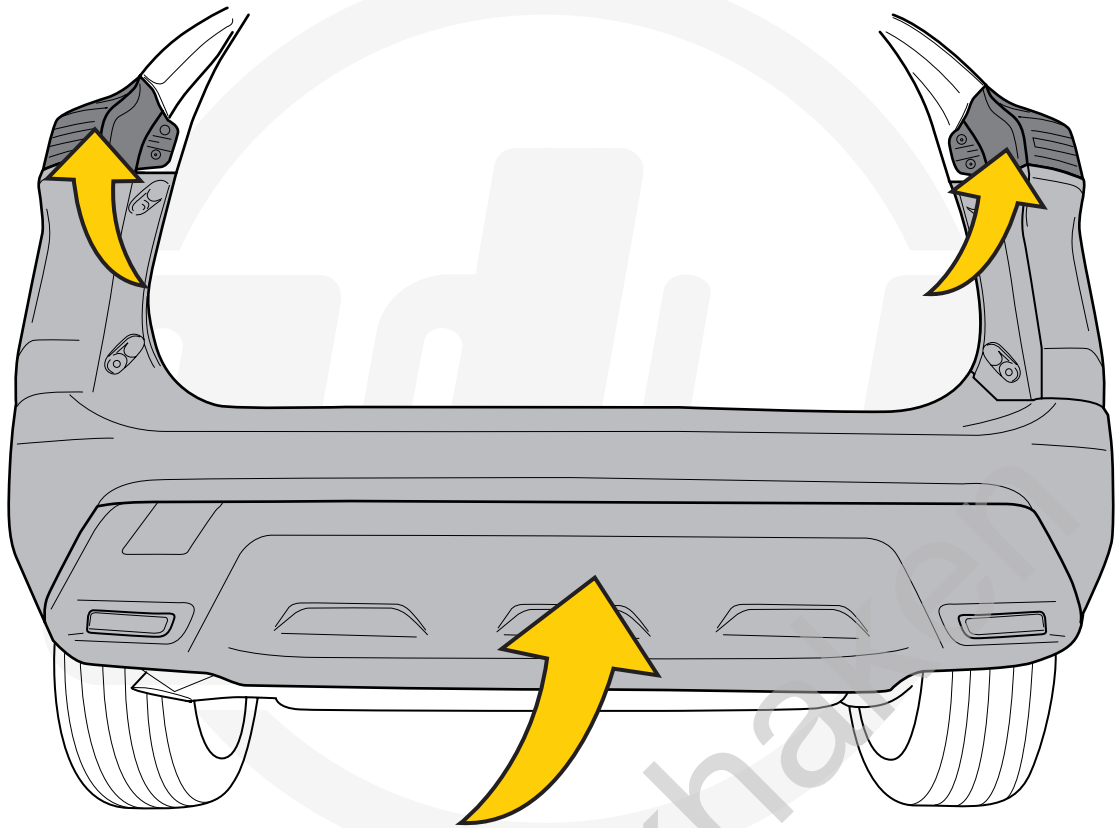


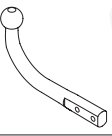
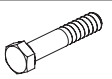
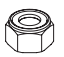
A		X1	GDW REF. 908.095
B		X1	DIN985-M6
C		X2	6,2 X 15,4 X 1,6 (NYLON)
D		X1	GDW REF. 718.16.002
E		X1	GDW REF. 718.16.003
F		X1	GDW REF. 908.094
G		X1	DIN933-M6 X 30



A		X2	GDW REF. 900.008
B		X2	GDW REF. 900.011 Ø 21,3 X 11,7
C		X2	DIN931-M12 X 70 -10,9
D		X2	DIN985-M12 KL10,9
-S		X1	GDW REF. 900.053





- A  X1 944.K007
- B  X2 DIN931-M12 X 70
- C  X2 DIN985-M12