

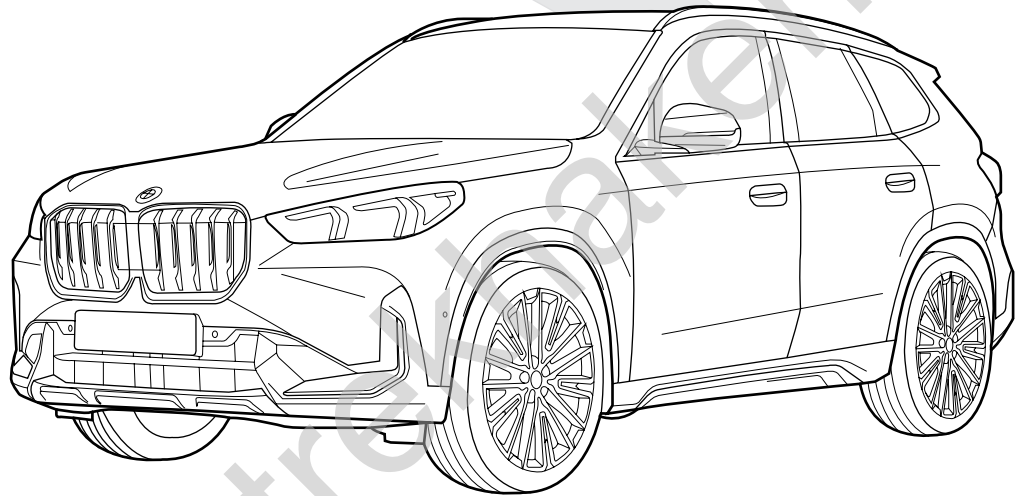


BMW X1 (U11)

07/'22-



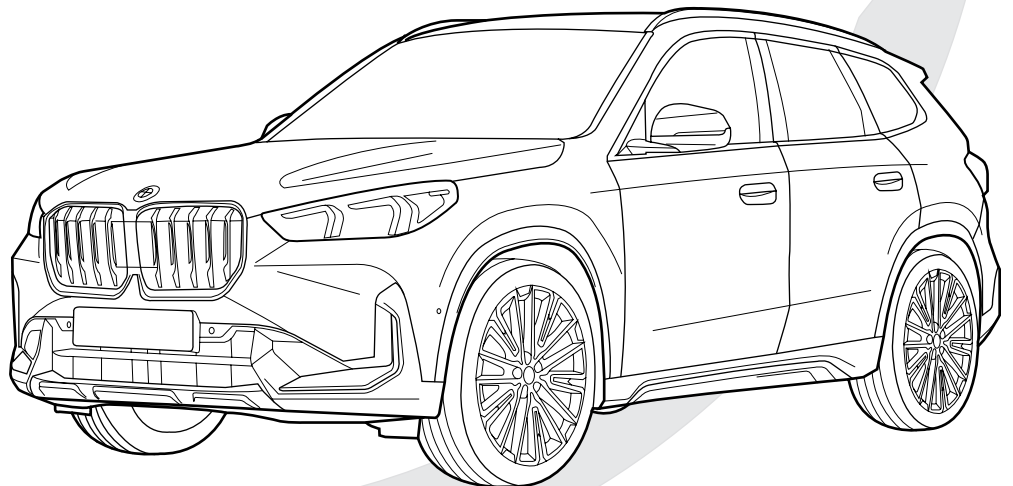
- ✓ STANDARD
- ✓ MILD HYBRID
- ✓ KICKSENSOR
- ✓ M-SPORT PACKAGE
- ✓ (PLUG-IN) HYBRID

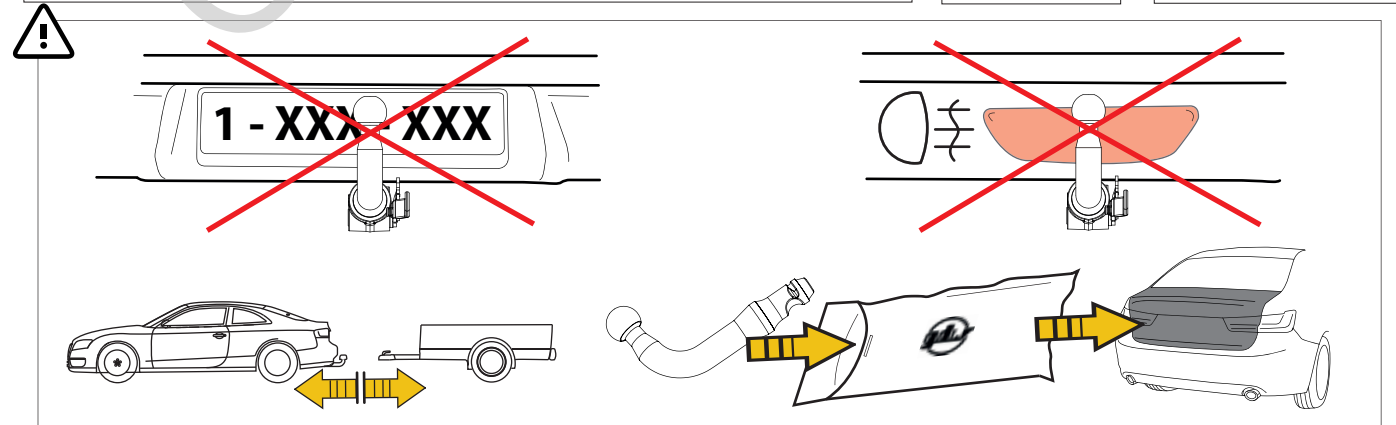
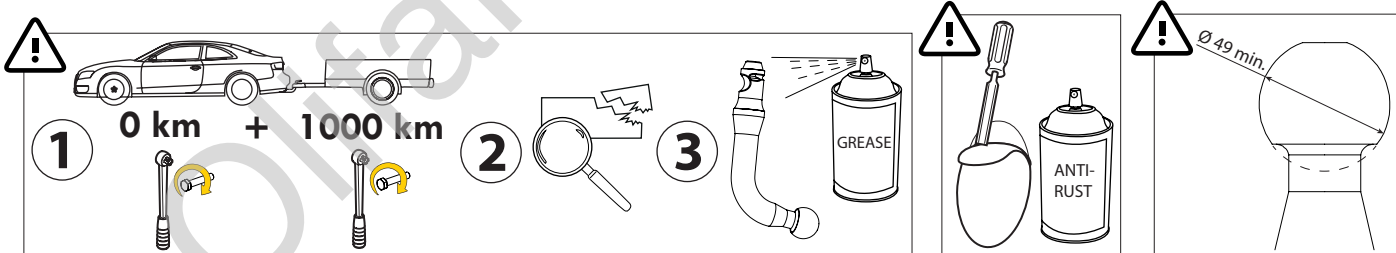
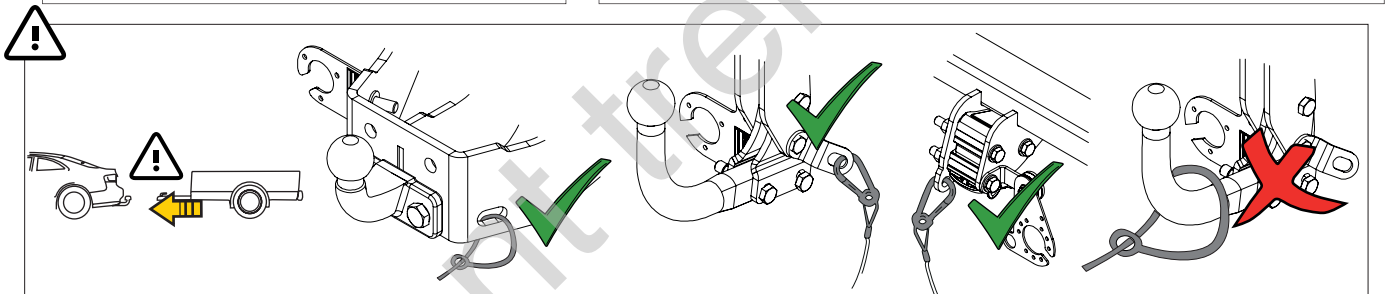
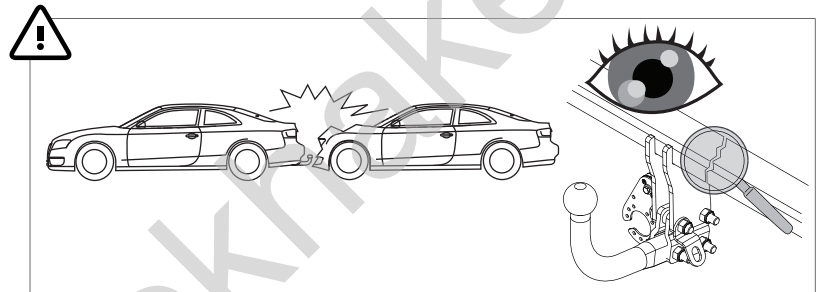
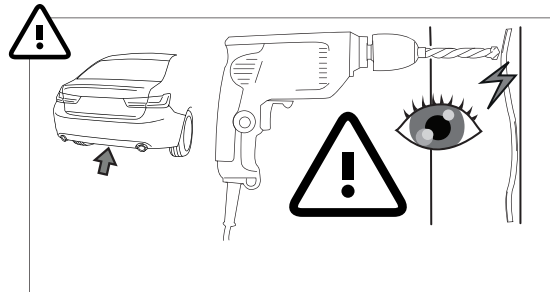
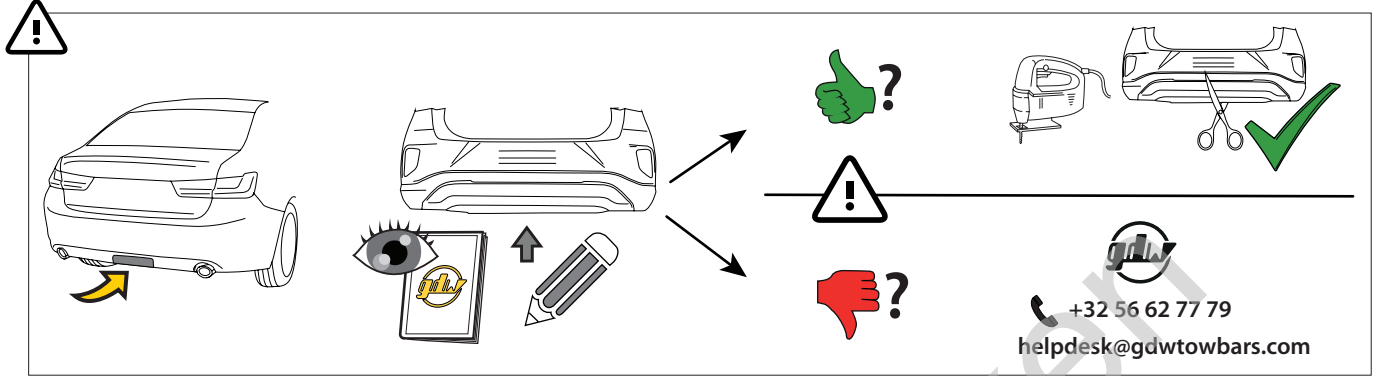
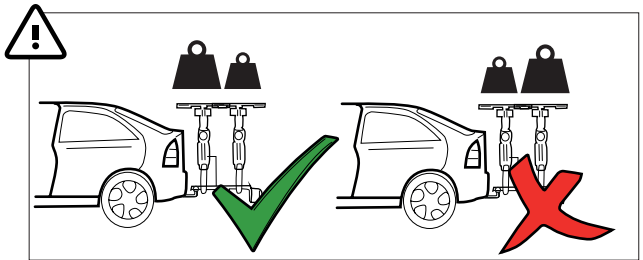
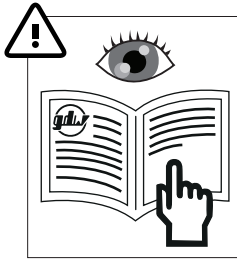
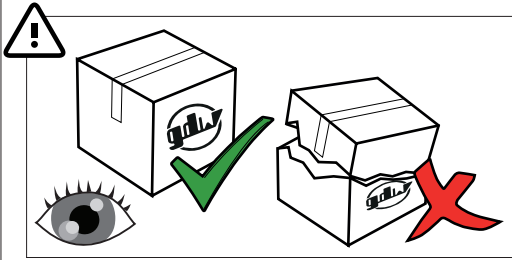


BMW iX1 (U11)

08/'22-

- ✓ KICKSENSOR
- ✓ M-SPORT PACKAGE
- ✓ (PLUG-IN) HYBRID





MADE BY



D 11,25

F

E6

BELGIUM

S 100

EC-N°

55R-02 1767

REF N°

2723T60

SERIAL N°

XXXX

DESCRIPTION

BMW X1



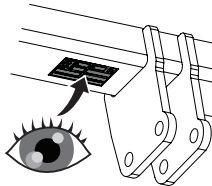
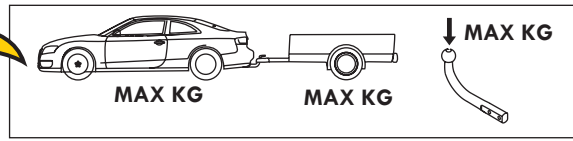
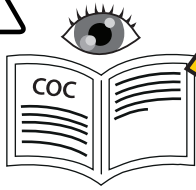
$$D = \frac{\text{max kg (car)} \times \text{max kg (trailer)}}{\text{max kg (car)} + \text{max kg (trailer)}} \times 0.00981 \leq 11,25 \text{ kN}$$



$$S = \begin{matrix} \leq 100 \text{ kg} \\ \leq 2000 \text{ kg} \end{matrix}$$



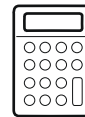
See the Certificate Of Conformity (COC) of your vehicle or contact your dealer to verify the max. trailer weight of your car!



MADE BY	D		E6
BELGIUM	S		
REF. N°		SERIAL N°	
DESCRIPTION			

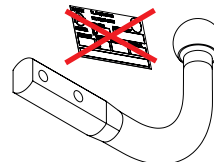


D-VALUE
S-LOAD



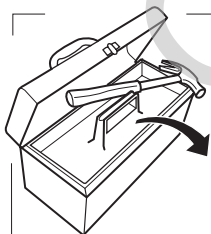
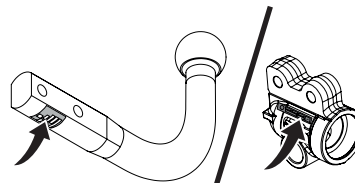
MADE BY	D		E6
BELGIUM	S		
REF. N°		SERIAL N°	
DESCRIPTION			

A50-X?

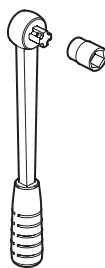


F?

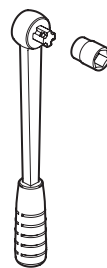
+



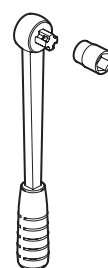
8



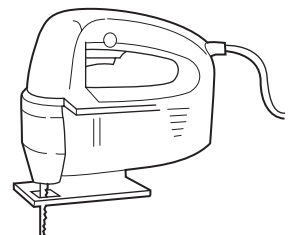
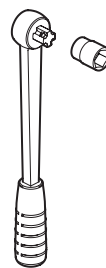
10

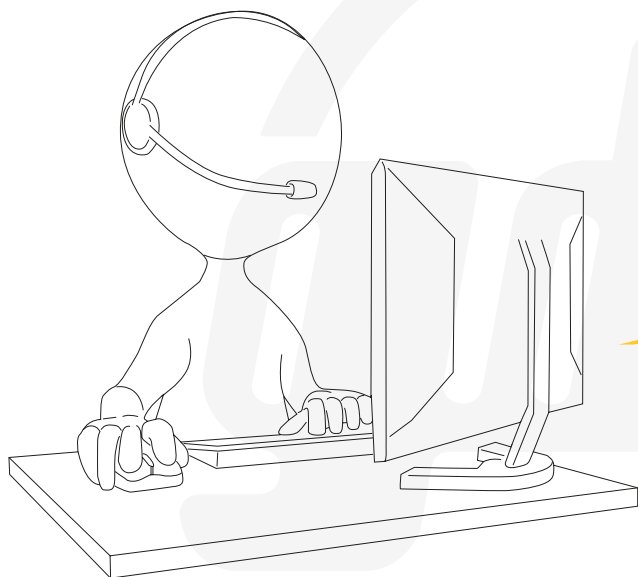


18



19

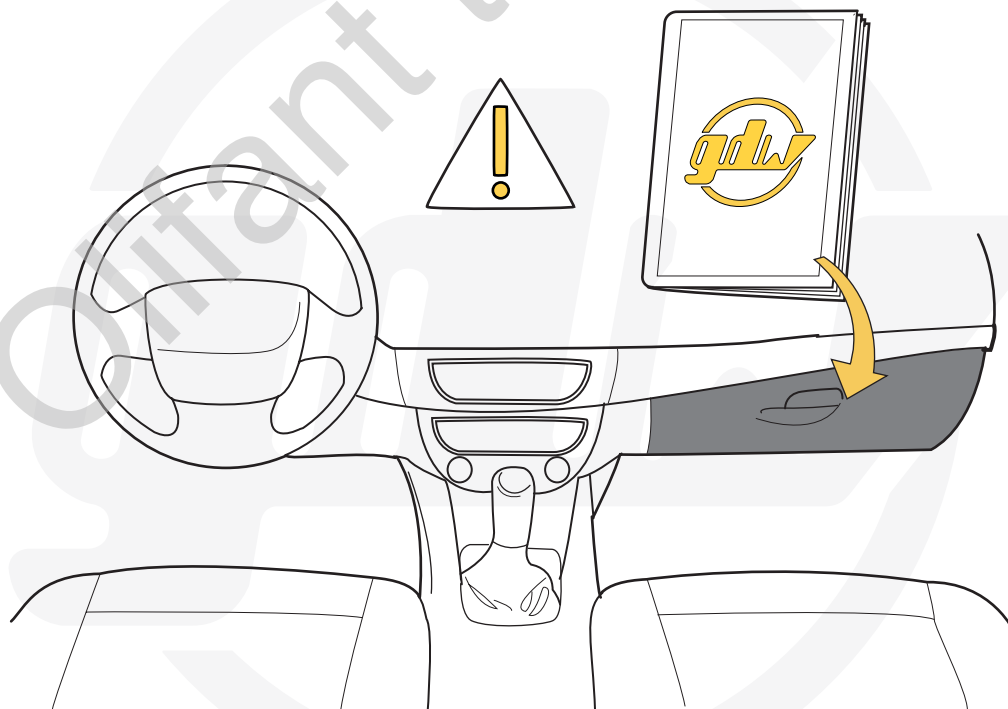


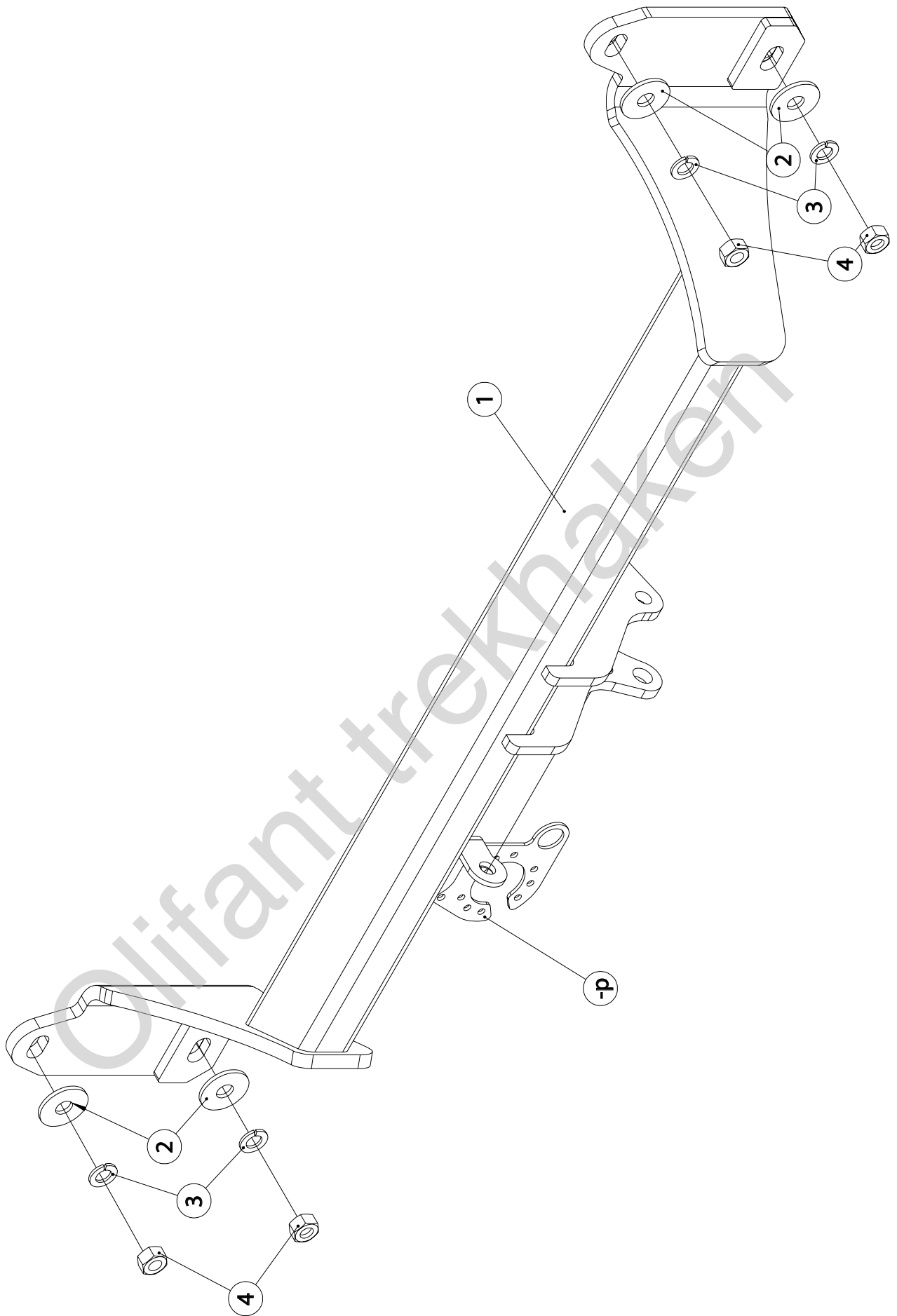


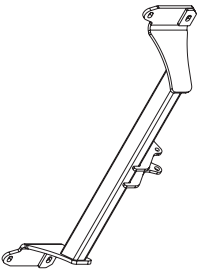

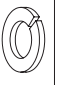

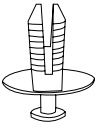
helpdesk@gdwtowbars.com

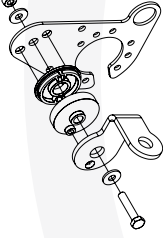

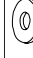





+32 56 62 77 79

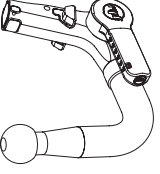
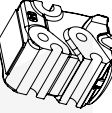



Monday	08:00 - 12:00	12:30 - 16:30
Tuesday	08:00 - 12:00	12:30 - 16:30
Wednesday	08:00 - 12:00	12:30 - 16:30
Thursday	08:00 - 12:00	12:30 - 16:30
Friday	08:00 - 12:00	12:30 - 15:30



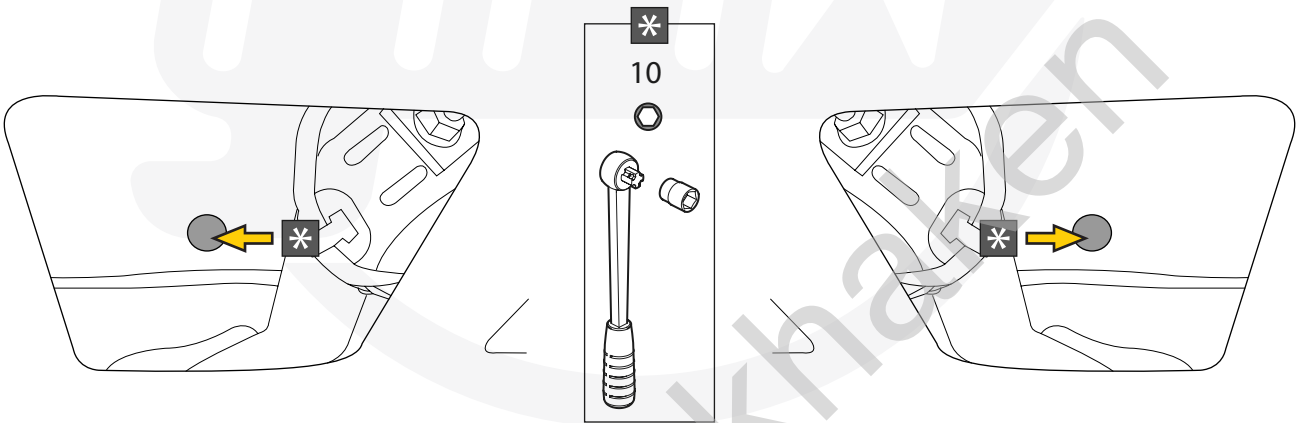
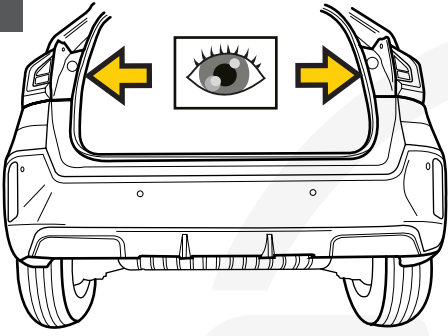


1		GDW REF. 2723T60	X1
2		DIN9021-M12-ELVZ	X4
3		DIN128A-M12	X4
4		DIN934-M12X1,5-KL10	X4
5		GDW REF. 5	X6

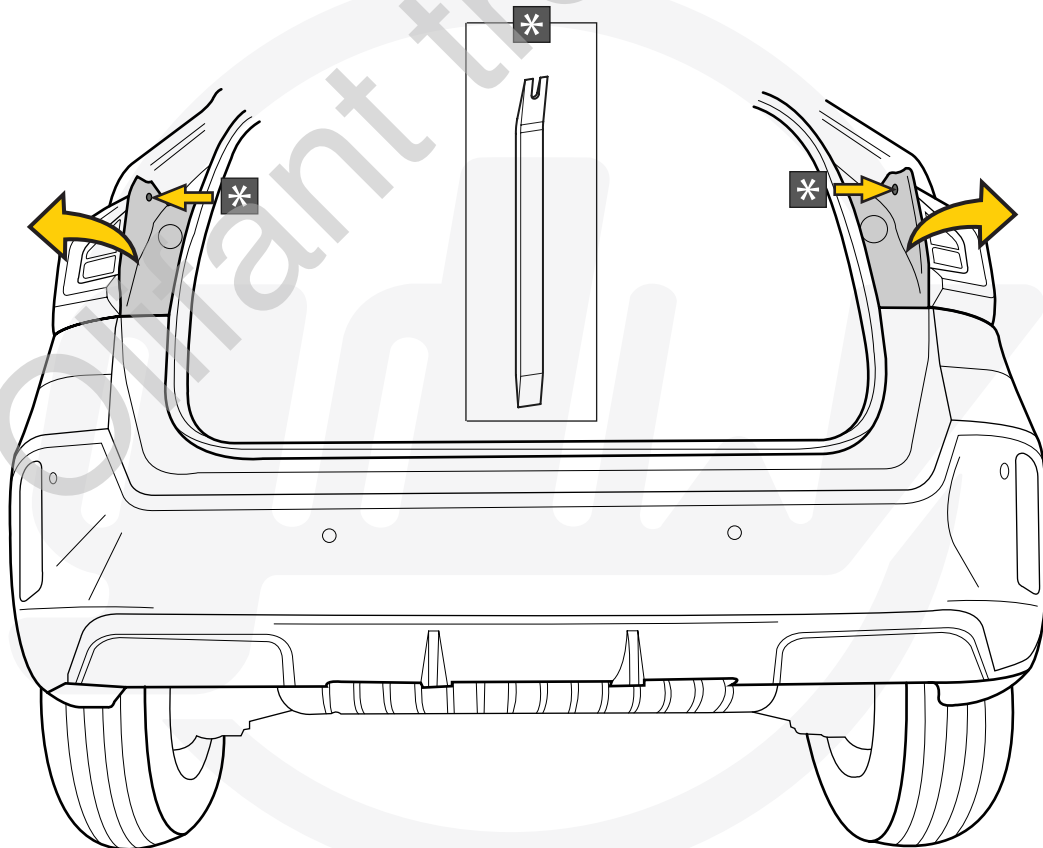
-P		GDW REF. P39	X1
↑		DIN985-M6	X1
↑		6,2 X 15,4 X 1,6 (NYLON)	X2
↑		GDW REF. 718.16.002	X1
↑		GDW REF. 718.16.003	X1
↑		GDW REF. 908.094	X1
↑		DIN933-M6 X 30	X1
↑		GDW REF. 908.095	X1

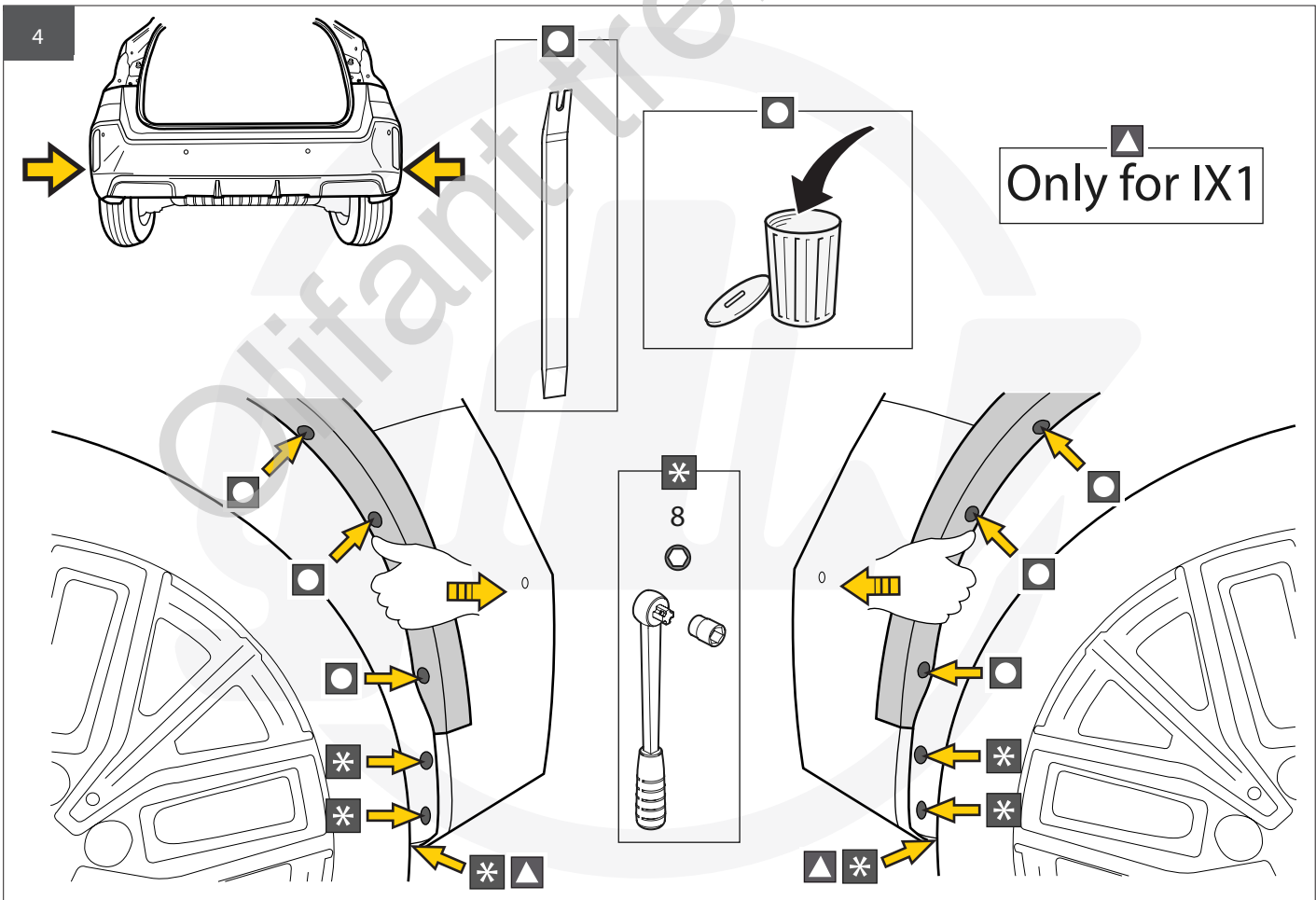
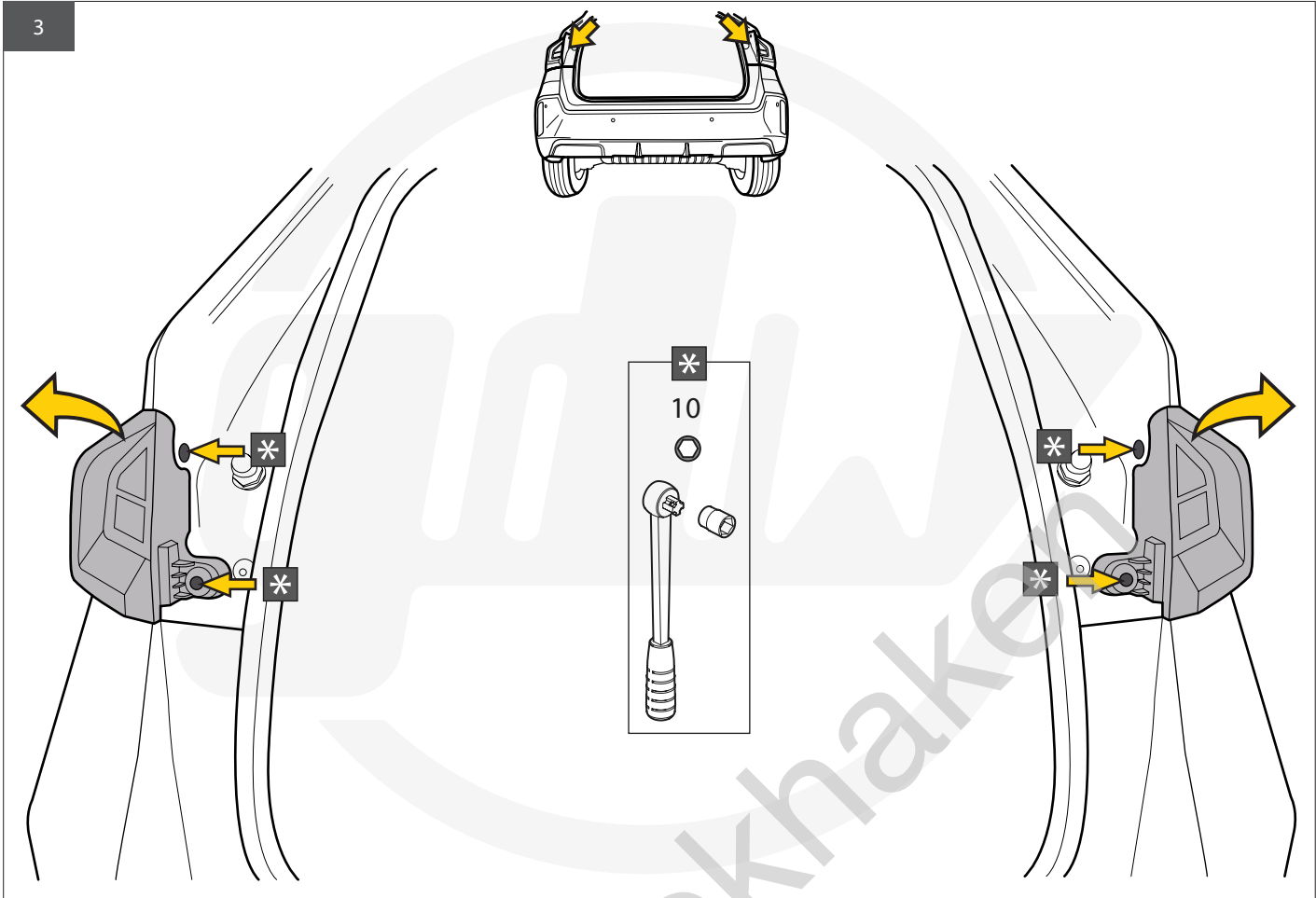
Geleverd met - Livré avec - Delivered with Gefiefert mit - Elementos adjuntos-Leveres med		X1	GDW REF. 960.V1006
	↑	X1	GDW REF. 740.200
		X1	GDW REF. 912.003
	↑	X1	GDW REF. 740.112
	↑	X1	GDW REF. 740.111
		X1	GDW REF. 740.12X X= LAST NUMBER ON KEY
		X1	GDW REF. 718.15.001
		X1	GDW REF. SYST60-10
	↑	X3	DIN931-M12X110-8.8
	↑	X3	DIN128A-M12
	↑	X6	DIN125A-M12
	↑	X3	DIN934-M12

1

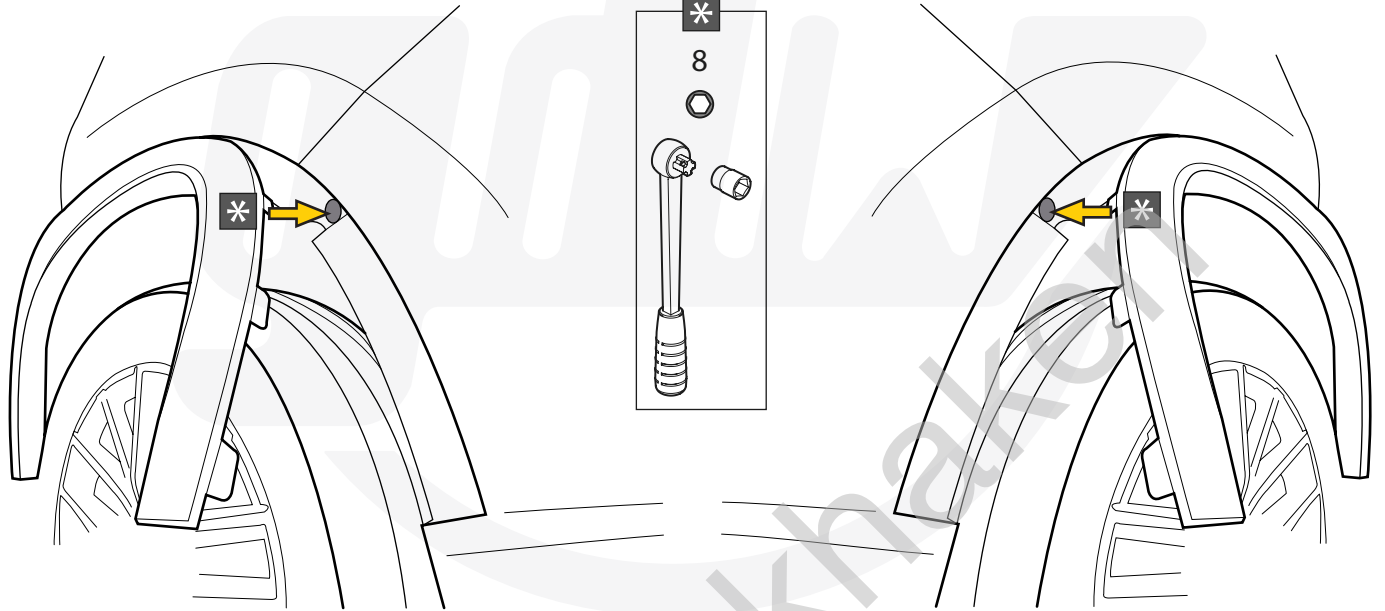
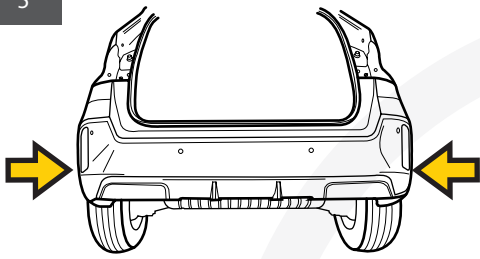


2

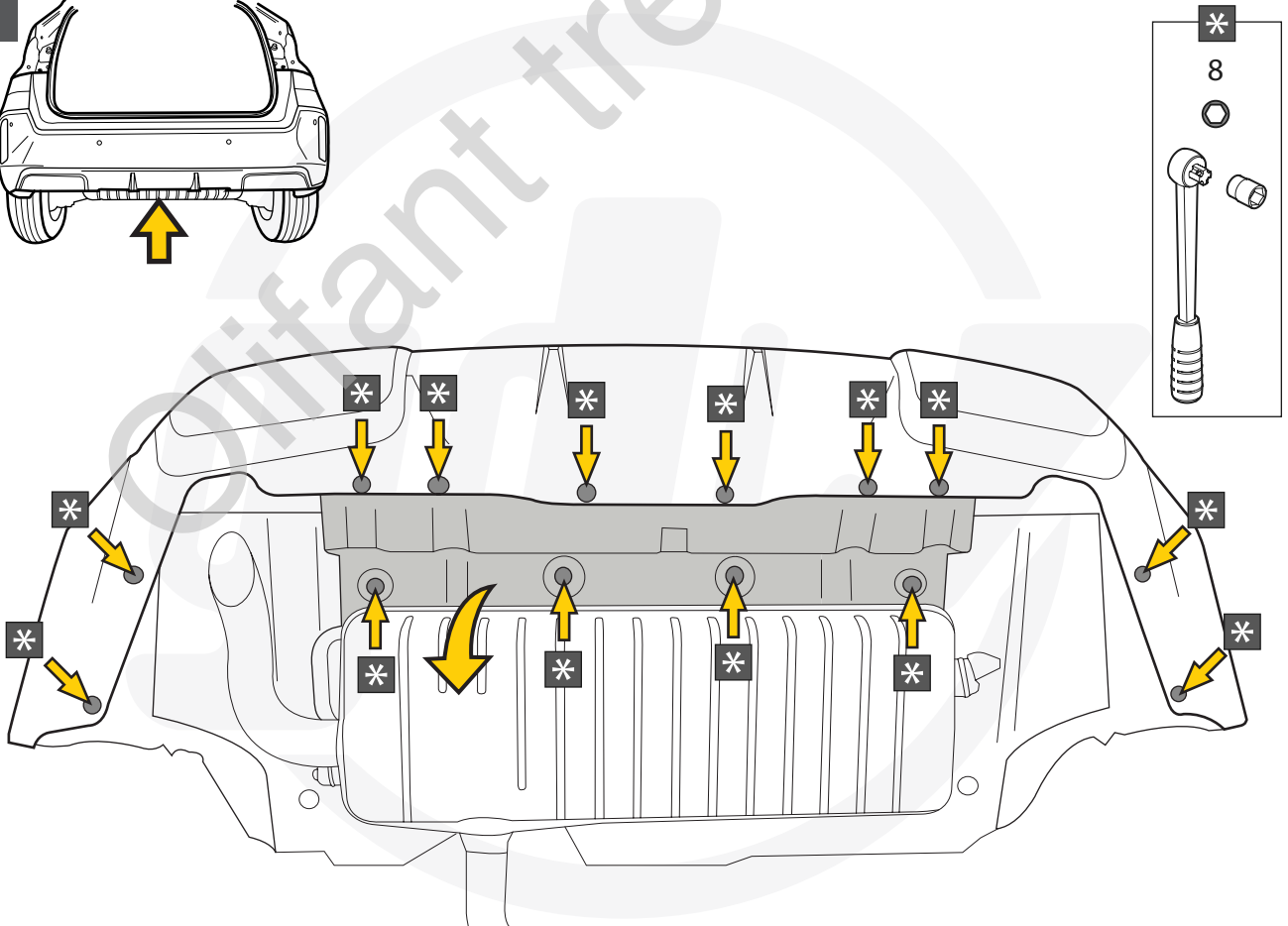
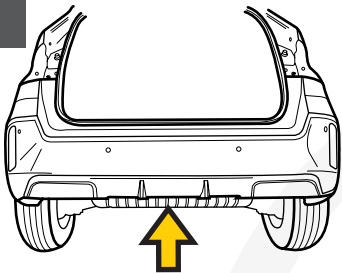




5

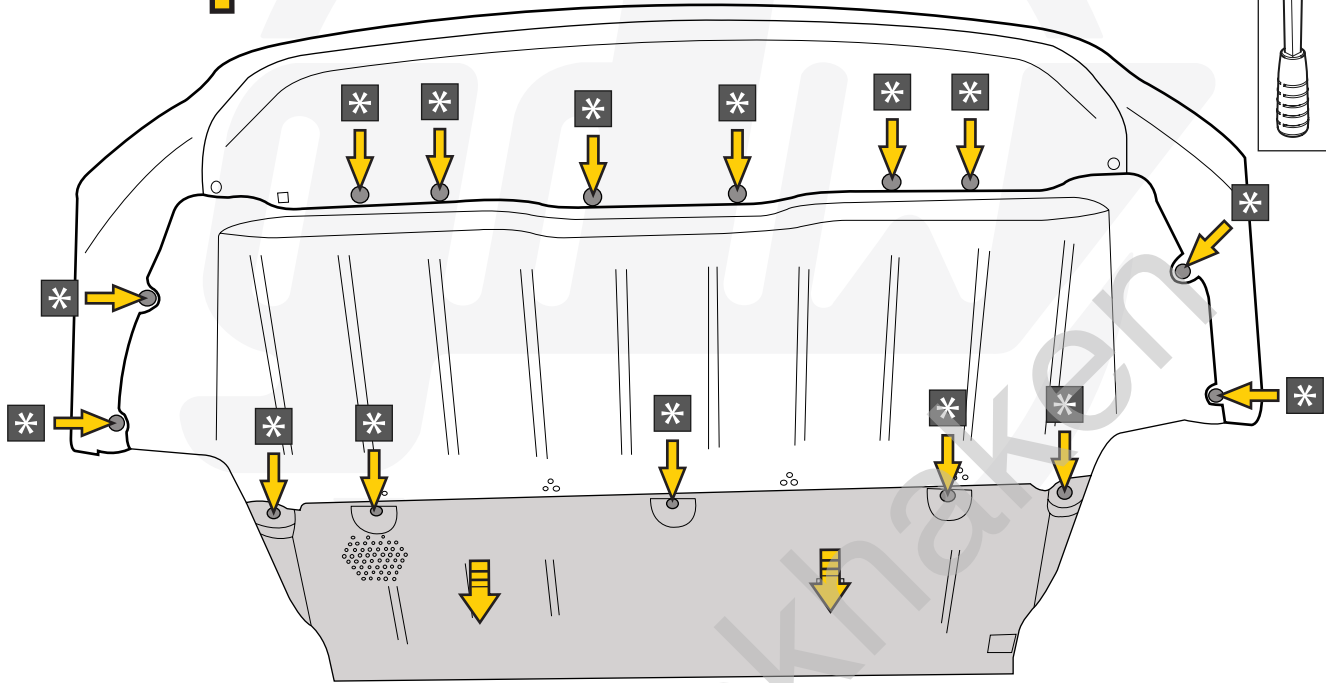
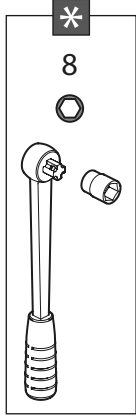
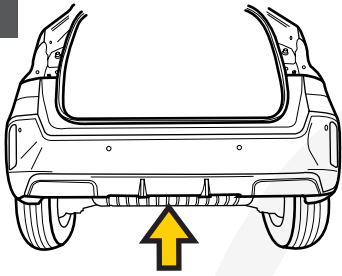


6



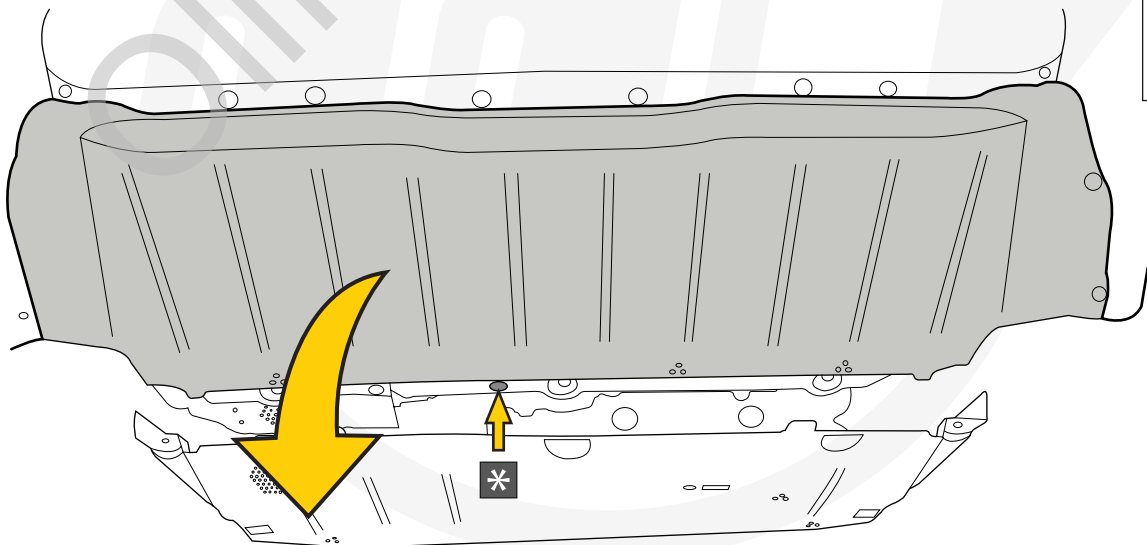
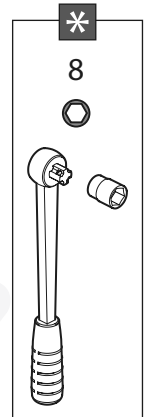
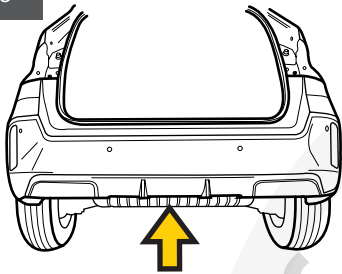
7

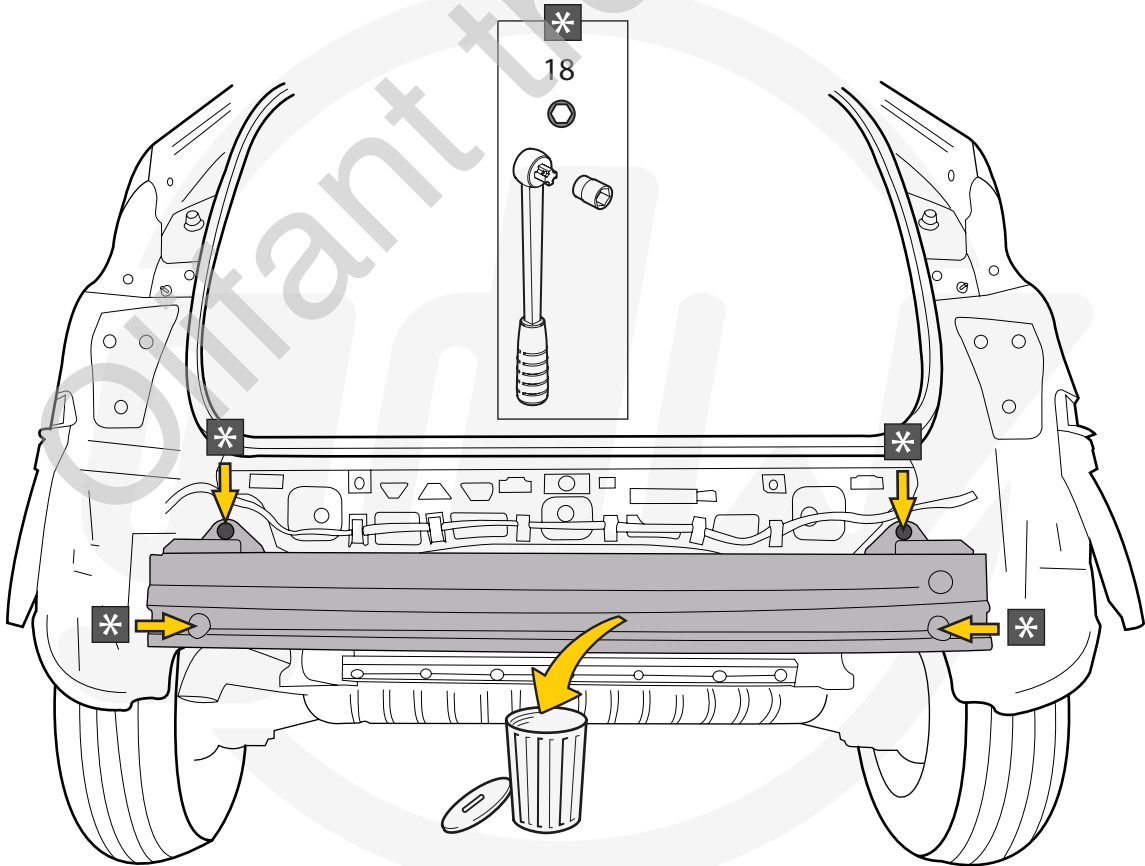
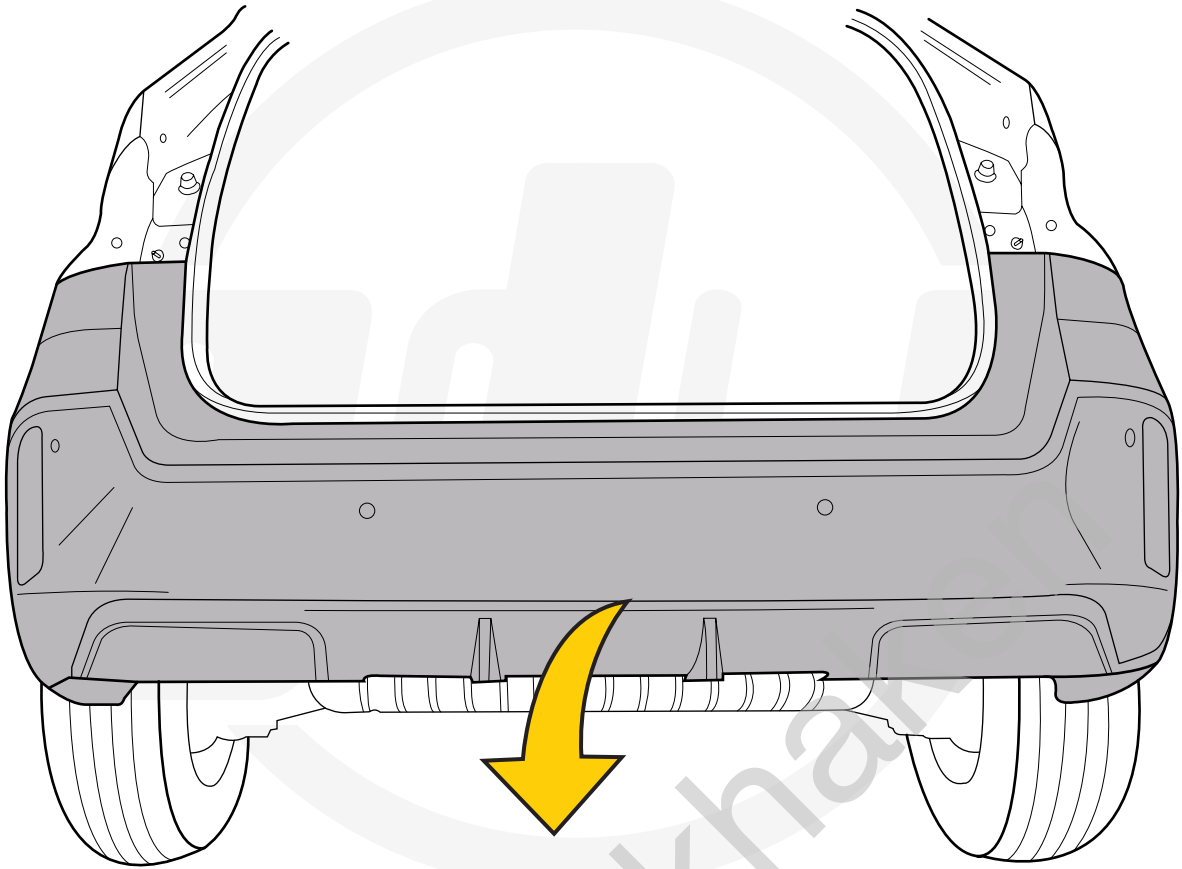
Only for IX1



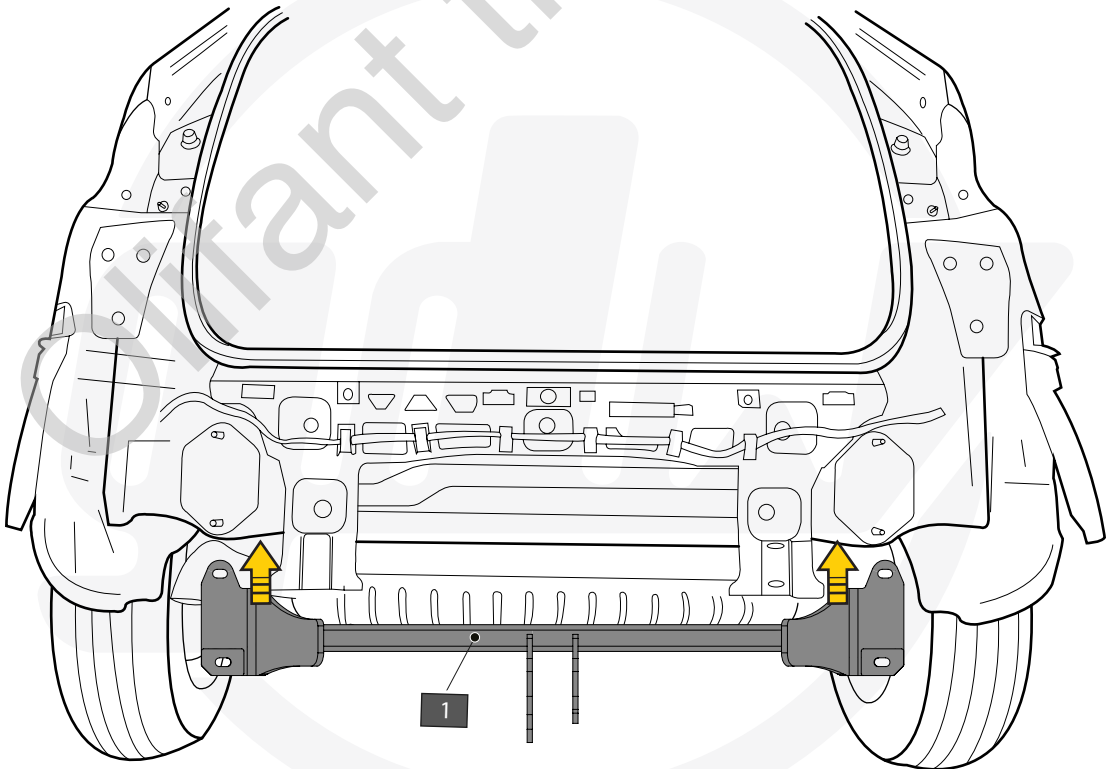
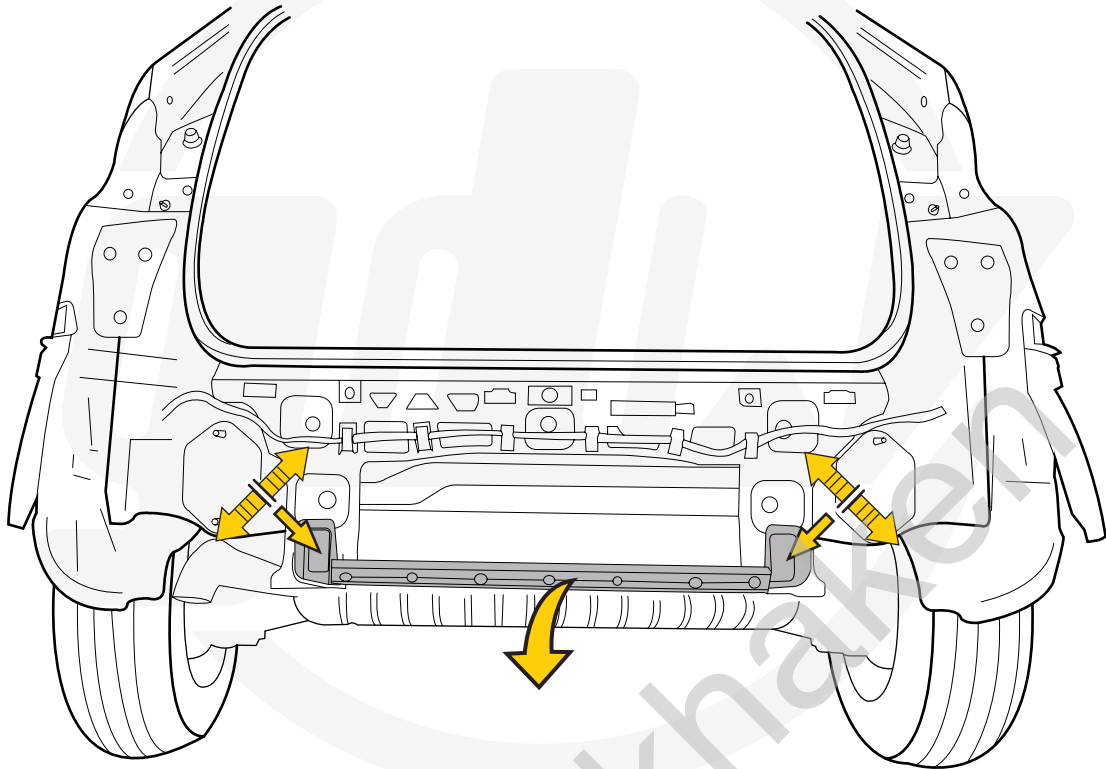
8

Only for IX1

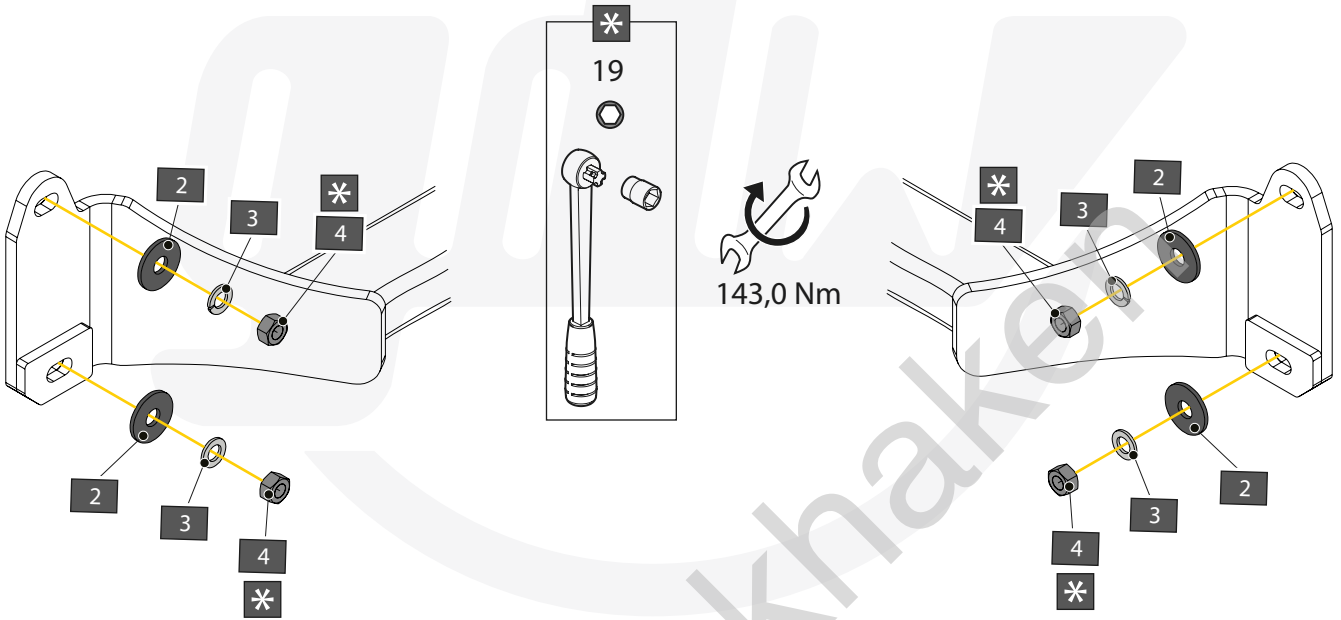
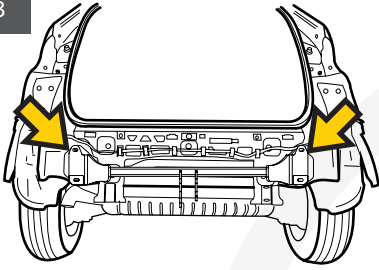




only for vehicles with kick-sensor

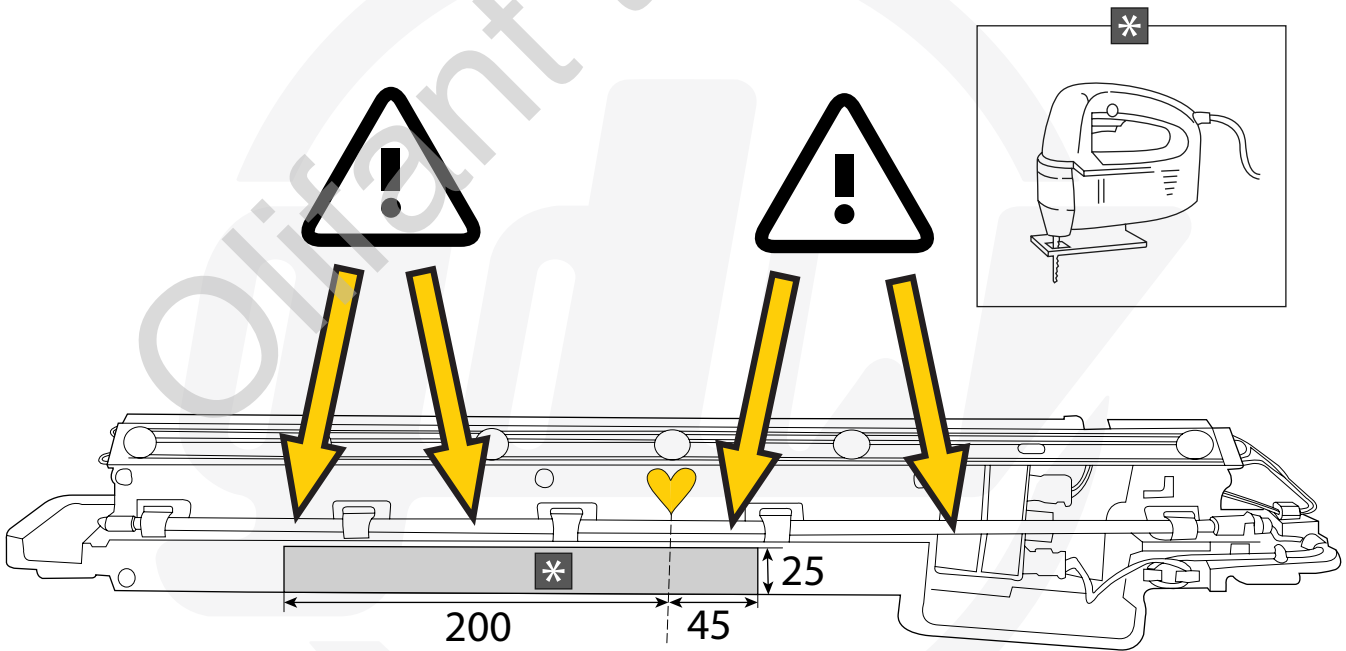


13

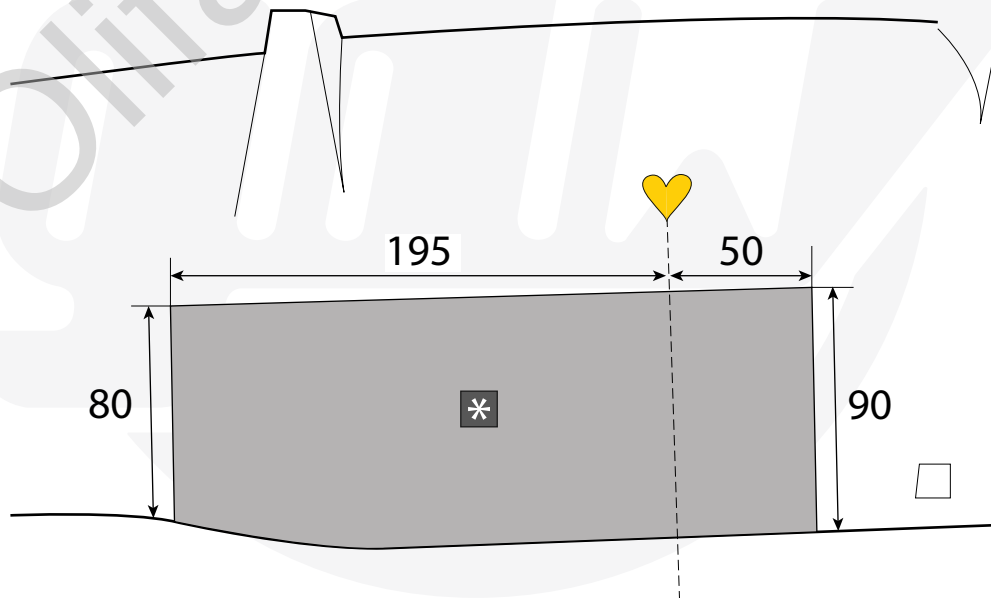
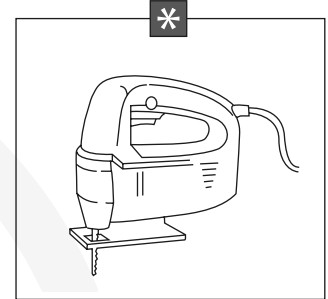
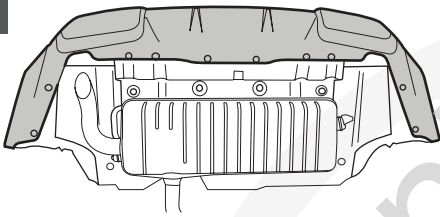
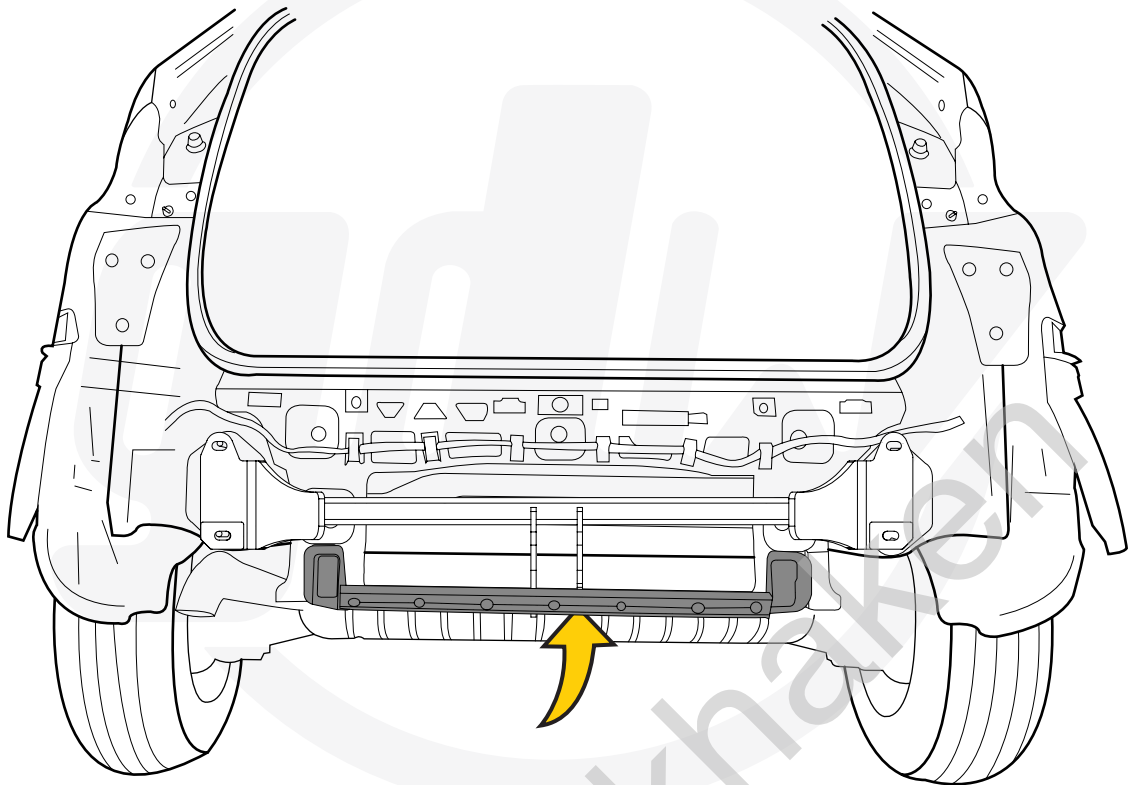


14

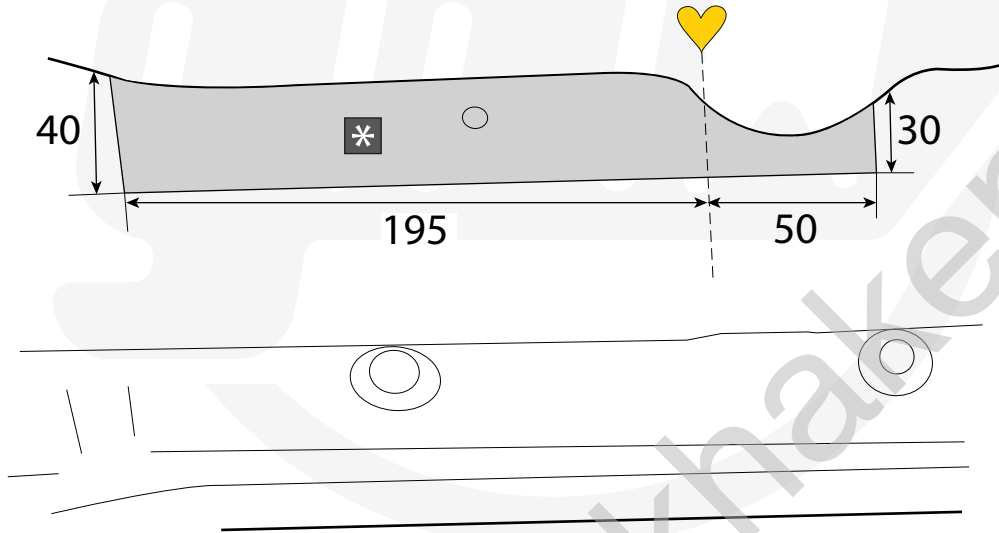
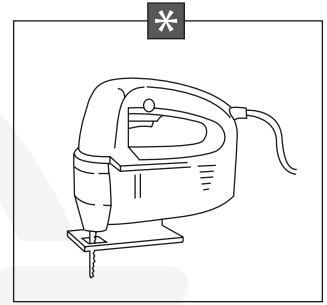
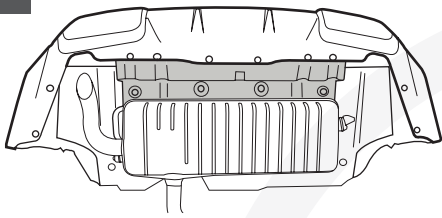
only for vehicles with kick-sensor



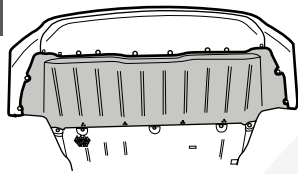
only for vehicles with kick-sensor



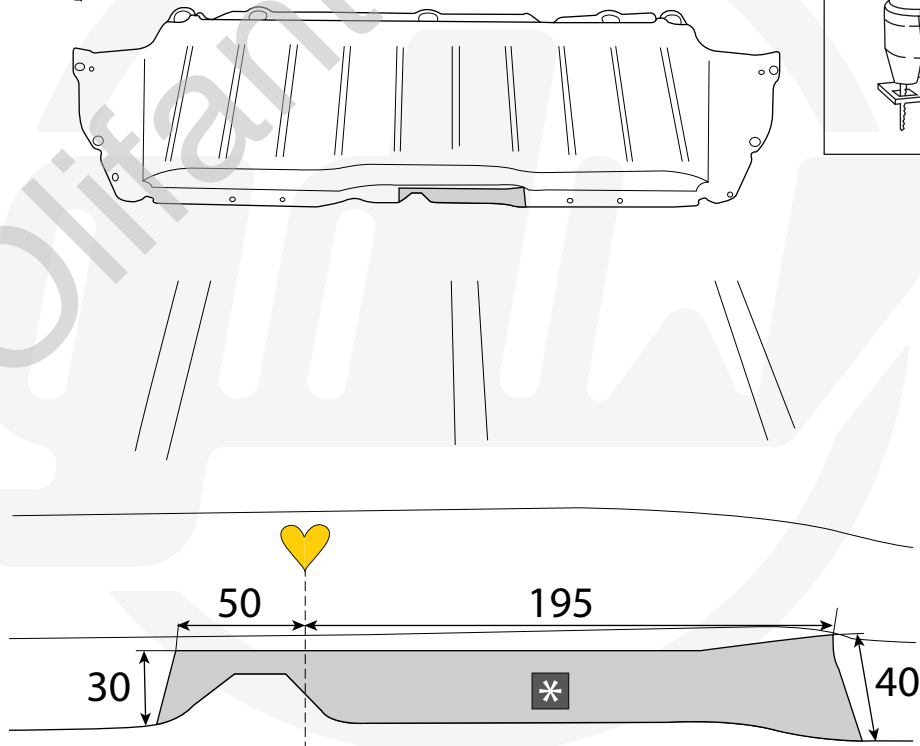
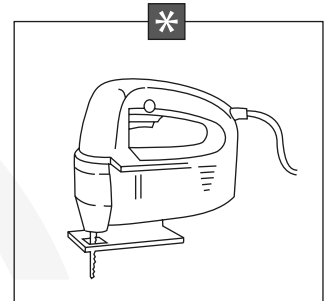
17

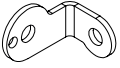




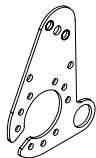
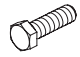


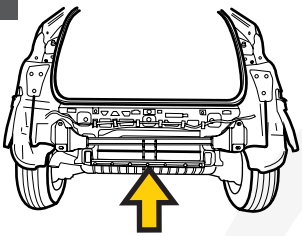
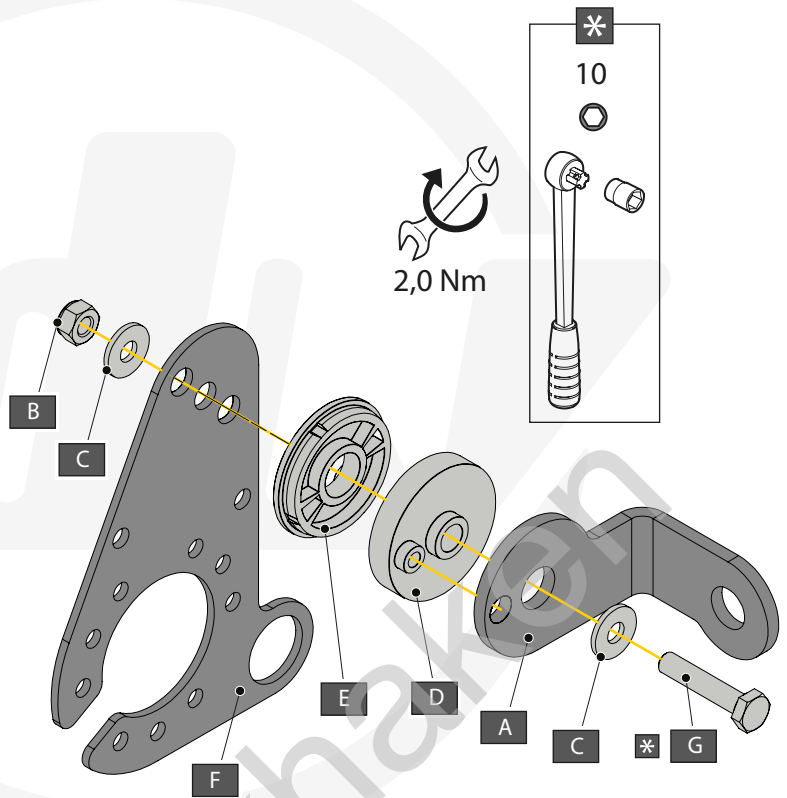
18

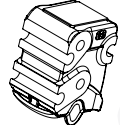






Only for IX1



A		X1	GDW REF. 908.095
B		X1	DIN985-M6
C		X2	6,2 X 15,4 X 1,6 (NYLON)
D		X1	GDW REF. 718.16.002
E		X1	GDW REF. 718.16.003
F		X1	GDW REF. 908.094
G		X1	DIN933-M6 X 30



A		X1	GDW REF. 912.003
B		X3	DIN931-M12X110-8.8
C		X3	DIN128A-M12
D		X6	DIN125A-M12
E		X3	DIN934-M12

