



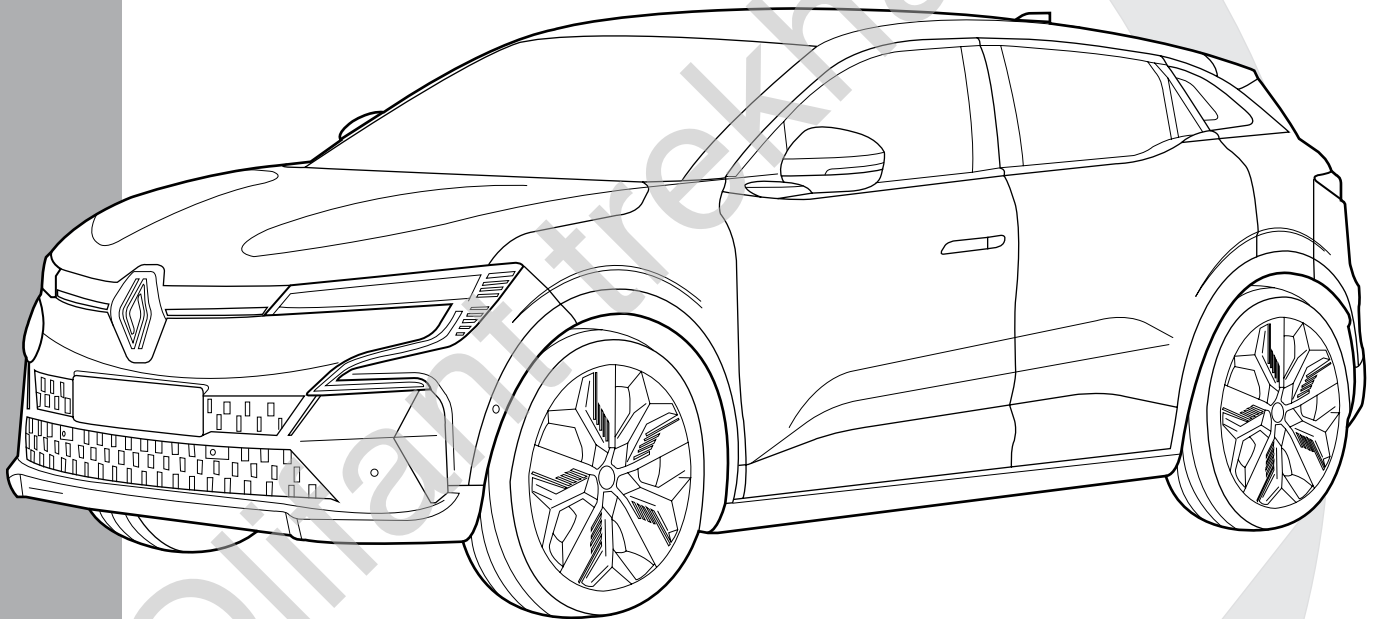
TREKHAKEN • ATTELAGES • ANHÄNGERVORRICHTUNGEN • TOWBARS • ENHANCES • ANHÆNGERTRÆK • GANCI DI TRAINO

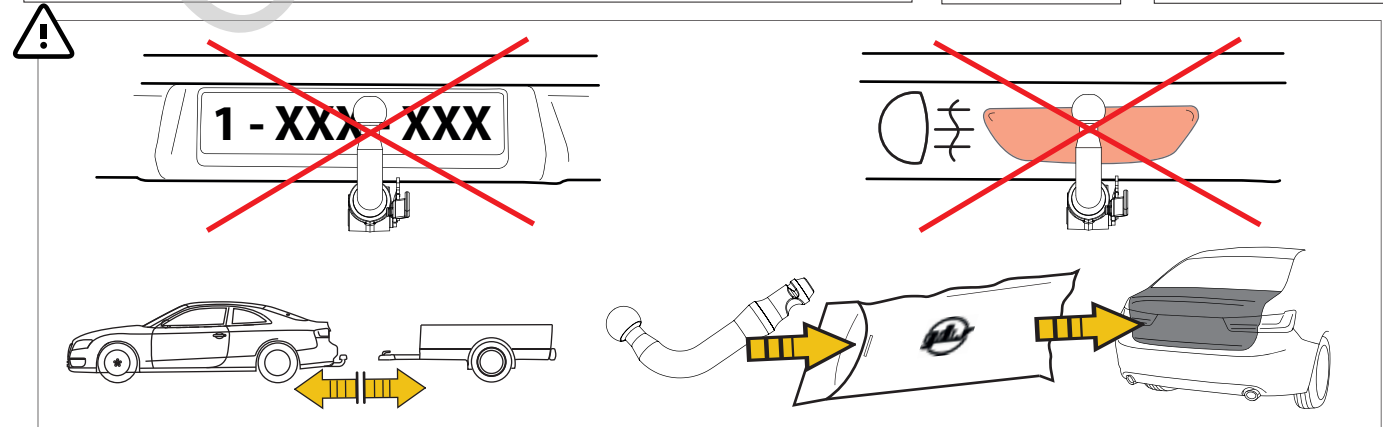
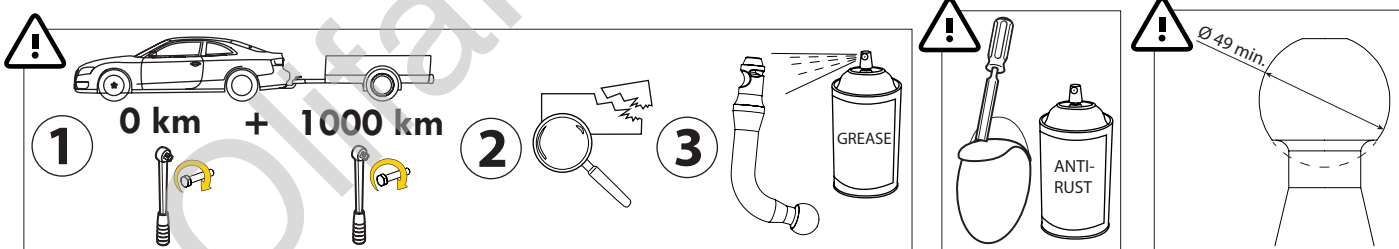
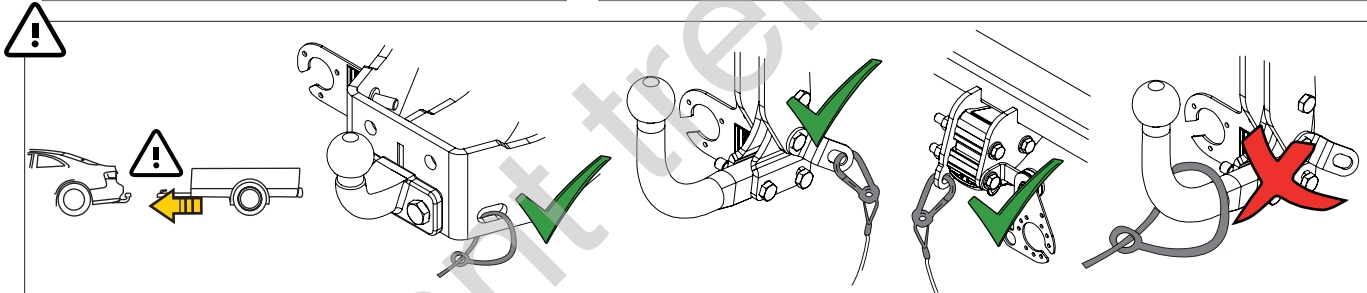
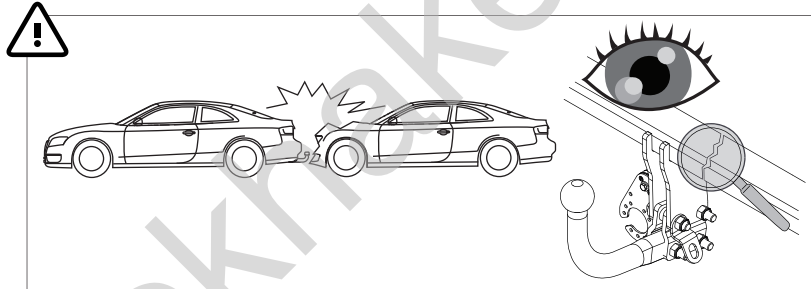
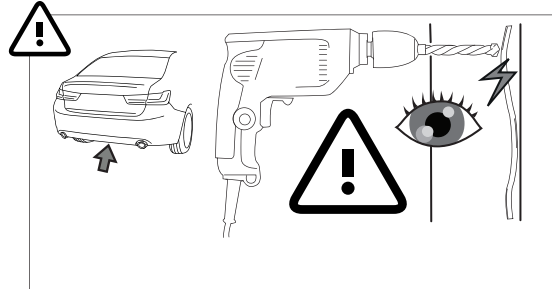
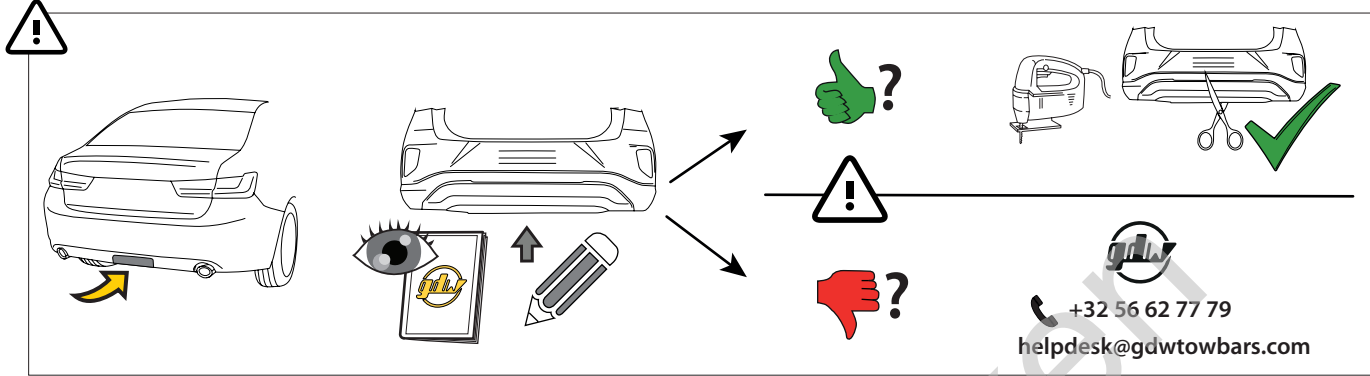
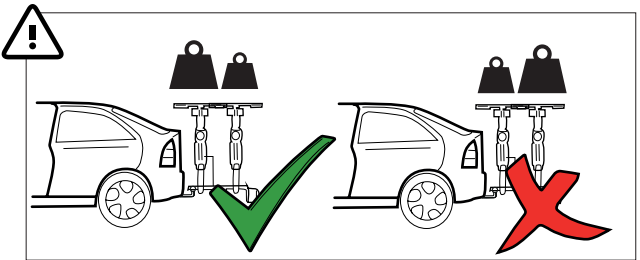
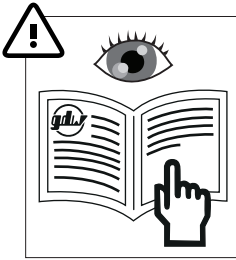
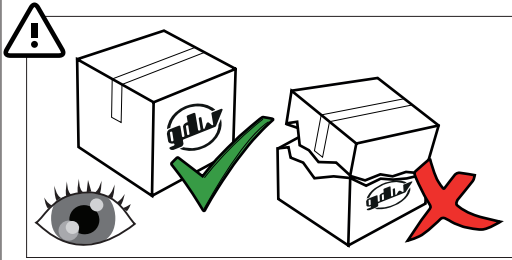
Montagehandleiding | instructions de montage | Einbauanleitung | Mounting instruction  
Instrucciones de montaje | monteringsvejledning | istruzioni di montaggio




## Renault Megane E-tech 11/'21-

- ✓ EQUILIBRE
- ✓ TECHNO
- ✓ ICONIC





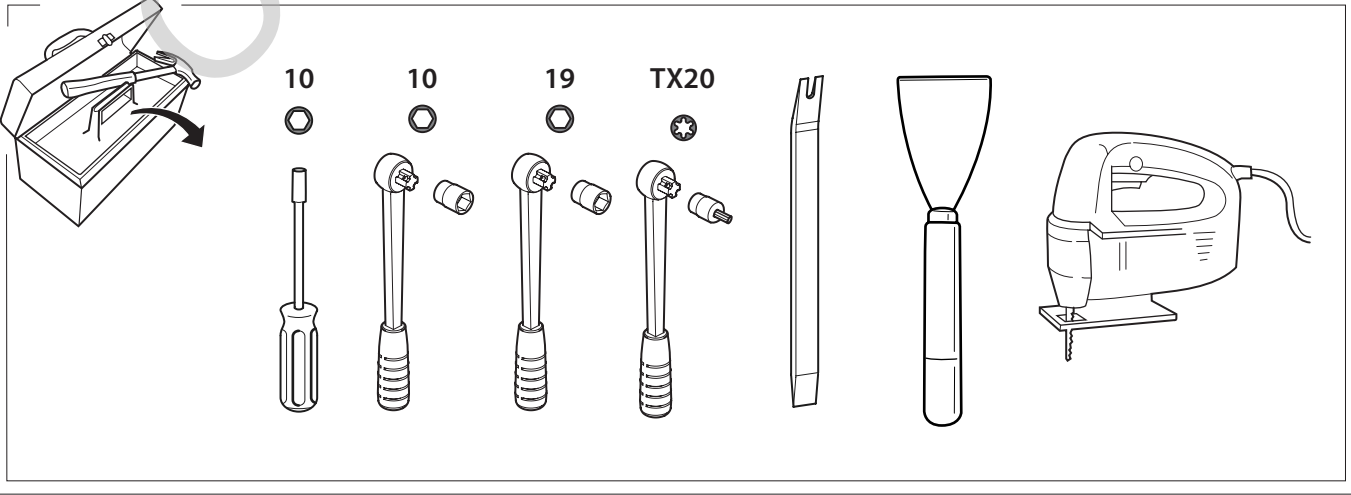
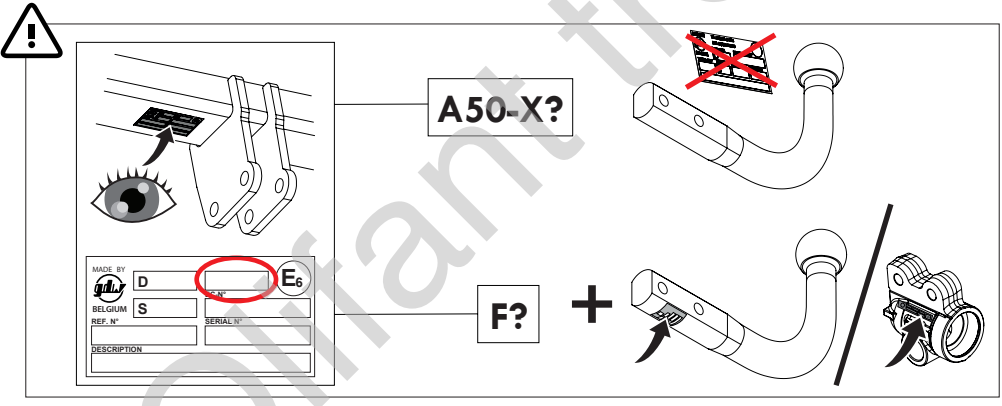
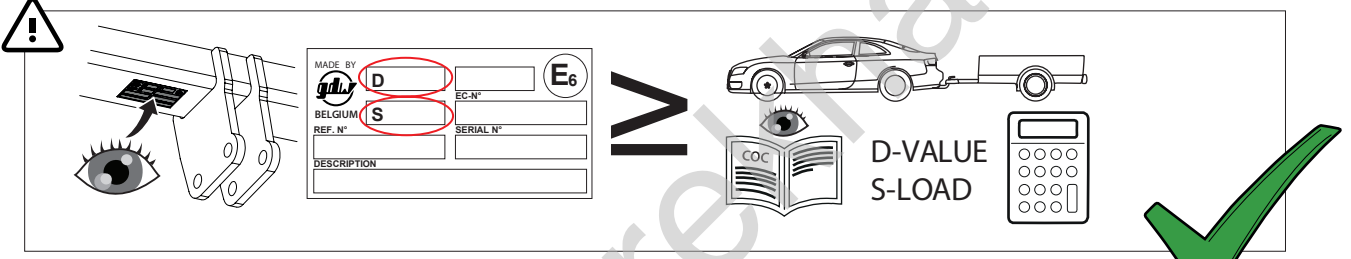
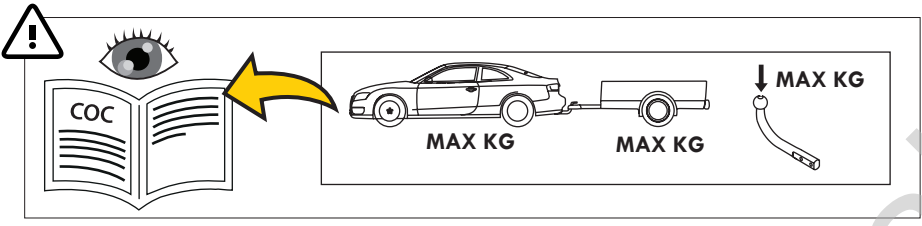
MADE BY 	<b>D 6,80</b>	<b>F</b>	<b>E<sub>6</sub></b>
BELGIUM	<b>S 80</b>	EC-N° 55R-02 1760	
REF N° 2718T60		SERIAL N° XXXX	
<b>DESCRIPTION</b> Renault Megane E-tech			

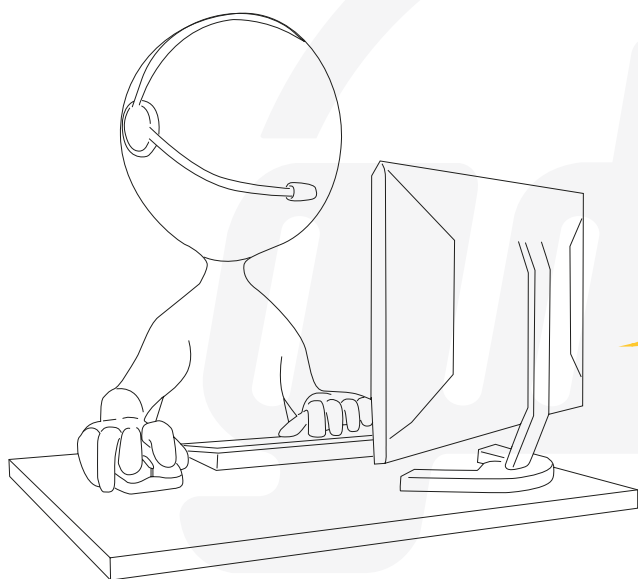
**!**

**D =**  $\frac{\text{max kg (car)} \times \text{max kg (trailer)}}{\text{max kg (car)} + \text{max kg (trailer)}} \times 0.00981 \leq 6,80 \text{ kN}$

**S =**  $\leq 80 \text{ kg}$  **!**  $\leq 1000 \text{ kg}$

**!** See the Certificate Of Conformity (COC) of your vehicle or contact your dealer to verify the max. trailer weight of your car!

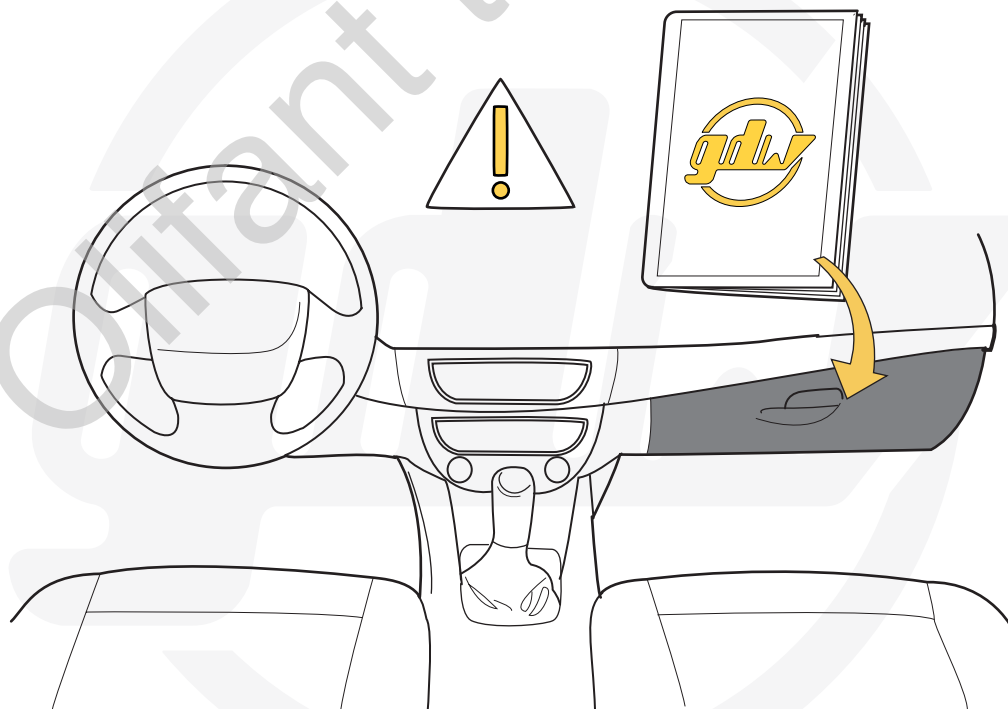


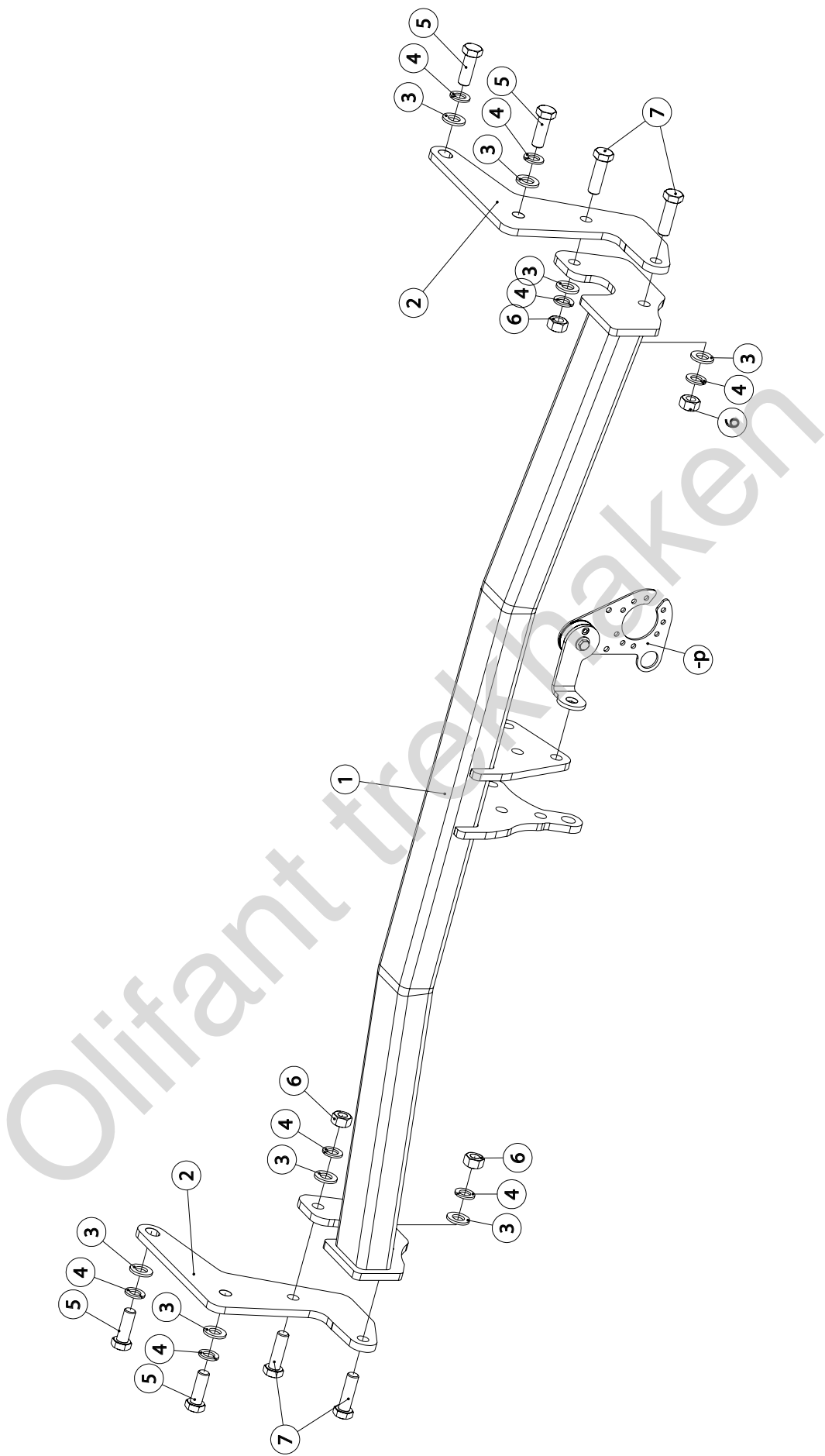


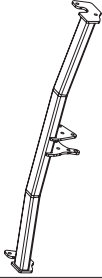
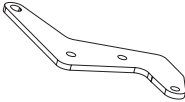




**helpdesk@gdwtowbars.com**

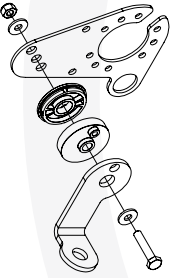




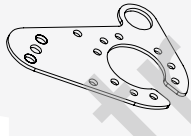


**+32 56 62 77 79**

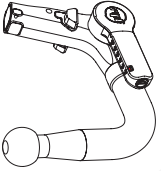

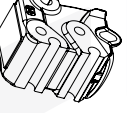


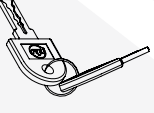

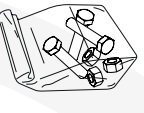



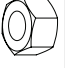
Monday	08:00 - 12:00	12:30 - 16:30
Tuesday	08:00 - 12:00	12:30 - 16:30
Wednesday	08:00 - 12:00	12:30 - 16:30
Thursday	08:00 - 12:00	12:30 - 16:30
Friday	08:00 - 12:00	12:30 - 15:30



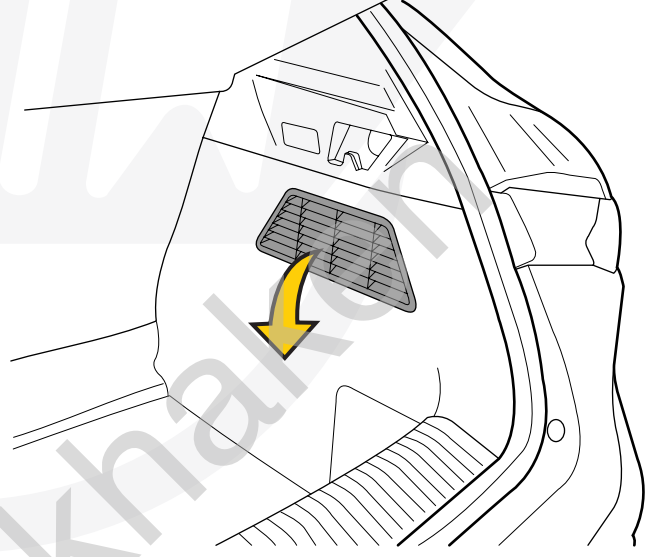
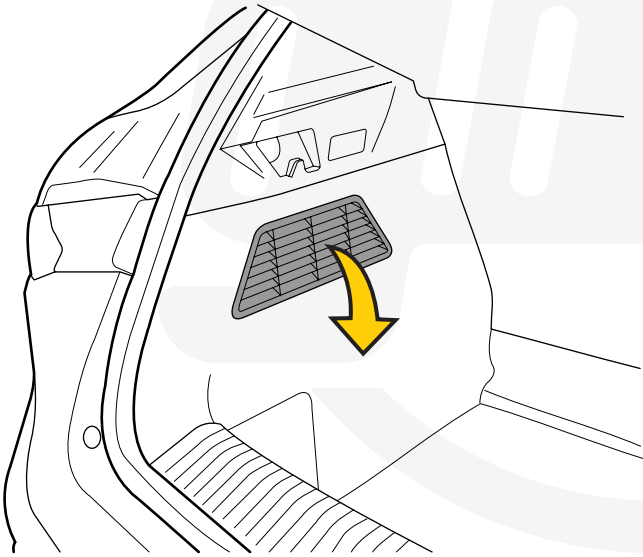
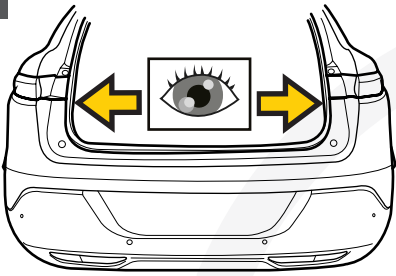


1		X1	GDW REF. 2718T60
2		X2	GDW REF. 2
3		X8	DIN125-A12-140HV-ELVZ
4		X8	DIN128A-M12
5		X4	DIN961-M12X1.25X35
6		X4	DIN934-M12
7		X4	DIN933-M12X40

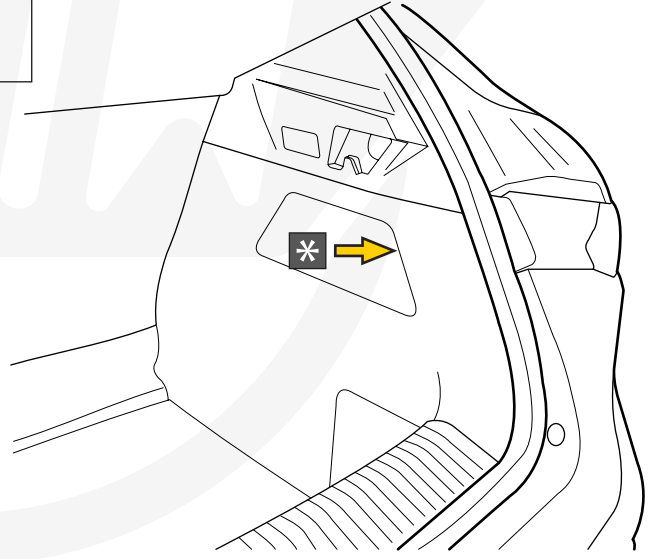
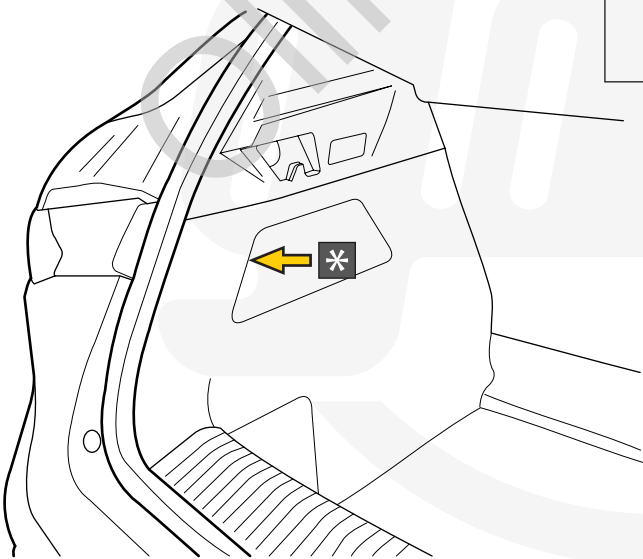
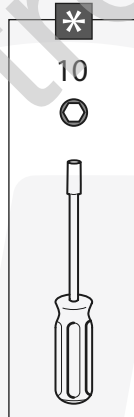
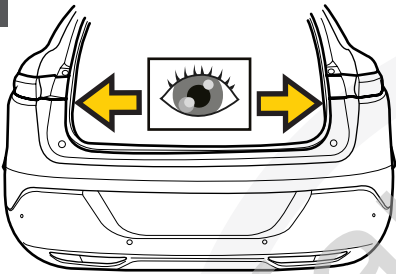
-P		X1	GDW REF. P46
↑		X1	DIN985-M6
↑		X2	6,2 X 15,4 X 1,6 (NYLON)
↑		X1	GDW REF. 718.16.002
↑		X1	GDW REF. 718.16.003
↑		X1	GDW REF. 908.094
↑		X1	DIN933-M6 X 30
↑		X1	GDW REF. 908.101

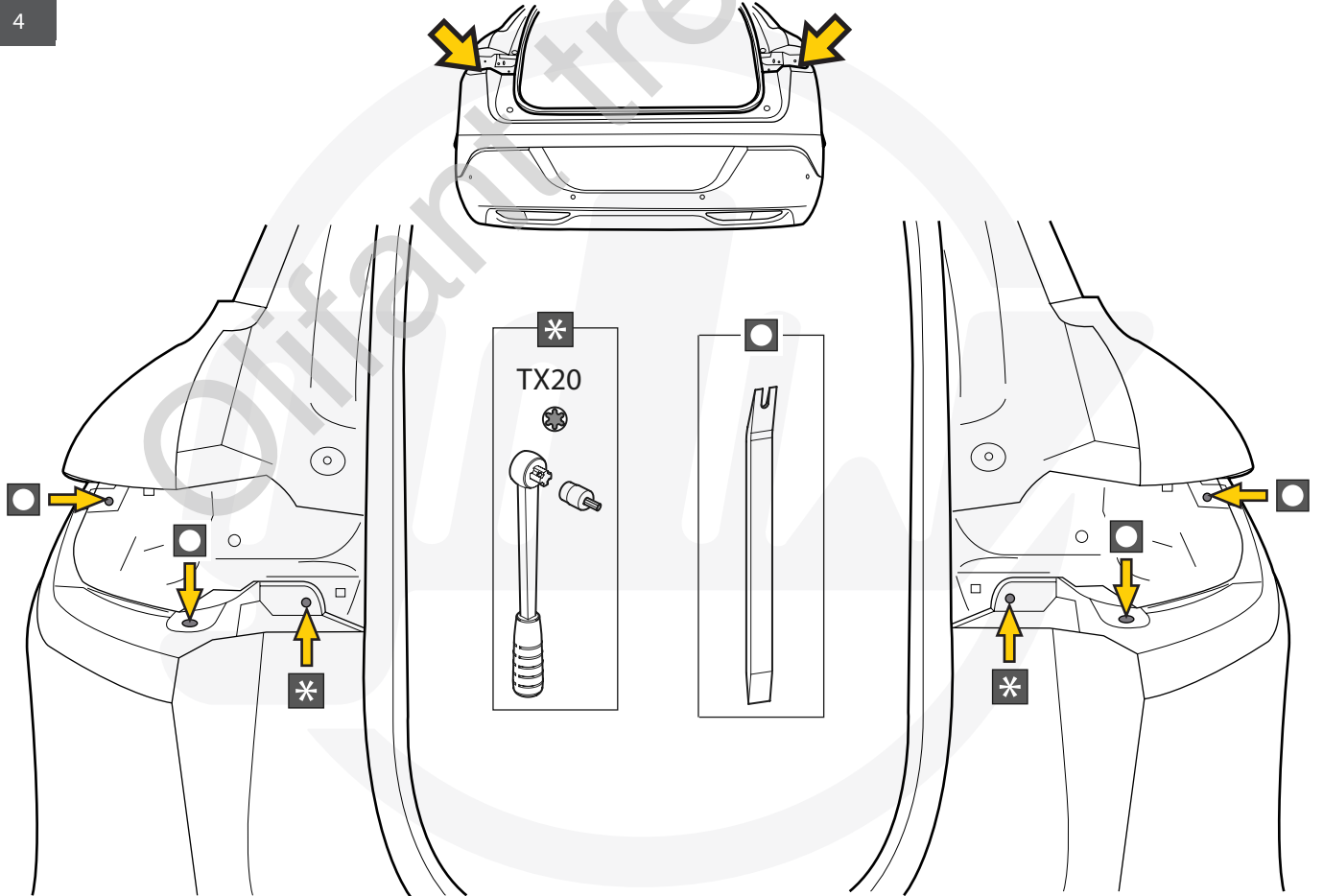
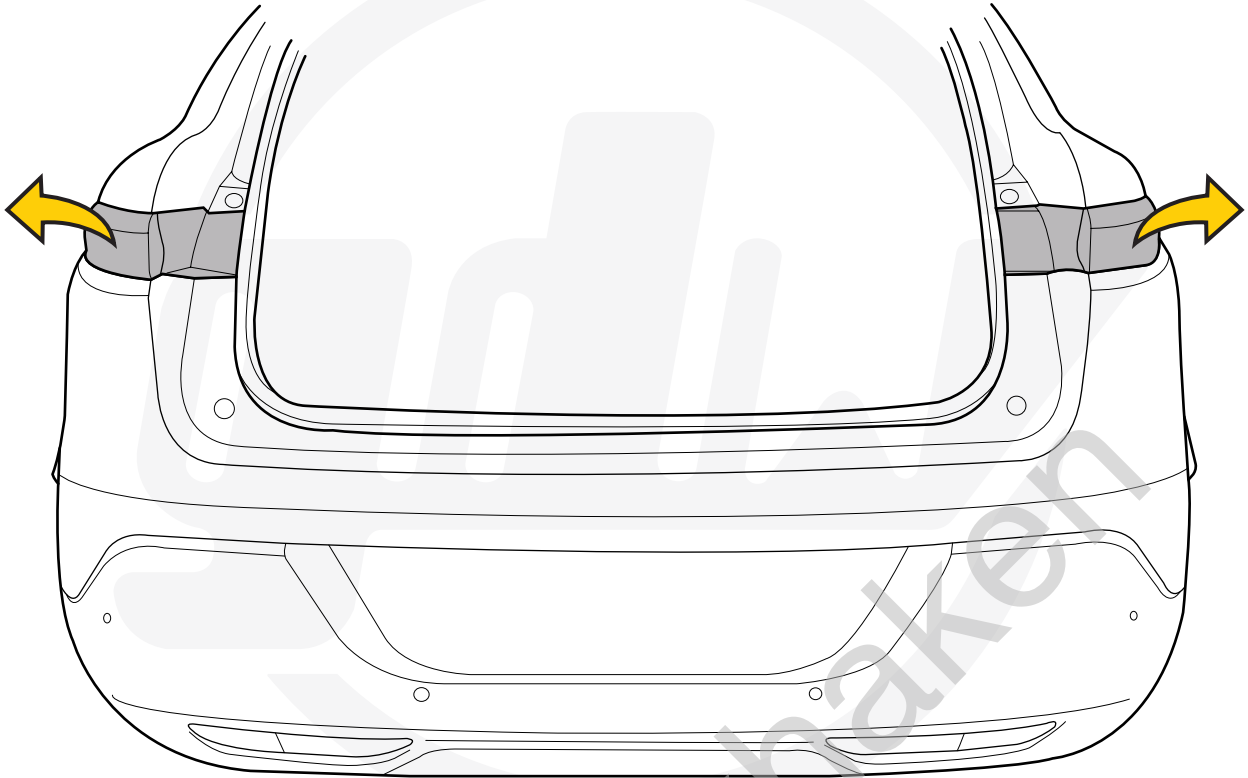
	X1	GDW REF. 960.V1212	Geleverd met - Livré avec - Delivered with Geliefert mit - Elementos adjuntos-Leveres med
	↑		
↑		X1	GDW REF. 912.003
↑		X1	GDW REF. 740.112
↑		X1	GDW REF. 740.111
↑		X1	GDW REF. 740.12X X= LAST NUMBER ON KEY
↑		X1	GDW REF. 718.15.001
↑		X1	GDW REF. SYST60-10
↑		X3	DIN931-M12X110-8.8
↑		X3	DIN128A-M12
↑		X6	DIN125A-M12
↑		X3	DIN934-M12

1

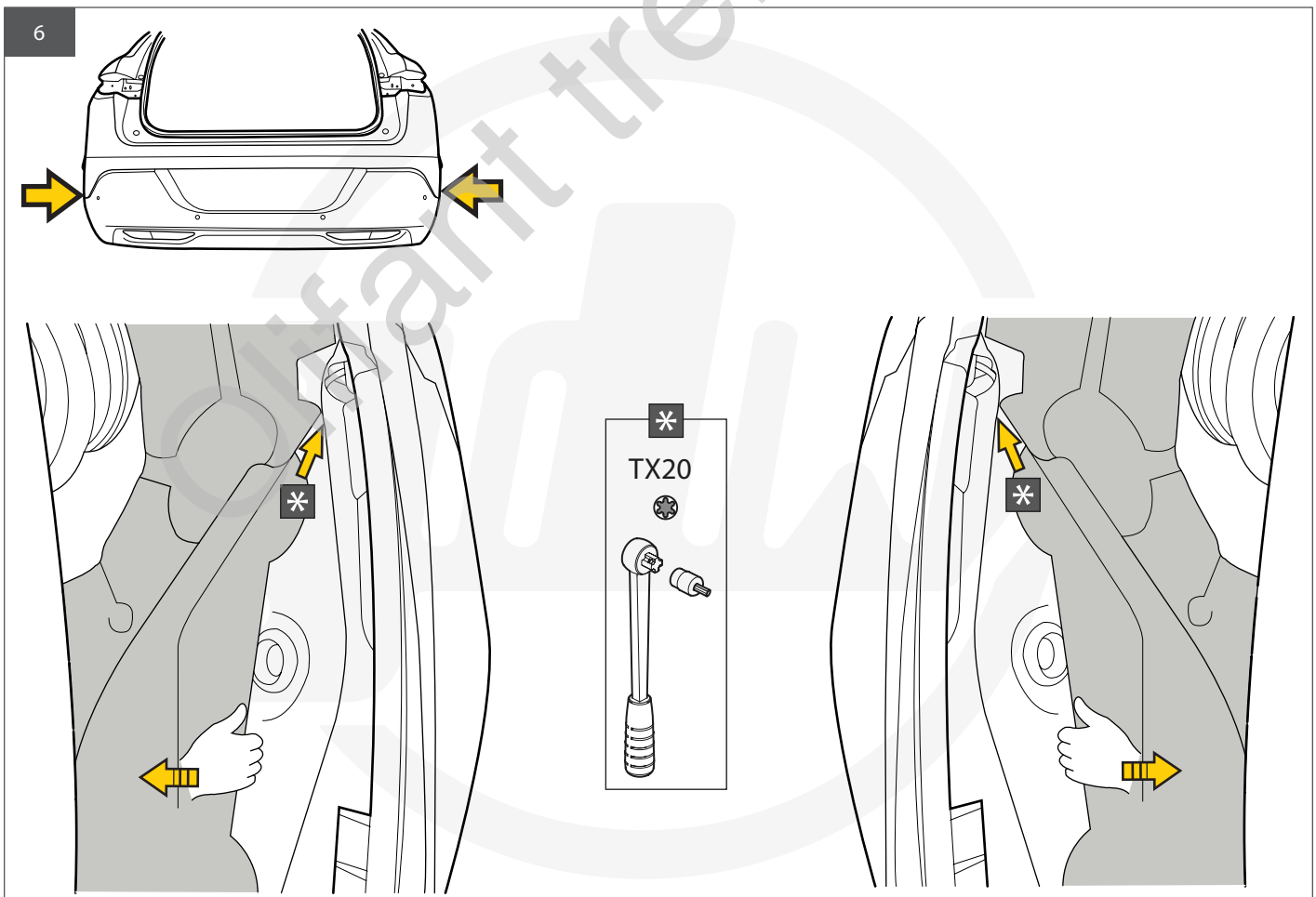
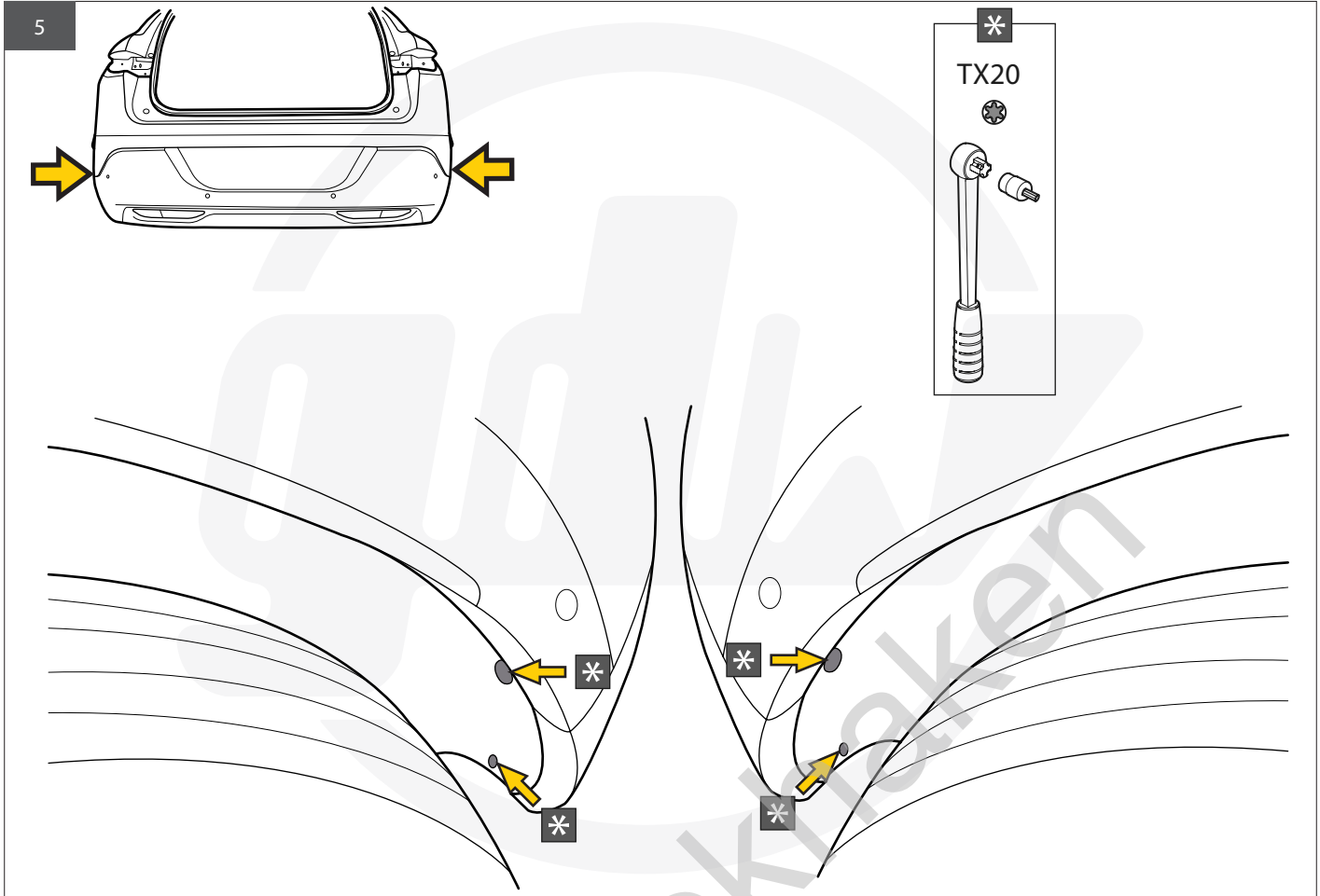


2

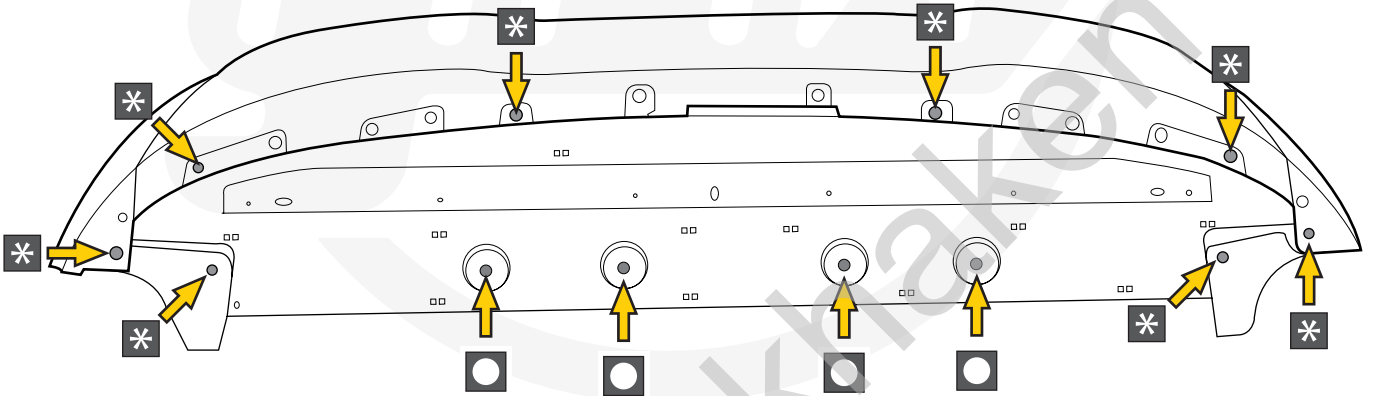
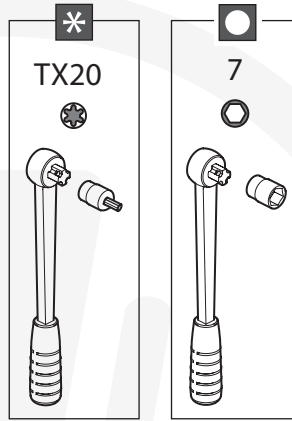
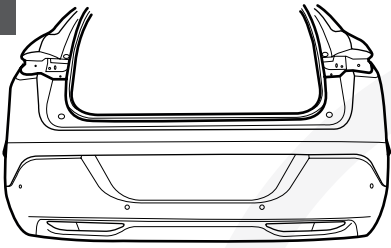




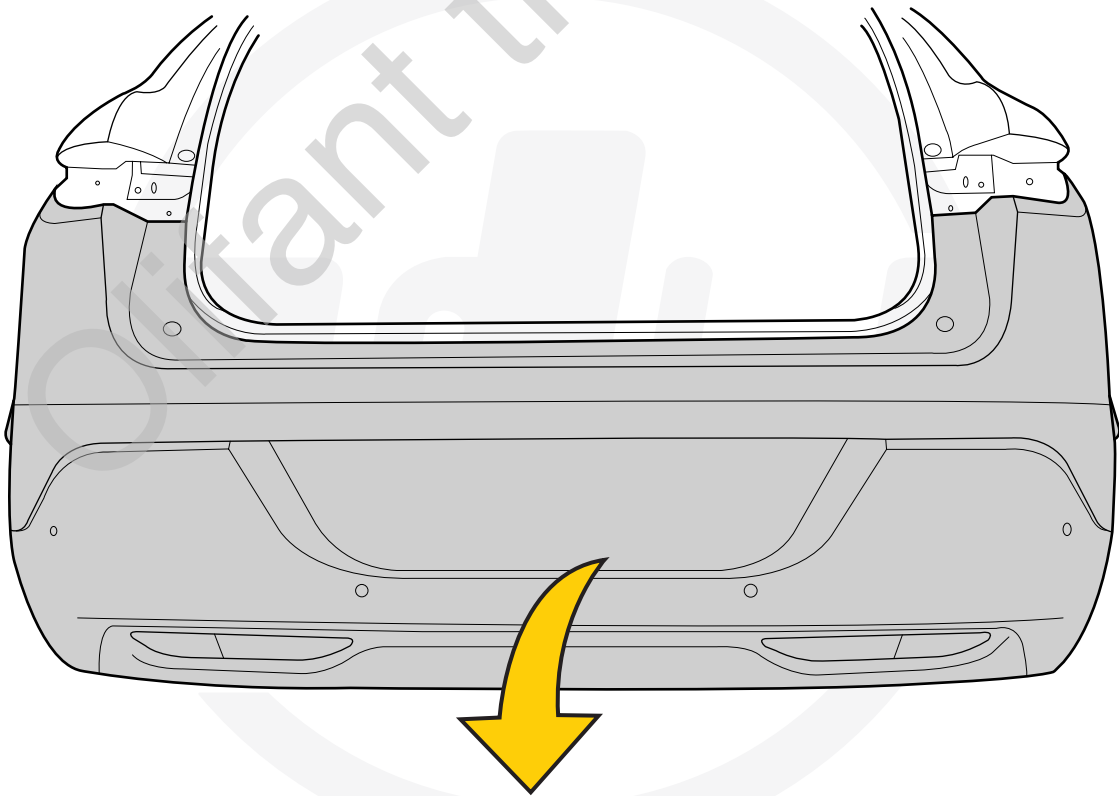




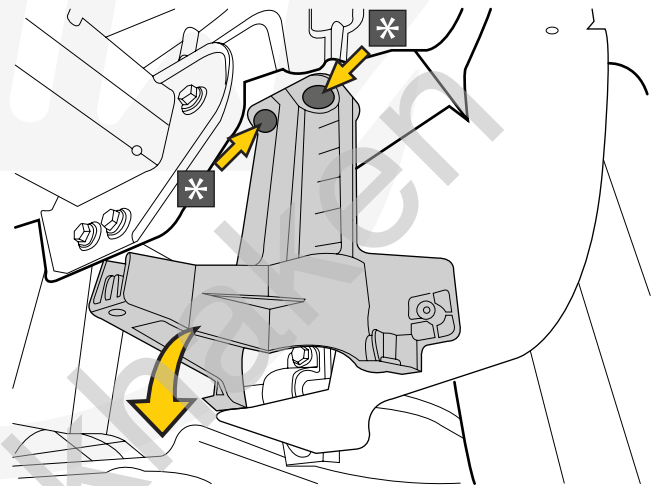
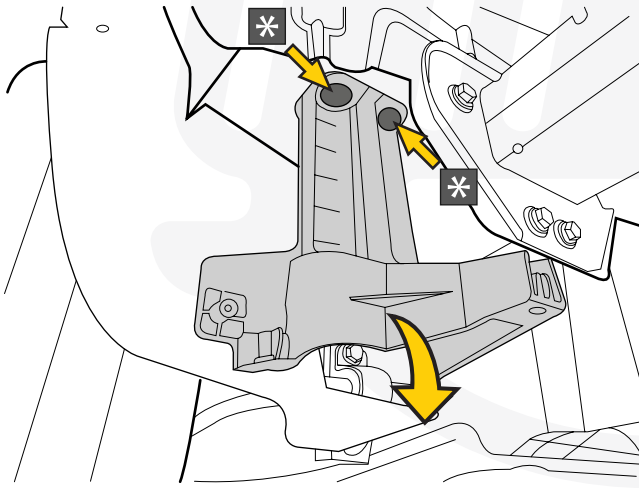
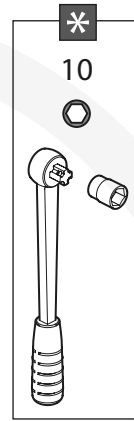
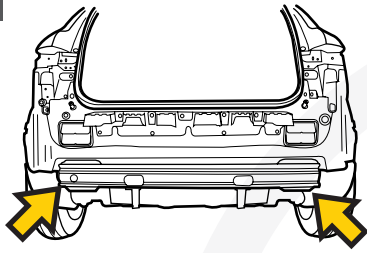
7



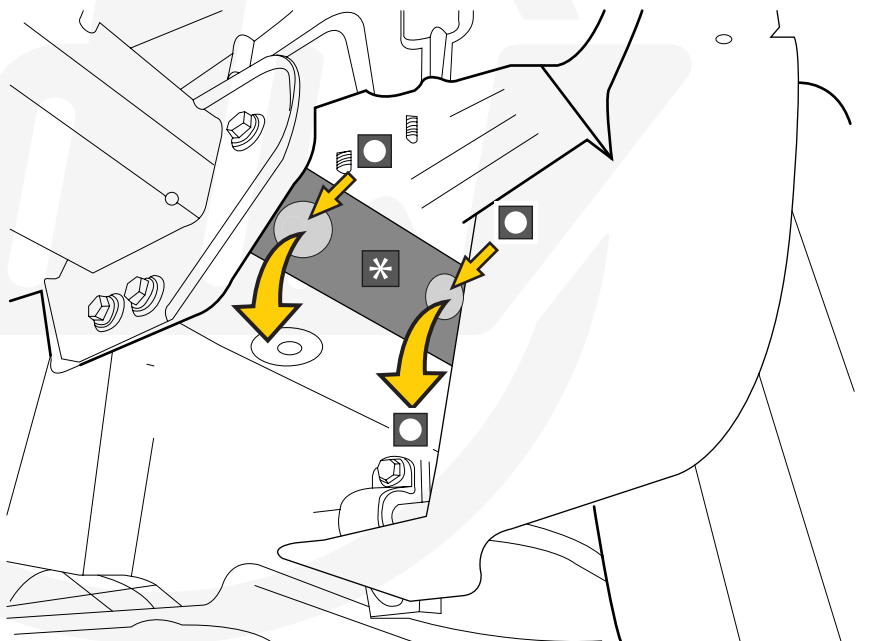
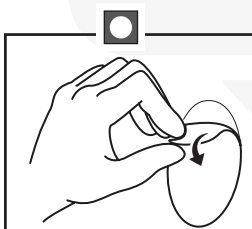
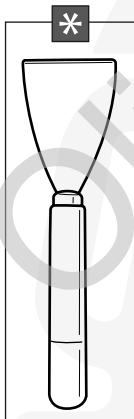
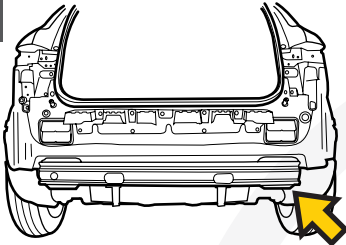
8



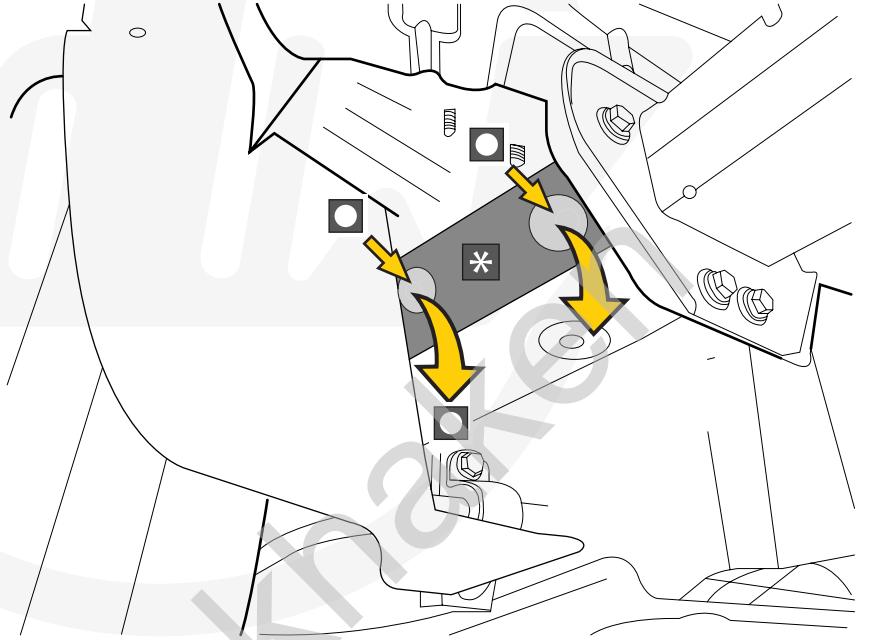
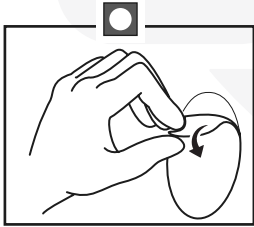
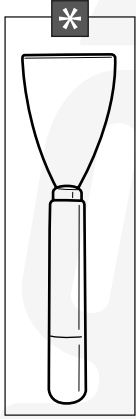
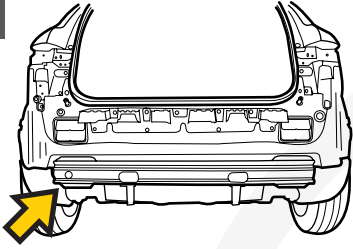
9



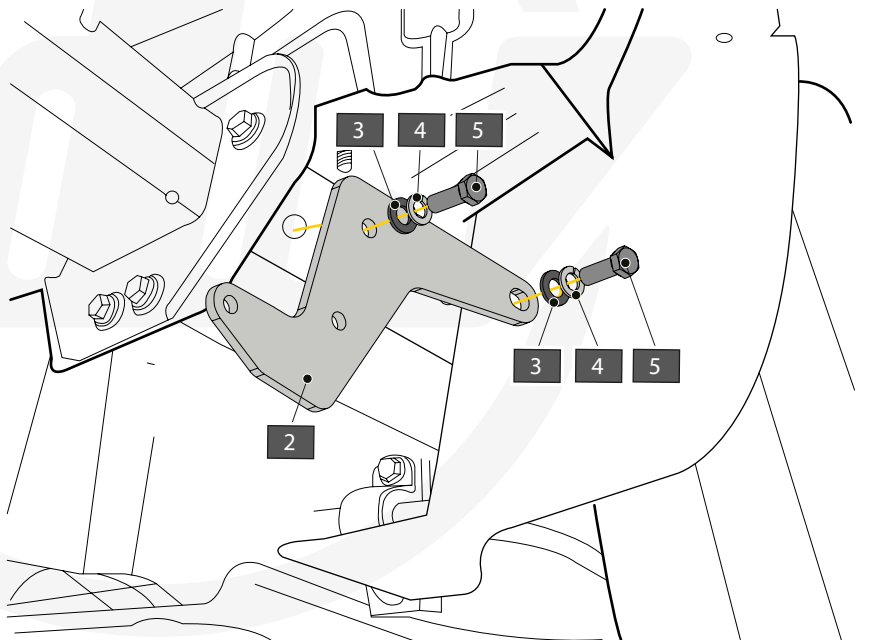
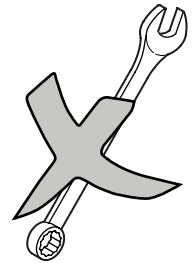
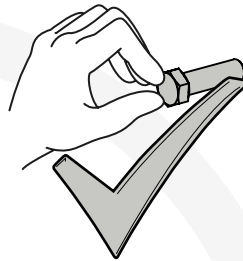
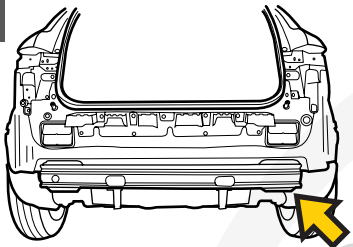
10



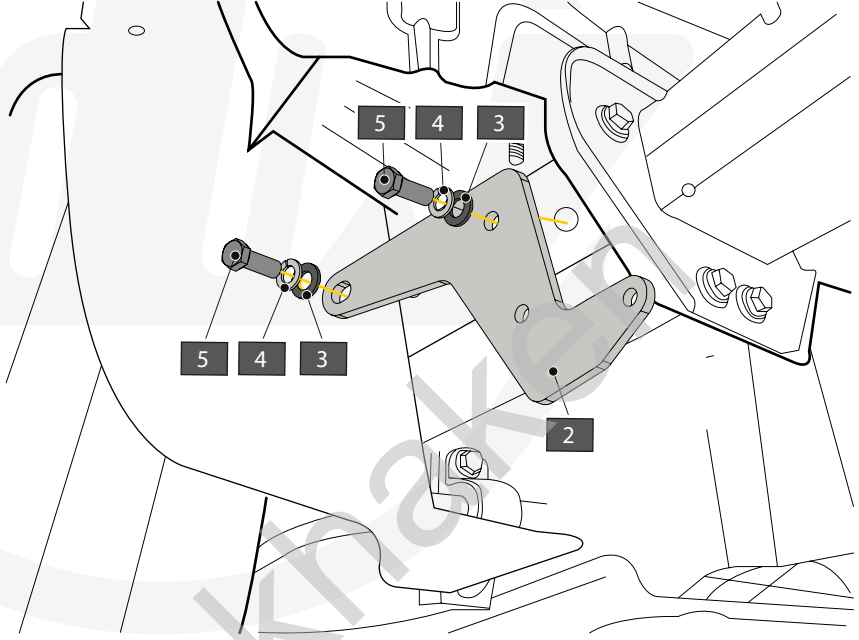
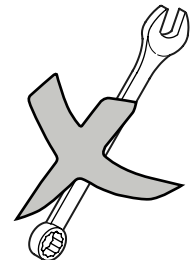
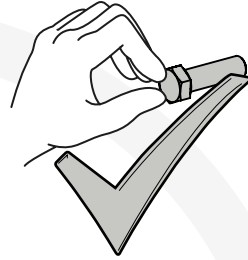
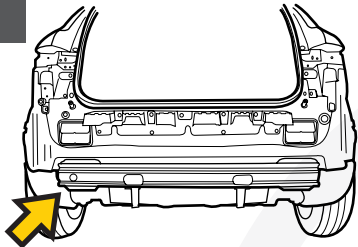
11



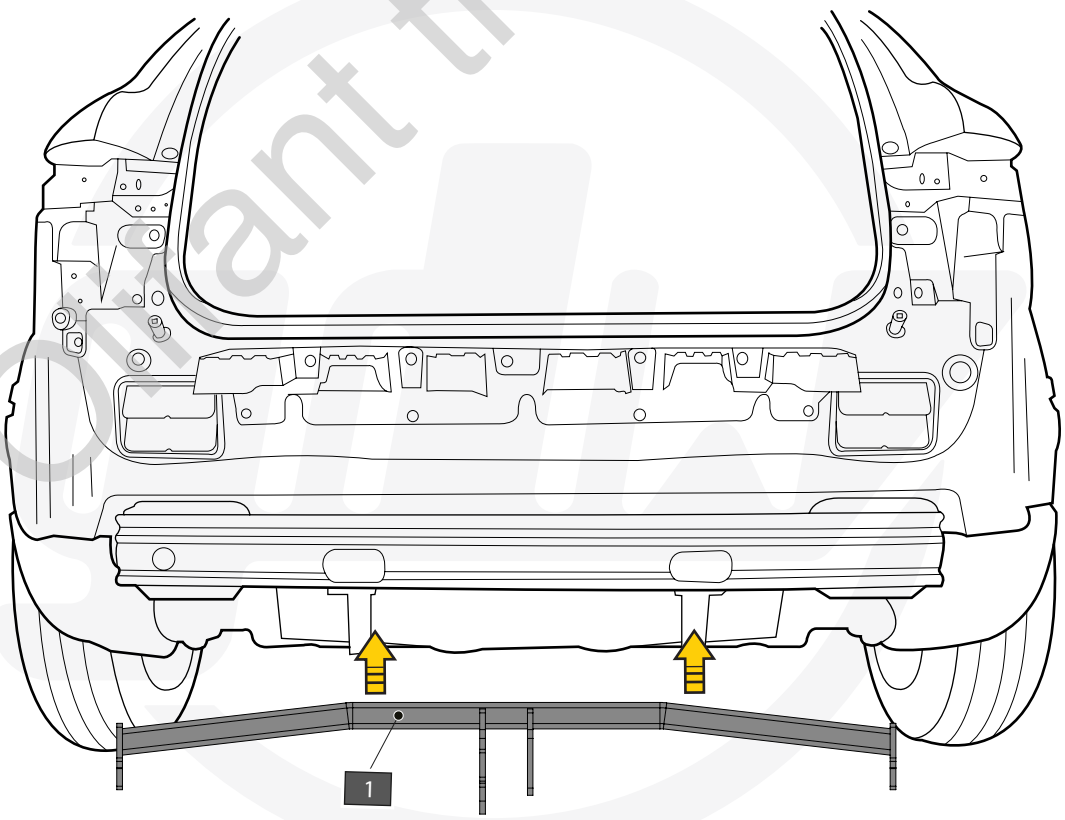
12



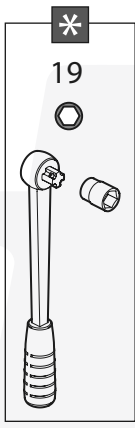
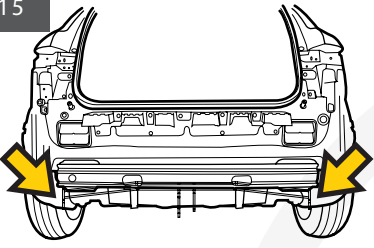
13



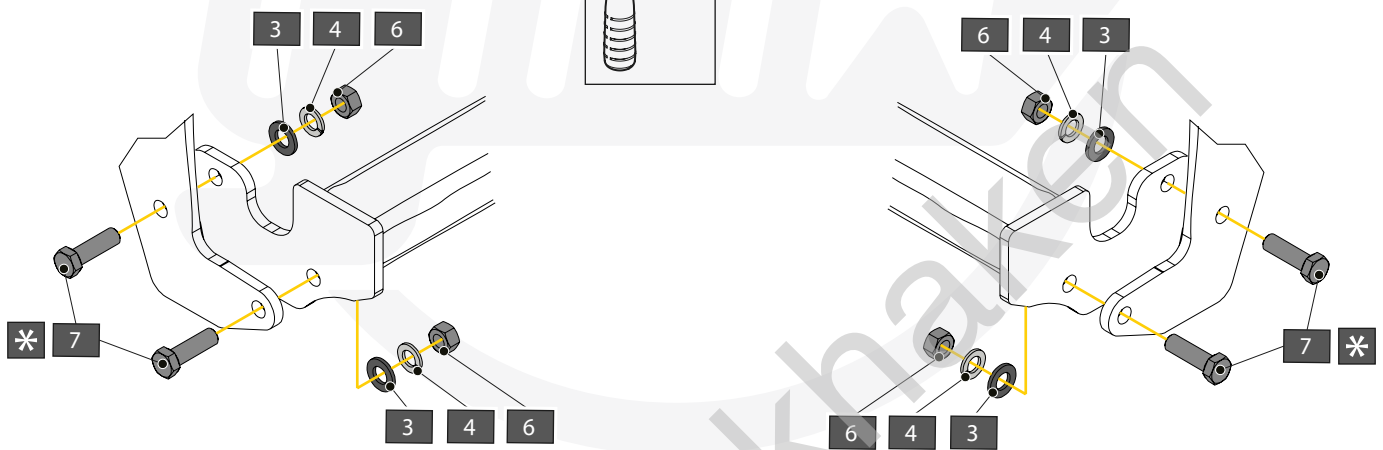
14



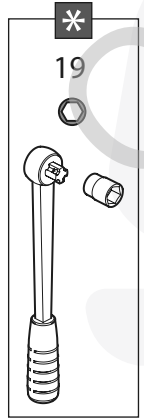
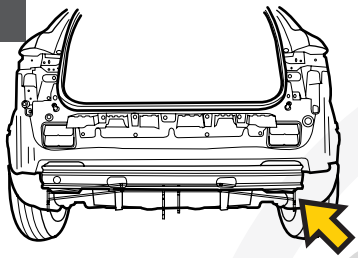
15



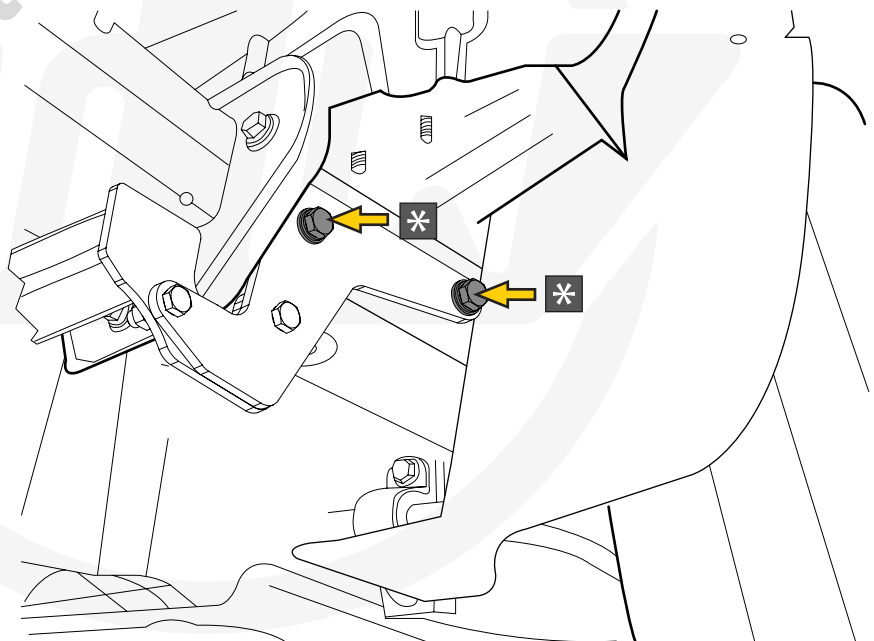
93,0 Nm



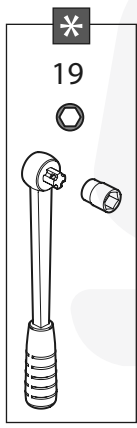
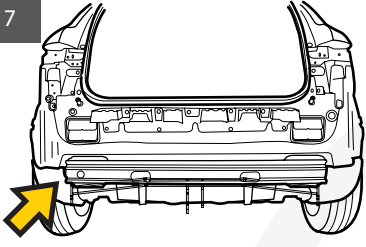
16



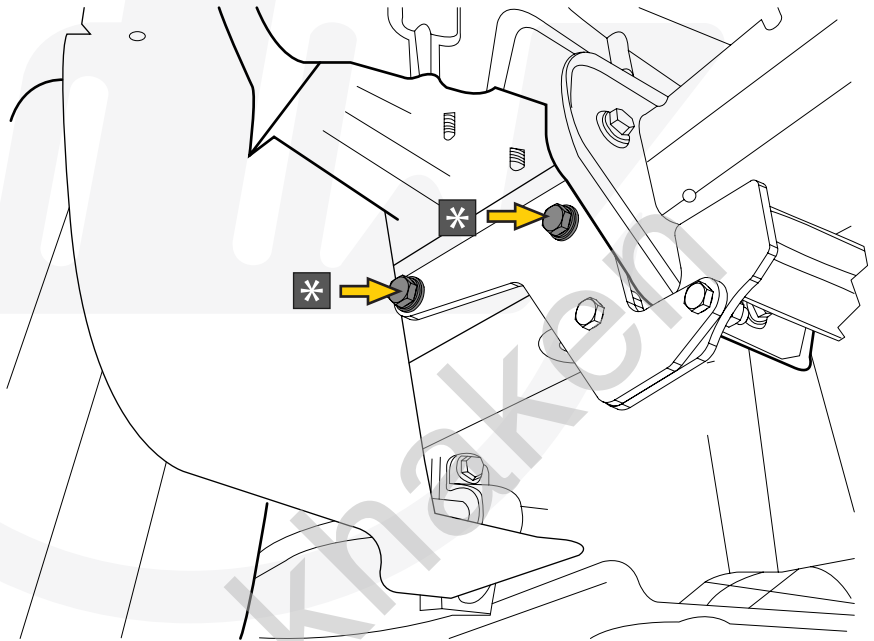
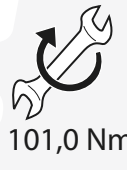
101,0 Nm



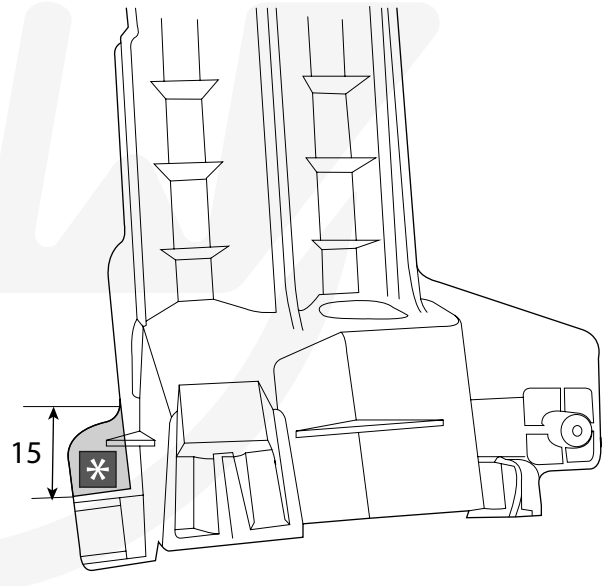
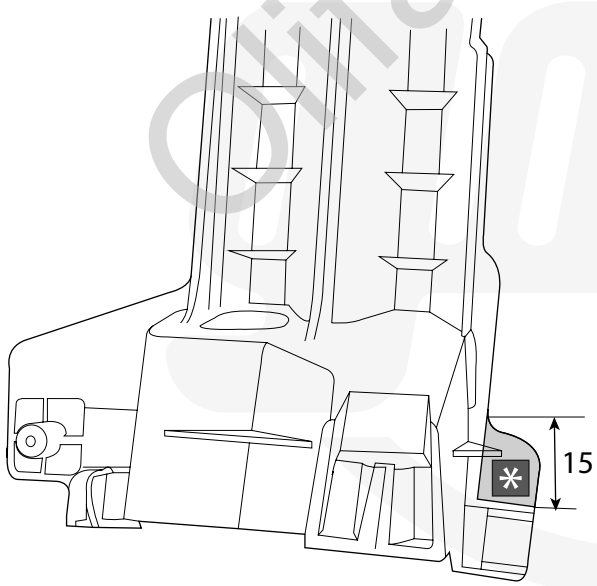
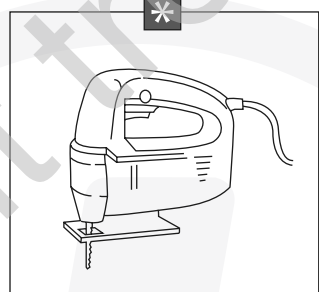
17



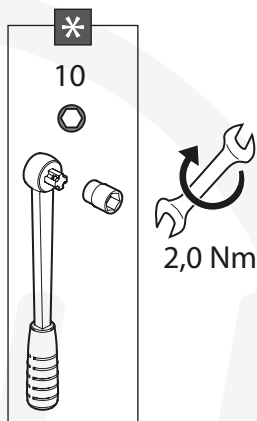
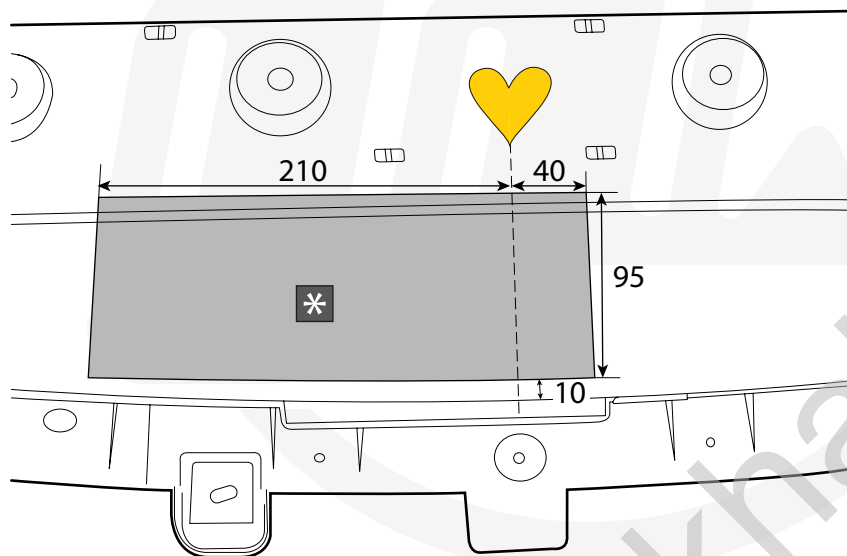
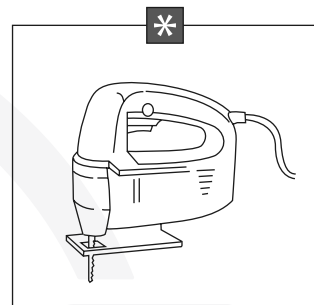
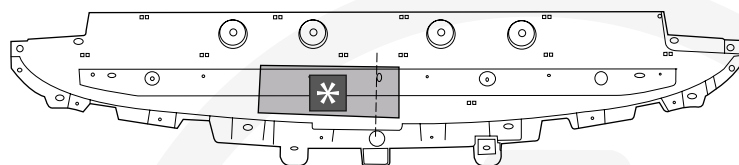
19



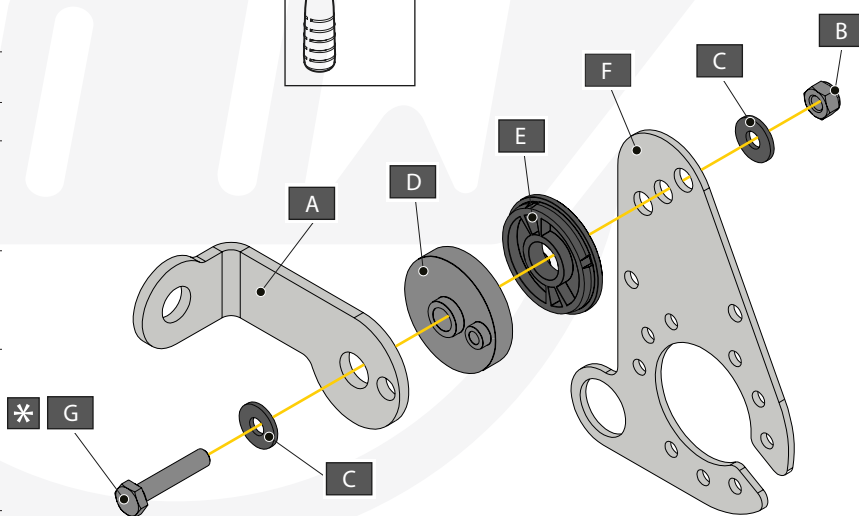
18



16

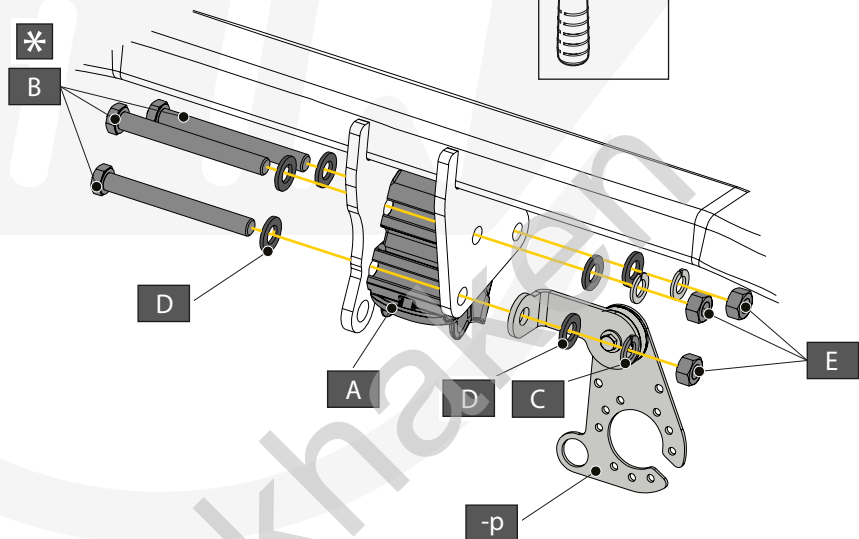
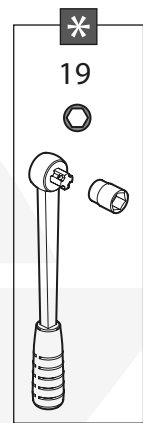
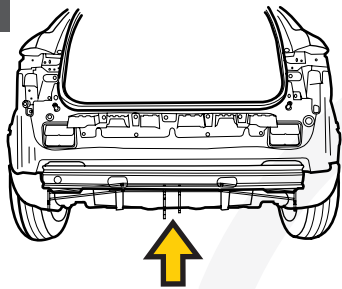


A		X1 GDW REF. 908.101
B		X1 DIN985-M6
C		X2 Ø15,4 X 6,2 X 1,6 (NYLON)
D		X1 GDW REF. 718.16.002
E		X1 GDW REF. 718.16.003
F		X1 GDW REF. 908.094
G		X1 DIN933-M6 X 30





21



A		X1	GDW REF. 912.003
B		X3	DIN931-M12X110-8.8
C		X3	DIN128A-M12
D		X6	DIN125A-M12
E		X3	DIN934-M12

22

