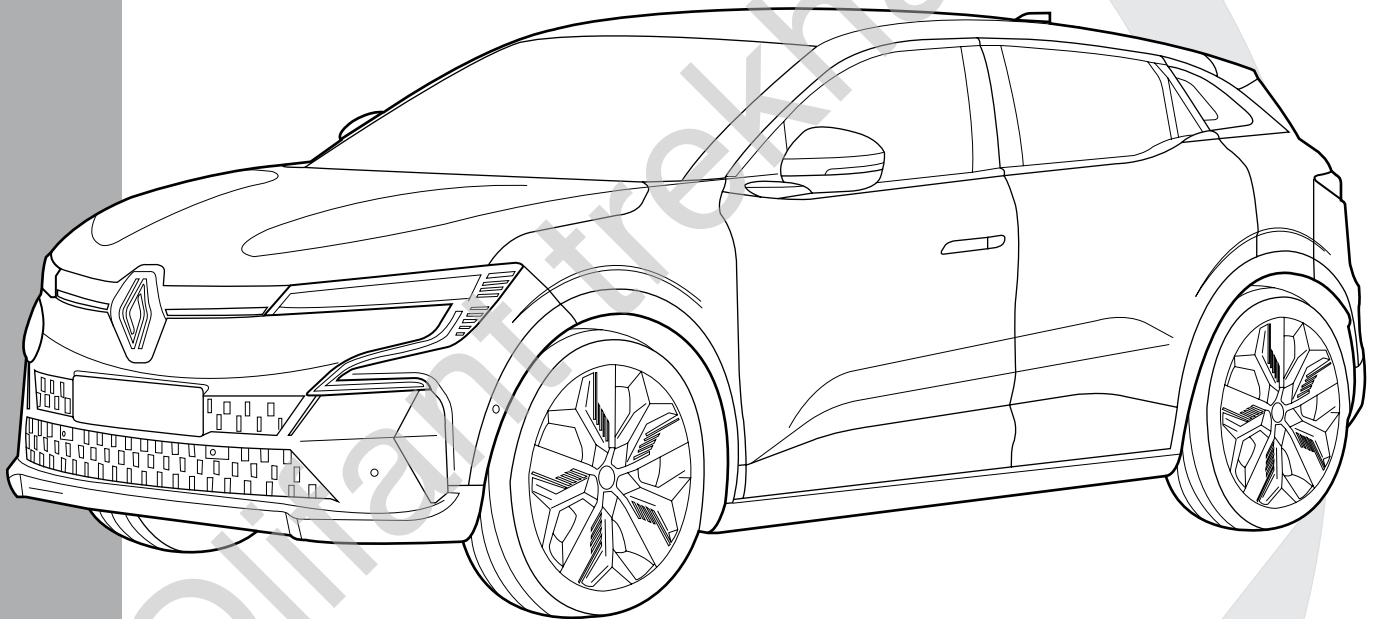


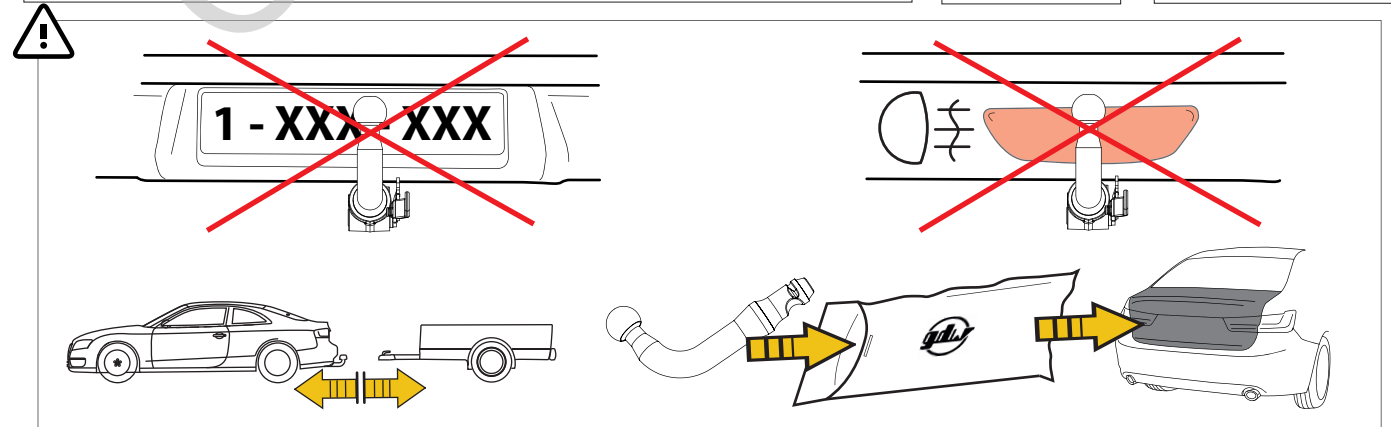
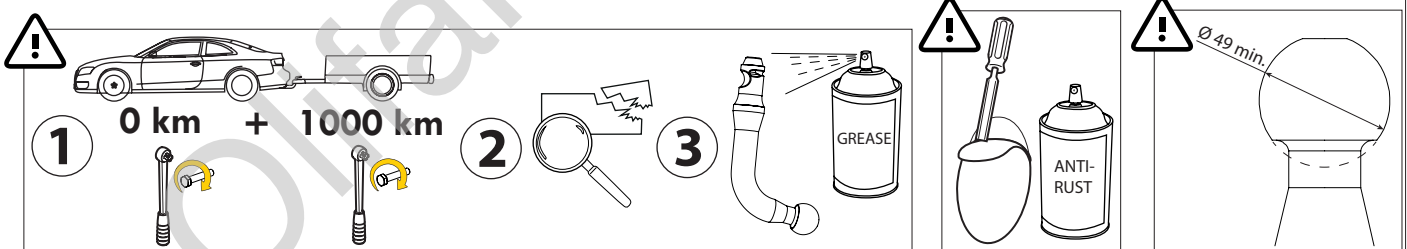
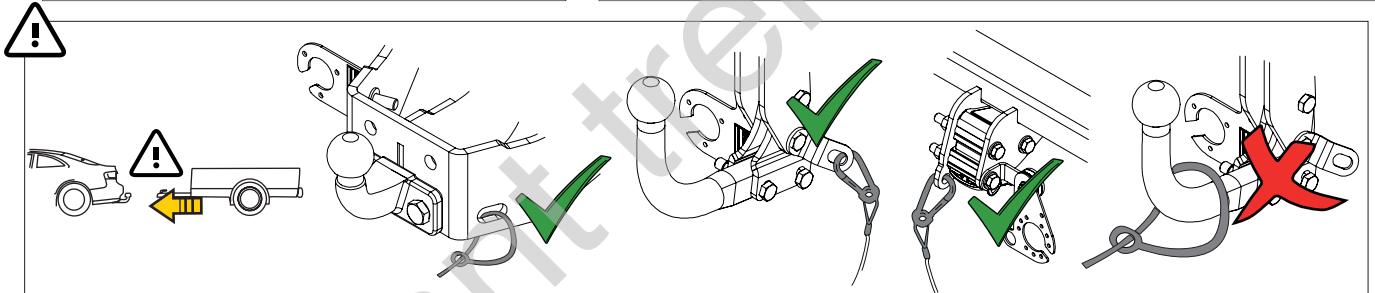
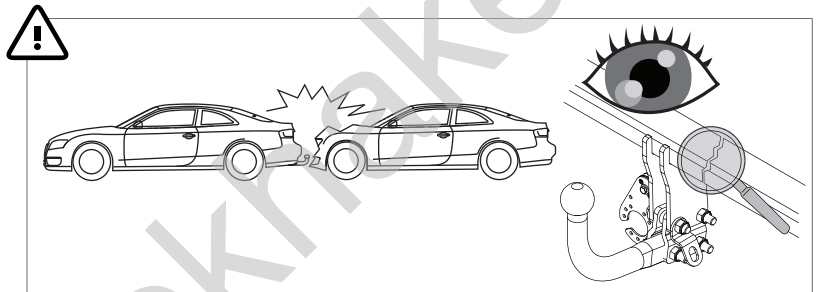
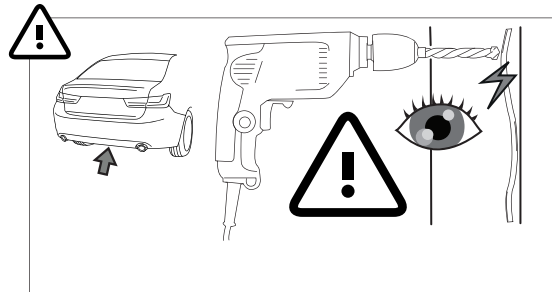
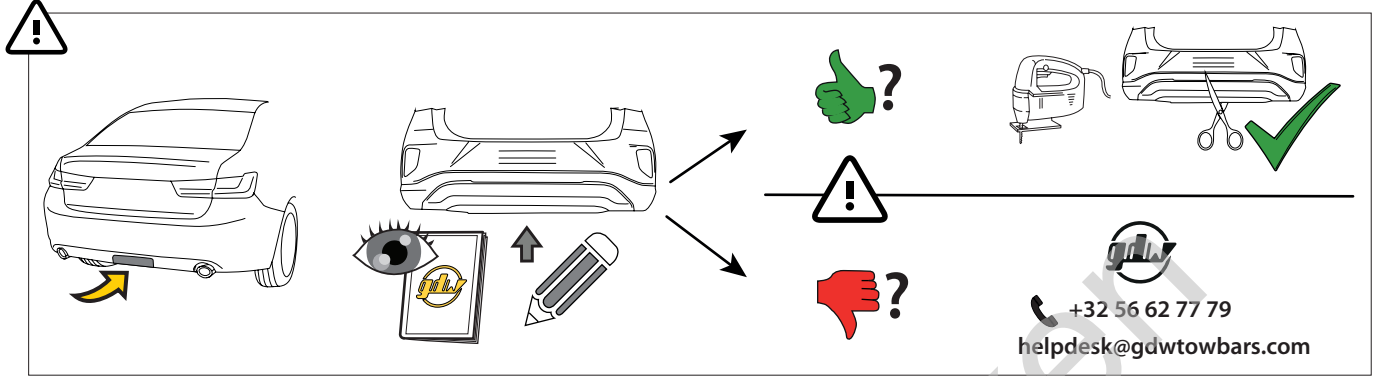
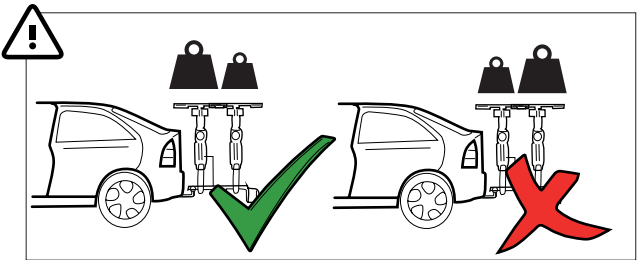
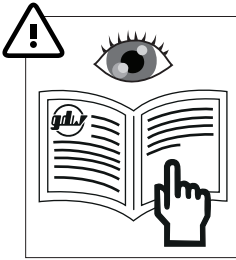
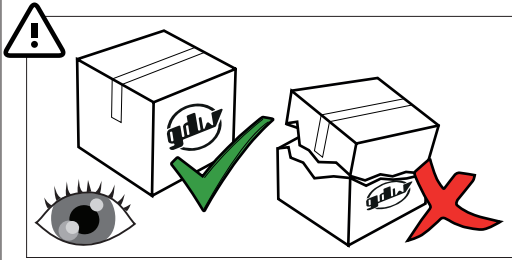



Renault Megane E-tech

11/'21-

- ✓ EQUILIBRE
- ✓ TECHNO
- ✓ ICONIC



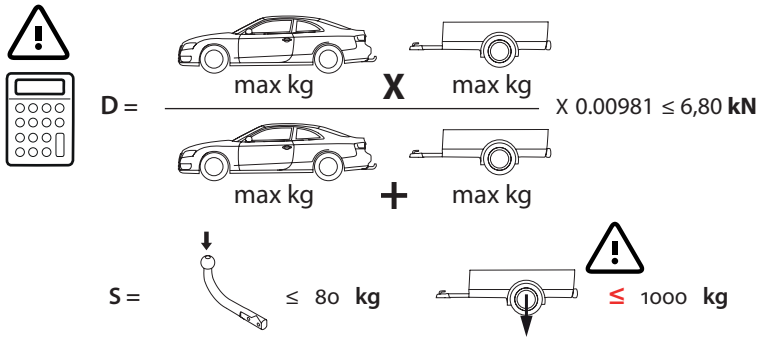


MADE BY 	D 6,80	F	E6
BELGIUM	S 80	EC-N° 55R-02 1760	
REF N° 2717		SERIAL N° XXXX	
DESCRIPTION Renault Megane E-tech			

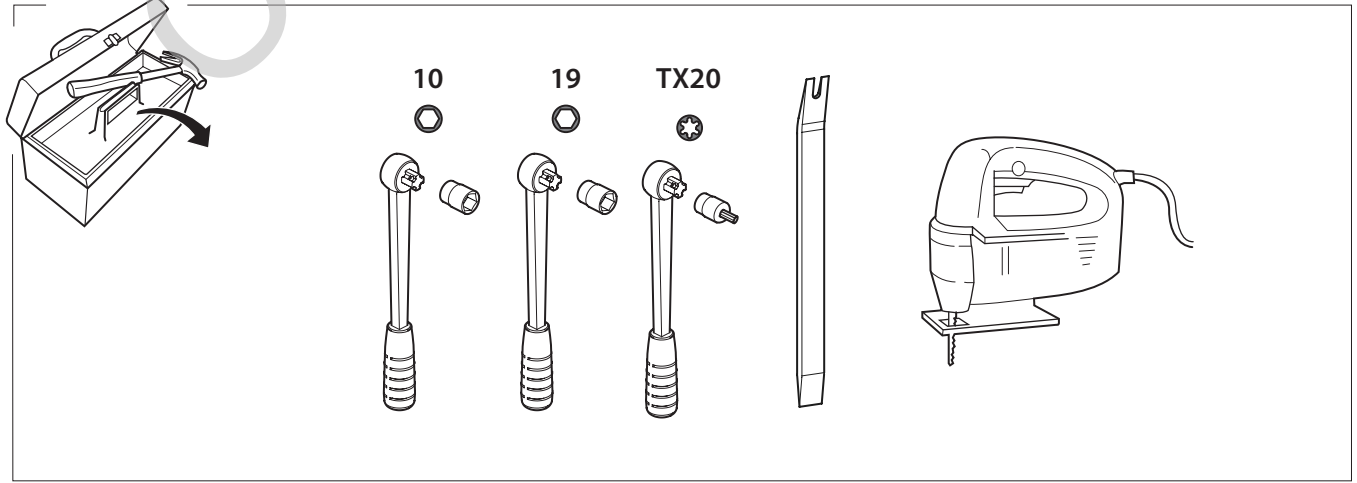
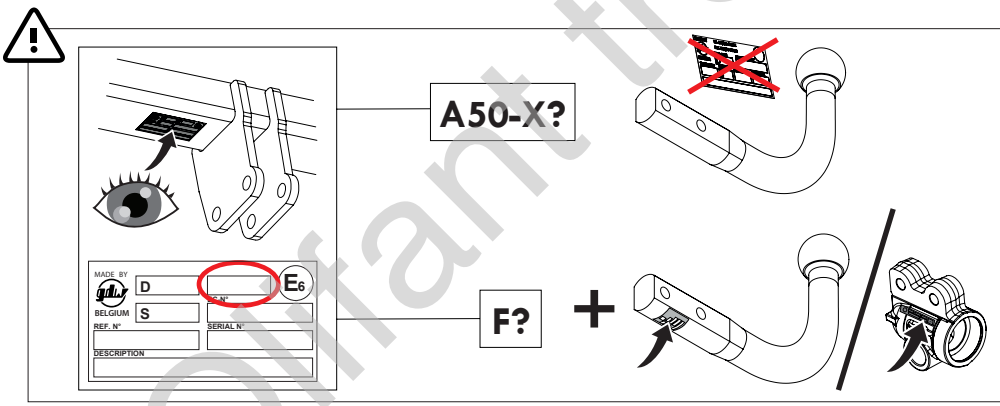
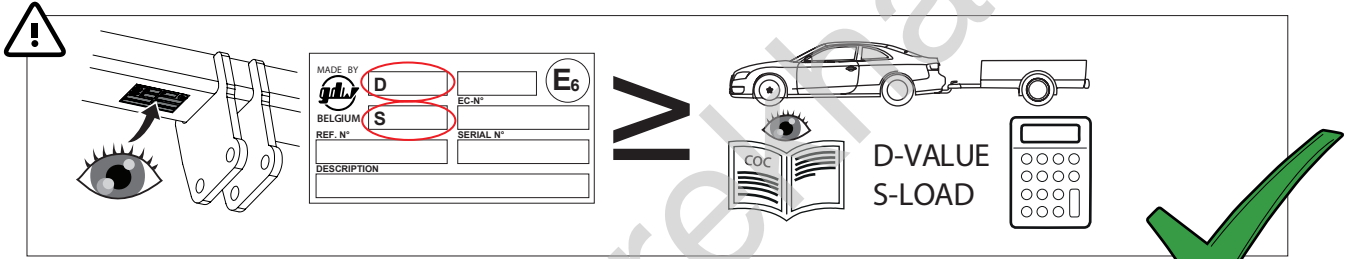
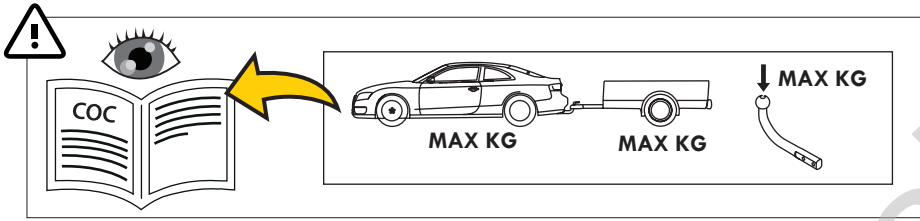
!

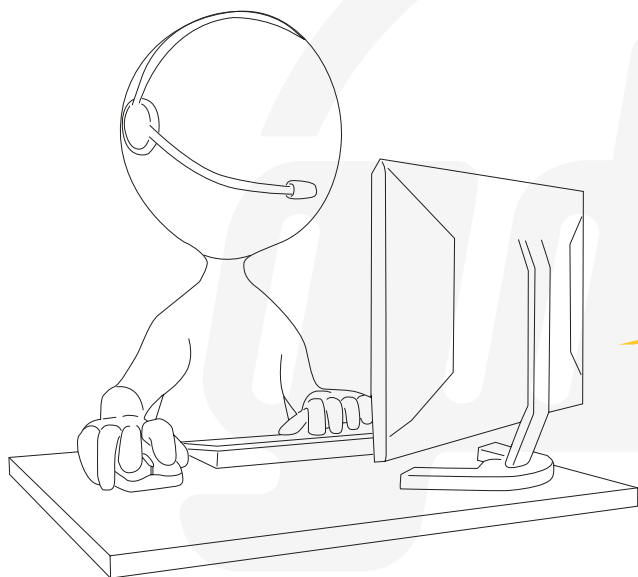
D = $\frac{\text{max kg (car)}}{\text{max kg (trailer)}} \times \text{max kg (trailer)} \times 0.00981 \leq 6,80 \text{ kN}$

S = $\leq 80 \text{ kg}$ **!** $\leq 1000 \text{ kg}$



! See the Certificate Of Conformity (COC) of your vehicle or contact your dealer to verify the max. trailer weight of your car!

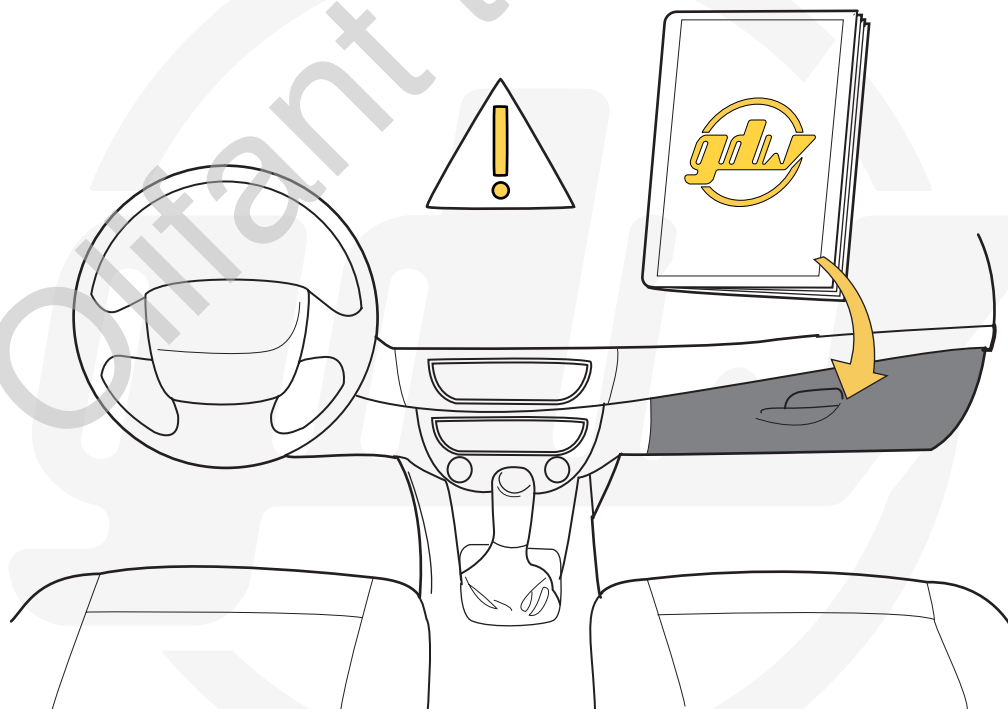


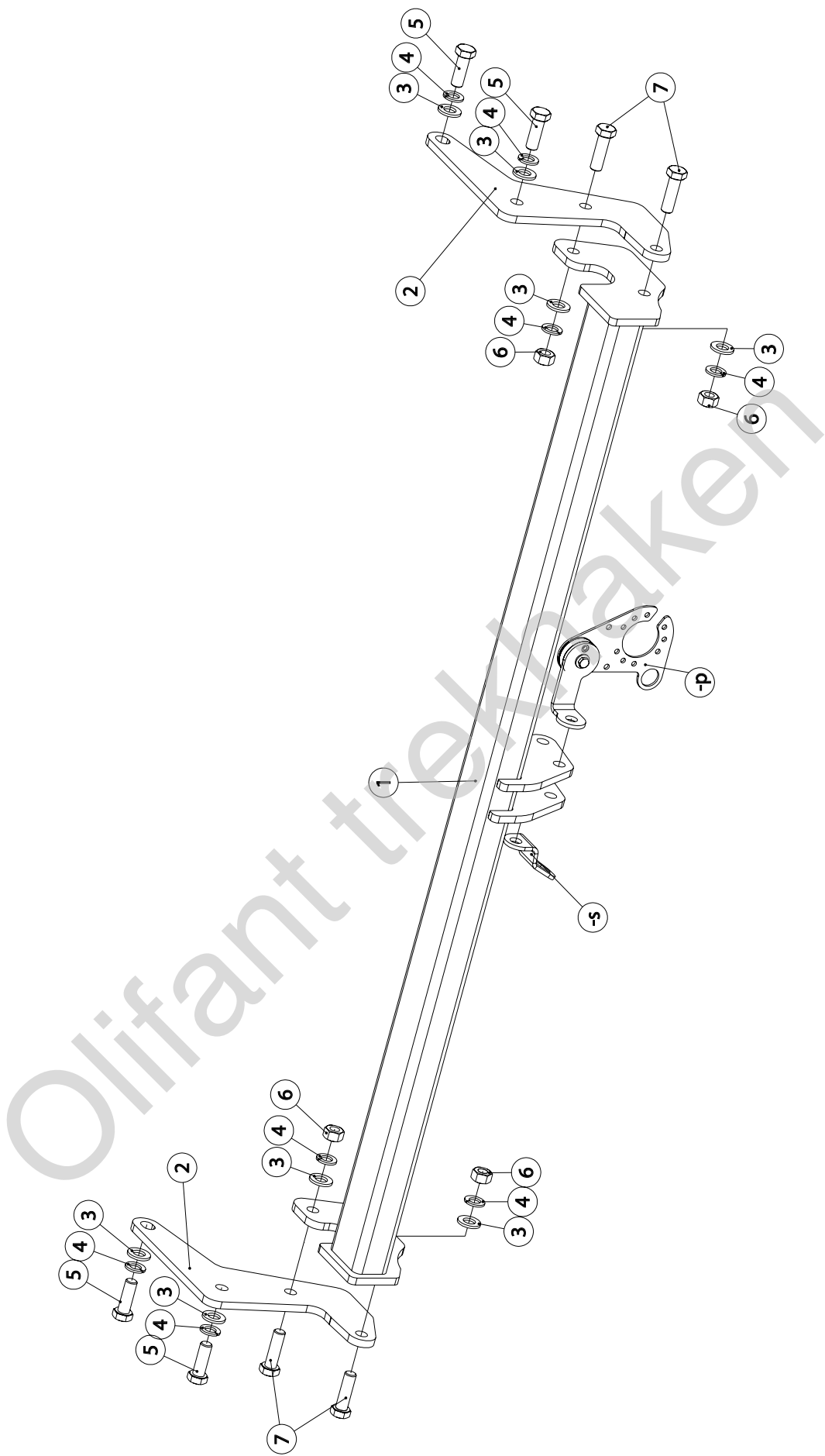


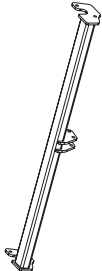
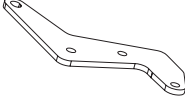






helpdesk@gdwtowbars.com

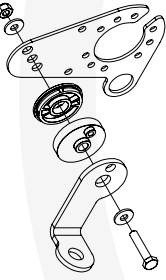




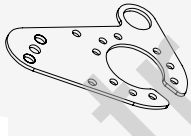


+32 56 62 77 79

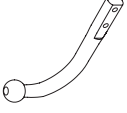




Monday	08:00 - 12:00	12:30 - 16:30
Tuesday	08:00 - 12:00	12:30 - 16:30
Wednesday	08:00 - 12:00	12:30 - 16:30
Thursday	08:00 - 12:00	12:30 - 16:30
Friday	08:00 - 12:00	12:30 - 15:30






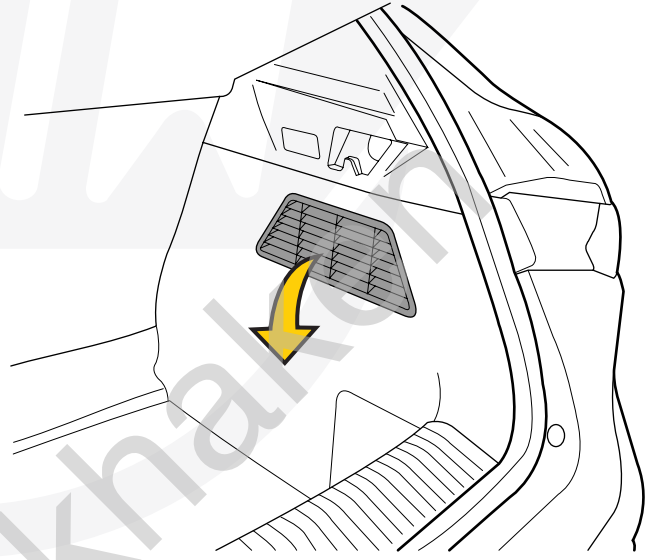
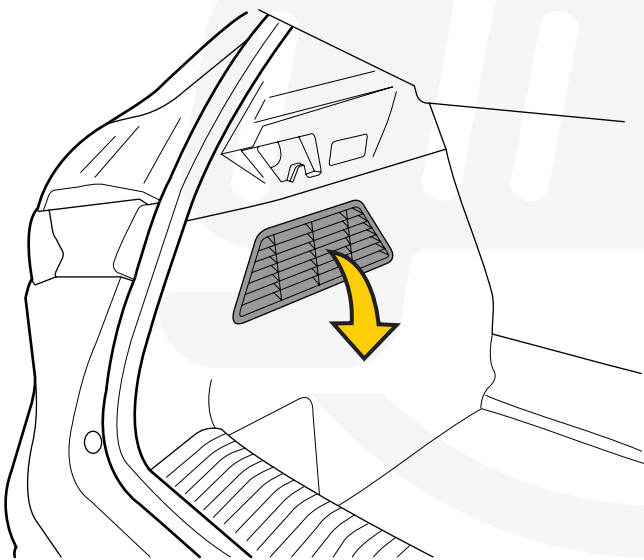
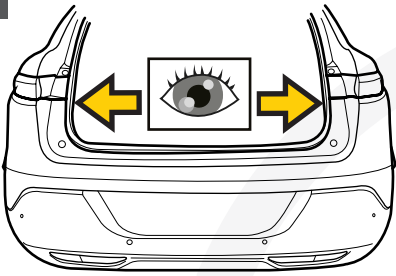
1		X1	GDW REF. 2717
2		X2	GDW REF. 2
3		X8	DIN125-A12-140HV-ELVZ
4		X8	DIN128A-M12
5		X4	DIN961-M12X1.25X35
6		X4	DIN934-M12
7		X4	DIN933-M12X40
-5		X1	GDW REF. 900.053

-P		X1	GDW REF. P46
↑		X1	DIN985-M6
↑		X2	6,2 X 15,4 X 1,6 (NYLON)
↑		X1	GDW REF. 718.16.002
↑		X1	GDW REF. 718.16.003
↑		X1	GDW REF. 908.094
↑		X1	DIN933-M6 X 30
↑		X1	GDW REF. 908.101

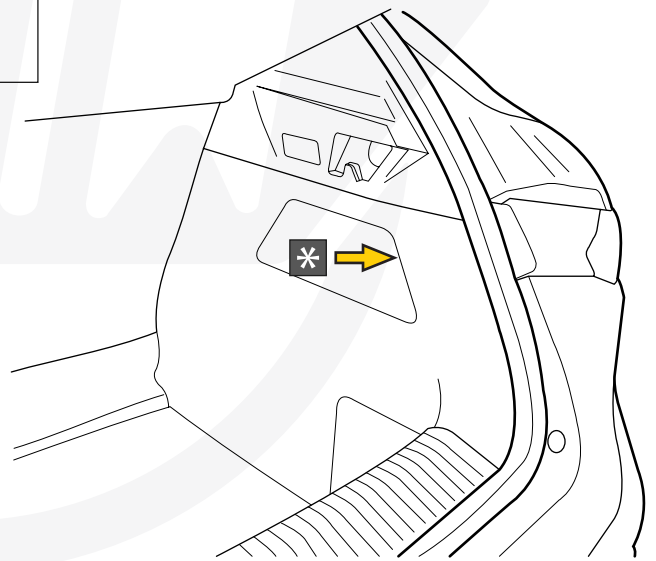
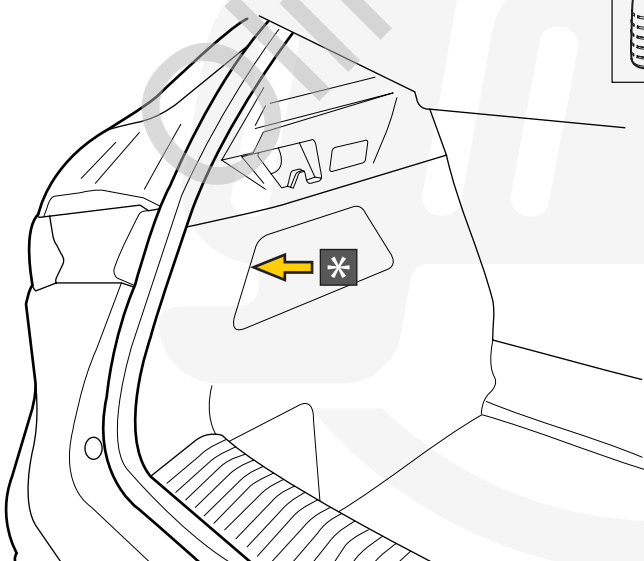
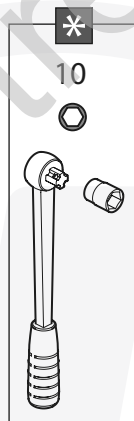
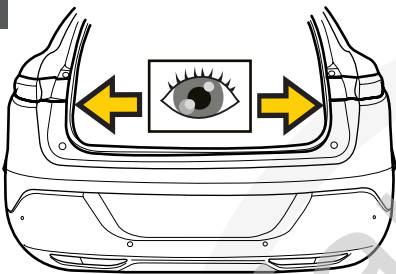
Geleverd met - Livré avec - Delivered with Gefleert mit - Elementos adjuntos-Leveres med		X1	944.XL035
		X2	GDW REF. 900.008
		X2	GDW REF. 900.011 Ø 21,3 X 11,7
		X4	DIN931-M12 X 70 -10.9
		X4	DIN985-M12 KL.10.9

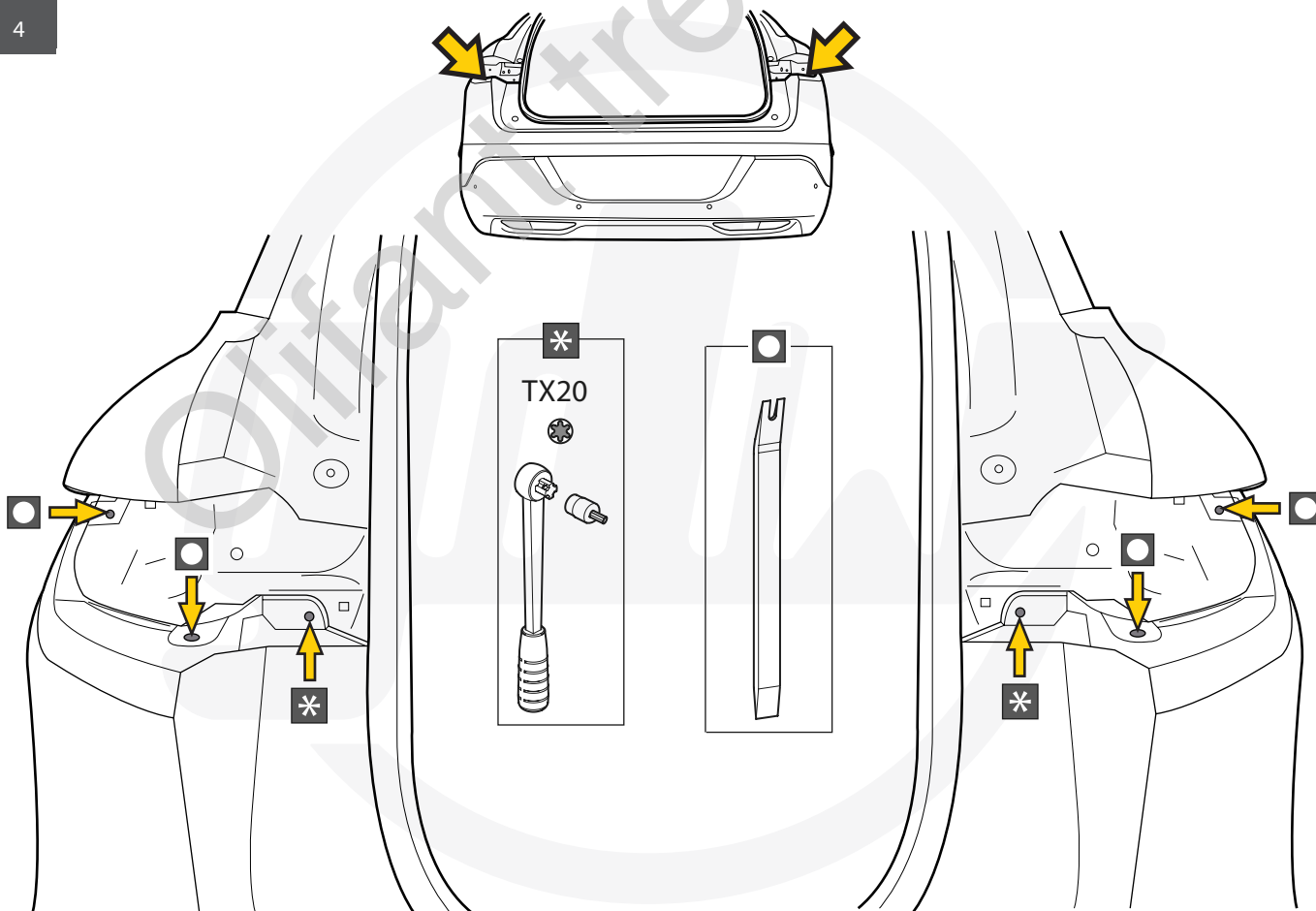
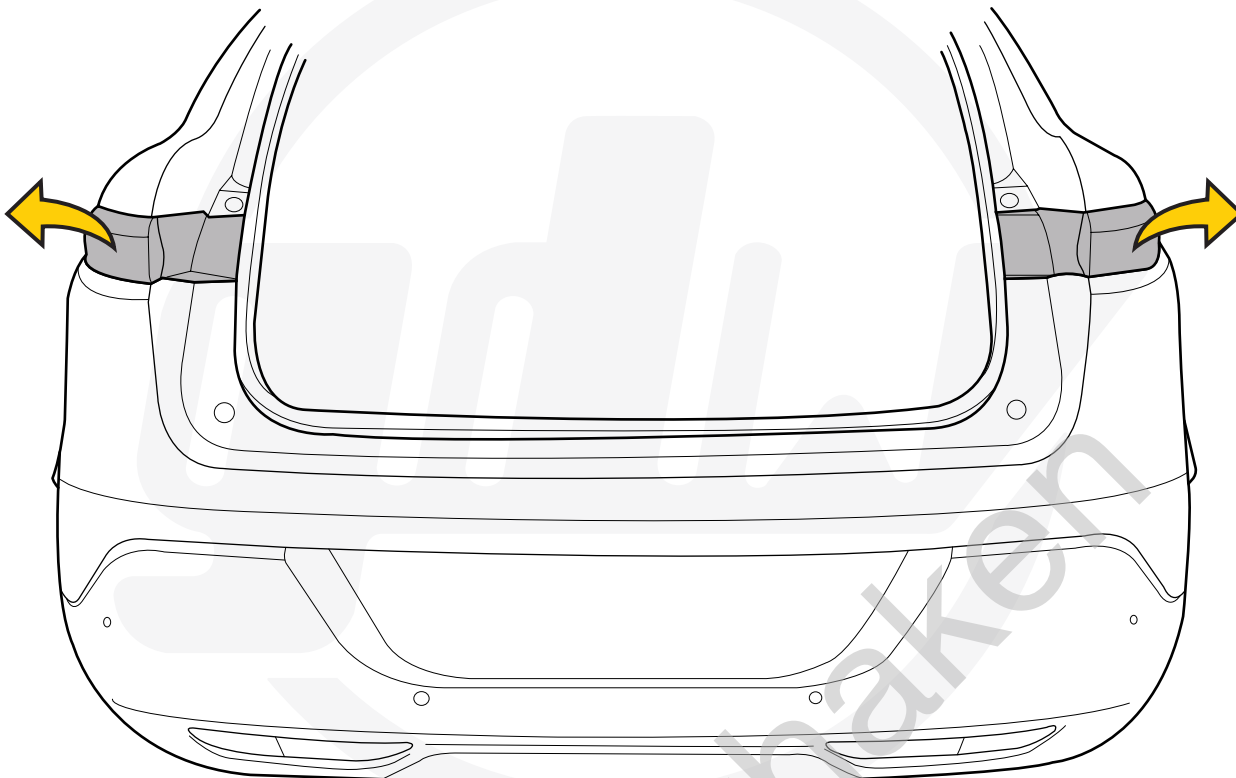
OPTION T36	
	X1
	KIT T36-2717

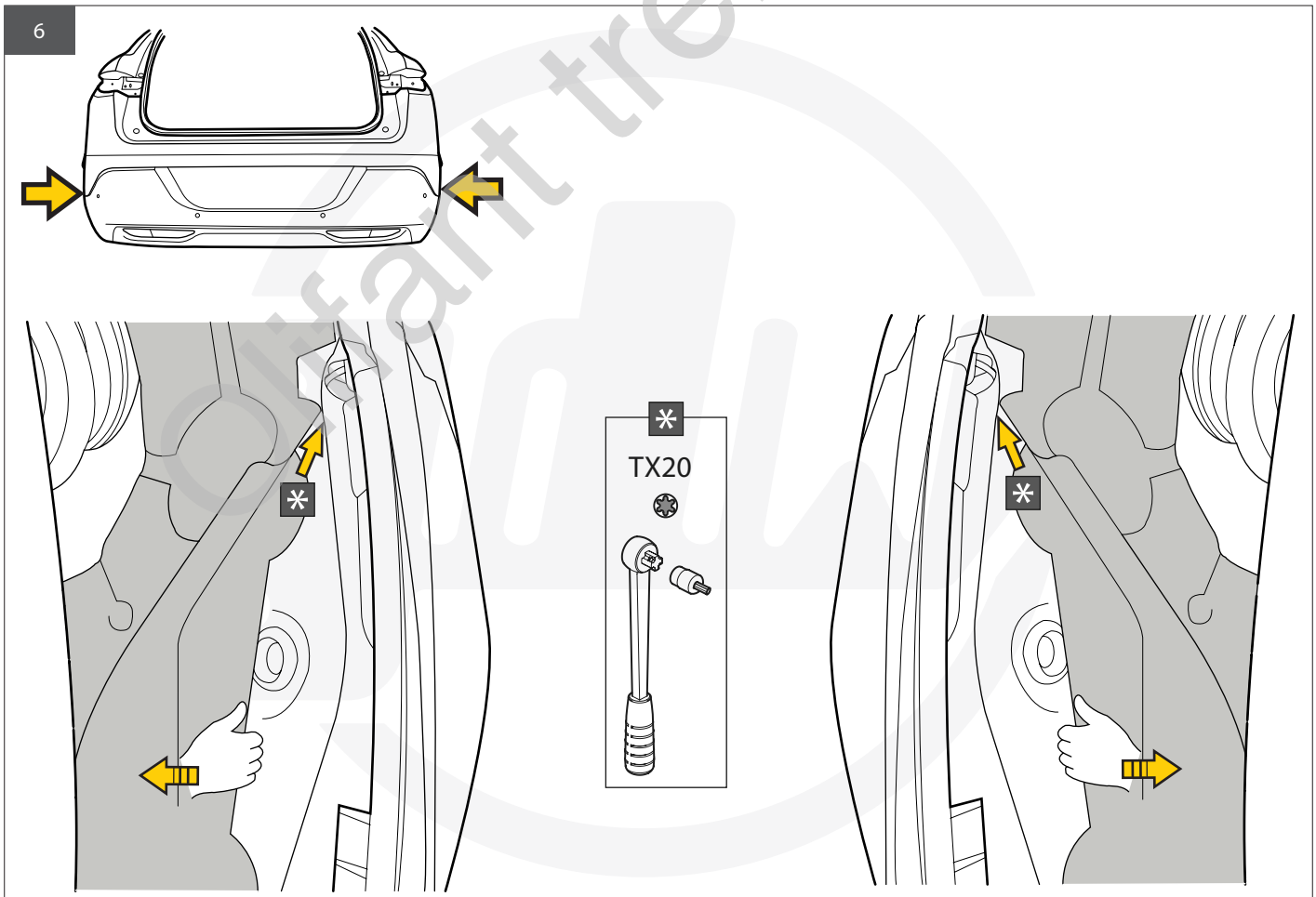
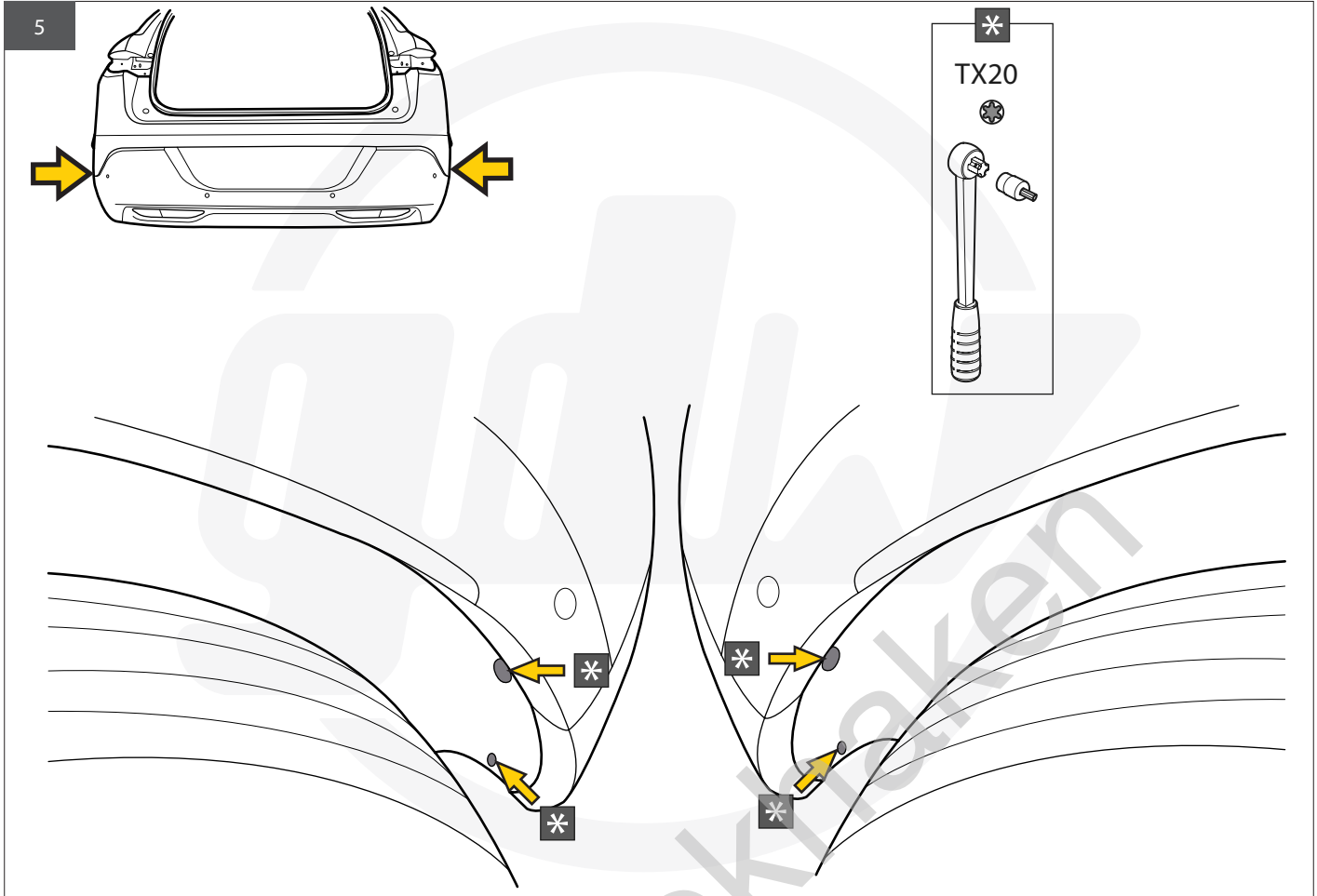
1



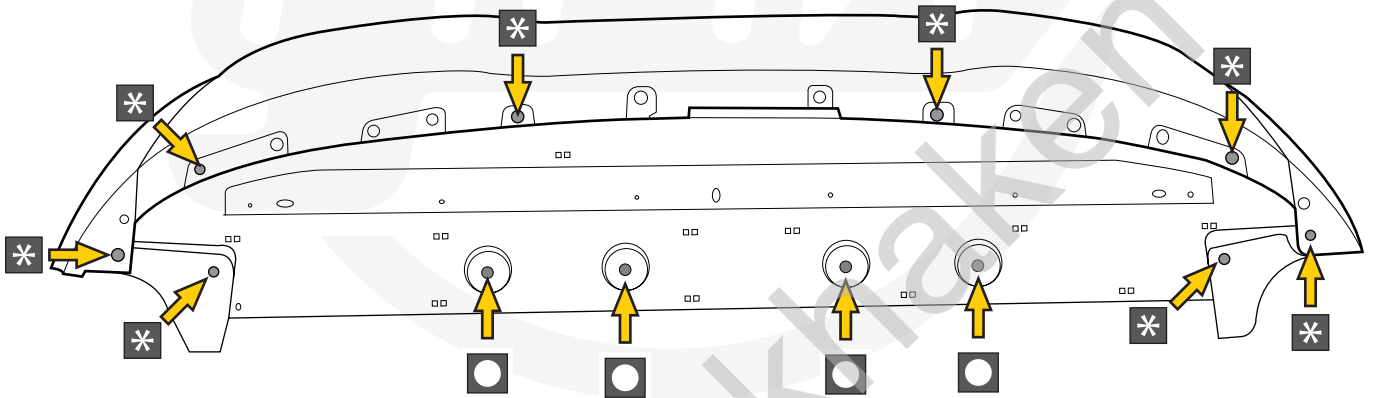
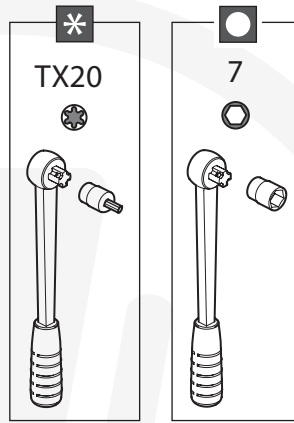
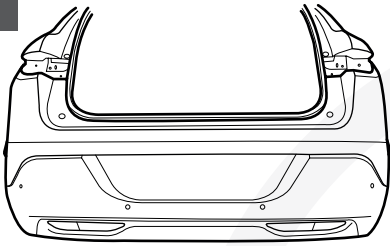
2



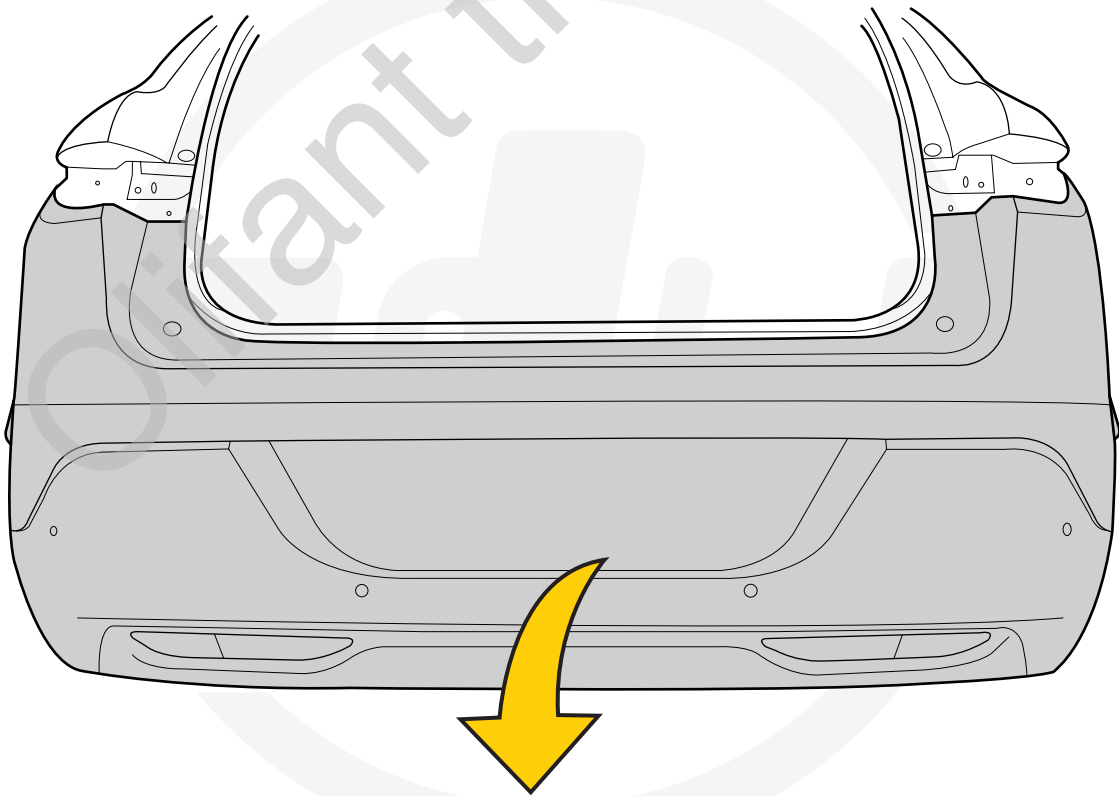




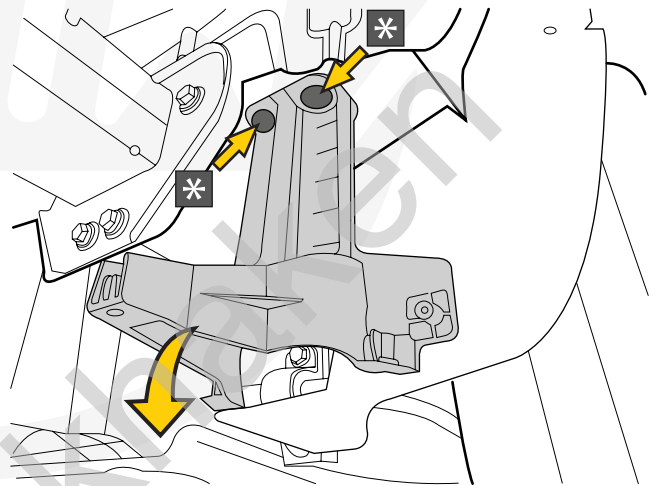
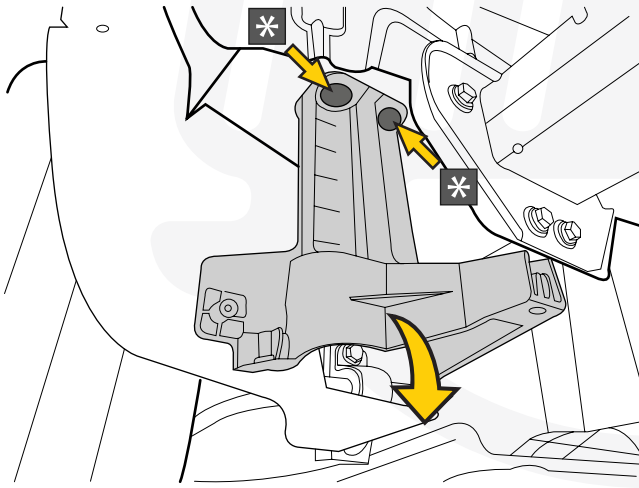
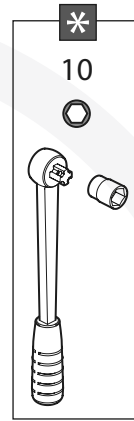
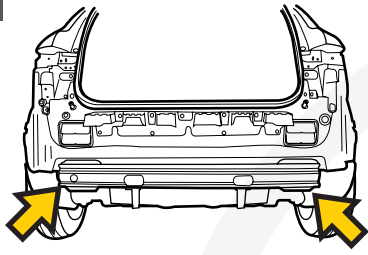
7



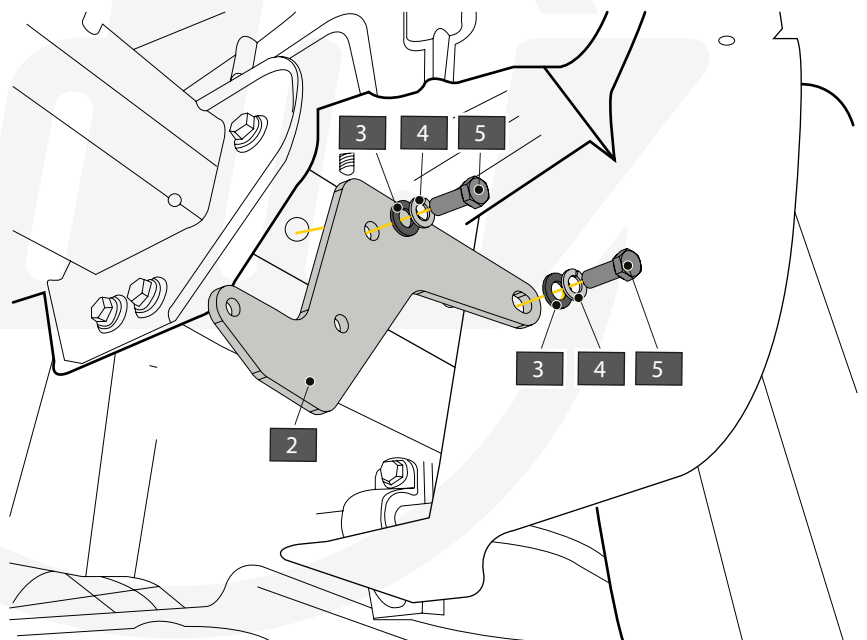
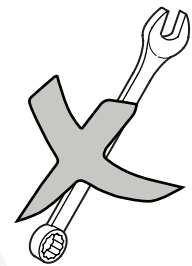
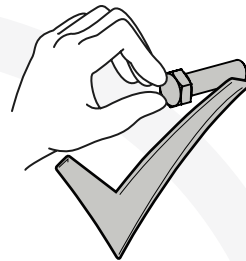
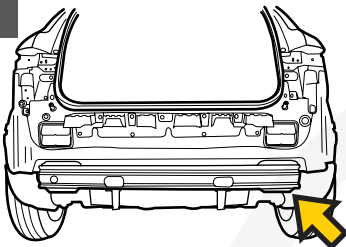
8



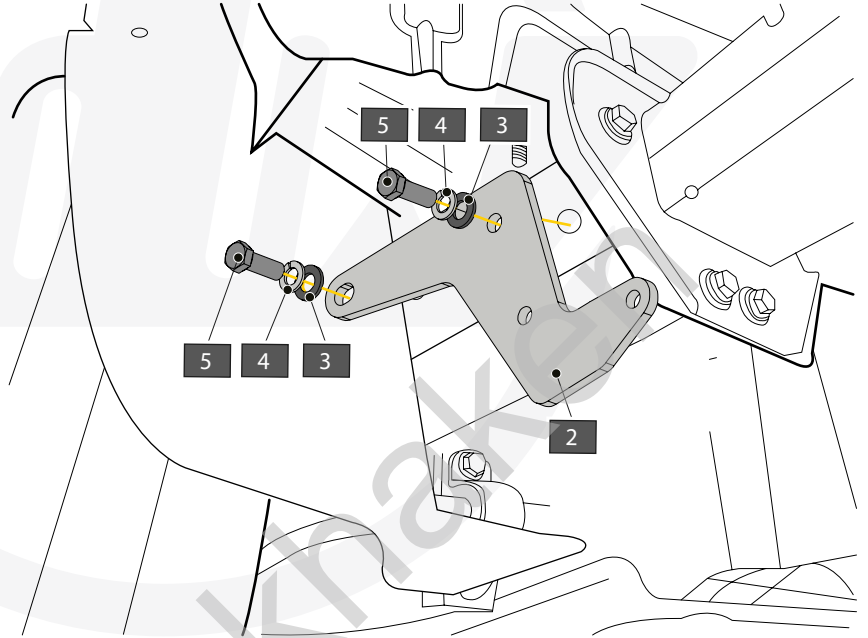
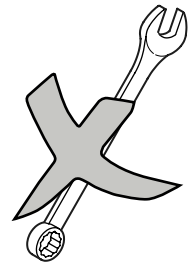
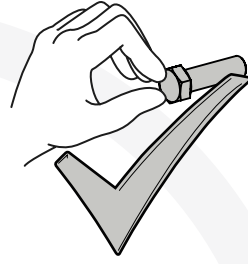
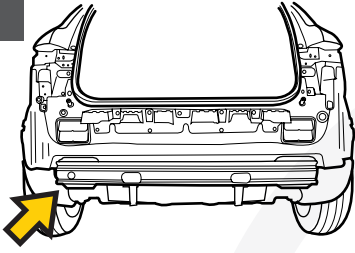
9



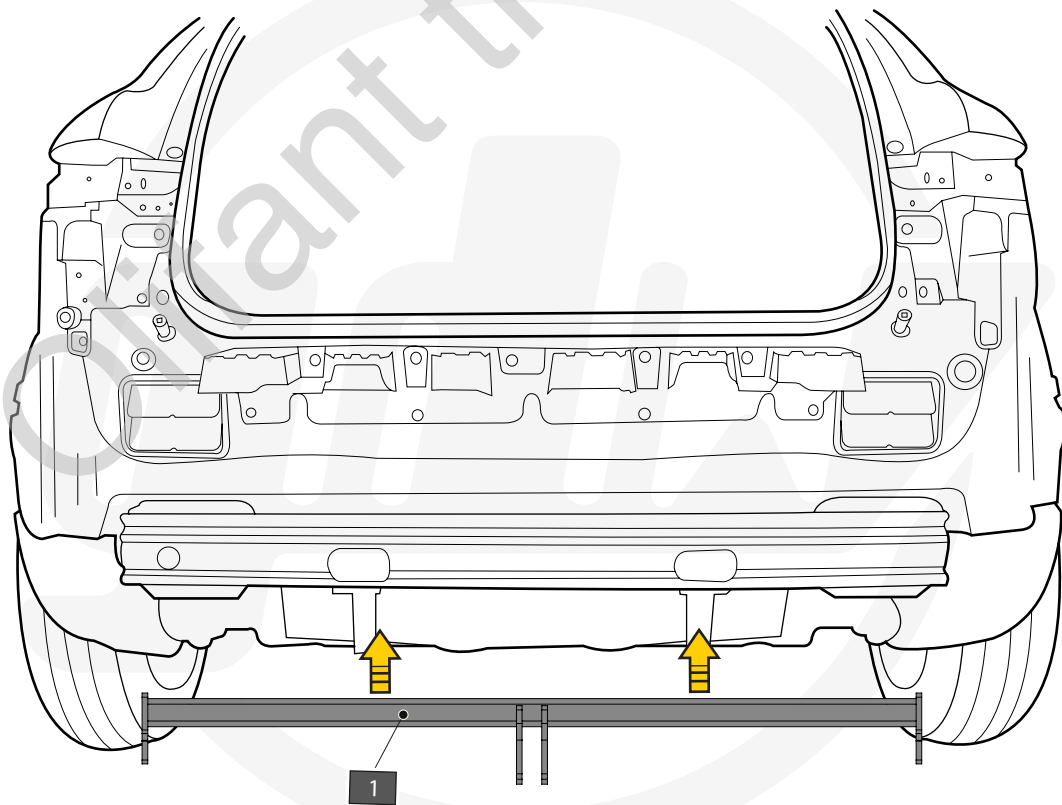
10

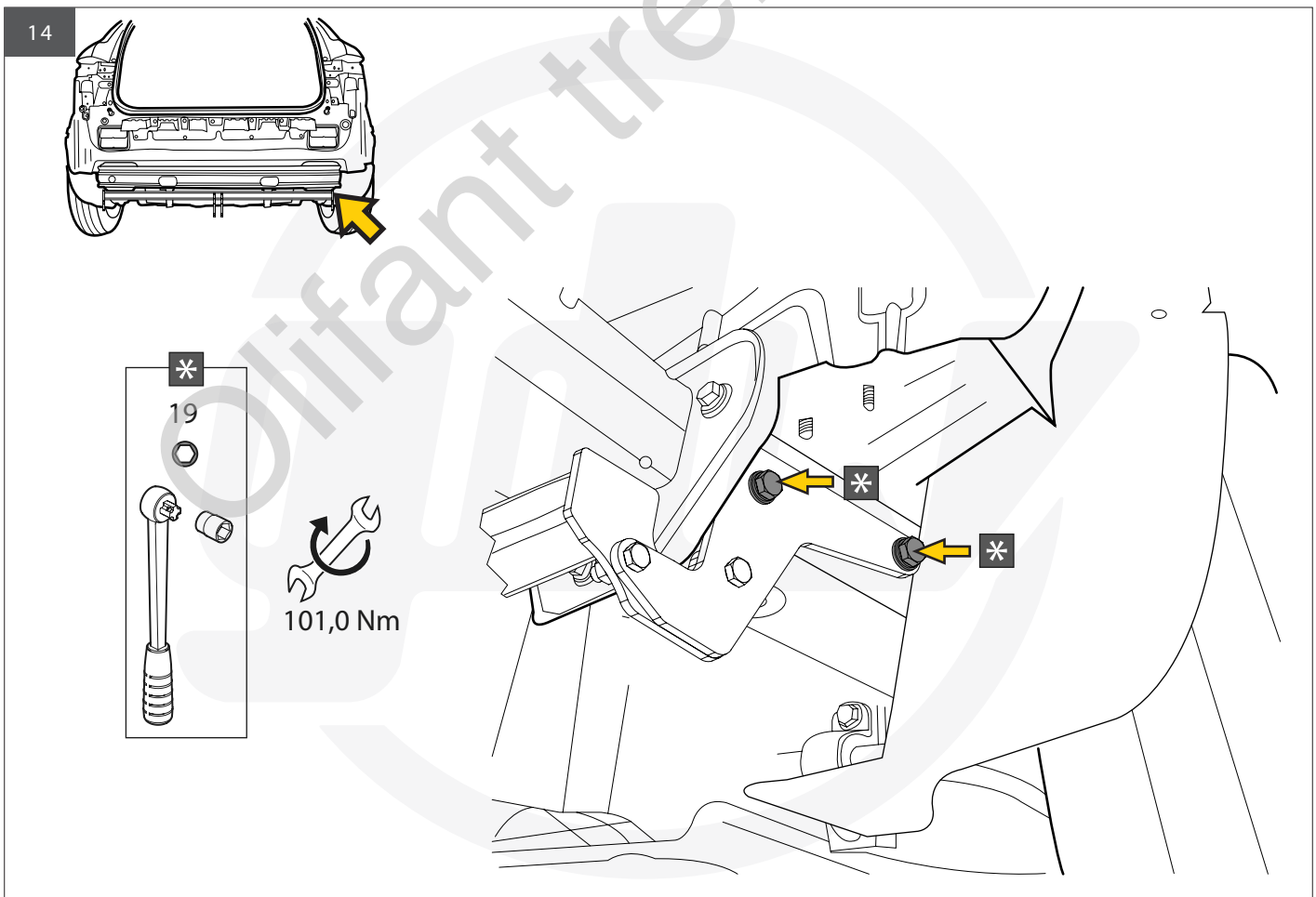
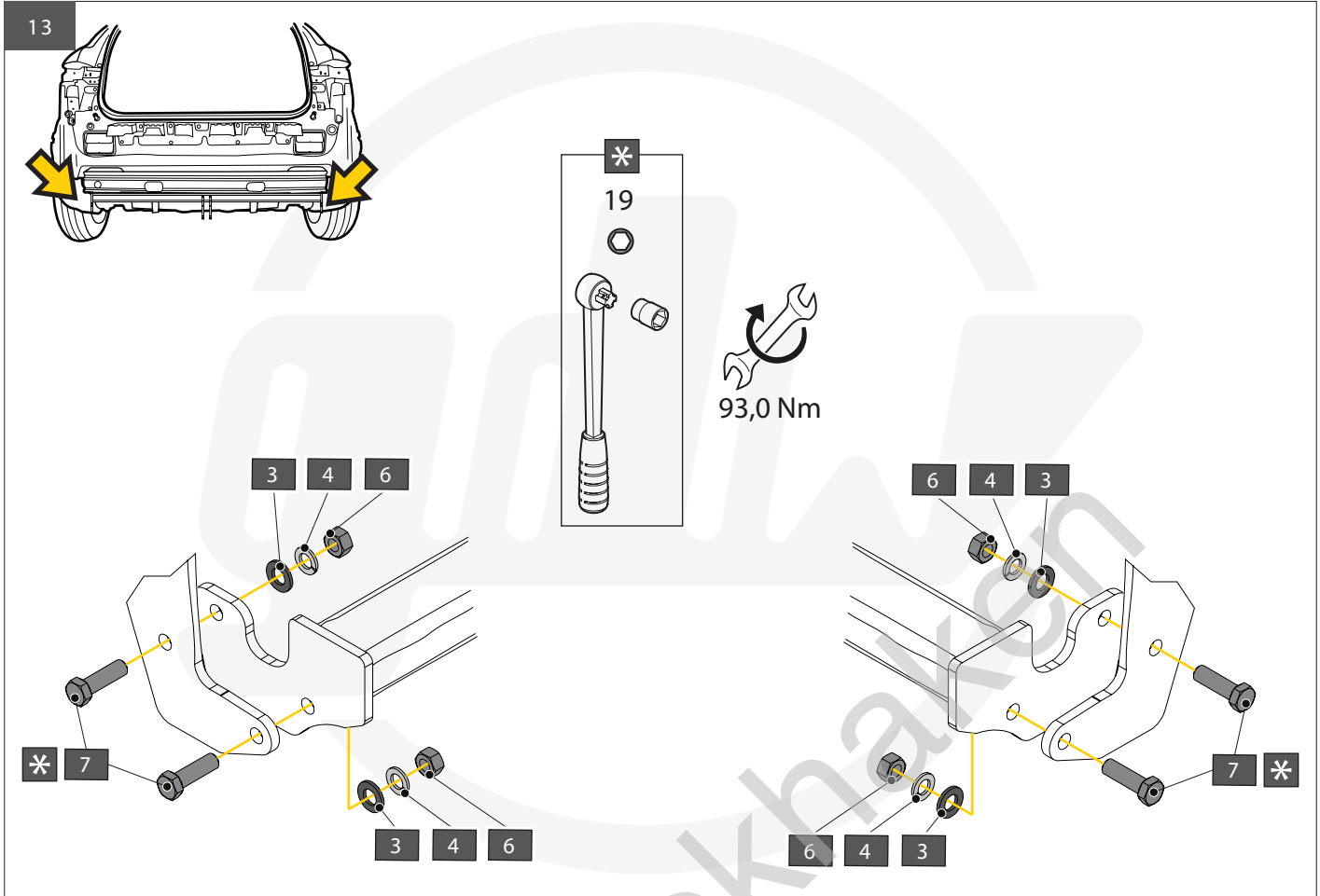


11

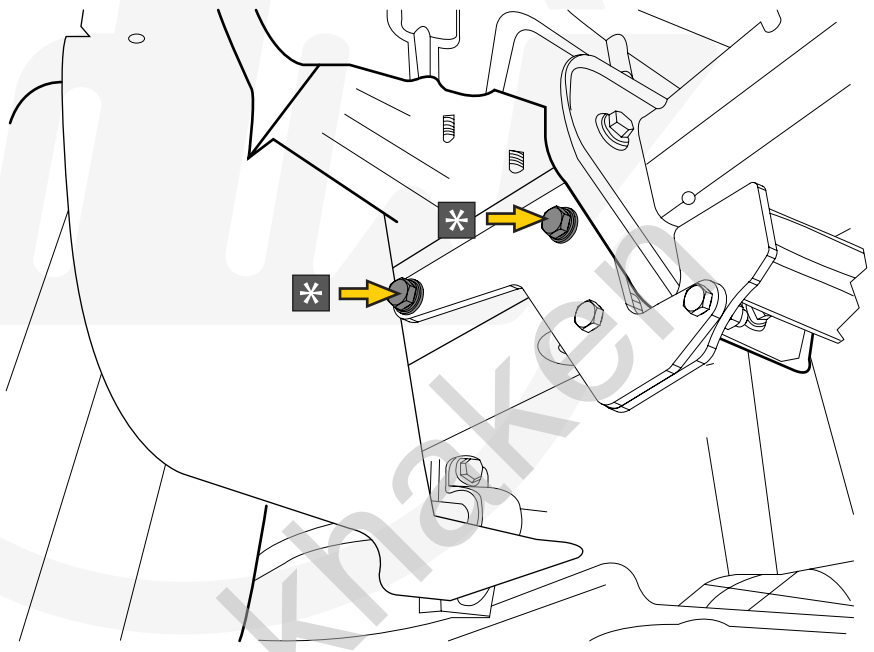
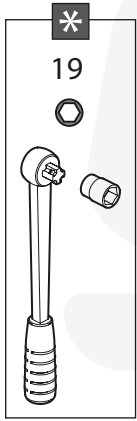
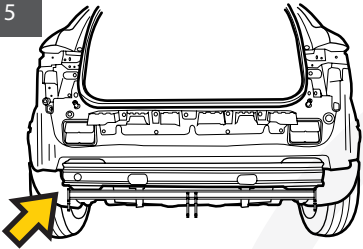


12

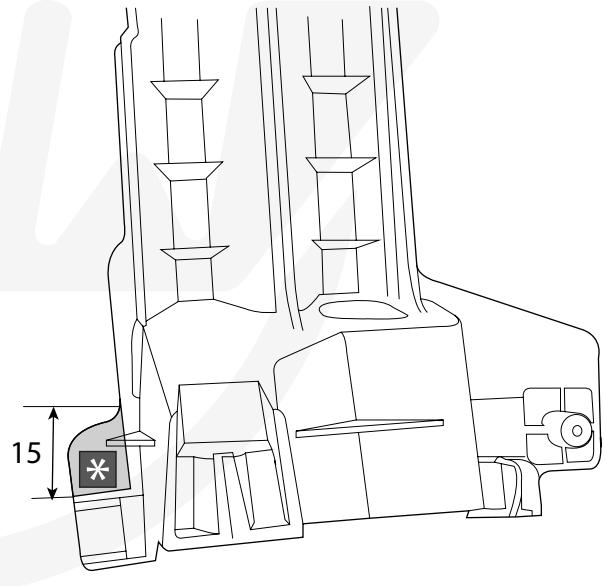
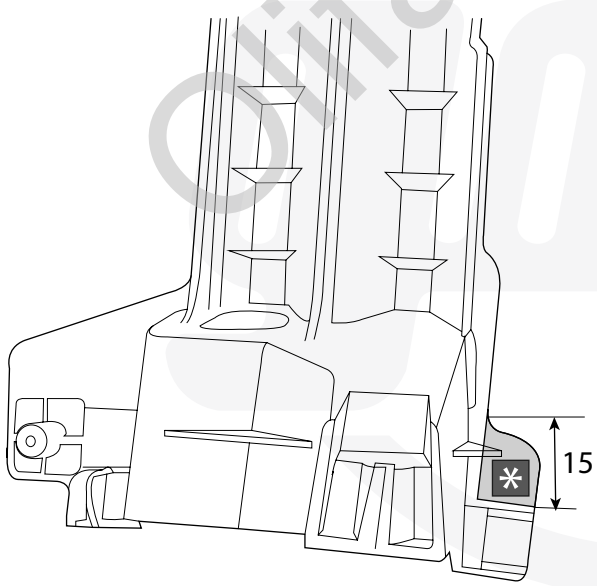
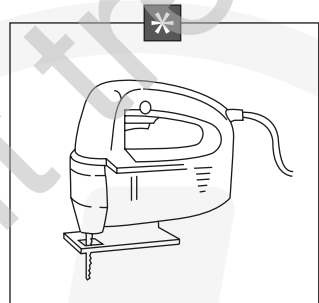


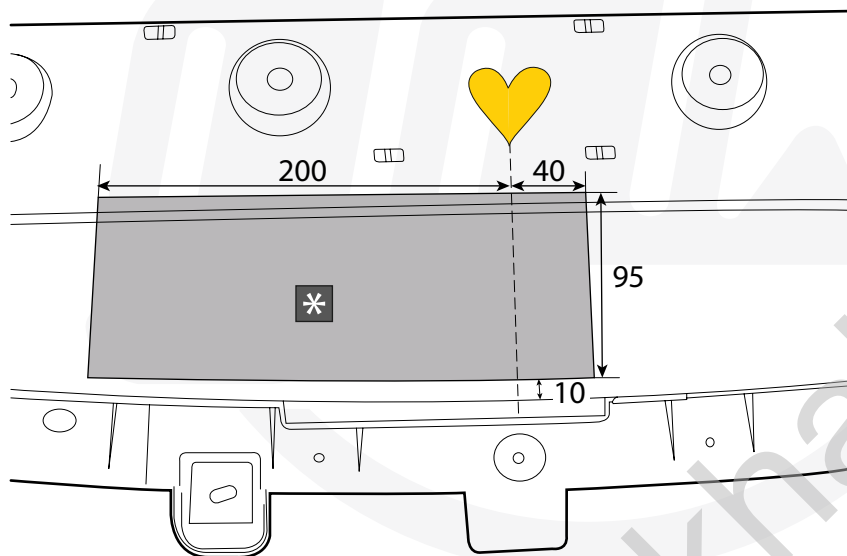
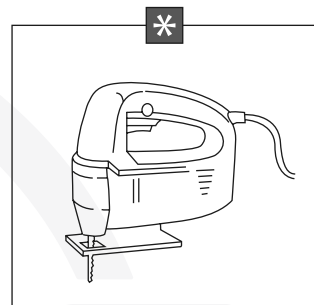
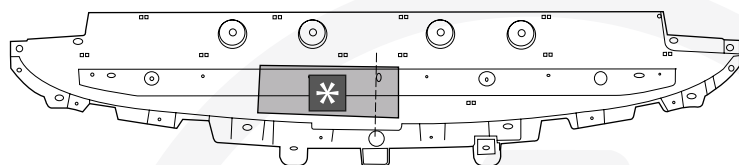


15

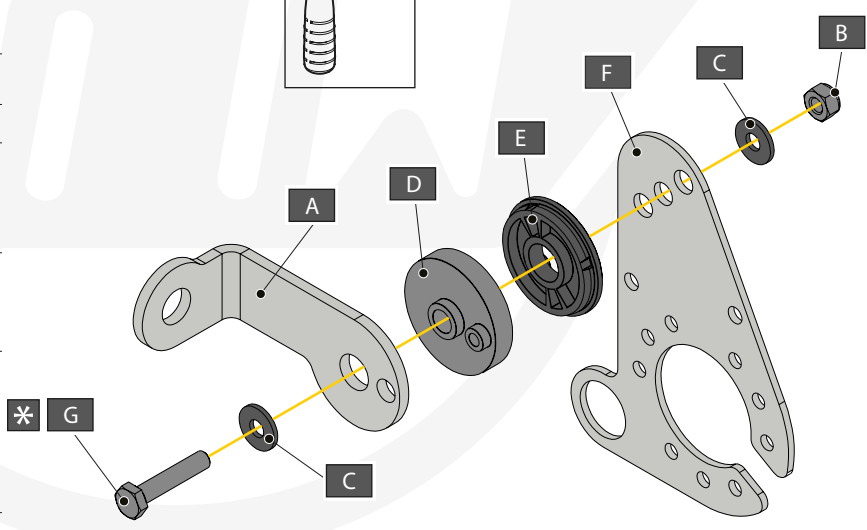
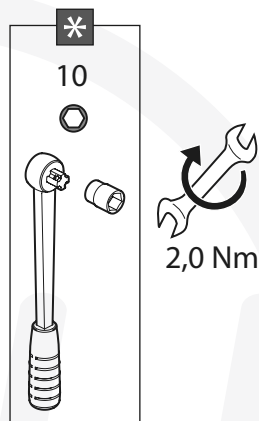


16

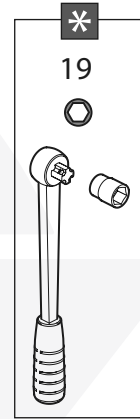
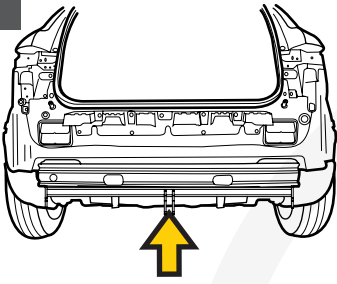




A		X1 GDW REF. 908.101
B		X1 DIN985-M6
C		X2 Ø15,4 X 6,2 X 1,6 (NYLON)
D		X1 GDW REF. 718.16.002
E		X1 GDW REF. 718.16.003
F		X1 GDW REF. 908.094
G		X1 DIN933-M6 X 30

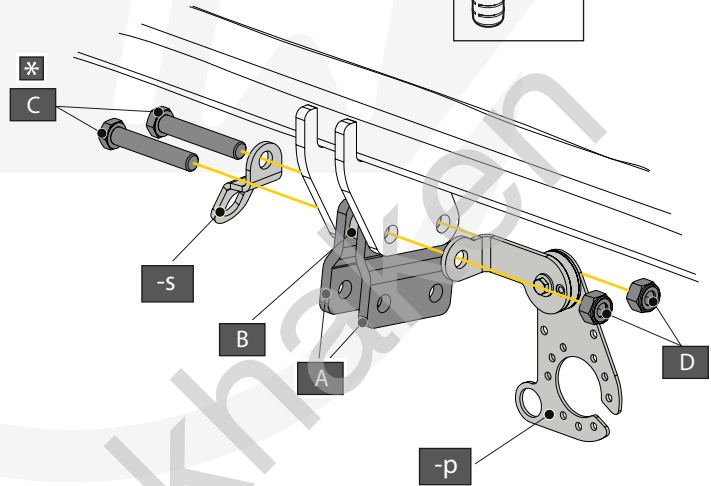


19

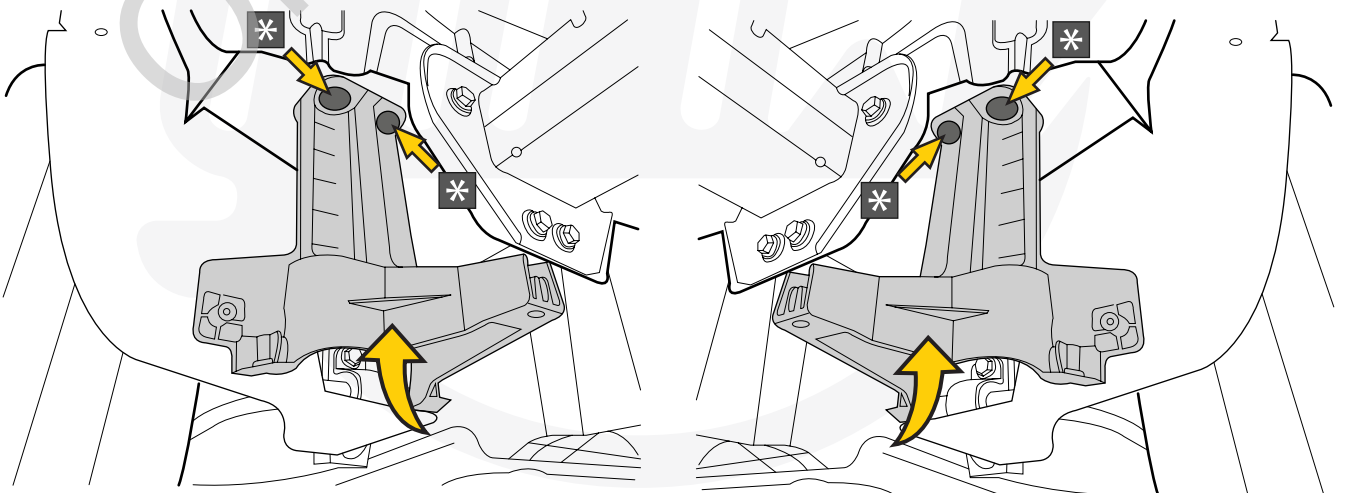
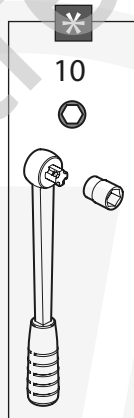
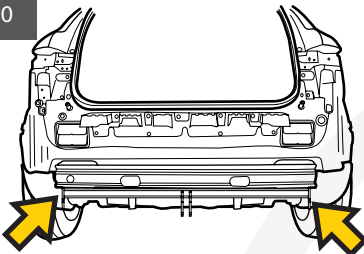


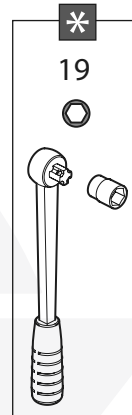
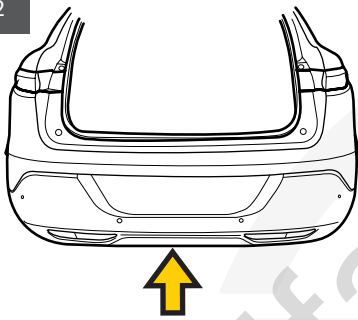
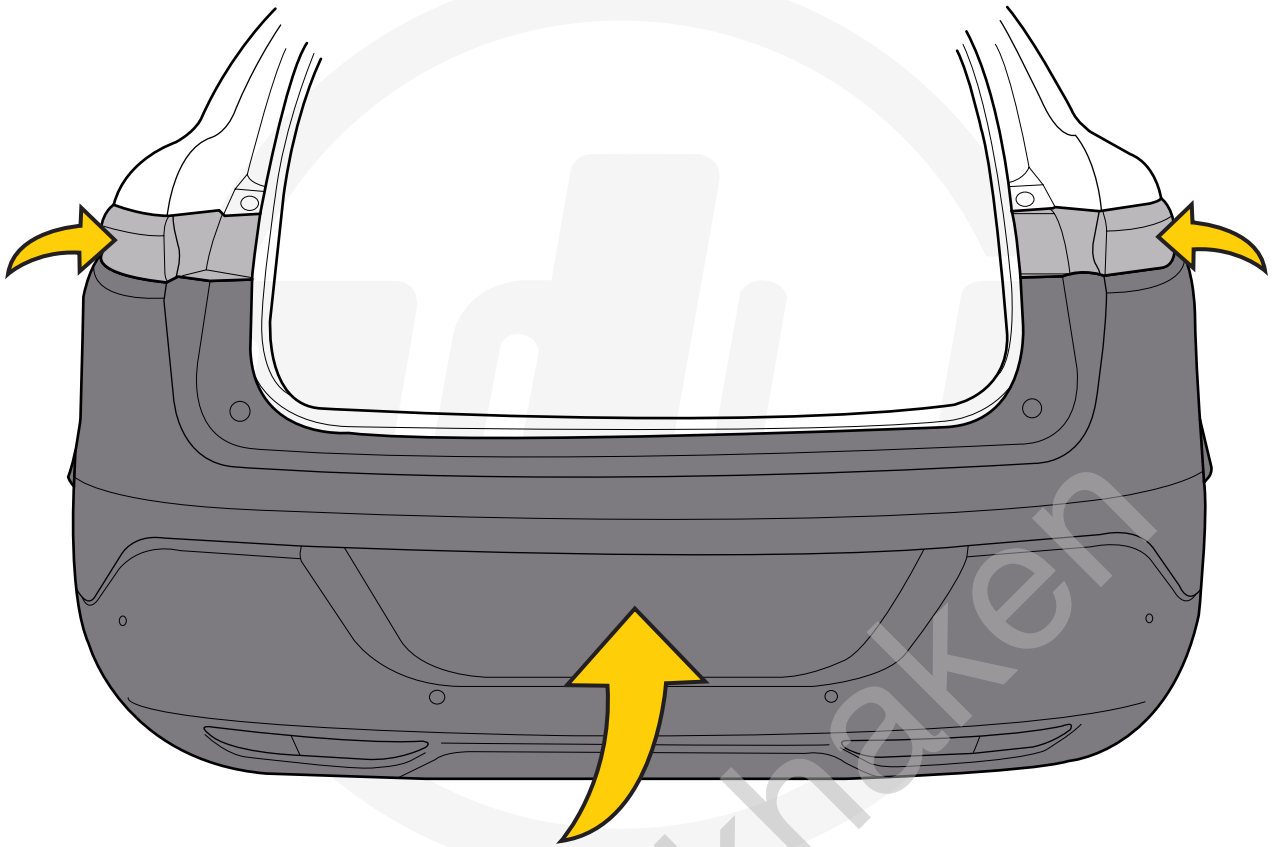
93,0 Nm

A		X2	GDW REF. 900.008
B		X2	GDW REF. 900.011 Ø 21,3 X 11,7
C		X2	DIN931-M12 X 70 -10,9
D		X2	DIN985-M12 KL10,9
-S		X1	GDW REF. 900.053

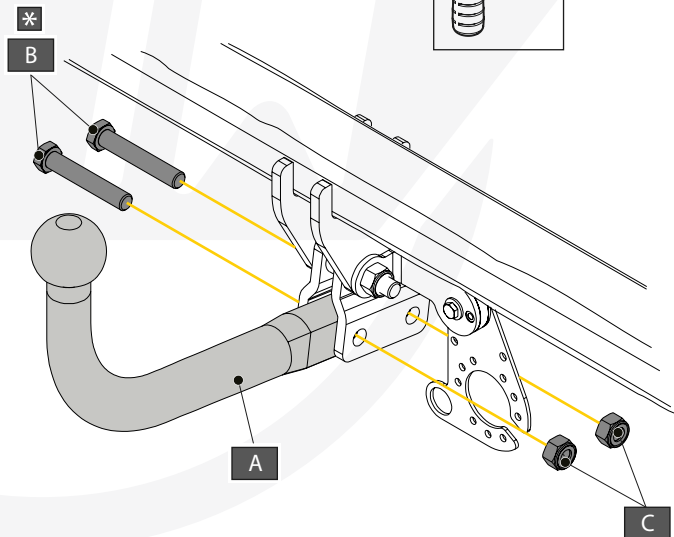


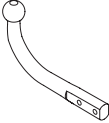
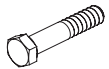

20

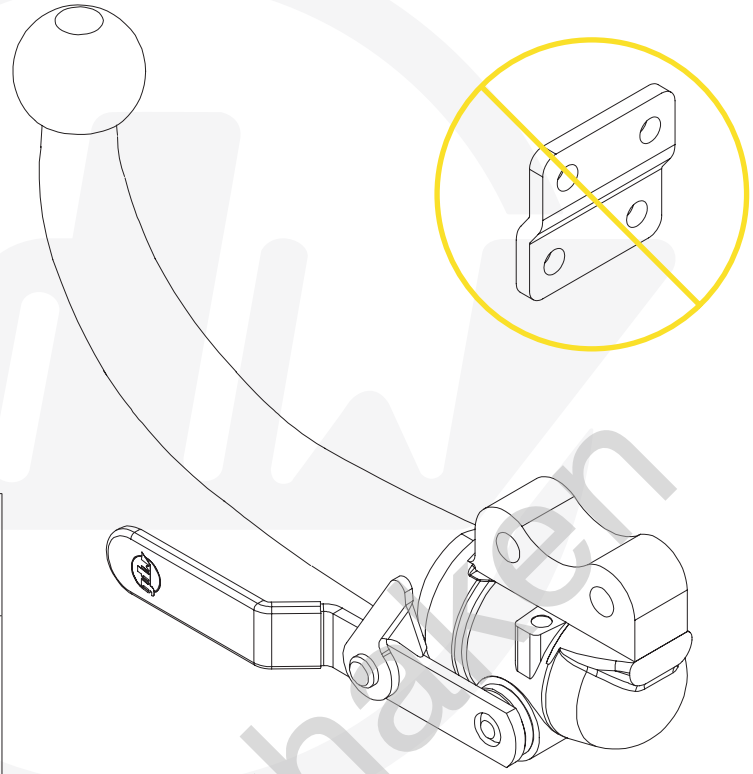




93,0 Nm



- | | | | |
|---|---|----|--------------------------|
| A |  | X1 | 944.XL035 |
| B |  | X2 | DIN931-M12 X 70
-10.9 |
| C |  | X2 | DIN985-M12 KL 10.9 |

**OPTION T36**

x1

KITT36-2717

Olifant trekhænder