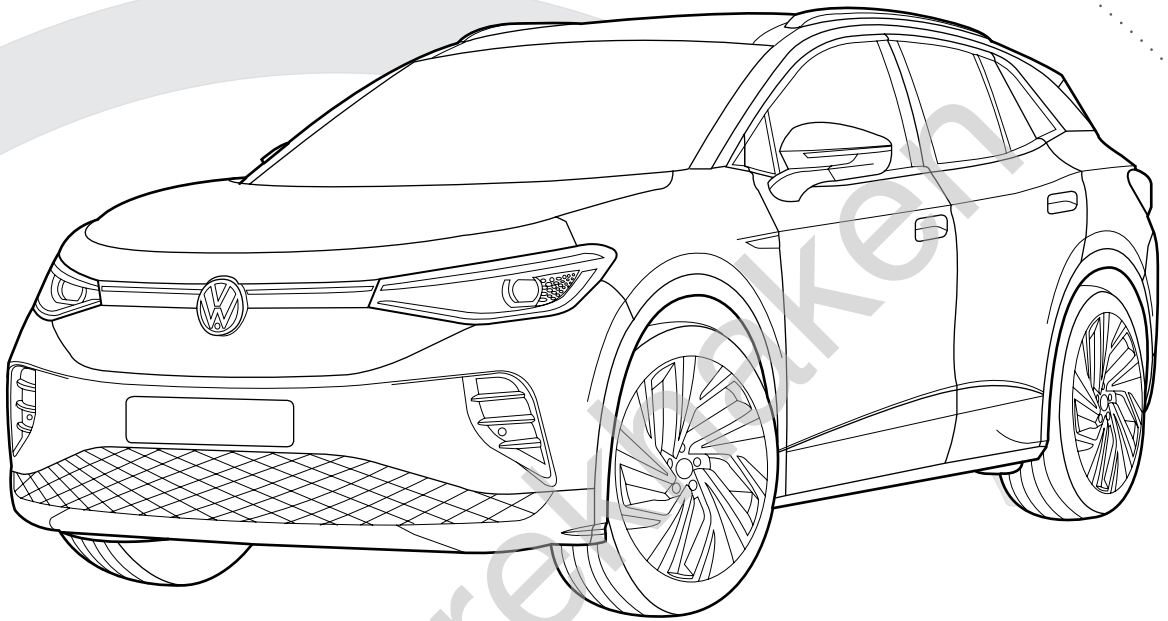


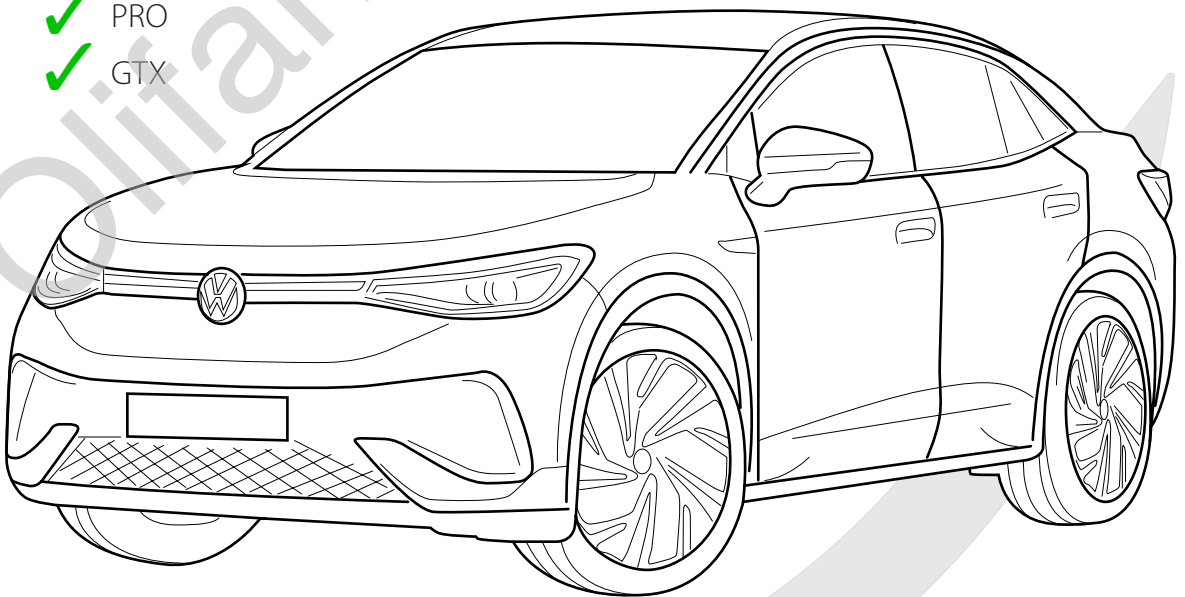


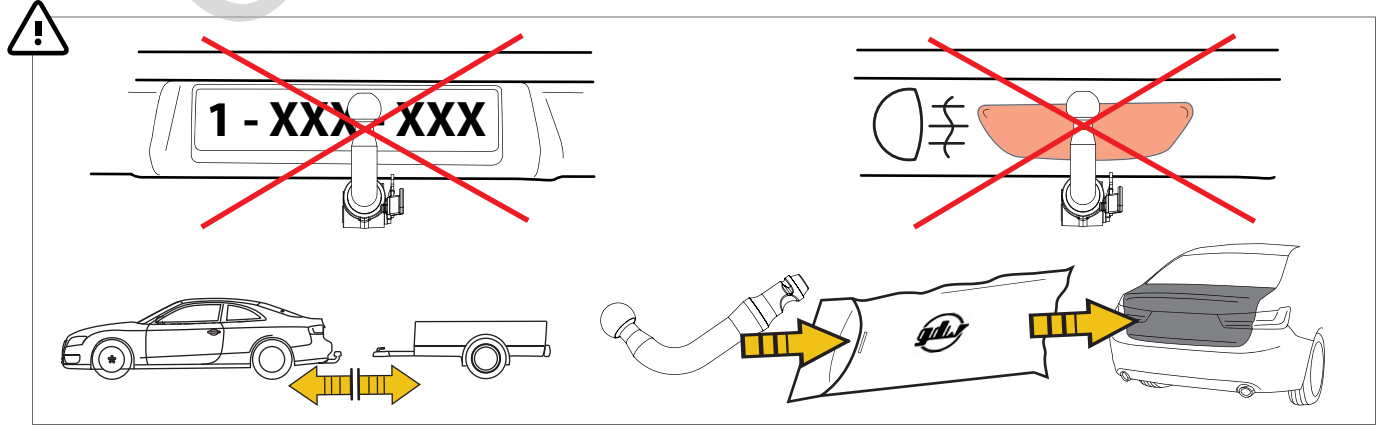
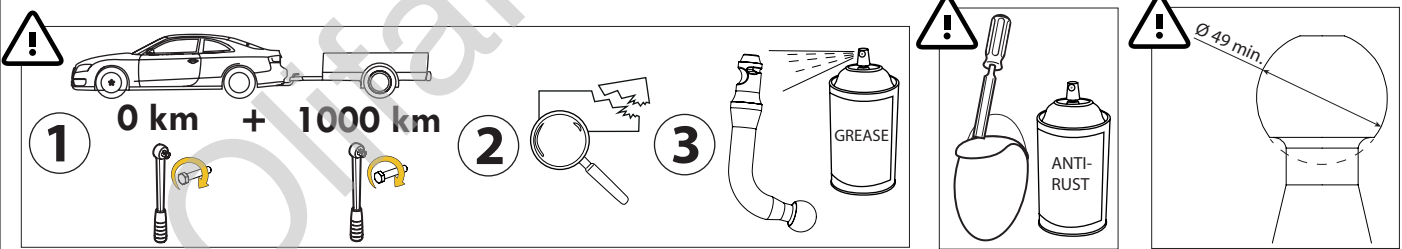
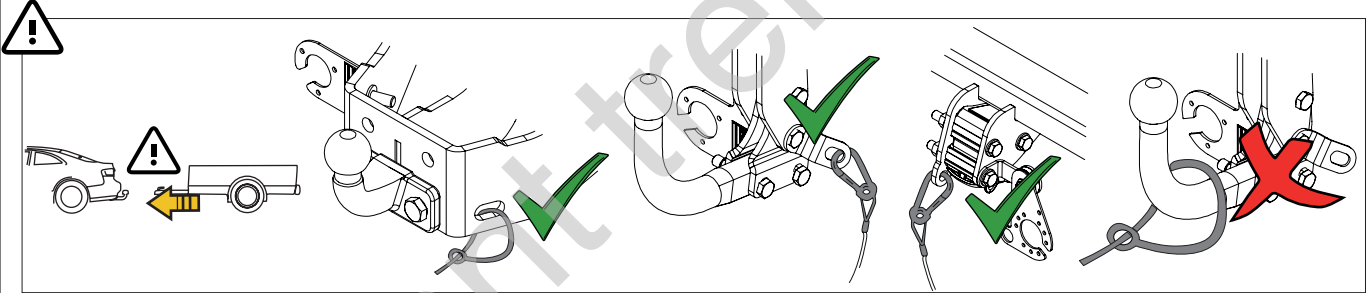
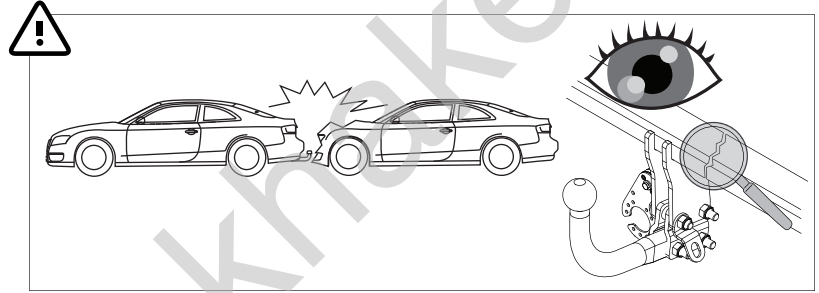
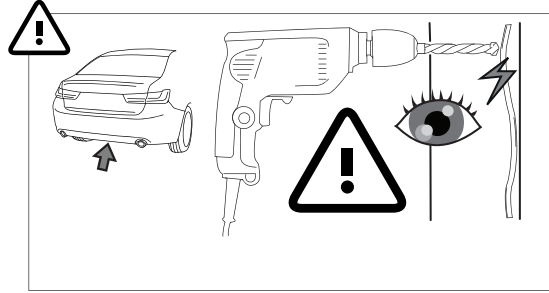
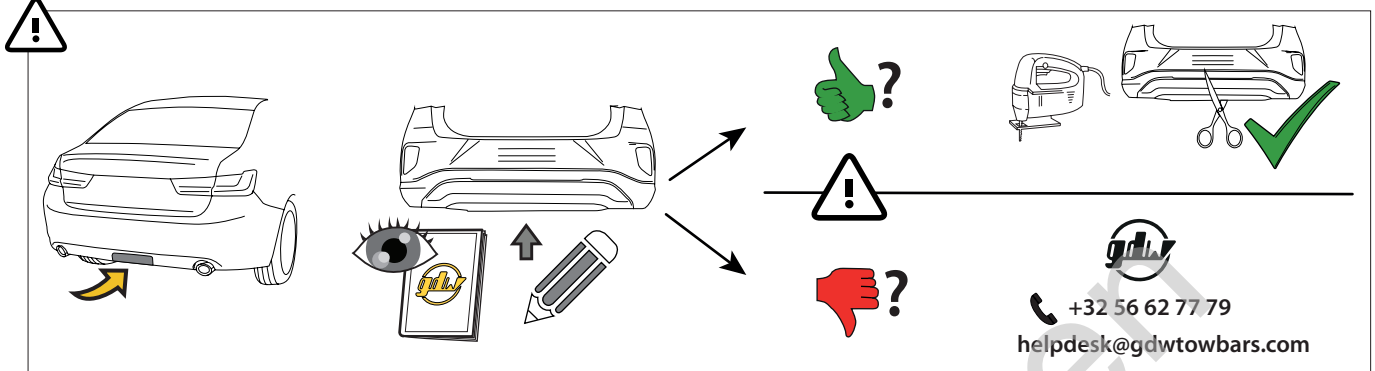
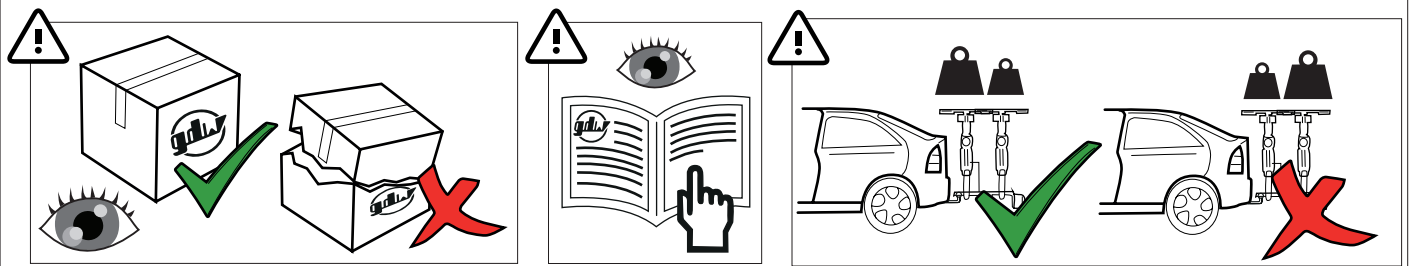
Volkswagen ID.4 (type E21) 05/'20 -



Volkswagen ID.5 (type E39) 01/'22 -

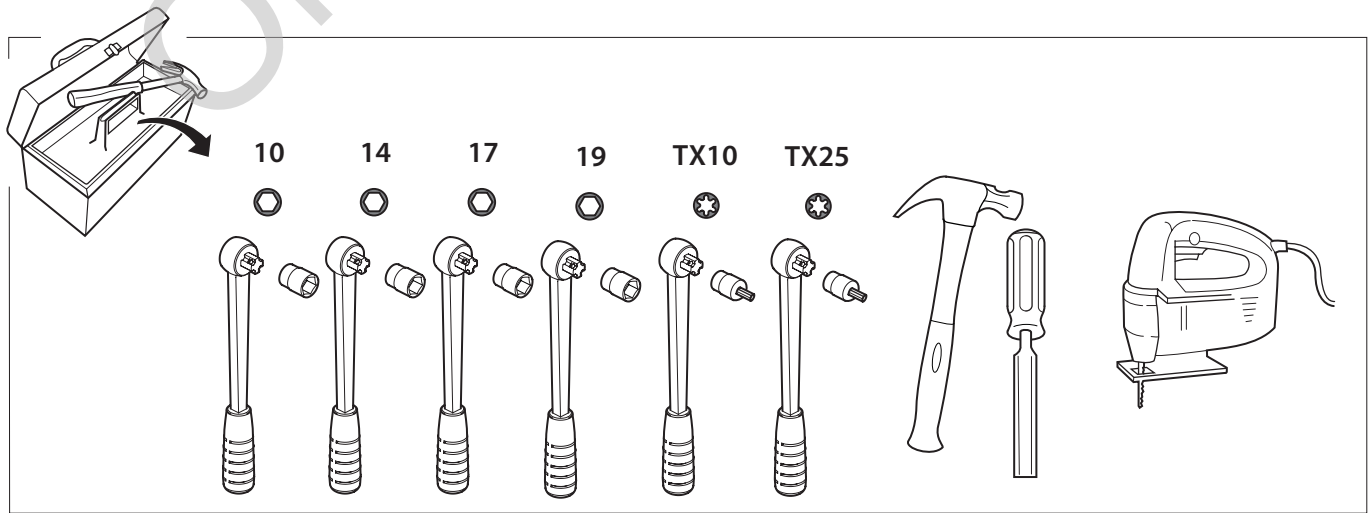
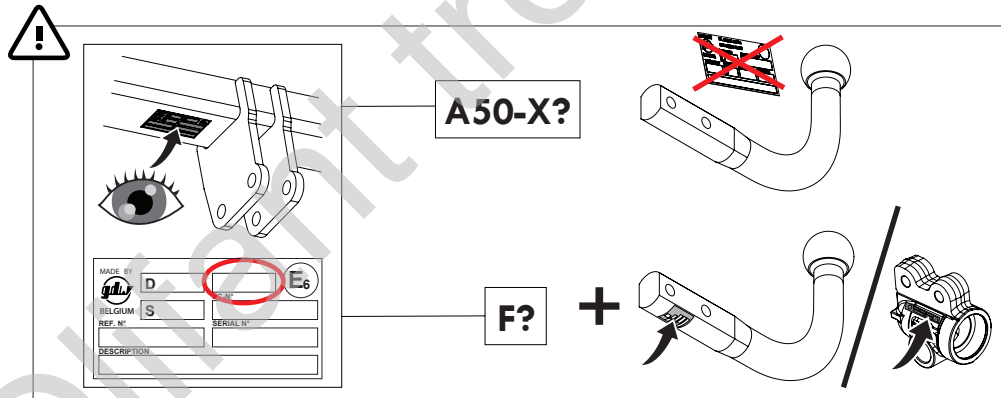
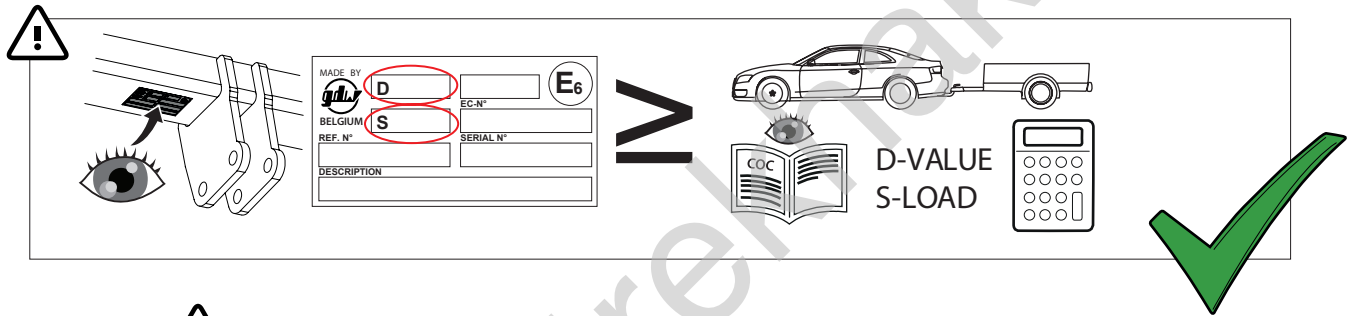
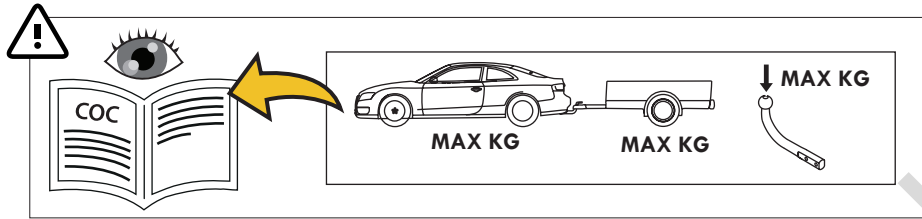
- ✓ PRO
- ✓ GTX





MADE BY 	D 9,70	F	E6	 	$D = \frac{\text{max kg (car)} \times \text{max kg (trailer)}}{\text{max kg (car)} + \text{max kg (trailer)}} \times 0.00981 \leq 9,70 \text{ kN}$
BELGIUM	S 75	EC-N° 55R - 02 1755	SERIAL N° XXXX		
REF N° 2710T60	DESCRIPTION Volkswagen ID.4 05/20- + ID.5 01/22-			S =	≤ 75 kg ≤ 1500 kg

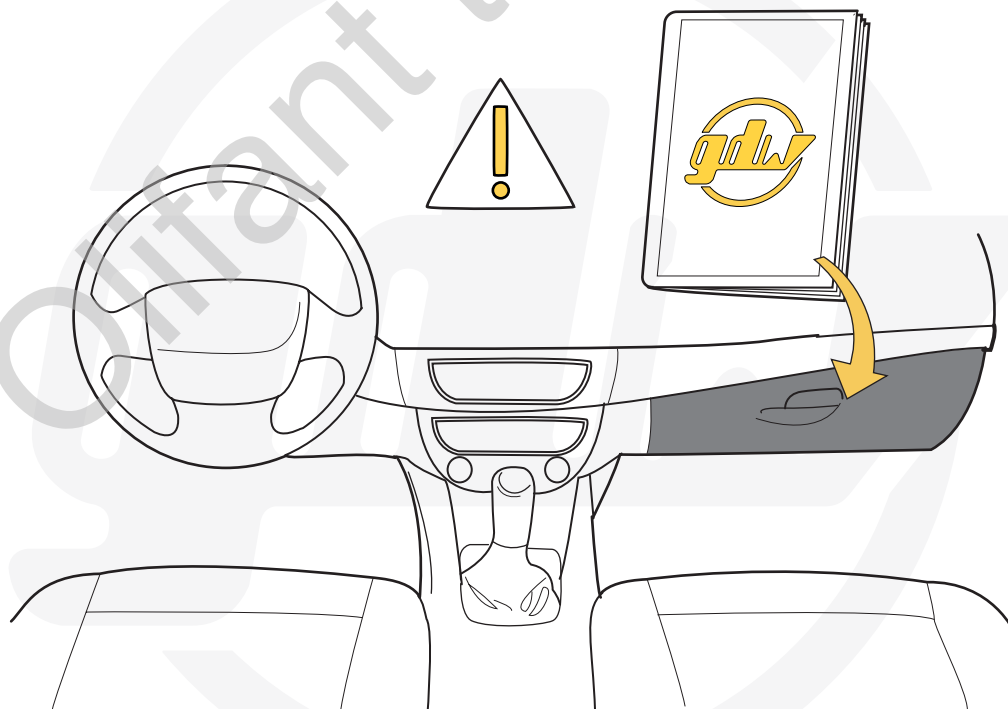
See the Certificate Of Conformity (COC) of your vehicle or contact your dealer to verify the max. trailer weight of your car!

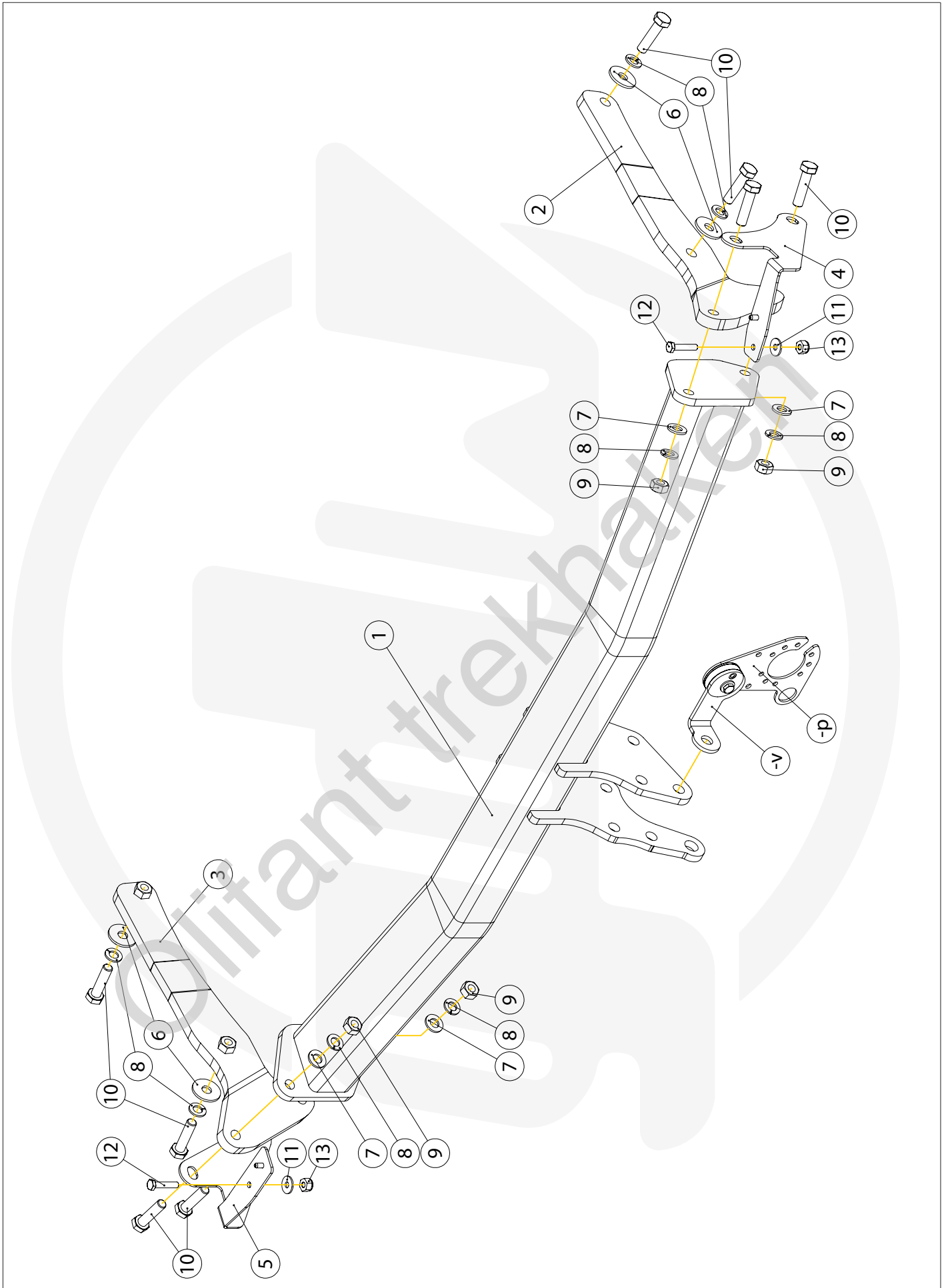


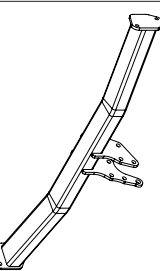
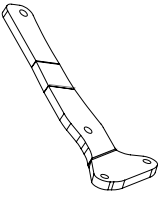
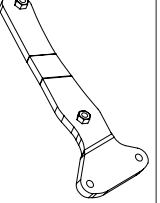














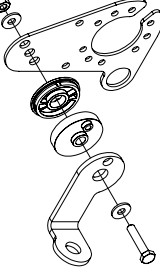
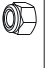



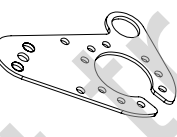


helpdesk@gdwtowbars.com
+32 56 62 77 79

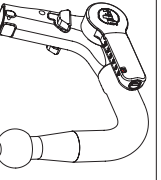

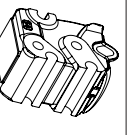


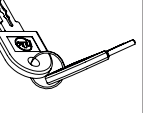

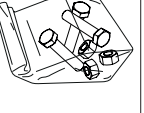




Monday	08:00 - 12:00	12:30 - 16:30
Tuesday	08:00 - 12:00	12:30 - 16:30
Wednesday	08:00 - 12:00	12:30 - 16:30
Thursday	08:00 - 12:00	12:30 - 16:30
Friday	08:00 - 12:00	12:30 - 15:30



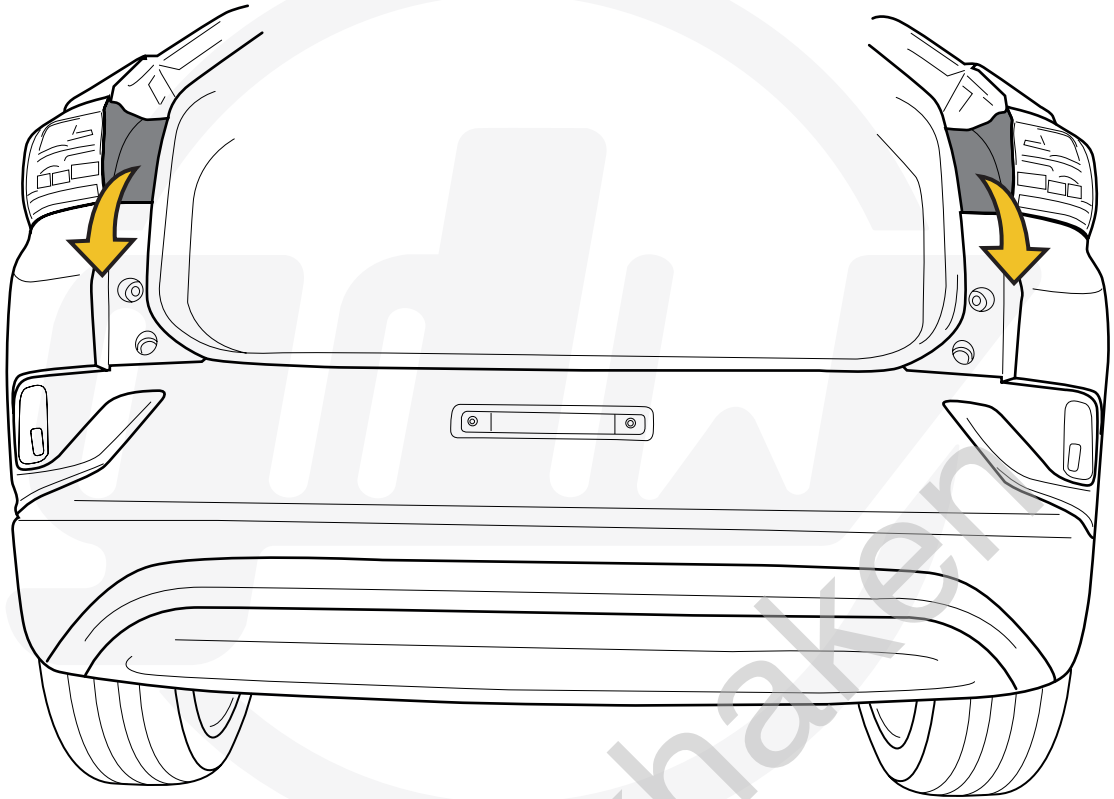


1		X1	GDW REF. 2710160
2		X1	GDW REF. 2
3		X1	GDW REF. 3
4		X1	GDW REF. 4
5		X1	GDW REF. 5
6		X4	DIN9021-M10-ELVZ
7		X4	DIN125-A10-140HV-ELVZ
8		X8	DIN128A-M10
9		X4	DIN934-M10
10		X8	DIN933-M10 X 40
11		X2	DIN9021-M6-ELVZ
12		X2	DIN931-M6 X 30
13		X2	DIN985-M6
-S		X1	GDW REF. 900.053
-V		X1	GDW REF. 908.101

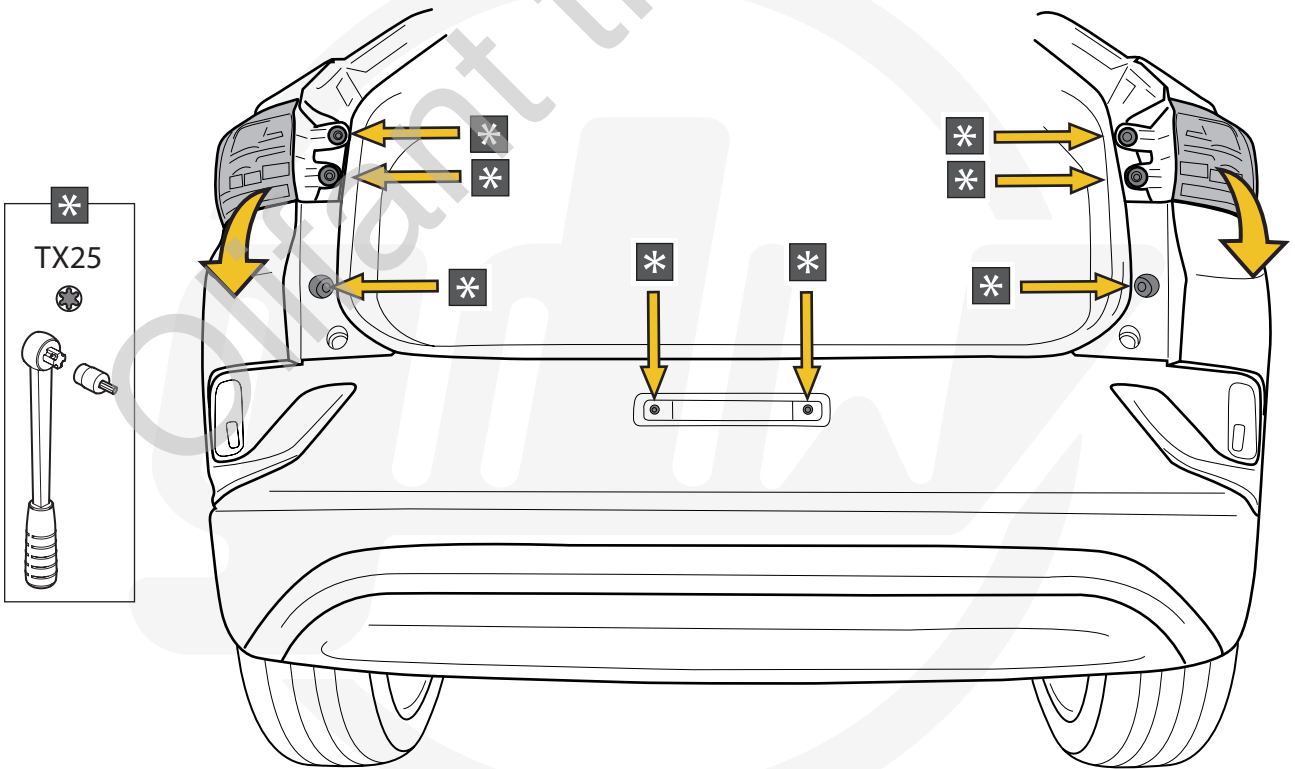
-P		X1	GDW REF. P46
↑		X1	DIN985-M6
↑		X2	6,2 X 15,4 X 1,6 (NYLON)
↑		X1	GDW REF. 718.16.002
↑		X1	GDW REF. 718.16.003
↑		X1	GDW REF. 908.094
↑		X1	DIN933-M6 X 30
↑		X1	GDW REF. 908.101

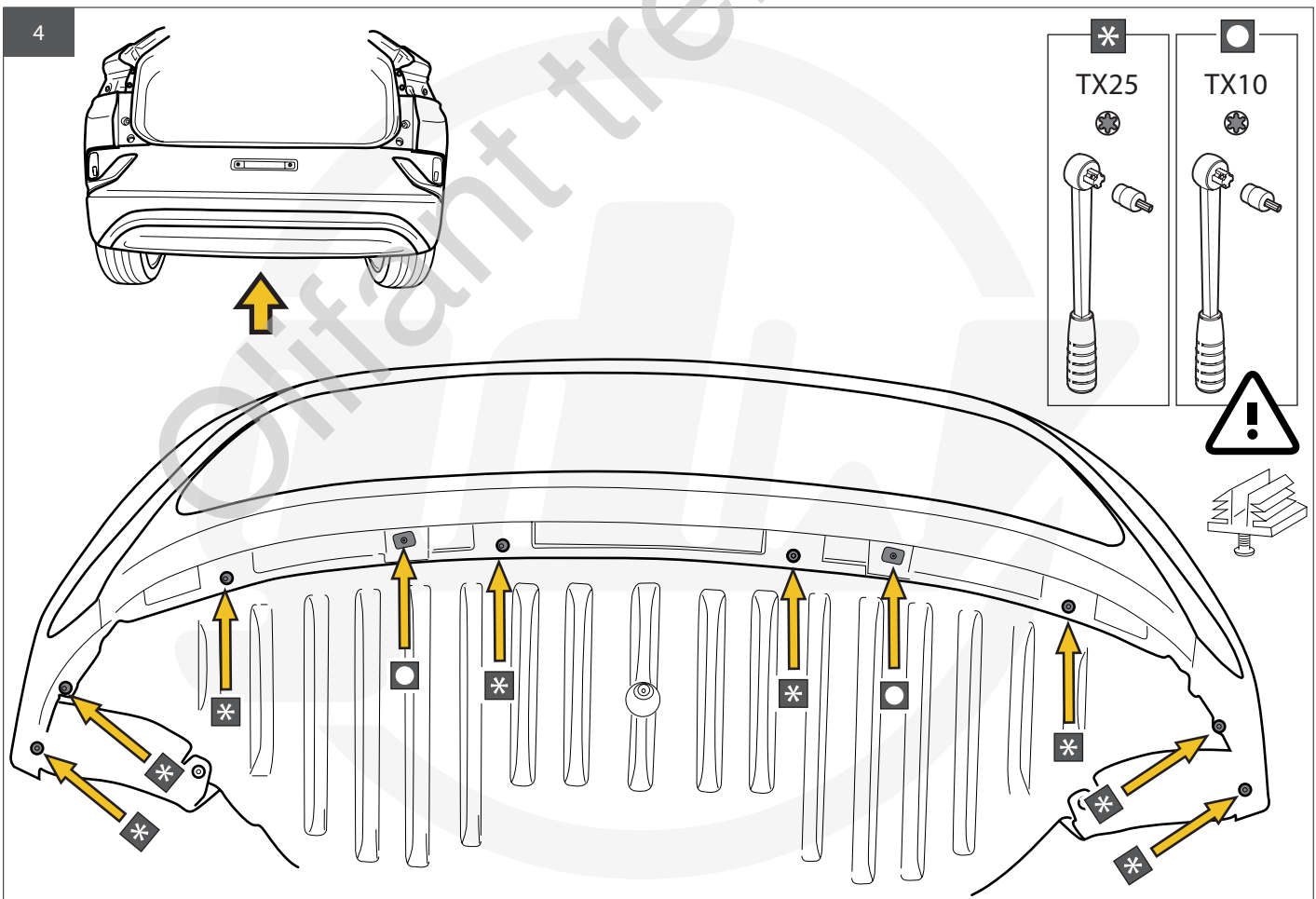
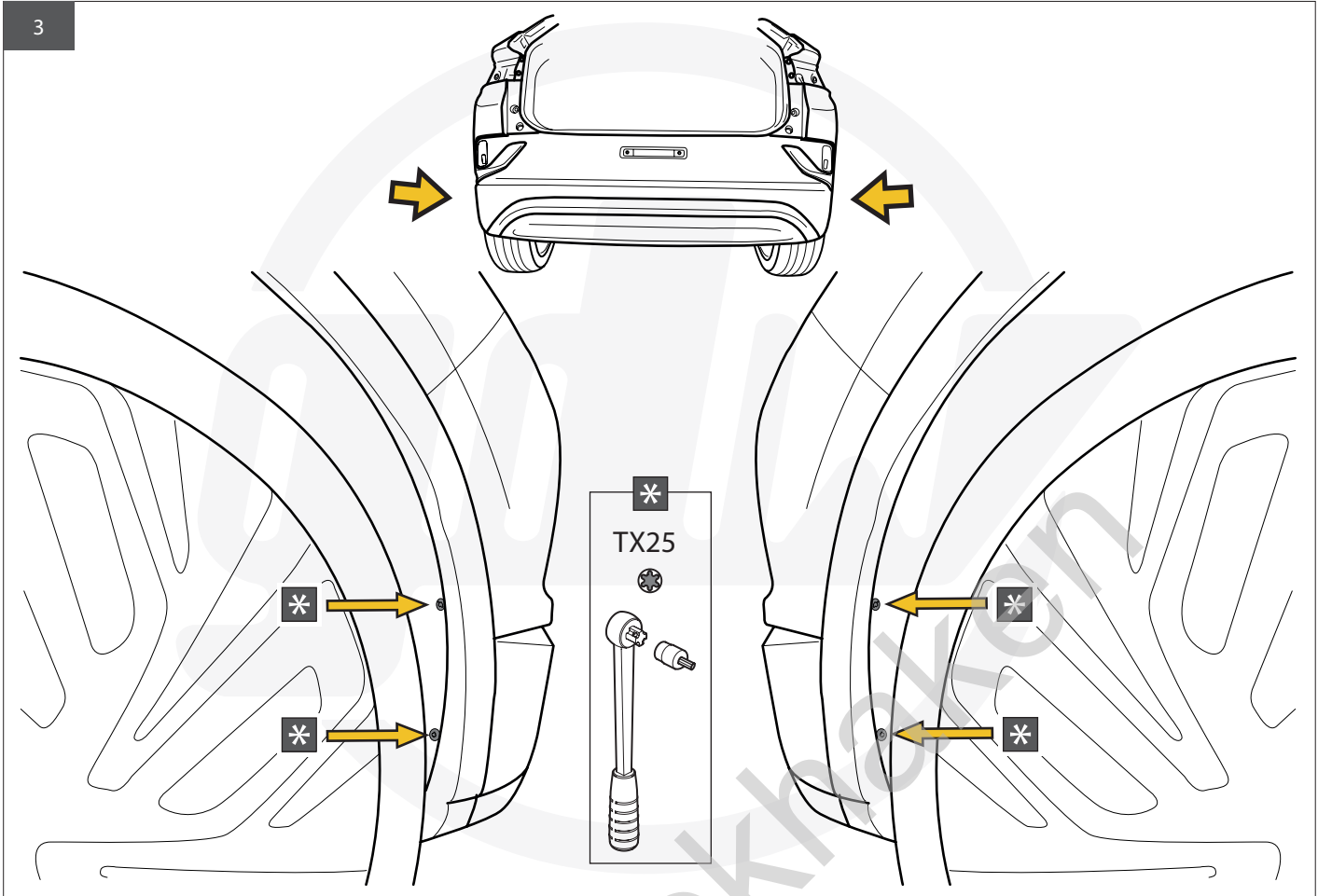
Geleverd met - Livré avec - Delivered with Geliefert mit - Elementos adjuntos-Levers med		X1	GDW REF. 960.V0406
	↑ 	X1	GDW REF. 740.200
		X1	GDW REF. 912.003
	↑ 	X1	GDW REF. 740.112
	↑ 	X1	GDW REF. 740.111
		X1	GDW REF. 740.114
		X1	GDW REF. 718.15.001
		X1	GDW REF. SYST60-10
	↑ 	X3	DIN931-M12 X 110
	↑ 	X3	DIN128A-M12
	↑ 	X6	DIN125A-M12
↑ 	X3	DIN934-M12	

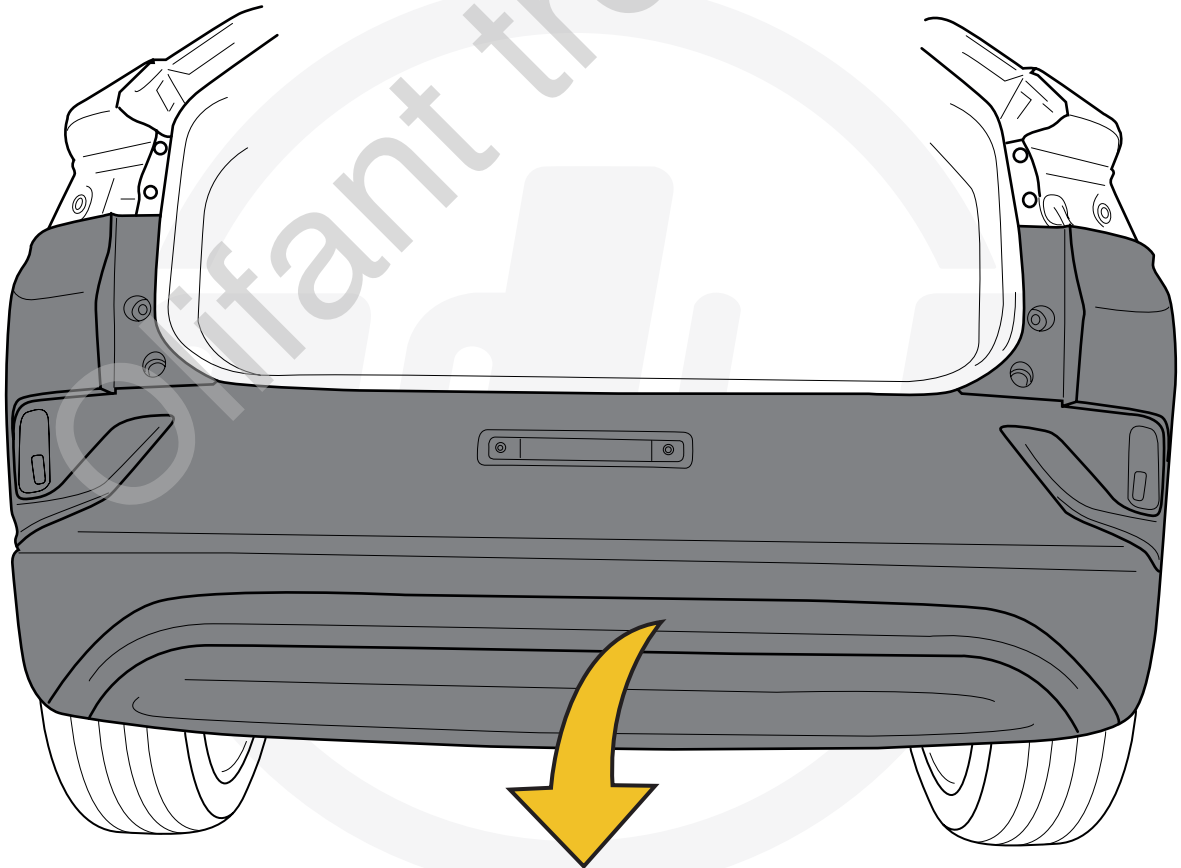
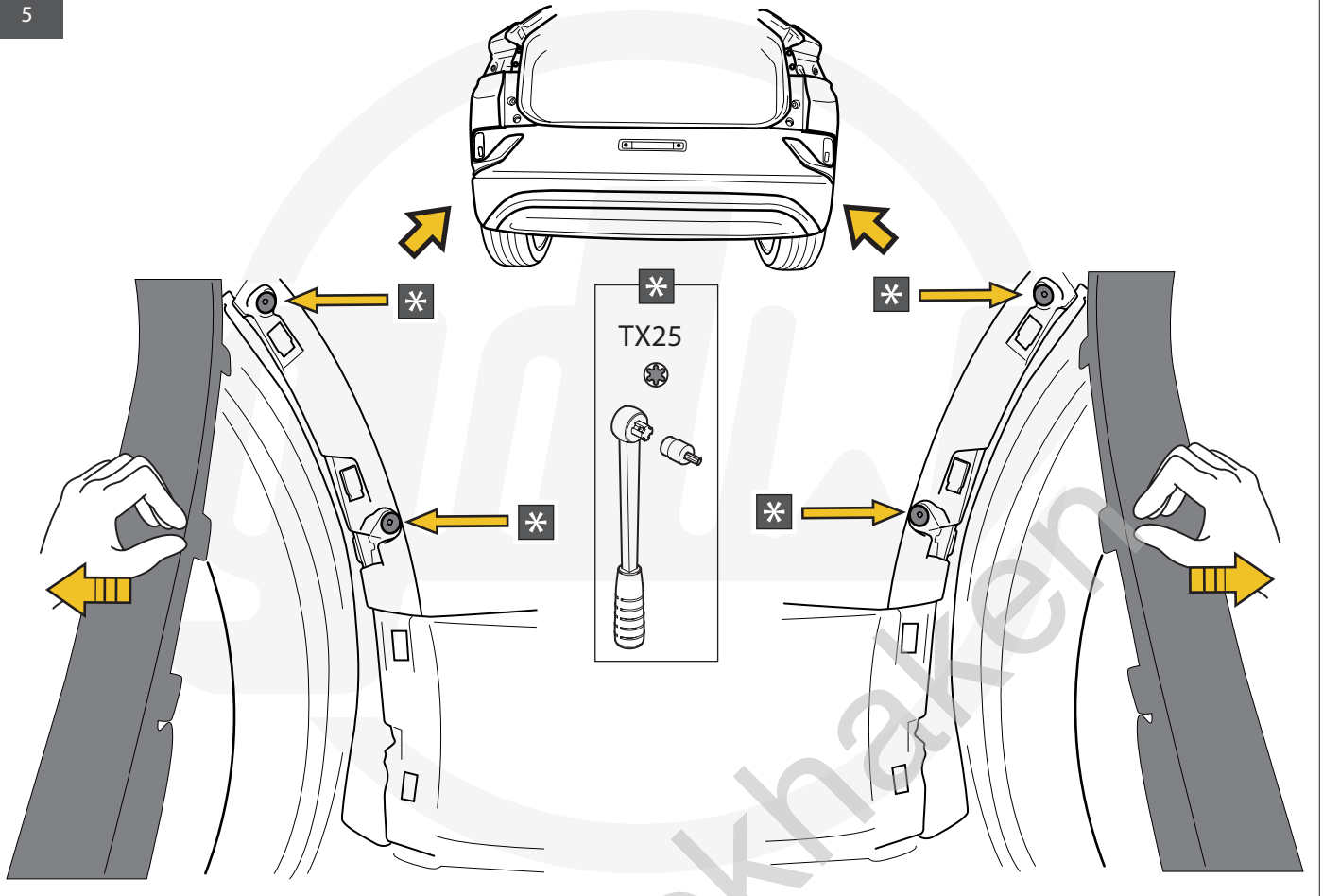
1



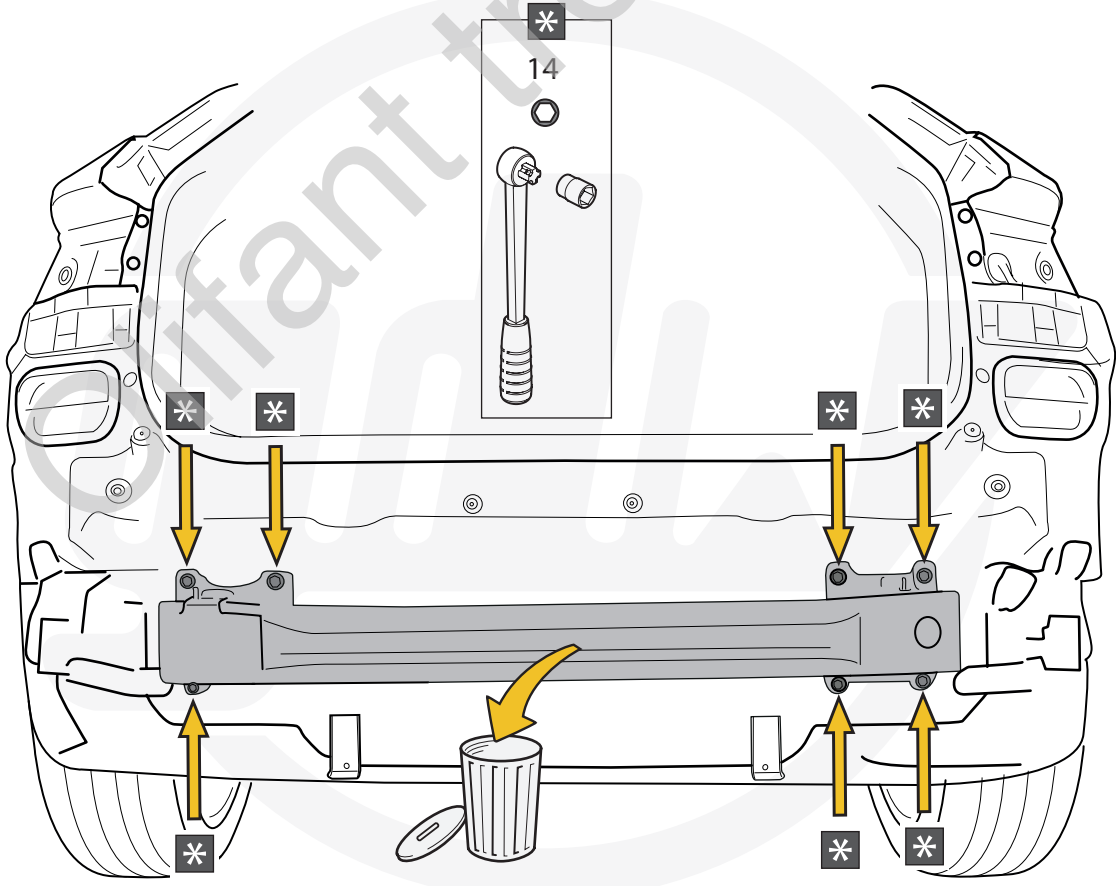
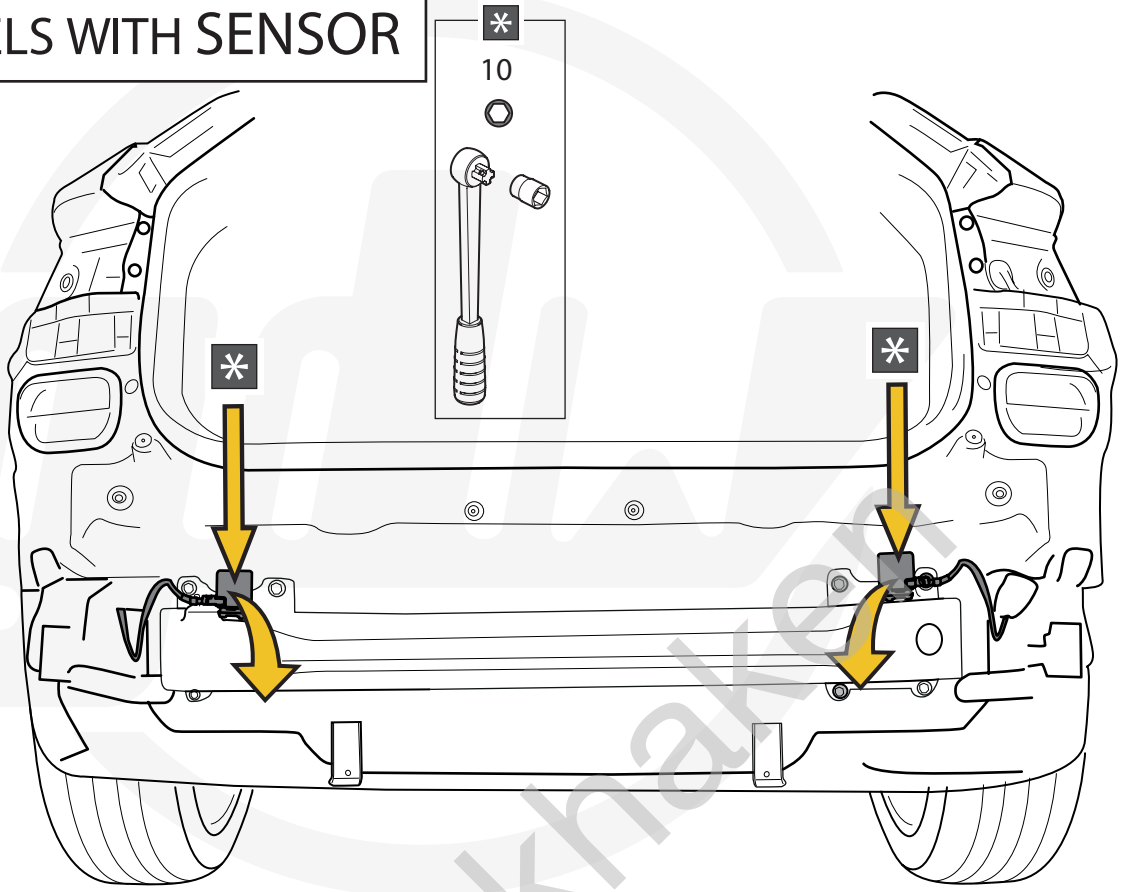
2



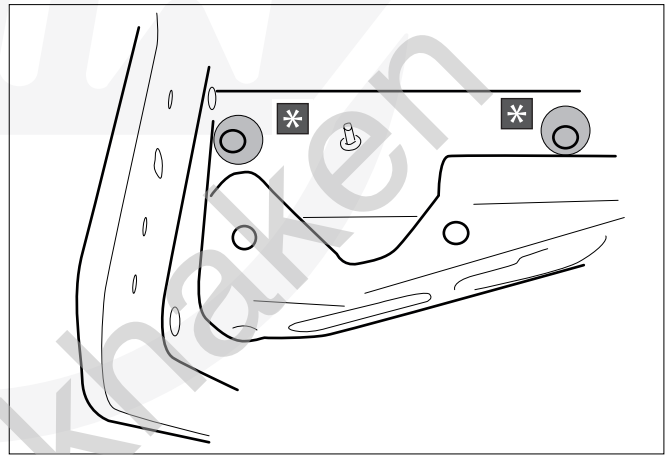
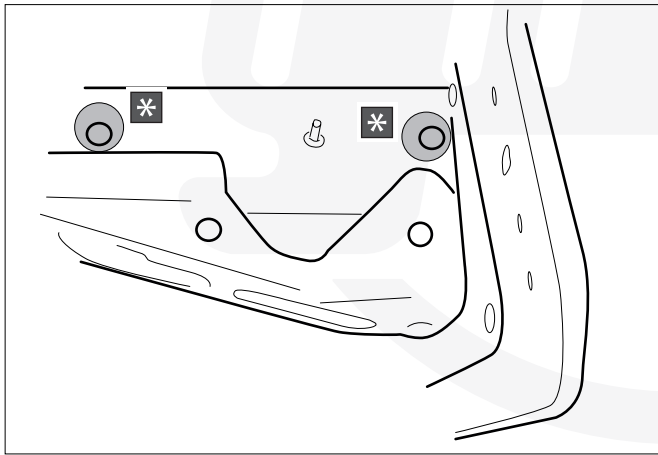
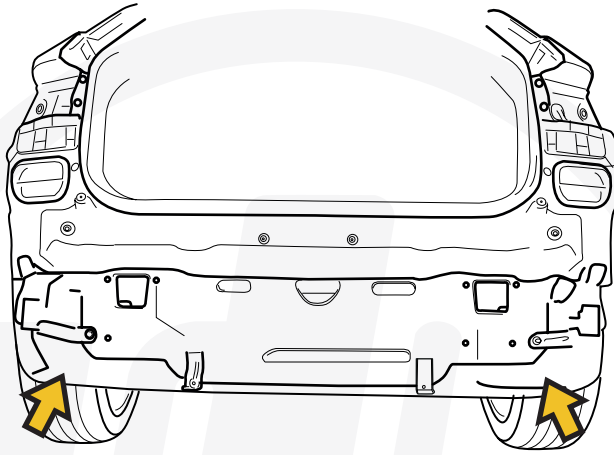
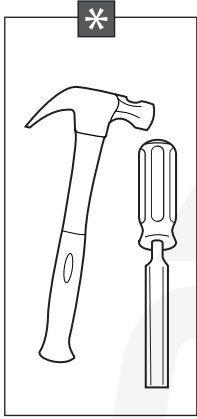




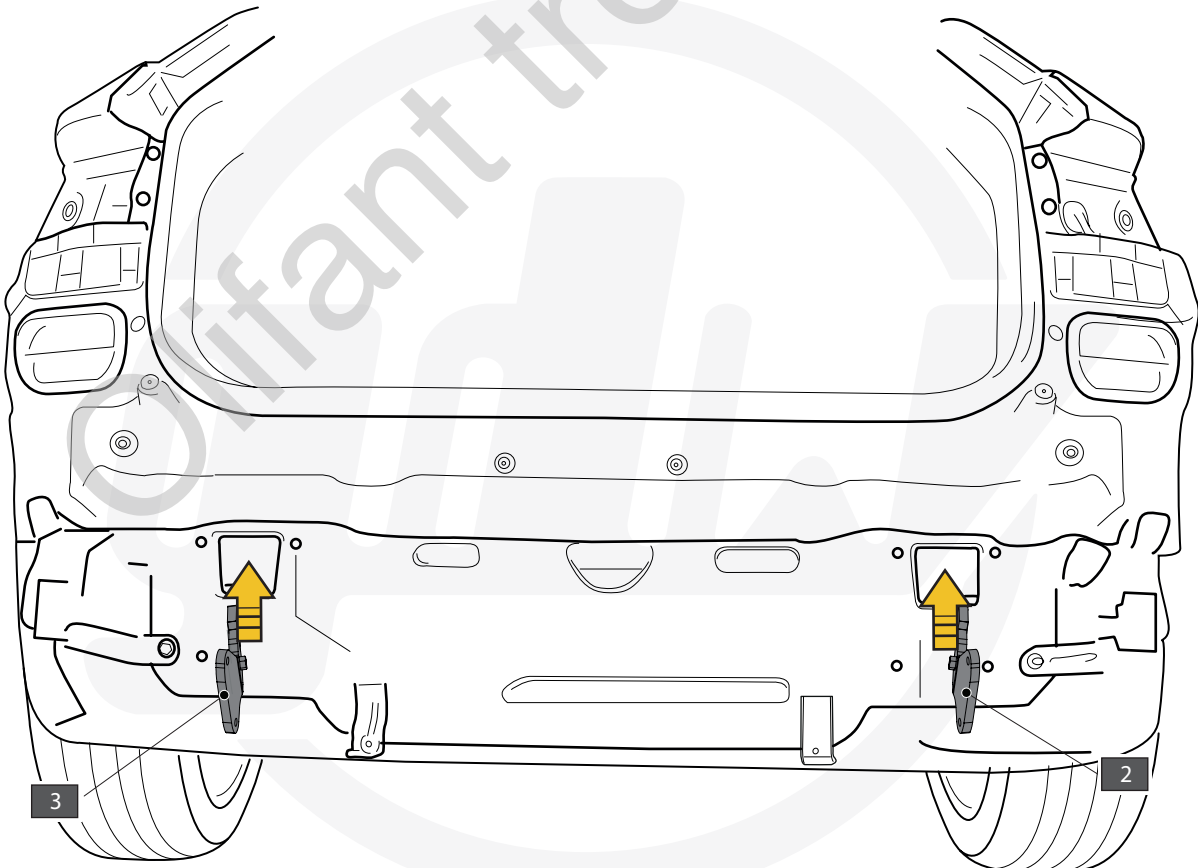
MODELS WITH SENSOR

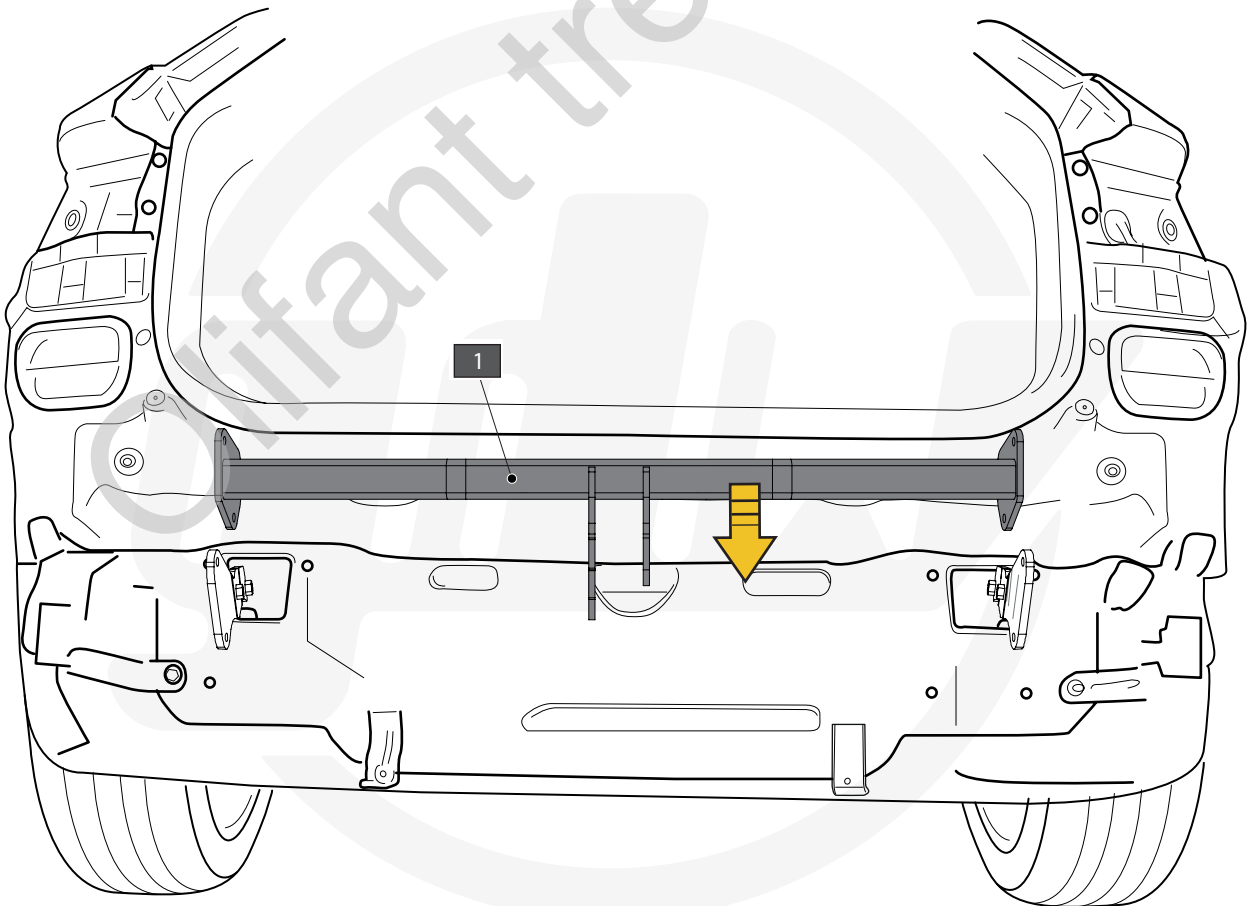
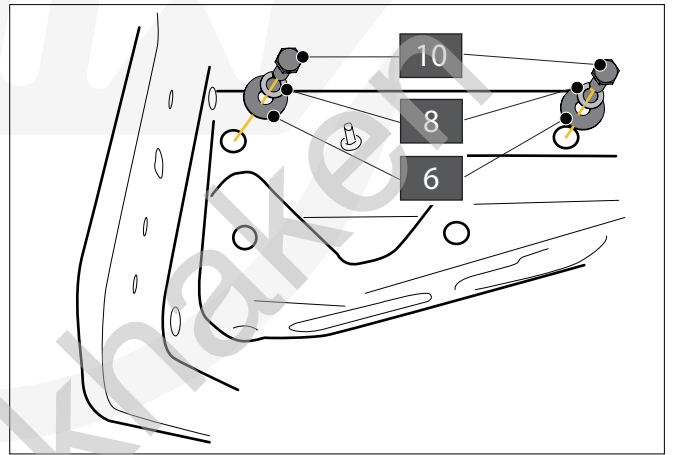
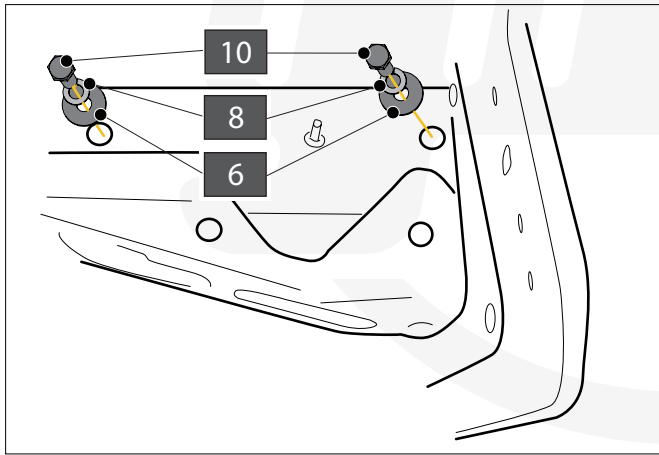
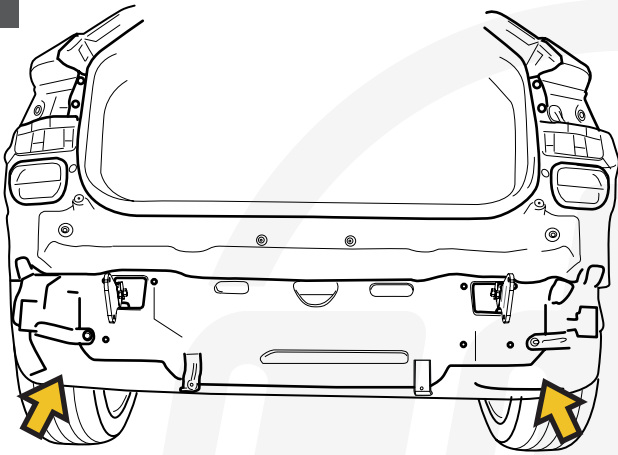


9



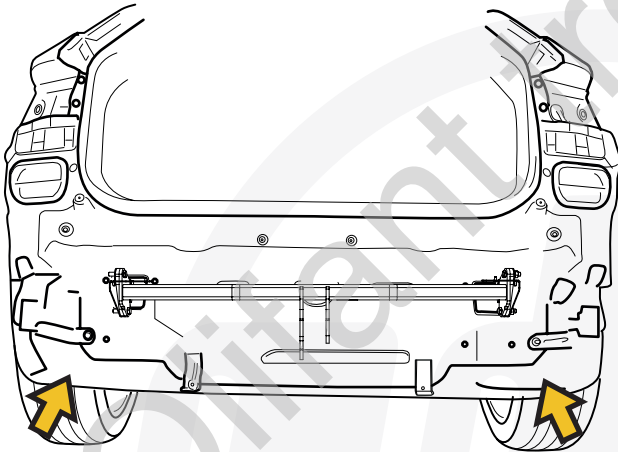
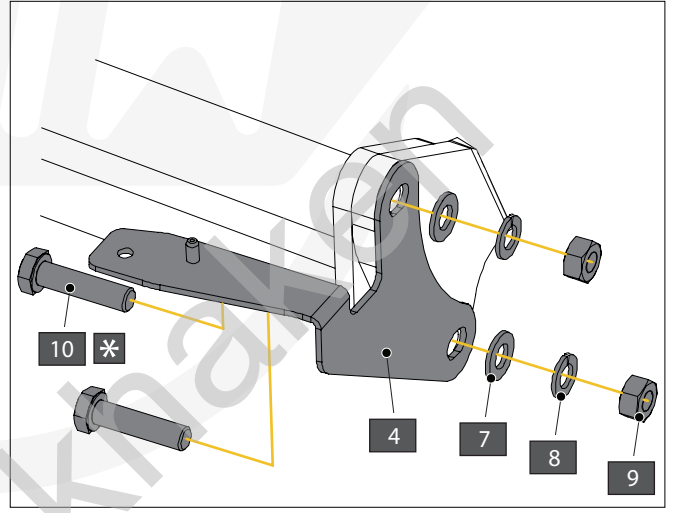
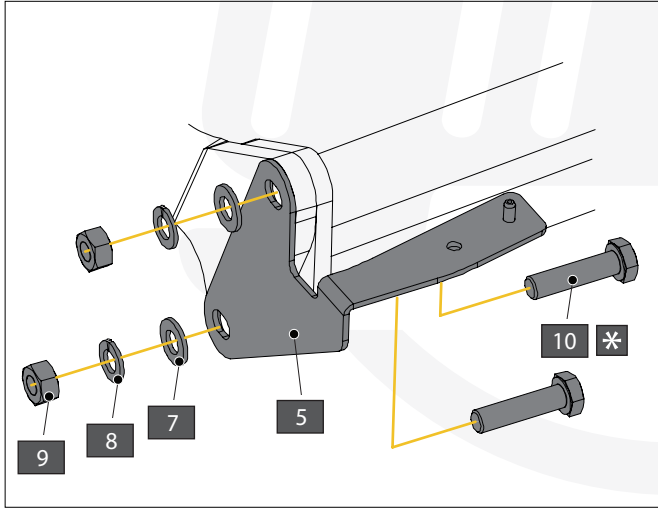
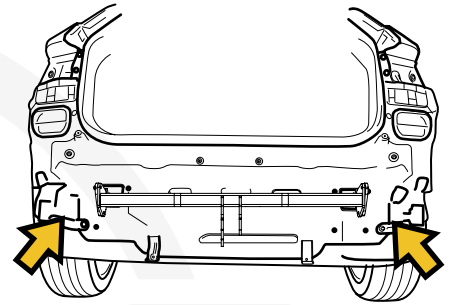
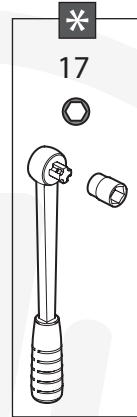
10



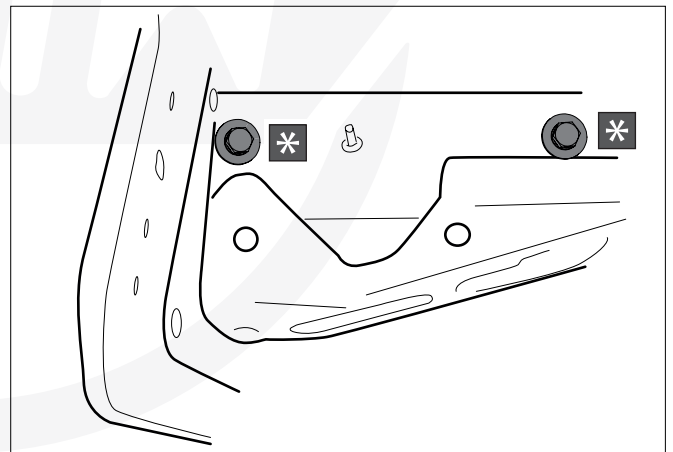
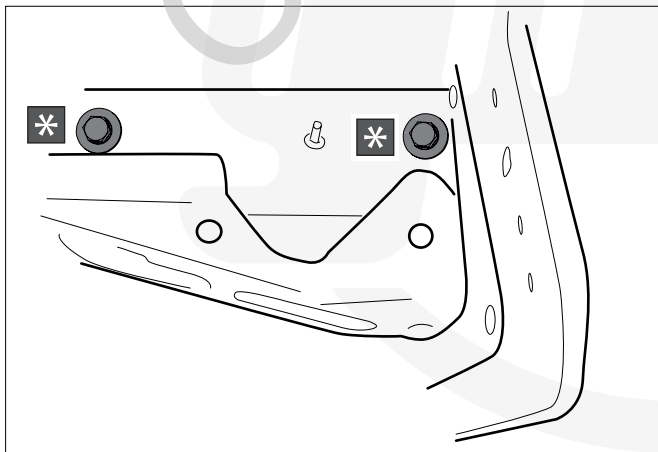
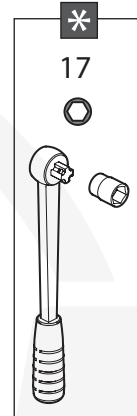


MODELS WITH SENSOR

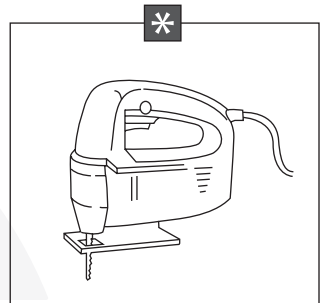
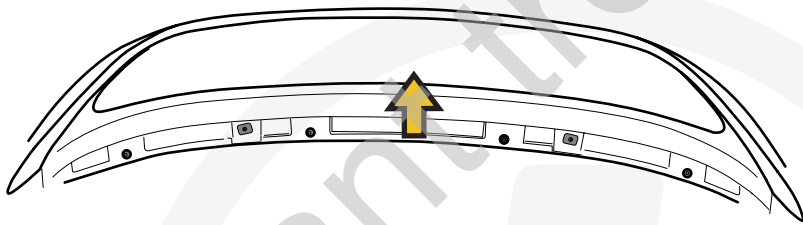
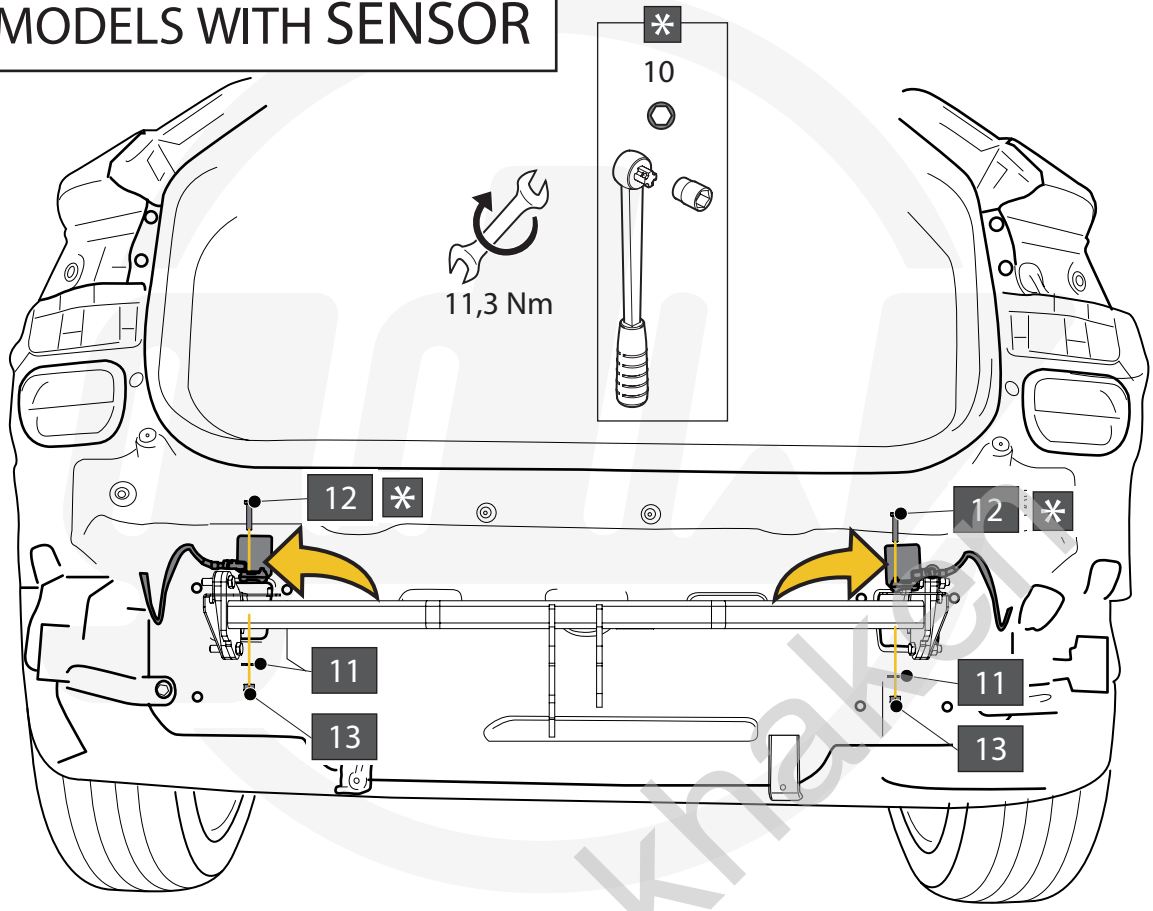
54,0 Nm



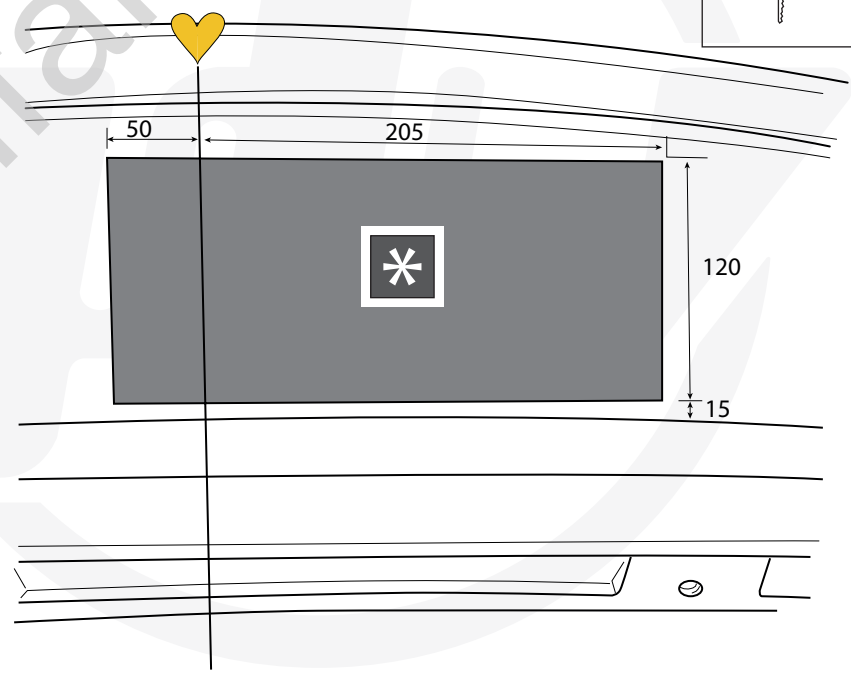
54,0 Nm

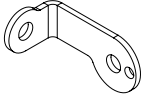



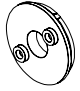
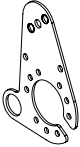



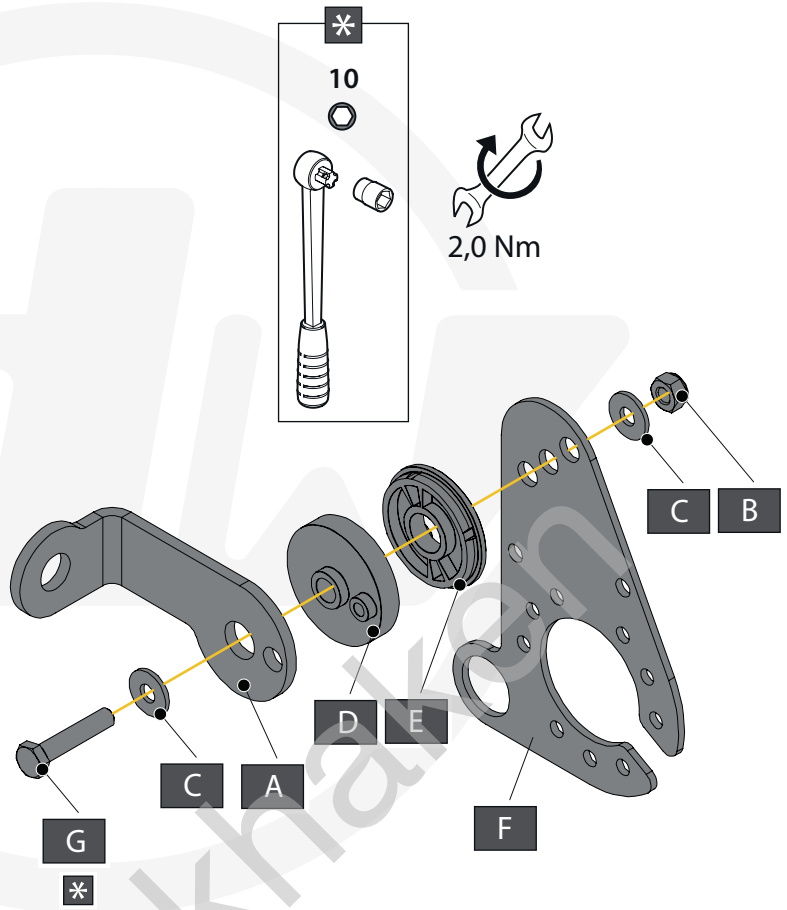
MODELS WITH SENSOR

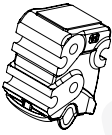






ID.4



A		X1 GDW REF. 908.101
B		X1 DIN985-M6
C		X2 Ø15,4 X 6,2 X 1,6 (NYLON)
D		X1 GDW REF. 718.16.002
E		X1 GDW REF. 718.16.003
F		X1 GDW REF. 908.094
G		X1 DIN933-M6 X 30



A		X1 912.003
B		X3 DIN931-M12X110
C		X6 DIN125A-M12
D		X3 DIN128A-M12
E		X3 DIN934-M12

