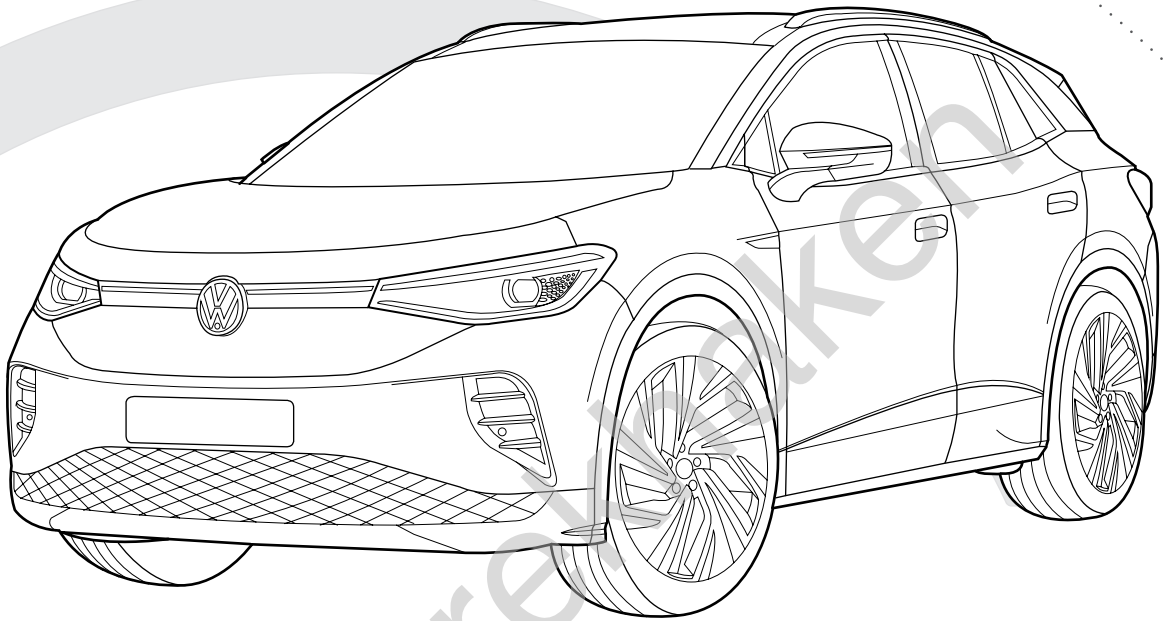


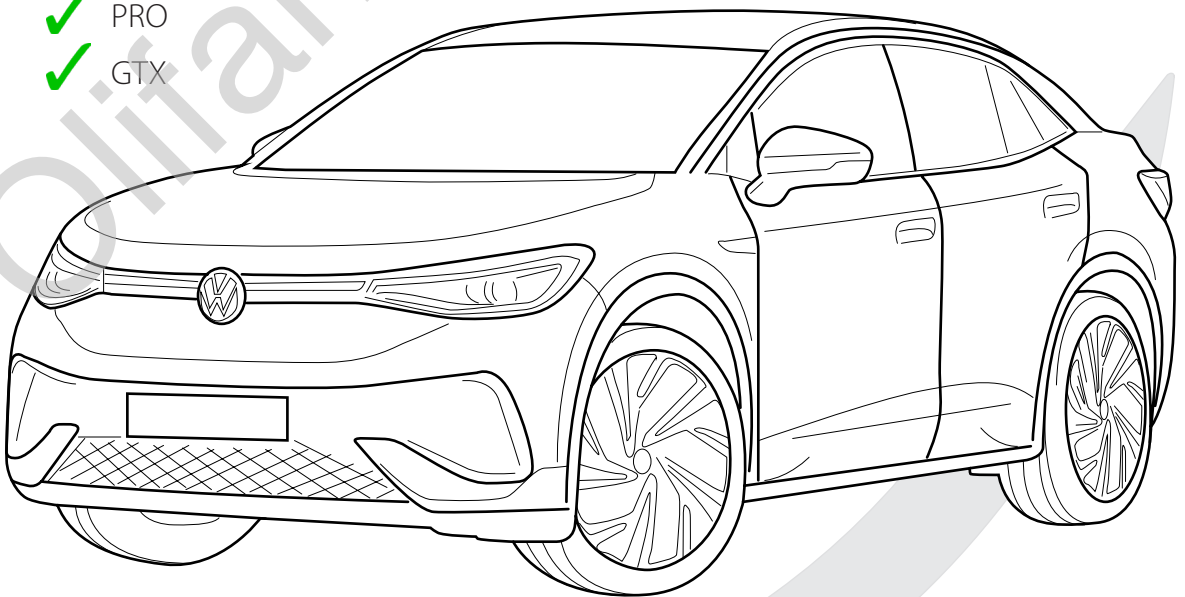


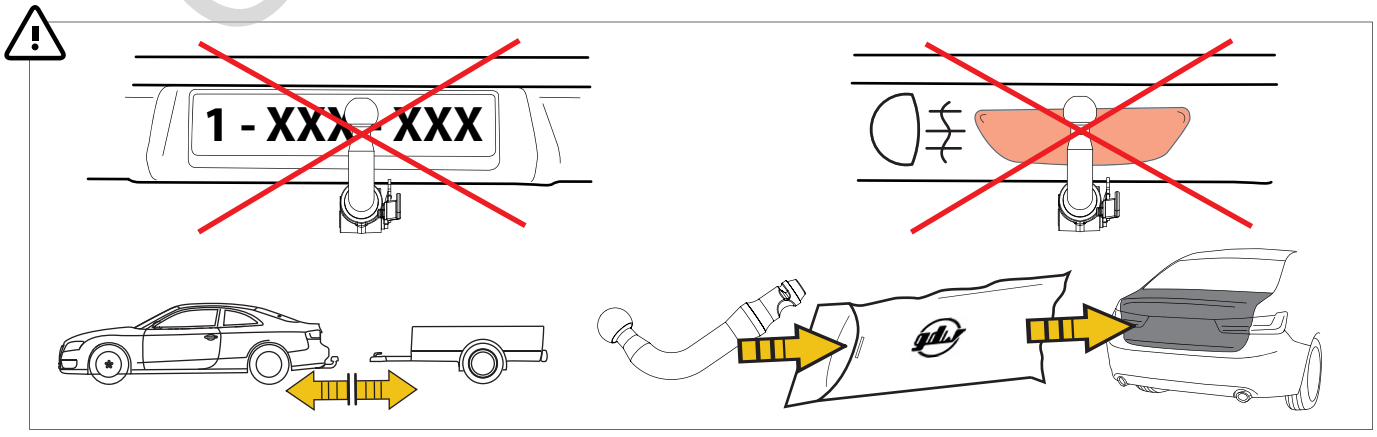
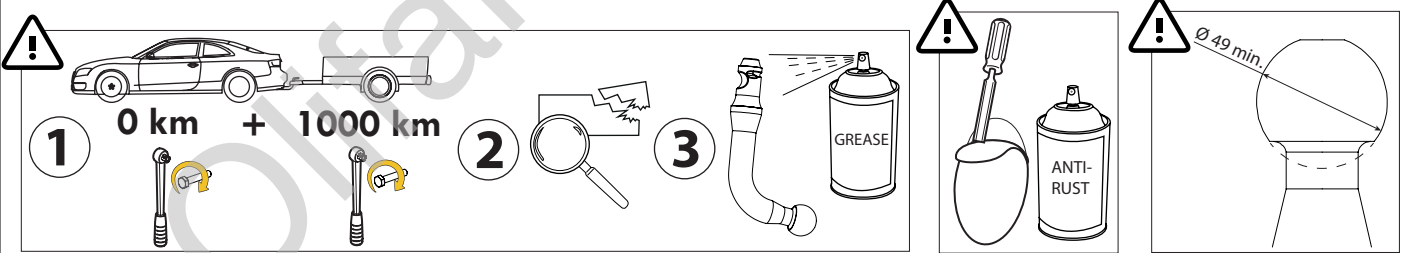
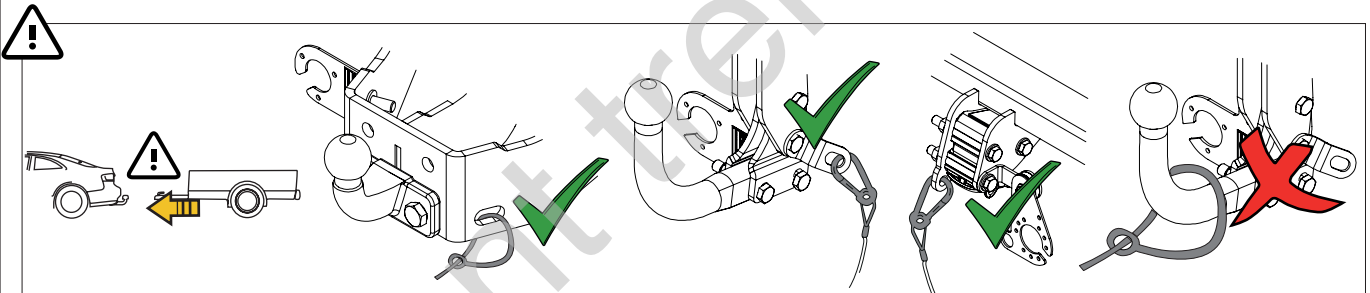
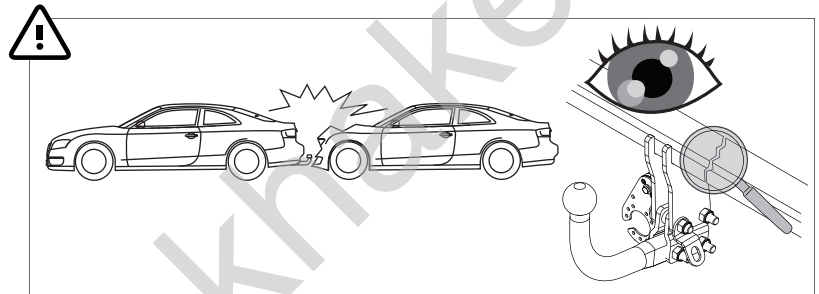
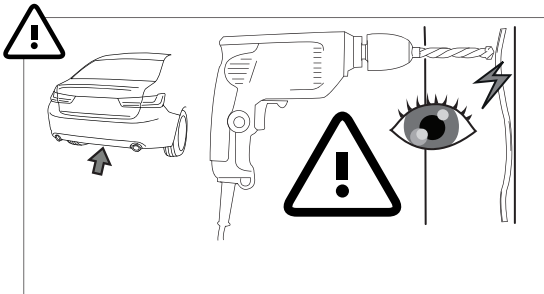
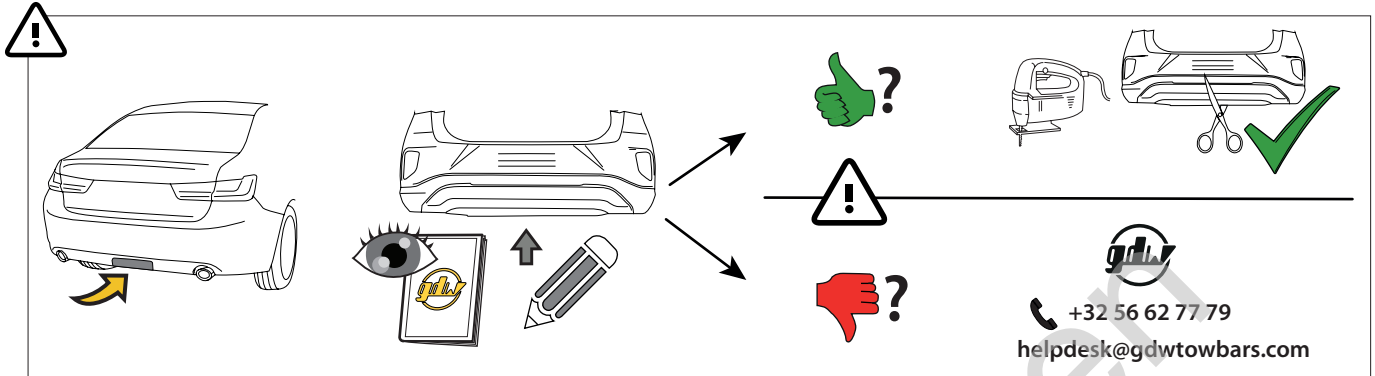
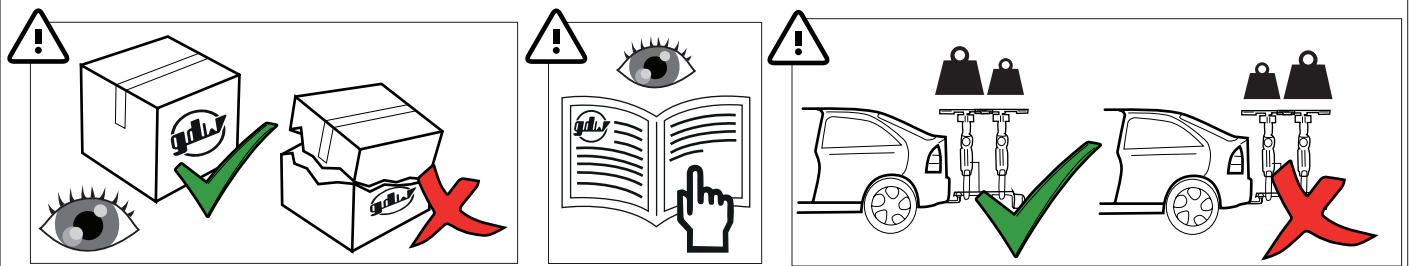
Volkswagen ID.4 (type E21) 05/'20 -




Volkswagen ID.5 (type E39) 01/'22 -

- ✓ PRO
- ✓ GTX






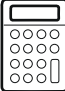
MADE BY  **D 9,70** **F** **E6**

BELGIUM **S 75** EC-N° 55R - 02 1755

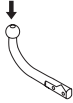
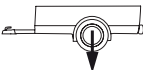
REF N° 2709 SERIAL N° XXXX

DESCRIPTION

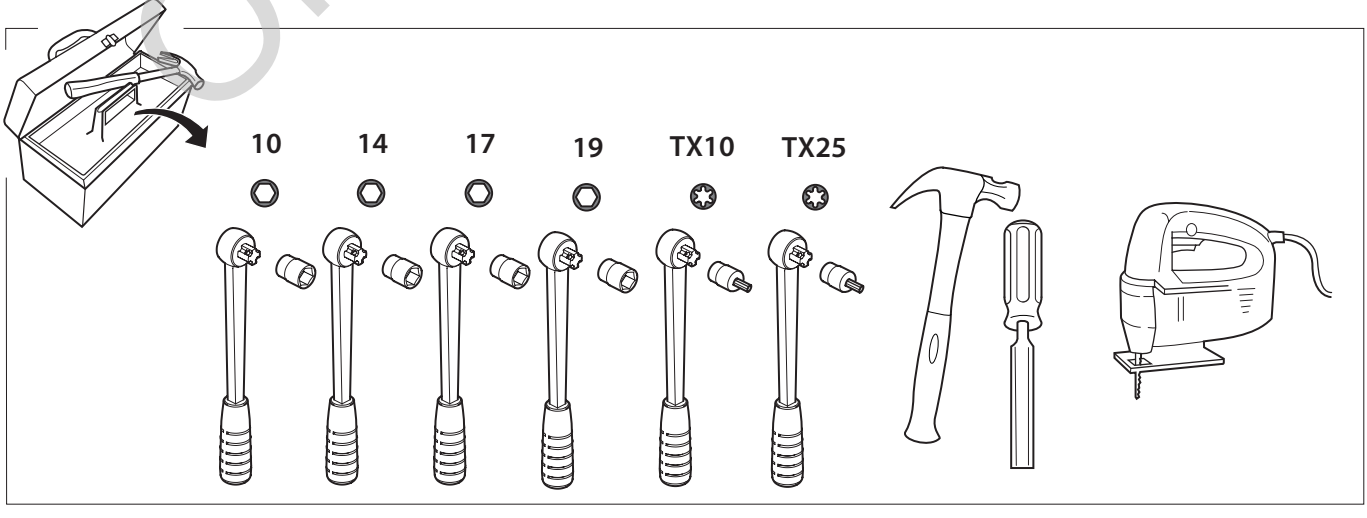
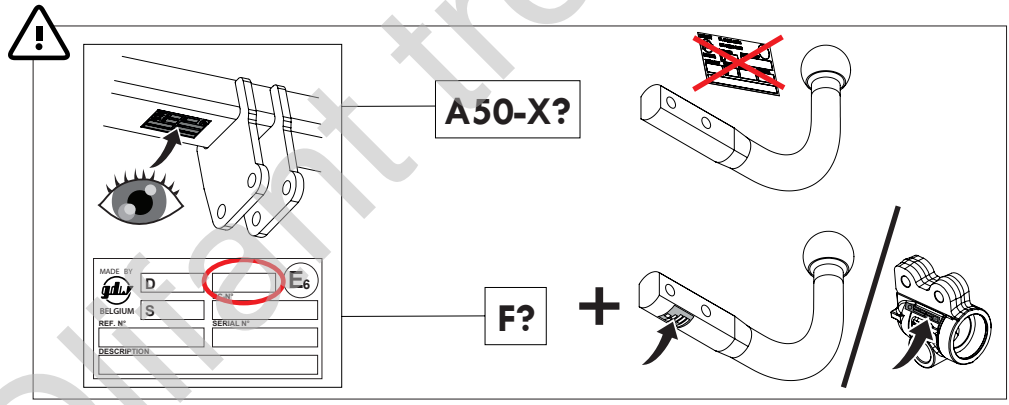
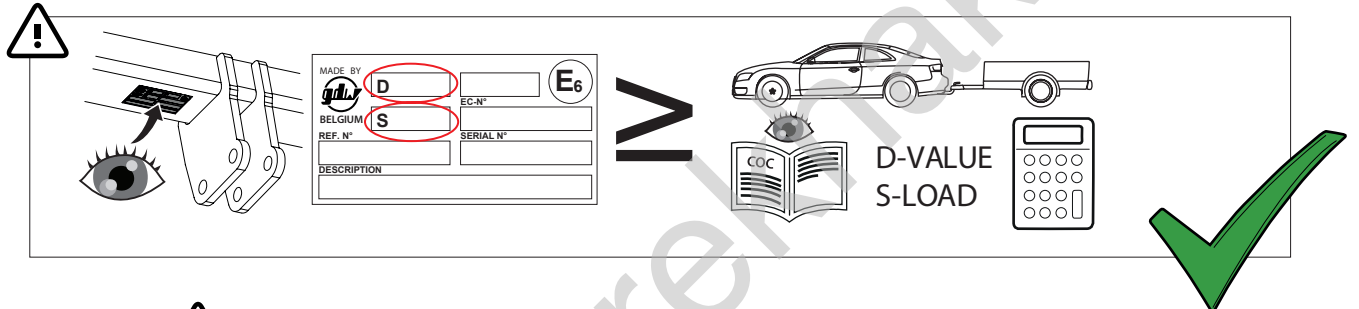
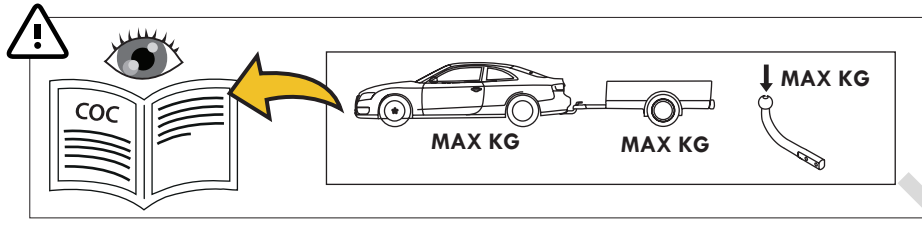
Volkswagen ID.4 05/20- + ID.5 01/22-

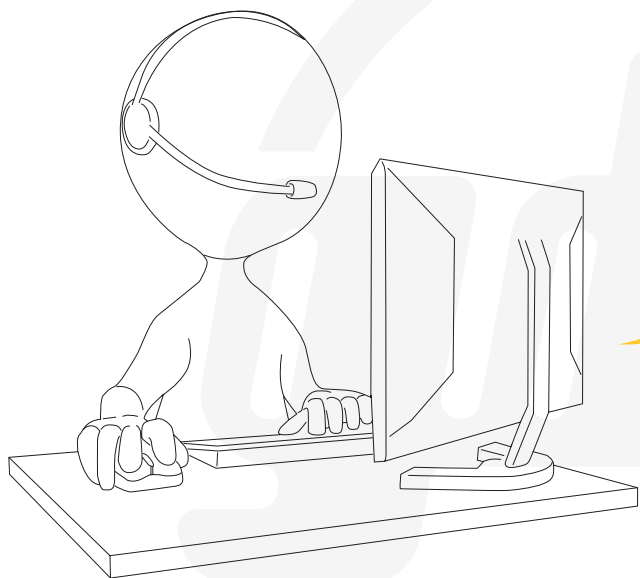
 

D = $\frac{\text{max kg (car)} \times \text{max kg (trailer)}}{\text{max kg (car)} + \text{max kg (trailer)}} \times 0.00981 \leq 9,70 \text{ kN}$

S =  $\leq 75 \text{ kg}$  $\leq 1500 \text{ kg}$

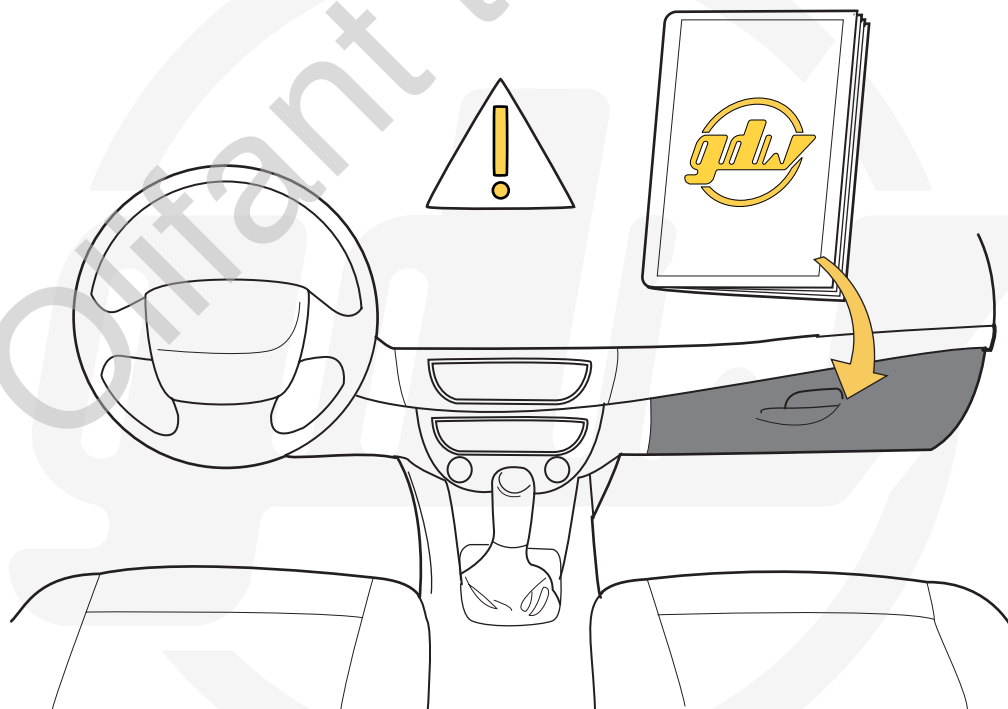
See the Certificate Of Conformity (COC) of your vehicle or contact your dealer to verify the max. trailer weight of your car!

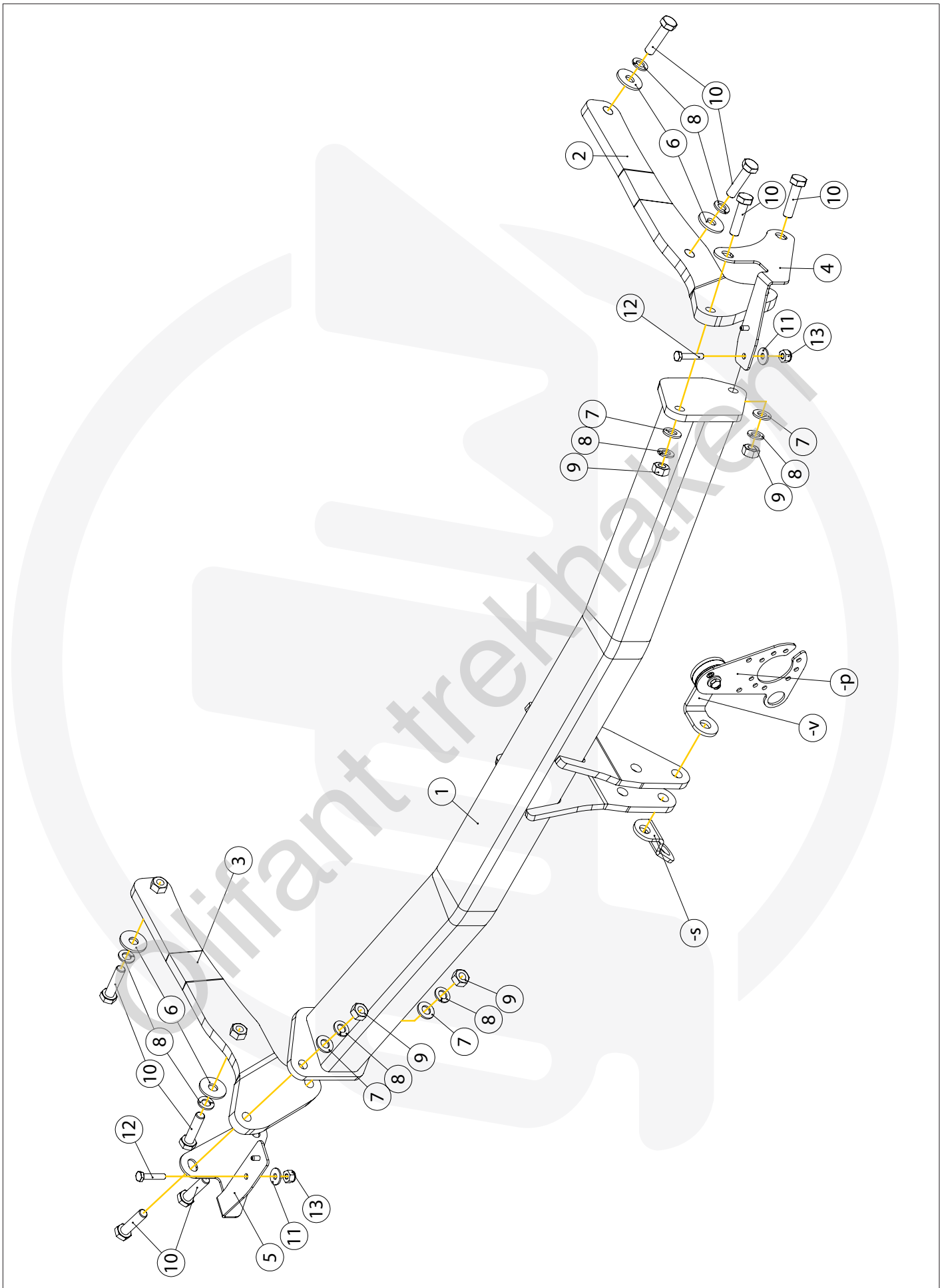


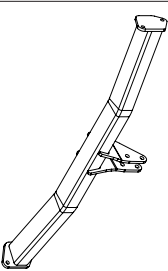
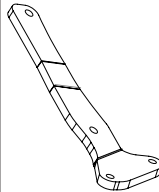
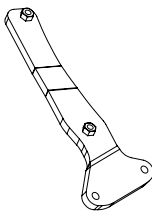

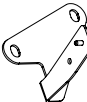
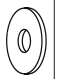


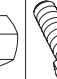


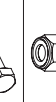





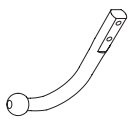
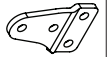
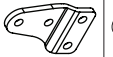


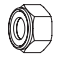
helpdesk@gdwtowbars.com
+32 56 62 77 79

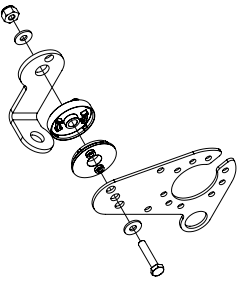
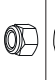


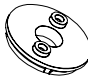
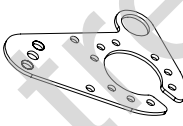


Monday	08:00 - 12:00	12:30 - 16:30
Tuesday	08:00 - 12:00	12:30 - 16:30
Wednesday	08:00 - 12:00	12:30 - 16:30
Thursday	08:00 - 12:00	12:30 - 16:30
Friday	08:00 - 12:00	12:30 - 15:30






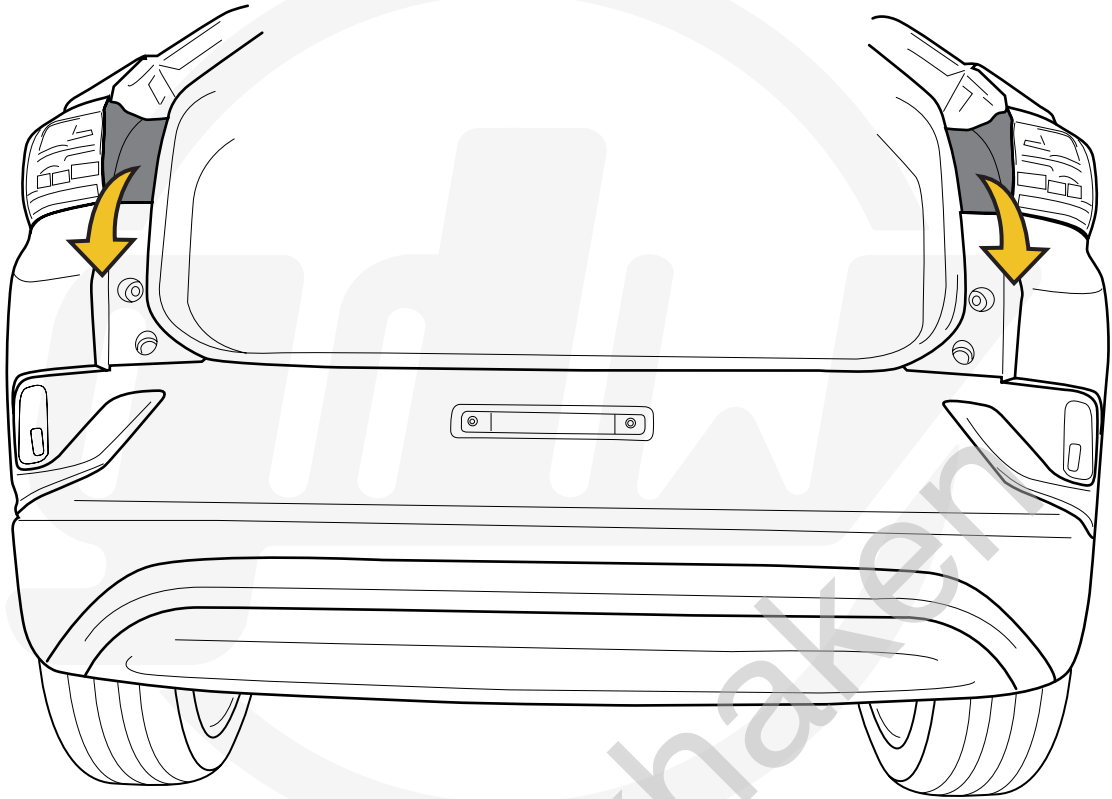
1		GDW REF. 2709	X1	
2		GDW REF. 2	X1	
3		GDW REF. 3	X1	
4		GDW REF. 4	X1	
5		GDW REF. 5	X1	
6		DIN9021-M10-ELVZ	X4	
7		DIN125-A10-140HV-ELVZ	X4	
8		DIN128A-M10	X8	
9		DIN934-M10	X4	
10		DIN933-M10 X 40	X8	
11		DIN9021-M6-ELVZ	X2	
12		DIN931-M6 X 30	X2	
13		DIN985-M6	X2	
-S		GDW REF. 900.053	X1	
-V		GDW REF. 908.102	X1	

<p>Geleverd met - Livré avec - Delivered with Geliefert mit - Elementos adjuntos - Leverages med - Forniti insieme</p>		X1	944-J039
		X1	GDW REF. 900.025
		X1	GDW REF. 900.026
		X2	GDW REF. 900.011 Ø 21.3 X 11.7
		X4	DIN931-M12 X 70
		X4	DIN985-M12

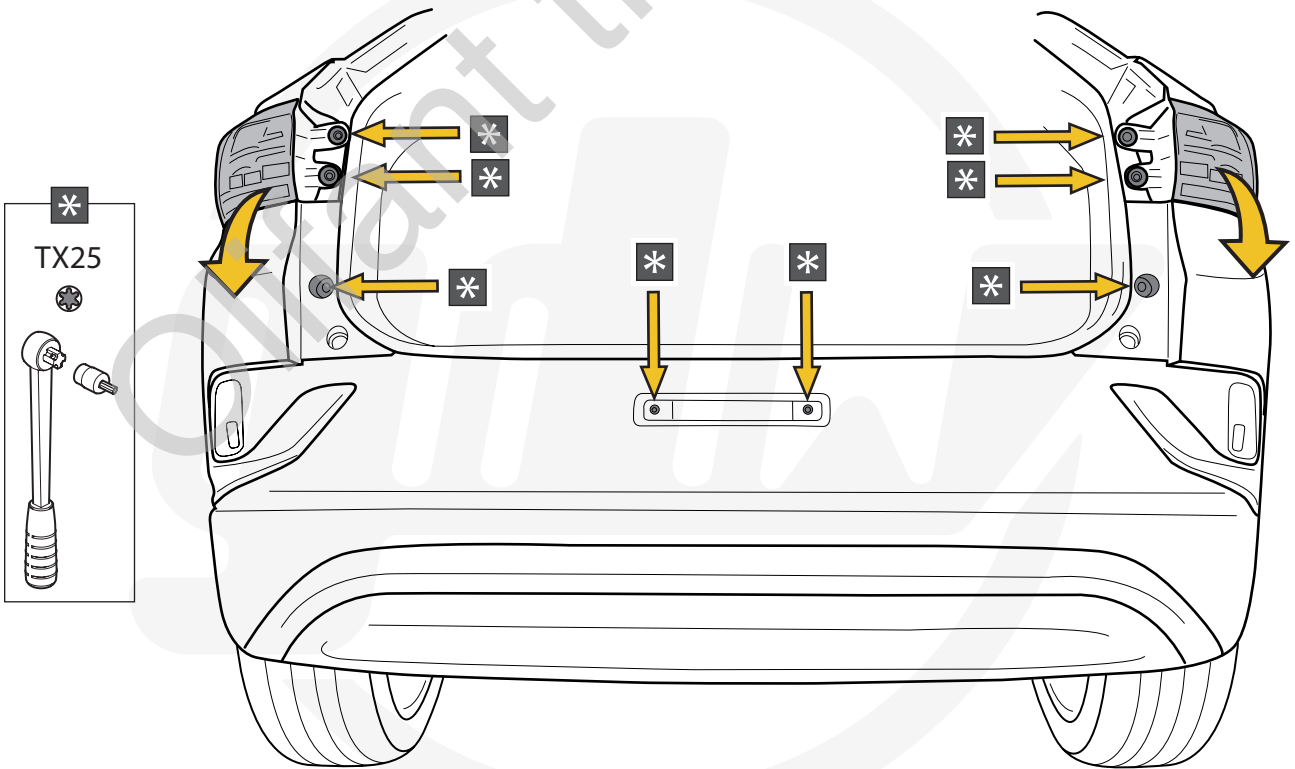
<p>-P</p>		X1	GDW REF. P47
		X1	DIN985-M6
		X2	6,2 X 15,4 X 1,6 (NYLON)
		X1	GDW REF. 718.16.002
		X1	GDW REF. 718.16.003
		X1	GDW REF. 908.094
<p>-L</p>		X1	DIN933-M6 X 30
		X1	GDW REF. 908.102

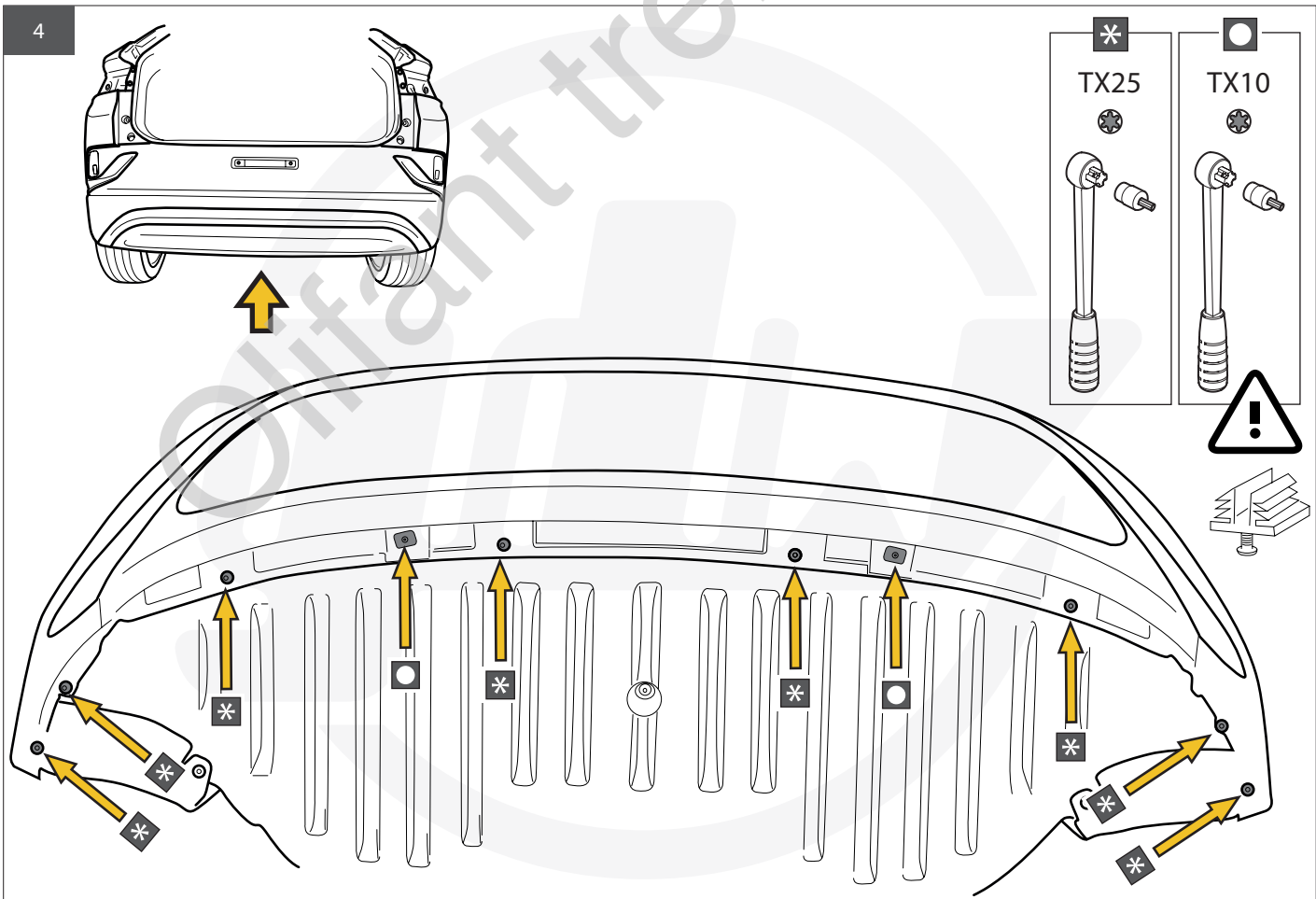
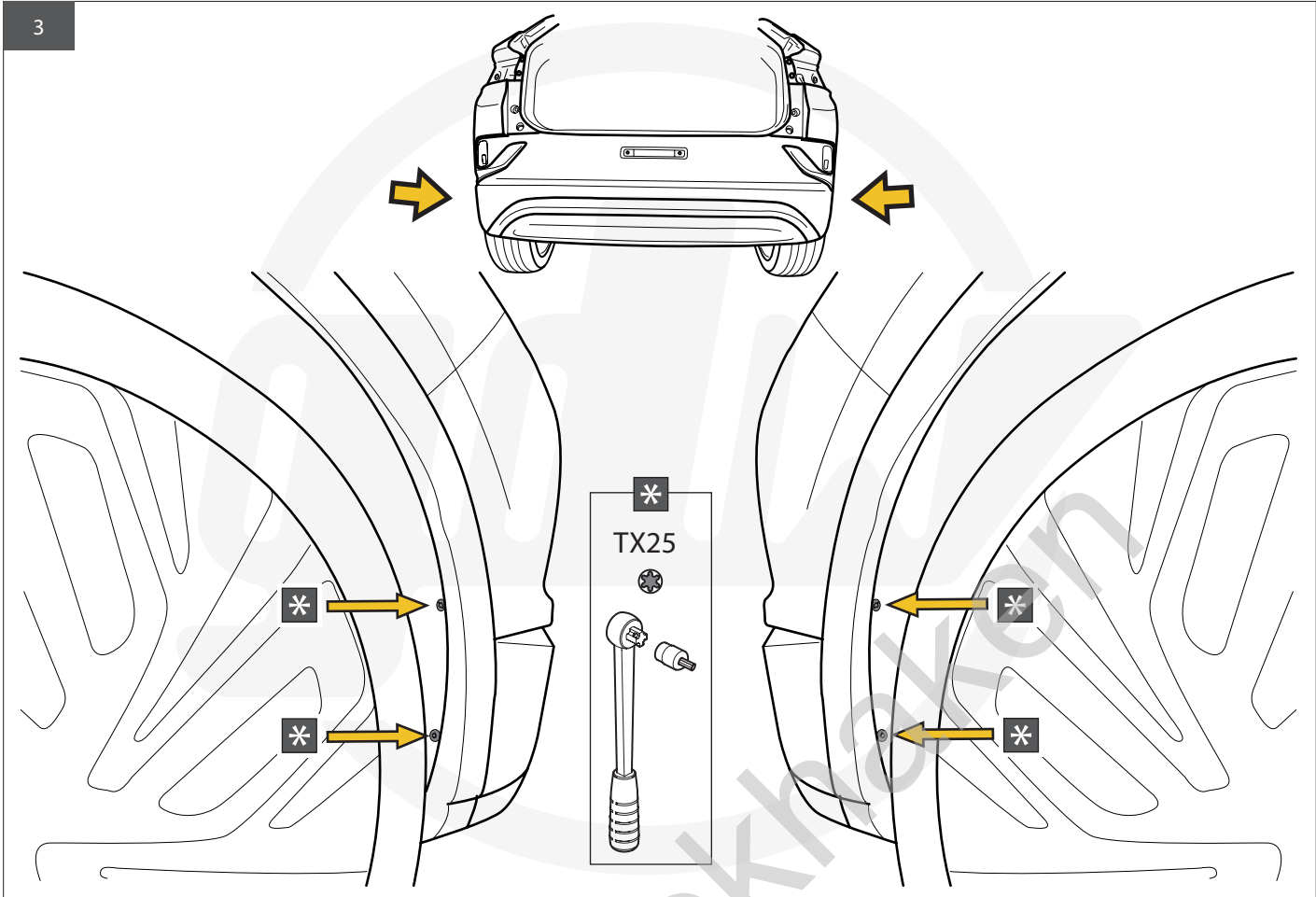
OPTION T38			
	X1	KIT T38-2709	

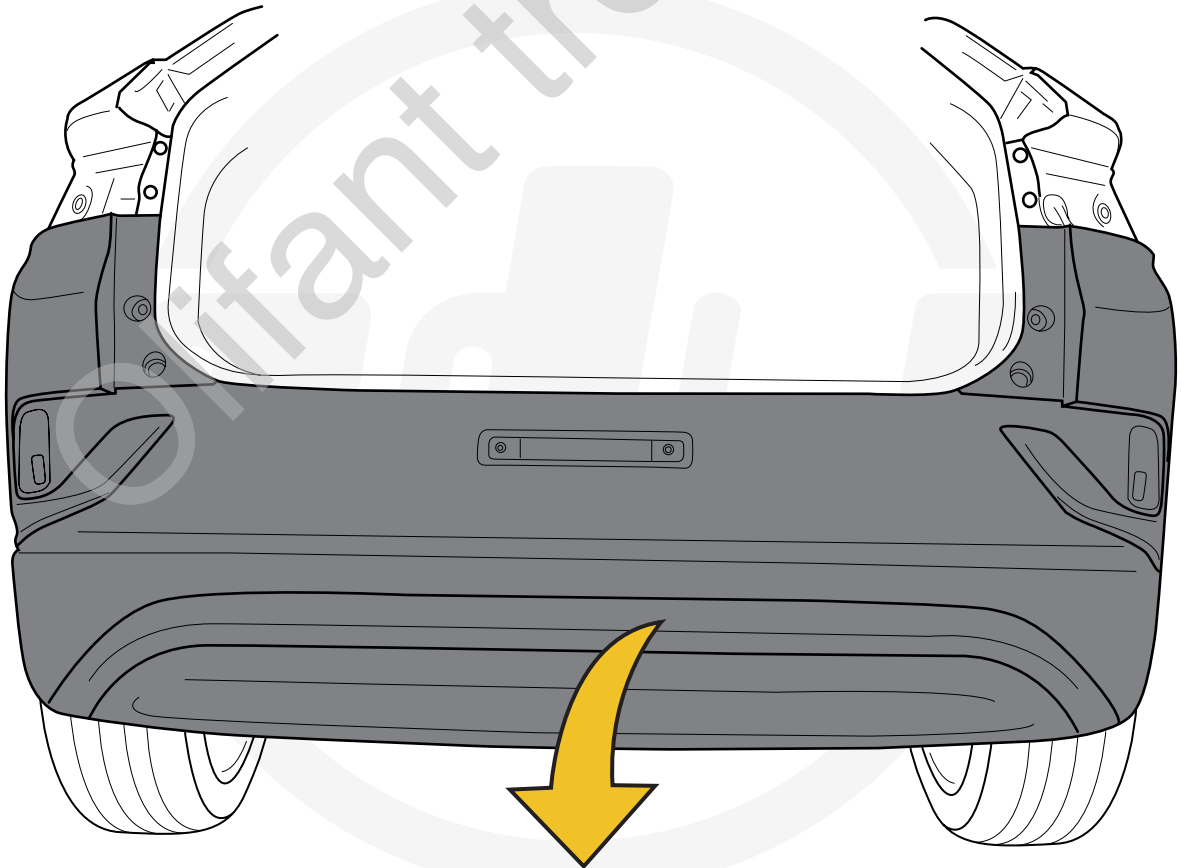
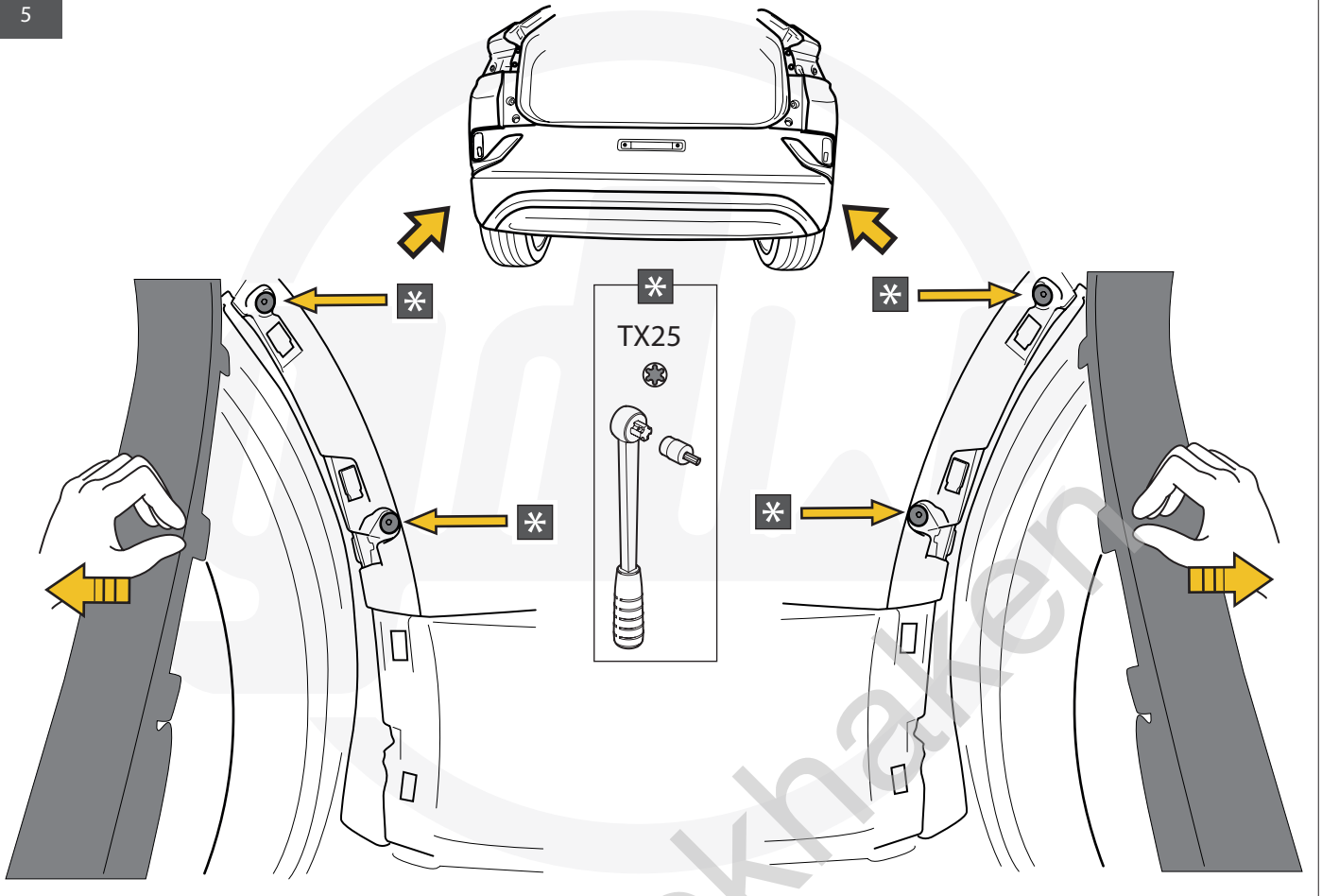
1



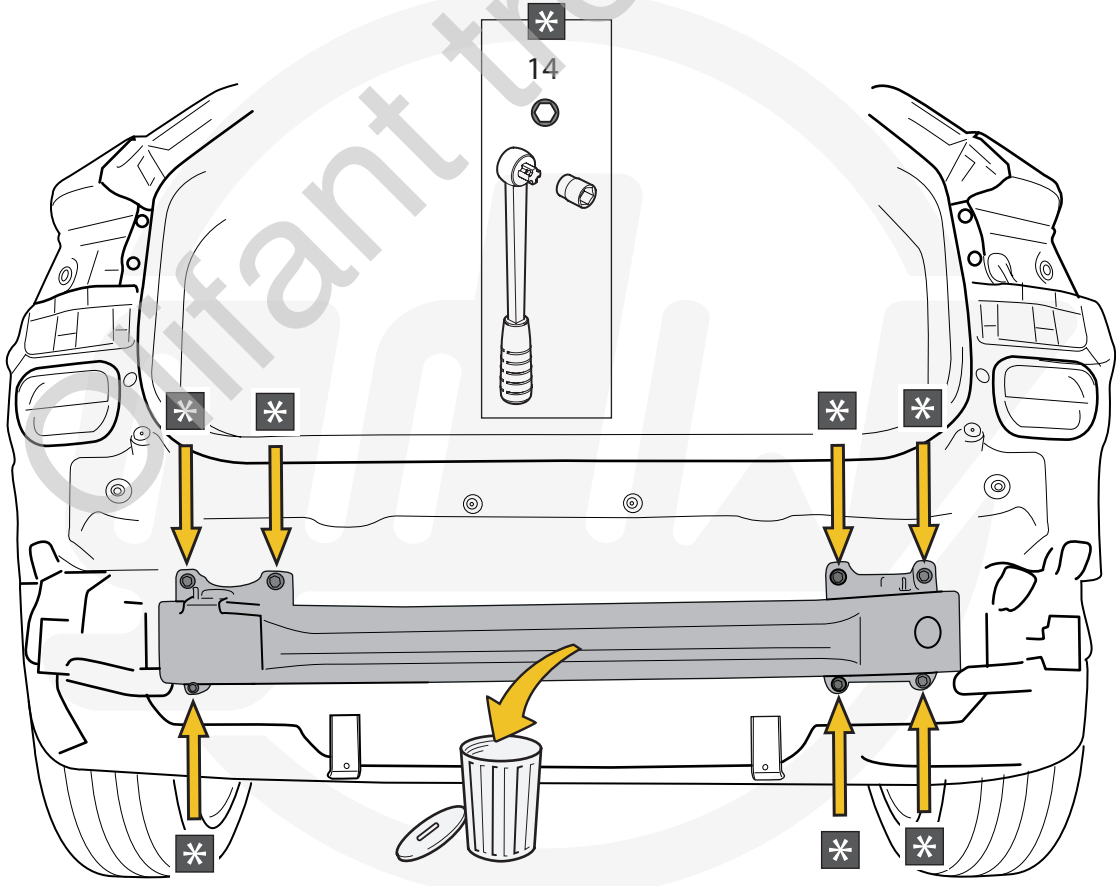
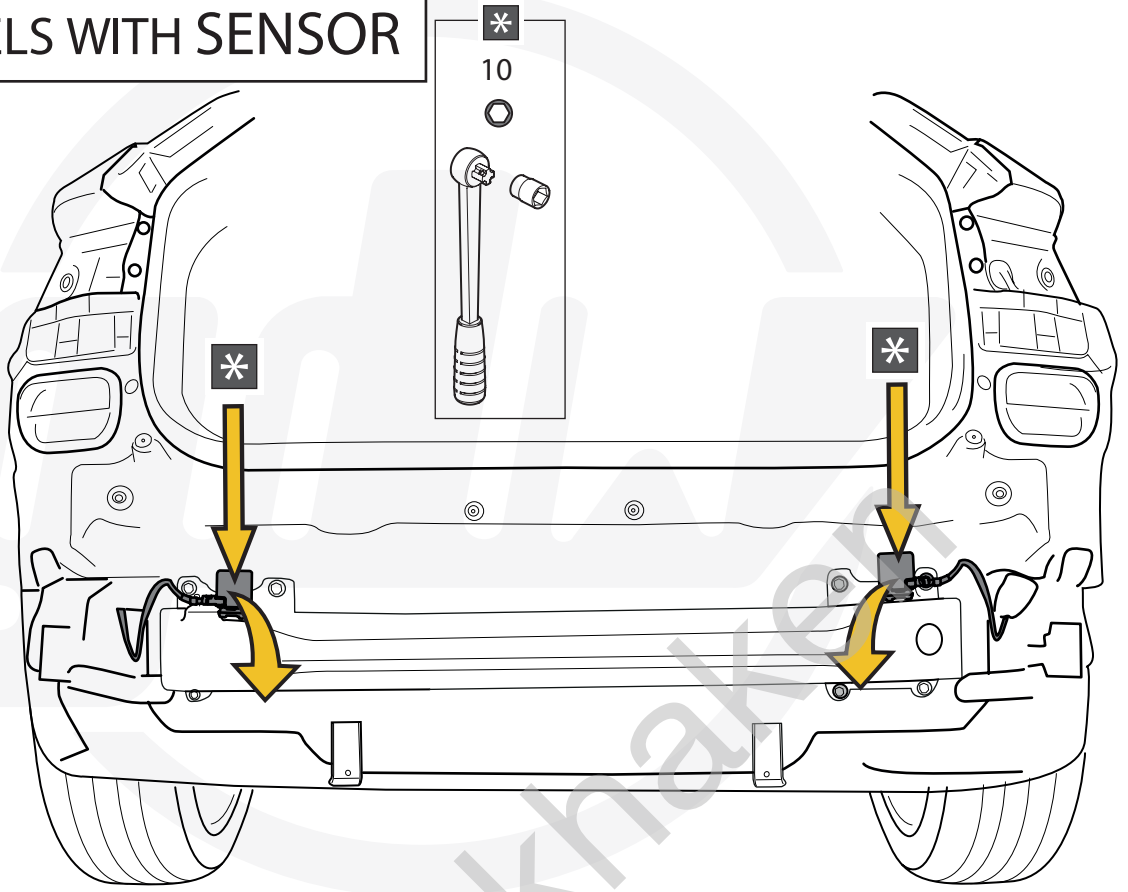
2



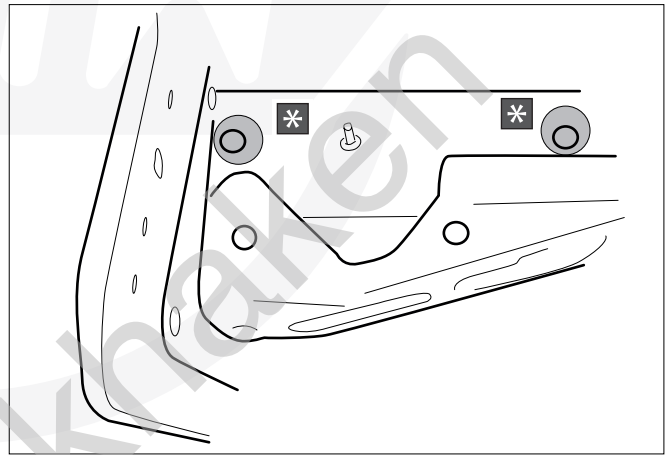
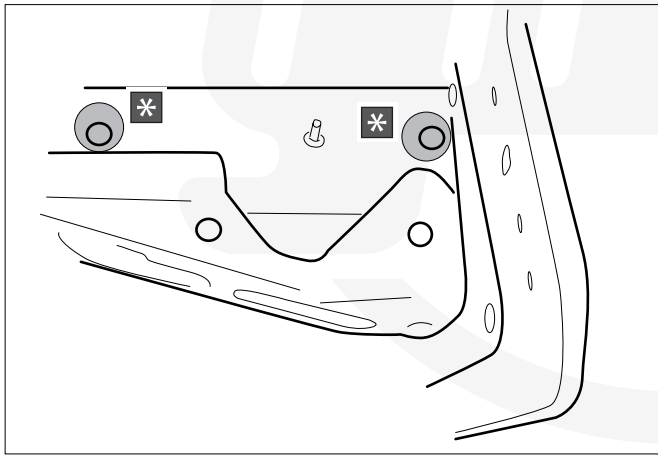
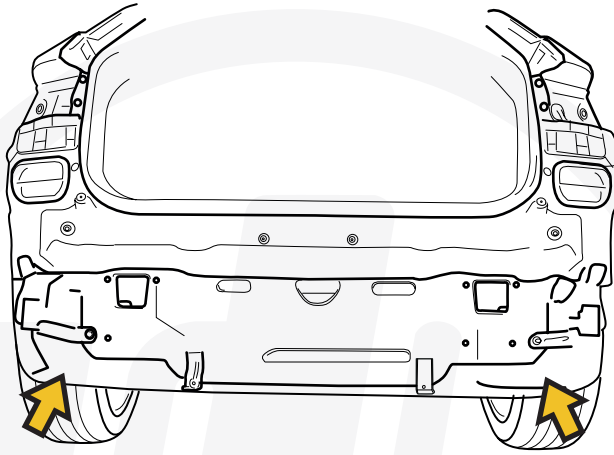
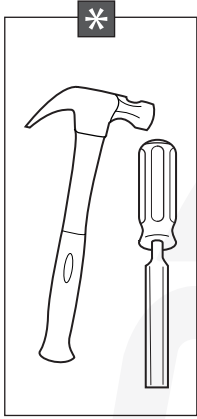




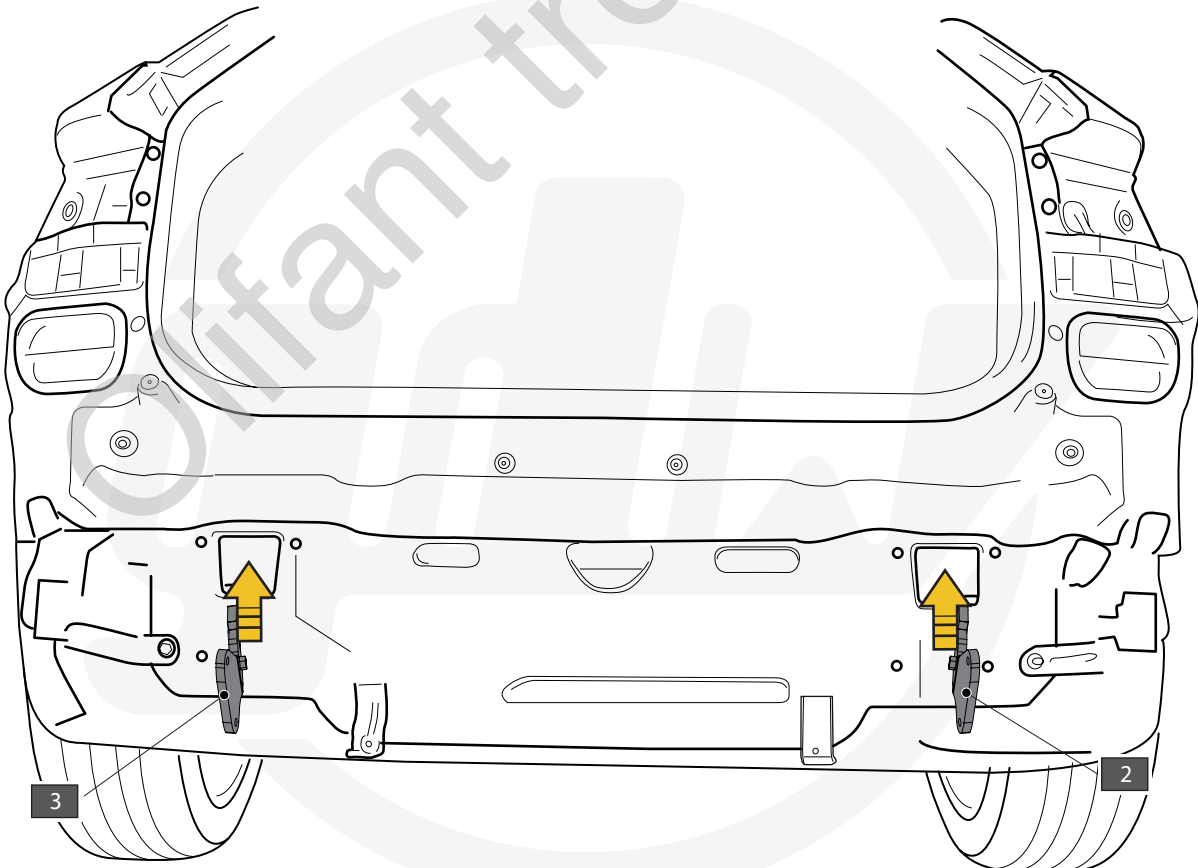
MODELS WITH SENSOR

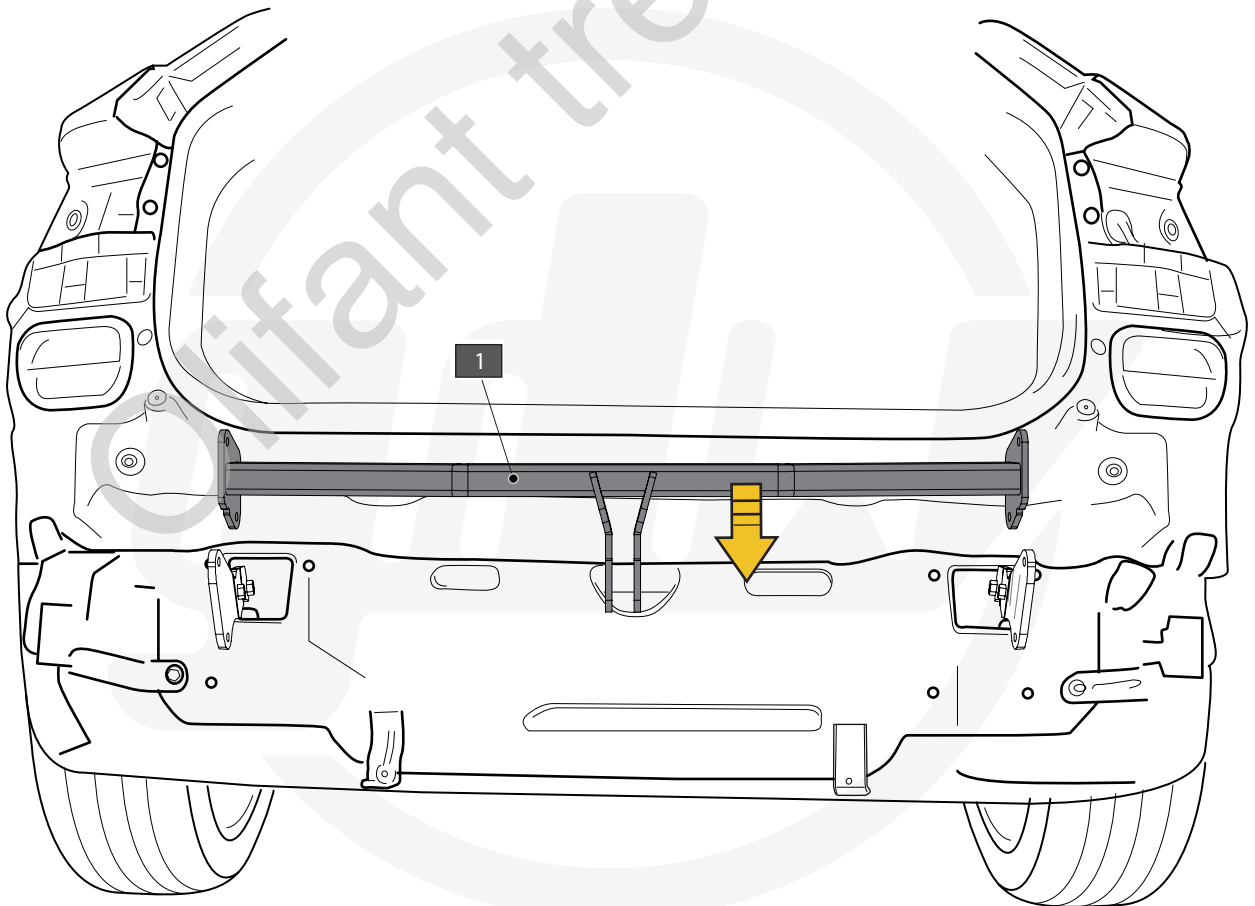
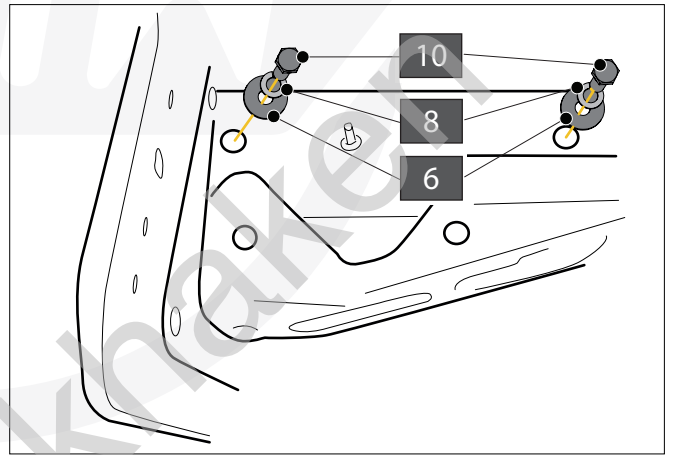
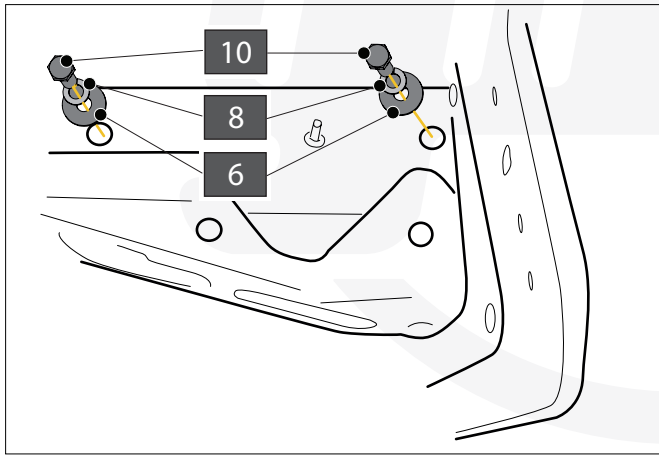
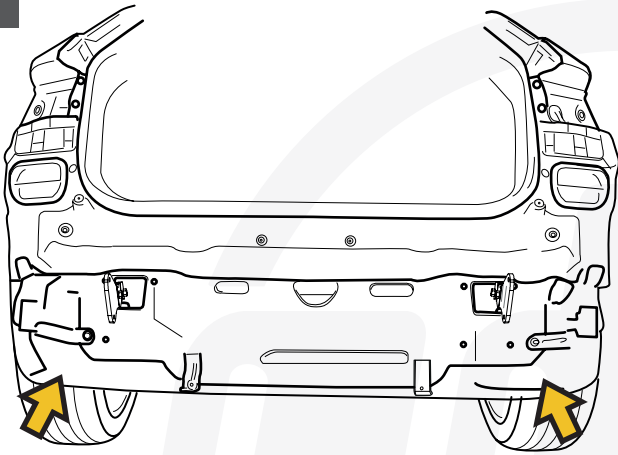


9



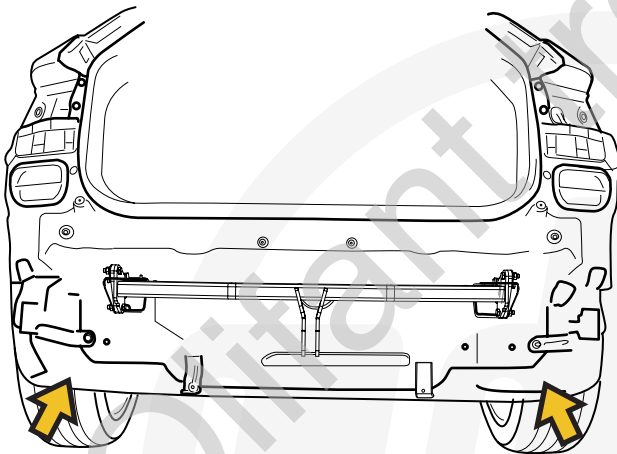
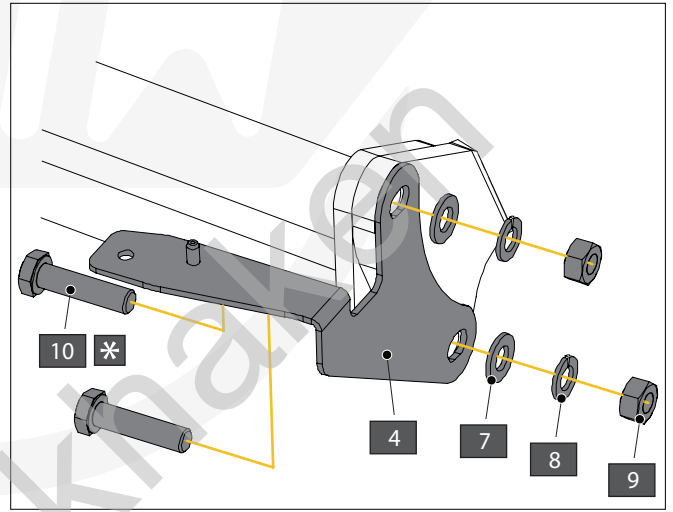
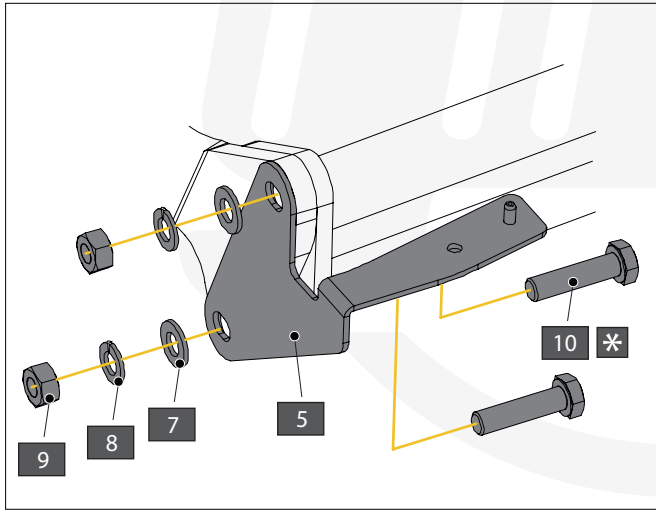
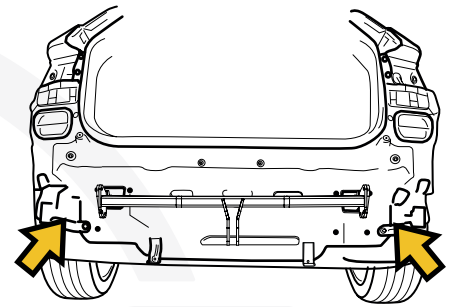
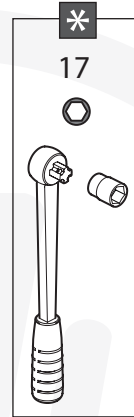
10



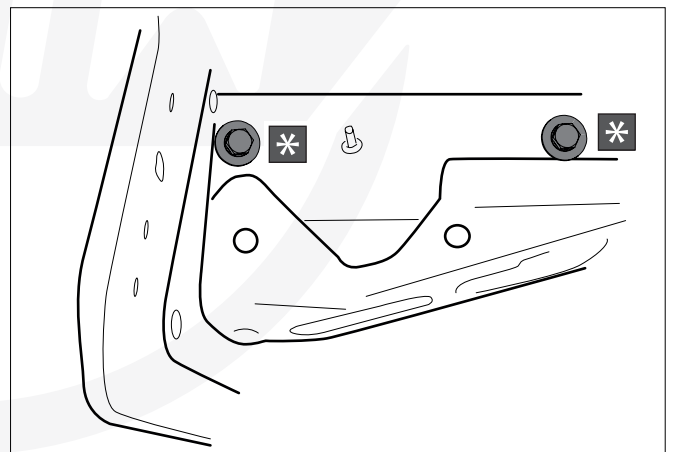
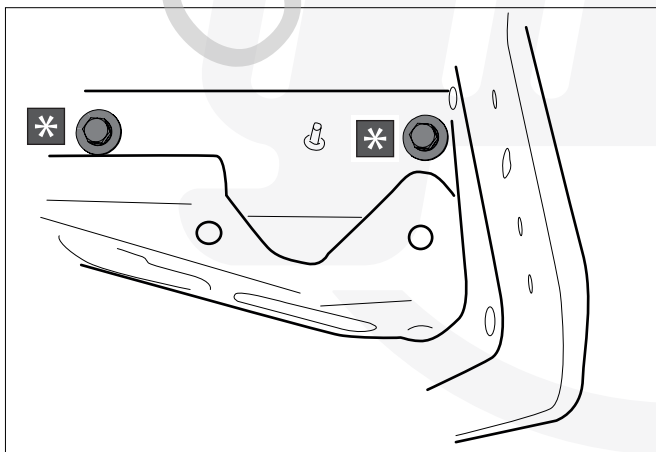
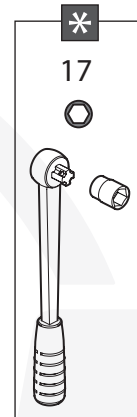


MODELS WITH SENSOR

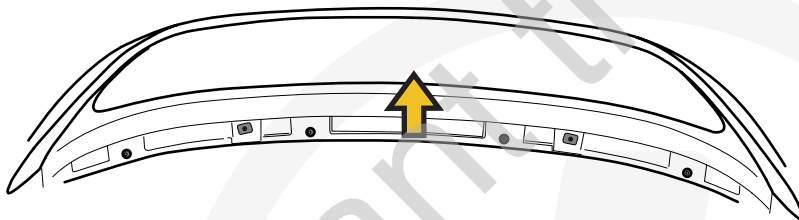
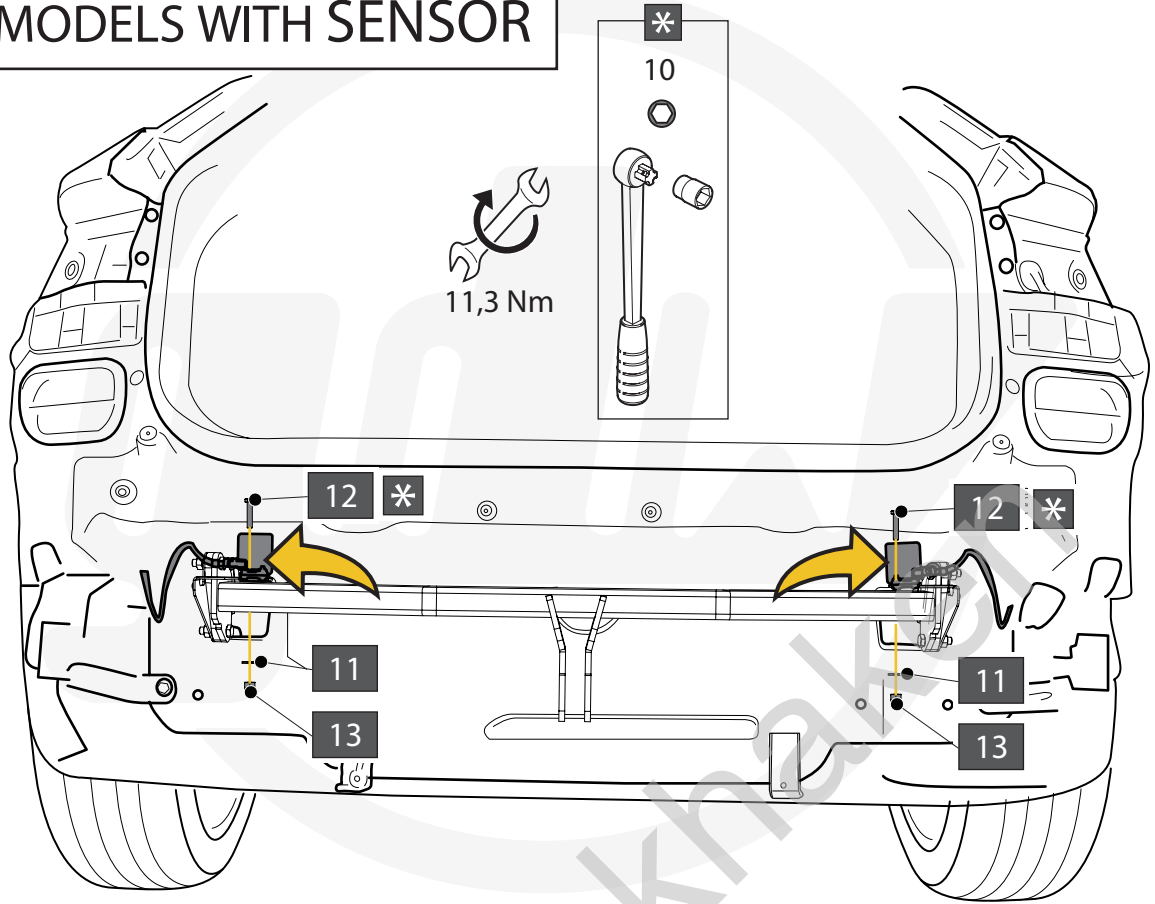
54,0 Nm



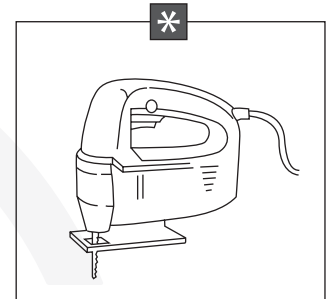
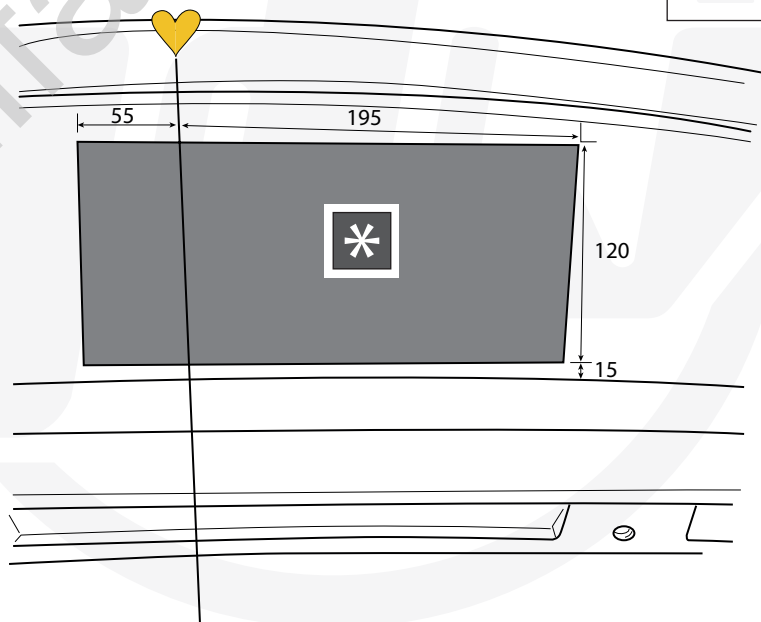
54,0 Nm

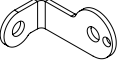



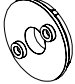
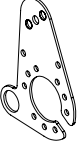



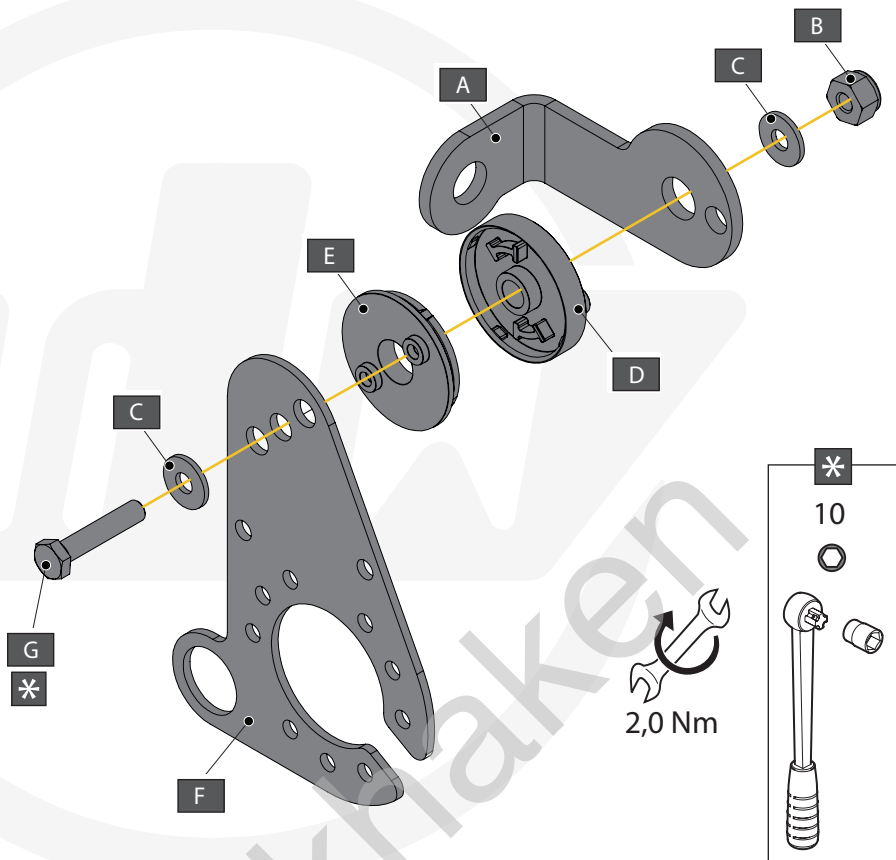
MODELS WITH SENSOR









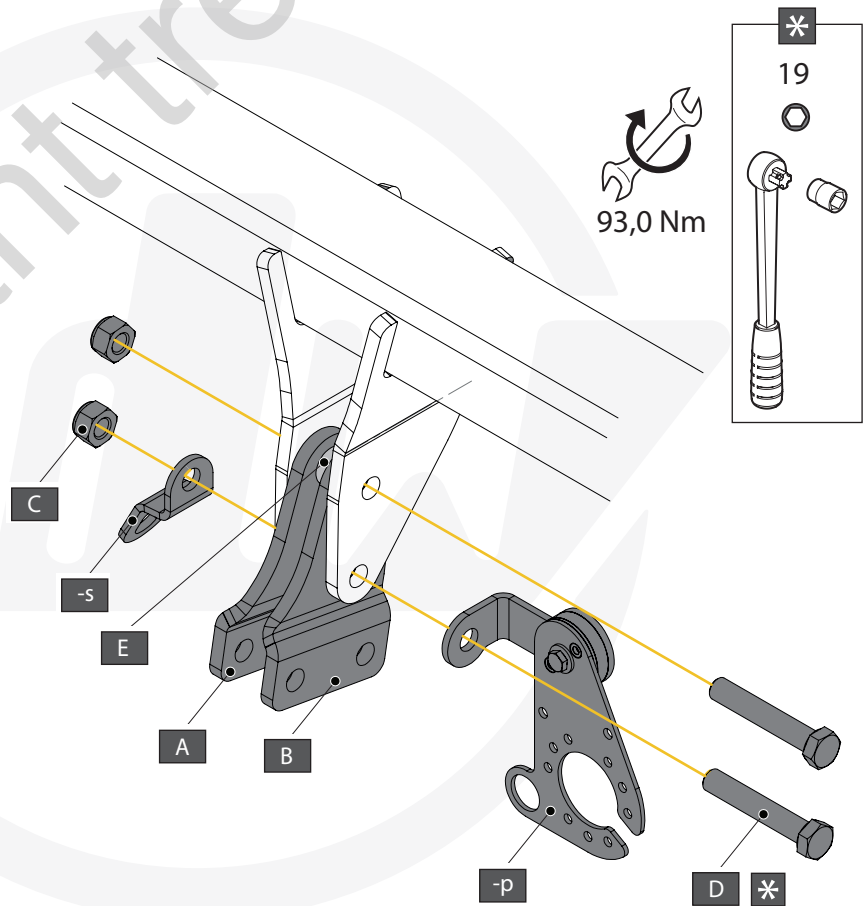
ID.4

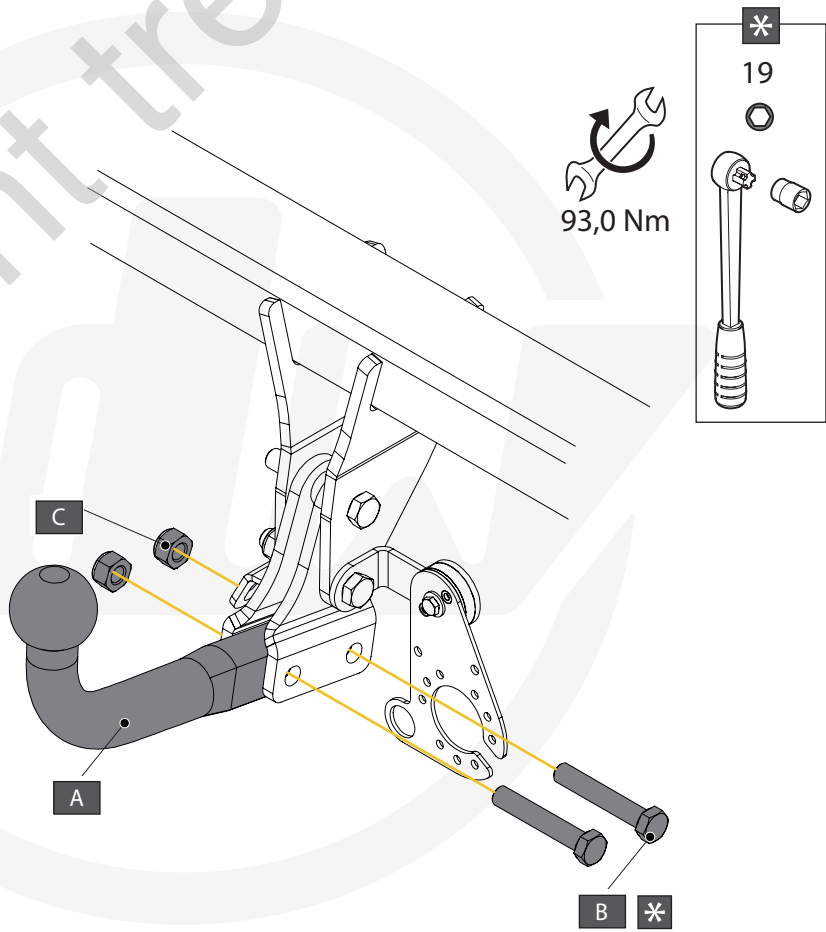
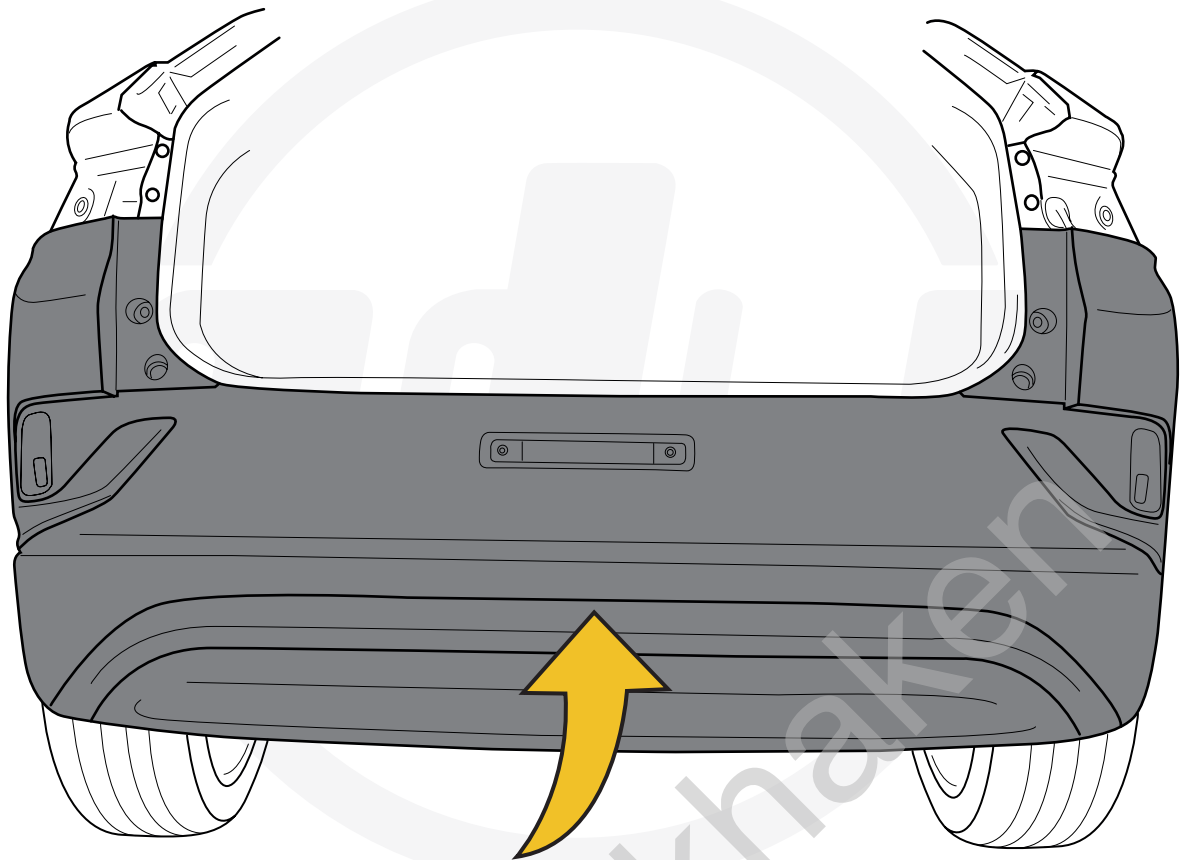





A		X1	GDW REF. 908.102
B		X1	DIN985-M6
C		X2	Ø15,4 X 6,2 X 1,6 (NYLON)
D		X1	GDW REF. 718.16.002
E		X1	GDW REF. 718.16.003
F		X1	GDW REF. 908.094
G		X1	DIN933-M6 X 30

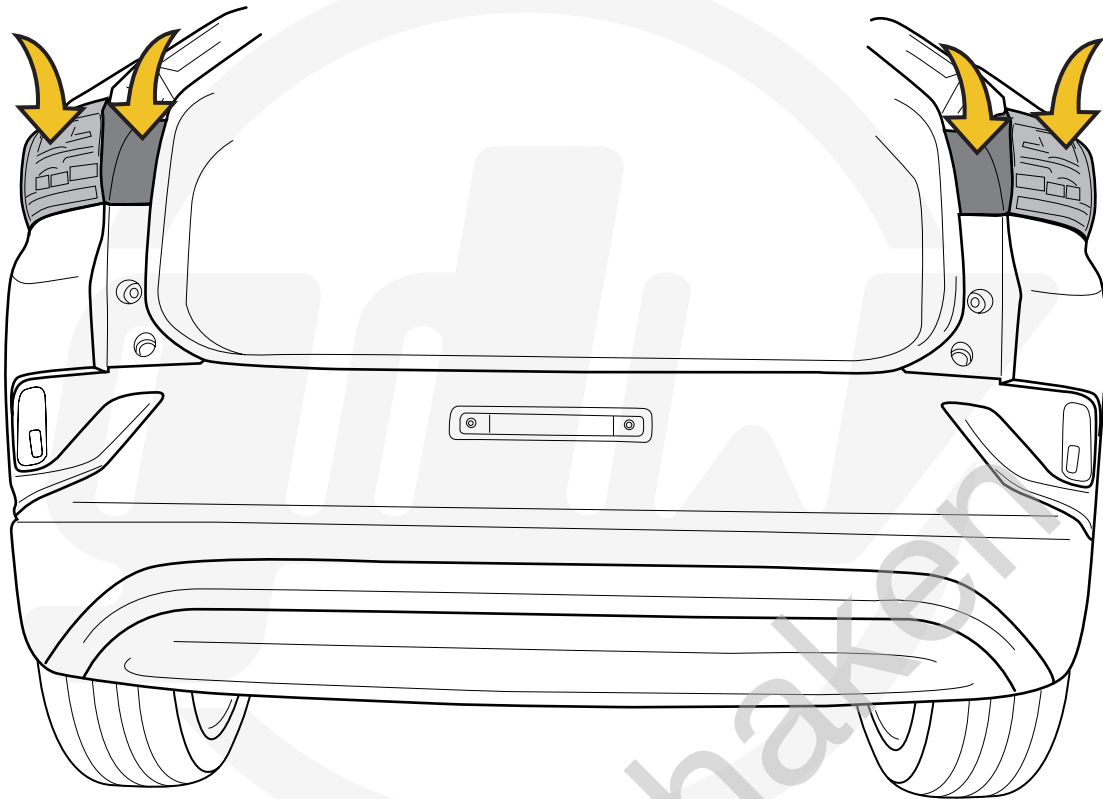


A		X1	GDW REF. 900.025
B		X1	GDW REF. 900.026
C		X2	DIN985 M12
D		X2	DIN931 M12 X 70
E		X2	GDW REF. 900.011
-S		X1	GDW REF. 900.053



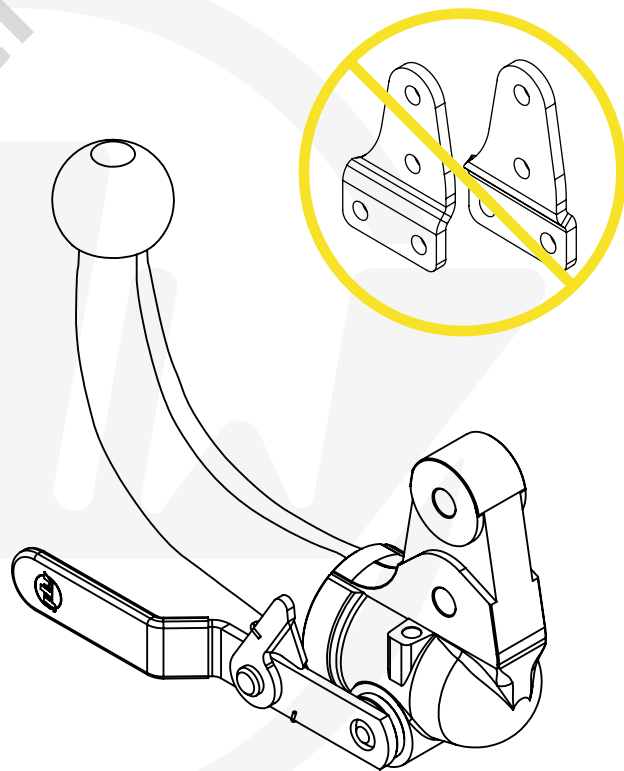


A		X1	944.J039
B		X2	DIN9321 M12 X 70
C		X2	DIN985 M12



AFN

Opties - Options - Options - Optionen - Opciones - Muligheder



OPTION T38



X1

KITT38-2709