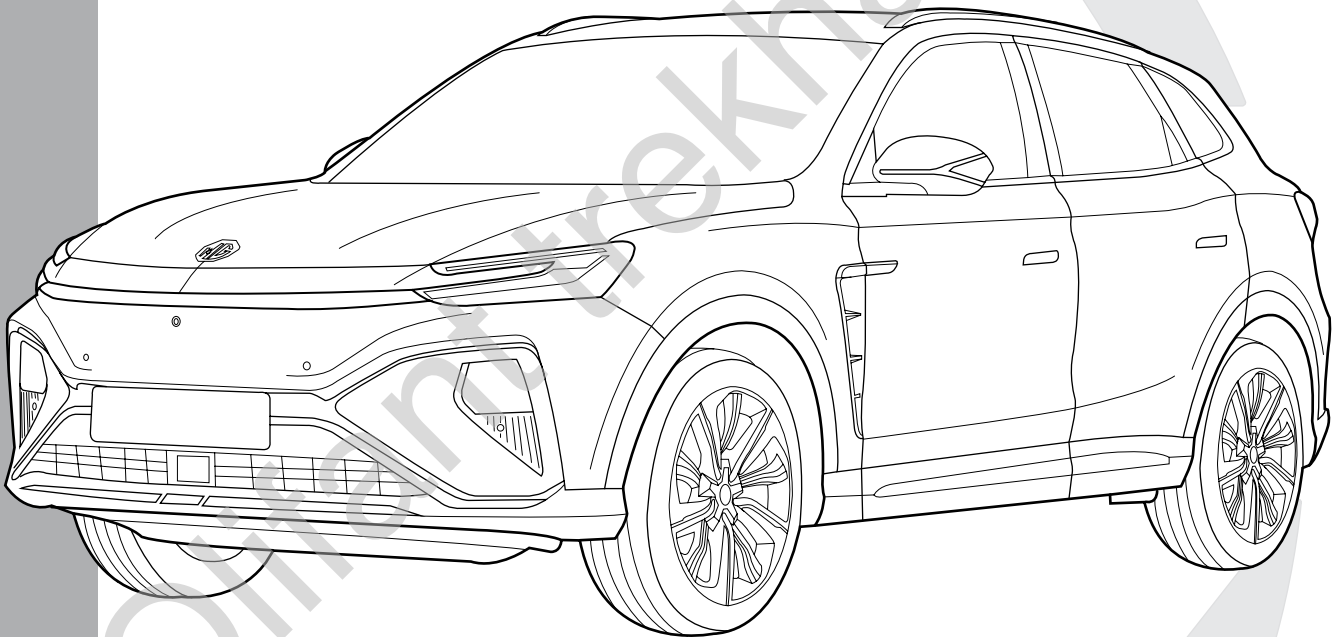


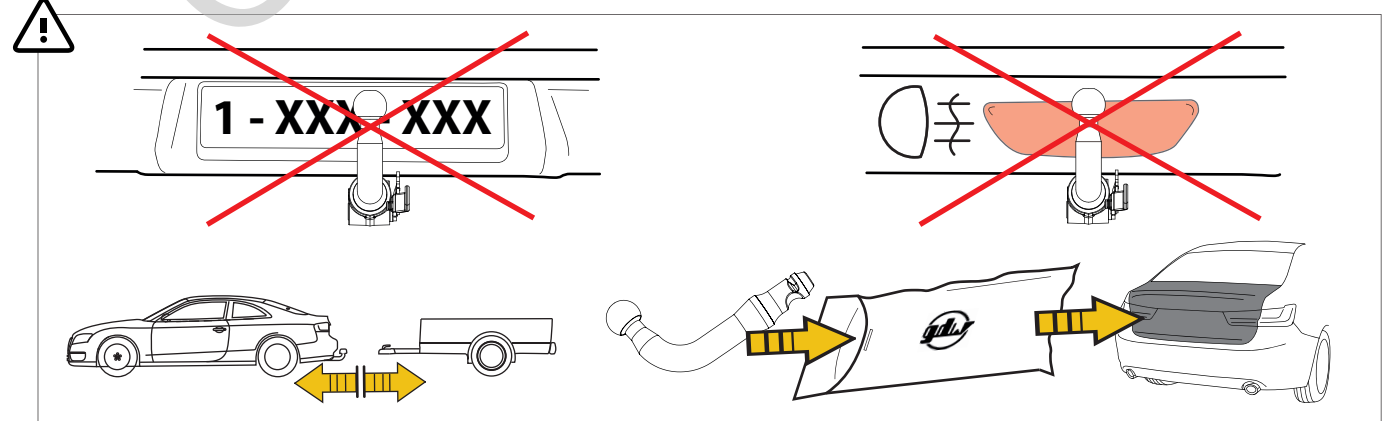
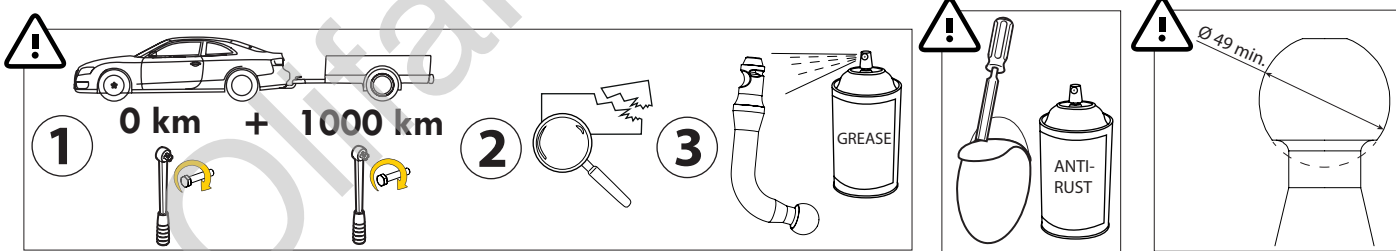
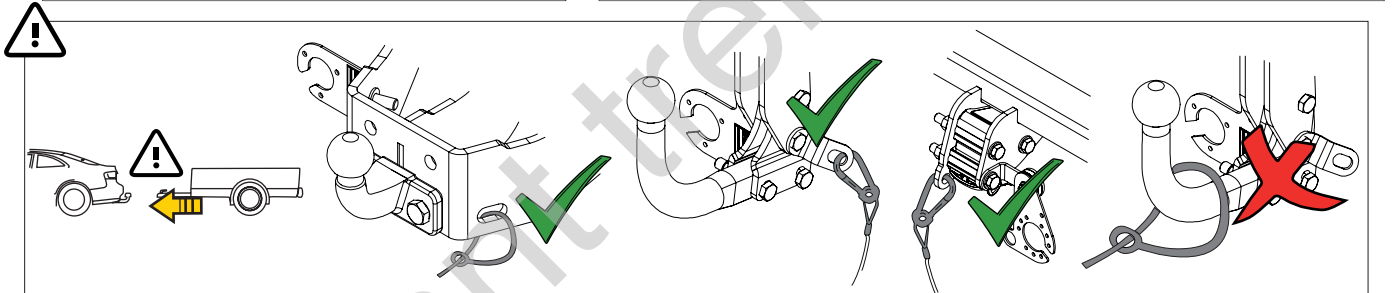
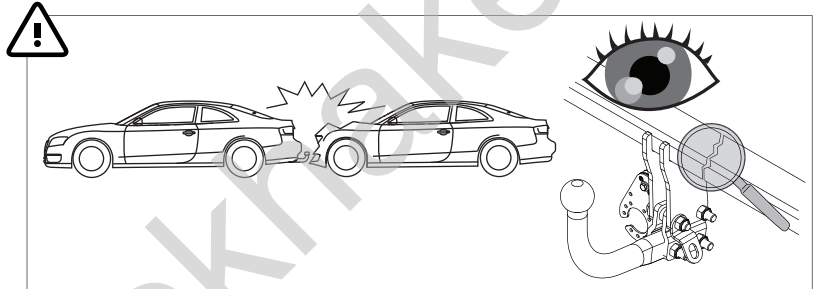
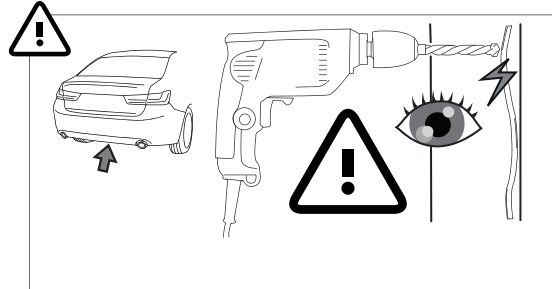
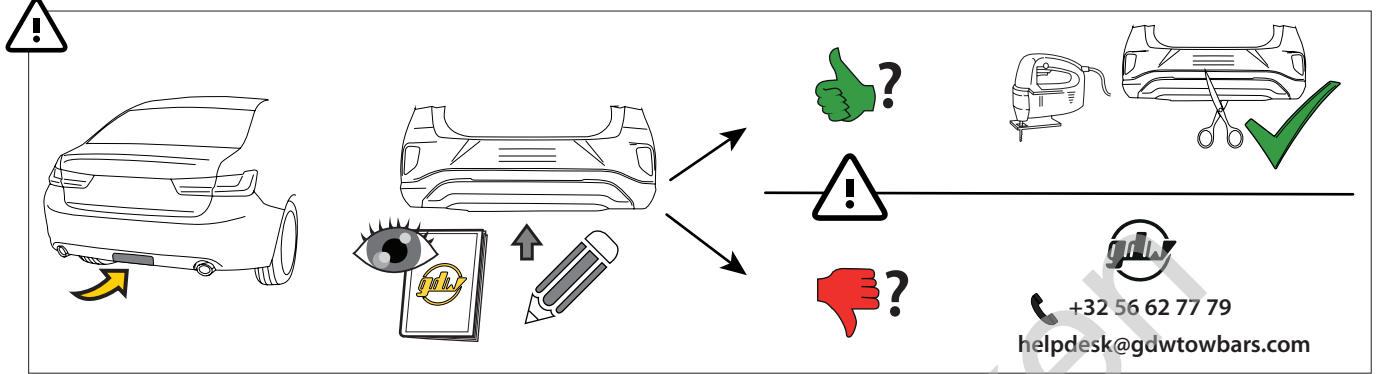
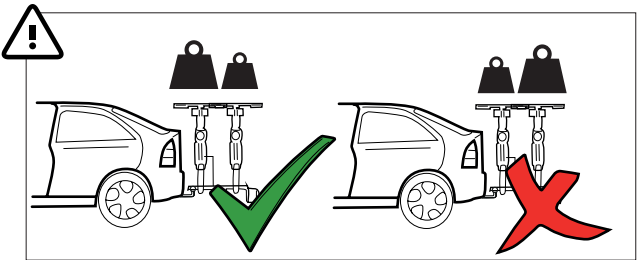
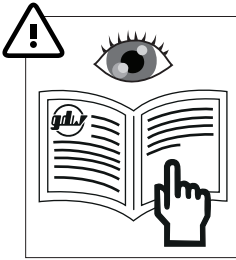
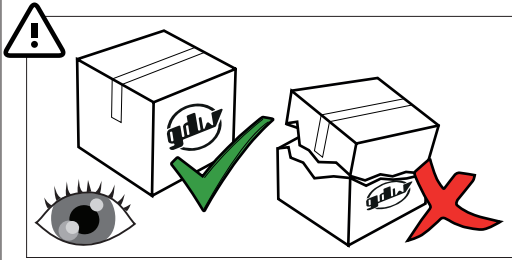



MG MARVEL R

12/'21-

✓ HANDSFREE TAILGATE

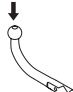
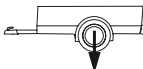




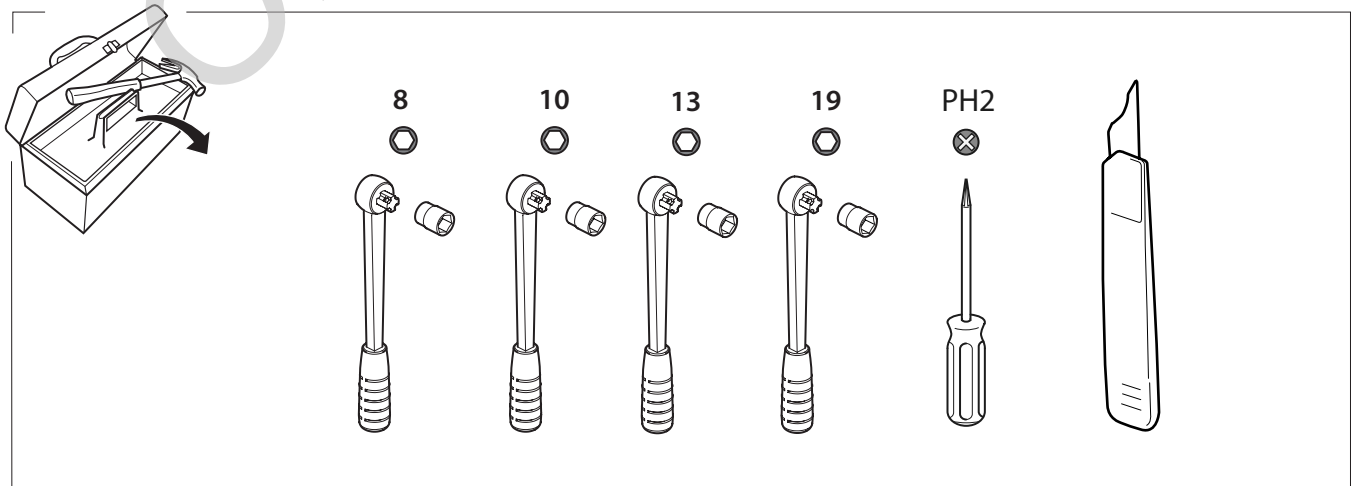
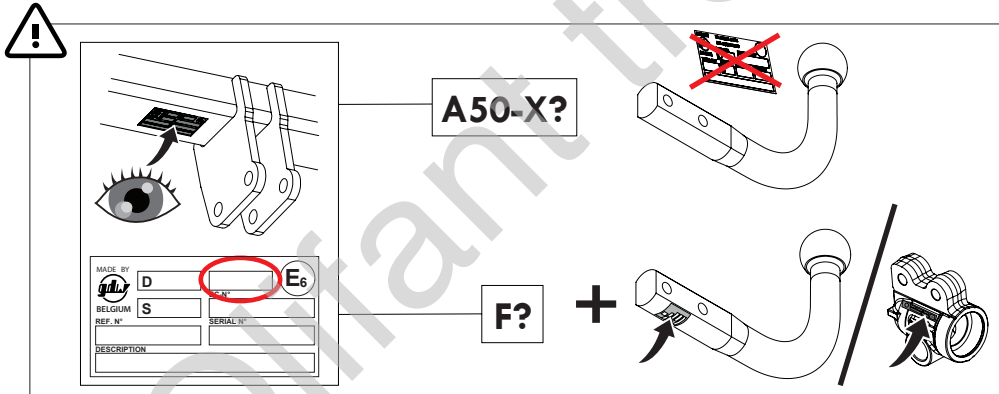
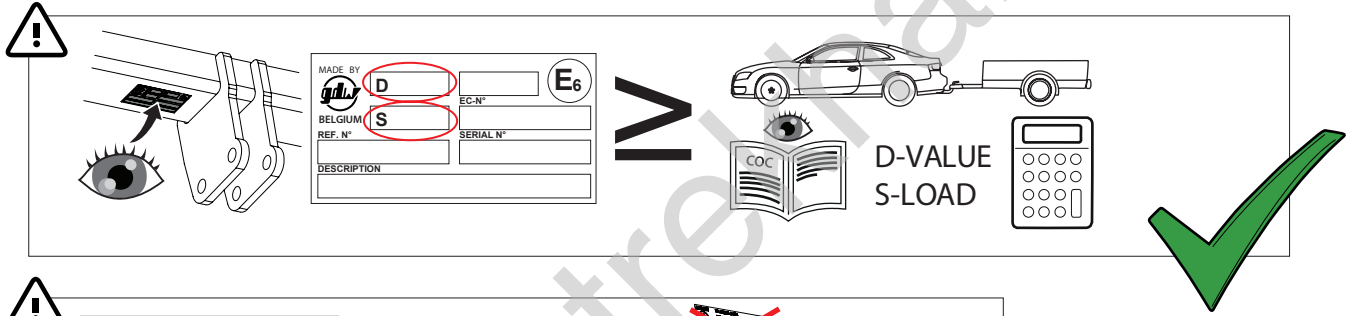
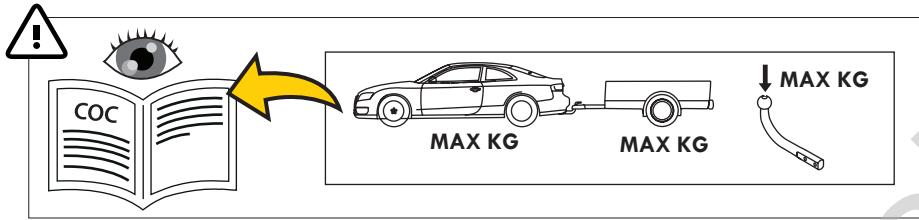
MADE BY 	D 7,00	F	E₆
BELGIUM	S 85	EC-N° 55R-02 1753	
REF N° 2702		SERIAL N° XXXX	
DESCRIPTION MG Marvel R			

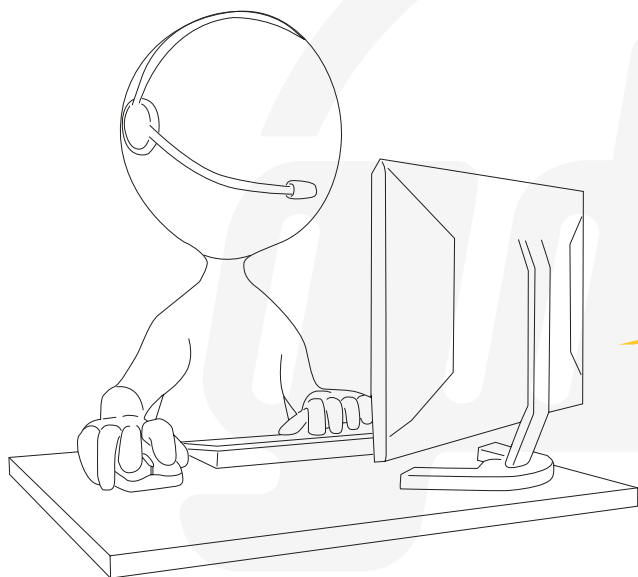
!

D = $\frac{\text{max kg (car)} \times \text{max kg (trailer)}}{\text{max kg (car)} + \text{max kg (trailer)}} \times 0.00981 \leq 7,00 \text{ kN}$

S =  $\leq 85 \text{ kg}$  $\leq 1000 \text{ kg}$ **!**

! See the Certificate Of Conformity (COC) of your vehicle or contact your dealer to verify the max. trailer weight of your car!

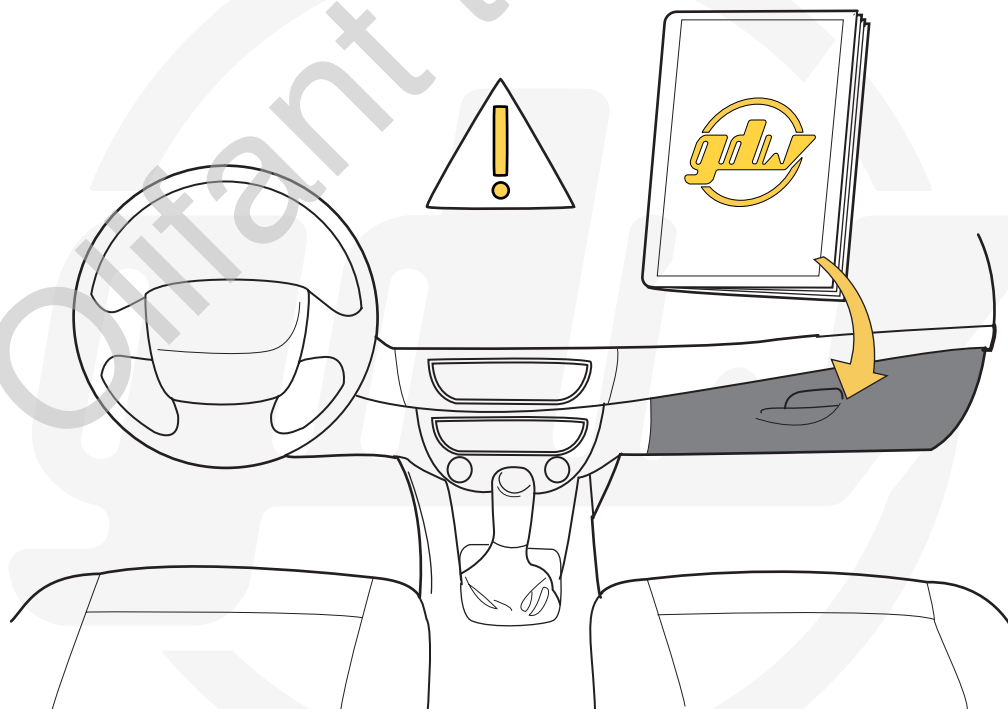


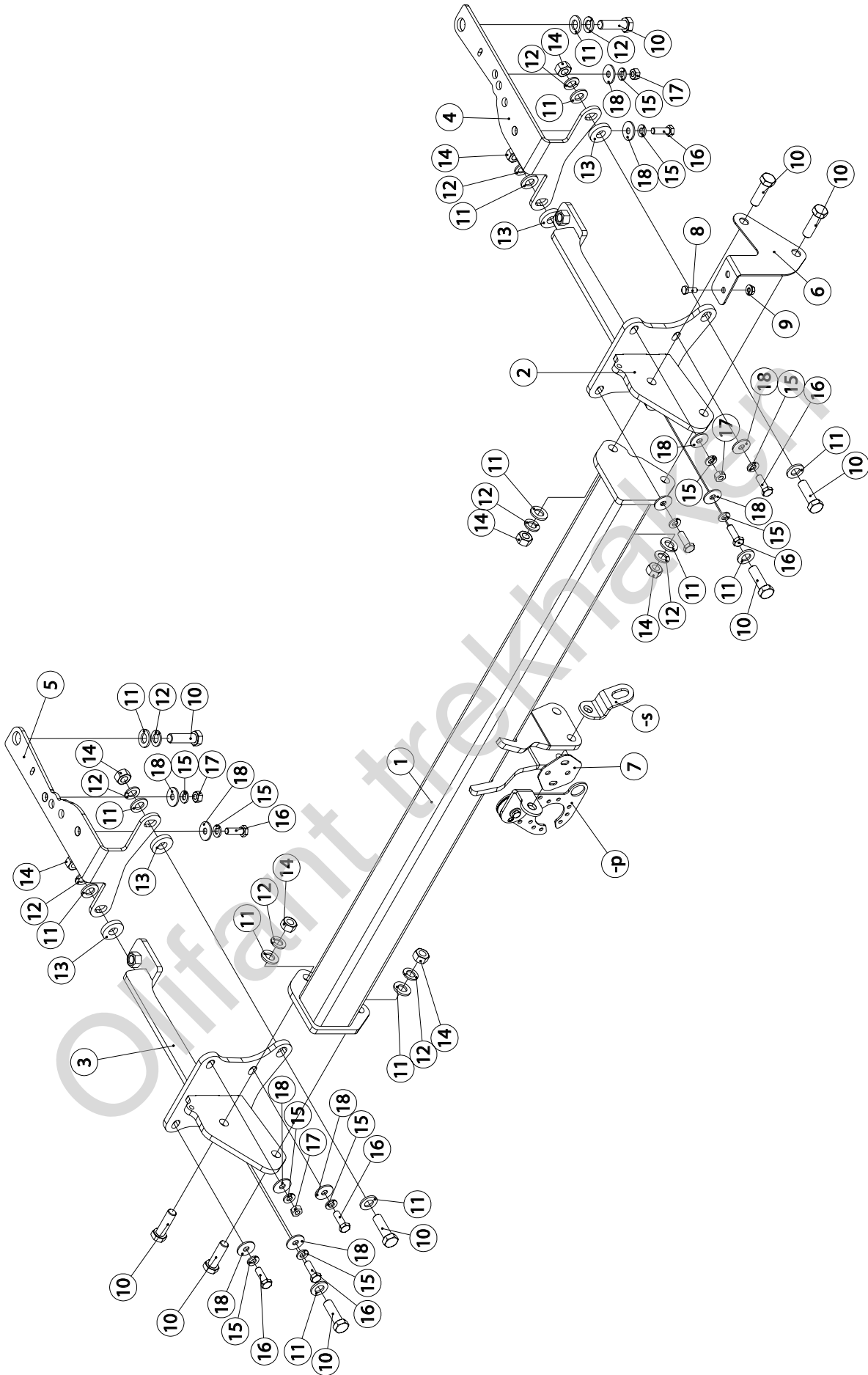


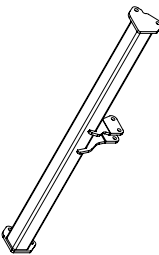
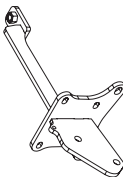
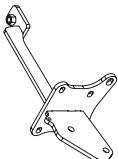
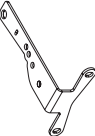










helpdesk@gdwtowbars.com

+32 56 62 77 79



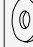
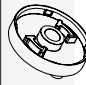

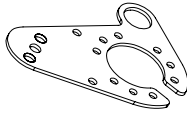


Monday	08:00 - 12:00	12:30 - 16:30
Tuesday	08:00 - 12:00	12:30 - 16:30
Wednesday	08:00 - 12:00	12:30 - 16:30
Thursday	08:00 - 12:00	12:30 - 16:30
Friday	08:00 - 12:00	12:30 - 15:30

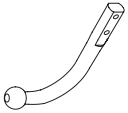
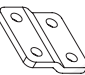








1		X1	GDW REF. 2702
2		X2	GDW REF. 2
3		X1	GDW REF. 3
4		X1	GDW REF. 4
5		X1	GDW REF. 5
6		X1	GDW REF. 6
7		X1	GDW REF. 7
8		X1	DIN933-M6X20
9		X1	DIN6933-M6
10		X10	DIN933-M12X40
11		X14	DIN125-A12-140HV-ELVZ
12		X10	DIN128A-M12
13		X4	DIN7349-M12-ST
14		X8	DIN934-M12

15		X12	DIN128A-M8
16		X8	DIN933-M8X25
10		X4	DIN934-M8
8		X12	DIN9021-M8-ELVZ
-5		X1	GDW REF. 900.053

-P		X1	GDW REF. P40
L		X1	DIN985-M6
L		X2	6,2 X 15,4 X 1,6 (NYLON)
L		X1	GDW REF. 718.16.002
L		X1	GDW REF. 718.16.003
L		X1	GDW REF. 908.094
L		X1	DIN933-M6 X 30
L		X1	GDW REF. 908.096

Geleverd met - Livré avec - Delivered with Geliefert mit - Elementos adjuntos-Leveres med		
	X1	944.L006
	X2	GDW REF. 900.008
	X2	GDW REF. 900.011 Ø 21,3 X 11,7
	X4	DIN931-M12 X 70 -10.9
	X4	DIN985-M12 KL.10.9

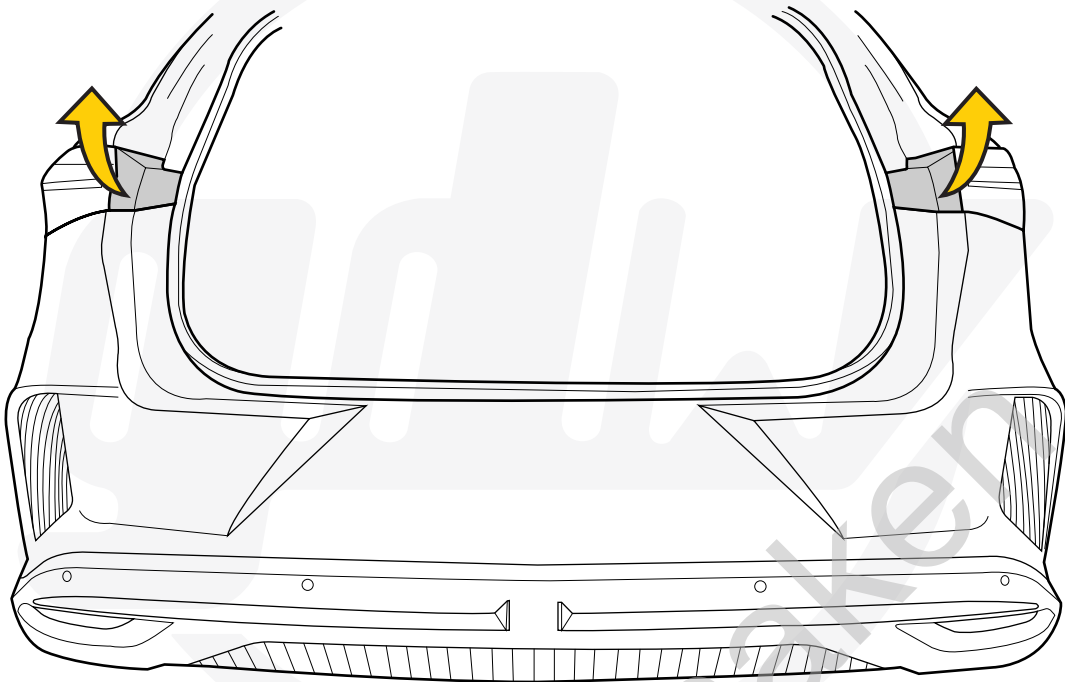
OPTION T36



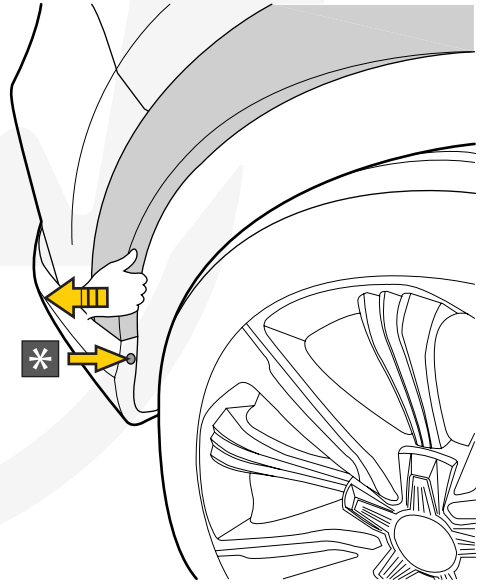
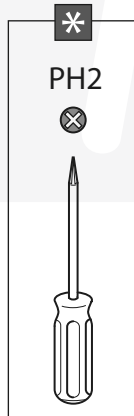
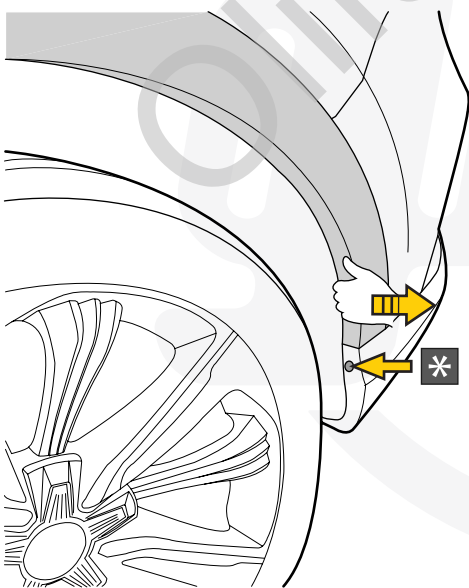
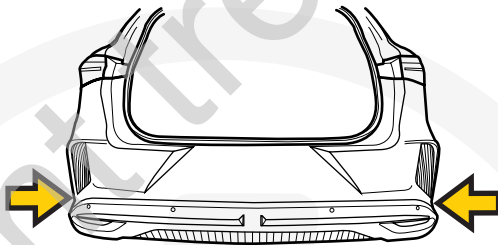
X1

KIT T36-2702

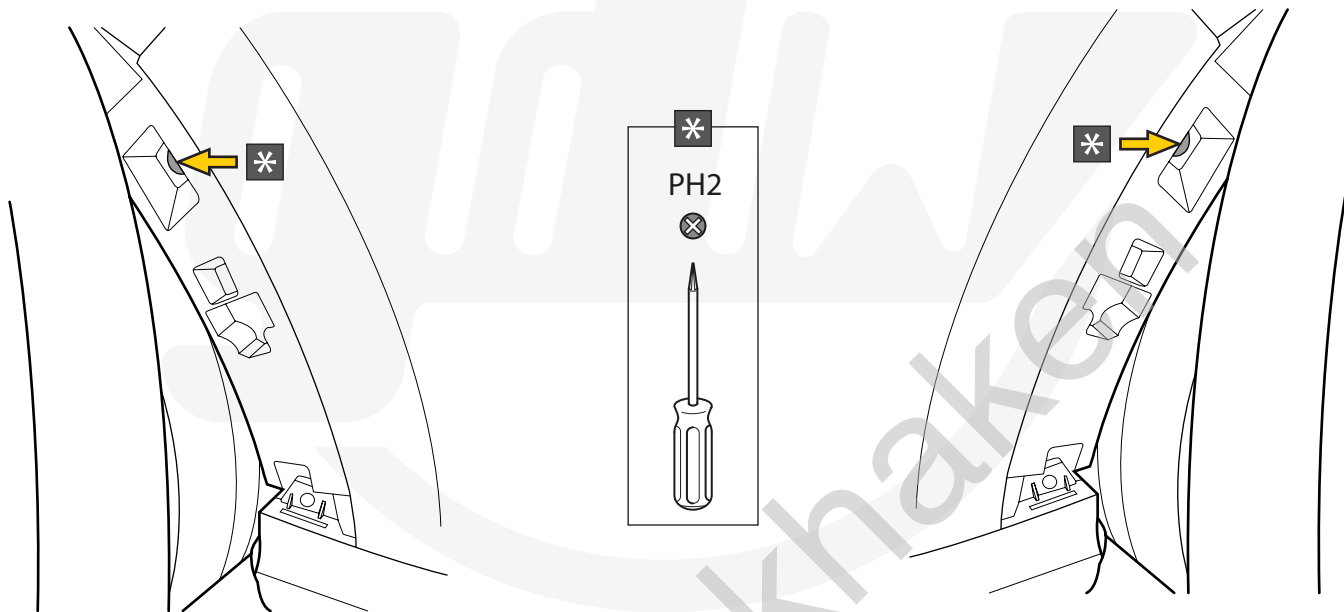
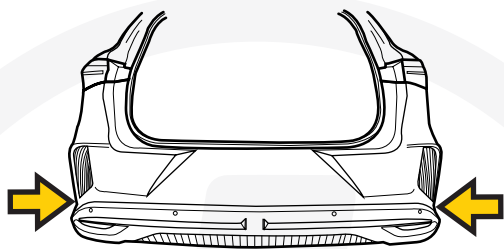
1



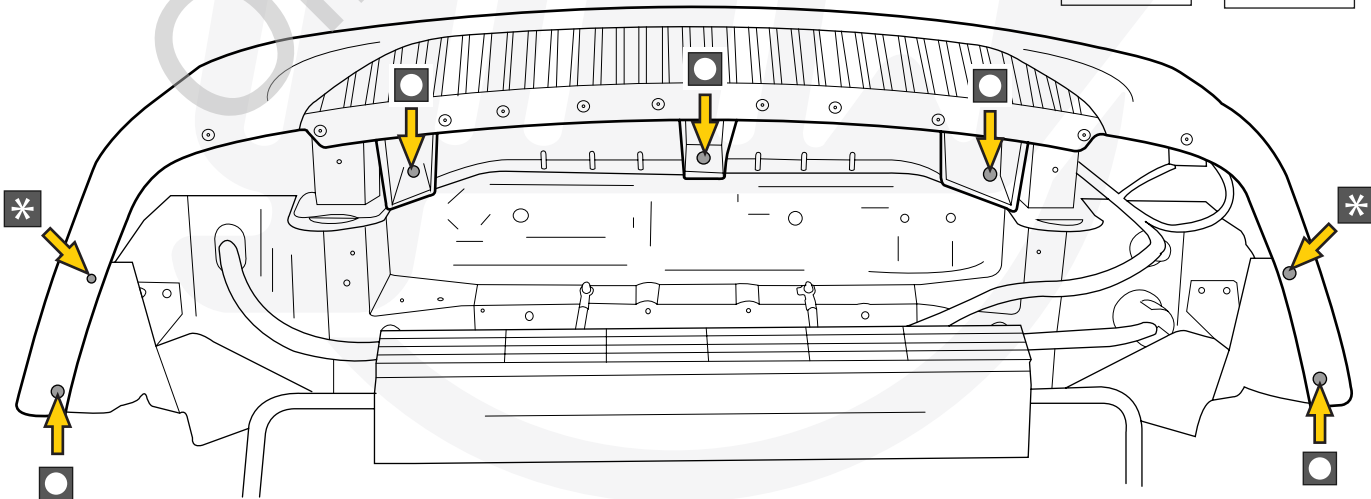
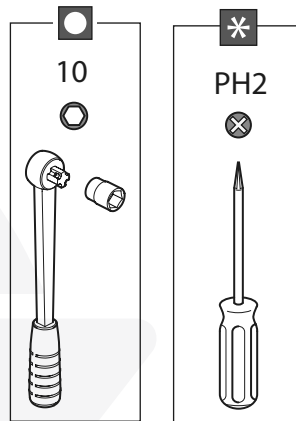
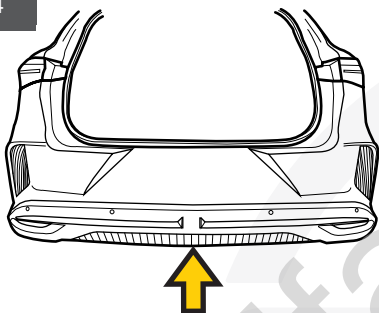
2

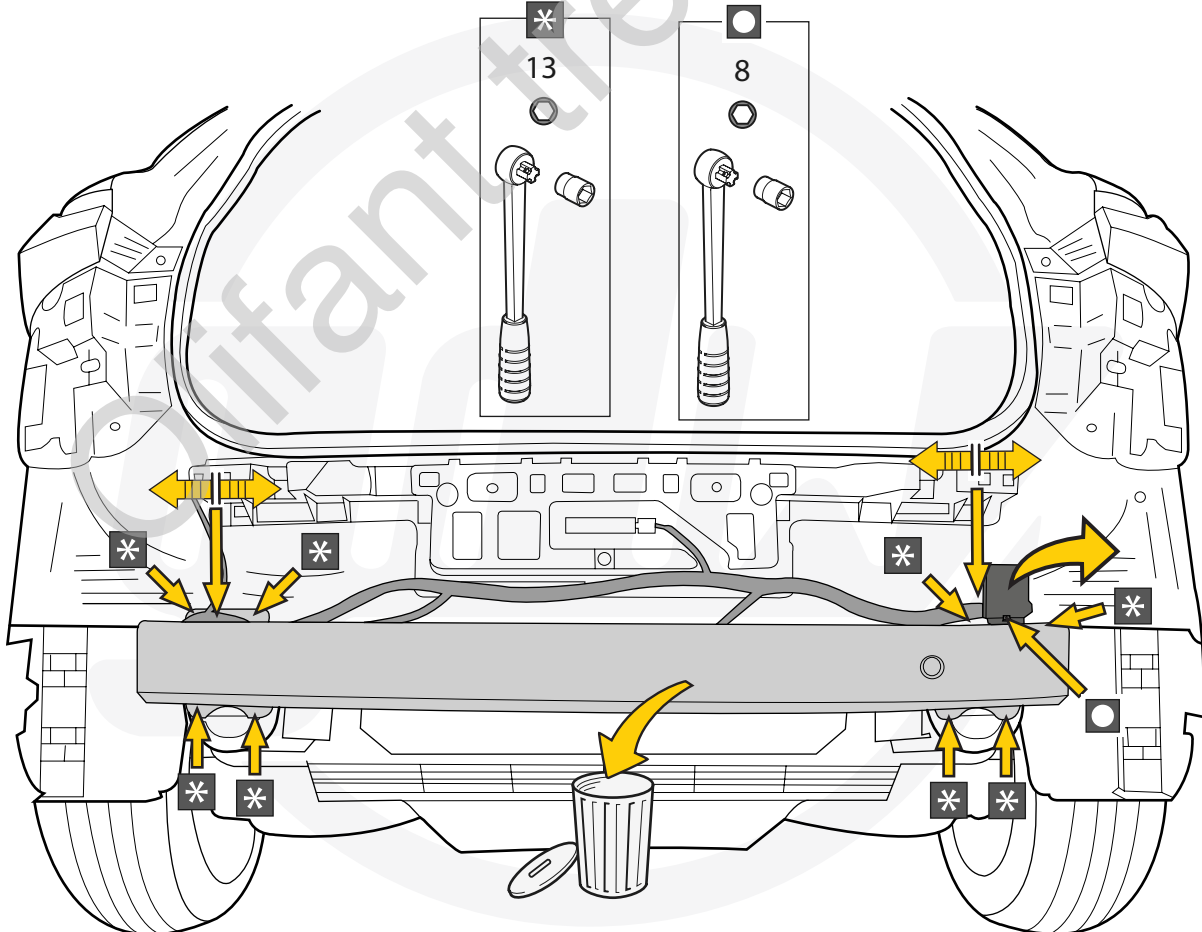
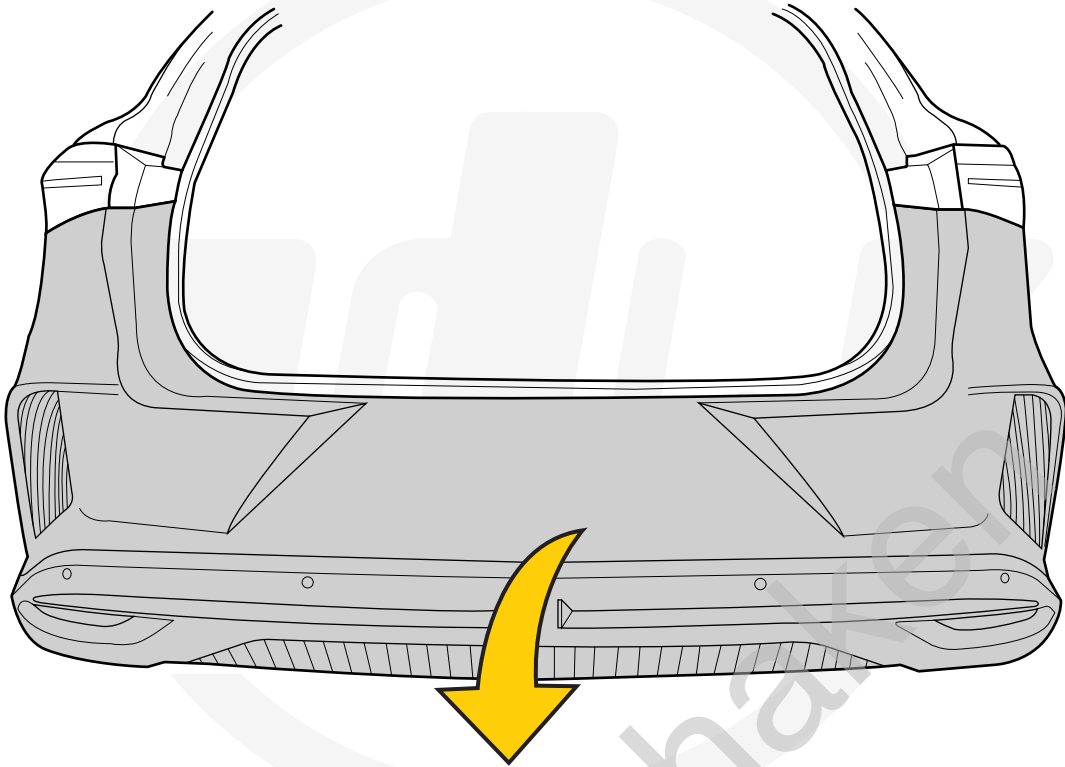


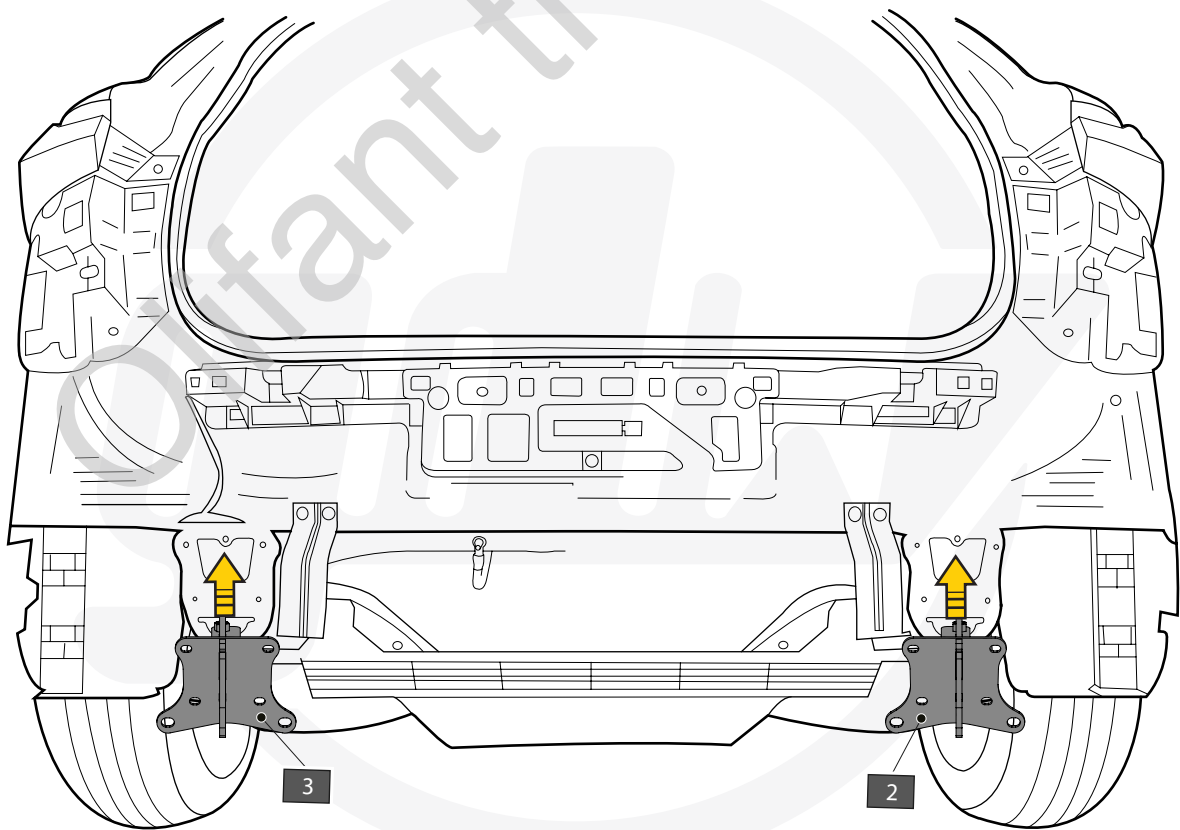
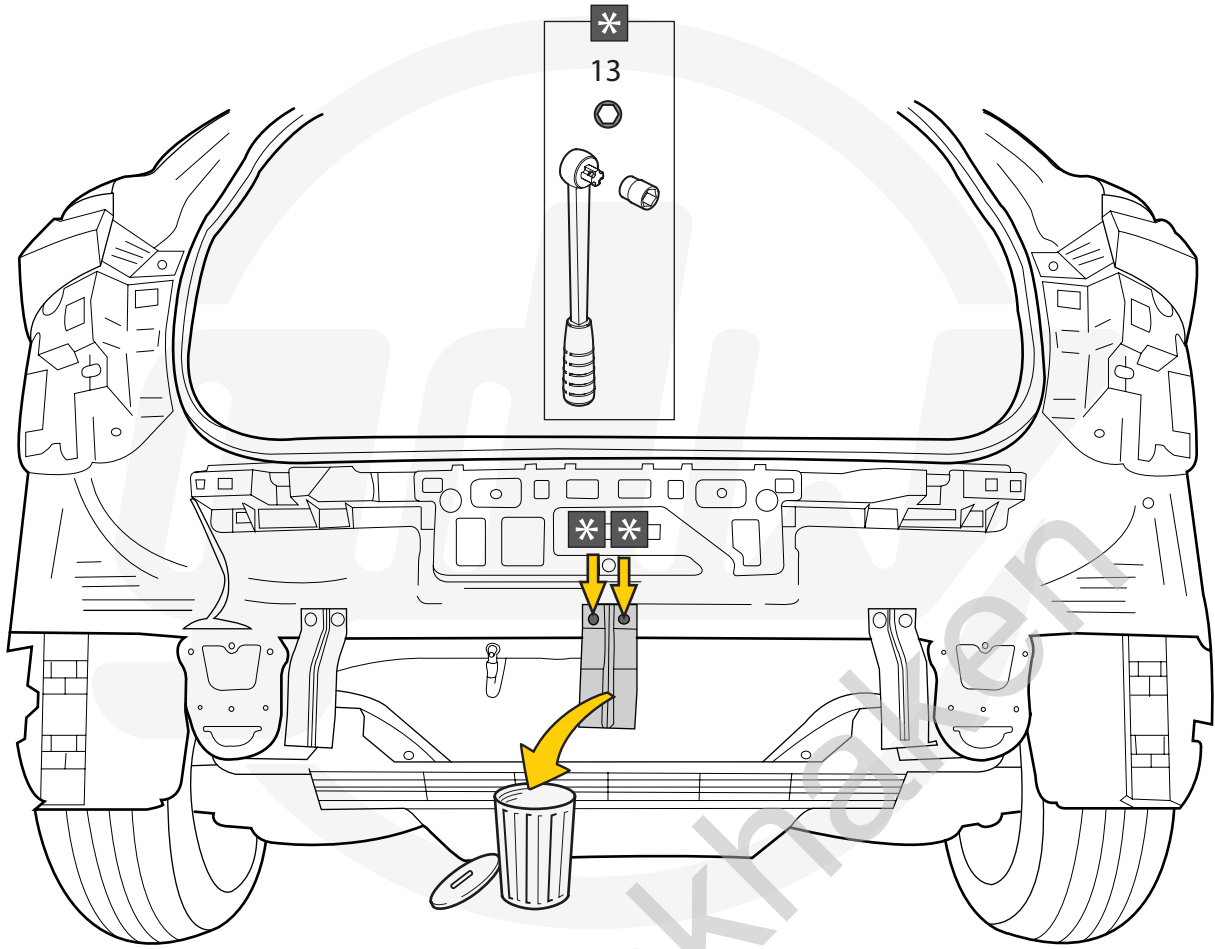
3

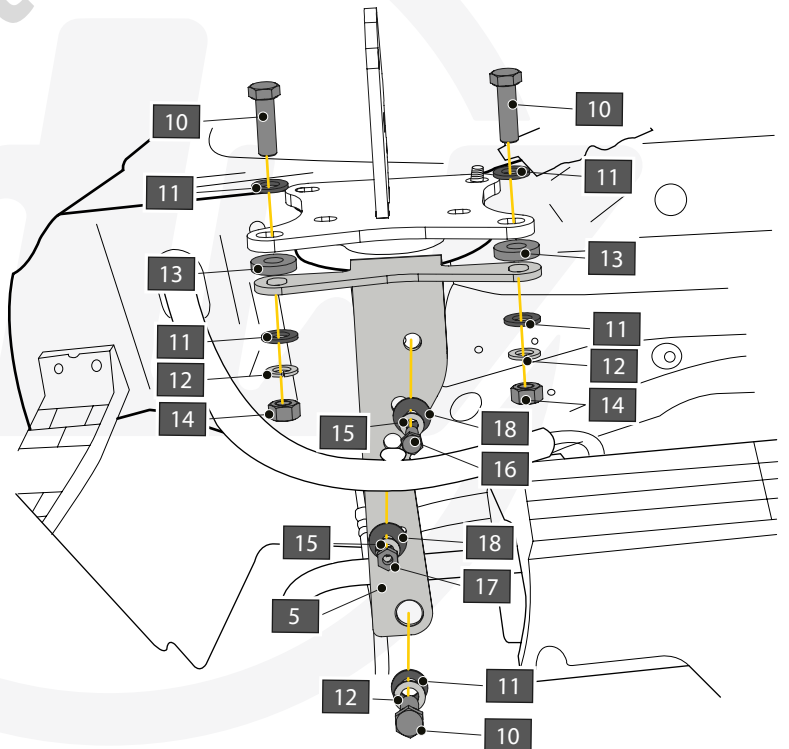
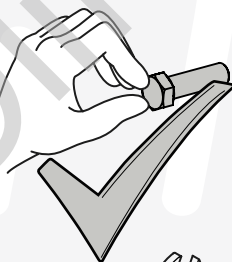
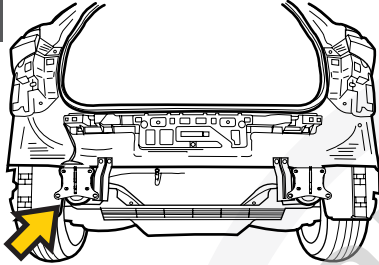
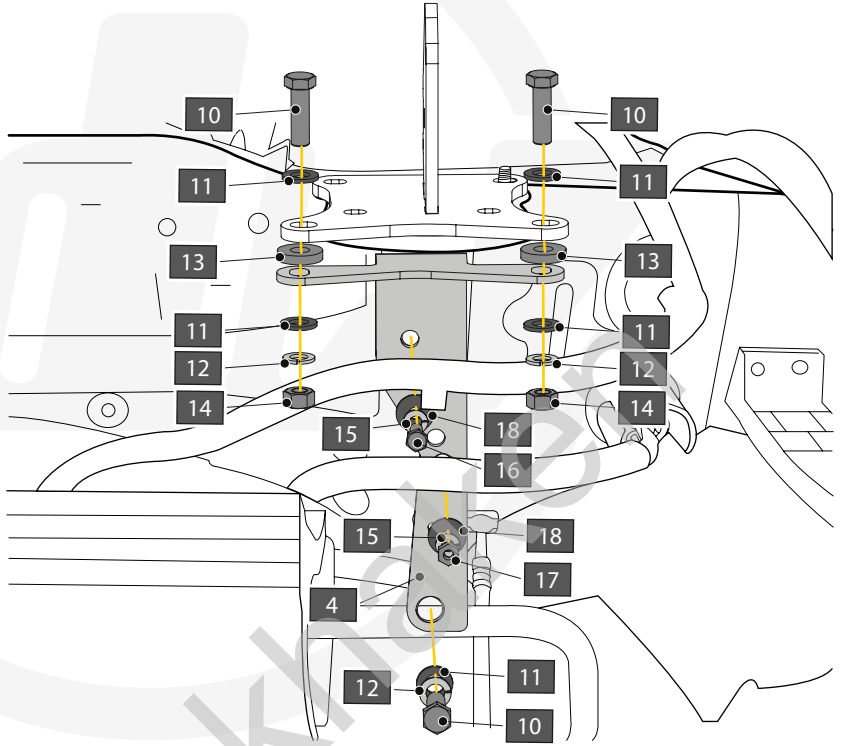
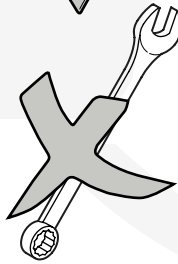
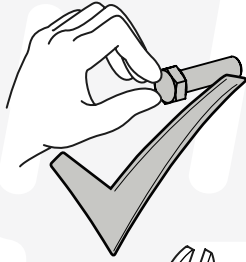
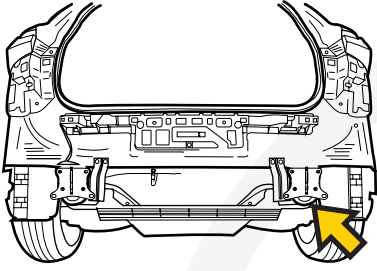


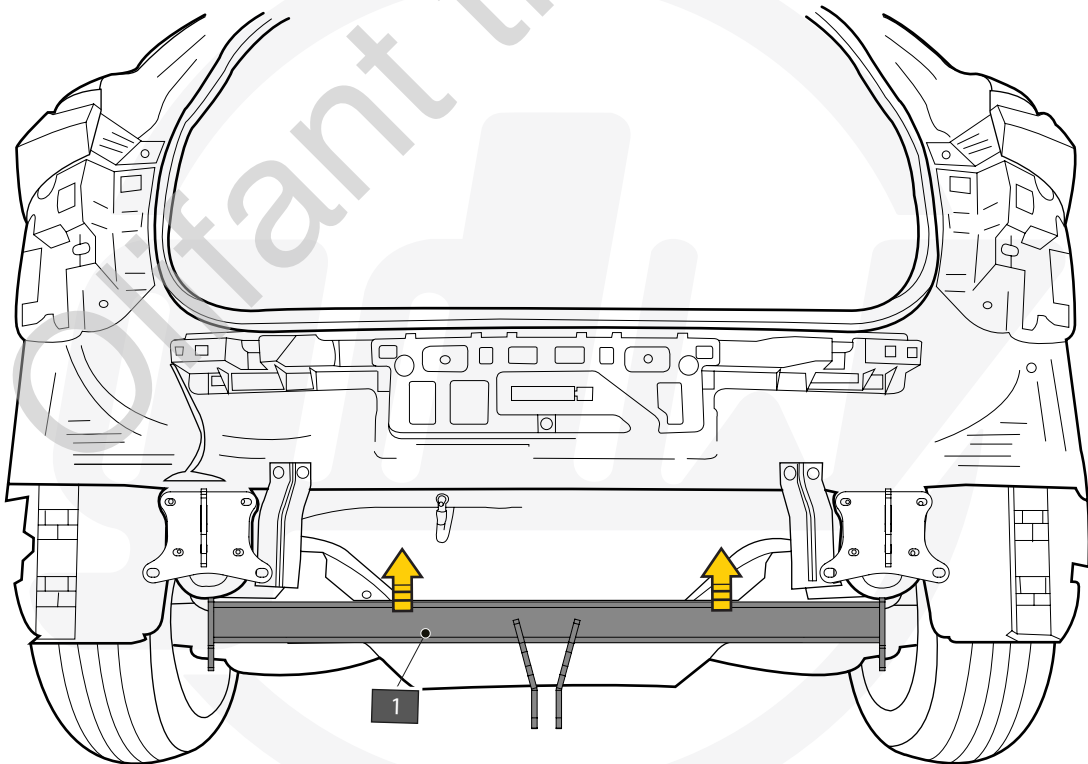
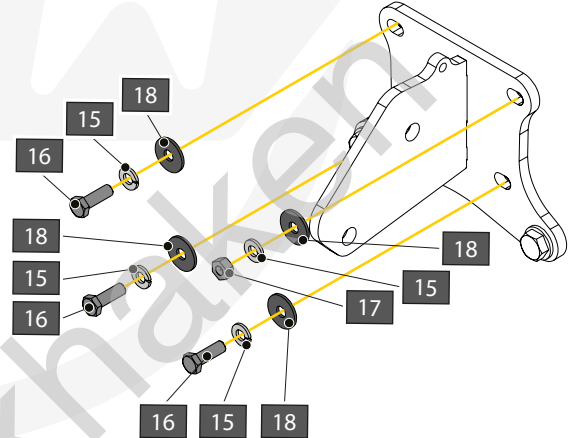
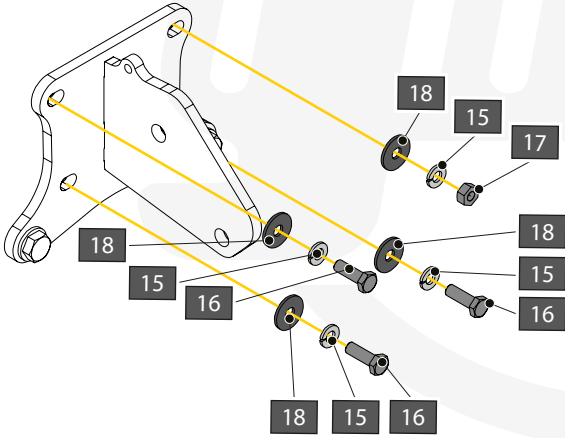
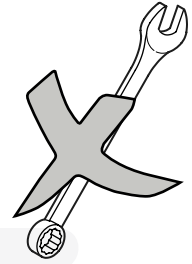
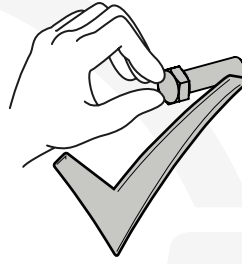
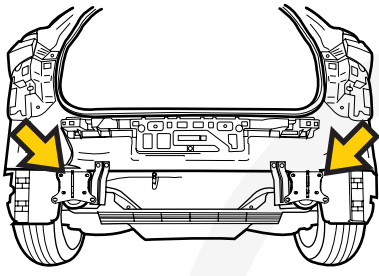
4



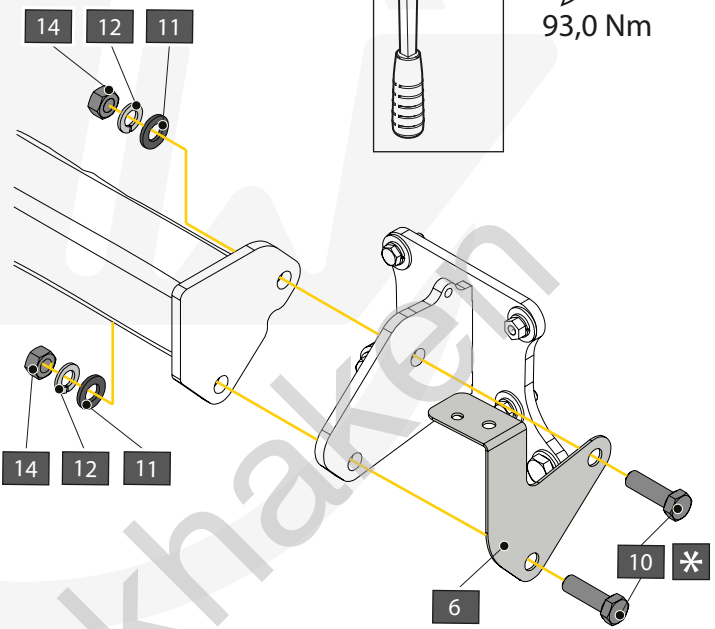
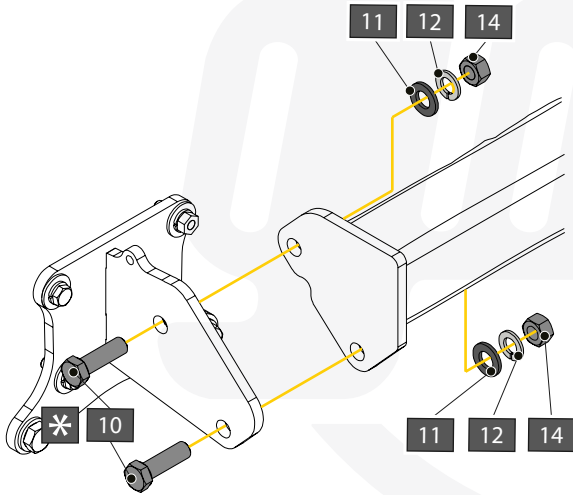
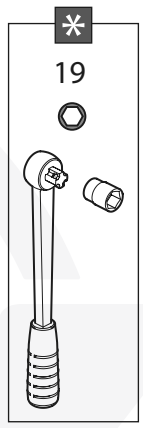
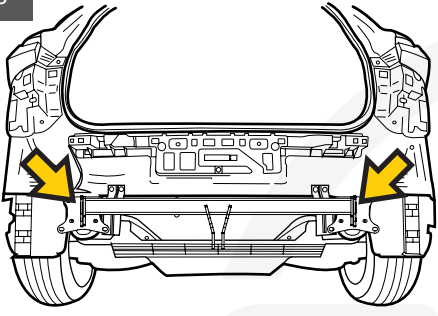




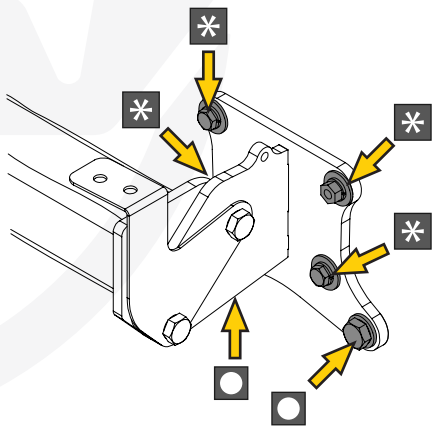
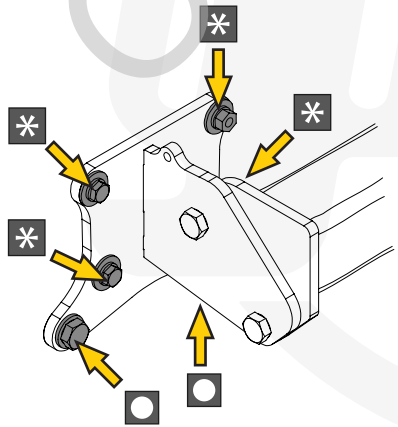
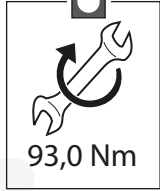
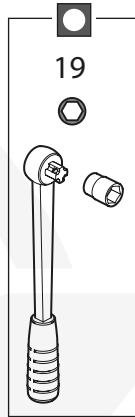
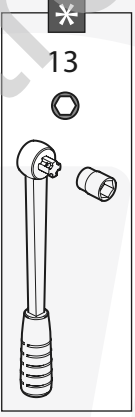
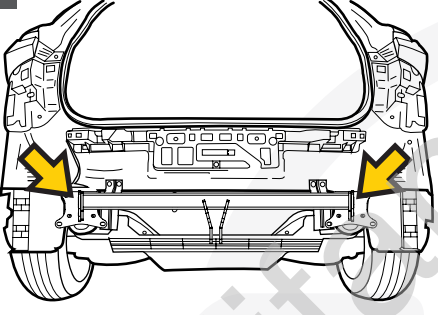




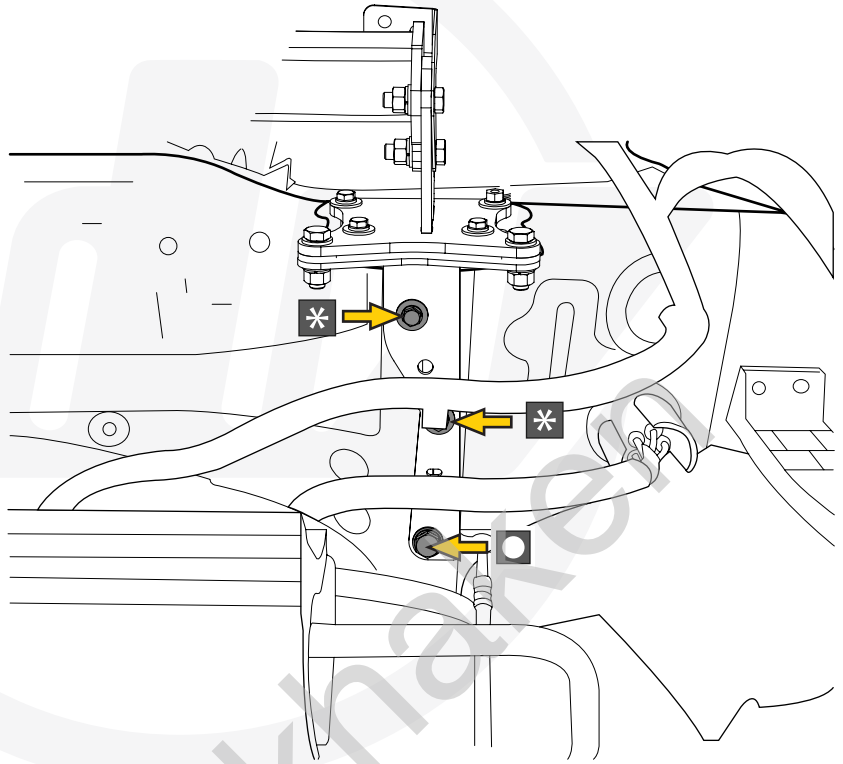
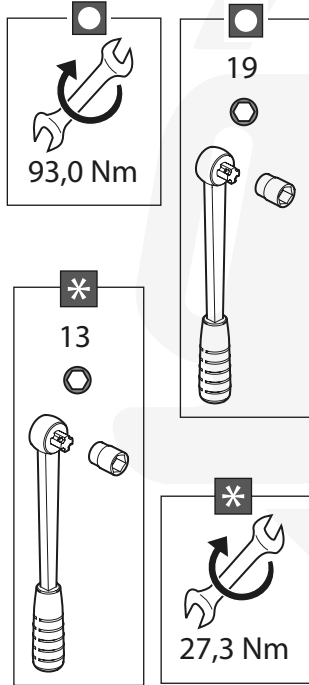
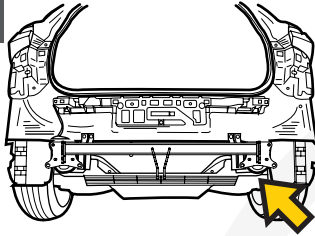
13



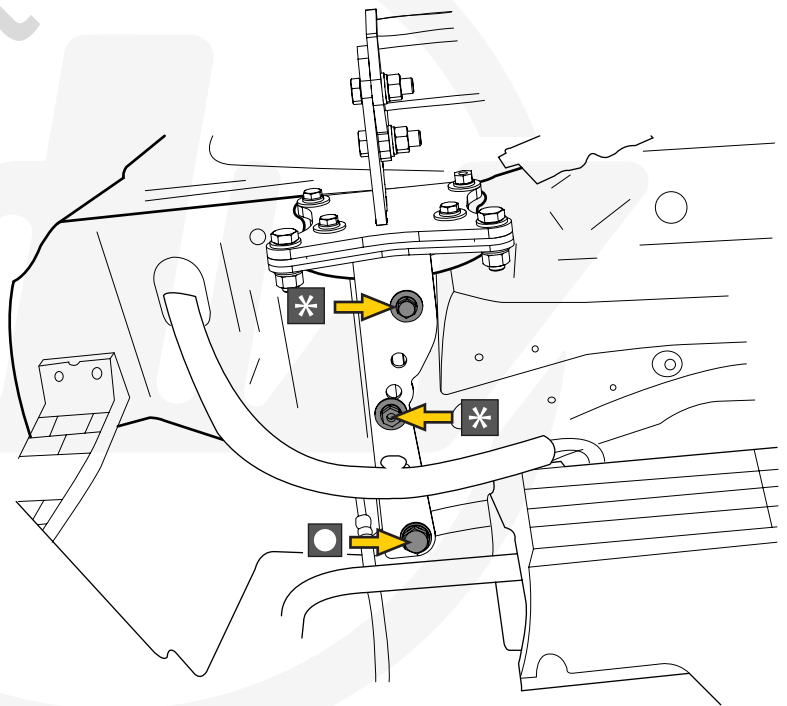
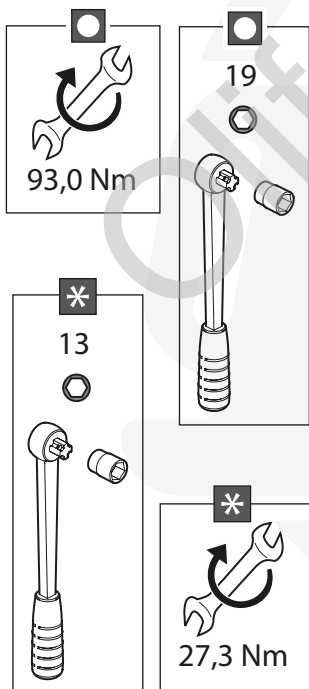
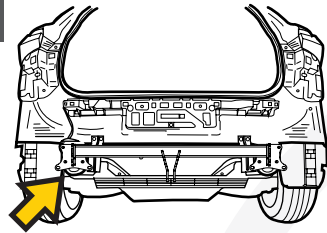
14

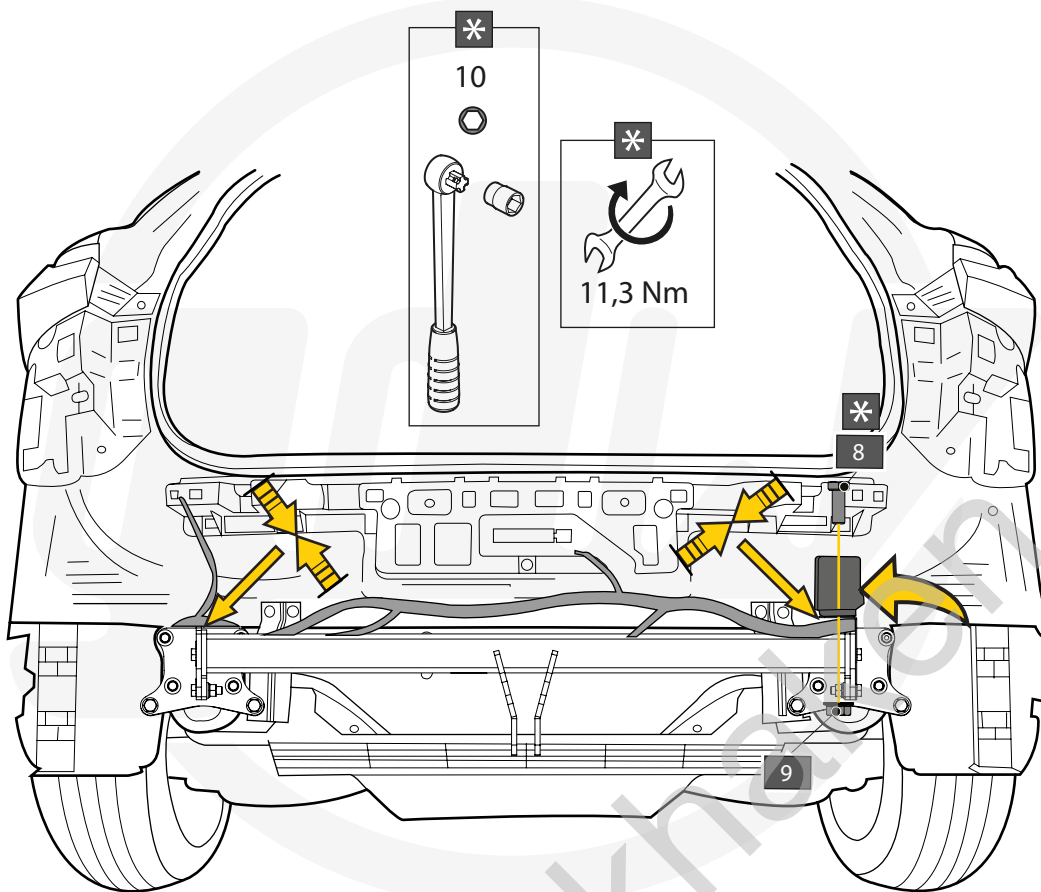


15



16



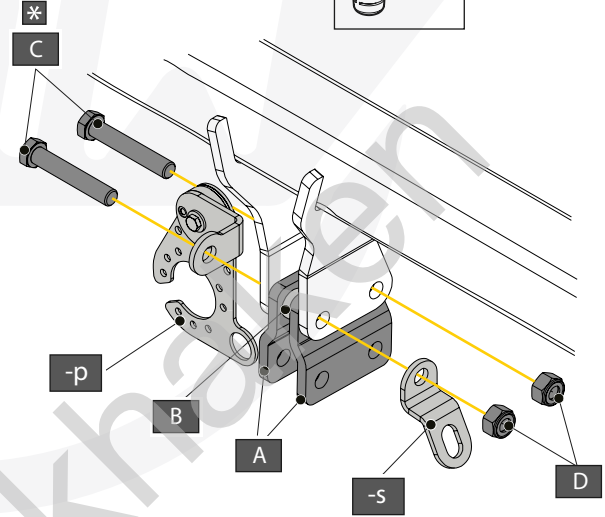
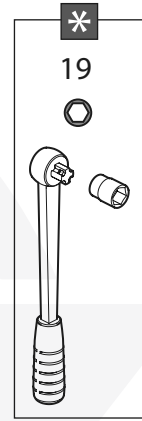
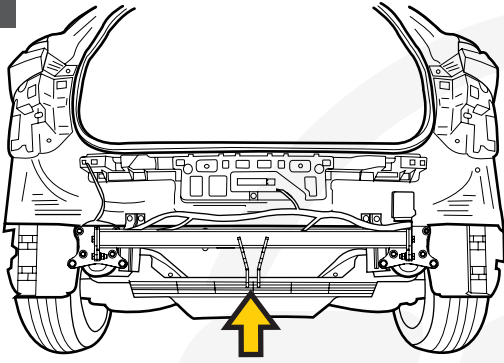


A	X1	GDW REF. 908.096
B	X1	DIN985-M6
C	X2	6,2 X 15,4 X 1,6 (NYLON)
D	X1	GDW REF. 718.16.002
E	X1	GDW REF. 718.16.003
F	X1	GDW REF. 908.094
G	X1	DIN933-M6 X 30

10

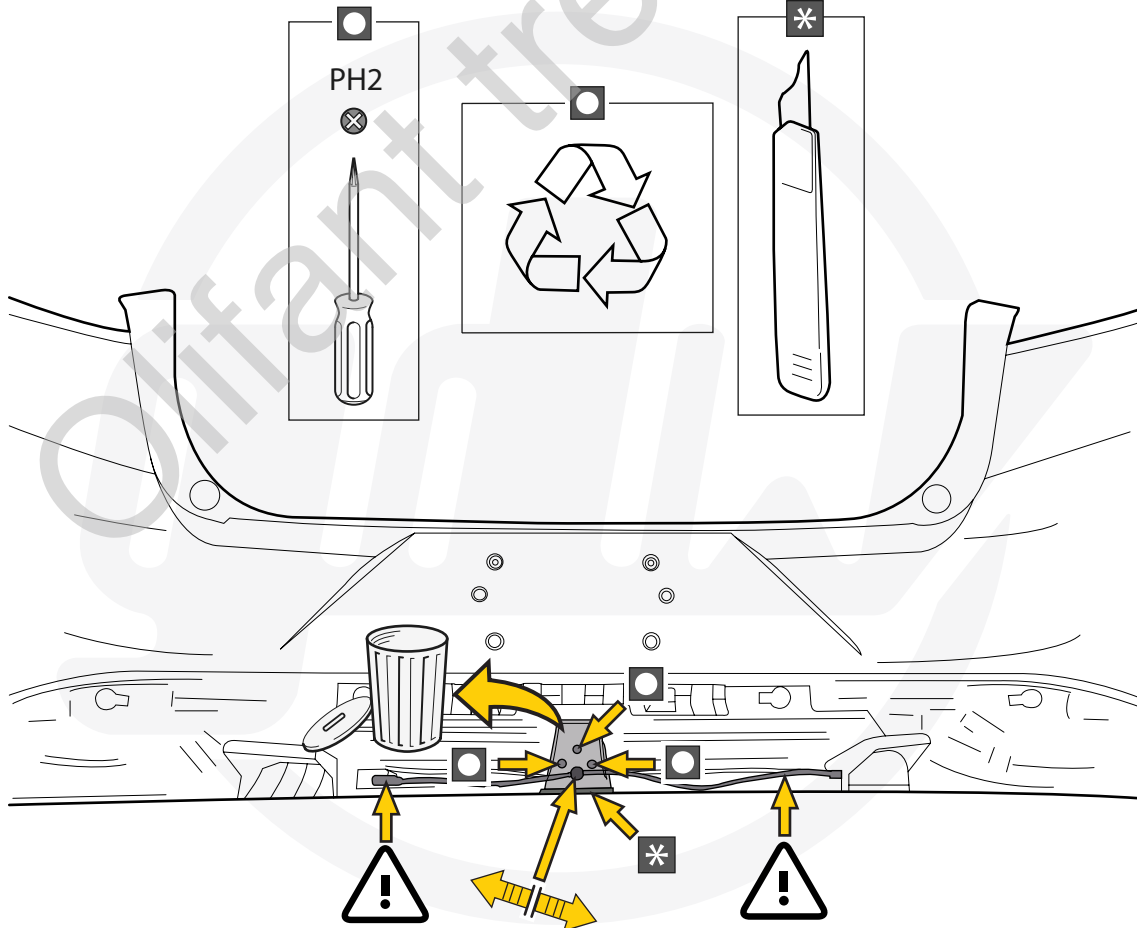
2,0 Nm

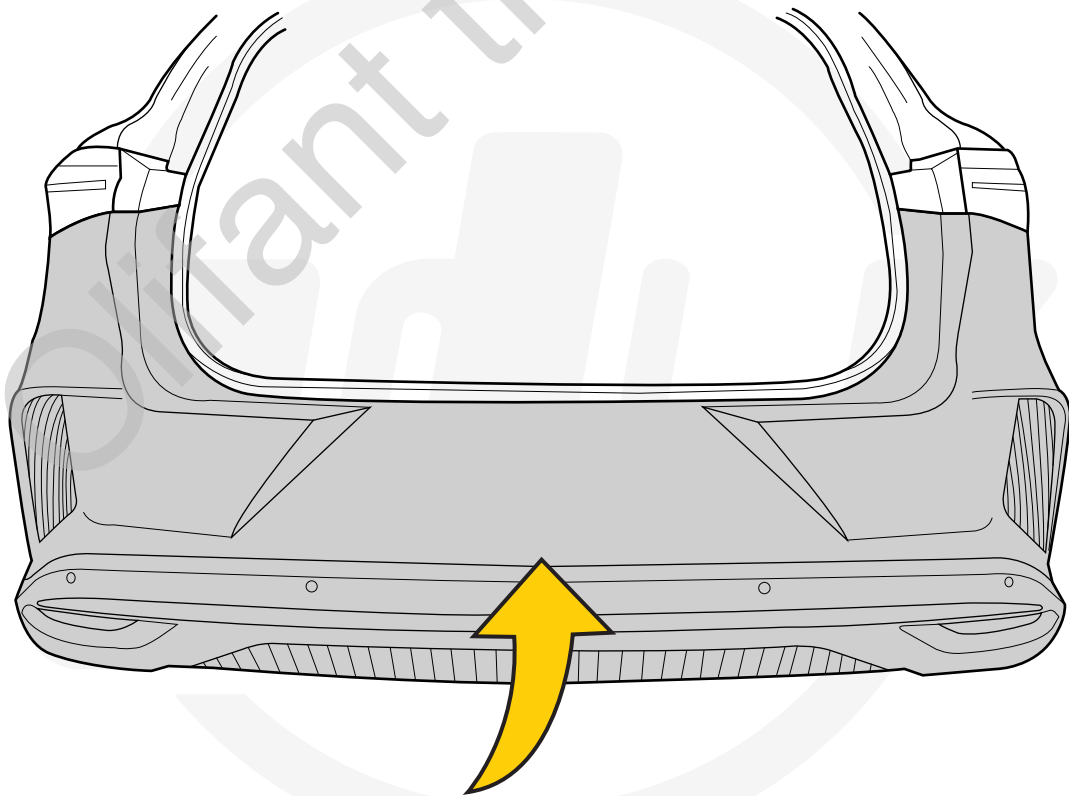
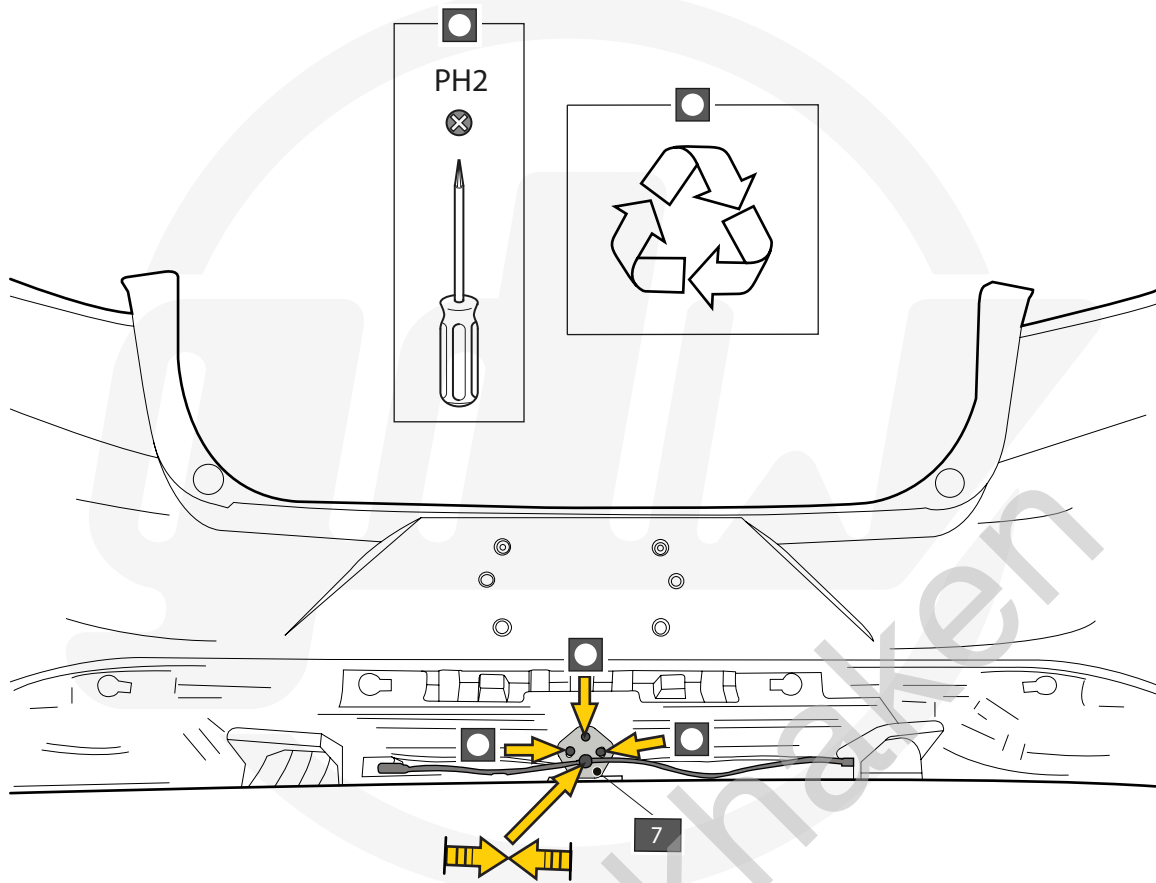
19

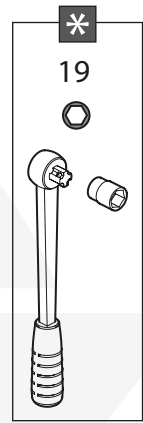
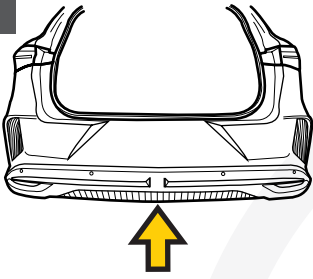


A		X2	GDW REF. 900.008
B		X2	GDW REF. 900.011 Ø 21,3 X 11,7
C		X2	DIN931-M12 X 70 -10,9
D		X2	DIN985-M12 KL10,9
-S		X1	GDW REF. 900.053

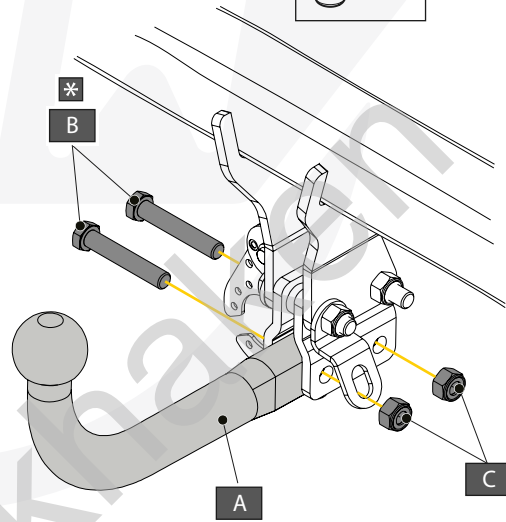
20





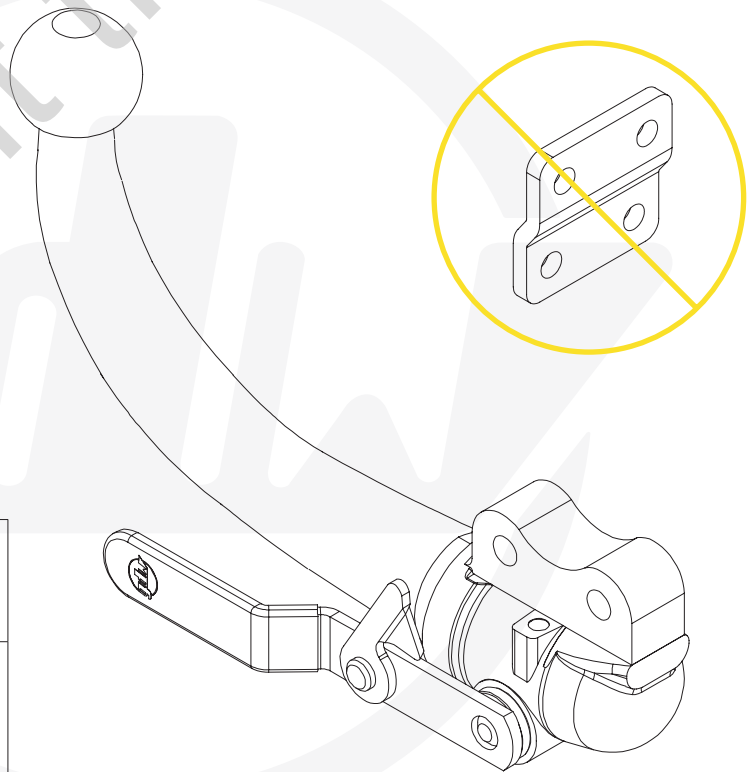


93,0 Nm



A		X1	944.L006
B		X2	DIN931-M12 X 70 -10.9
C		X2	DIN985-M12 KL 10.9

AFN Opties - Options - Options - Optionen - Opciones - Muligheder



OPTION T36

	X1	KITT36-2702
--	----	-------------