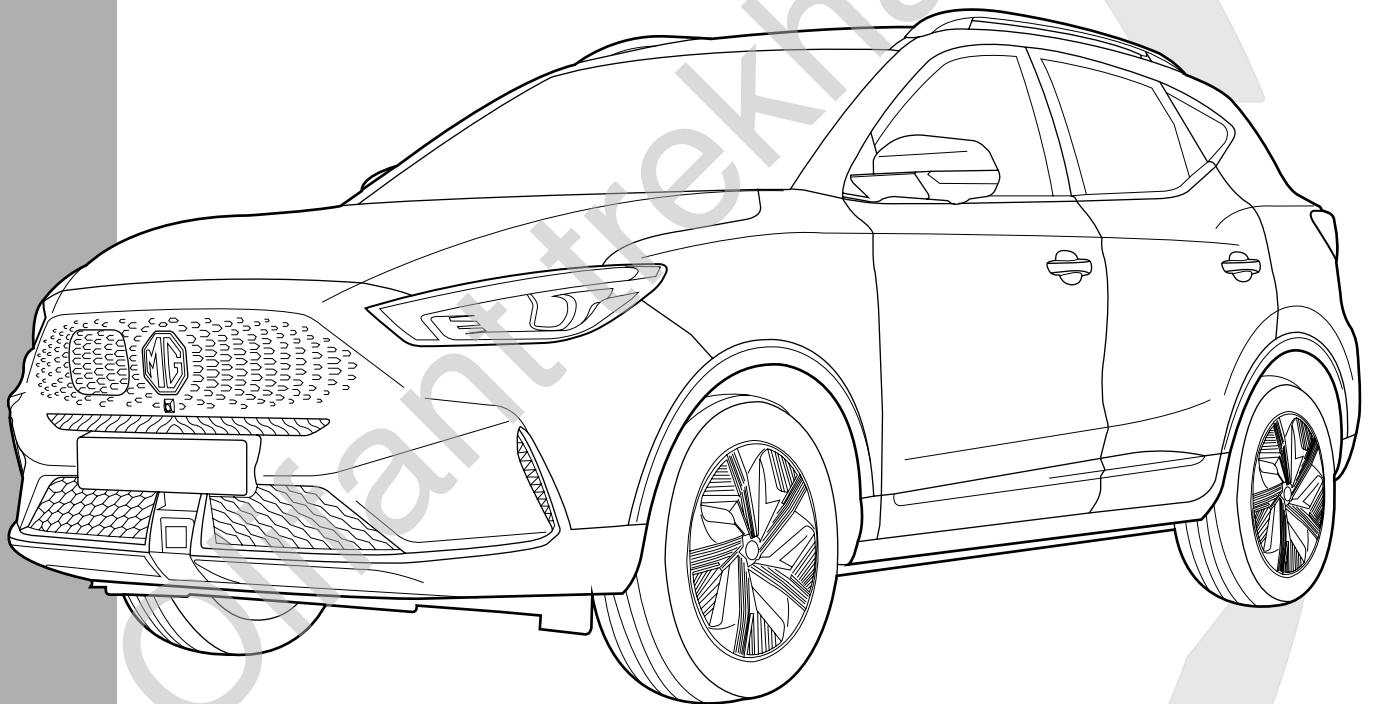


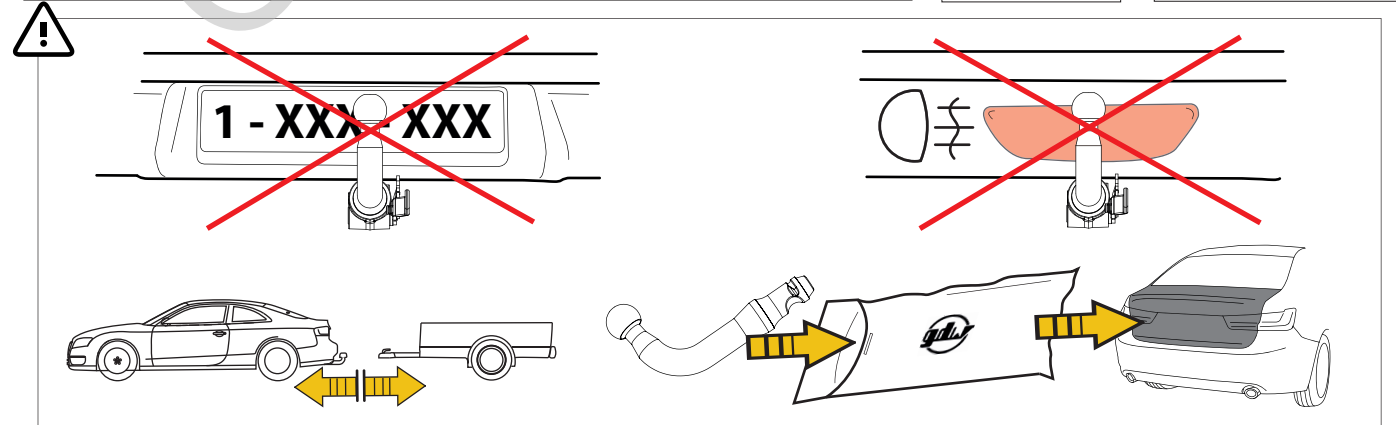
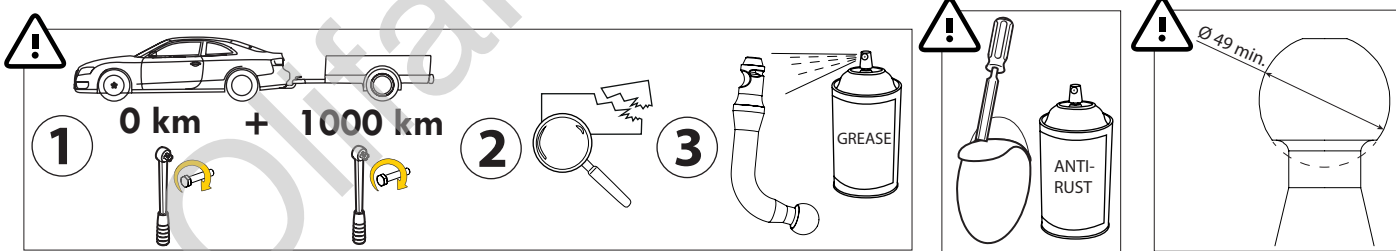
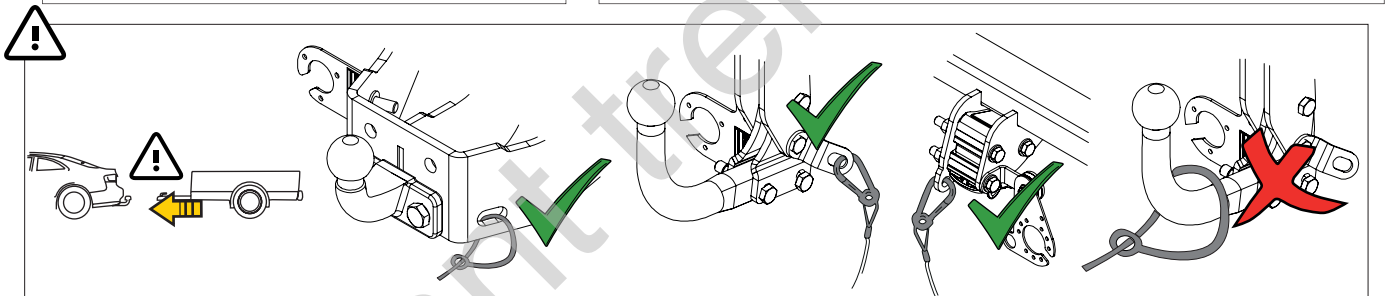
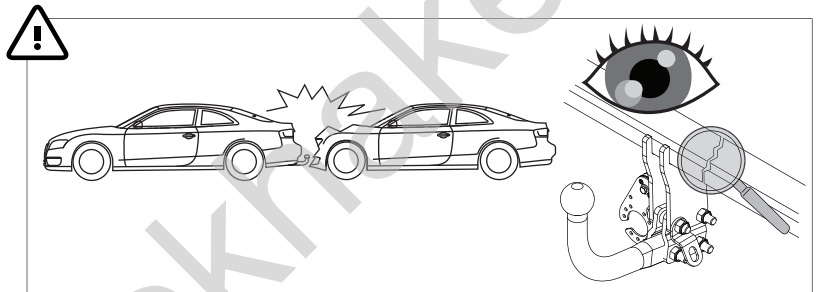
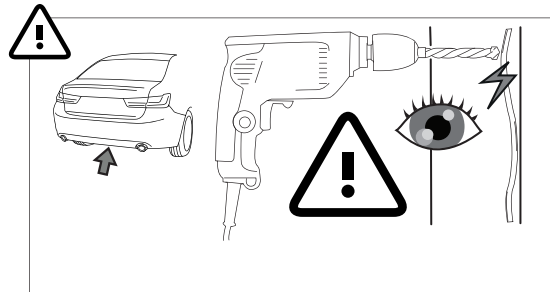
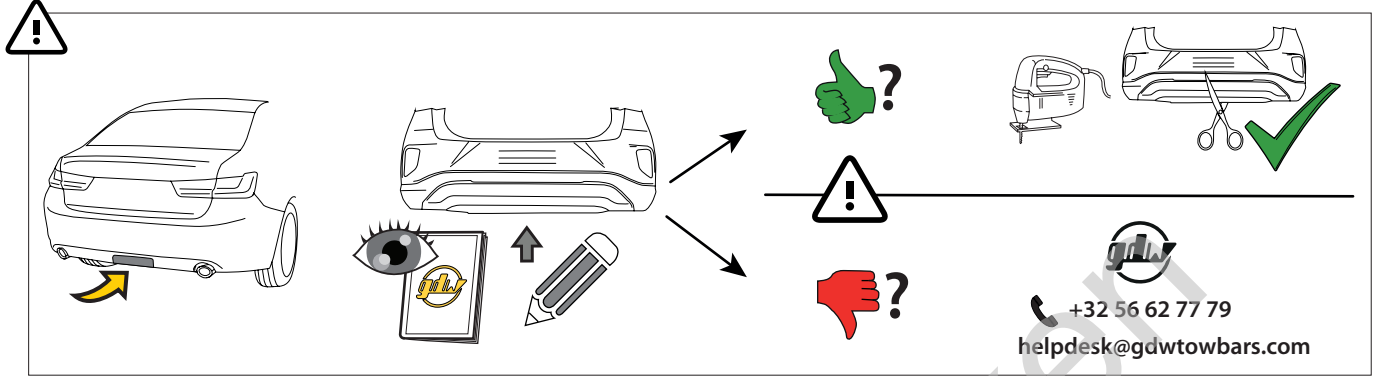
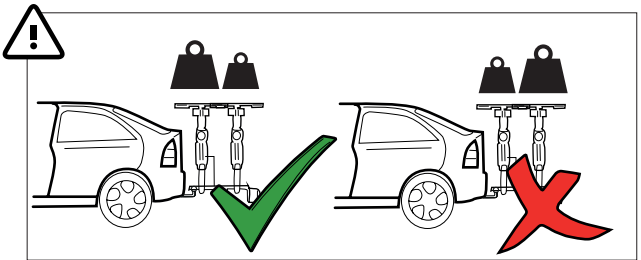
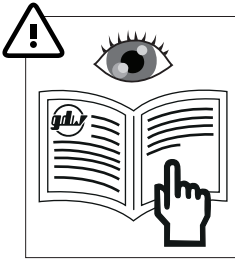
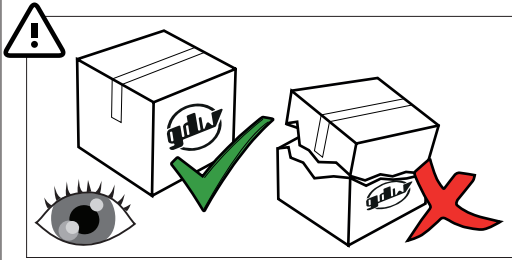


MG ZS + ZS EV

11/'20-

- ✓ COMFORT
- ✓ LUXURY





MADE BY



D 6,60

F

E6

BELGIUM

S 75

EC-N°

55R-02 1749

REF N°

2701T60

SERIAL N°

XXXX

DESCRIPTION

MG ZS + ZS EV

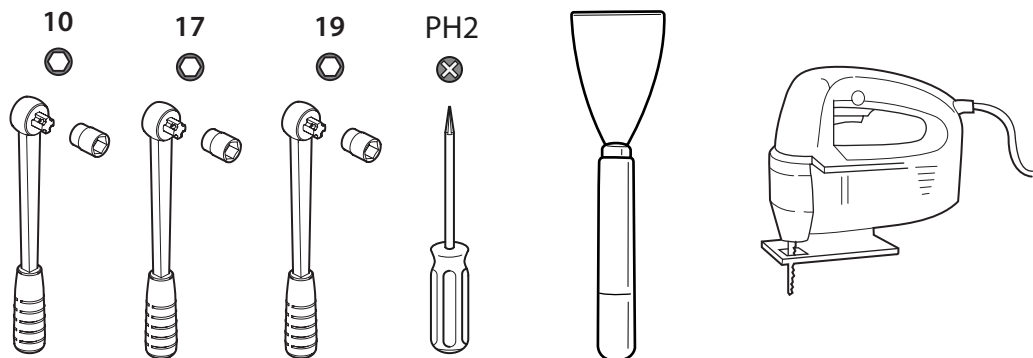
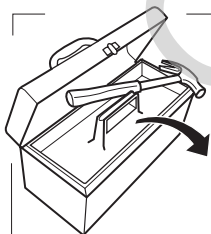
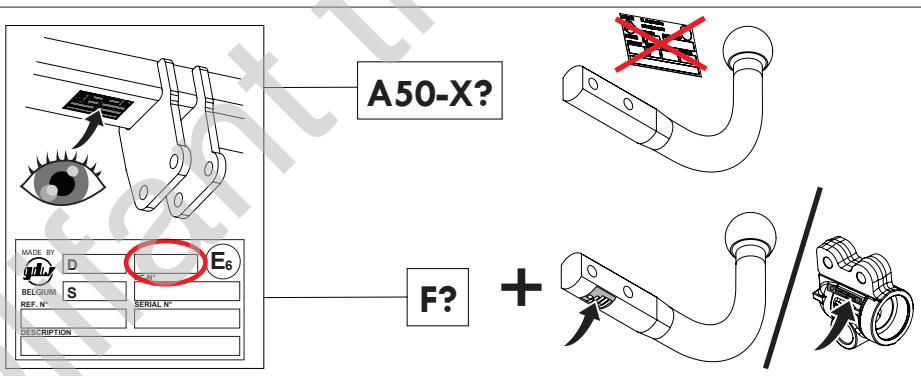
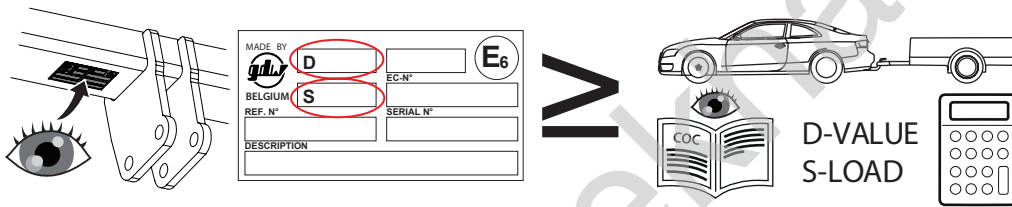
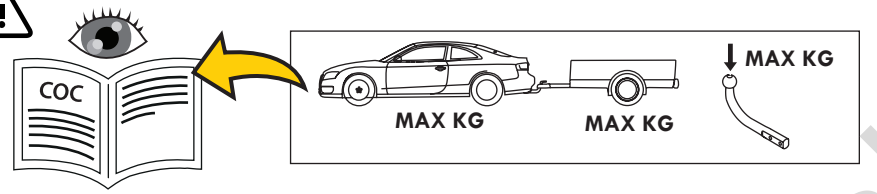


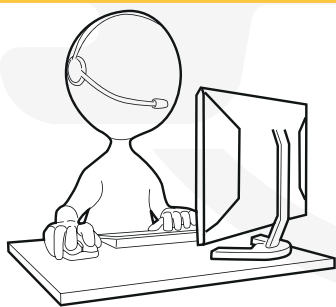
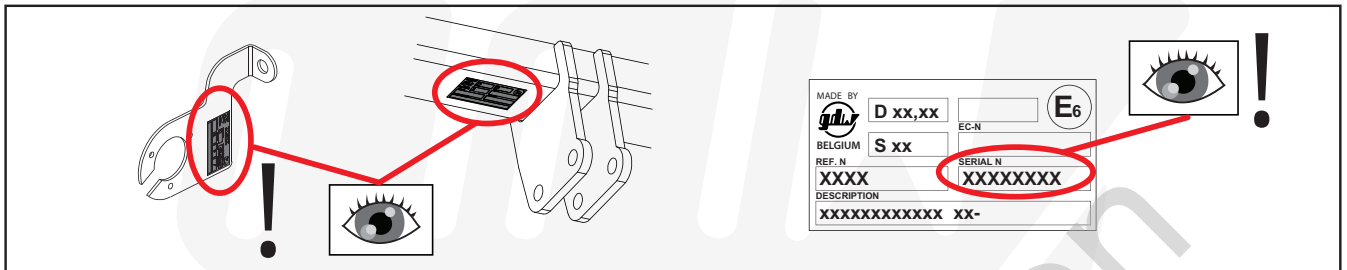
$$D = \frac{\text{max kg (car)} \times \text{max kg (trailer)}}{\text{max kg (car)} + \text{max kg (trailer)}} \times 0.00981 \leq 6,60 \text{ kN}$$

$$S = \begin{cases} \leq 75 \text{ kg} \\ \leq 750 \text{ kg} \end{cases}$$



See the Certificate Of Conformity (COC) of your vehicle or contact your dealer to verify the max. trailer weight of your car!

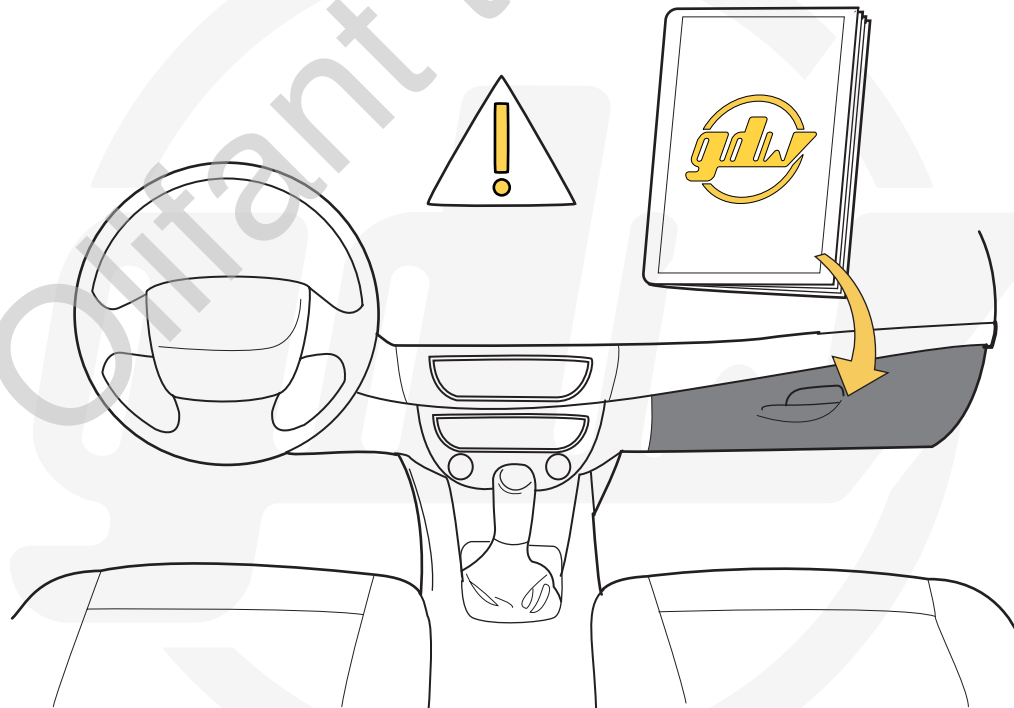


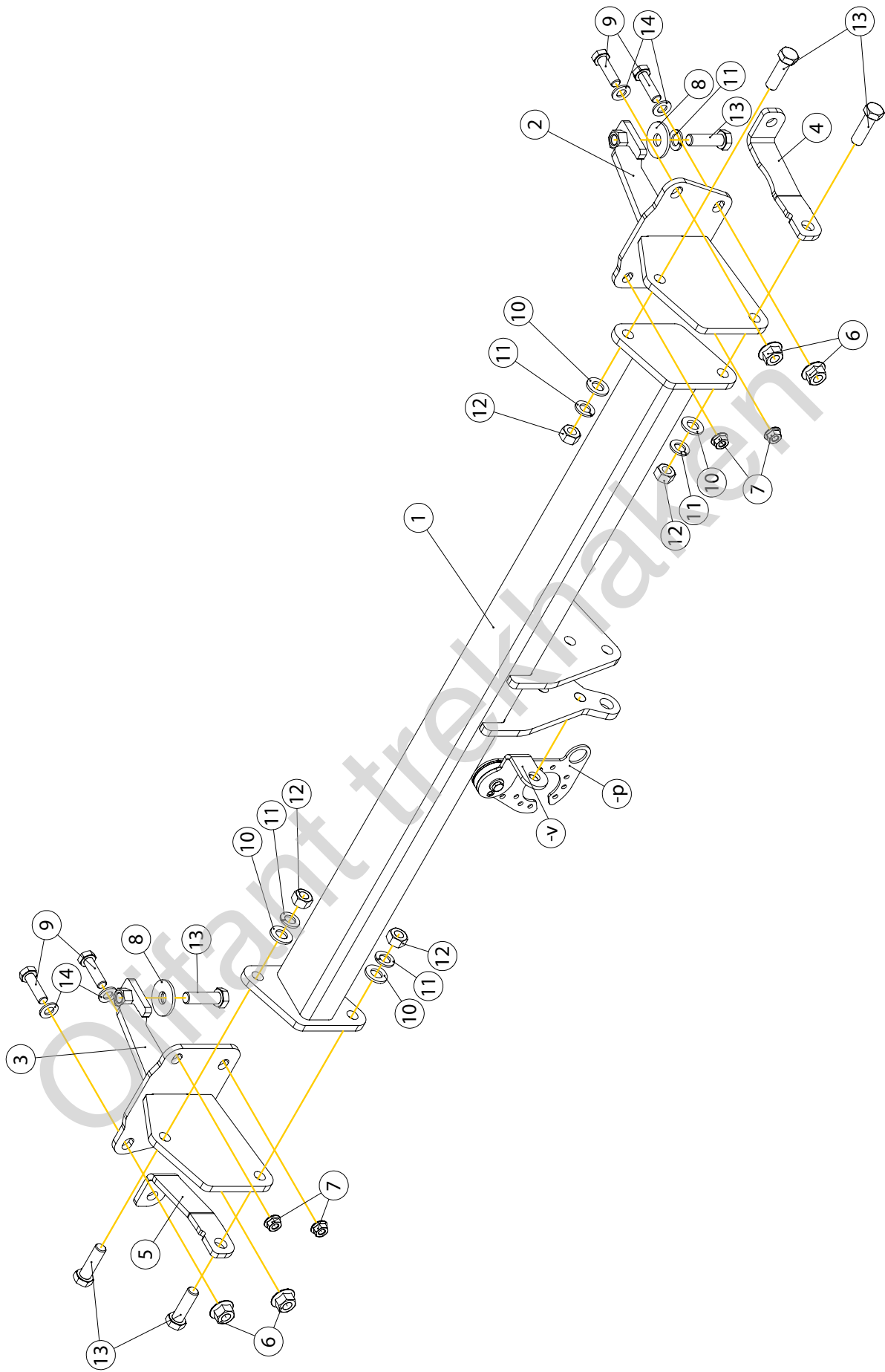


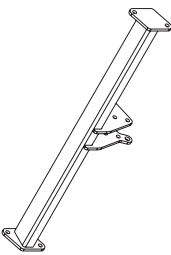
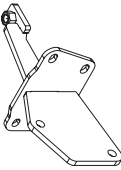
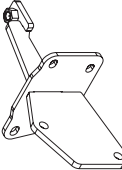
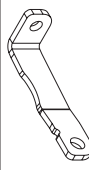
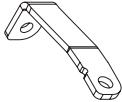








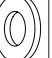
helpdesk@gdwtowbars.com

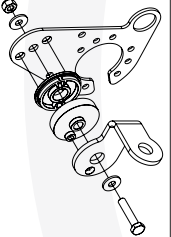

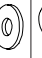


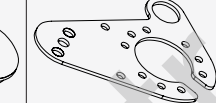


+32 56 62 77 79

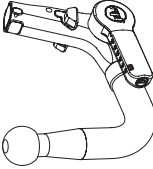
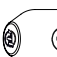



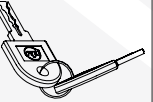




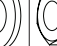

Monday	08:00 - 12:00	12:30 - 16:30
Tuesday	08:00 - 12:00	12:30 - 16:30
Wednesday	08:00 - 12:00	12:30 - 16:30
Thursday	08:00 - 12:00	12:30 - 16:30
Friday	08:00 - 12:00	12:30 - 15:30



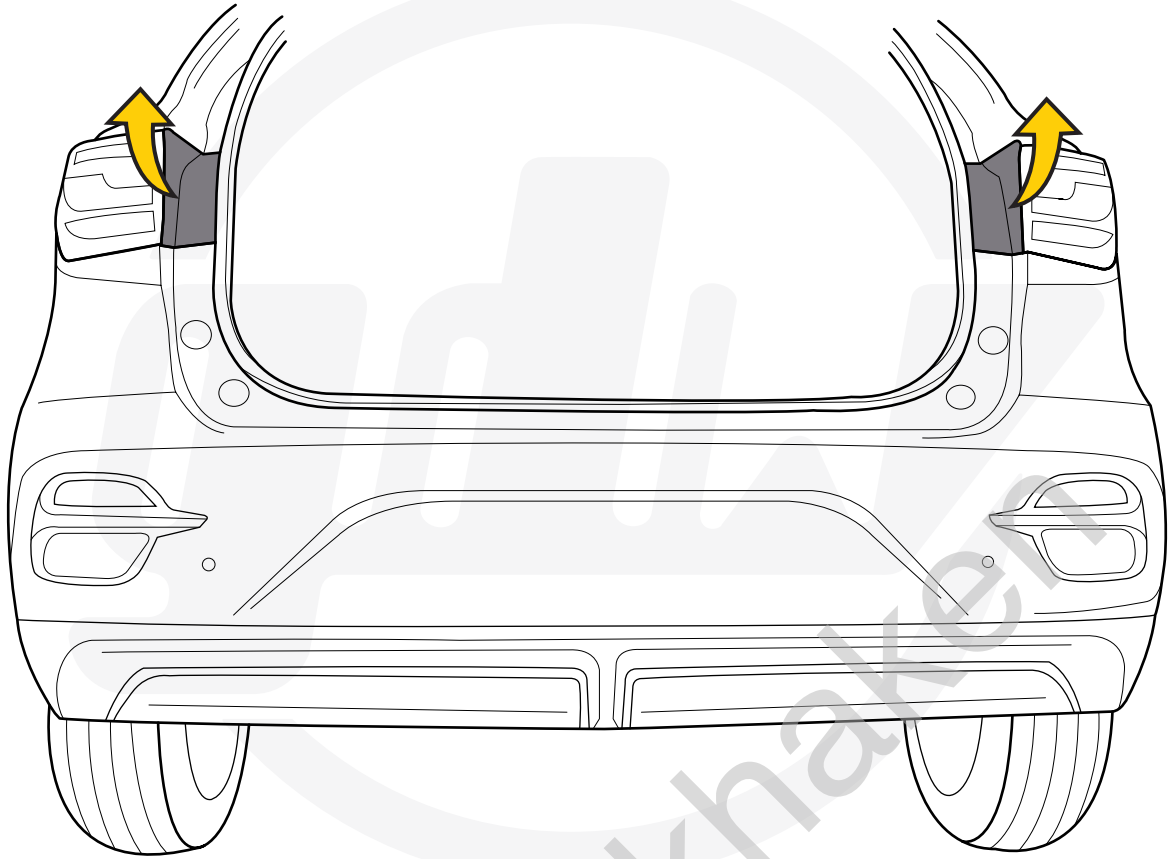


1		X1	GDW REF. 2701160
2		X1	GDW REF. 2
3		X1	GDW REF. 3
4		X1	GDW REF. 4
5		X1	GDW REF. 5
6		X4	DIN6923-M10
7		X4	DIN6923-M8
8		X2	DIN9021-M12-ELV
9		X4	DIN933-M10x35
10		X4	DIN125-A12-140HV-ELVZ
11		X6	DIN128A-M12
12		X4	DIN934-M12
13		X4	DIN933-M12x40
14		X4	DIN125-A10-140HV-ELVZ

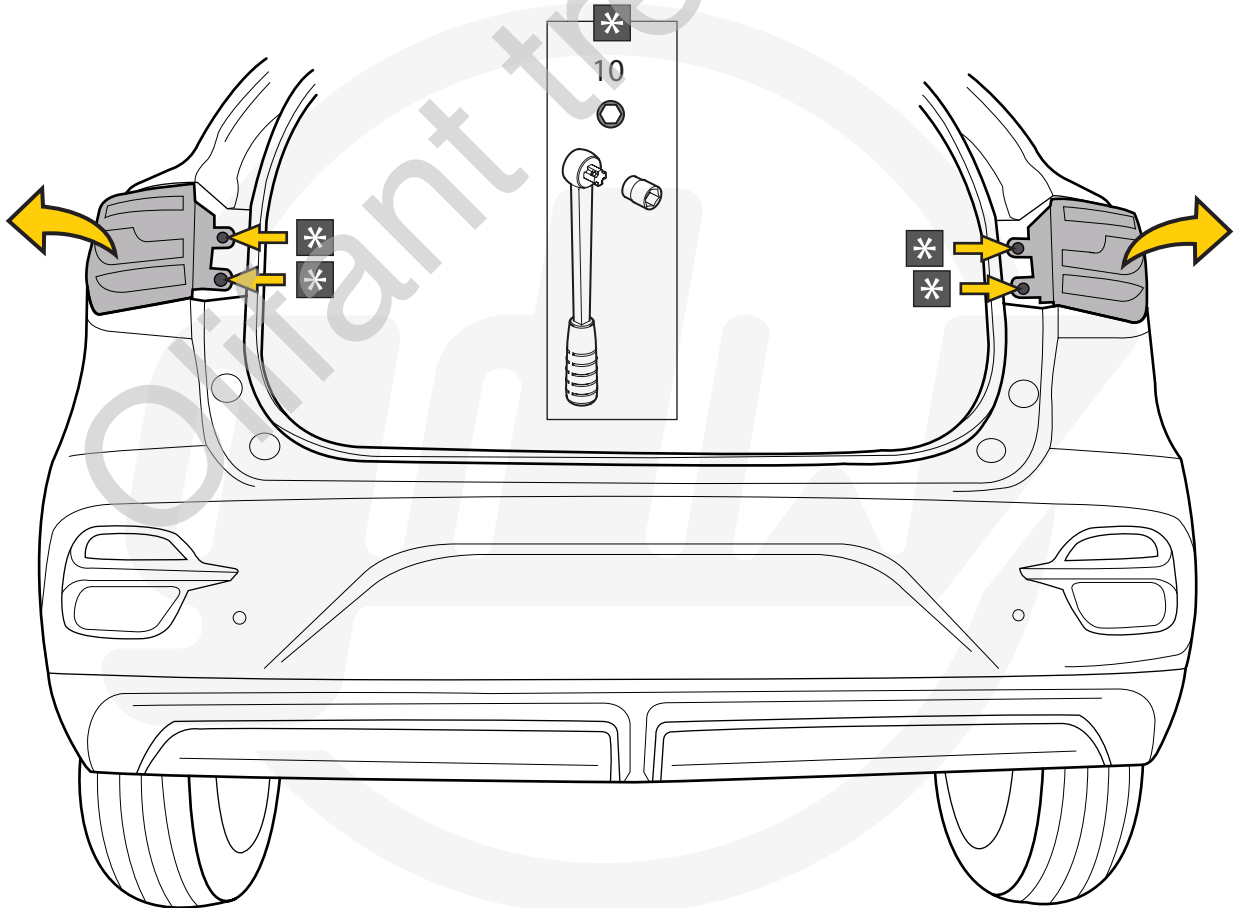
P		X1	GDW REF. P39
↑		X1	DIN985-M6
↑		X2	6,2 X 15,4 X 1,6 (NYLON)
↑		X1	GDW REF. 718.16.002
↑		X1	GDW REF. 718.16.003
↑		X1	GDW REF. 908.094
↑		X1	DIN933-M6 X 30
↑		X1	GDW REF. 908.095

Geleverd met - Livré avec - Delivered with Geliefert mit - Elementos adjuntos-Levers med		X1	GDW REF. 960.V1208
	↑ 	X1	GDW REF. 740.200
		X1	GDW REF. 912.003
	↑ 	X1	GDW REF. 740.112
	↑ 	X1	GDW REF. 740.111
		X1	GDW REF. 740.12X X= LAST NUMBER ON KEY
		X1	GDW REF. 718.15.001
		X1	GDW REF. SYST60-10
	↑ 	X3	DIN931-M12X110-8.8
	↑ 	X3	DIN128A-M12
	↑ 	X6	DIN125A-M12
	↑ 	X3	DIN934-M12

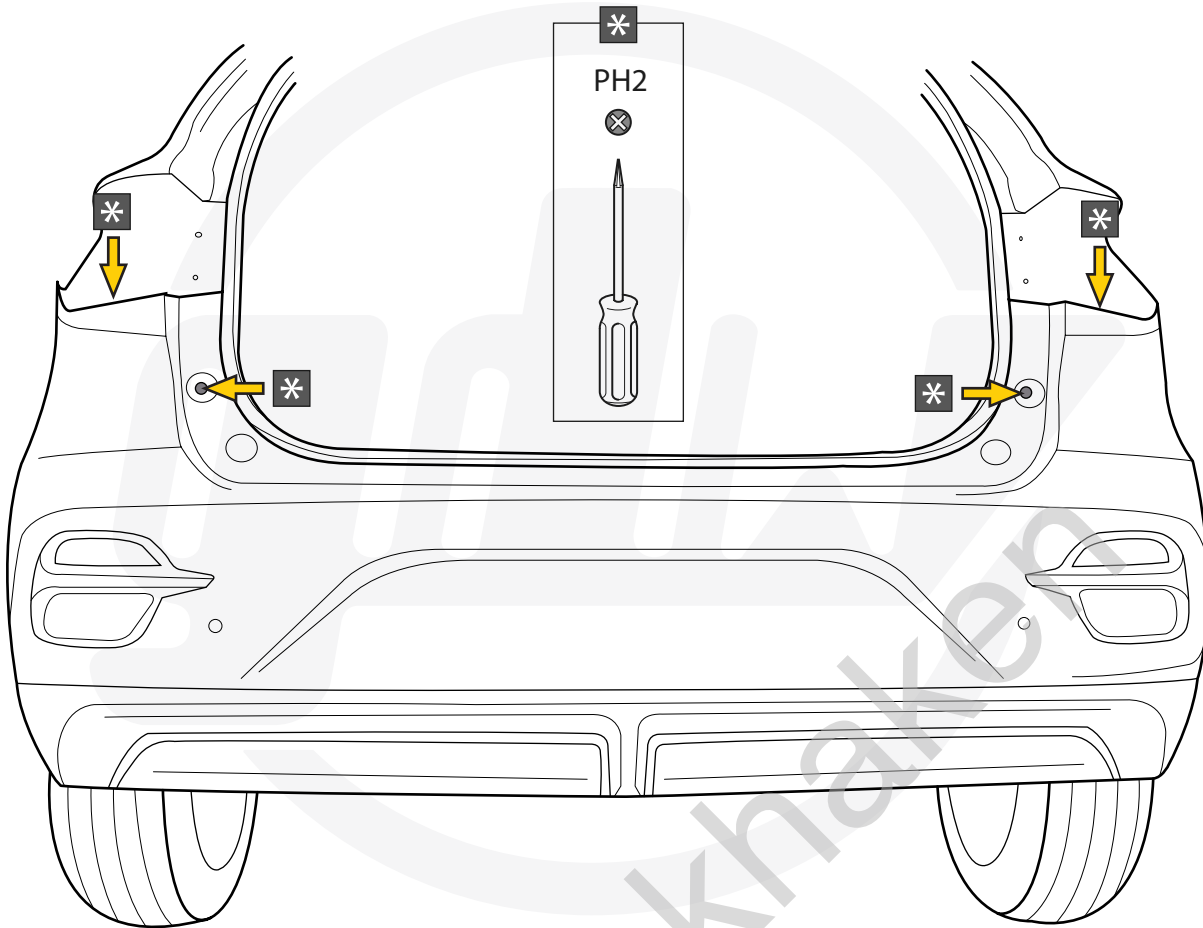
1



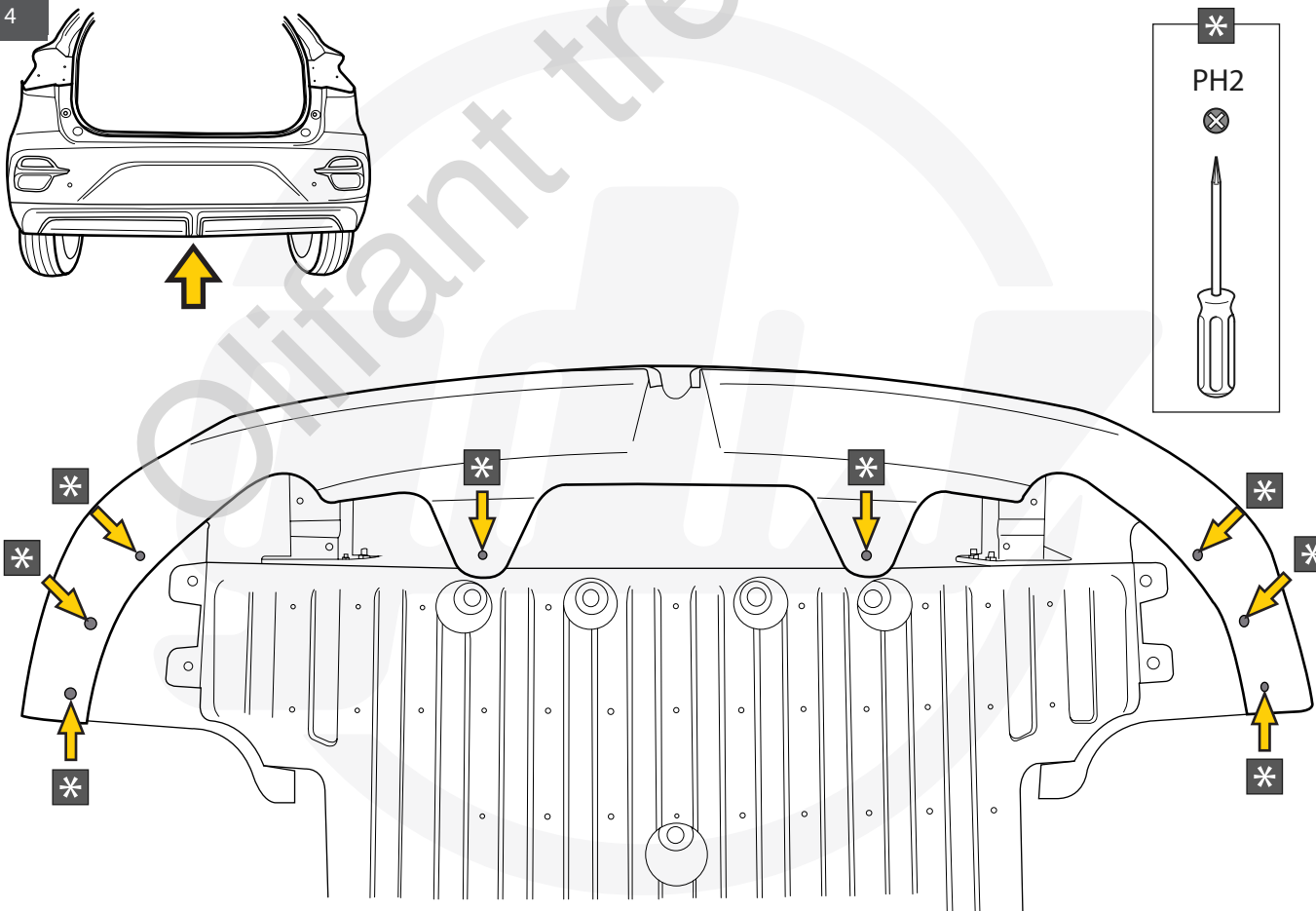
2

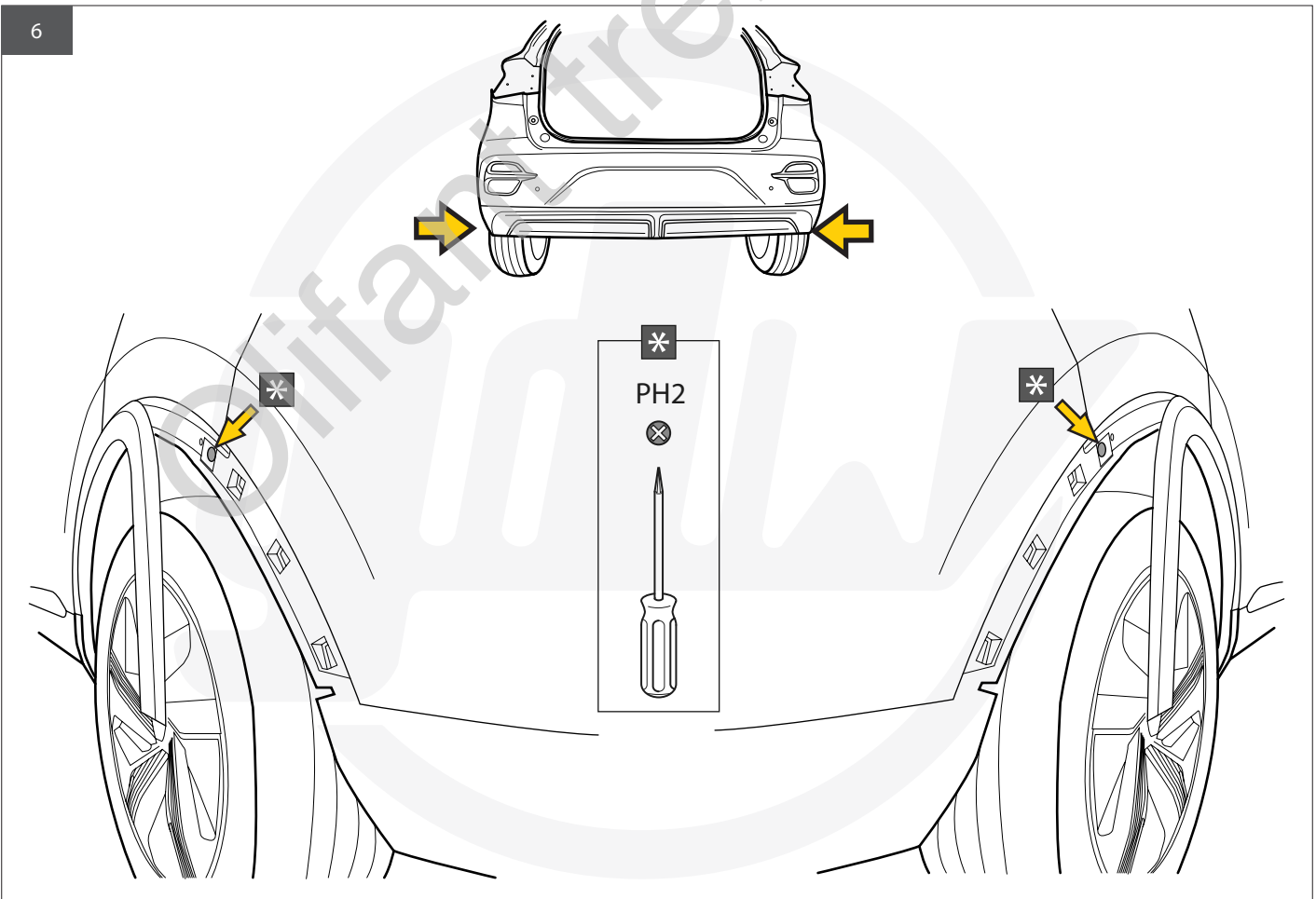
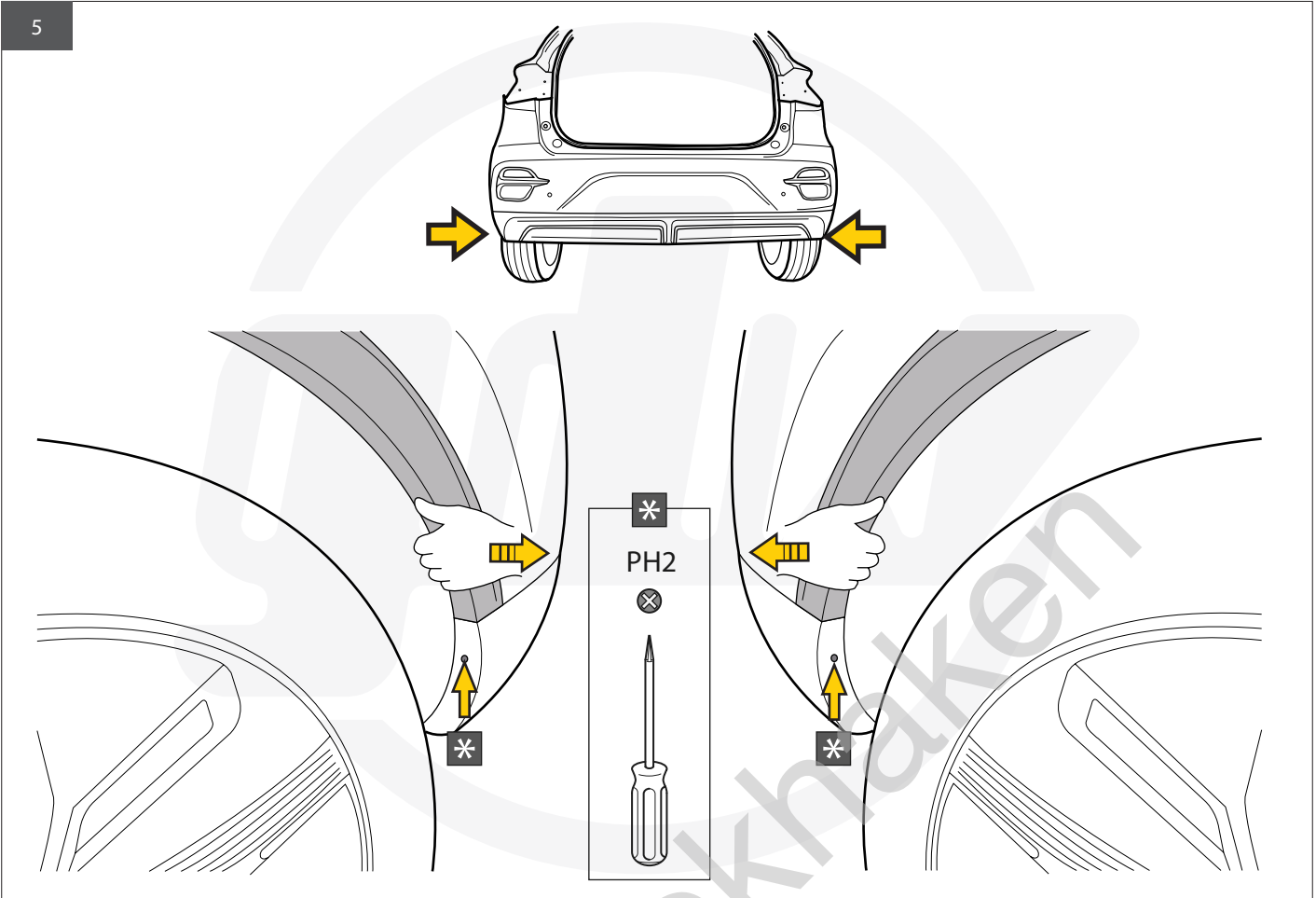


3

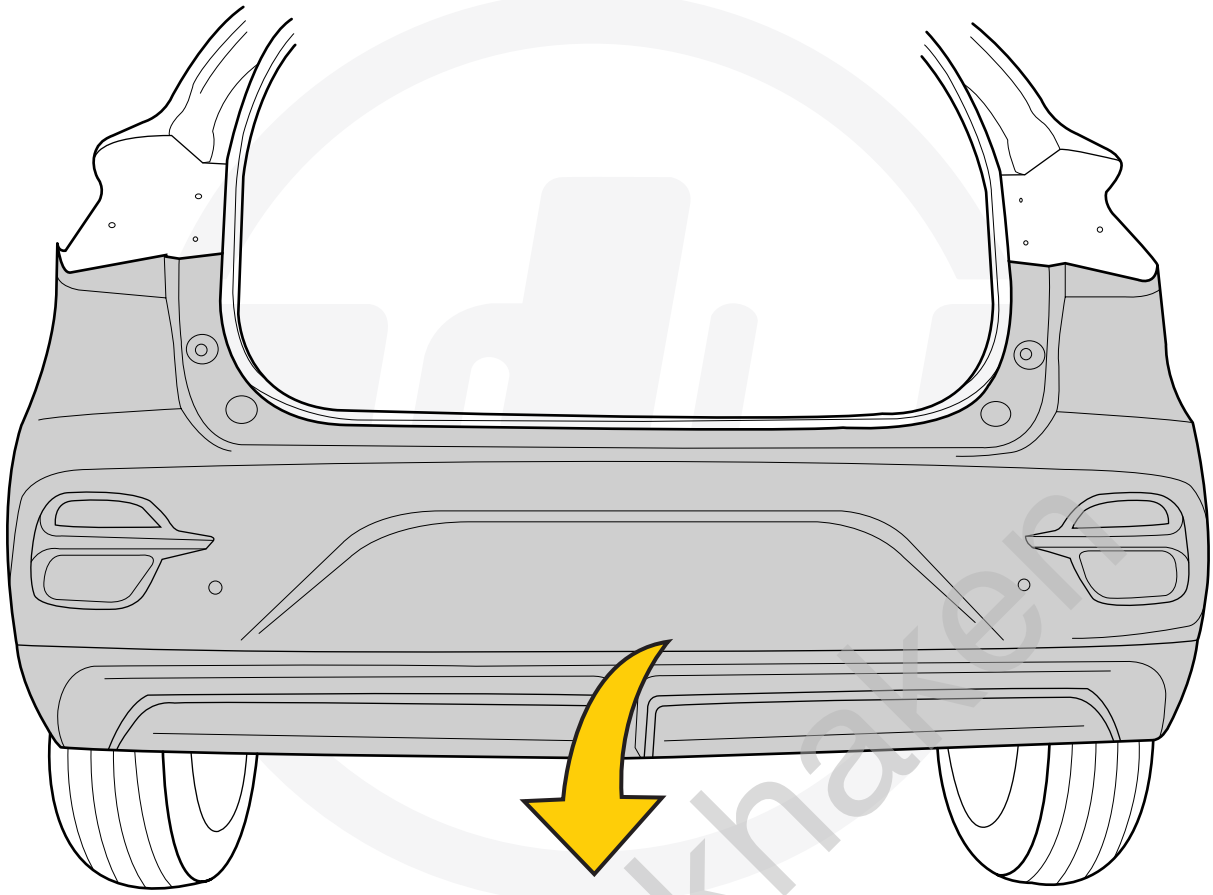


4

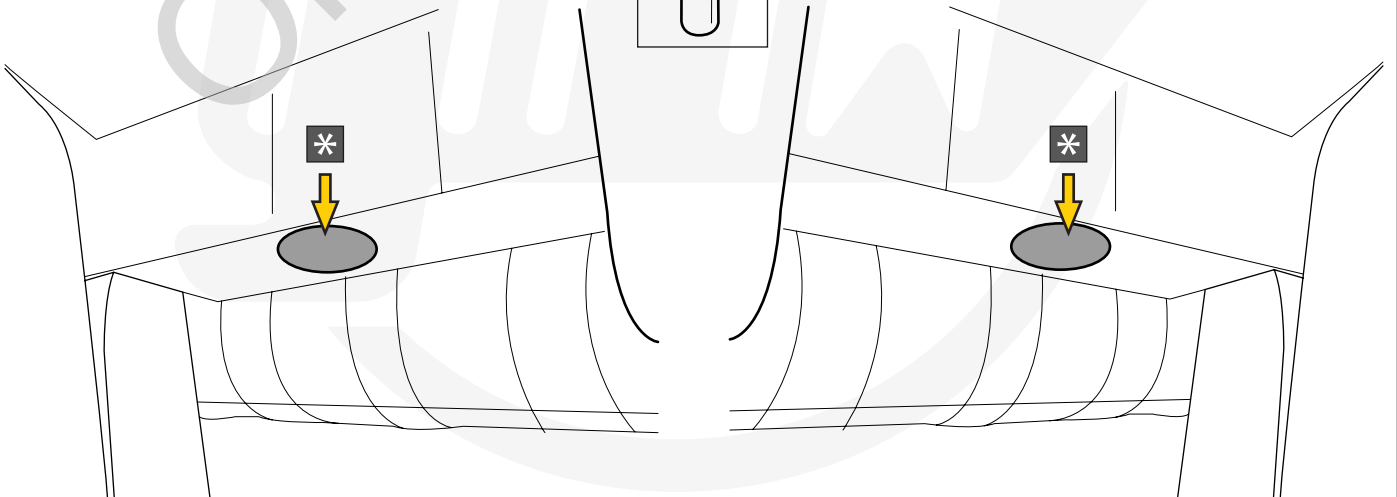
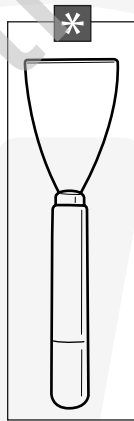
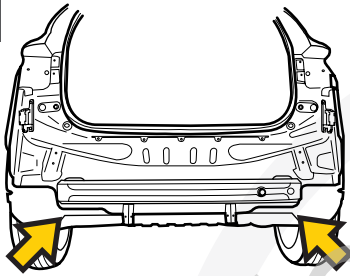


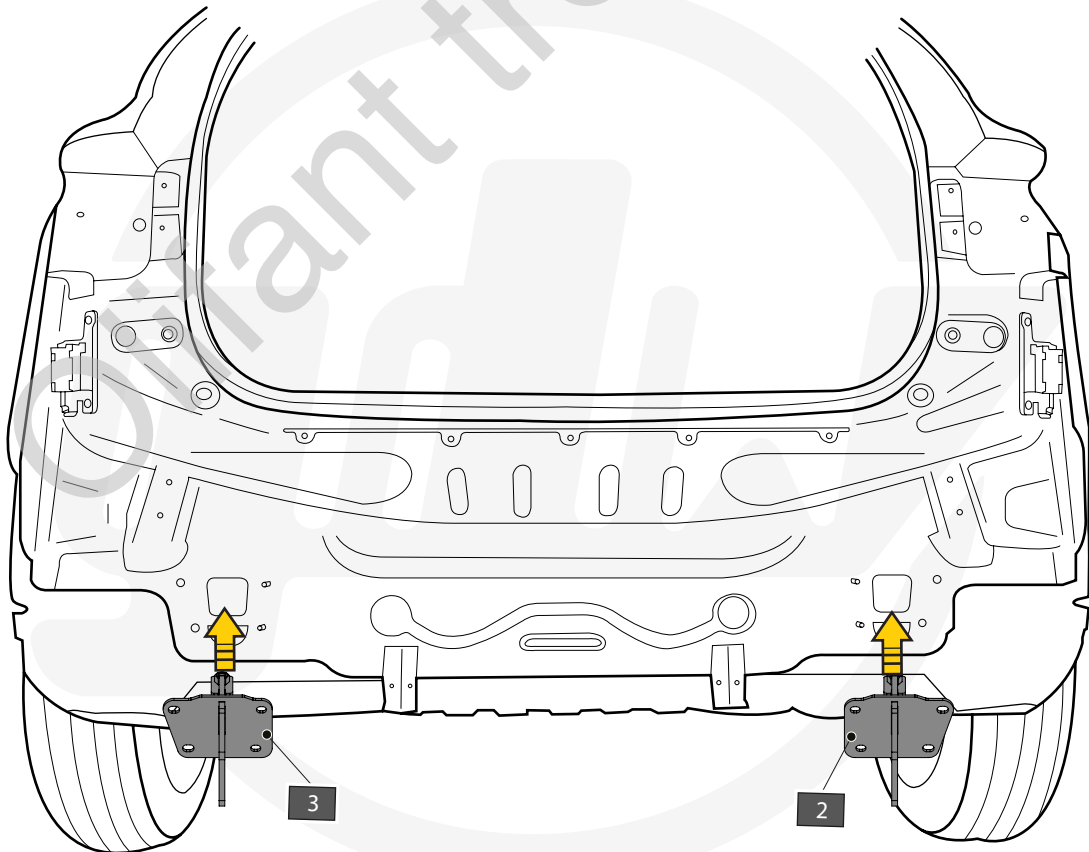
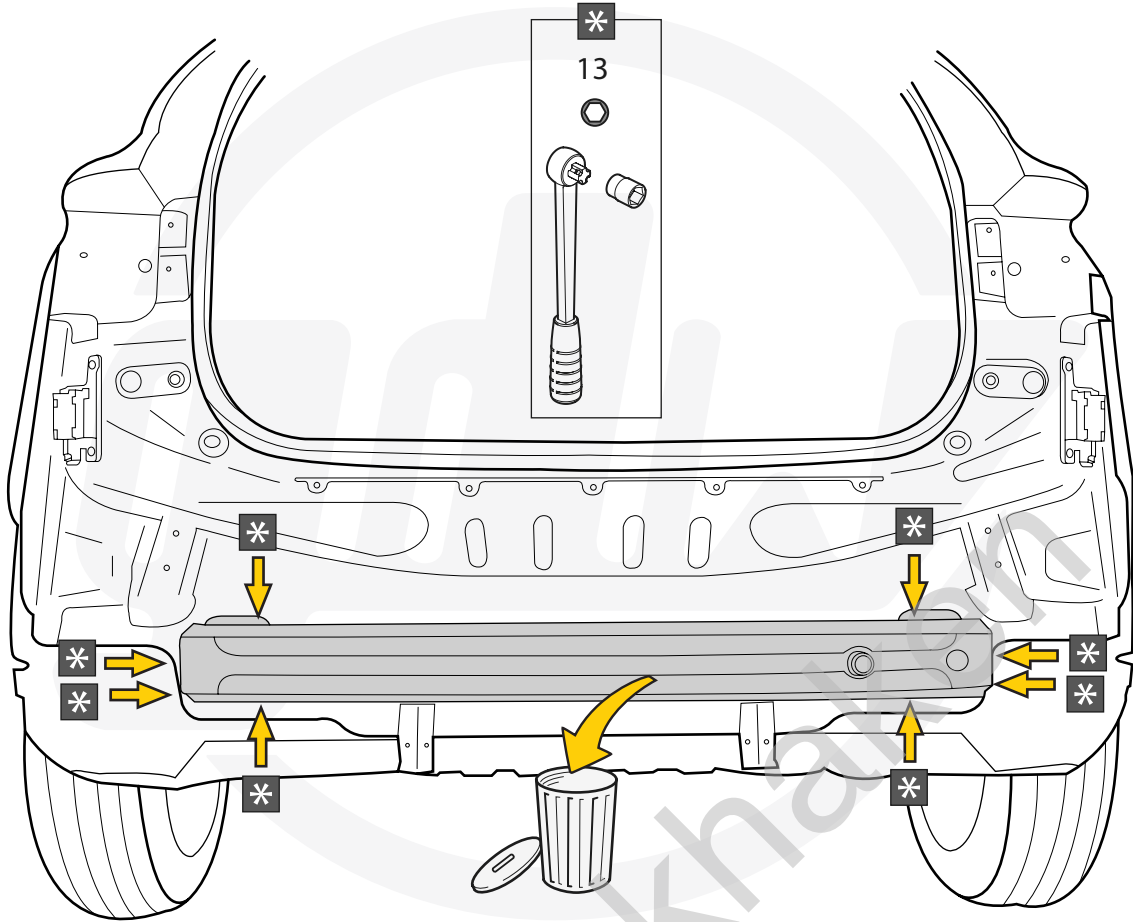


7

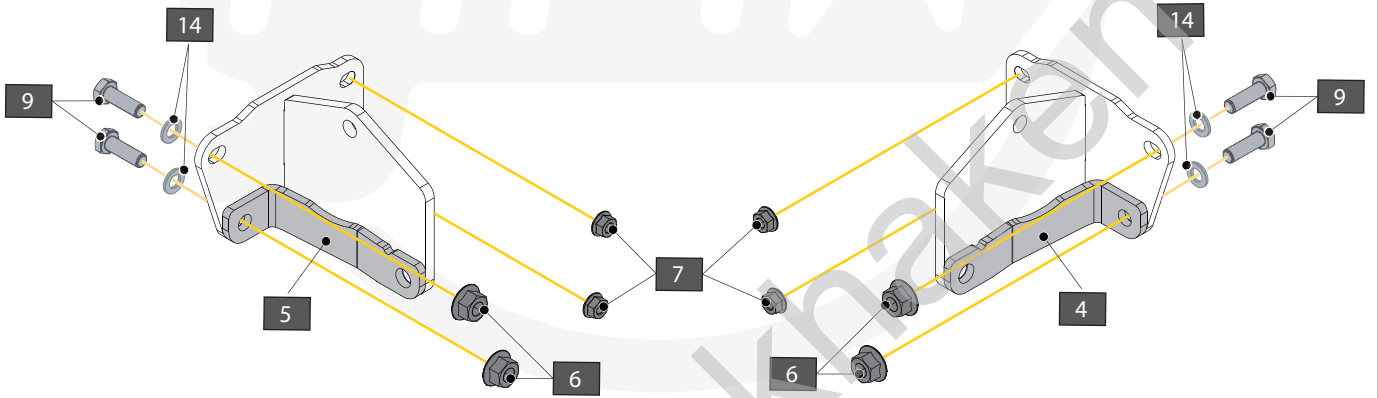
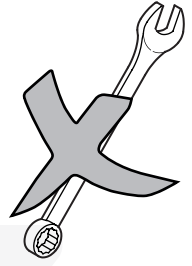
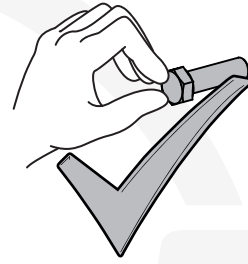
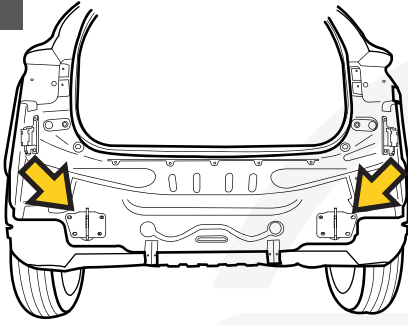


8

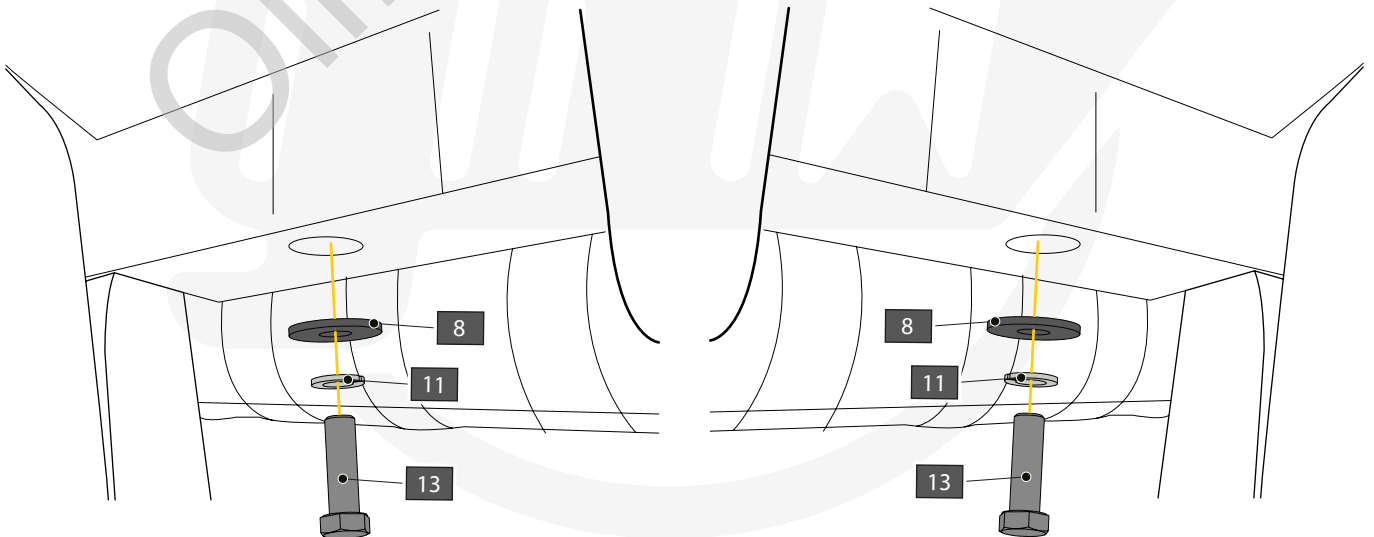
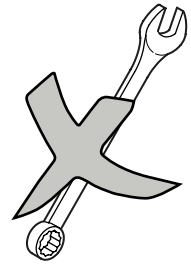
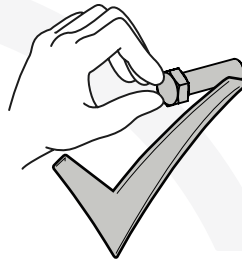
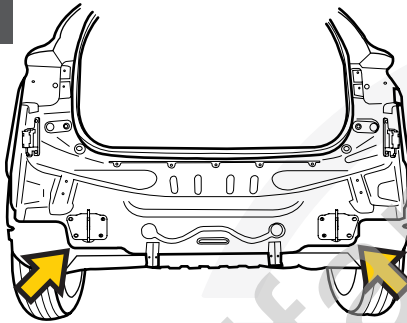


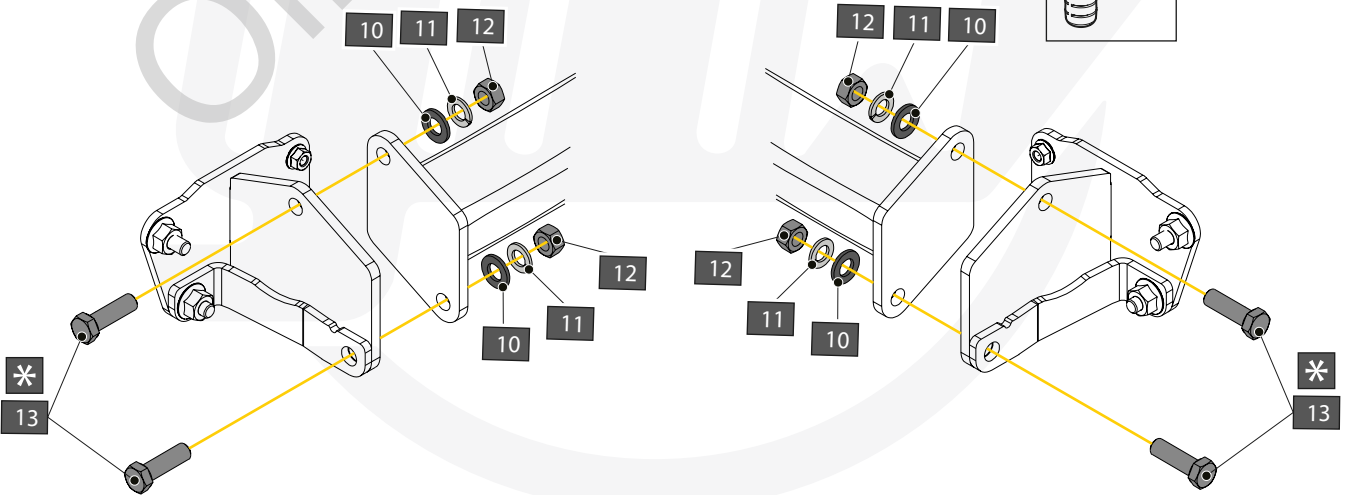
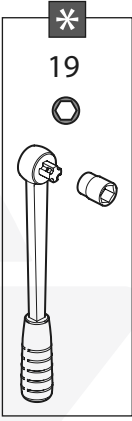
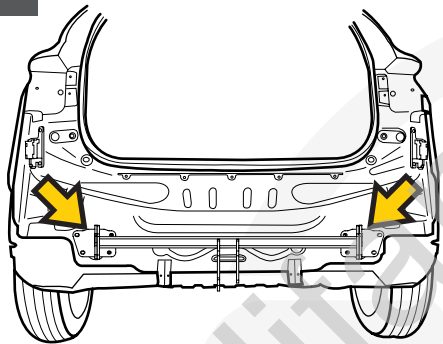
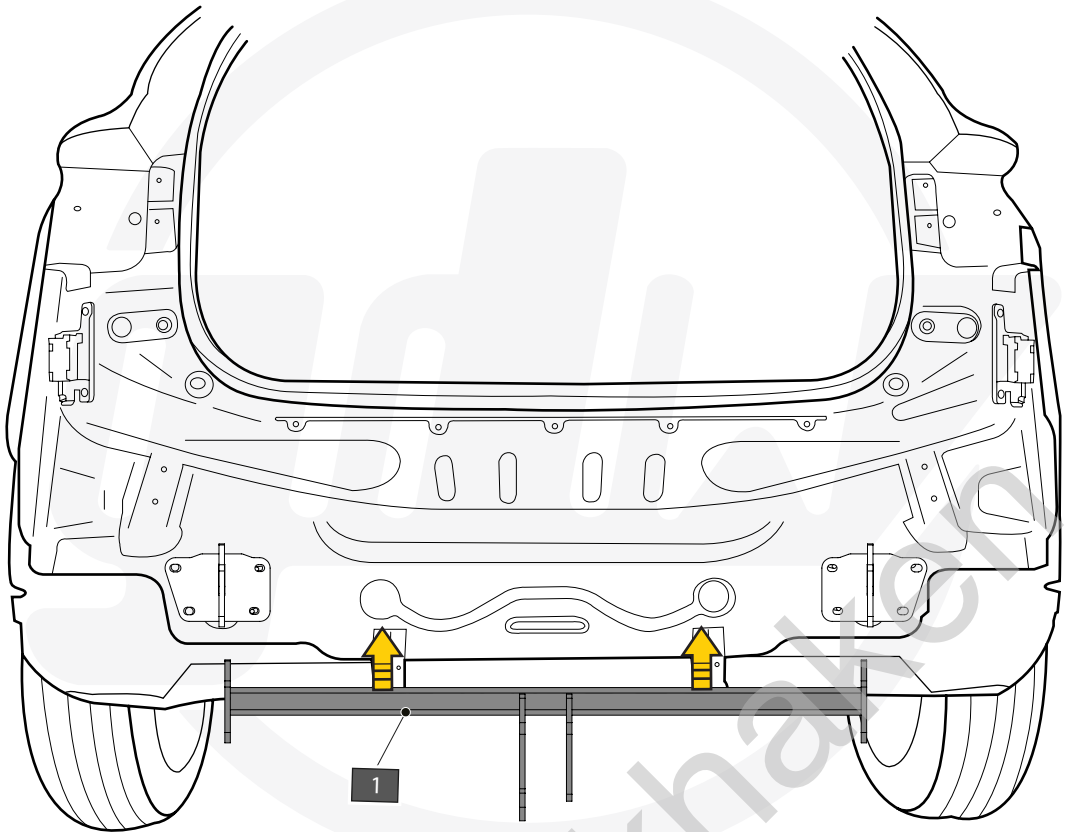


11

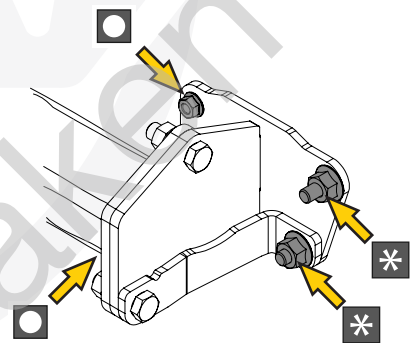
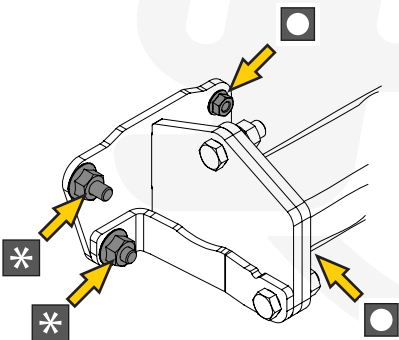
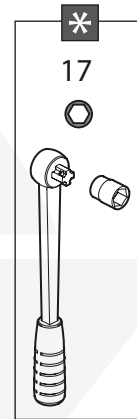
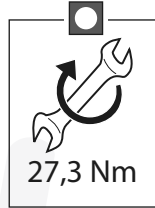
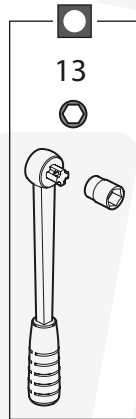
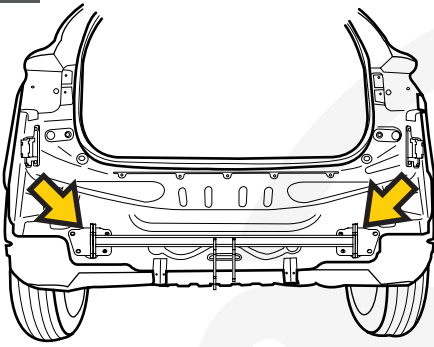


12

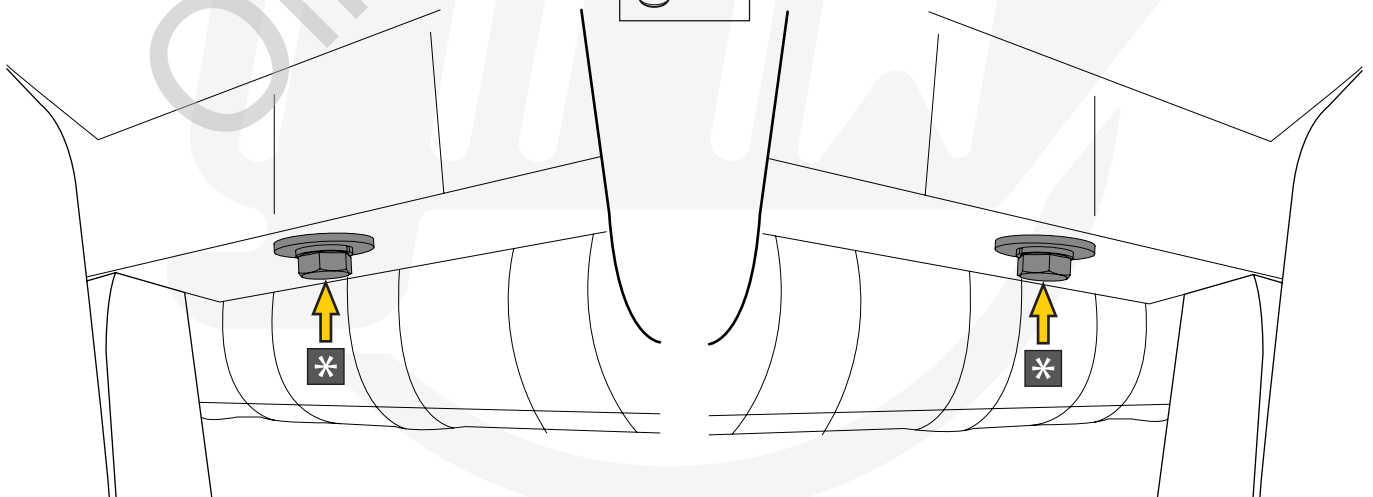
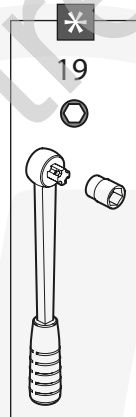
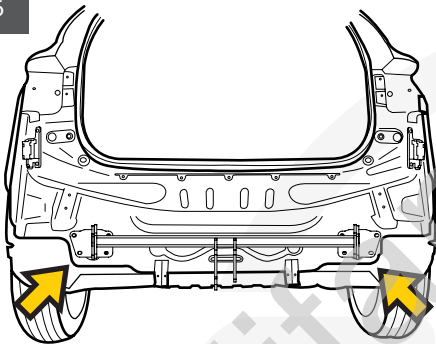


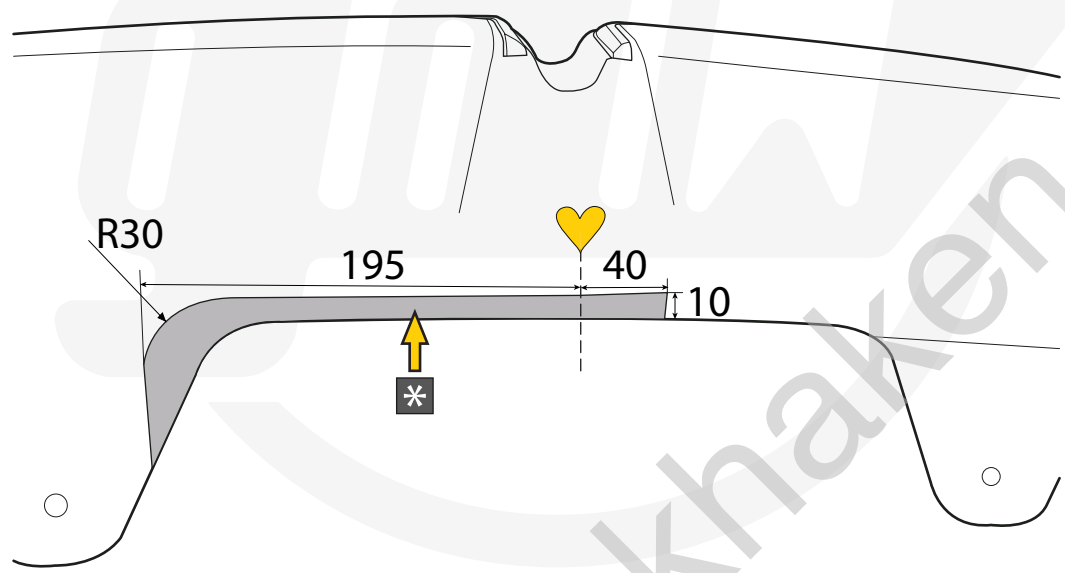
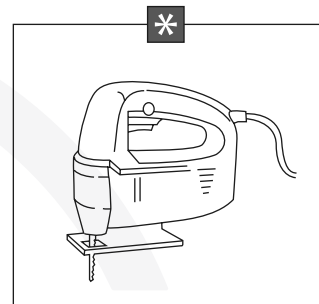


15

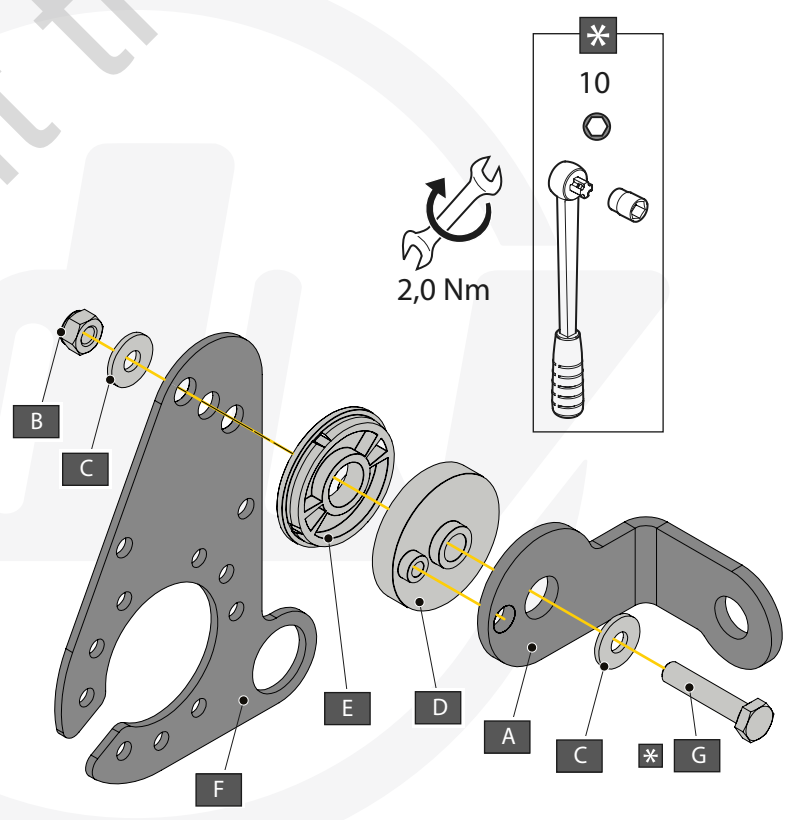


16

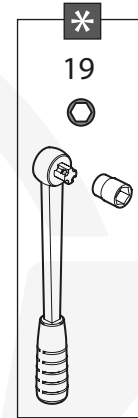
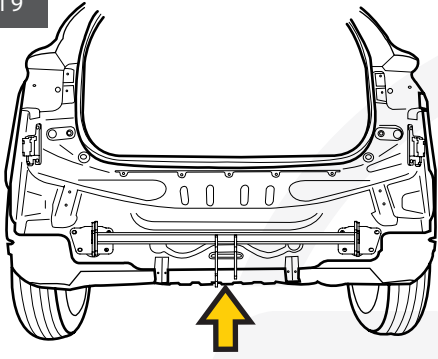




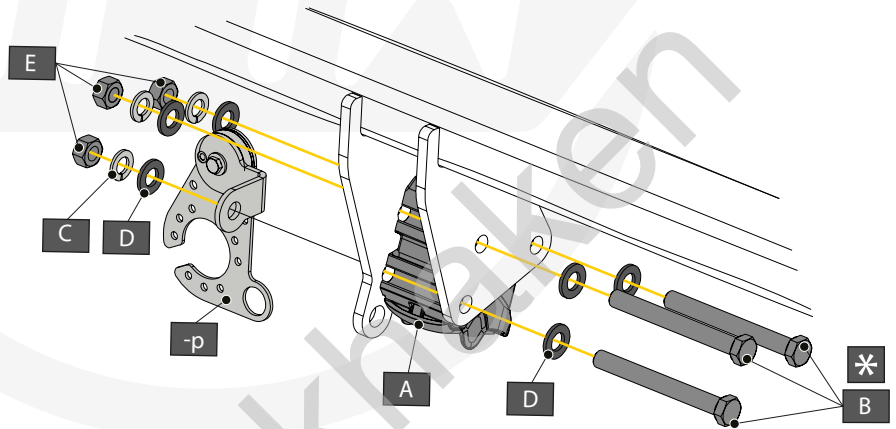
A		X1	GDW REF. 908.095
B		X1	DIN985-M6
C		X2	6,2 X 15,4 X 1,6 (NYLON)
D		X1	GDW REF. 718.16.002
E		X1	GDW REF. 718.16.003
F		X1	GDW REF. 908.094
G		X1	DIN933-M6 X 30



19



A		X1	GDW REF. 912.003
B		X3	DIN931-M12X110-8.8
C		X3	DIN128A-M12
D		X6	DIN125A-M12
E		X3	DIN934-M12



20

