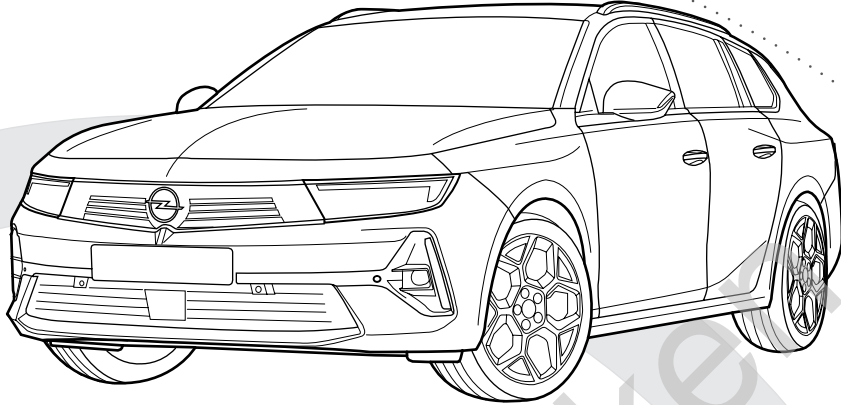


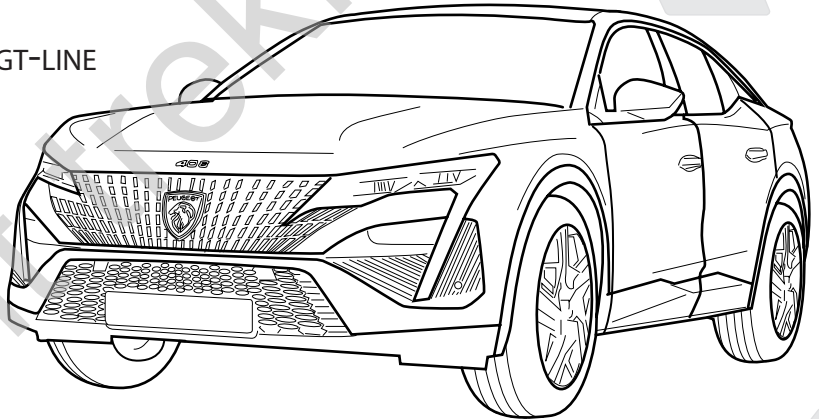


Opel Astra Sports Tourer (05) 03/'22-



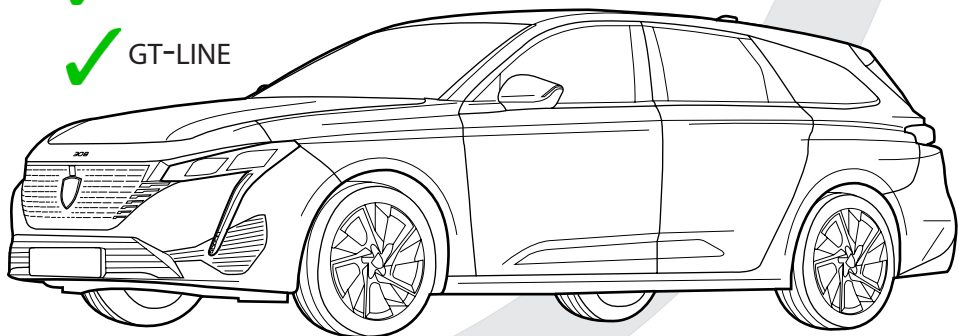
Peugeot 408 II (FP, F3) 07/'22-

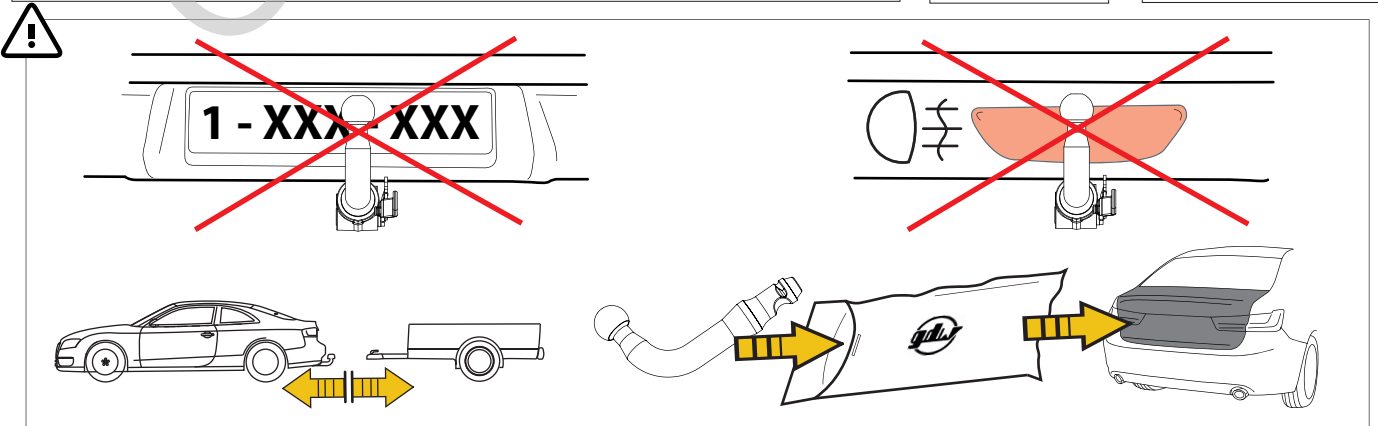
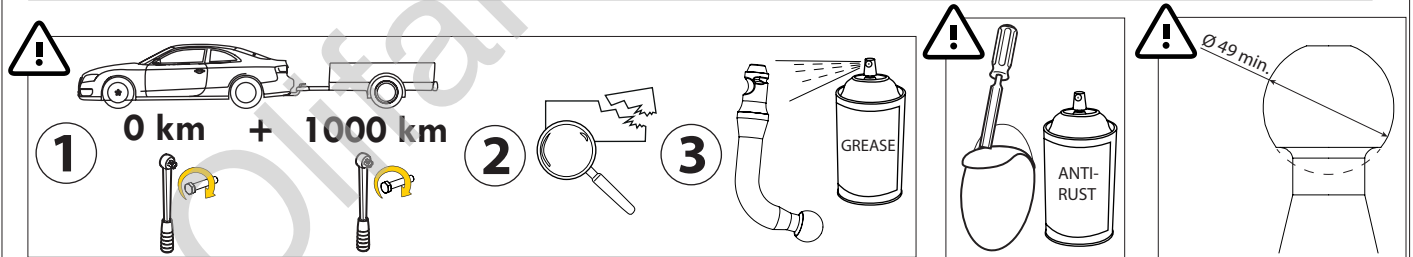
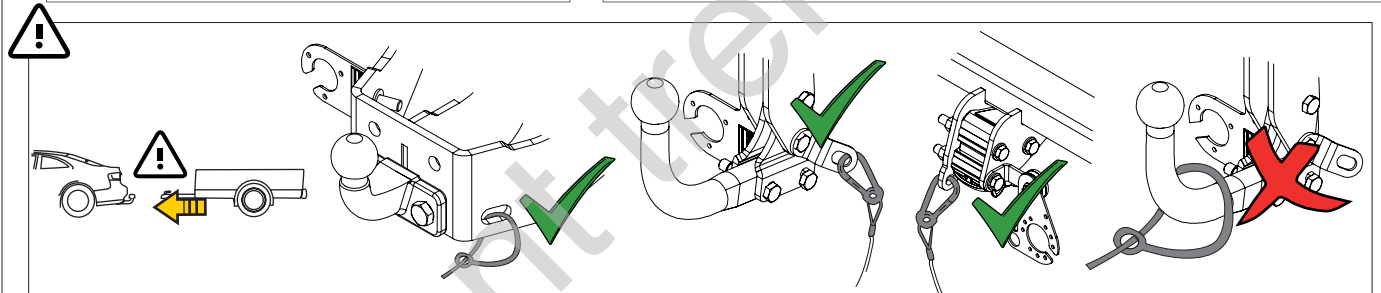
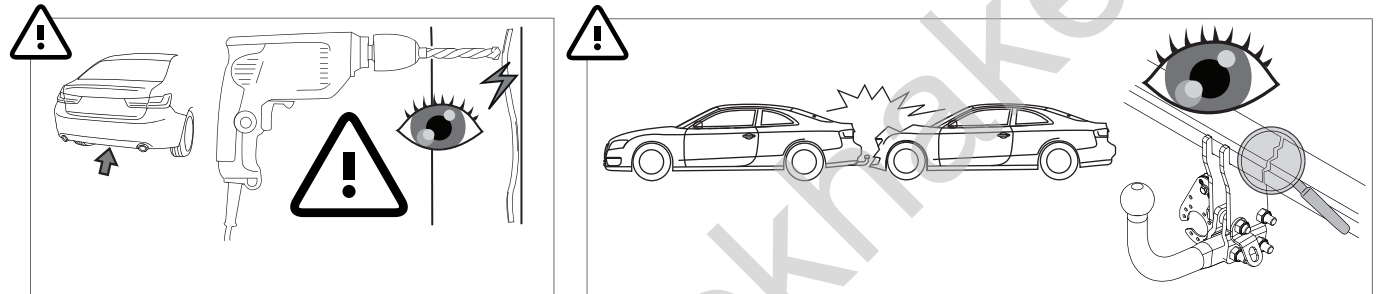
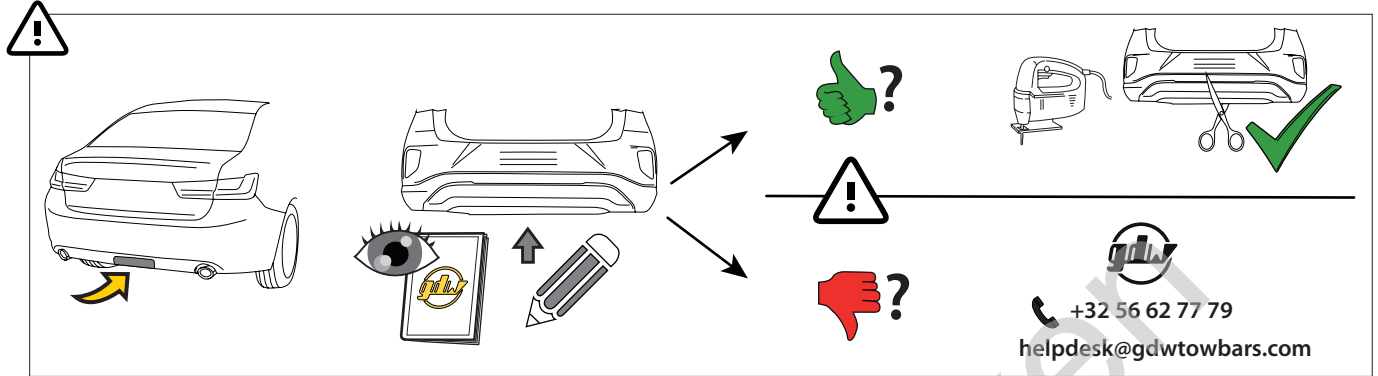
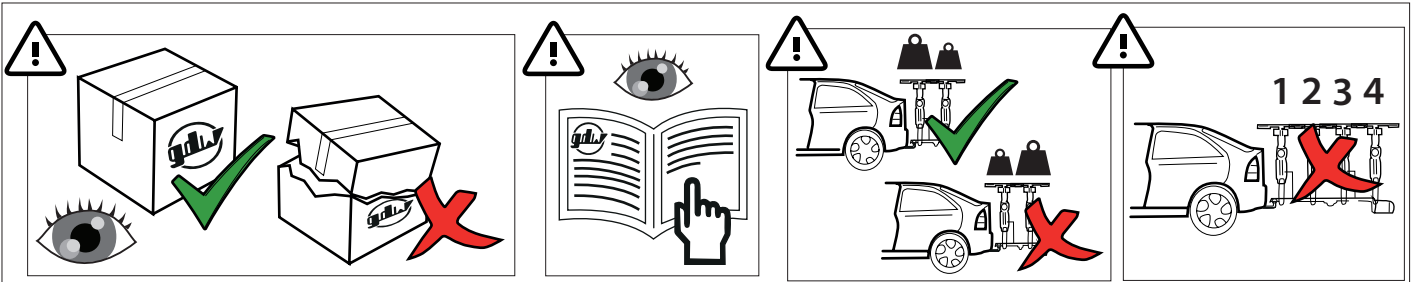
- ✓ STANDARD
- ✓ KICK SENSOR
- ✓ HYBRID
- ✓ GT-LINE



Peugeot 308 SW III (FC, FJ, FR, F4) 07/'21-

- ✓ STANDARD
- ✓ KICK SENSOR
- ✓ HYBRID
- ✓ GT-LINE





MADE BY



D 9,50

F

E6

BELGIUM

S 100

EC-N°

55R-02 1793

REF N°

2695T60

SERIAL N°

XXXX

DESCRIPTION

Peugeot 408 '22- & Peugeot 308 SW '21- & Opel Astra Sports Tourer '22-



$$D = \frac{\text{max kg (car)} \times \text{max kg (trailer)}}{\text{max kg (car)} + \text{max kg (trailer)}} \times 0.00981 \leq 9,50 \text{ kN}$$

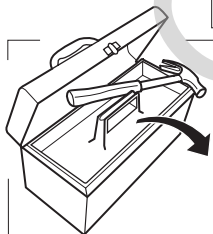
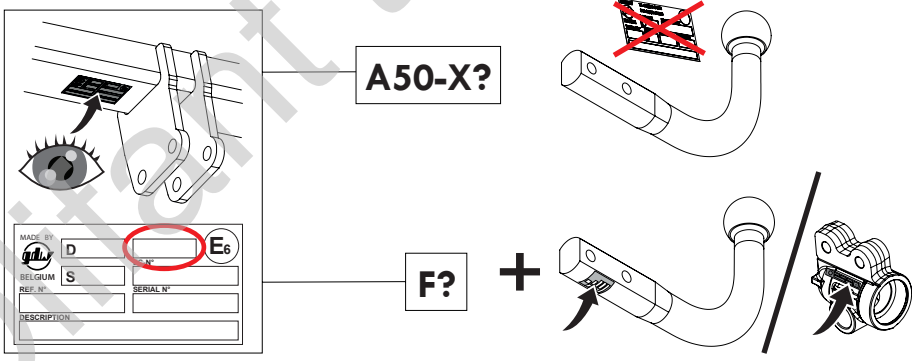
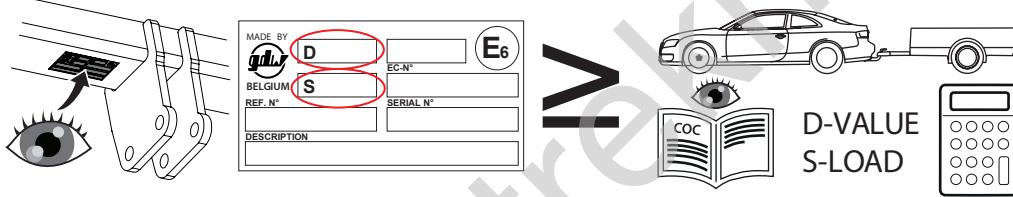
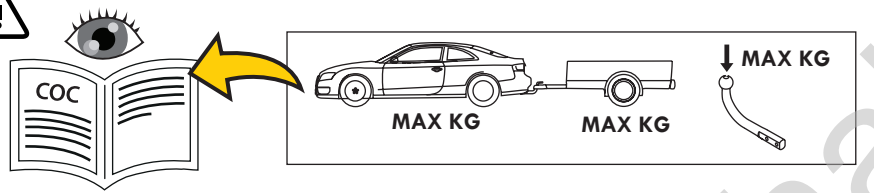
$$S = \begin{cases} \leq 100 \text{ kg} \\ \leq 1700 \text{ kg} \end{cases}$$



See the Certificate Of Conformity (COC) of your vehicle or contact your dealer to verify the max. trailer weight of your car!



See the user manual of the vehicle for correct use of bicycle carriers!



10

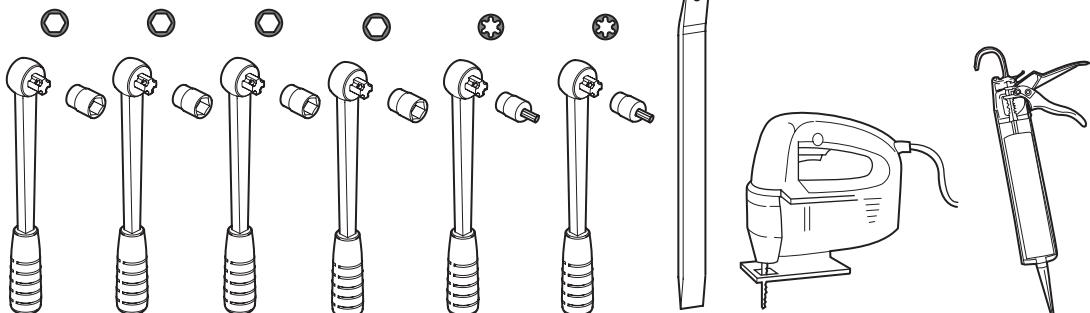
12

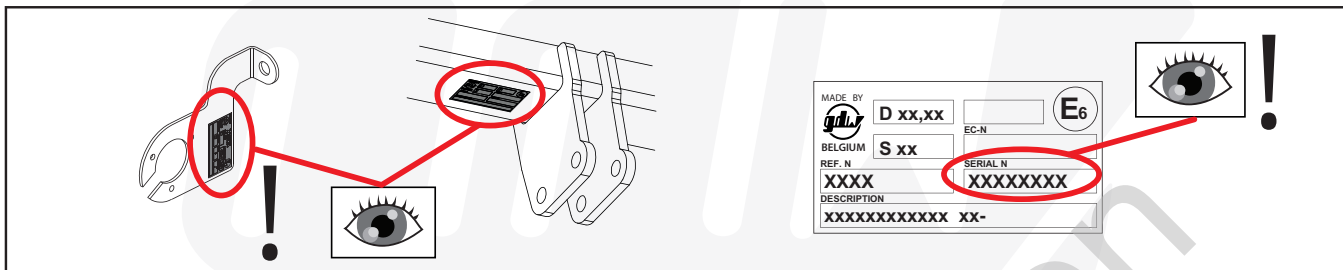
13

19

TX25

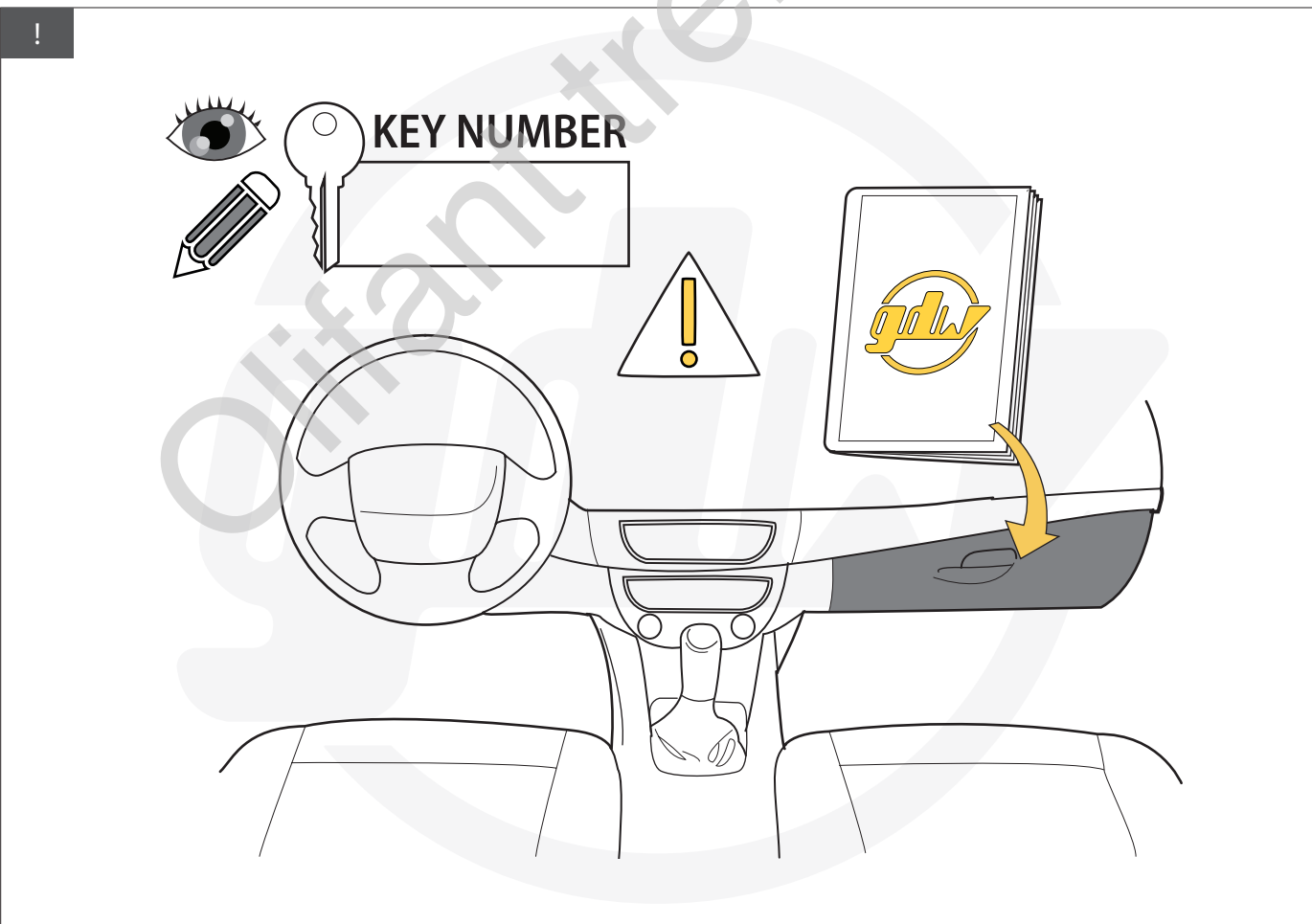
TX20

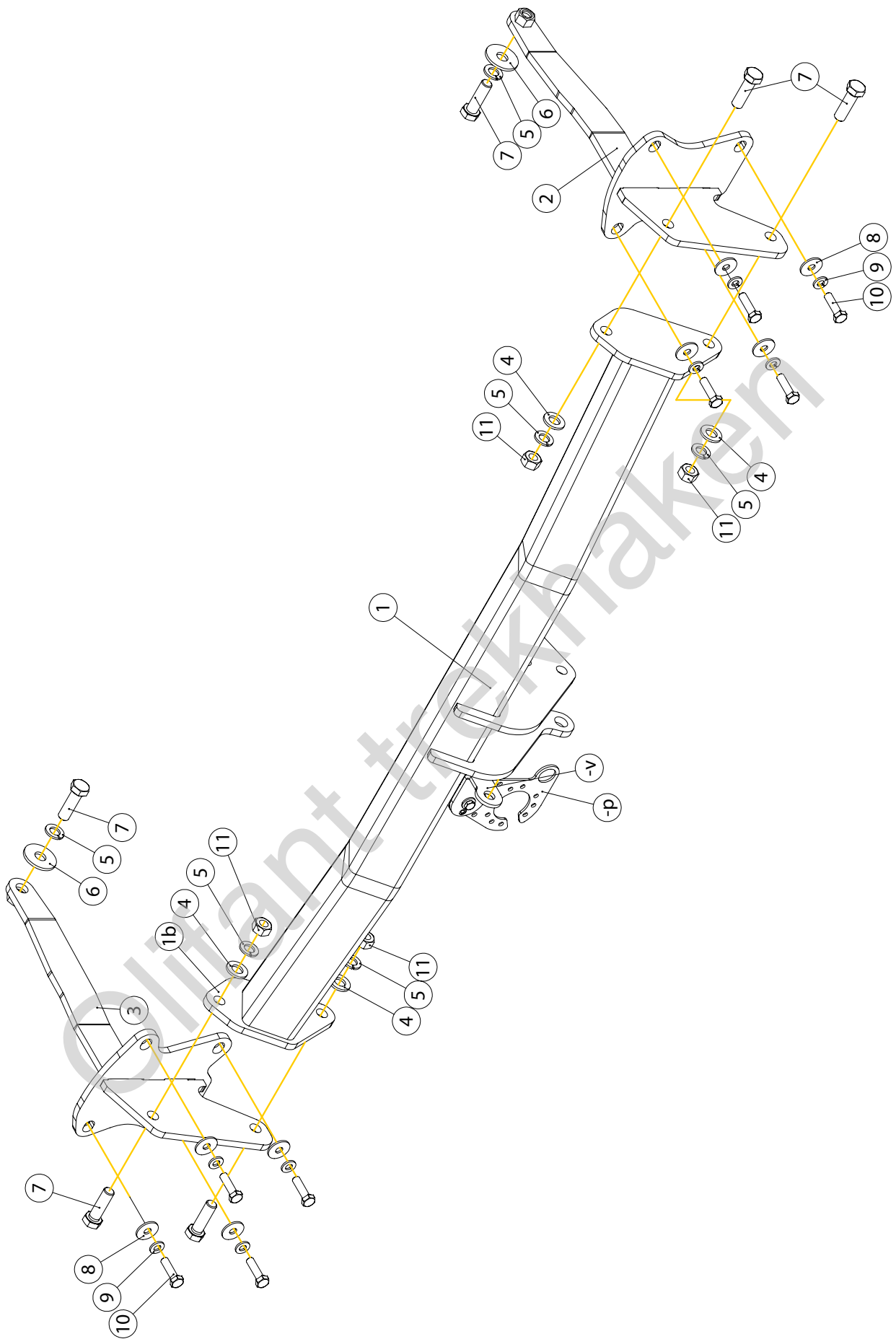


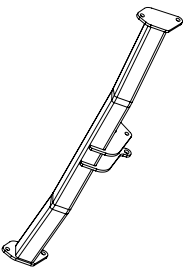
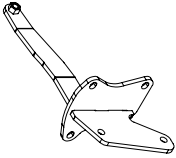
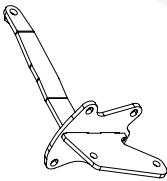


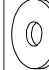

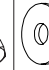






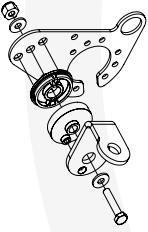




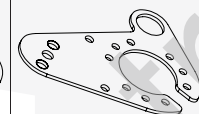

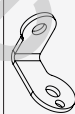
helpdesk@gdwtowbars.com
+32 56 62 77 79

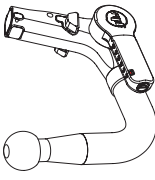
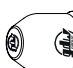
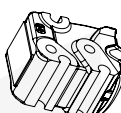




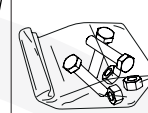



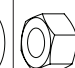
Monday	08:00 - 12:00	12:30 - 16:30
Tuesday	08:00 - 12:00	12:30 - 16:30
Wednesday	08:00 - 12:00	12:30 - 16:30
Thursday	08:00 - 12:00	12:30 - 16:30
Friday	08:00 - 12:00	12:30 - 15:30



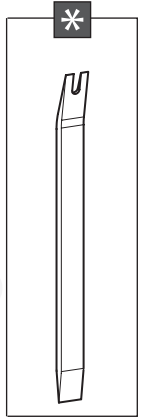
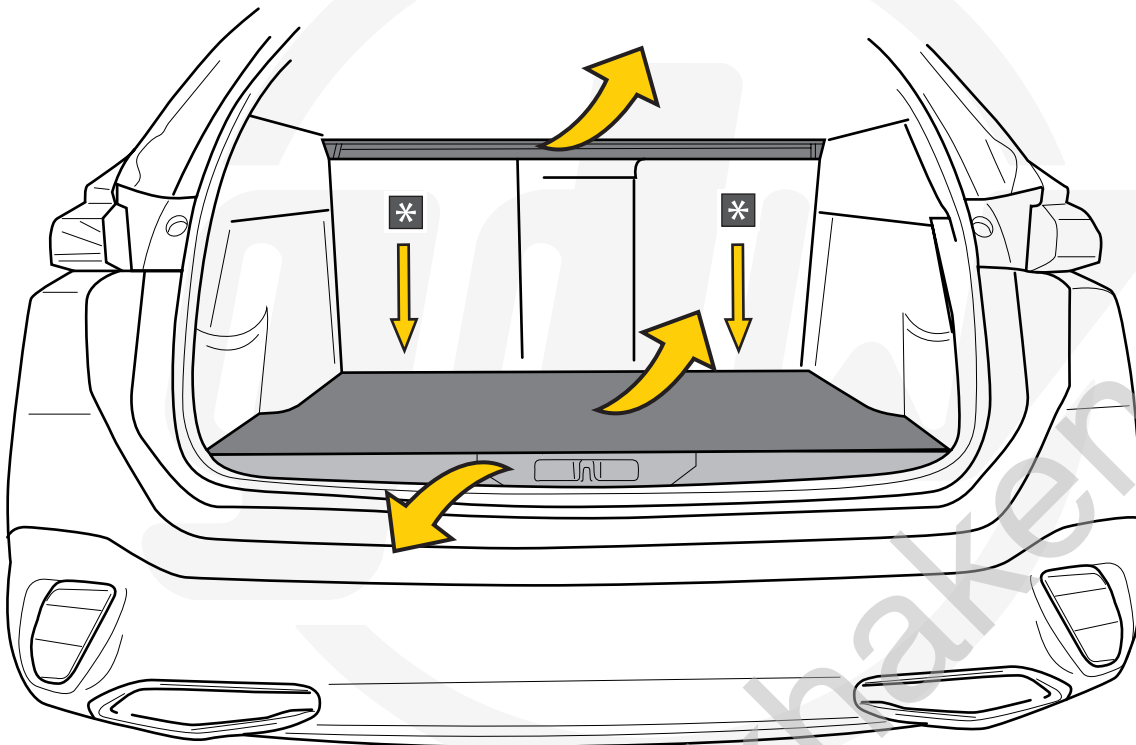


1		X1	GDW REF. 2695T60
2		X1	GDW REF. 2
3		X1	GDW REF. 3
4		X4	DIN125-A12-140HV-ELVZ
5		X6	DIN128A-M12
6		X2	DIN9021-M12-ELVZ
7		X6	DIN933-M12X40
8		X8	DIN9021-M8-ELVZ
9		X8	DIN128A-M8
10		X8	DIN933-M8X30
11		X4	DIN934-M12
-V		X1	GDW REF. 908.096

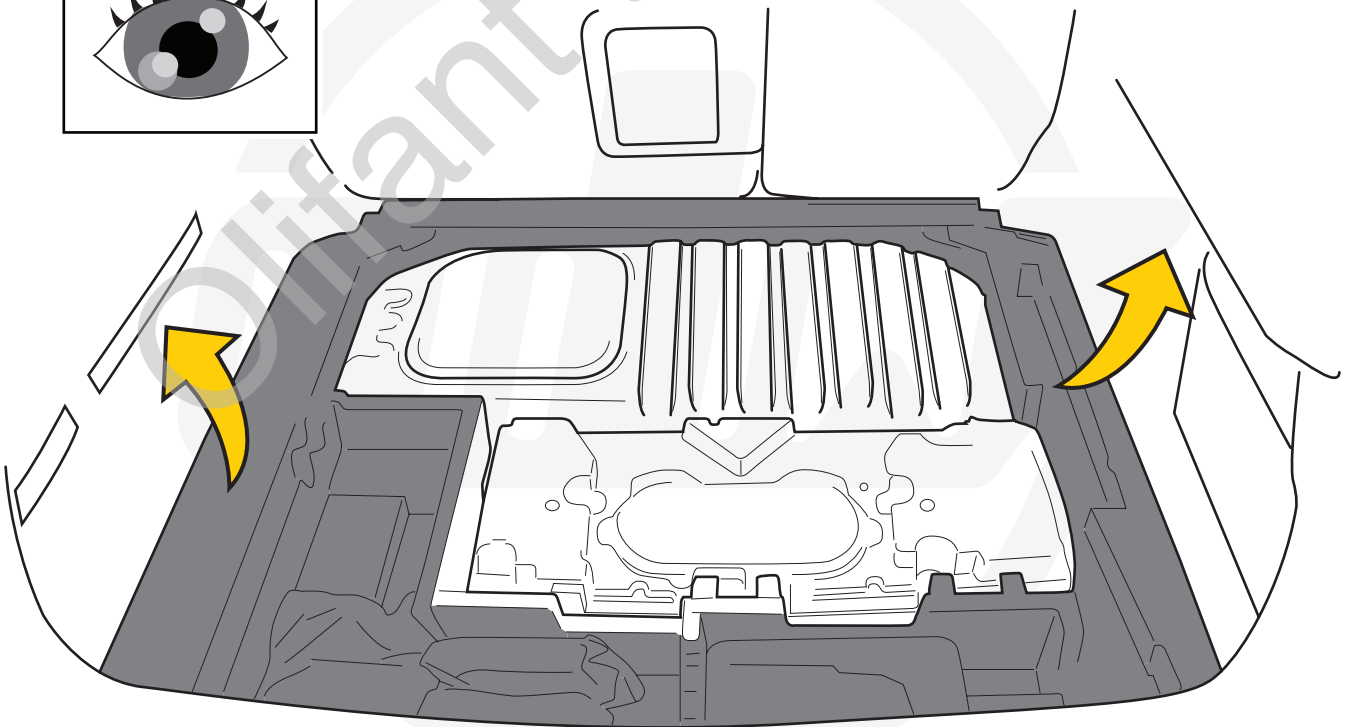
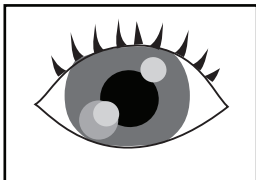
-P		X1	GDW REF. P40
↑		X1	DIN985-M6
↑		X2	6,2 X 15,4 X 1,6 (NYLON)
↑		X1	GDW REF. 718.16.002
↑		X1	GDW REF. 718.16.003
↑		X1	GDW REF. 908.094
↑		X1	DIN933-M6 X 30
↑		X1	GDW REF. 908.096

Geleverd met - Livré avec - Delivered with Geliefert mit - Elementos adjuntos-Leveres med		X1	GDW REF. 960.V1210
	↑ 	X1	GDW REF. 740.200
		X1	GDW REF. 912.003
	↑ 	X1	GDW REF. 740.112
	↑ 	X1	GDW REF. 740.111
		X1	GDW REF. 740.12X X=LAST NUMBER ON KEY
		X1	GDW REF. 718.15.001
		X1	GDW REF. SYST60-10
	↑ 	X3	DIN931-M12X110-8.8
	↑ 	X3	DIN128A-M12
	↑ 	X6	DIN125A-M12
	↑ 	X3	DIN934-M12

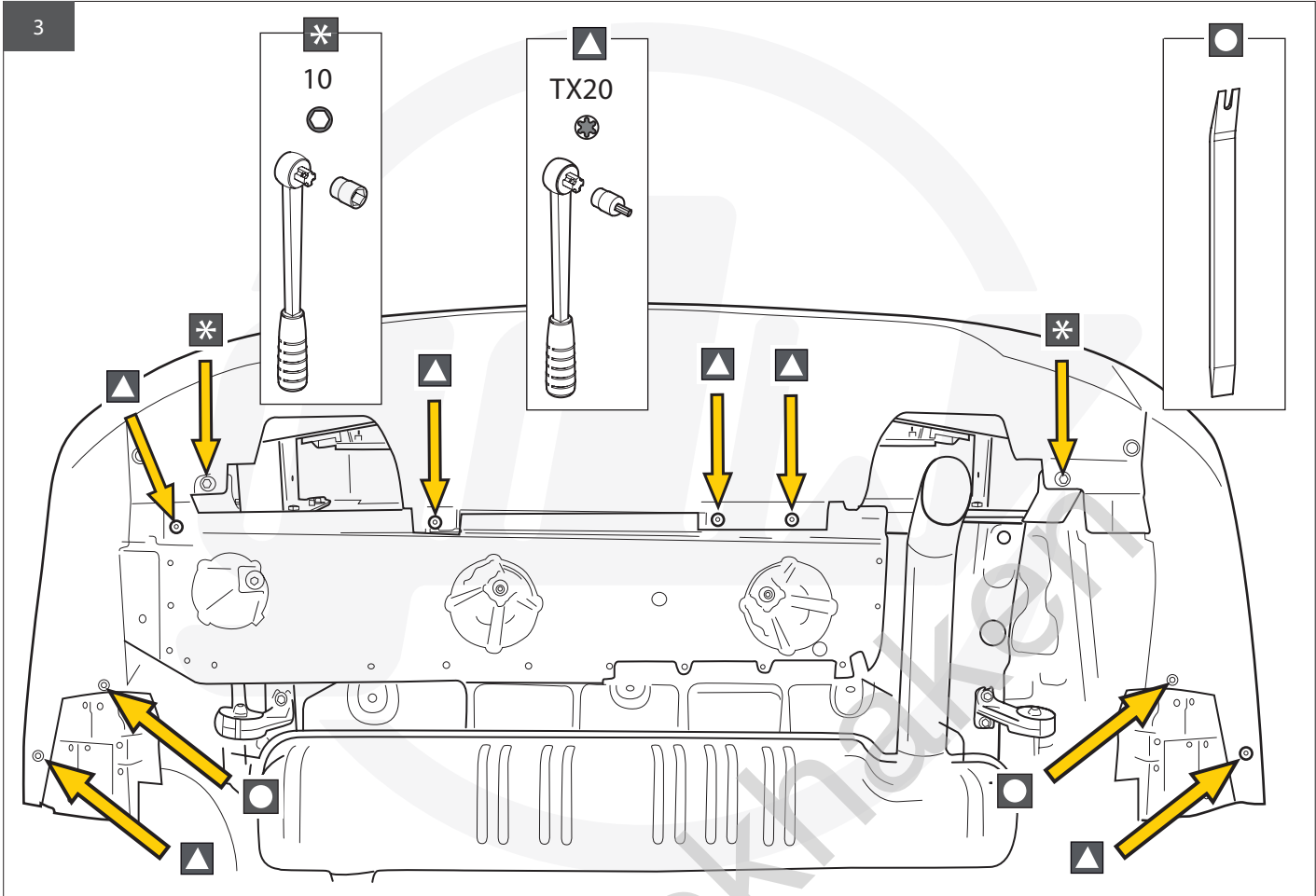
1



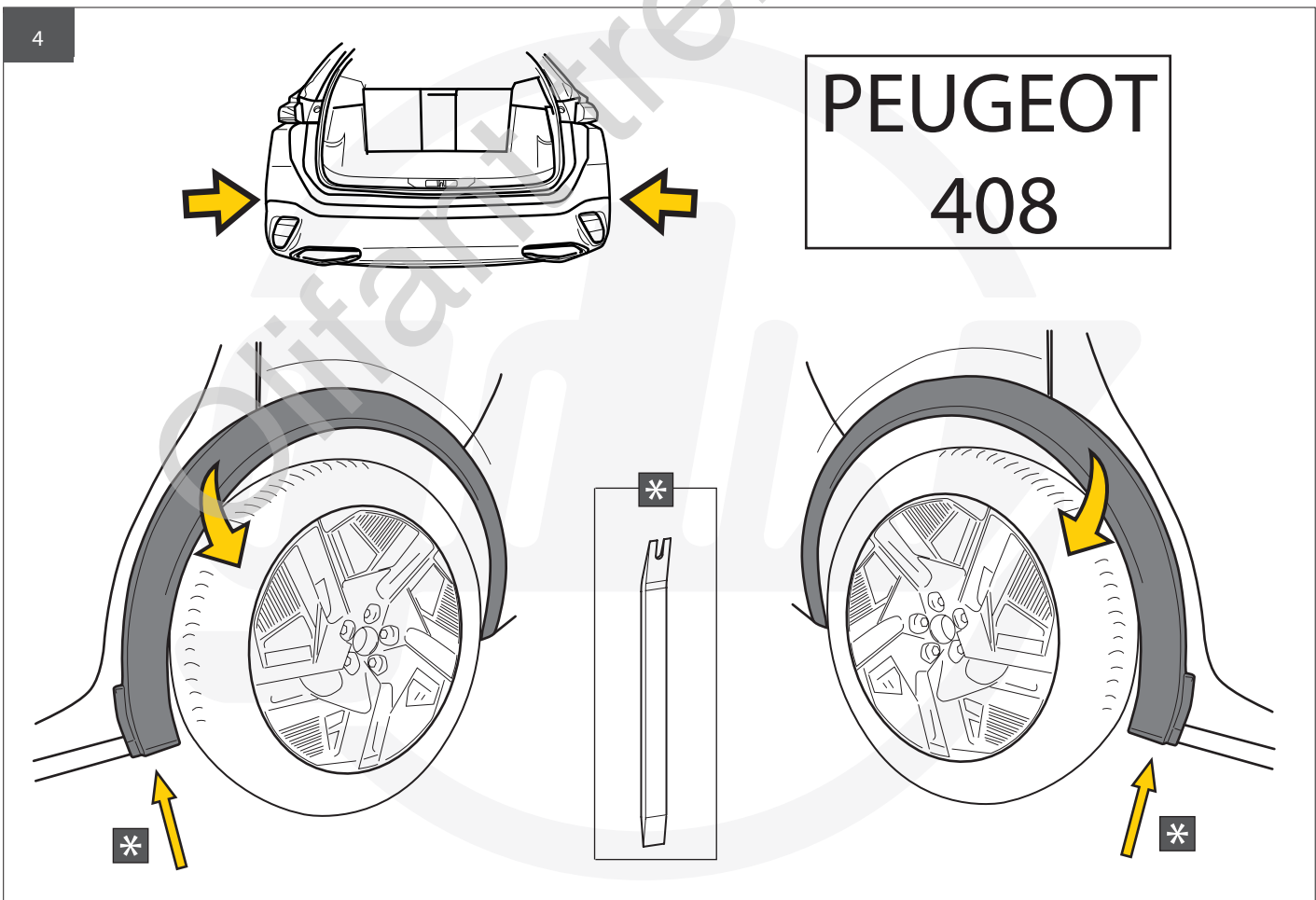
2

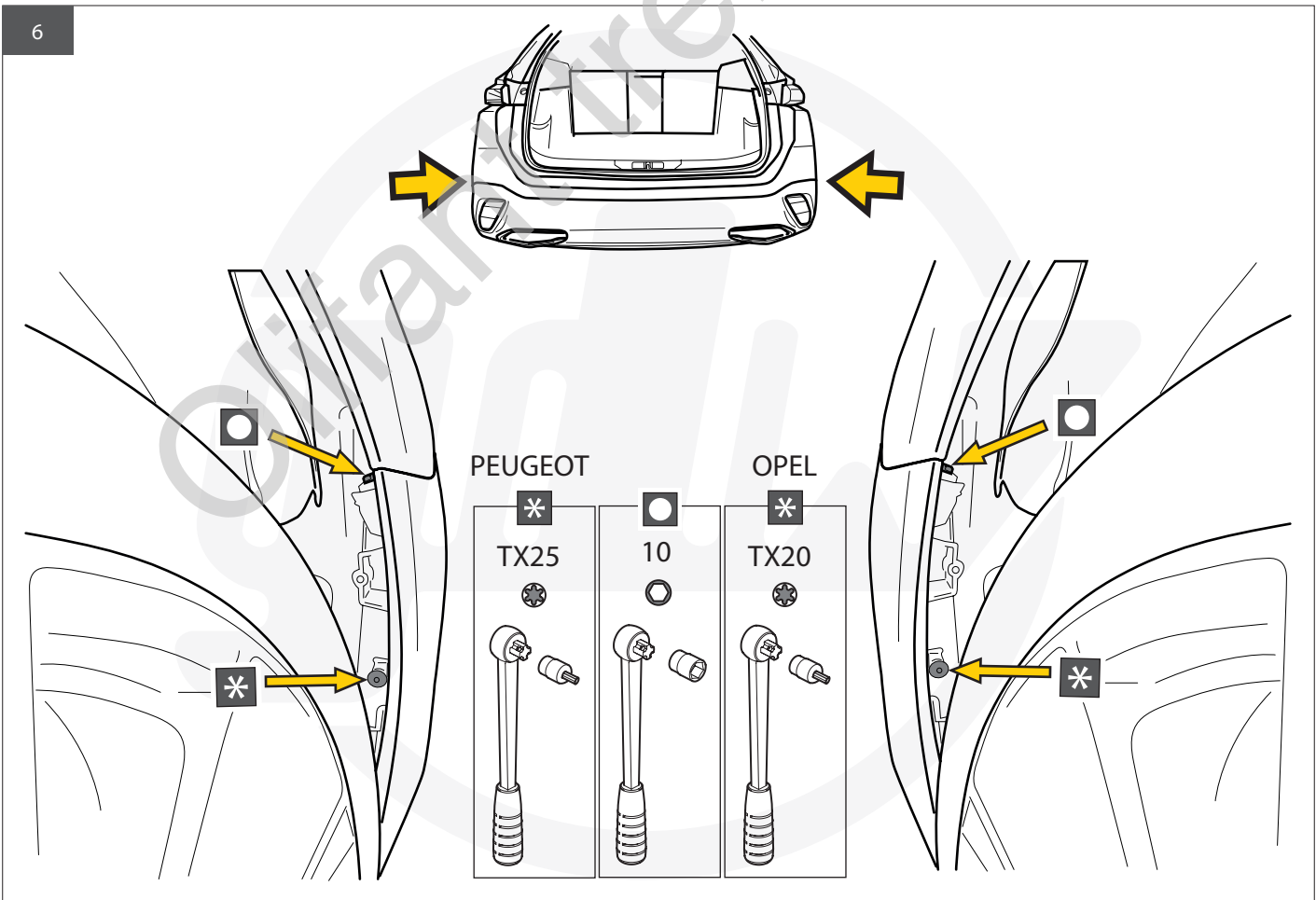
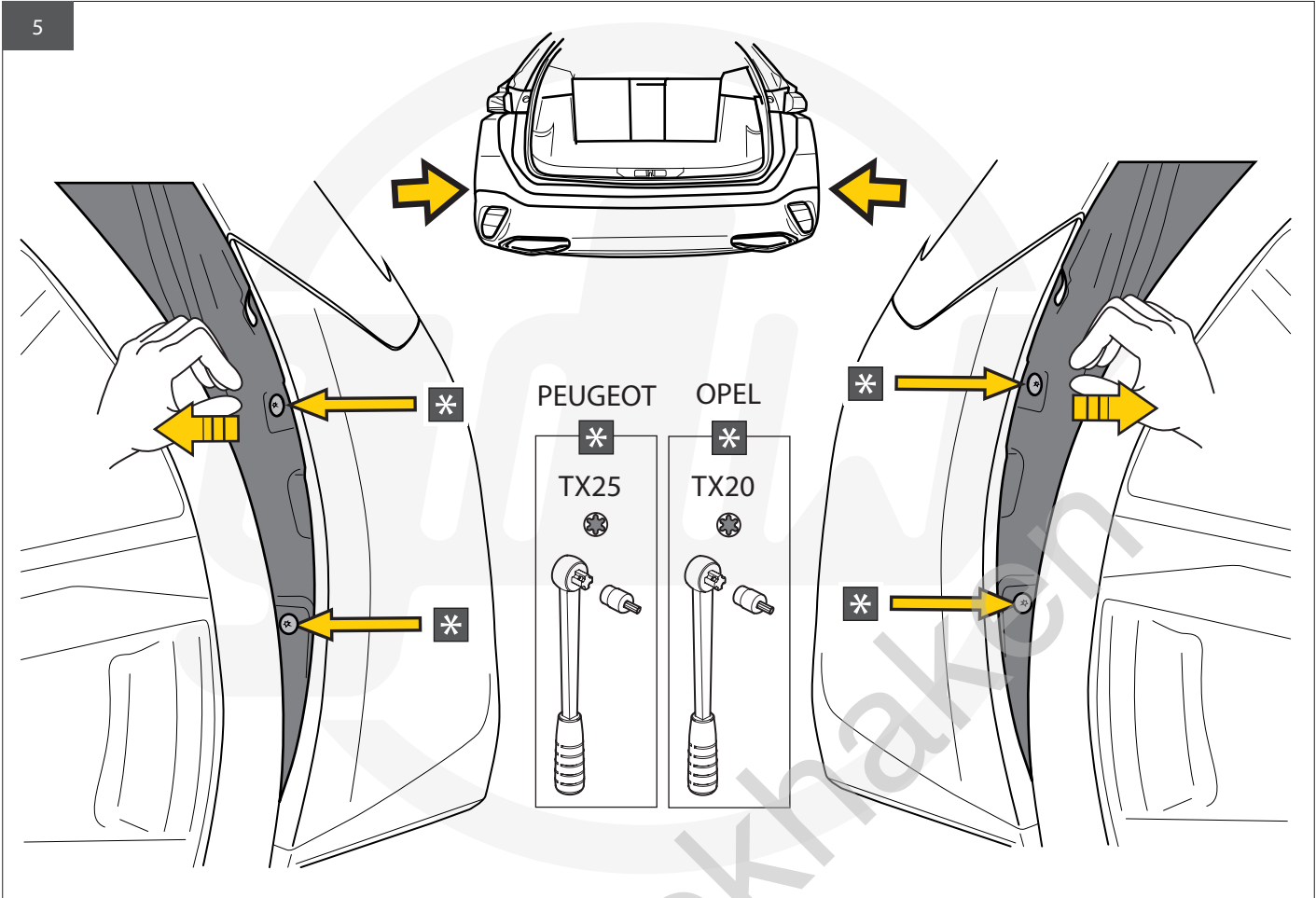


3

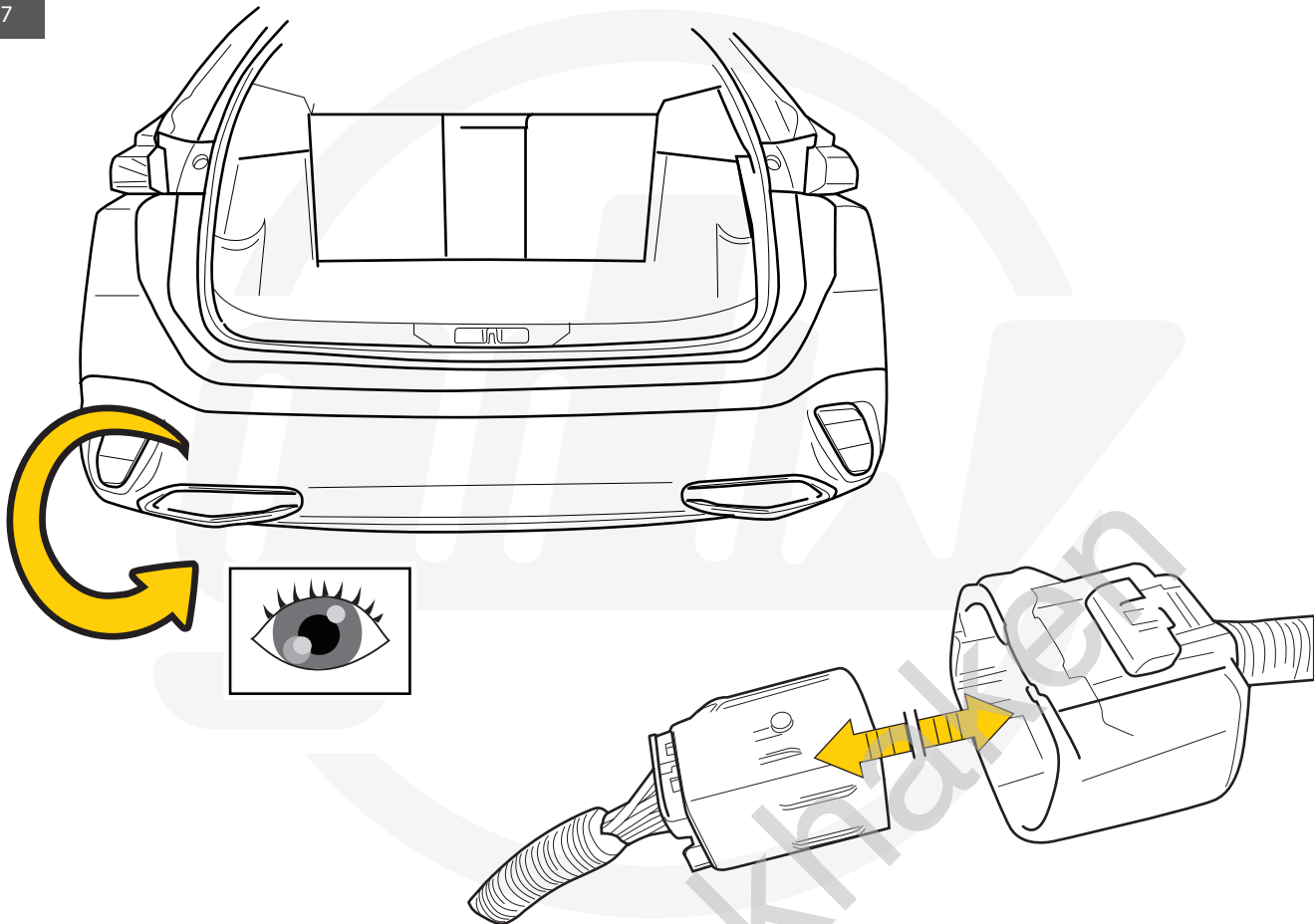


4

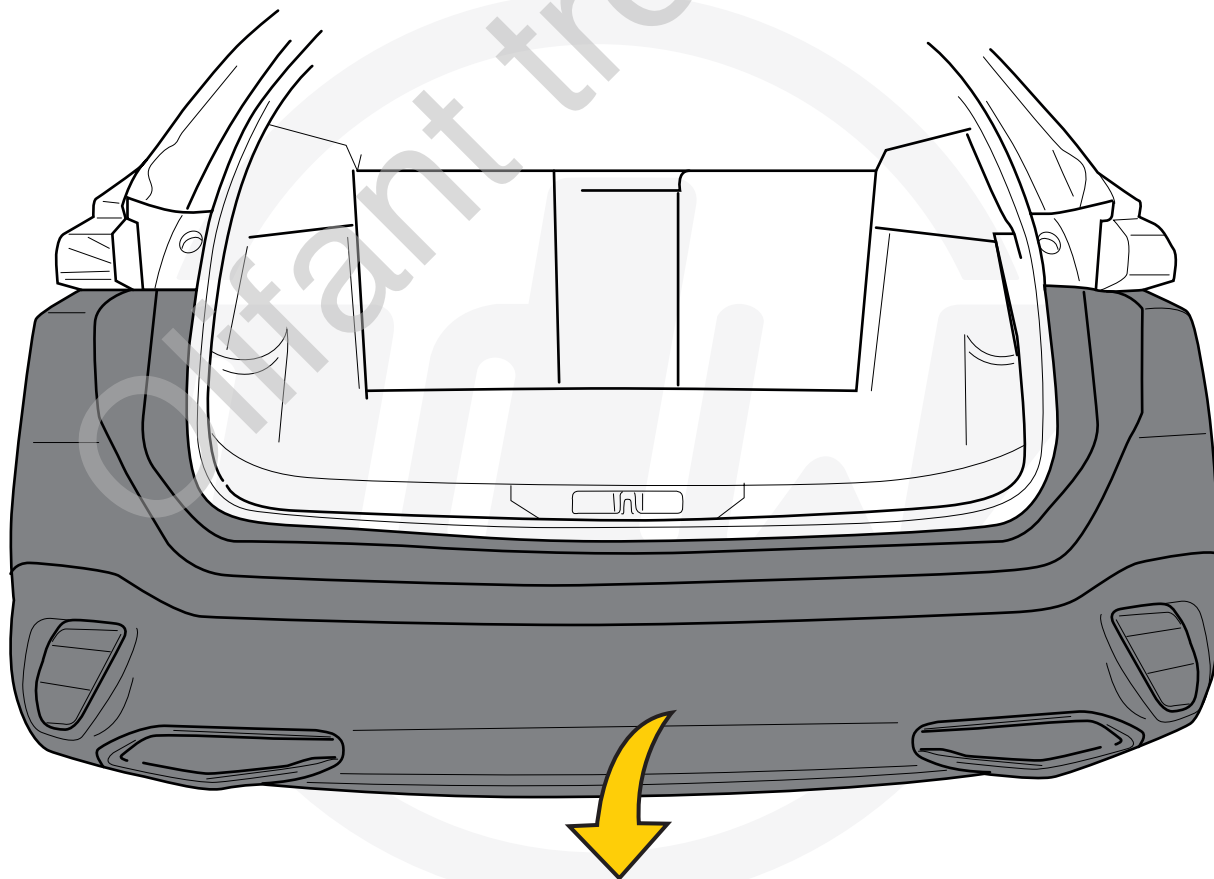


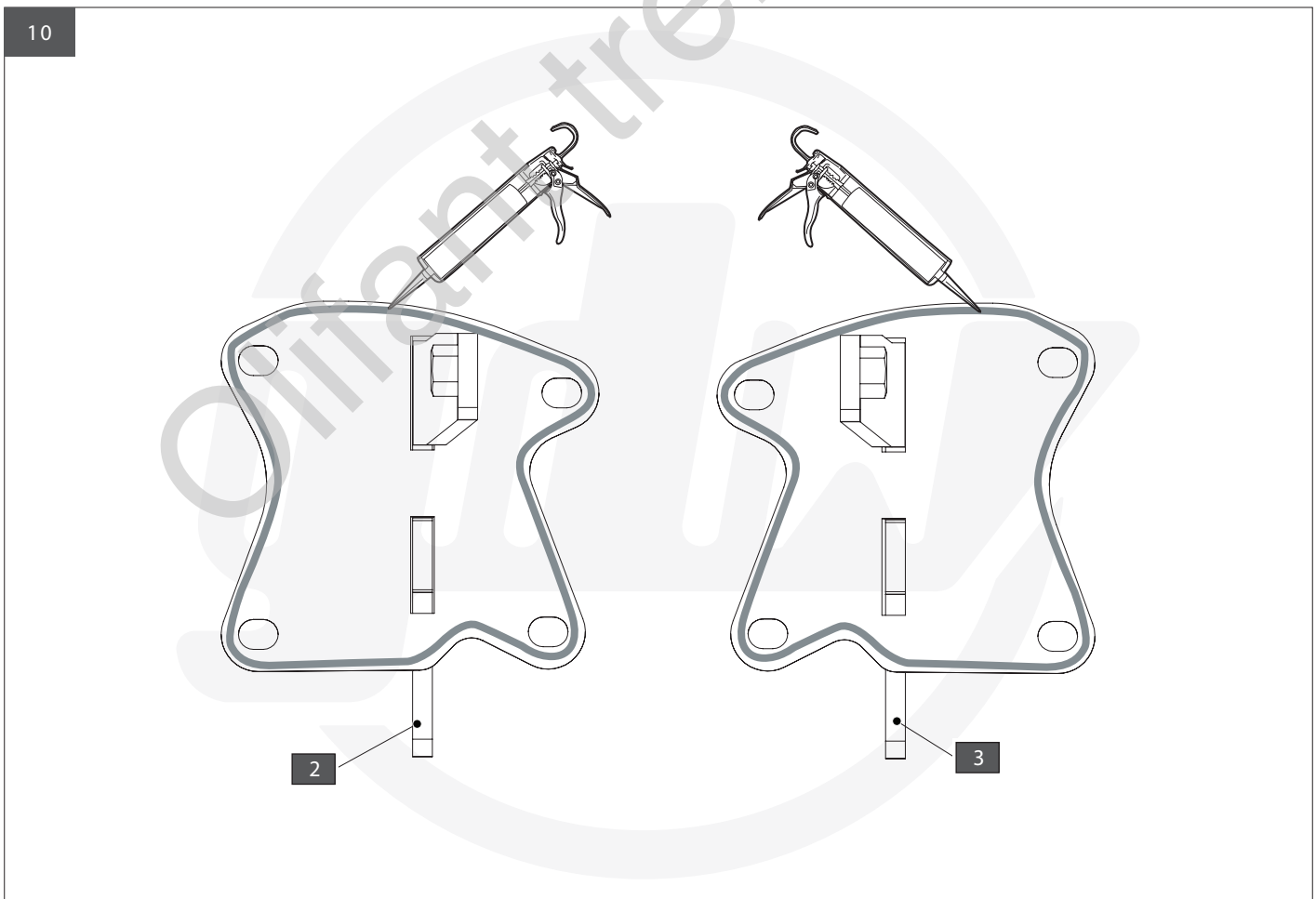
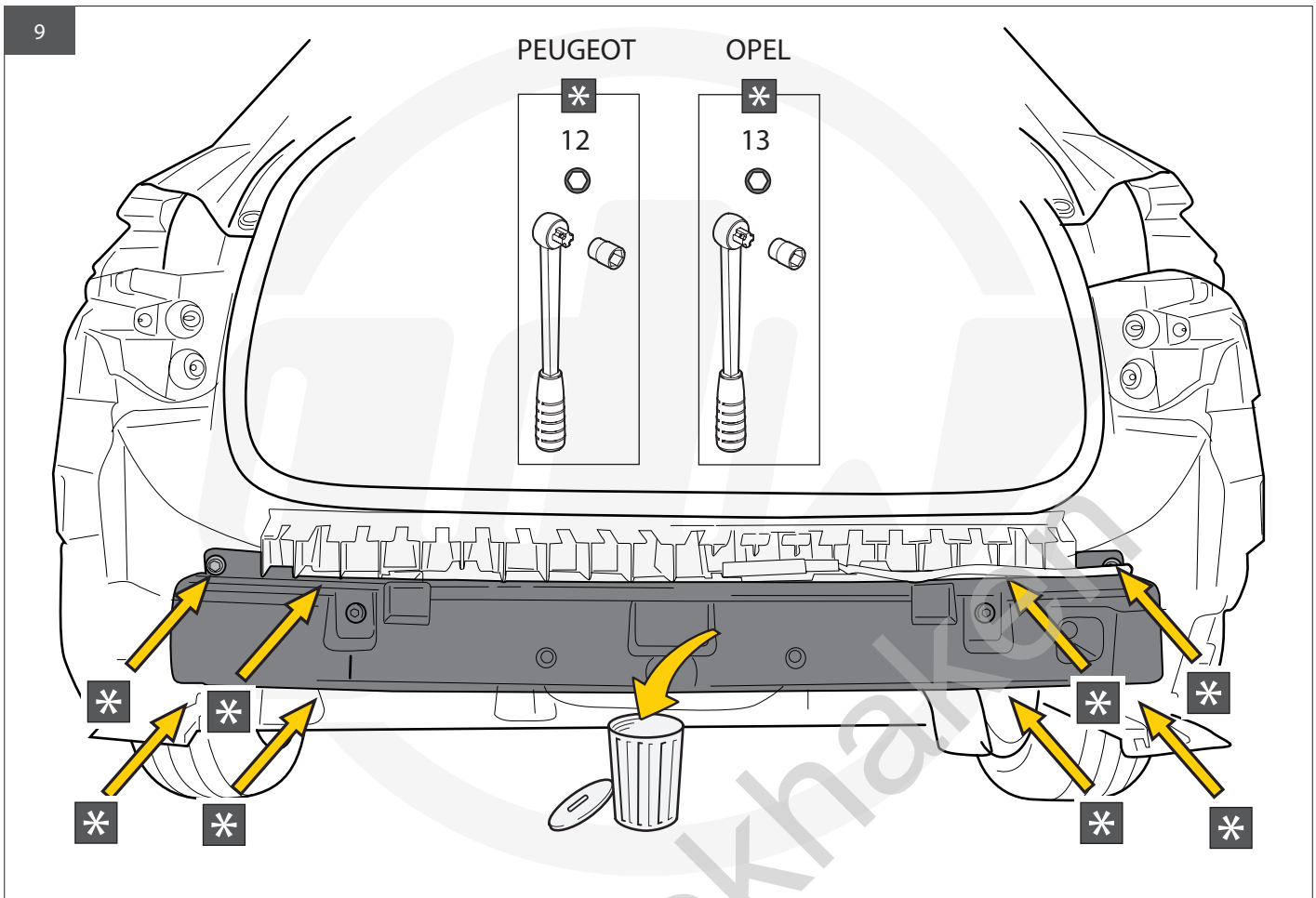


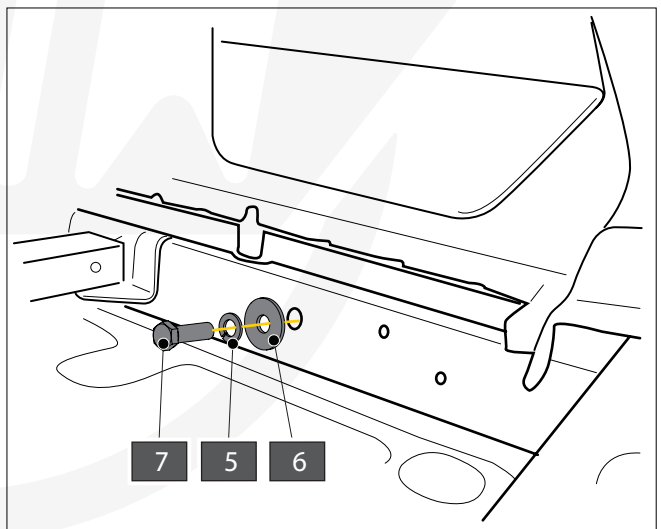
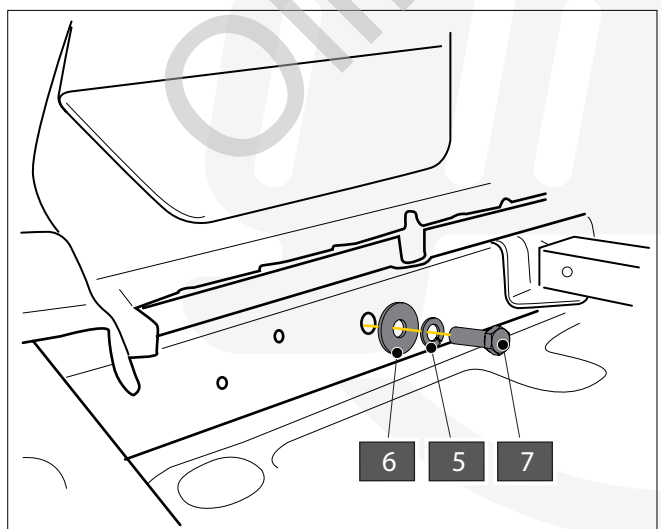
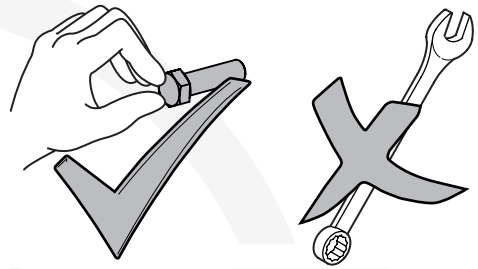
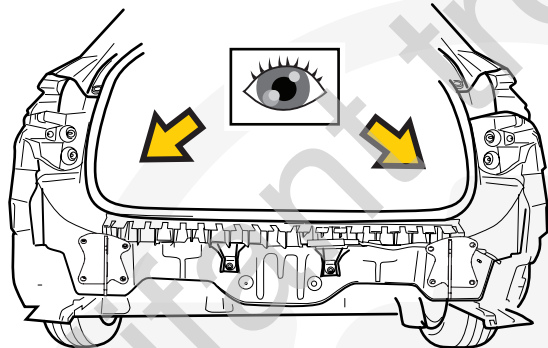
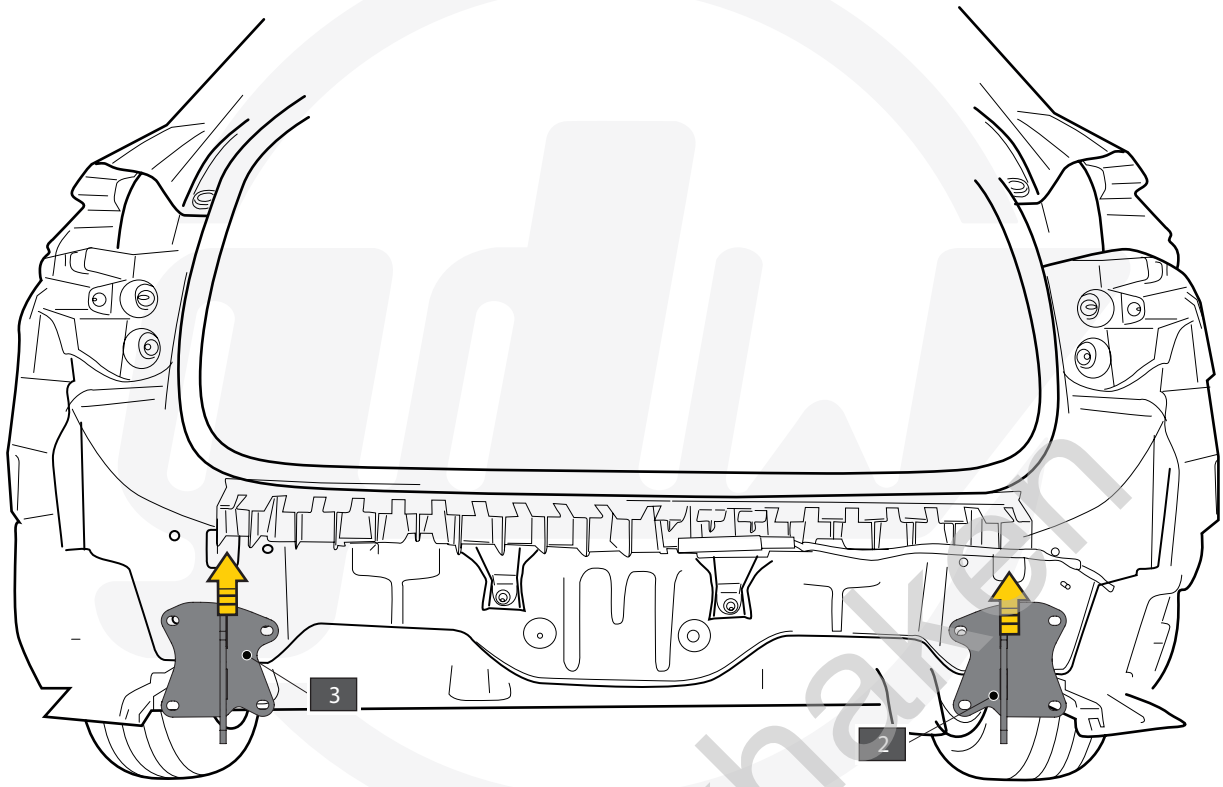
7

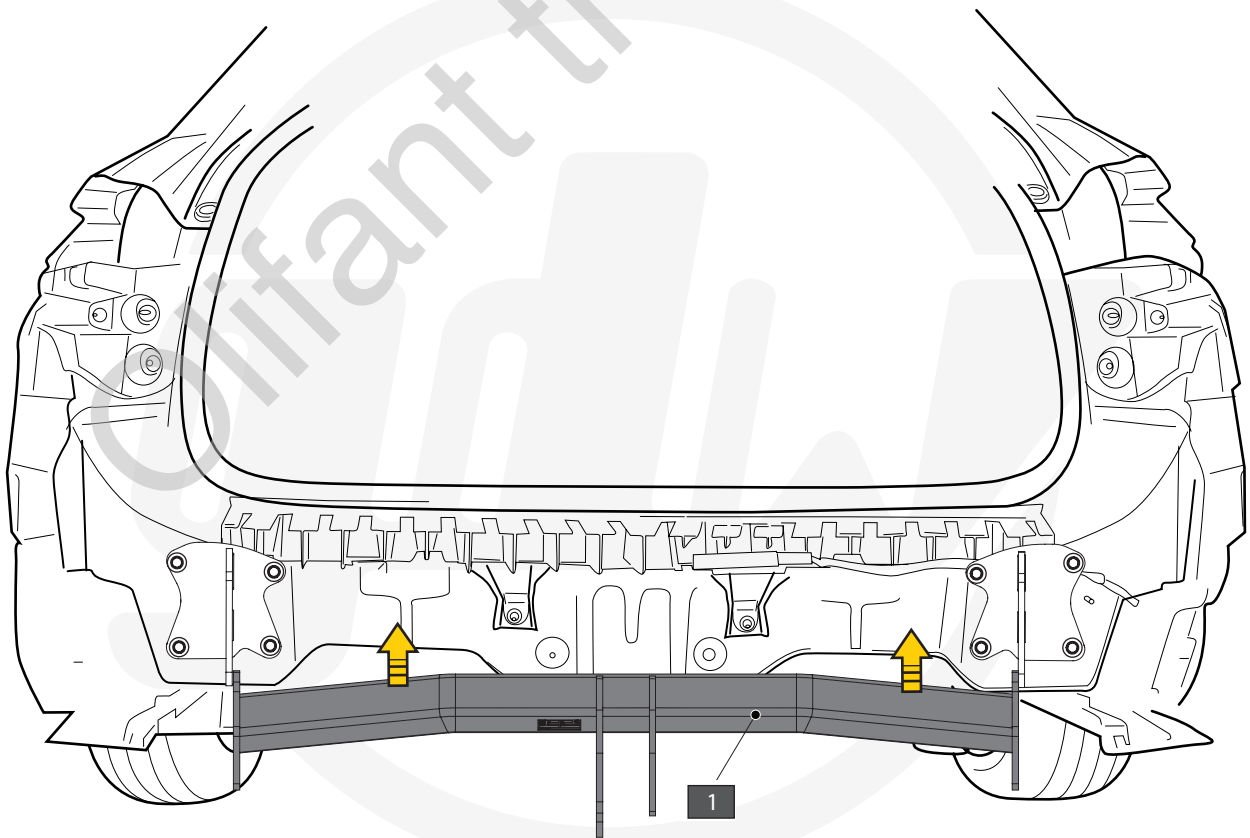
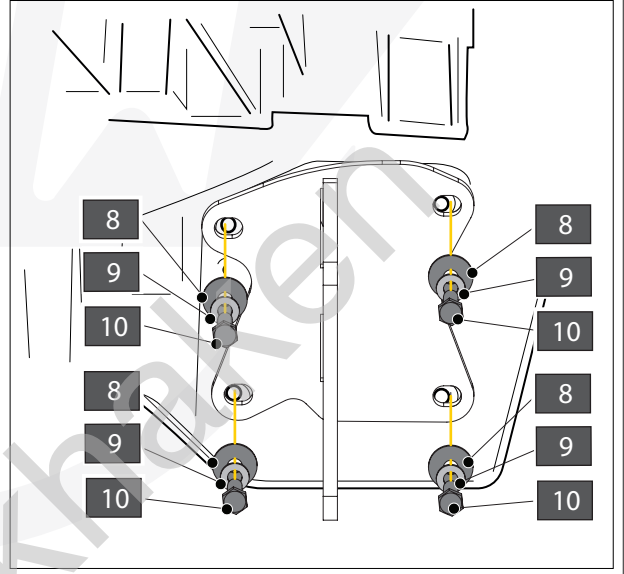
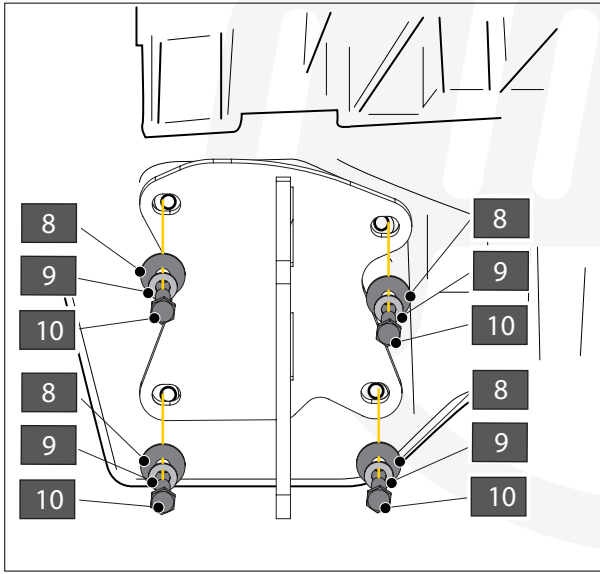
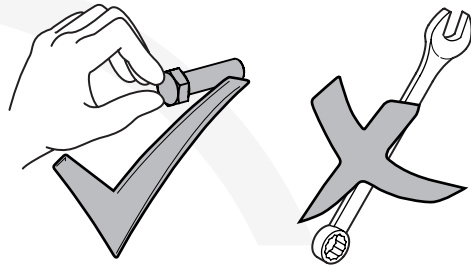
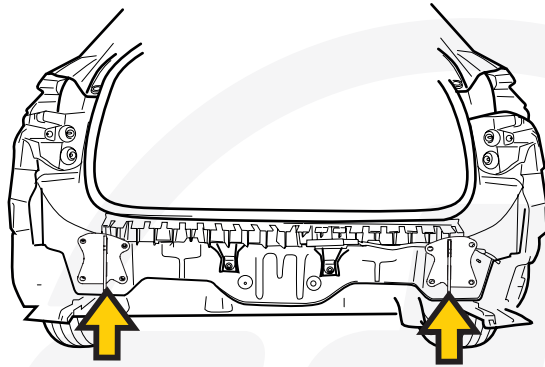


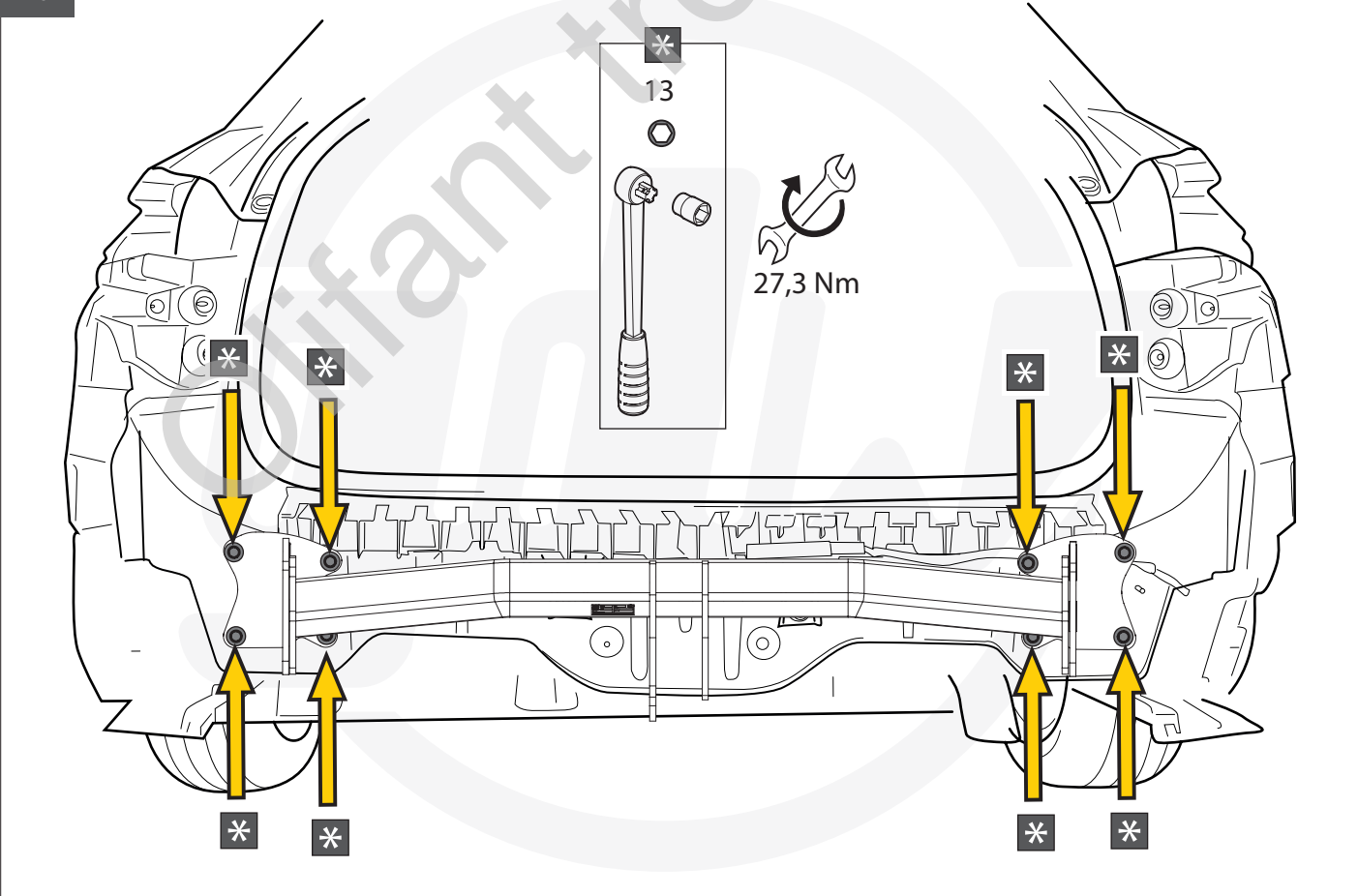
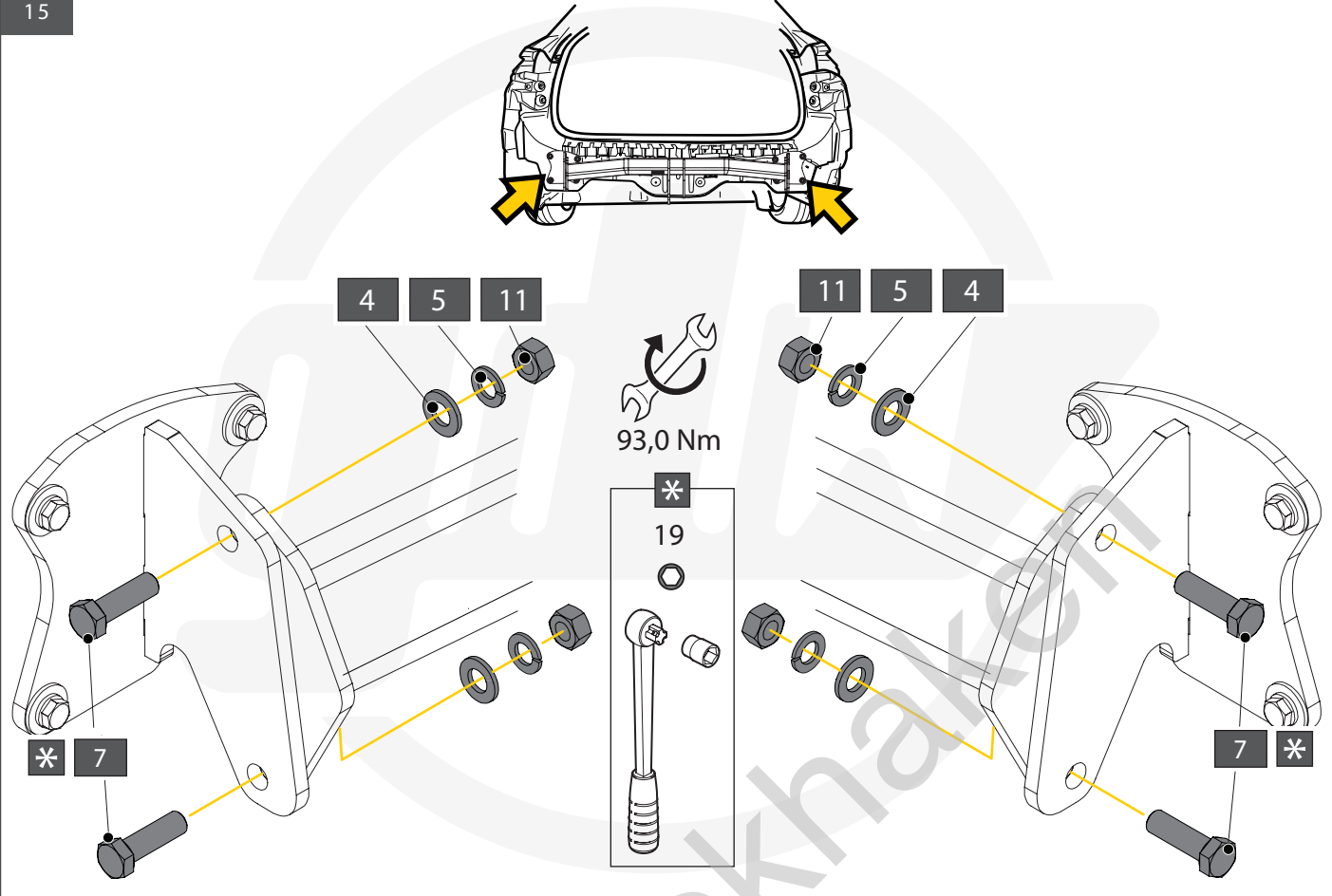
8

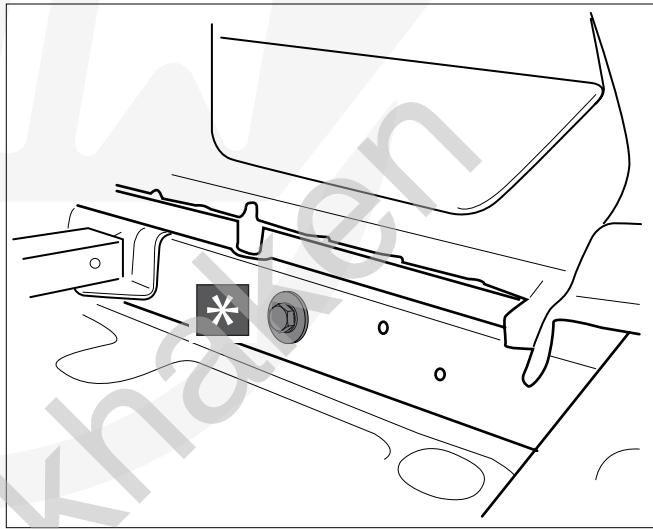
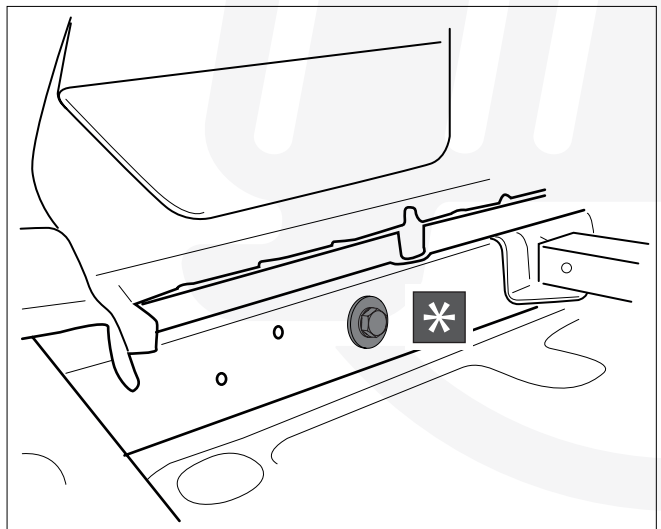
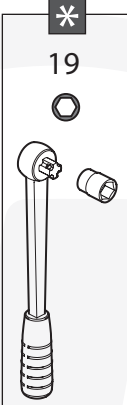
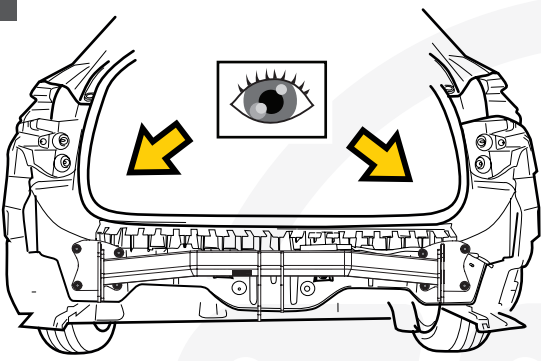




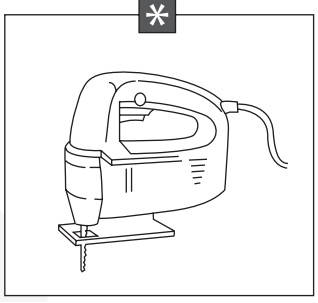




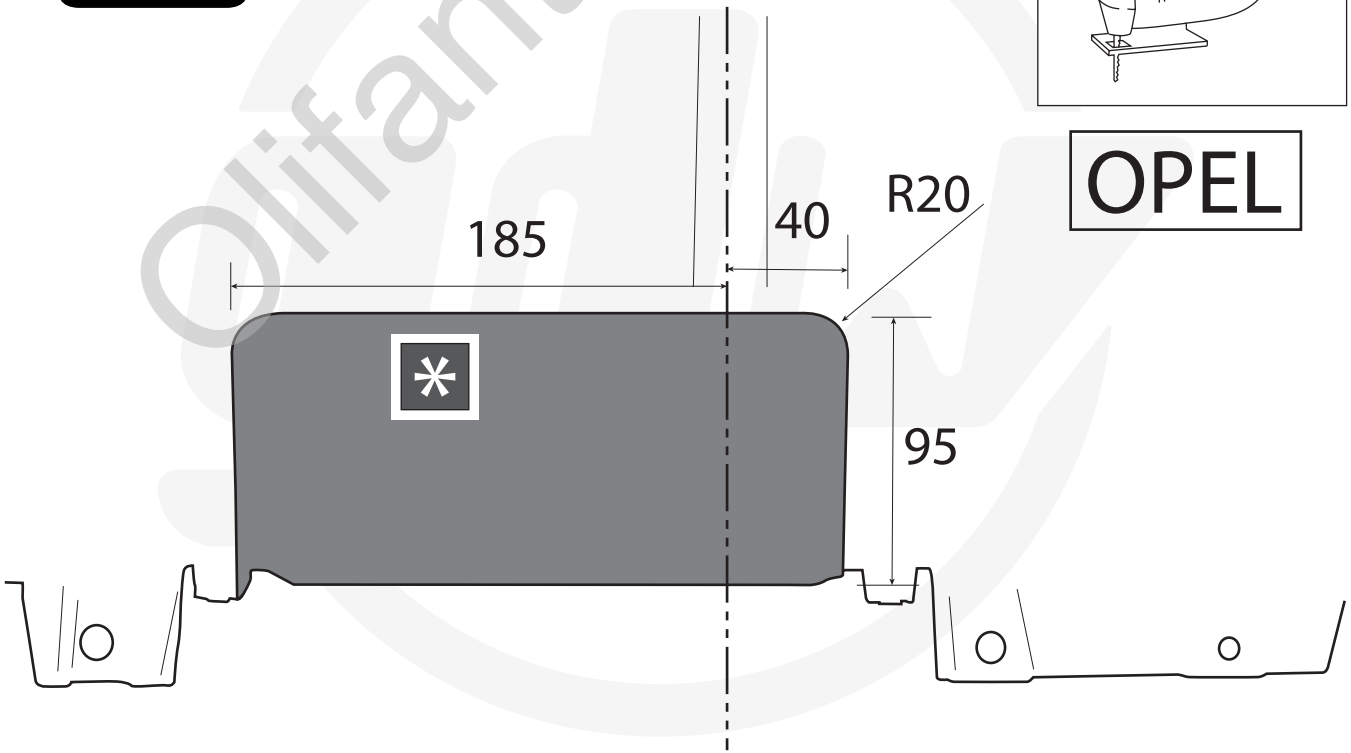




**KICK
SENSOR**



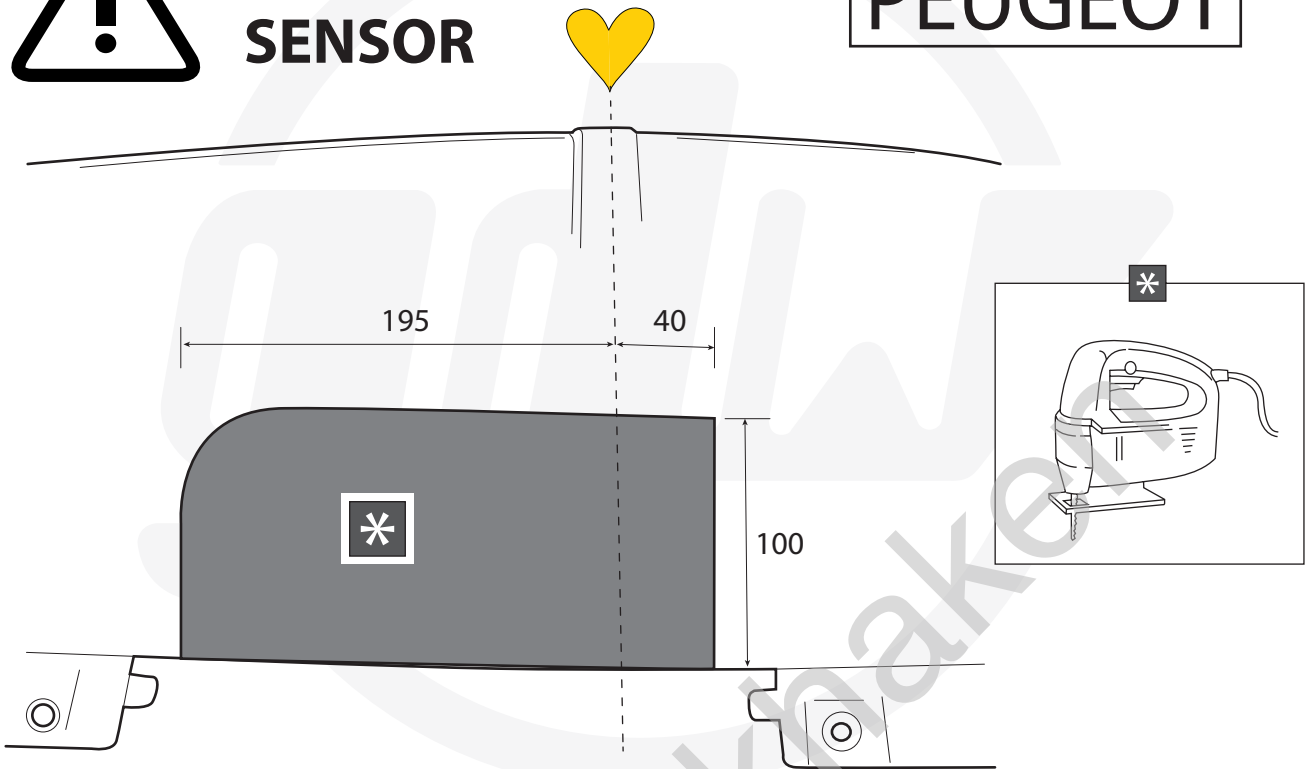
OPEL





KICK SENSOR

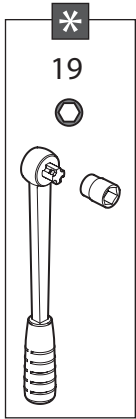
PEUGEOT



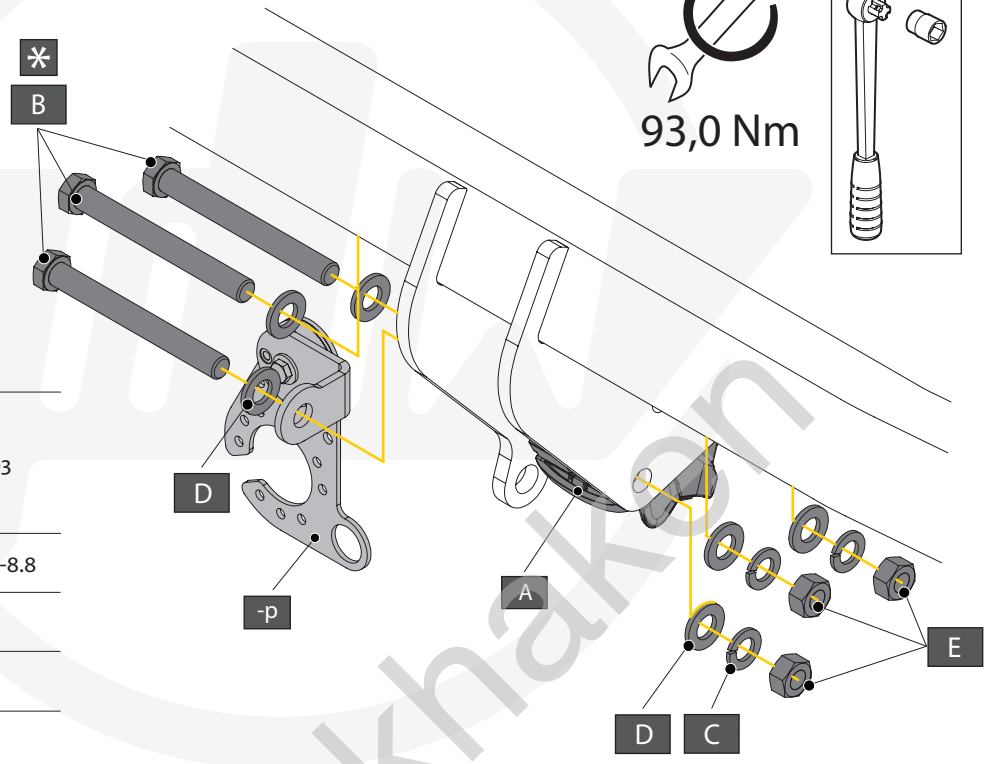
A		X1	GDW REF. 908.096
B		X1	DIN985-M6
C		X2	6,2 X 15,4 X 1,6 (NYLON)
D		X1	GDW REF. 718.16.002
E		X1	GDW REF. 718.16.003
F		X1	GDW REF. 908.094
G		X1	DIN933-M6 X 30

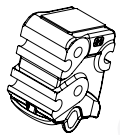



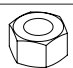
2,0 Nm

10



93,0 Nm



- A  X1 GDW REF. 912.003
- B  X3 DIN931-M12X110-8.8
- C  X3 DIN128A-M12
- D  X6 DIN125A-M12
- E  X3 DIN934-M12

