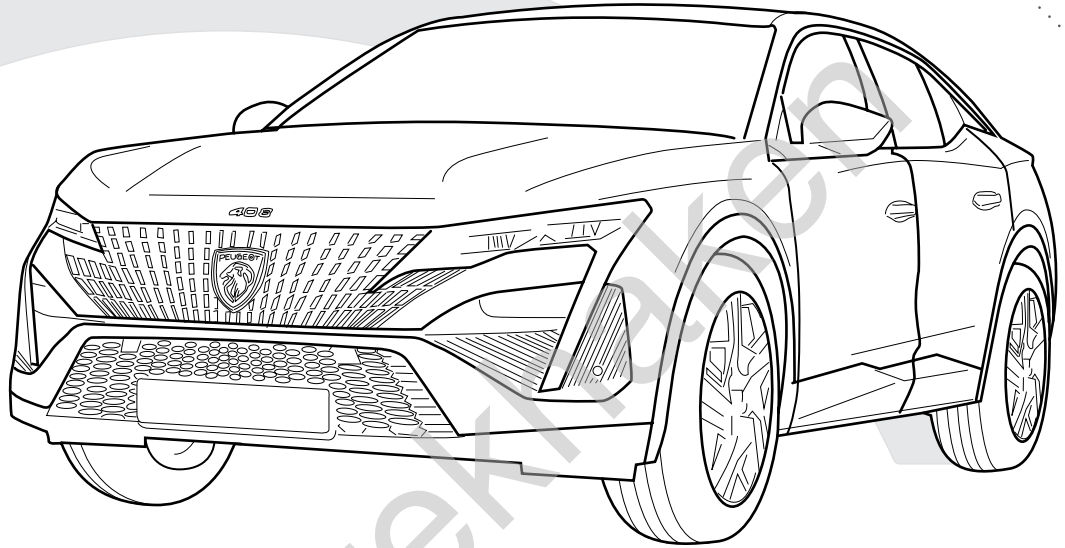




Peugeot 408 II (FP, F3)

07/'22-

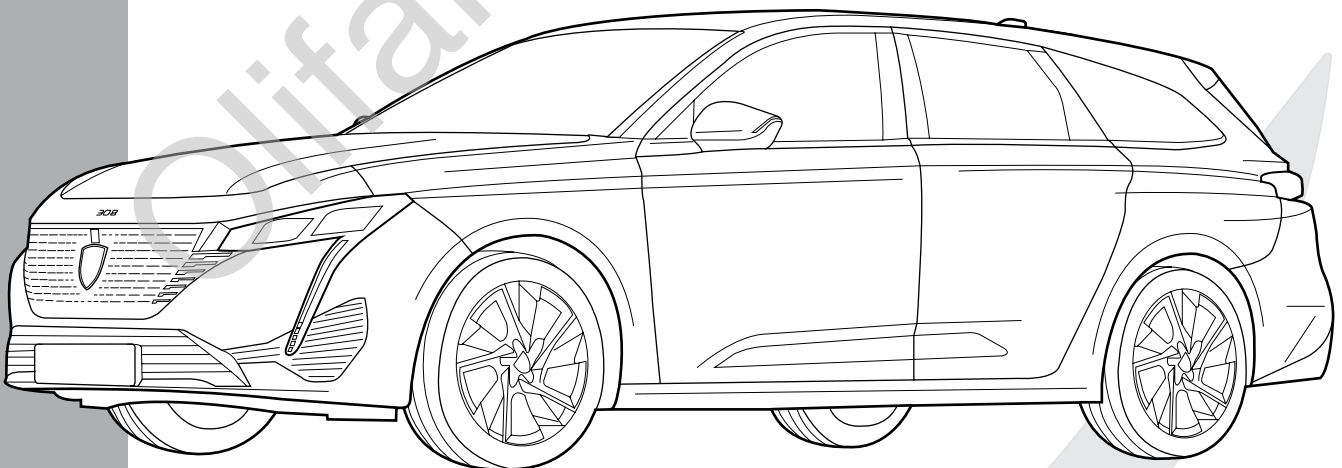
- ✓ STANDARD
- ✓ KICK SENSOR
- ✓ HYBRID
- ✓ GT-LINE

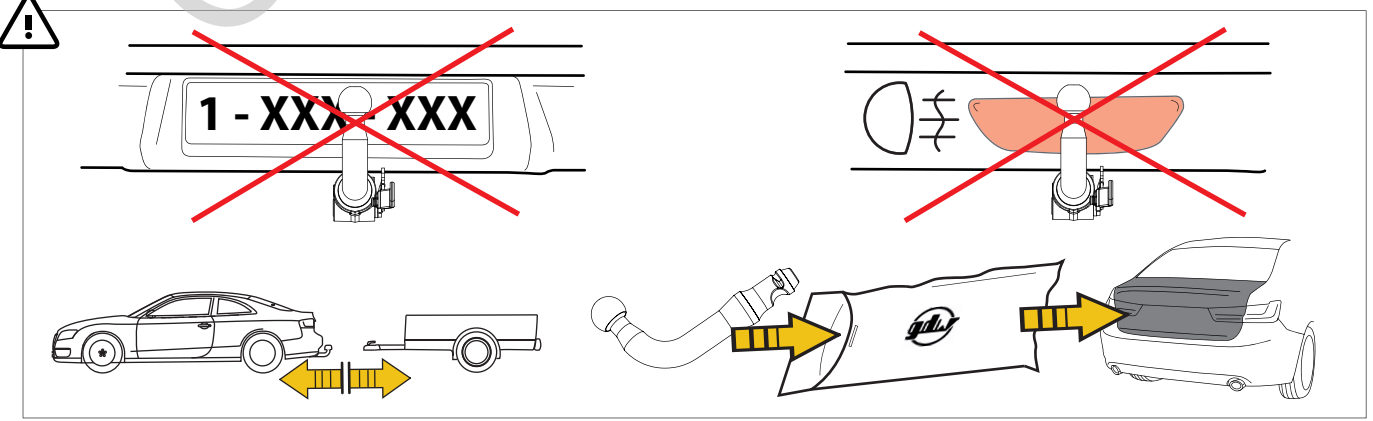
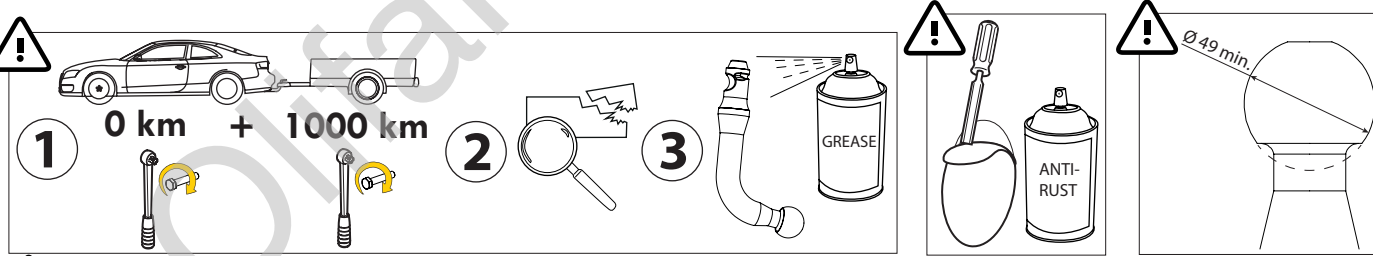
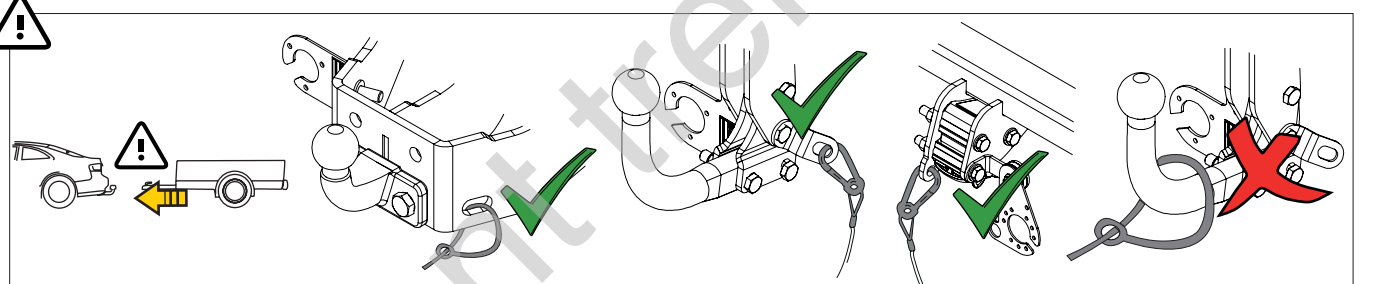
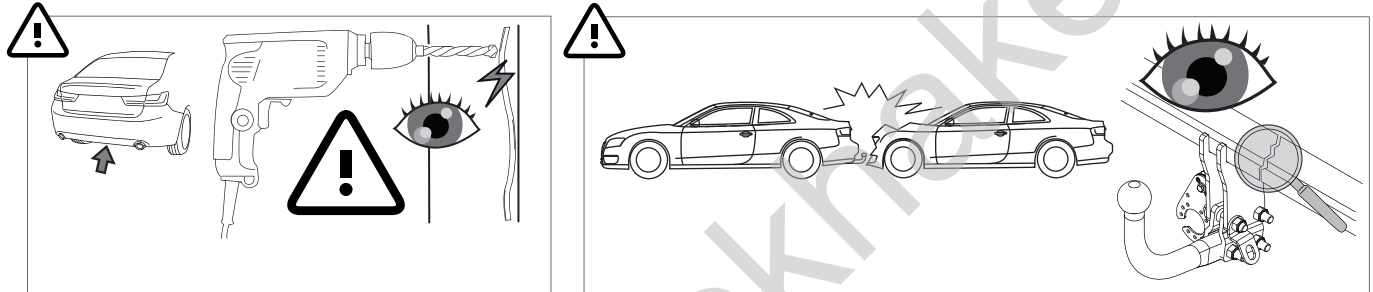
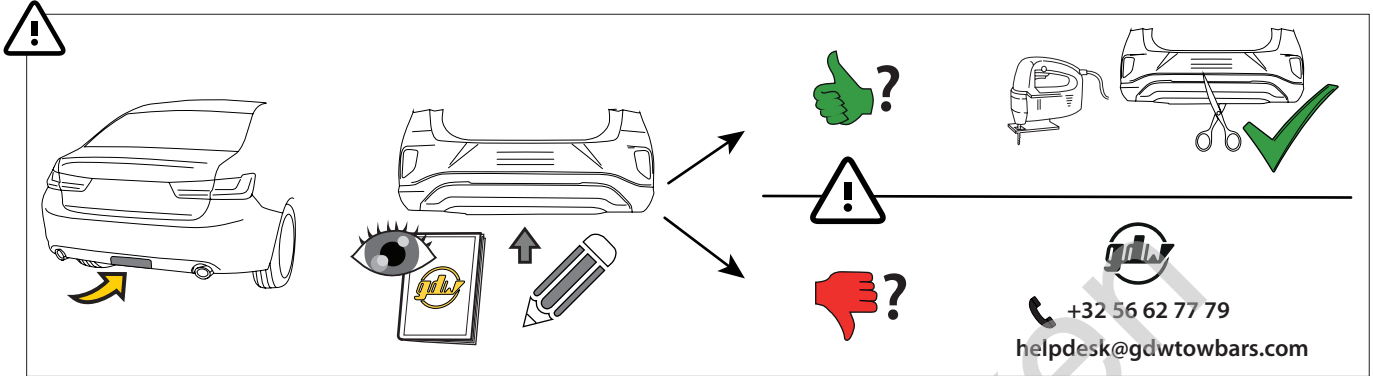
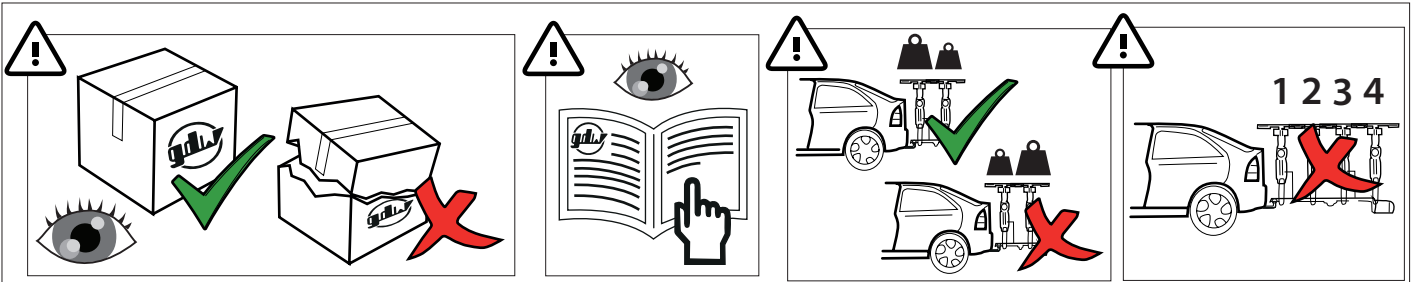


Peugeot 308 SW III (FC, FJ, FR, F4)

07/'21-

- ✓ STANDARD
- ✓ KICK SENSOR
- ✓ HYBRID
- ✓ GT-LINE





MADE BY



D 9,50

F

E6

BELGIUM

S 100

EC-N°

55R-02 1793

REF N°

2694

SERIAL N°

XXXX

DESCRIPTION

Peugeot 408 '22- & Peugeot 308 SW '21-



$$D = \frac{\text{max kg (car)} \times \text{max kg (trailer)}}{\text{max kg (car)} + \text{max kg (trailer)}} \times 0.00981 \leq 9,50 \text{ kN}$$

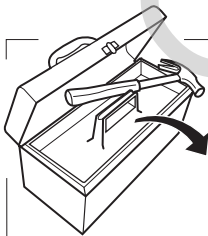
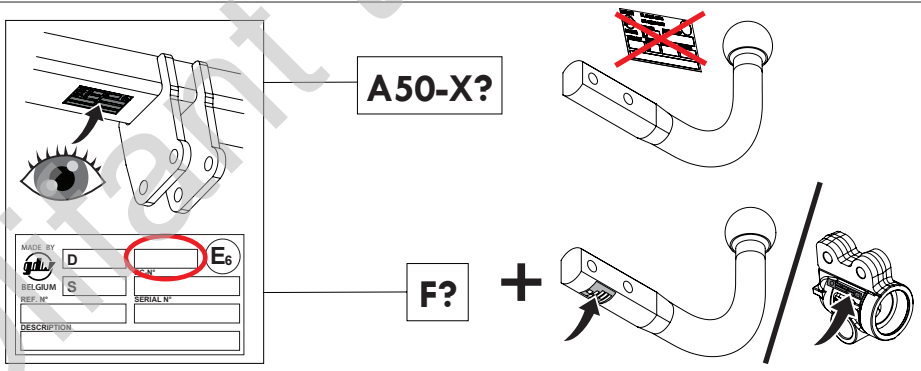
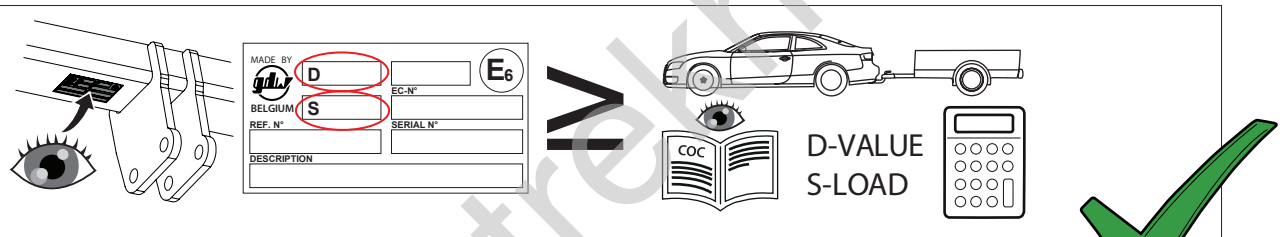
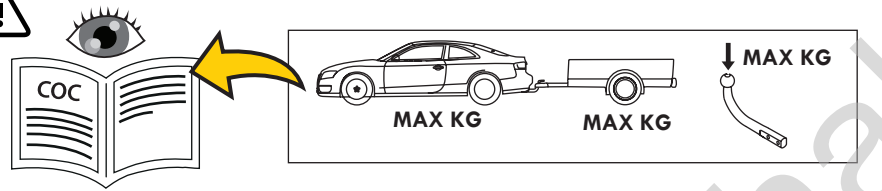
$$S = \begin{matrix} \downarrow \\ \text{hook} \end{matrix} \leq 100 \text{ kg} \quad \begin{matrix} \uparrow \\ \text{trailer} \end{matrix} \leq 1700 \text{ kg}$$



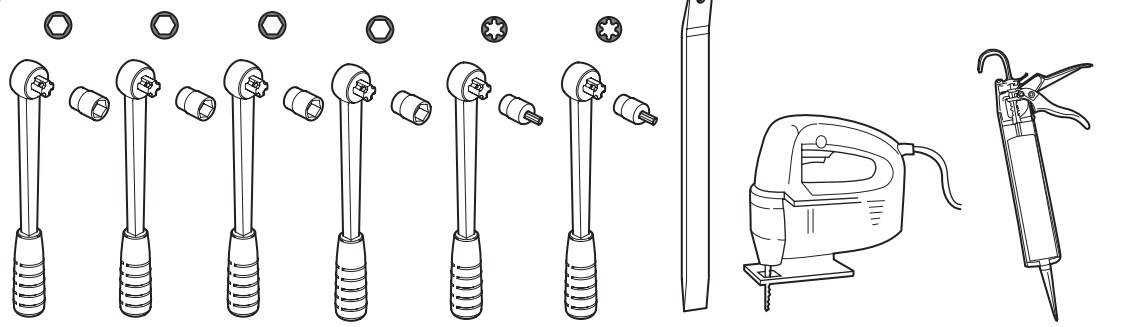
See the Certificate Of Conformity (COC) of your vehicle or contact your dealer to verify the max. trailer weight of your car!

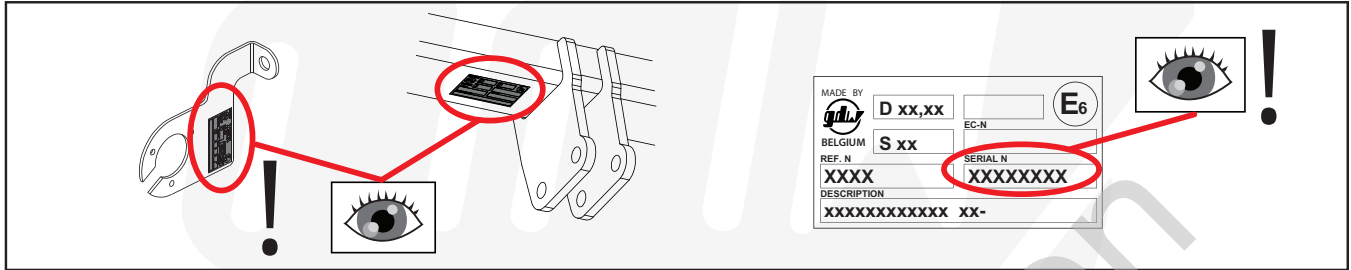


See the user manual of the vehicle for correct use of bicycle carriers!



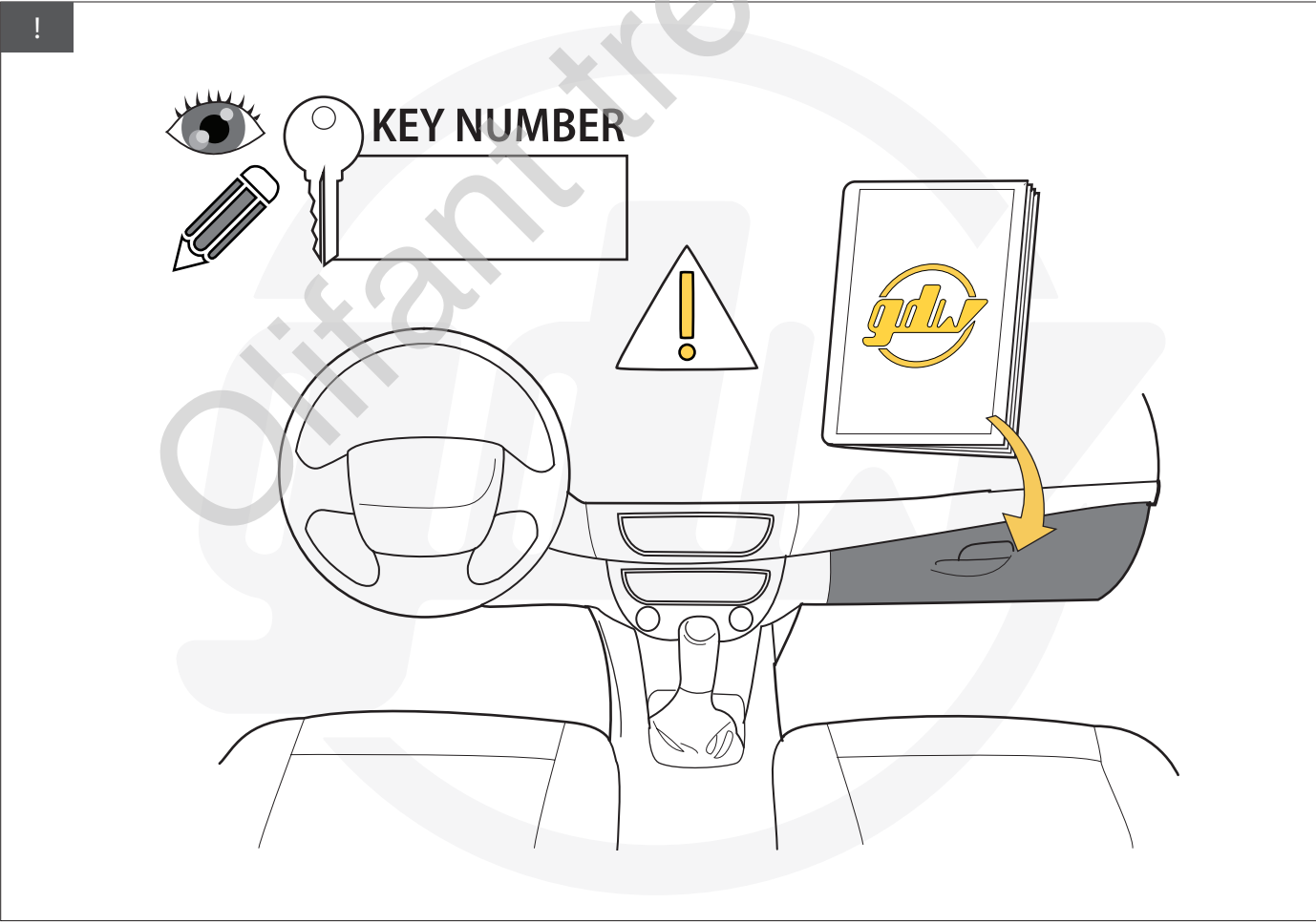
10 12 13 19 TX25 TX20

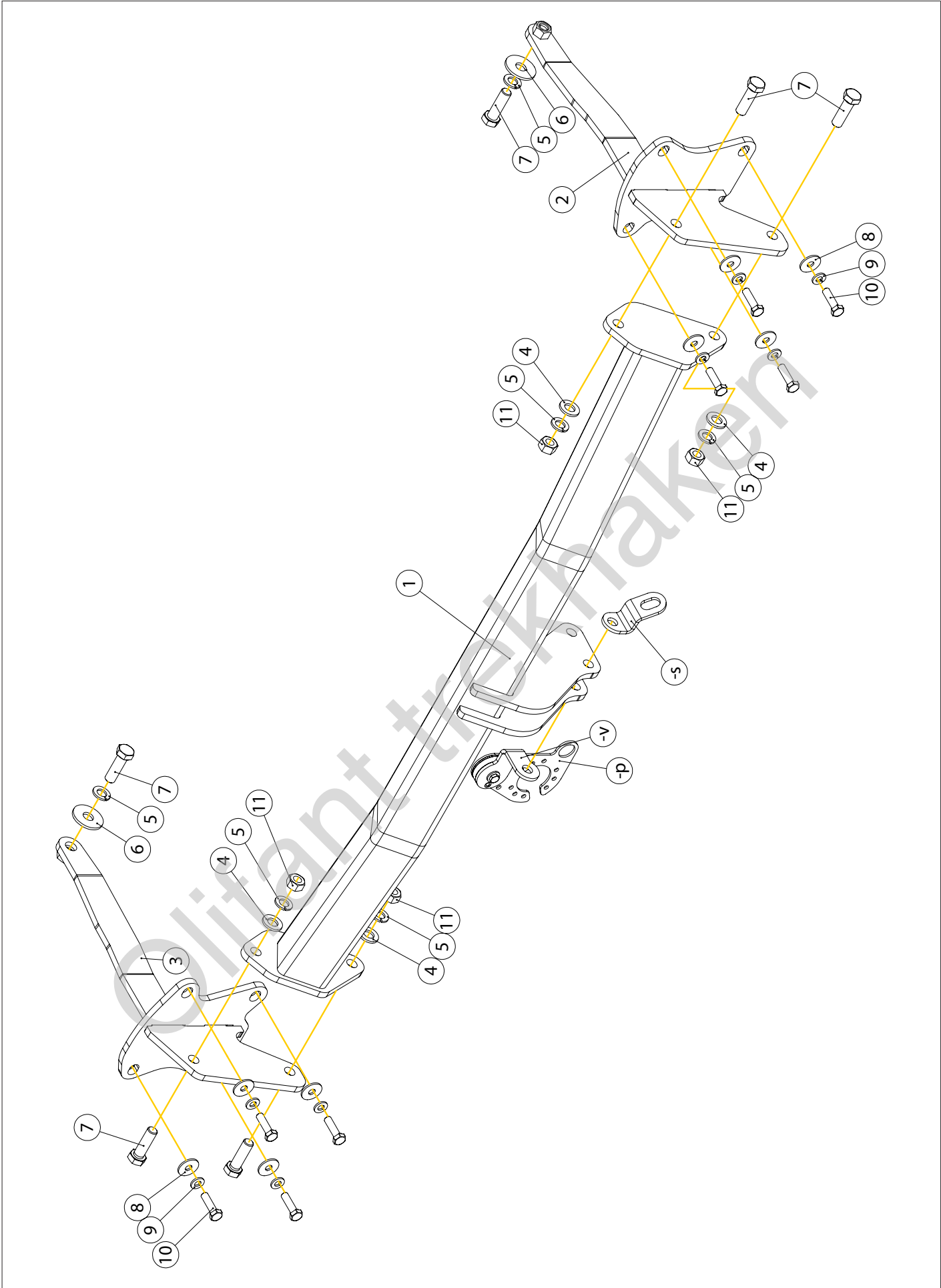


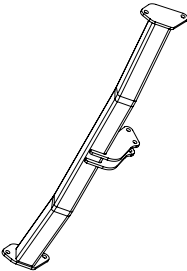
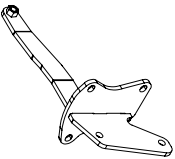






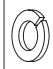






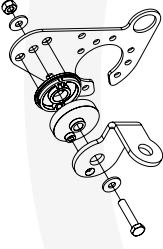

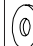

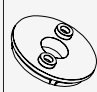



helpdesk@gdwtowbars.com
+32 56 62 77 79

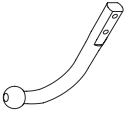




Monday	08:00 - 12:00	12:30 - 16:30
Tuesday	08:00 - 12:00	12:30 - 16:30
Wednesday	08:00 - 12:00	12:30 - 16:30
Thursday	08:00 - 12:00	12:30 - 16:30
Friday	08:00 - 12:00	12:30 - 15:30






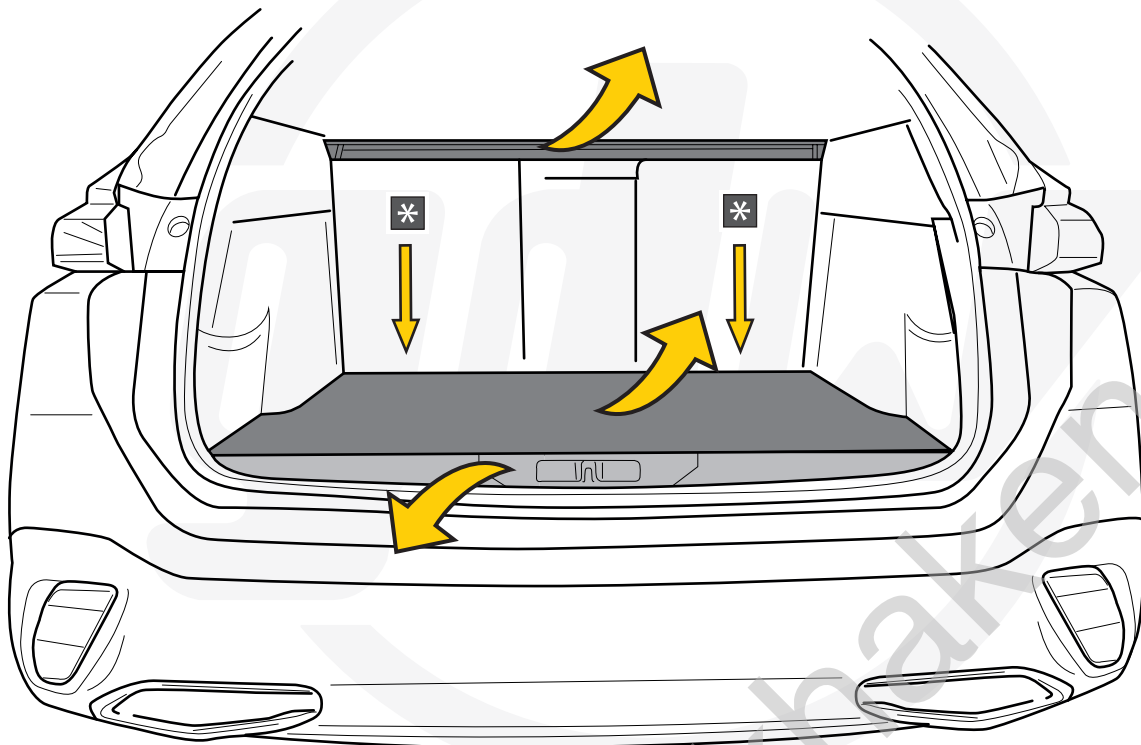
1		X1	GDW REF. 2694
2		X1	GDW REF. 2
3		X1	GDW REF. 3
4		X4	DIN125-A12-14OHV-ELVZ
5		X6	DIN128A-M12
6		X2	DIN9021-M12-ELVZ
7		X6	DIN933-M12X40
8		X8	DIN9021-M8-ELVZ
9		X8	DIN128A-M8
10		X8	DIN933-M8X30
11		X4	DIN934-M12
-V		X1	GDW REF. 908.095
-S		X1	GDW REF. 900.053

-P		X1	GDW REF. P39
┆		X1	DIN985-M6
┆		X2	6,2 X 15,4 X 1,6 (NYLON)
┆		X1	GDW REF. 718.16.002
┆		X1	GDW REF. 718.16.003
┆		X1	GDW REF. 908.094
┆		X1	DIN933-M6 X 30
┆		X1	GDW REF. 908.095

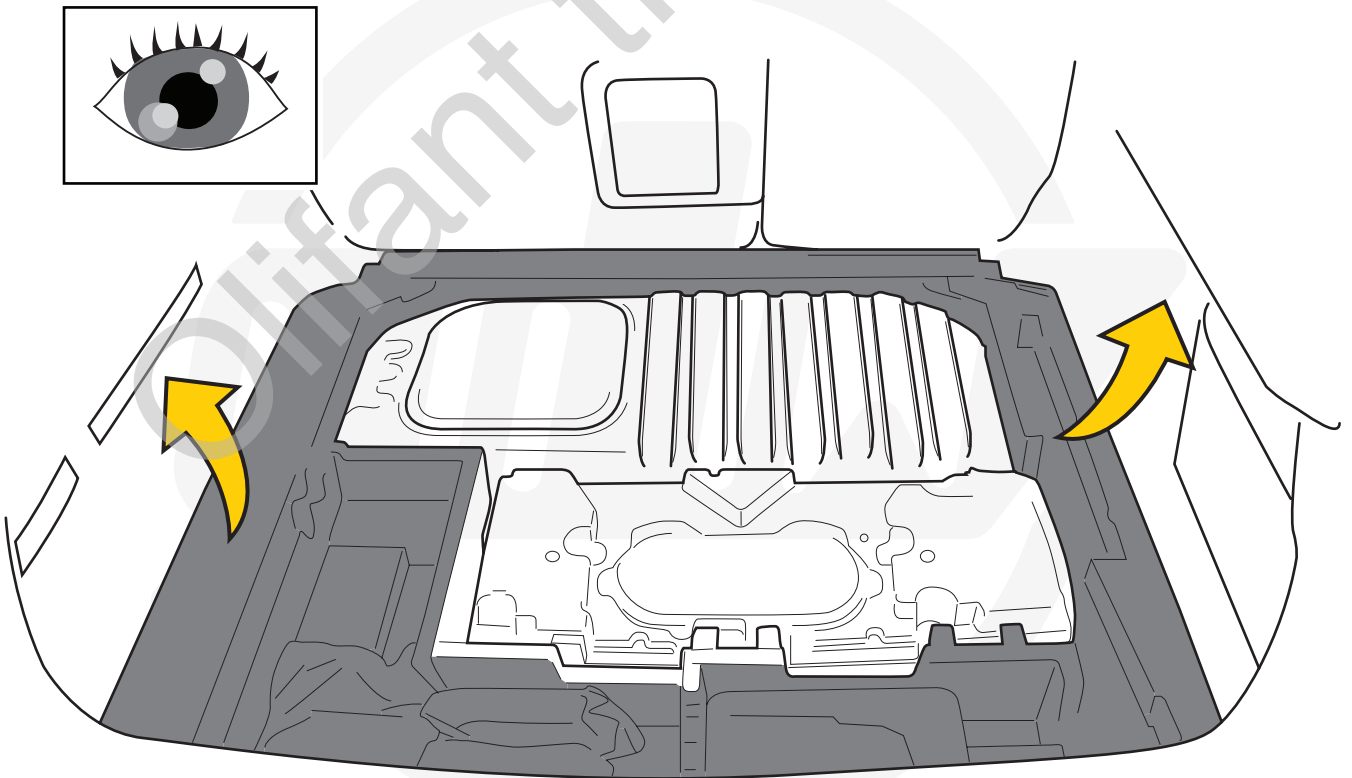
Geleverd met - Livré avec - Delivered with Geflefert mit - Elementos adjuntos-Leveres med		X1	944.L029
		X2	GDW REF. 900.008
		X2	GDW REF. 900.011 Ø 21.3 X 11.7
		X4	DIN931-M12 X 70
		X4	DIN985-M12

OPTION T36		
	X1	KITT36-2694

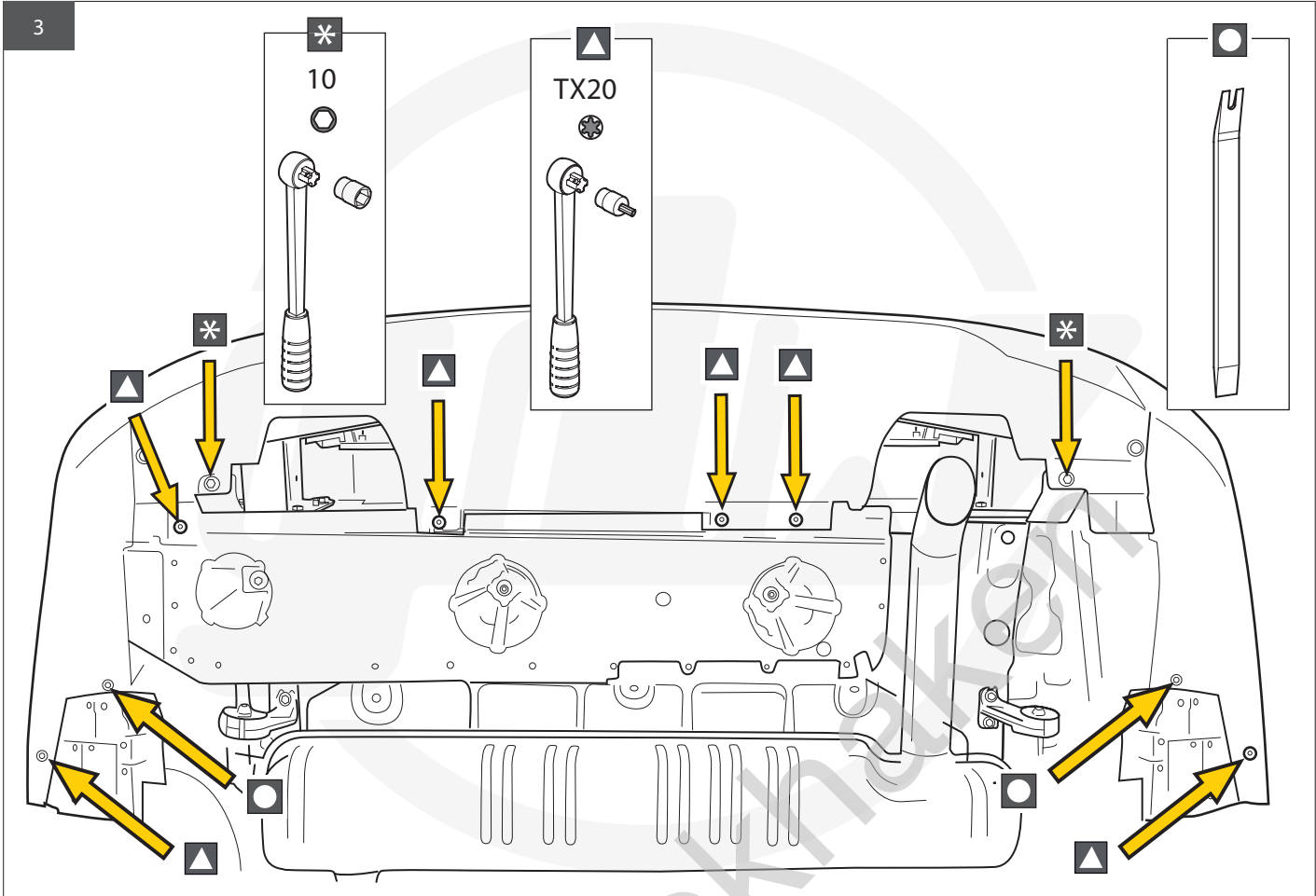
1



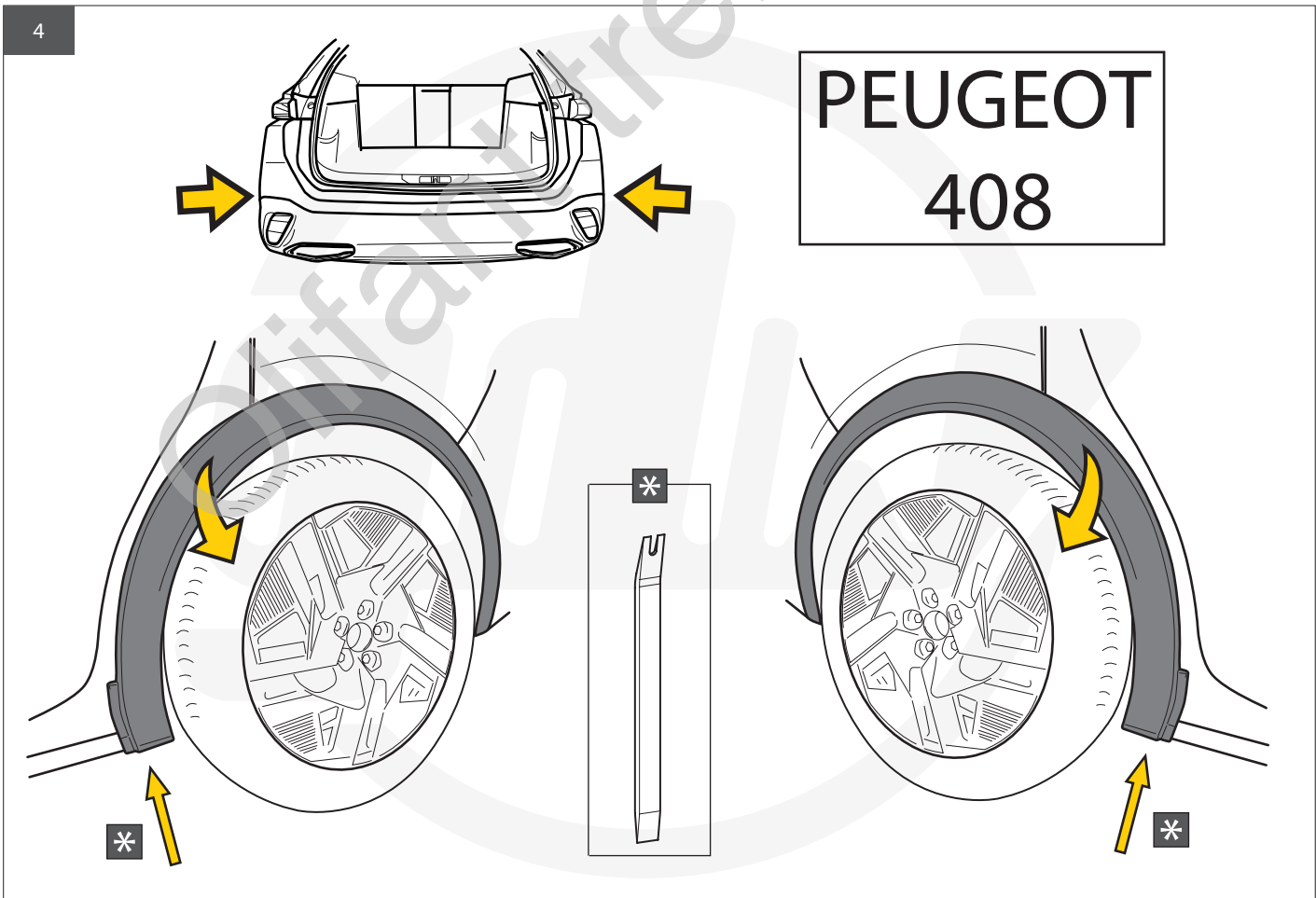
2

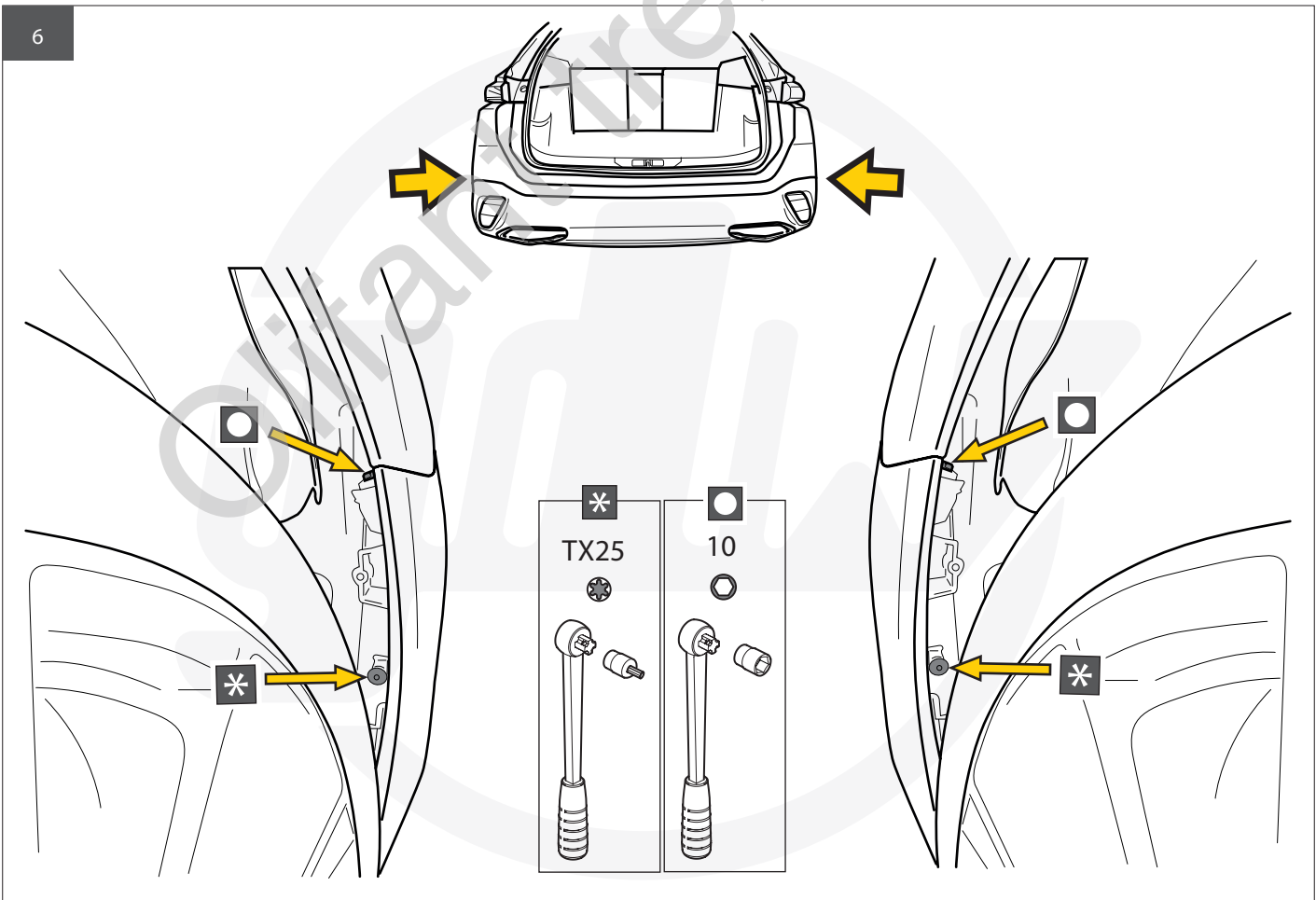
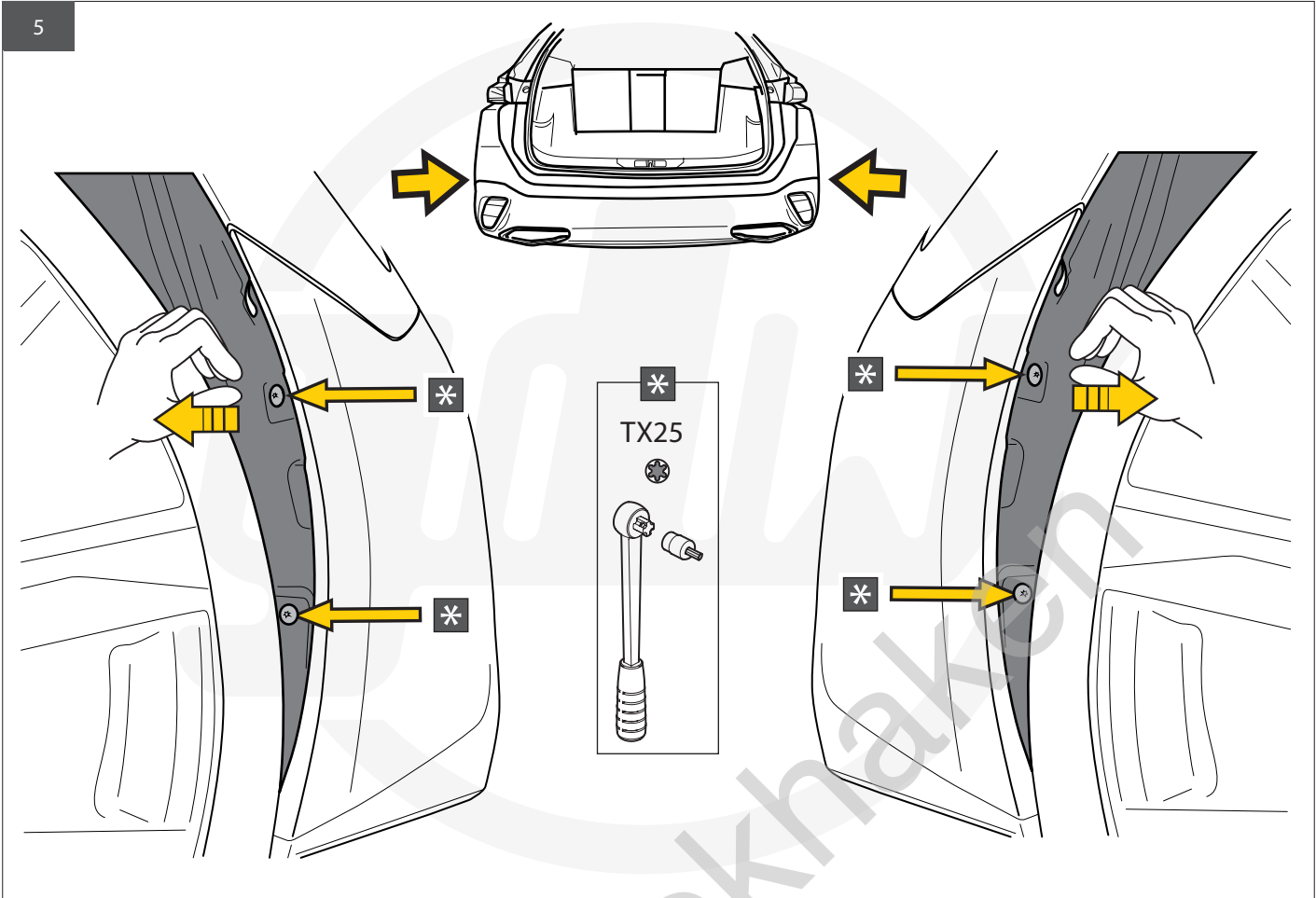


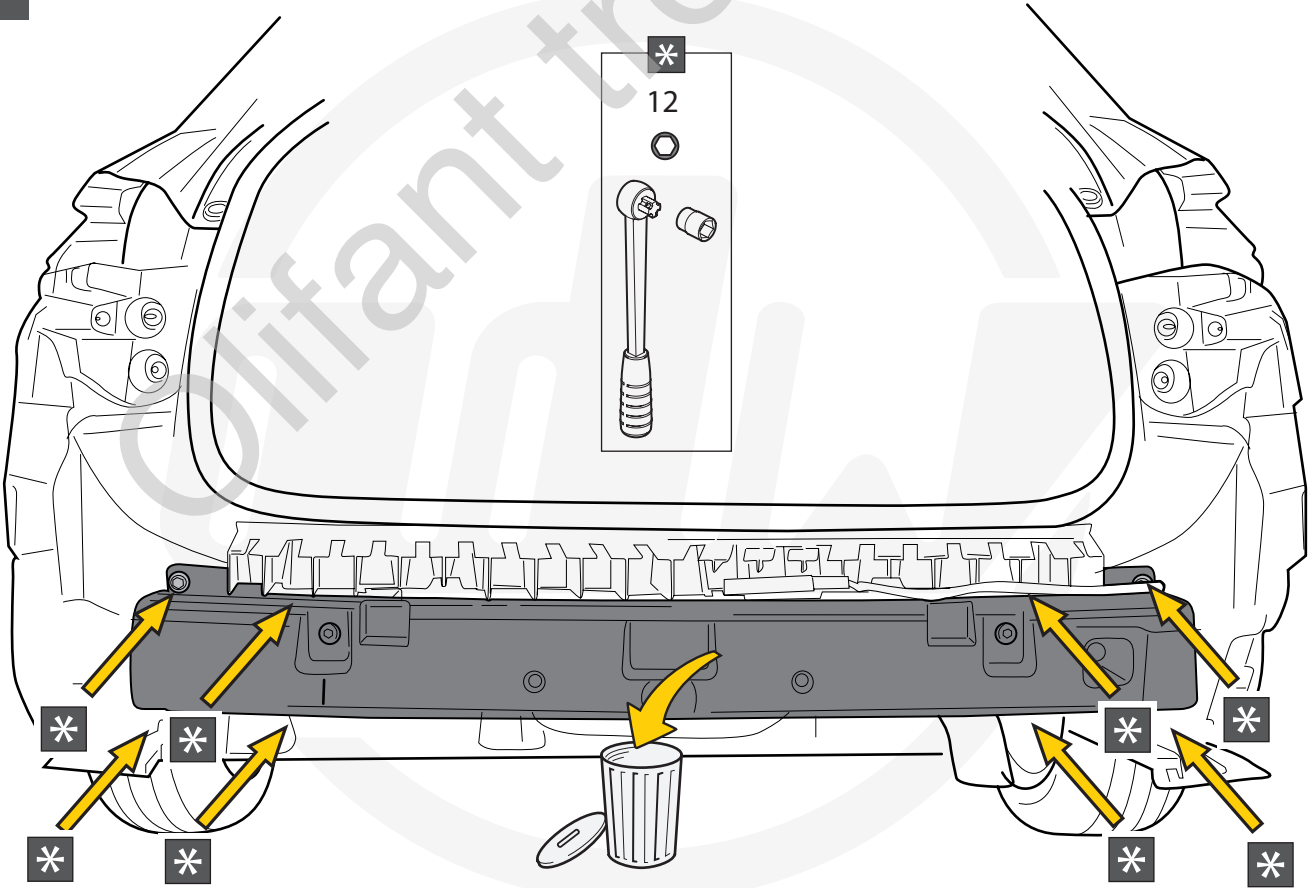
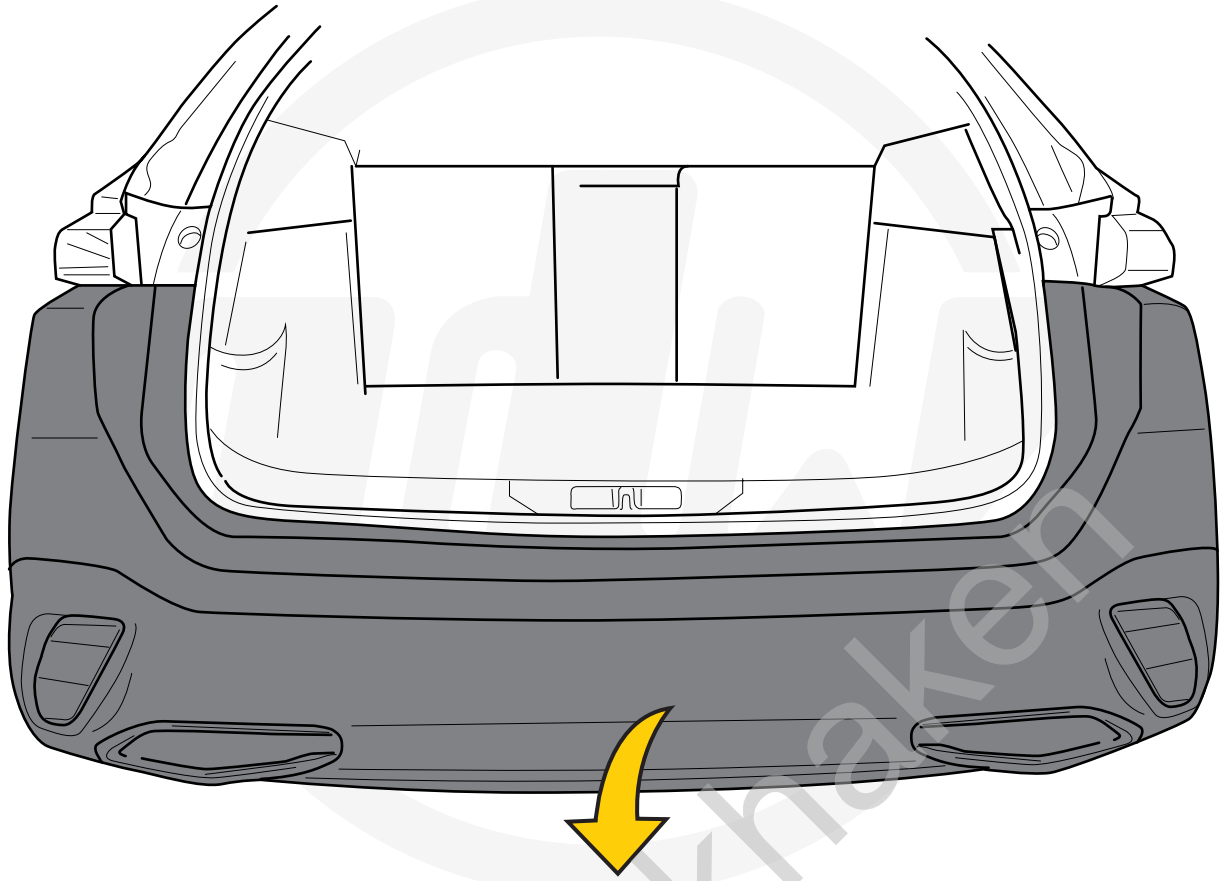
3

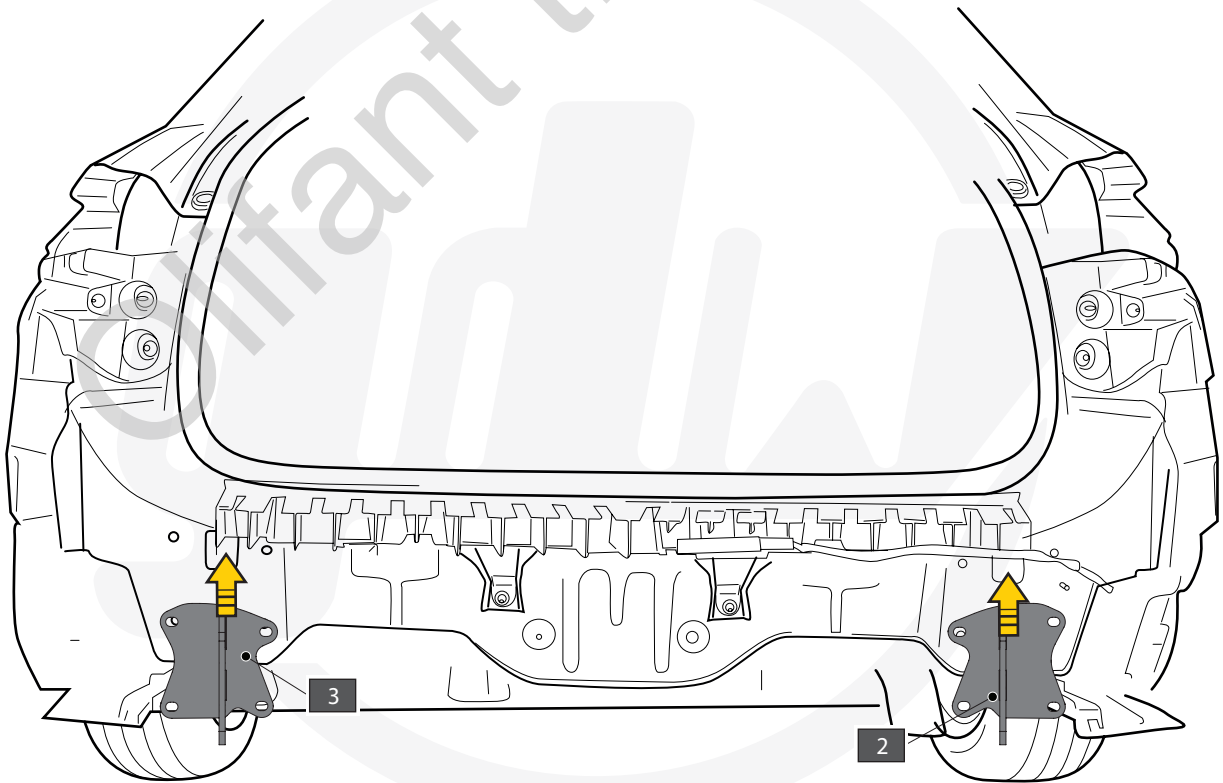
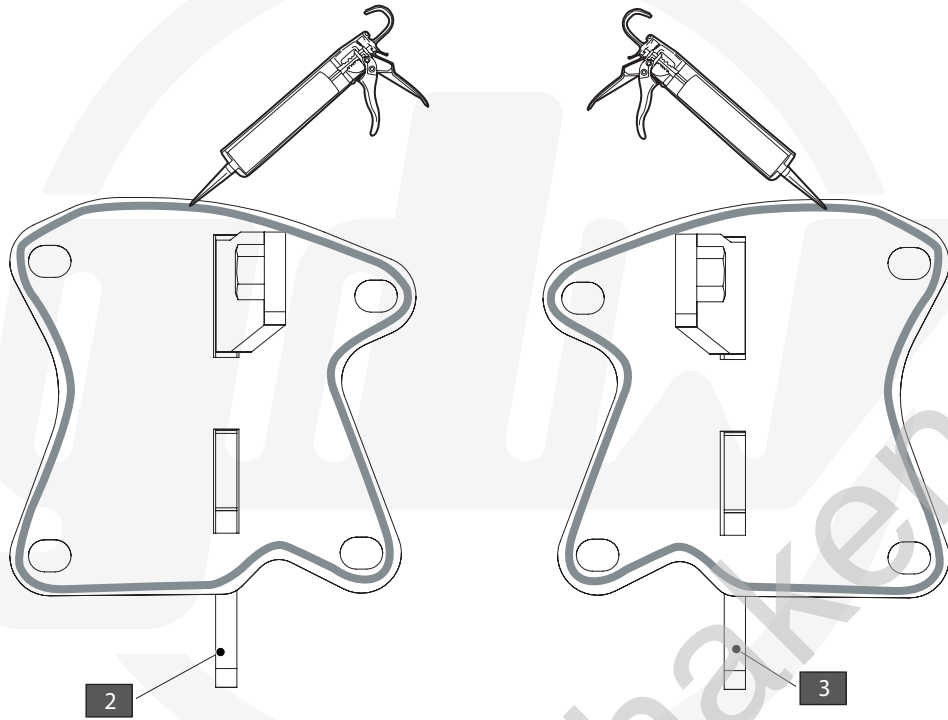


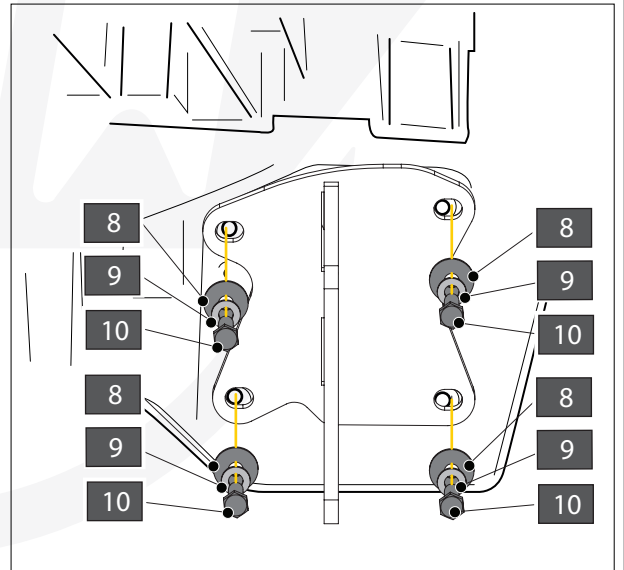
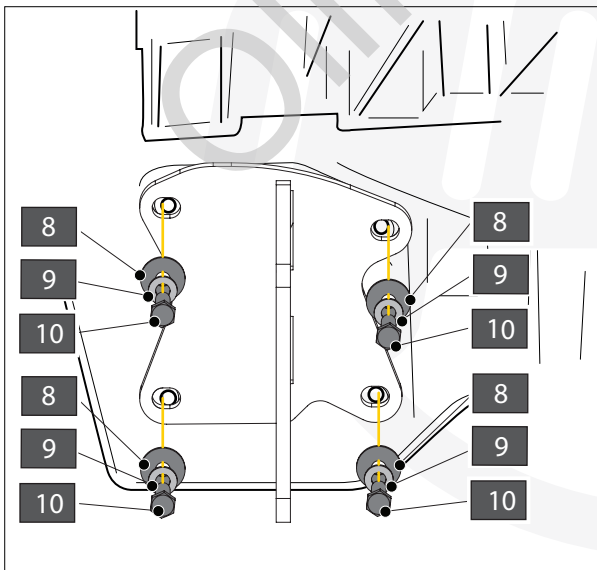
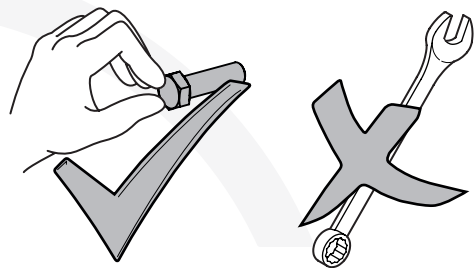
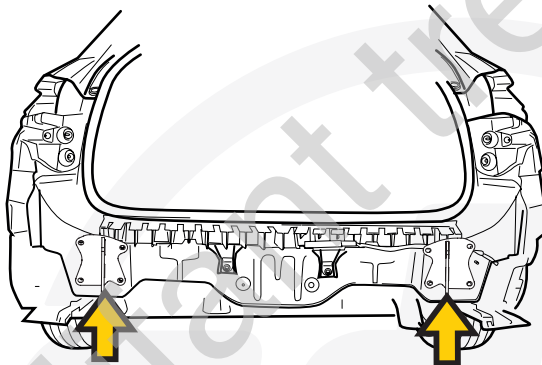
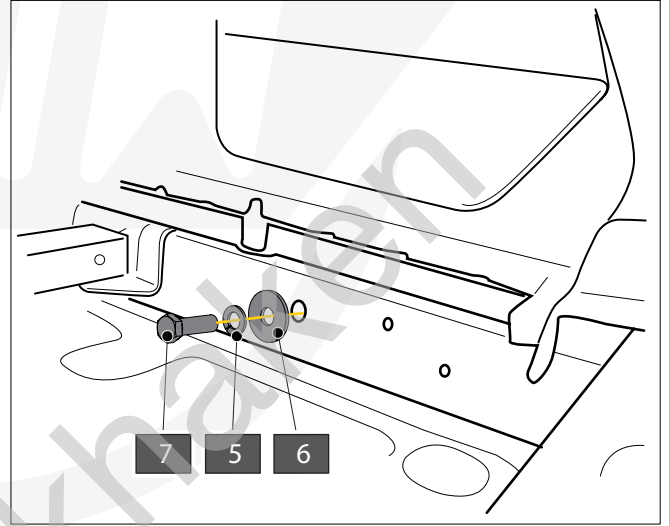
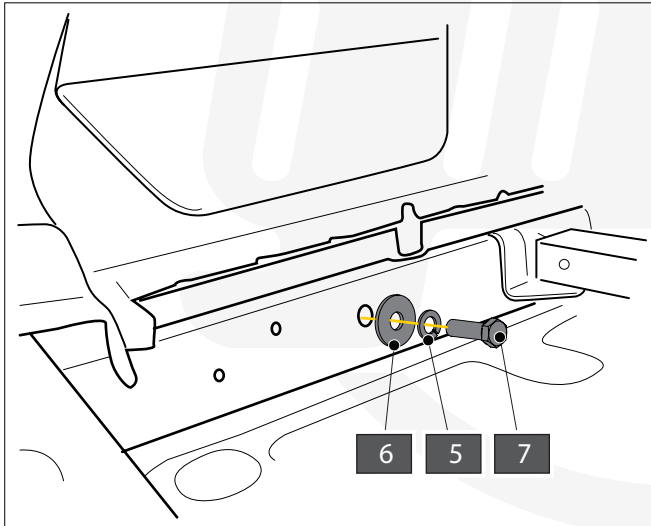
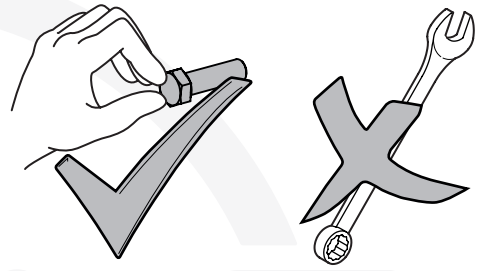
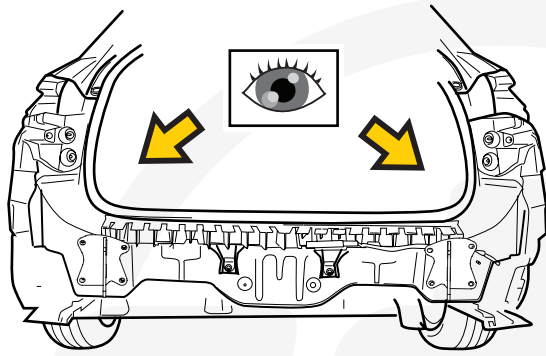
4

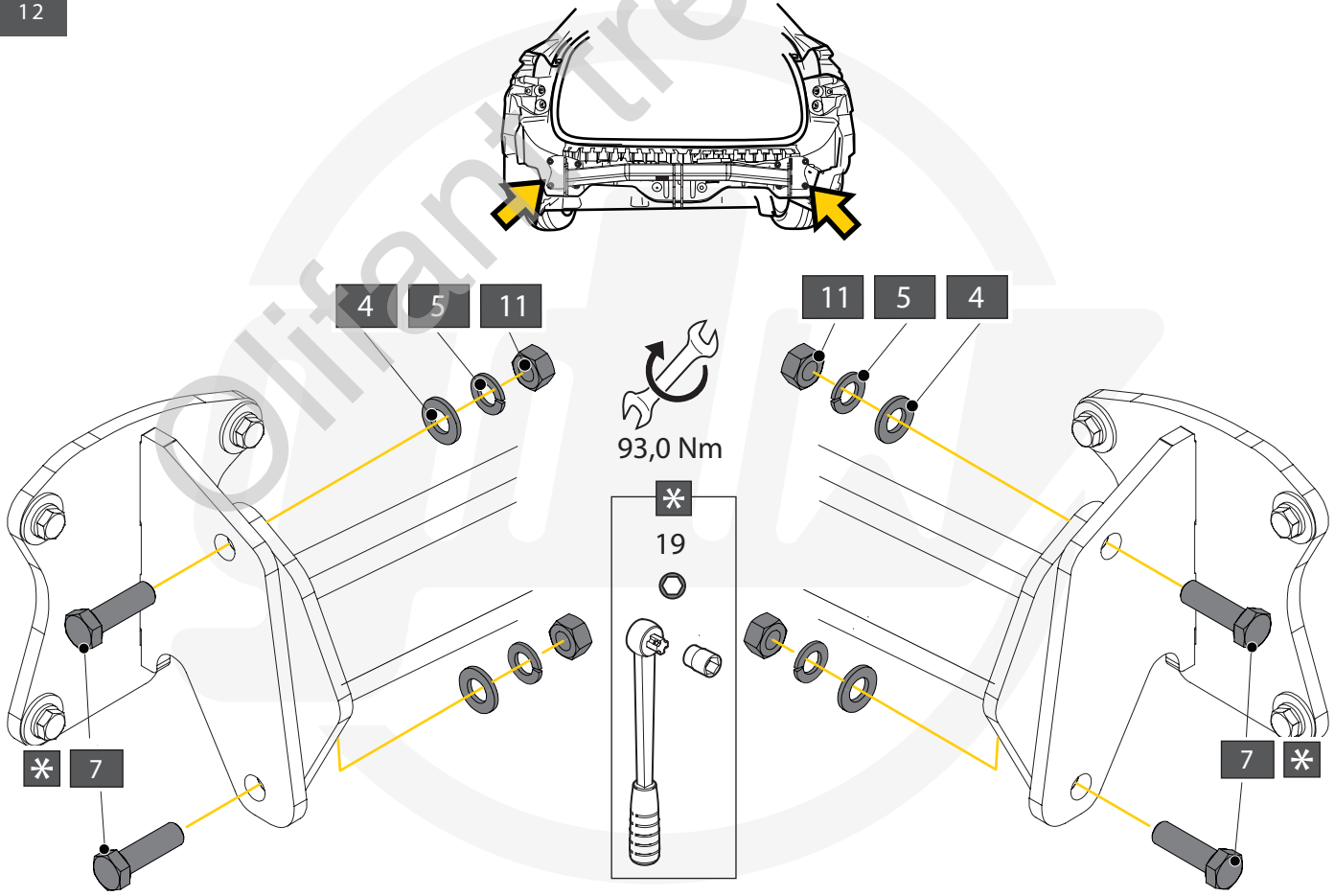
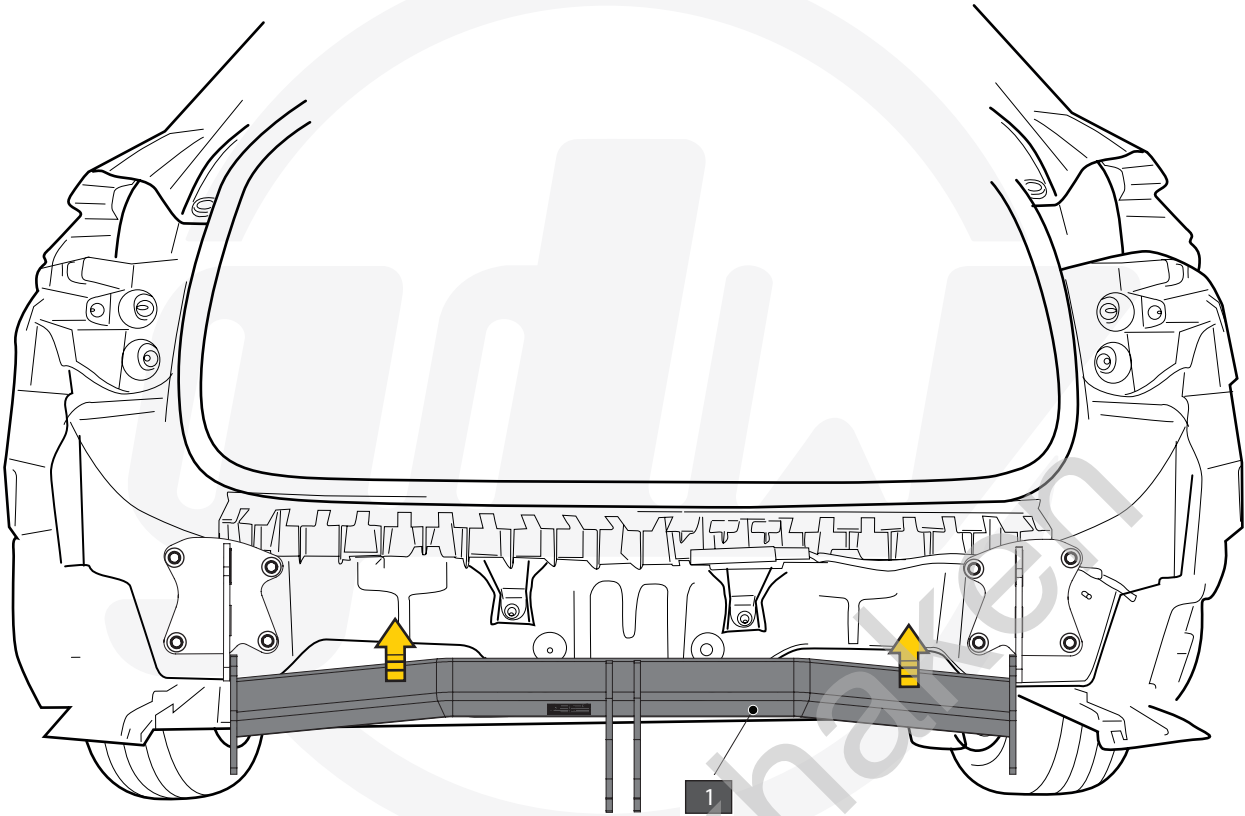


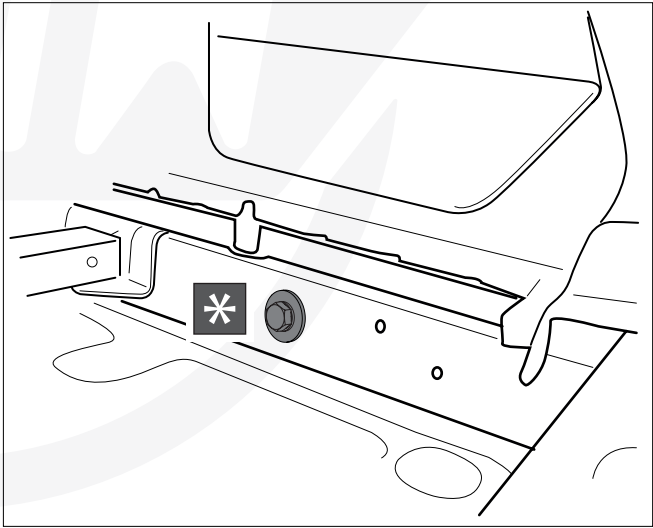
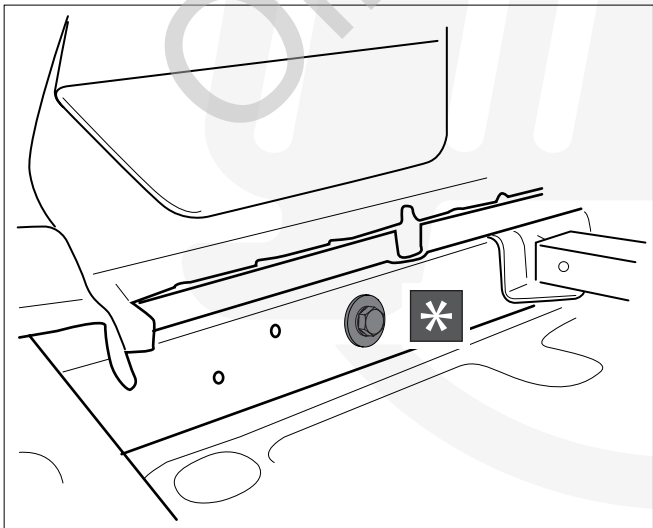
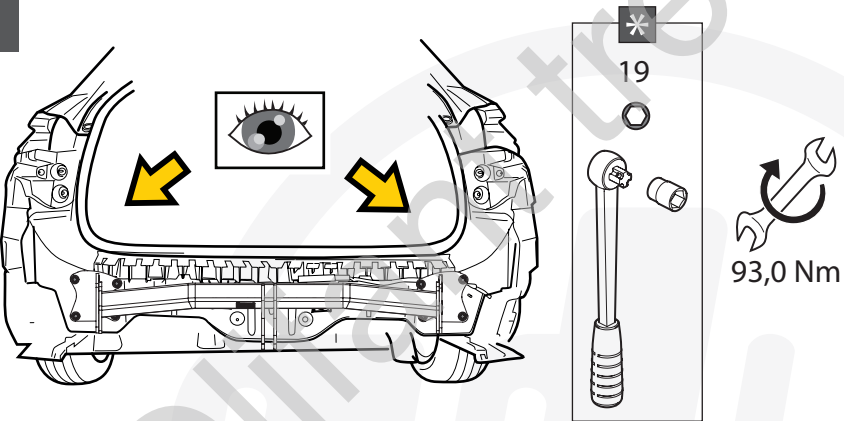
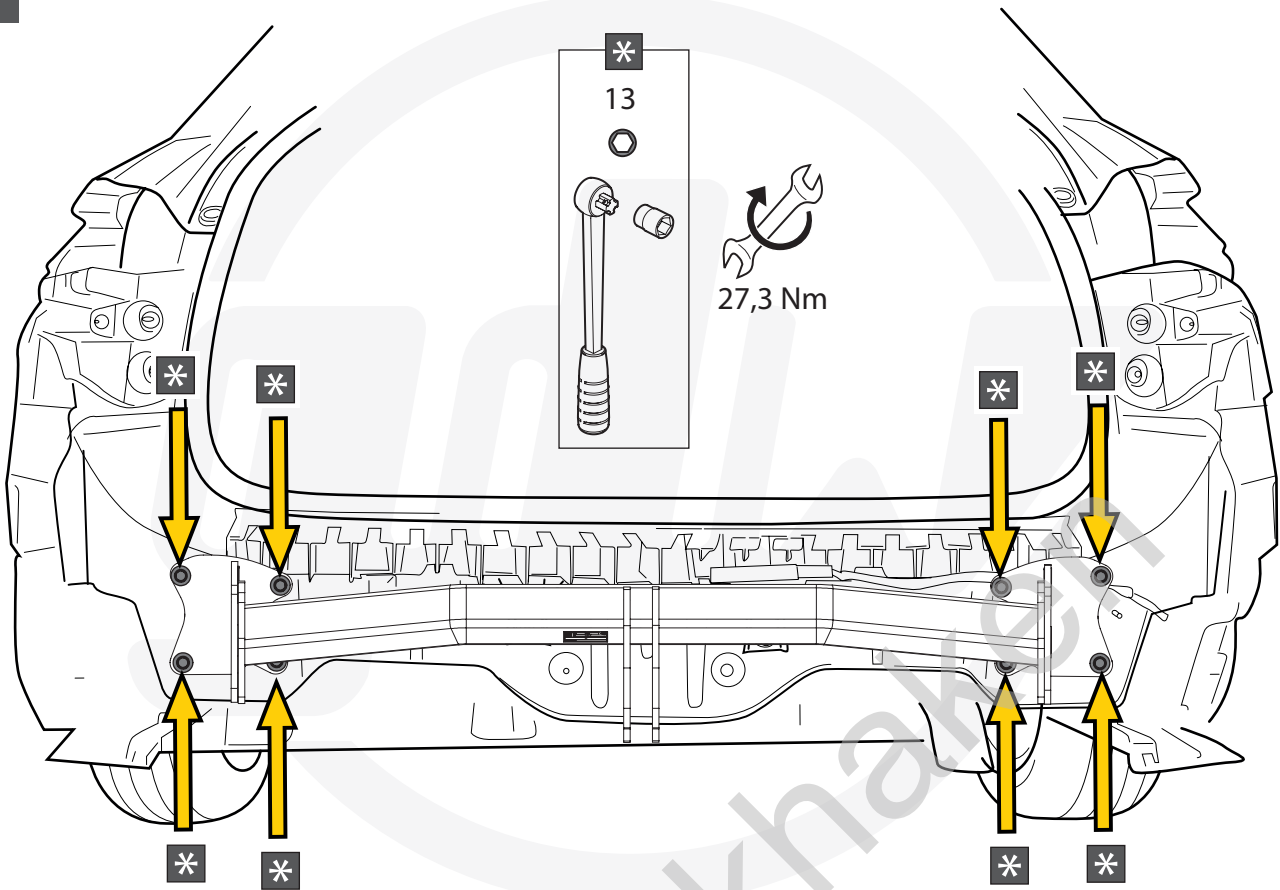






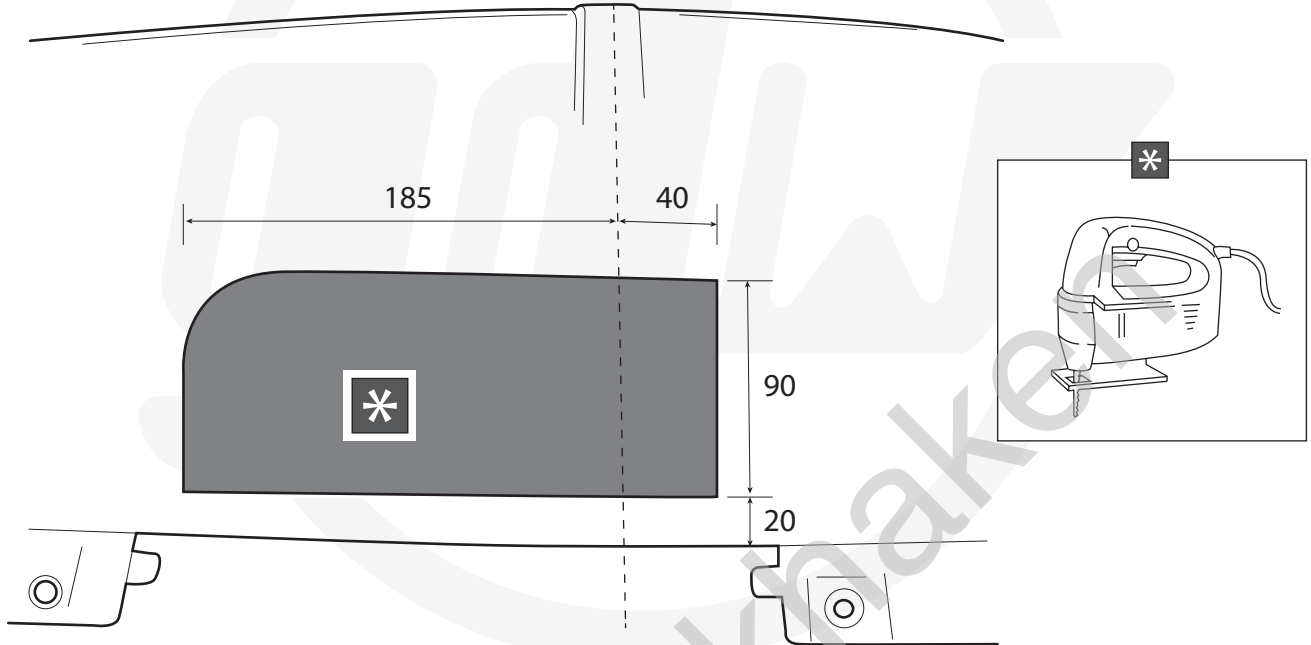




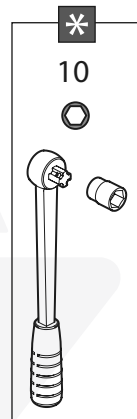




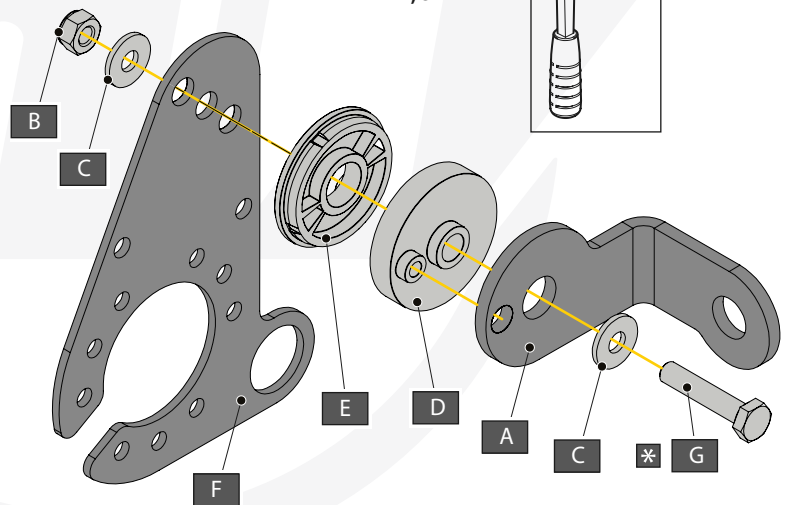
KICK SENSOR



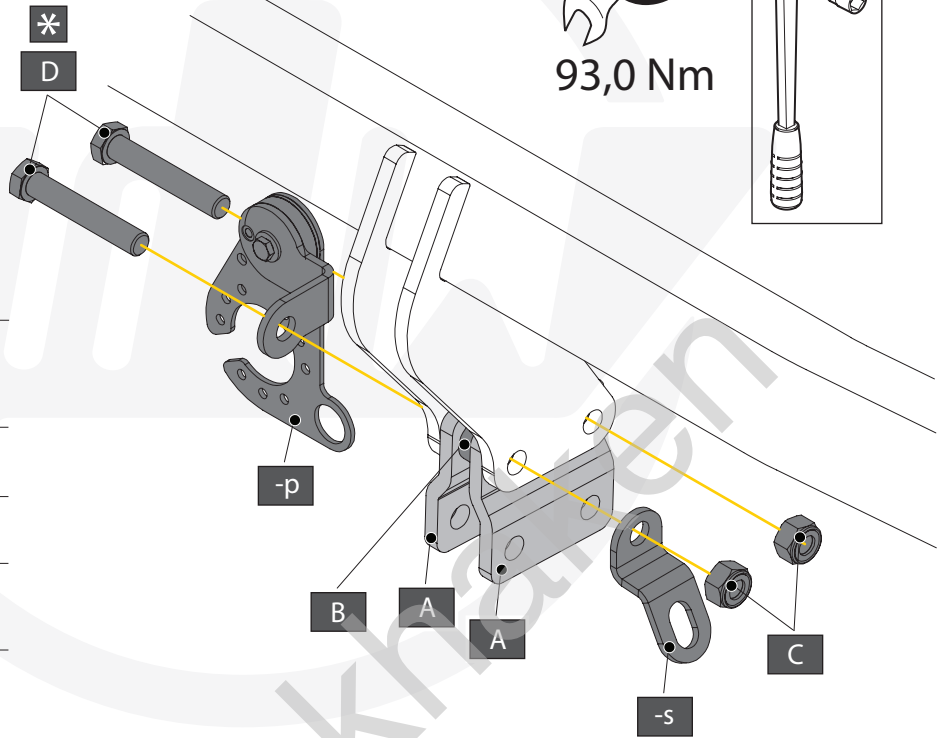
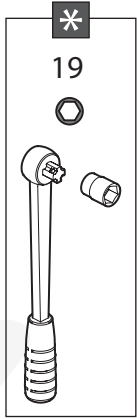
2,0 Nm



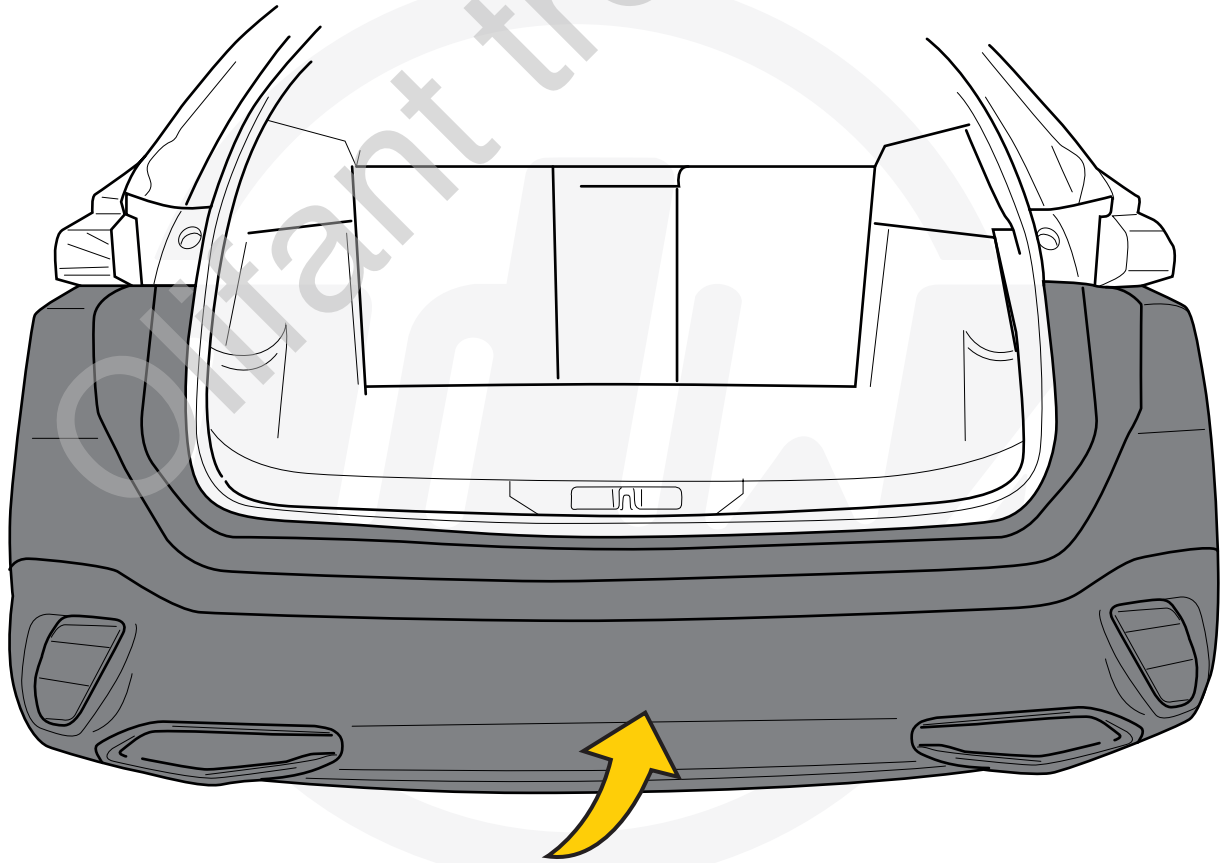
A		X1	GDW REF. 908.095
B		X1	DIN985-M6
C		X2	6,2 X 15,4 X 1,6 (NYLON)
D		X1	GDW REF. 718.16.002
E		X1	GDW REF. 718.16.003
F		X1	GDW REF. 908.094
G		X1	DIN933-M6 X 30



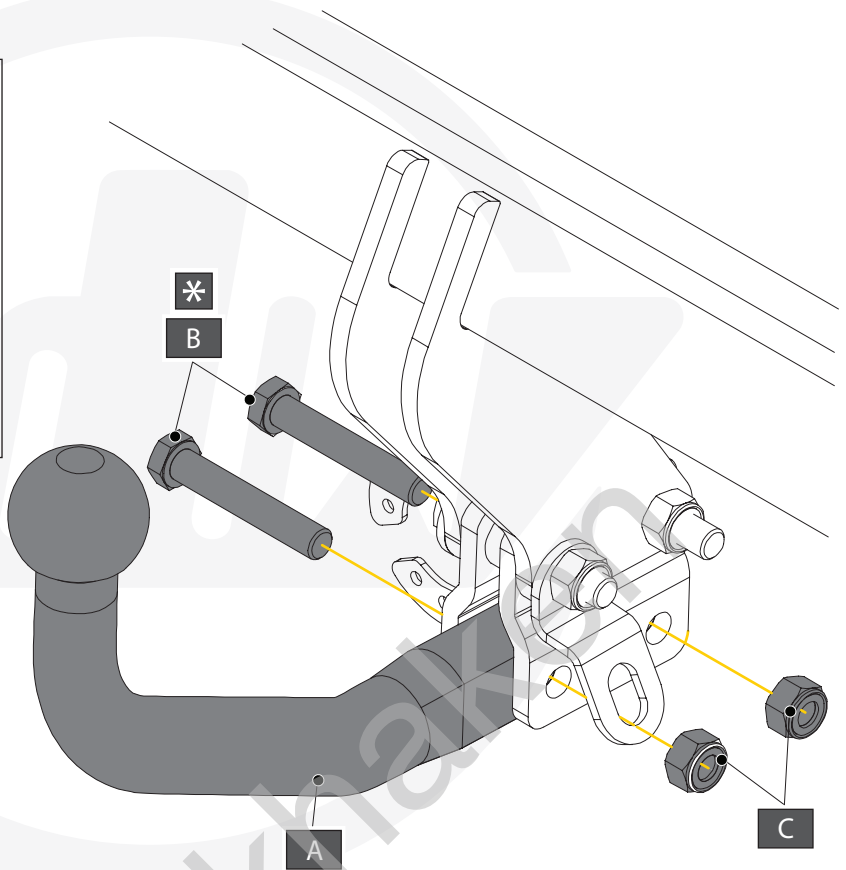
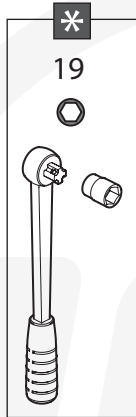
93,0 Nm



A		X2	GDW REF. 900.008
B		X2	GDW REF. 900.011 Ø 21,3 X 11,7
C		X2	DIN985-M12
D		X2	DIN931-M12 X 70
-S		X1	GDW REF. 900.053

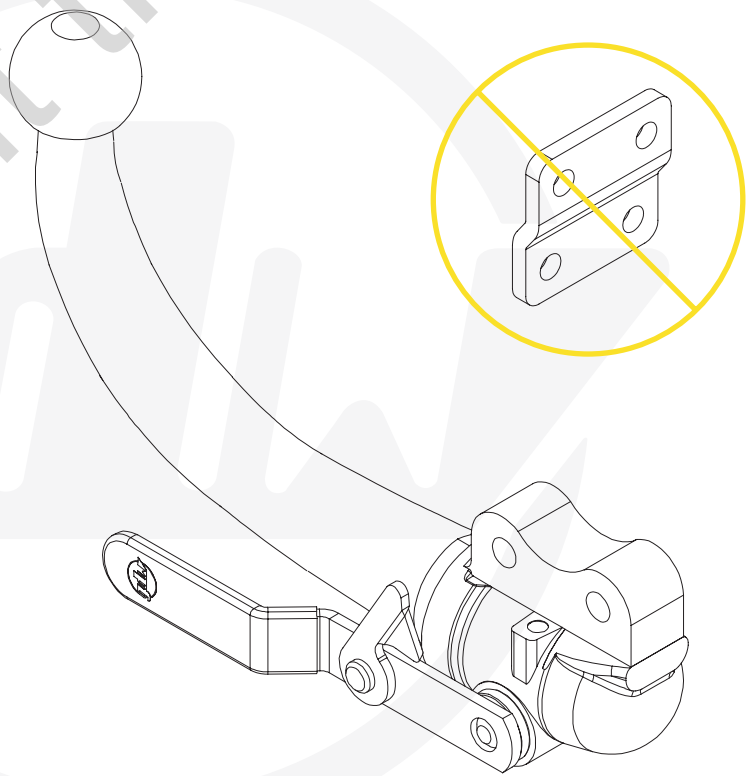


93,0 Nm



A		X1	944.L029
B		X2	DIN931-M12 X 70
C		X2	DIN985-M12

AFN Opties - Options - Options - Optionen - Opciones - Muligheder



OPTION T36

	X1	KITT36-2694
--	----	-------------