



TREKHAKEN • ATTELAGES • ANHÄNGERVORRICHTUNGEN • TOWBARS • ENHANCES • ANHÆNGERTRÆK
Montagehandleiding | instructions de montage | Einbauanleitung | Mounting instruction
Instrucciones de montaje | monteringsvejledning



BMW 2 Coupé (type G42)

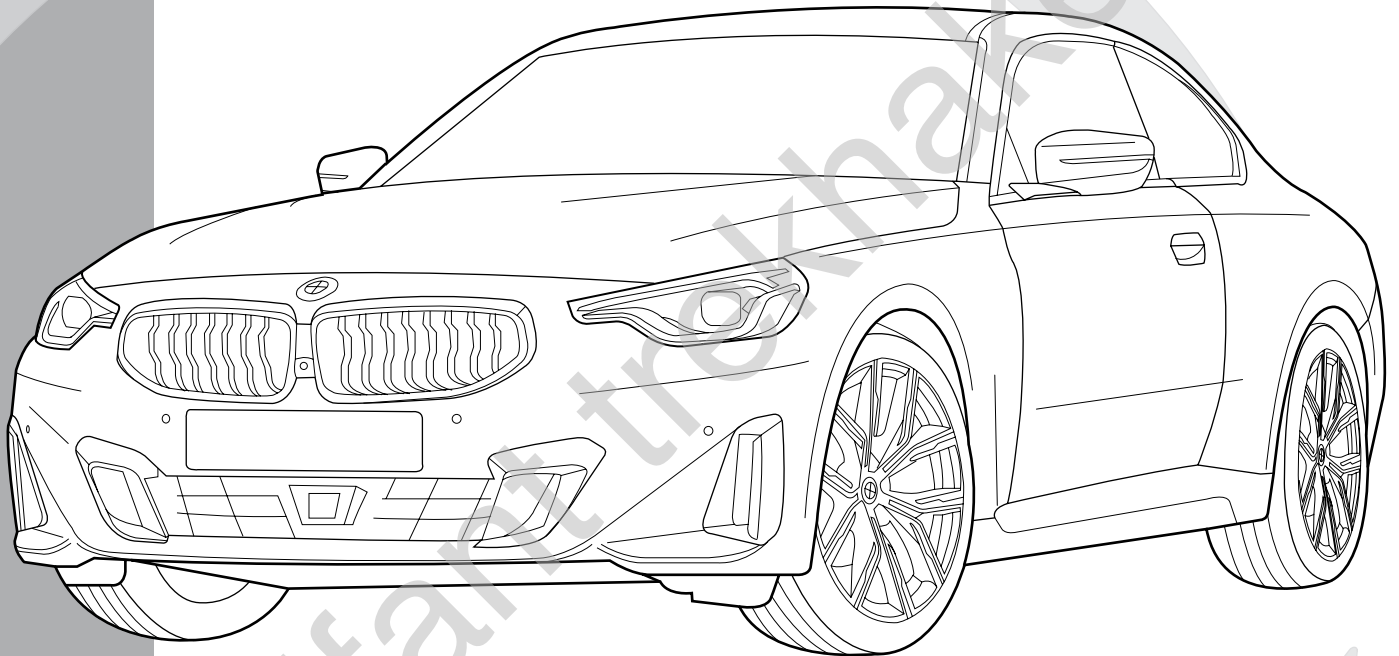
08/'21 -

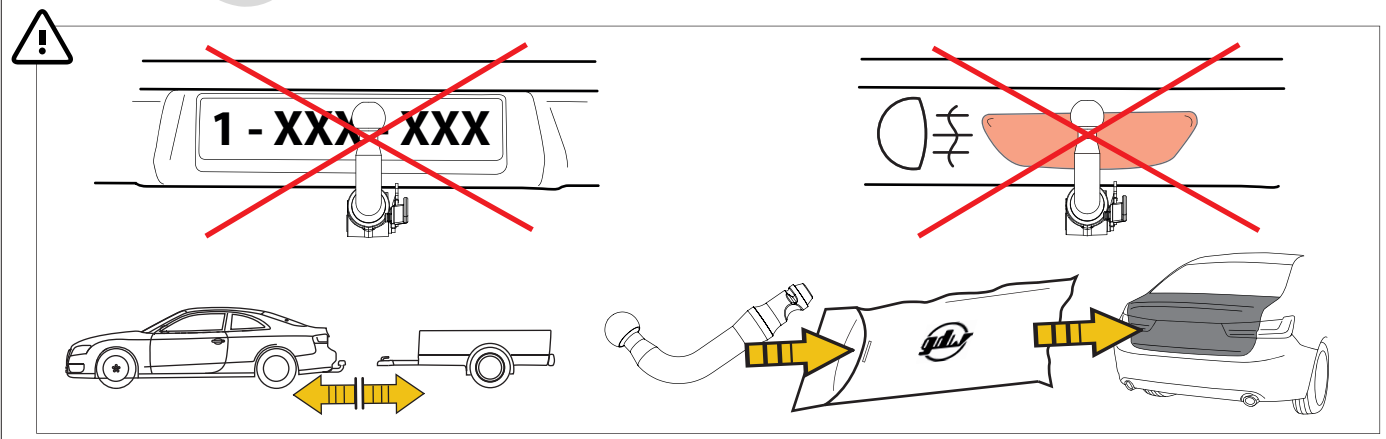
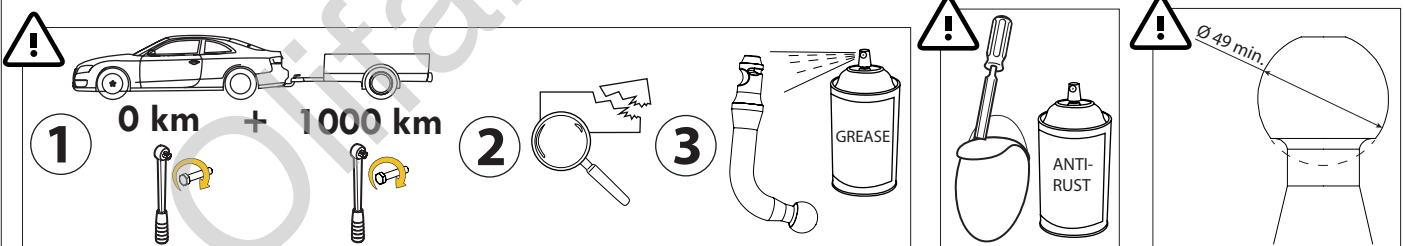
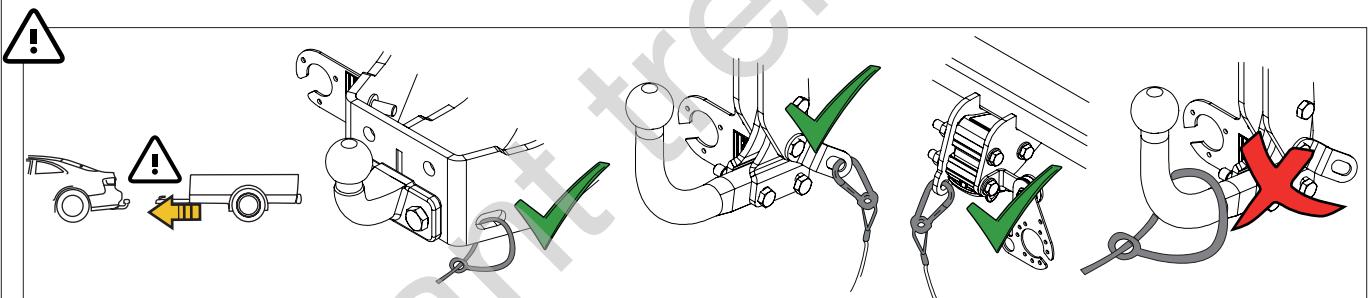
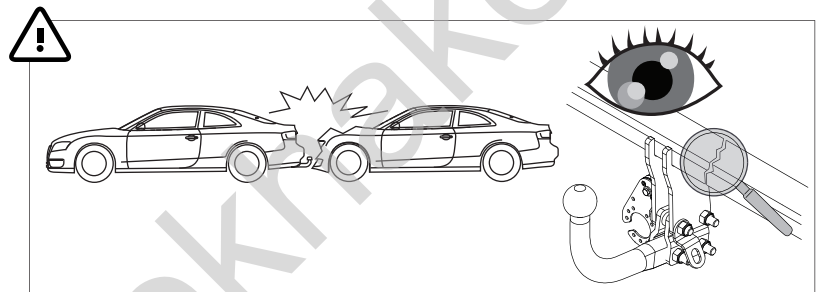
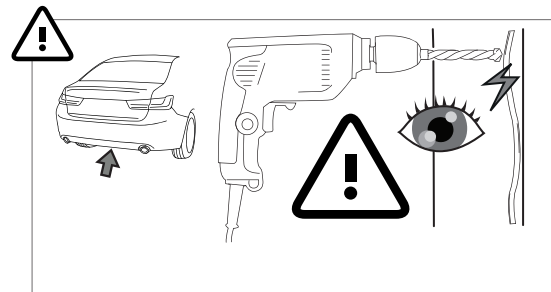
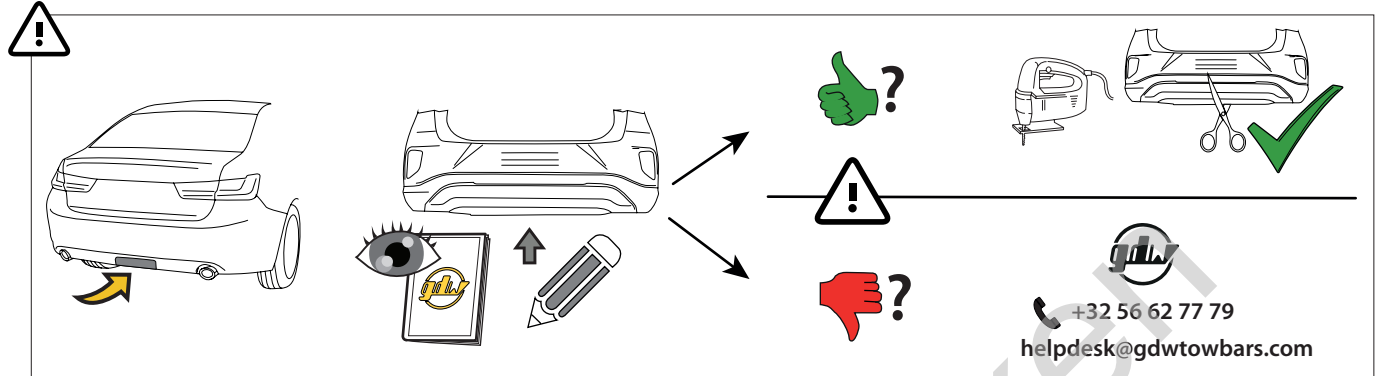
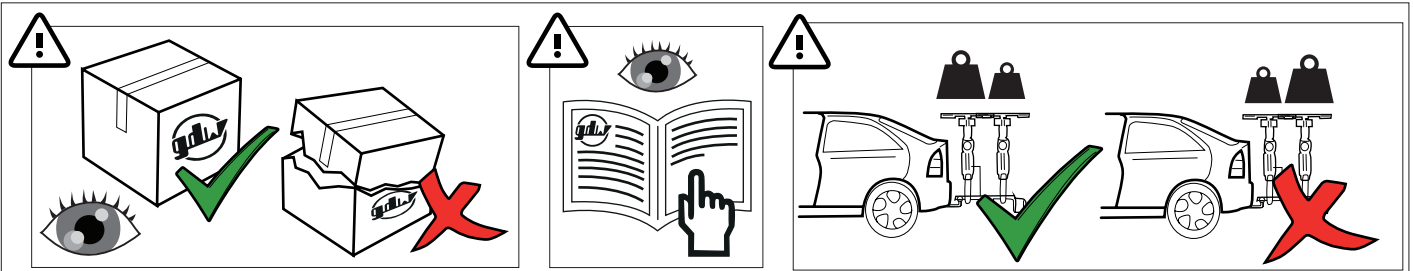



STANDARD


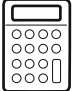


M SPORT PACKAGE





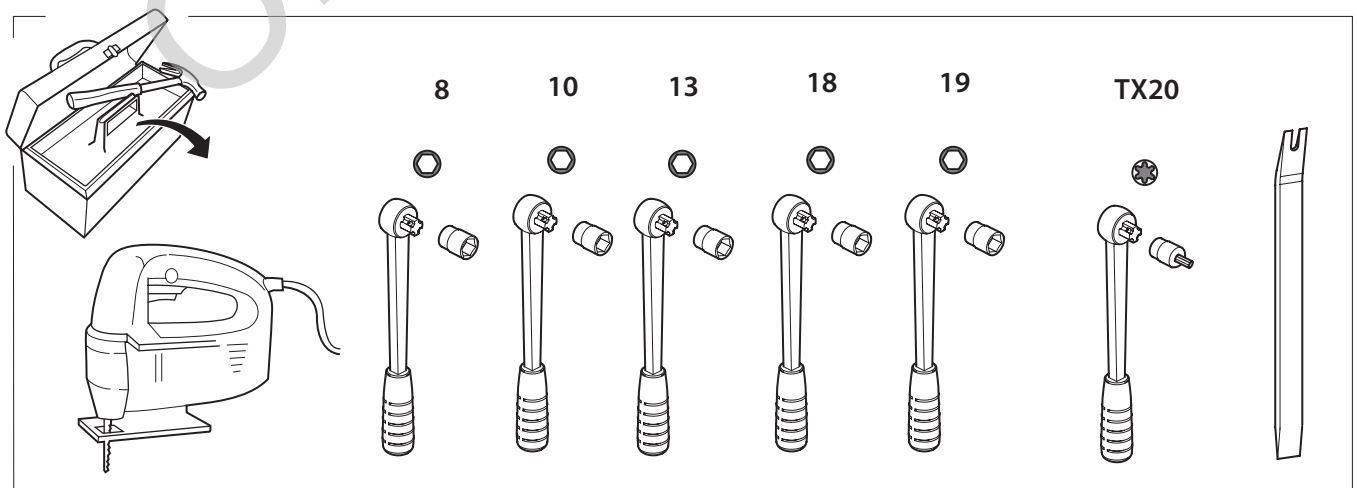
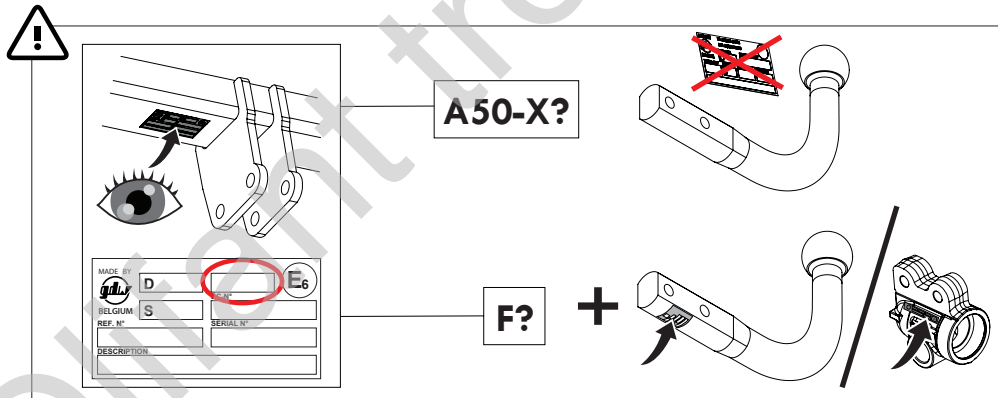
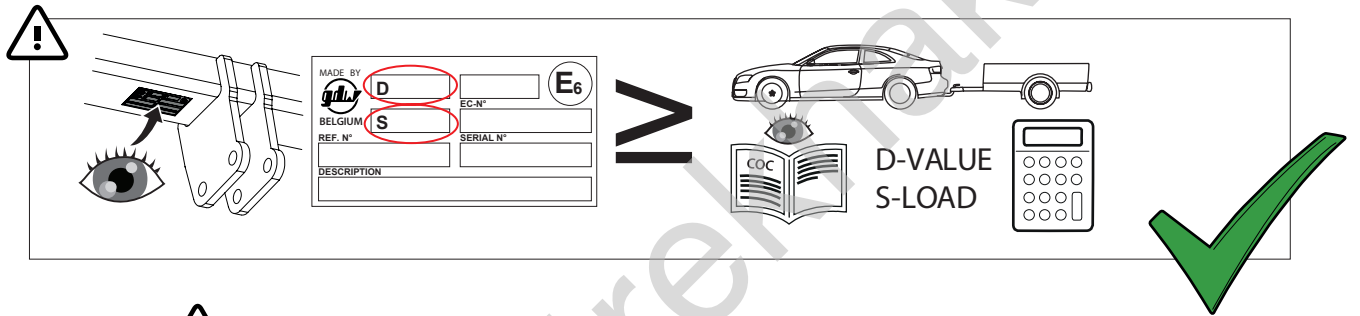
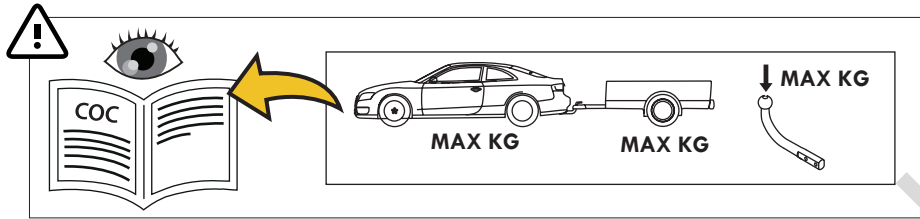
MADE BY 	D 9,50	F	E6
BELGIUM	S 90	EC-N° 55R-02 1721	
REF N° 2682T60		SERIAL N° XXXX	
DESCRIPTION BMW 2 Coupé 08/'21-			

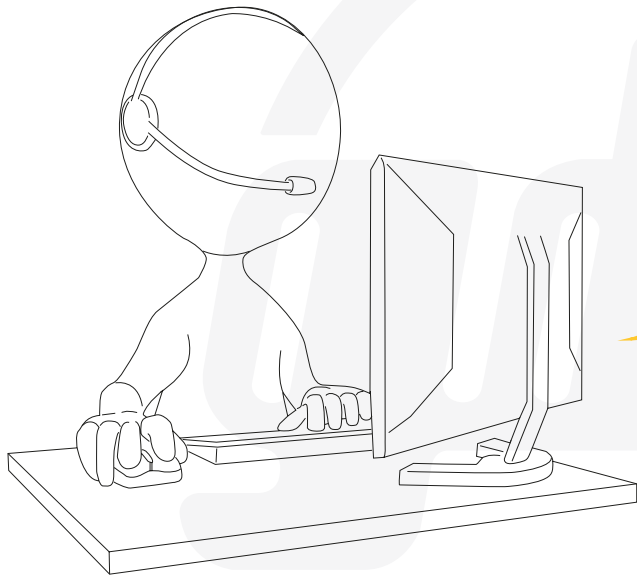
 

$D = \frac{\text{max kg} \times \text{max kg}}{\text{max kg} + \text{max kg}} \times 0.00981 \leq 9,50 \text{ kN}$

$S = \begin{matrix} \leq 90 \text{ kg} \\ \leq 1750 \text{ kg} \end{matrix}$

See the Certificate Of Conformity (COC) of your vehicle or contact your dealer to verify the max. trailer weight of your car!

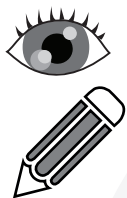




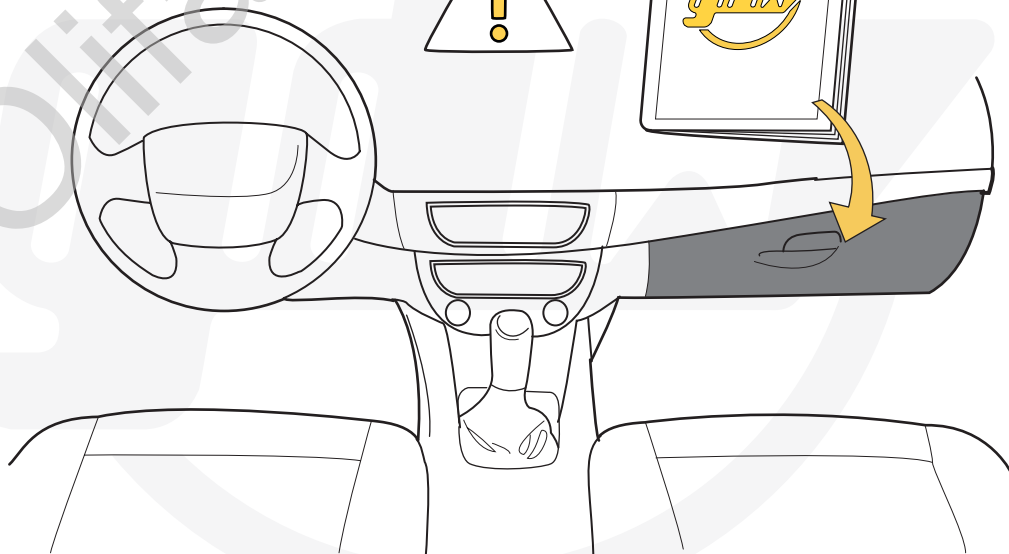
helpdesk@gdwtowbars.com

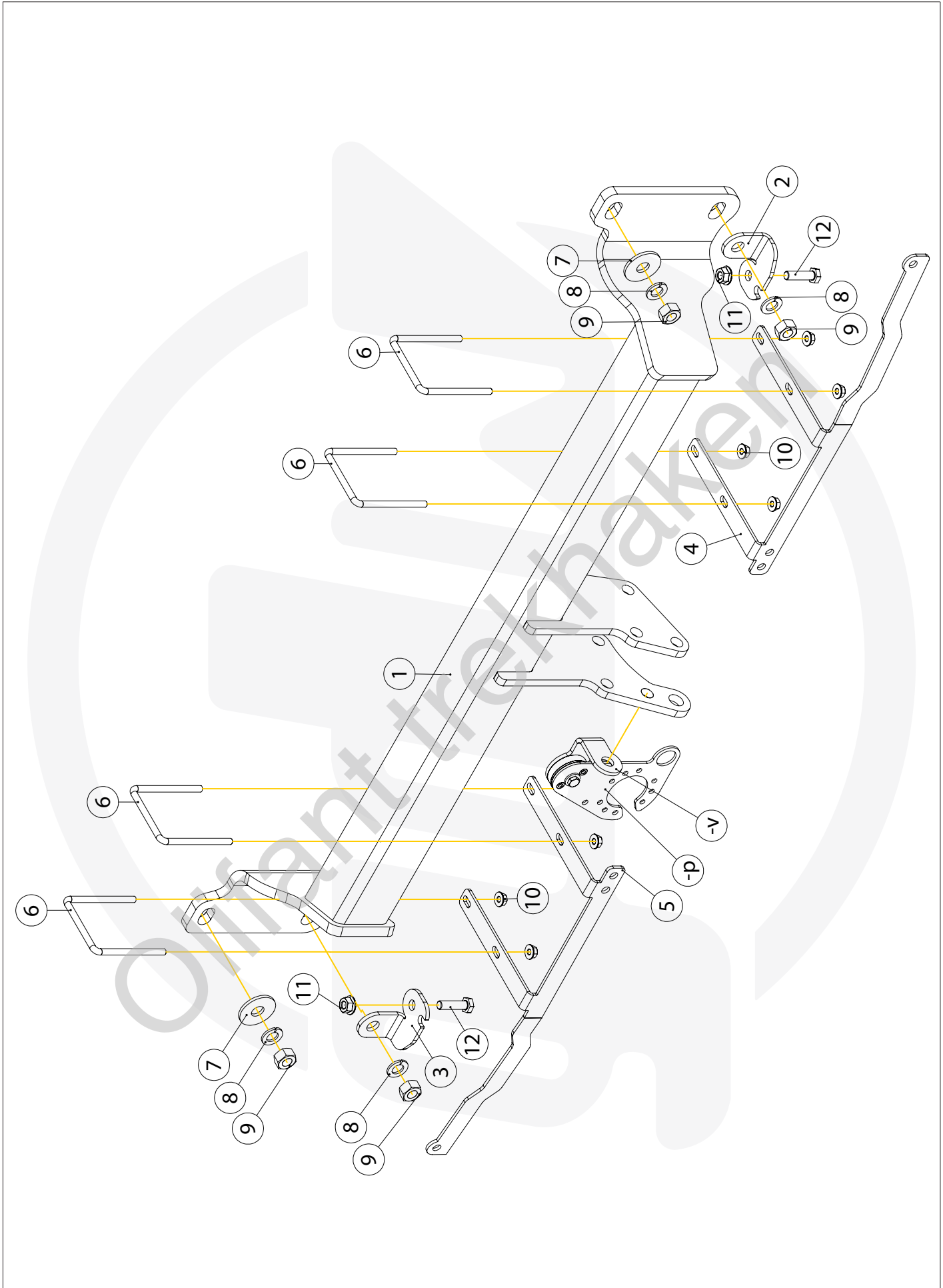
+32 56 62 77 79

Monday	08:00 - 12:00	12:30 - 16:30
Tuesday	08:00 - 12:00	12:30 - 16:30
Wednesday	08:00 - 12:00	12:30 - 16:30
Thursday	08:00 - 12:00	12:30 - 16:30
Friday	08:00 - 12:00	12:30 - 15:30

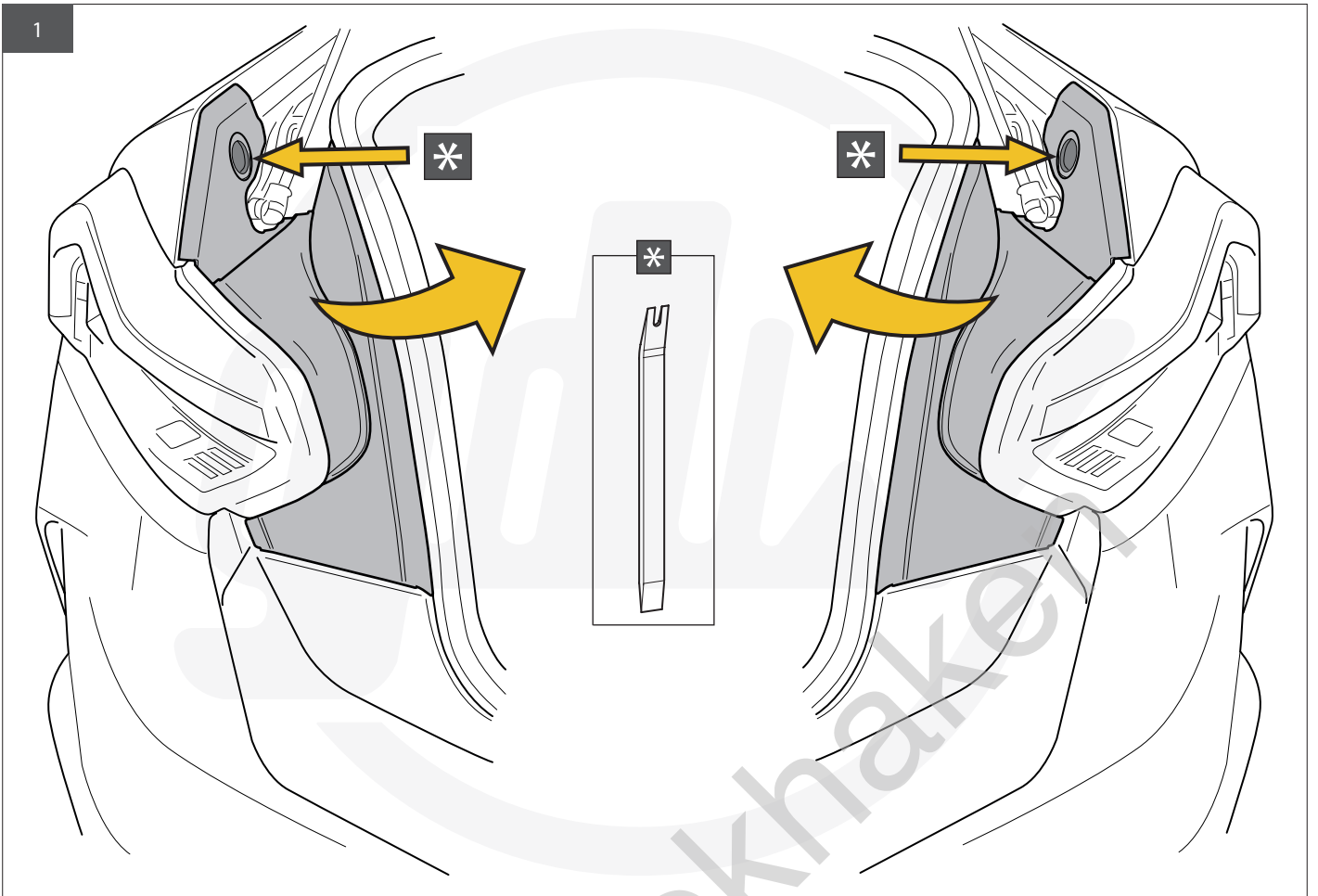


KEY NUMBER

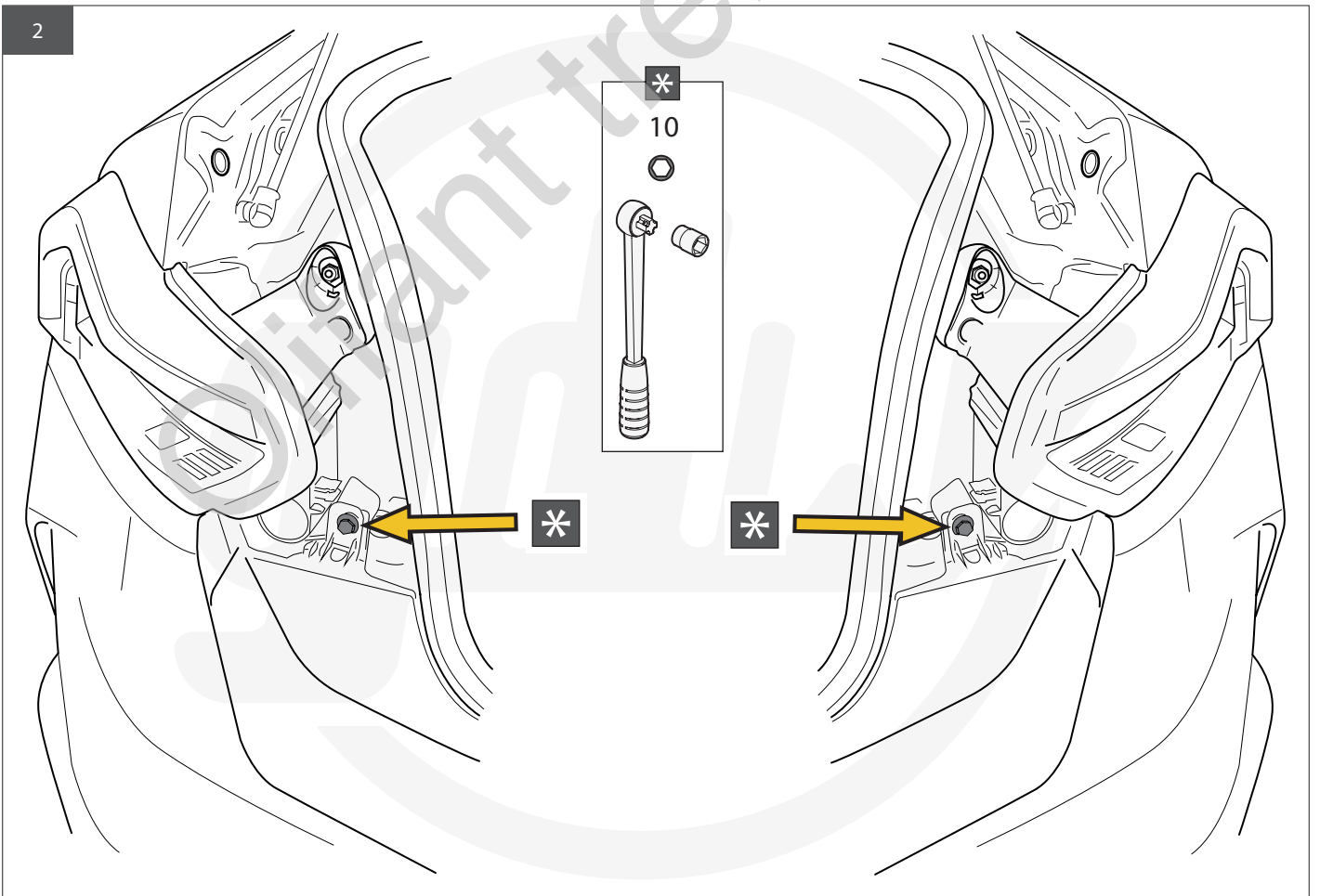


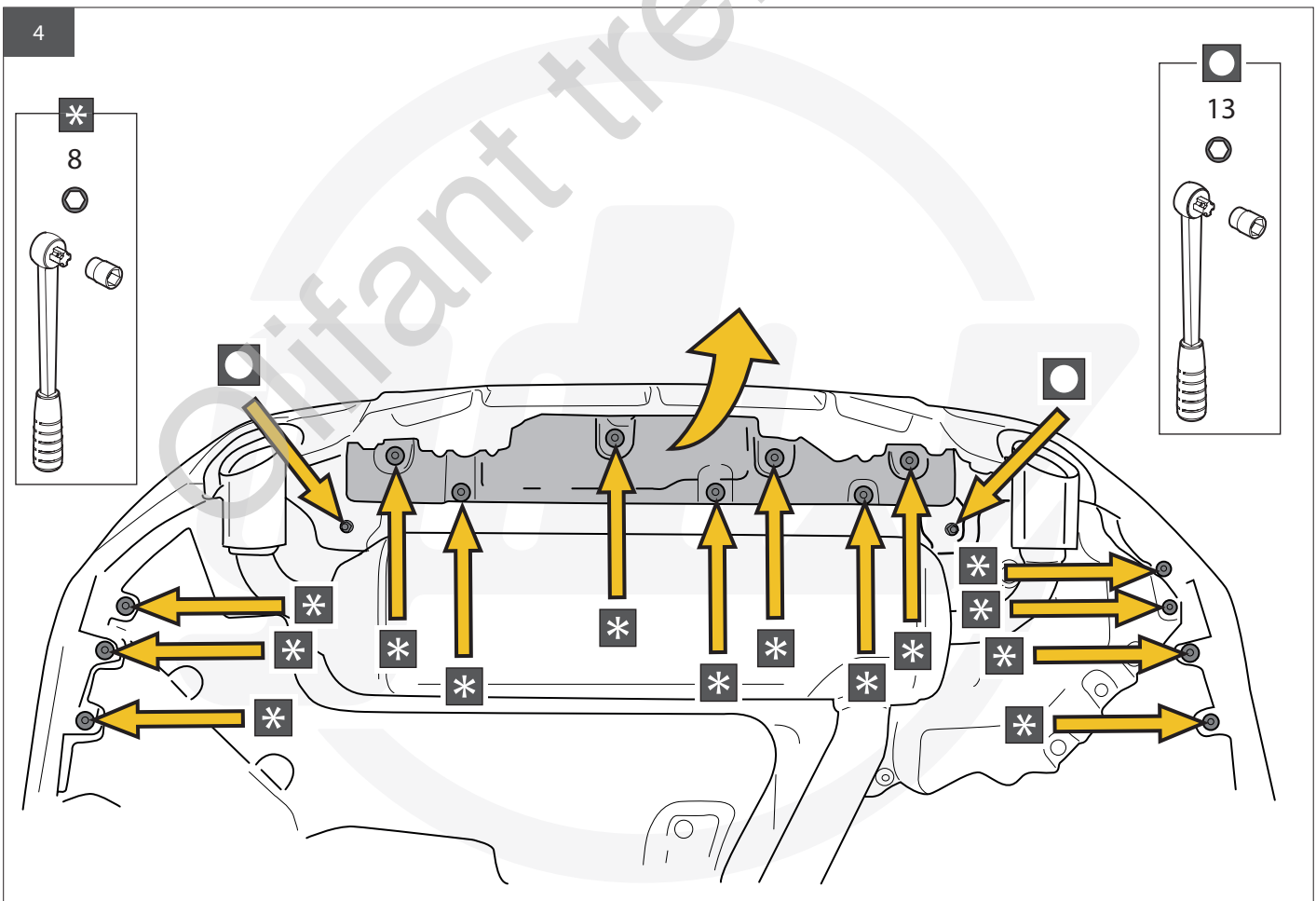
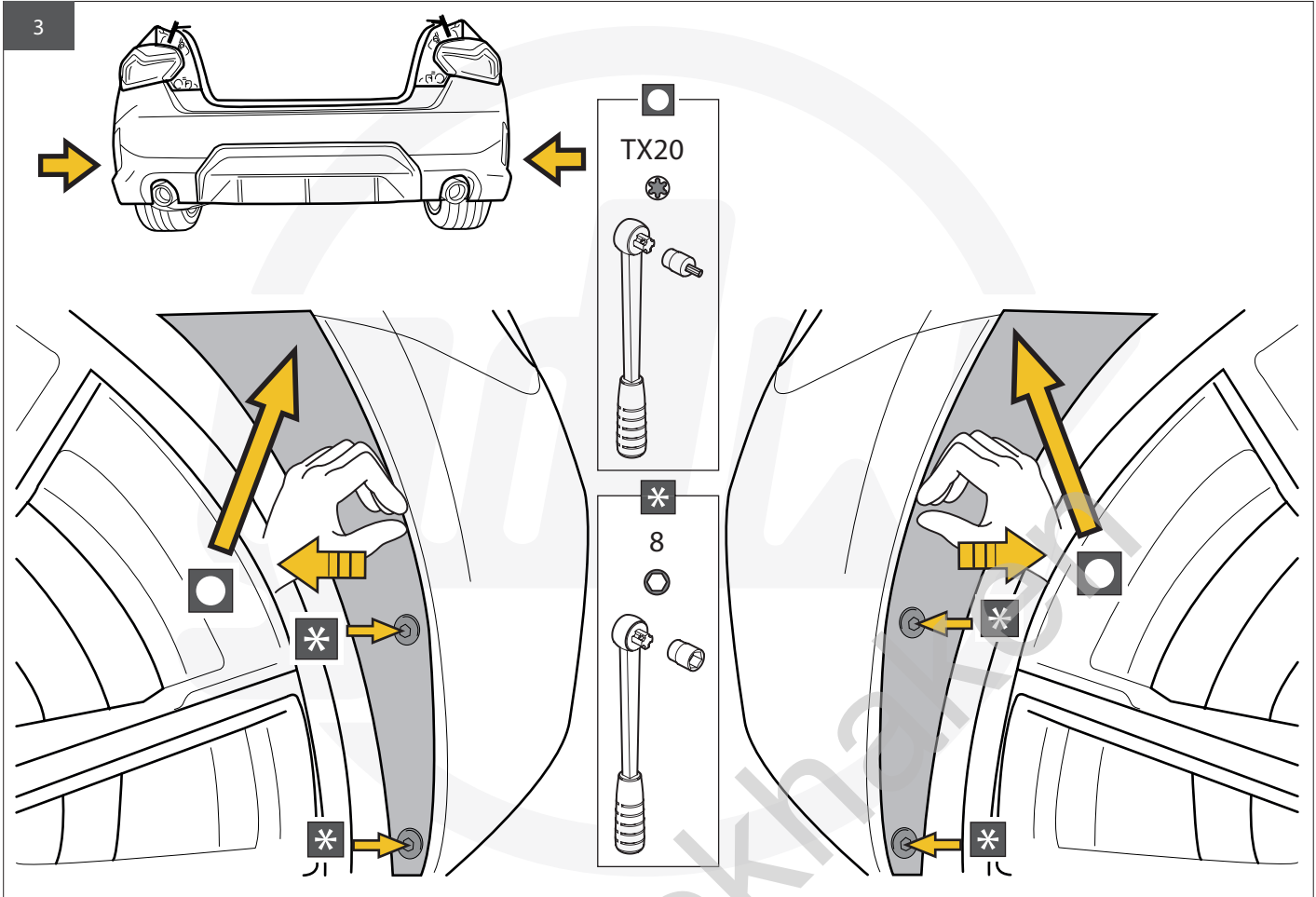


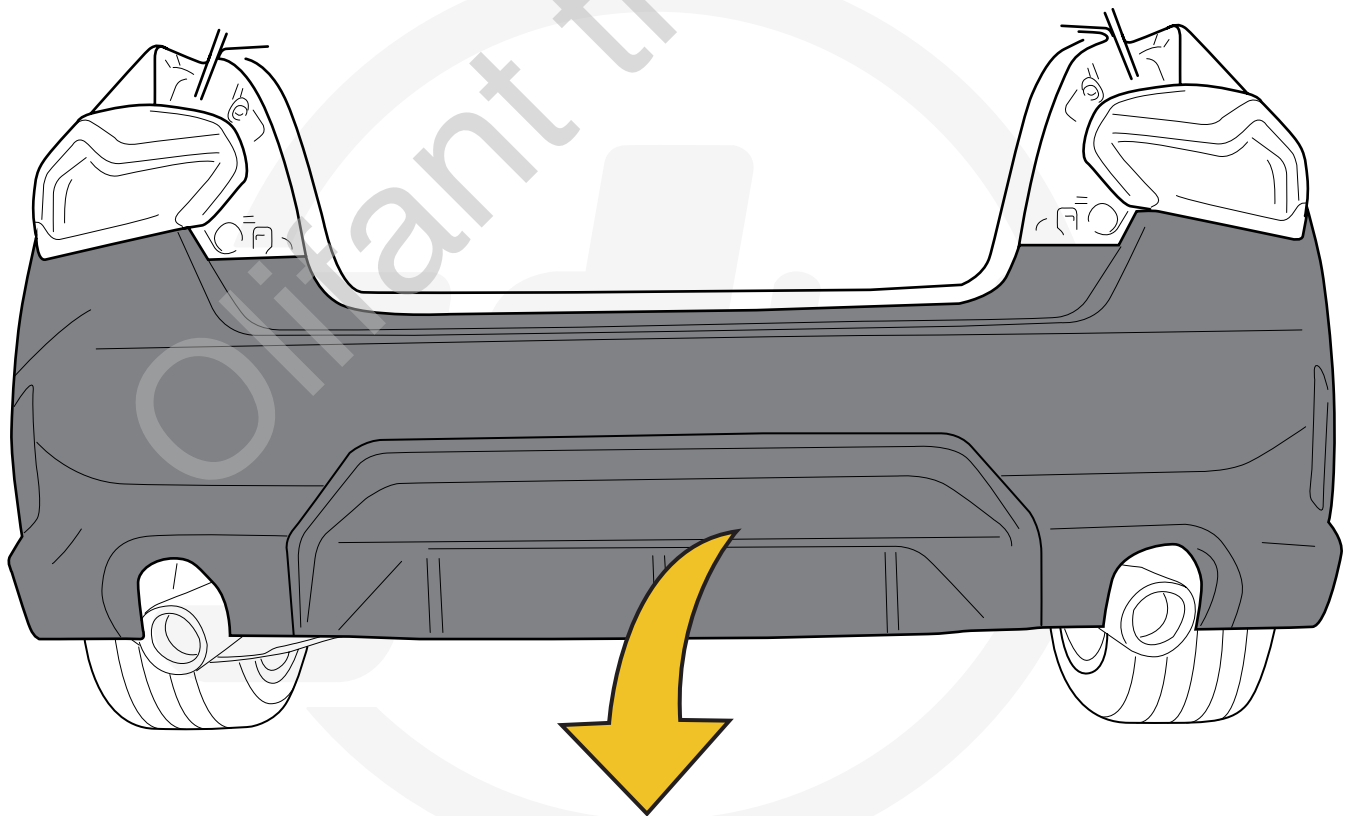
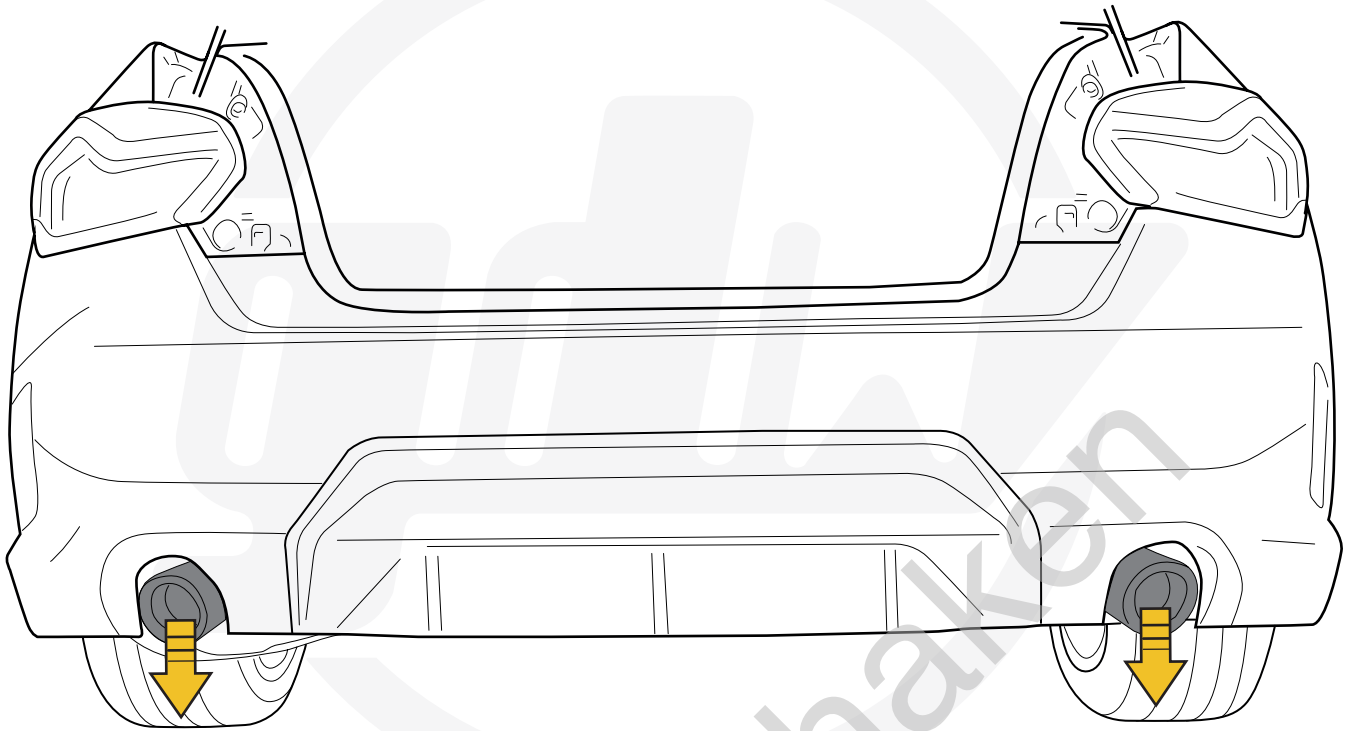
1



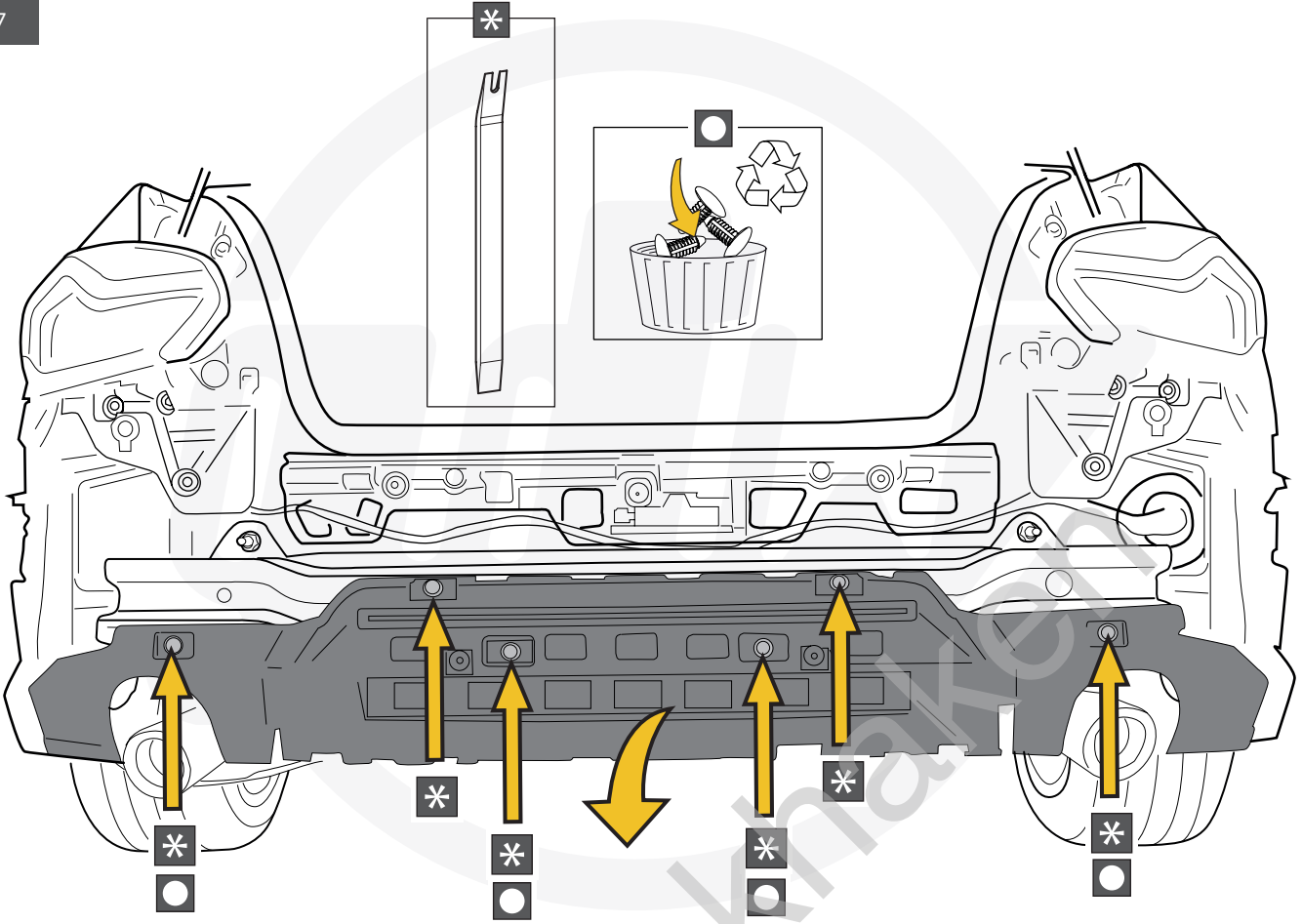
2



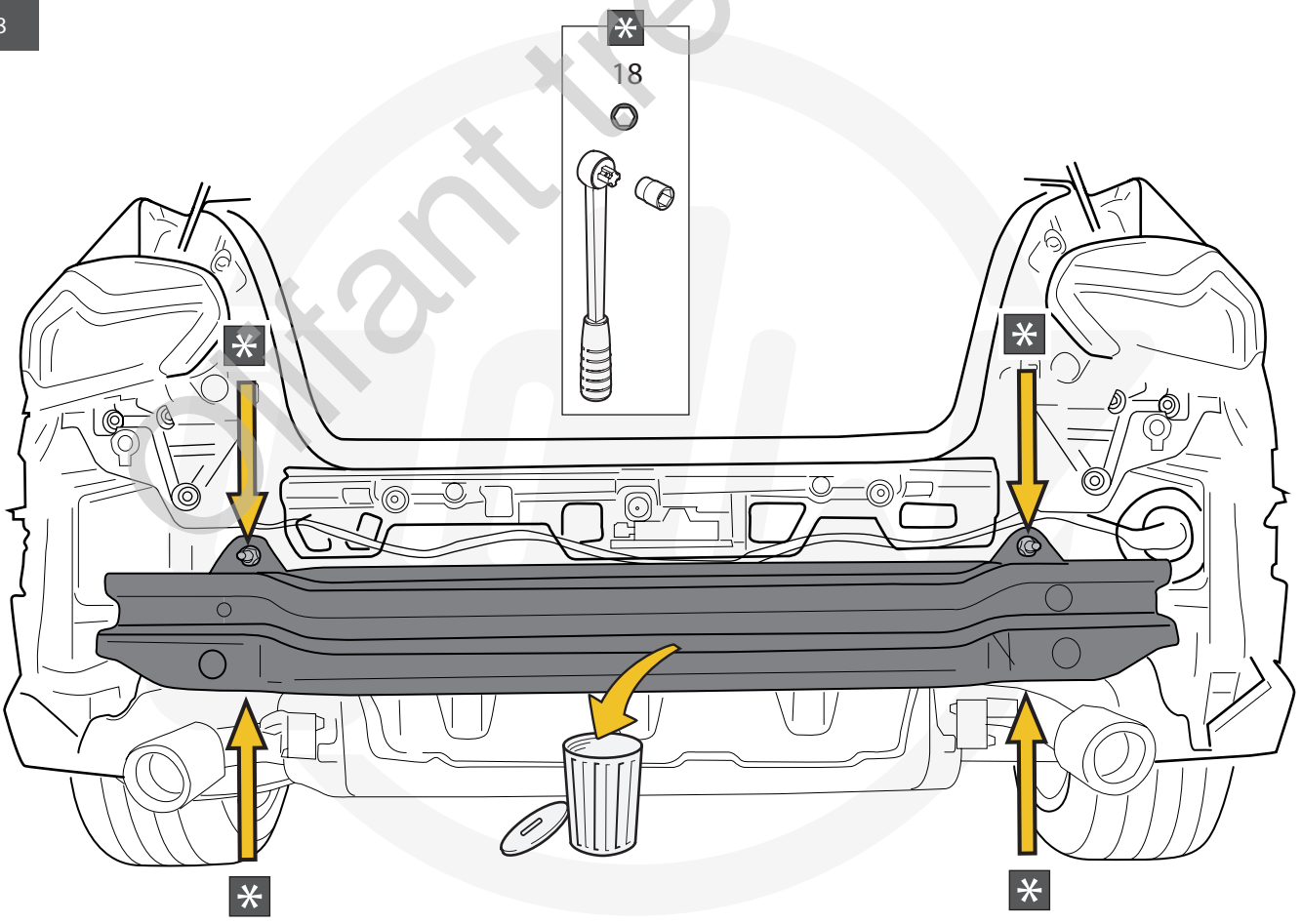


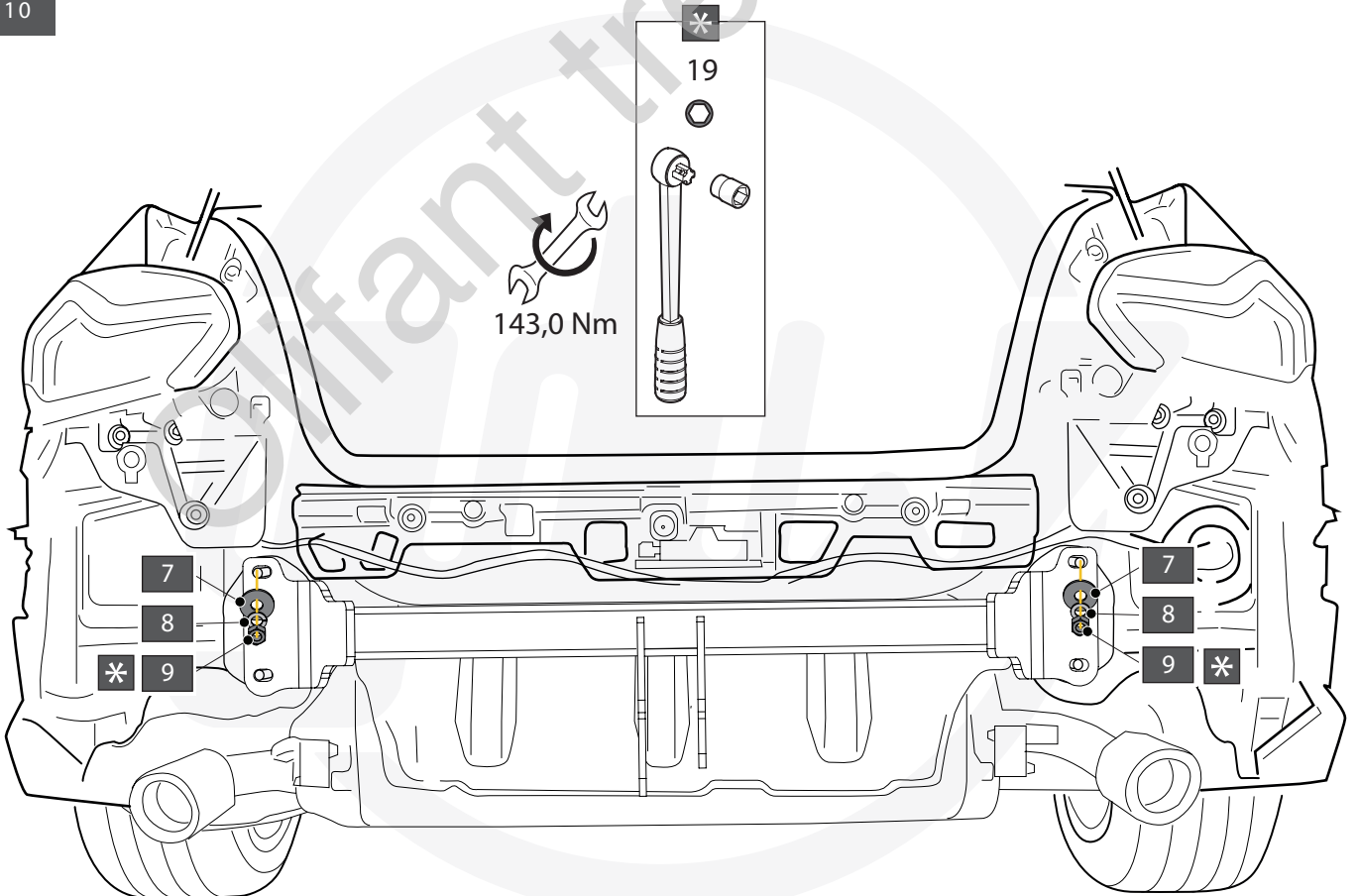
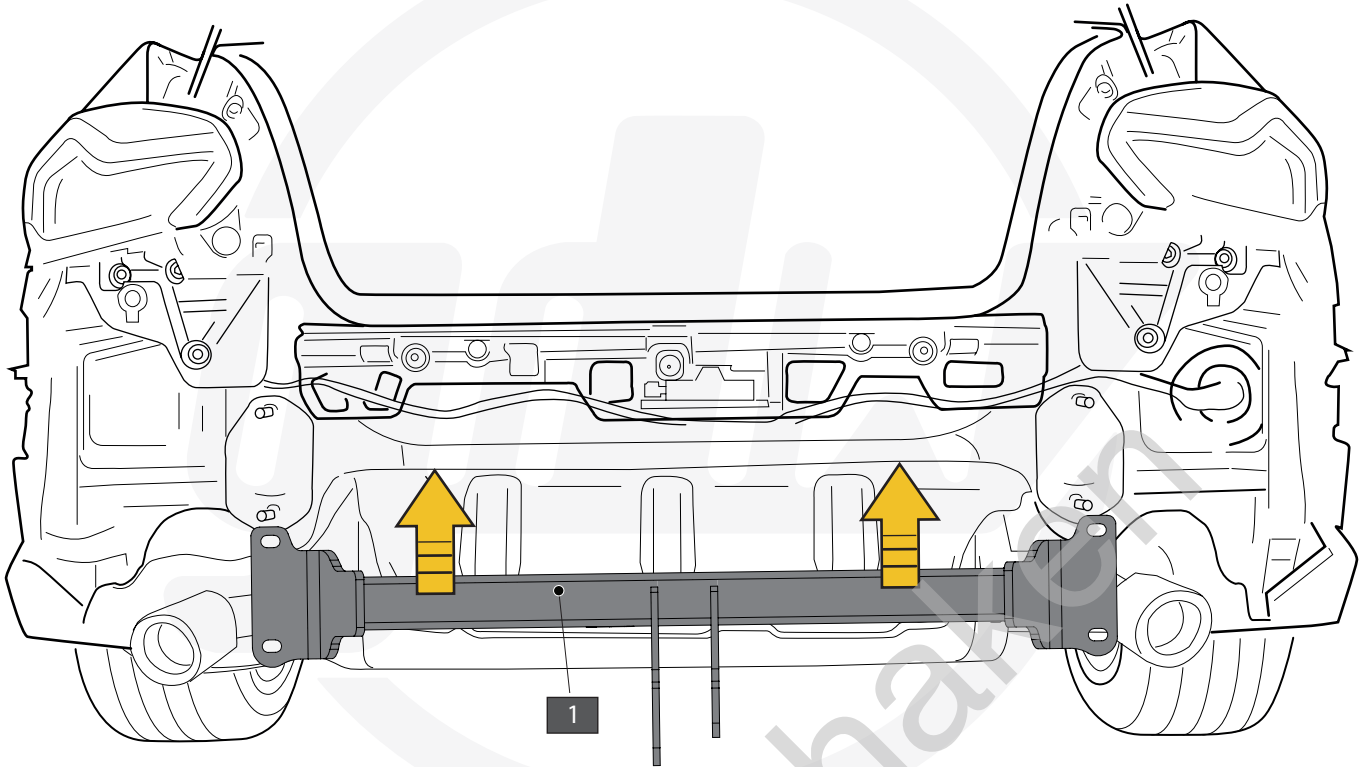


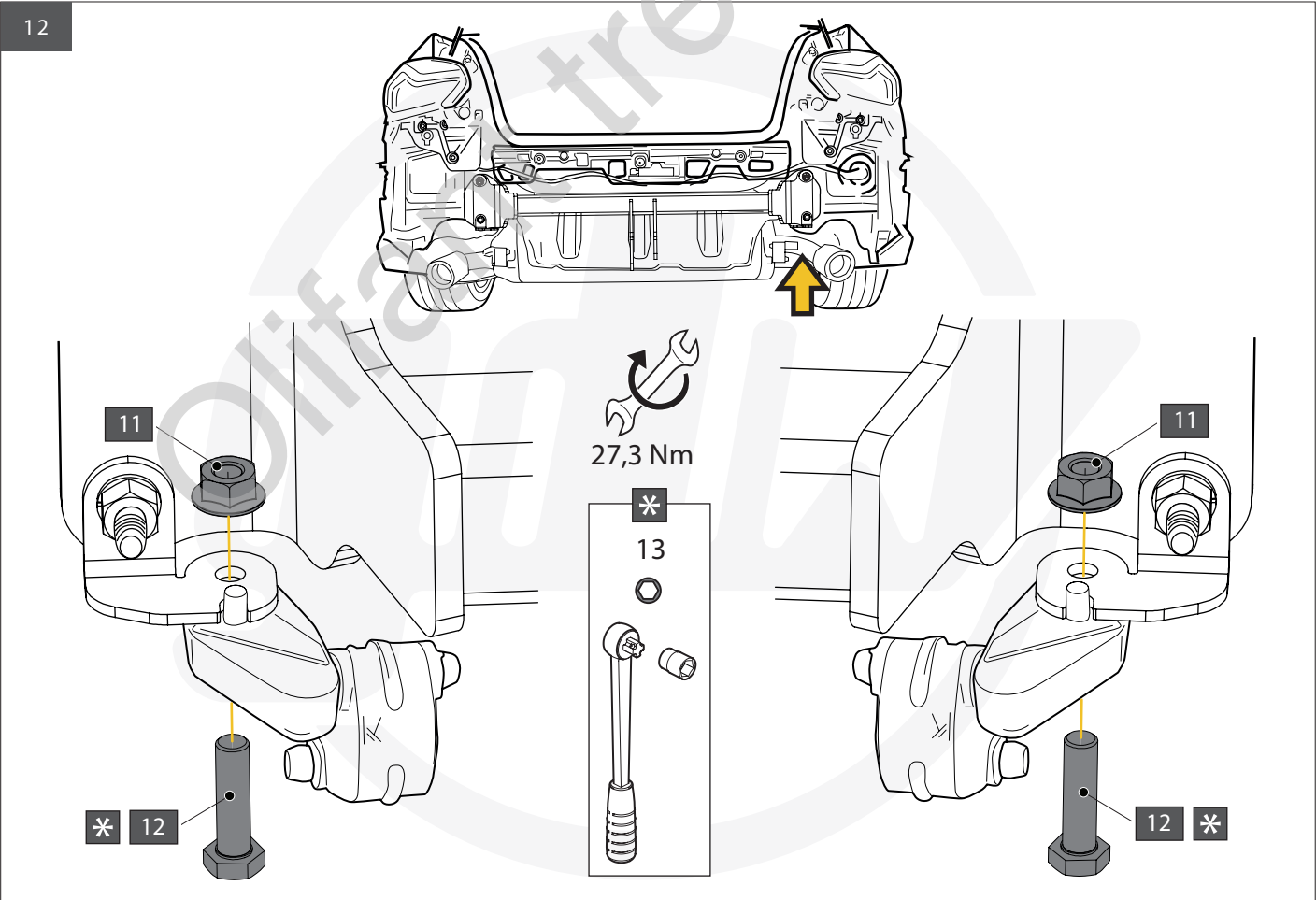
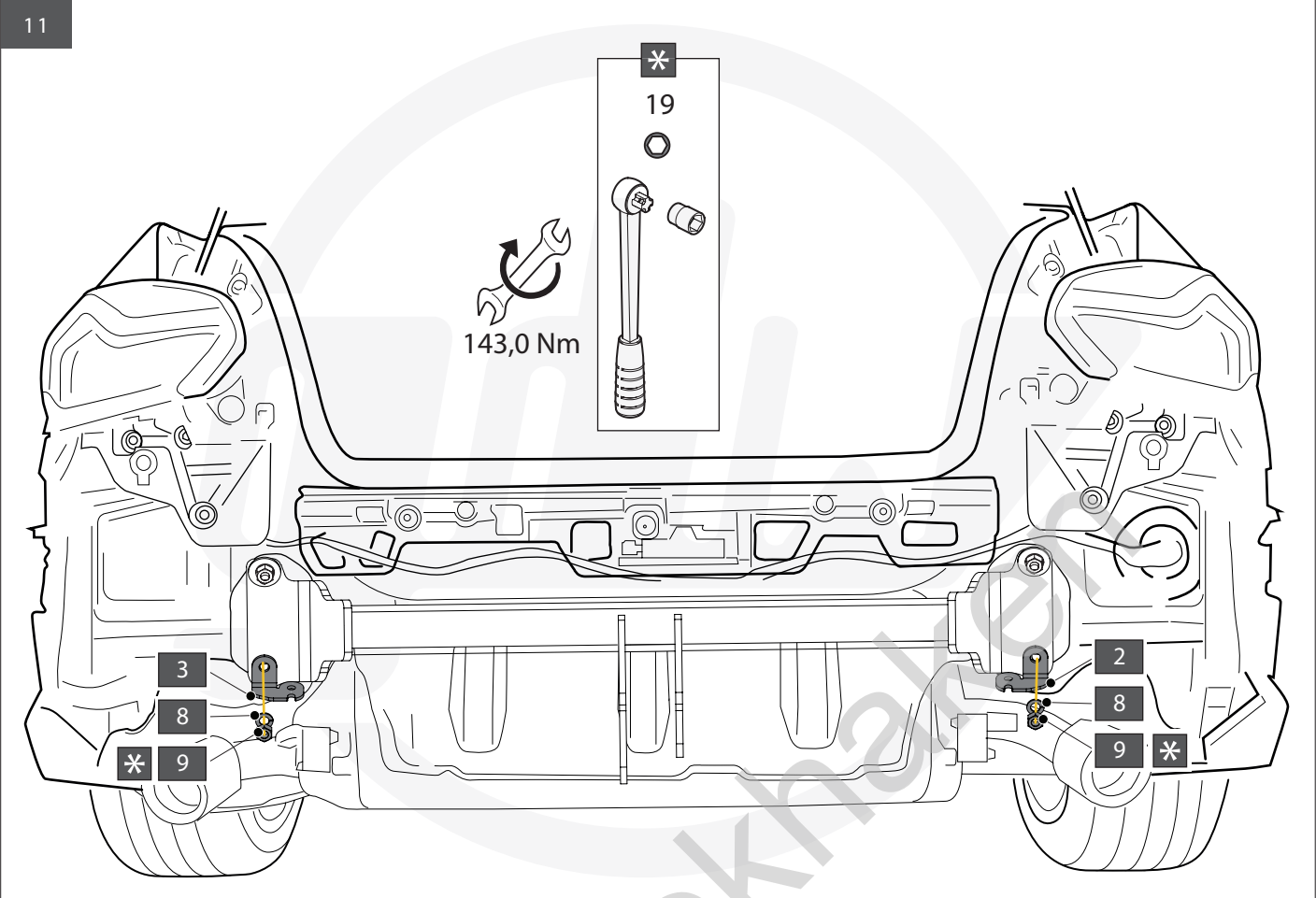
7

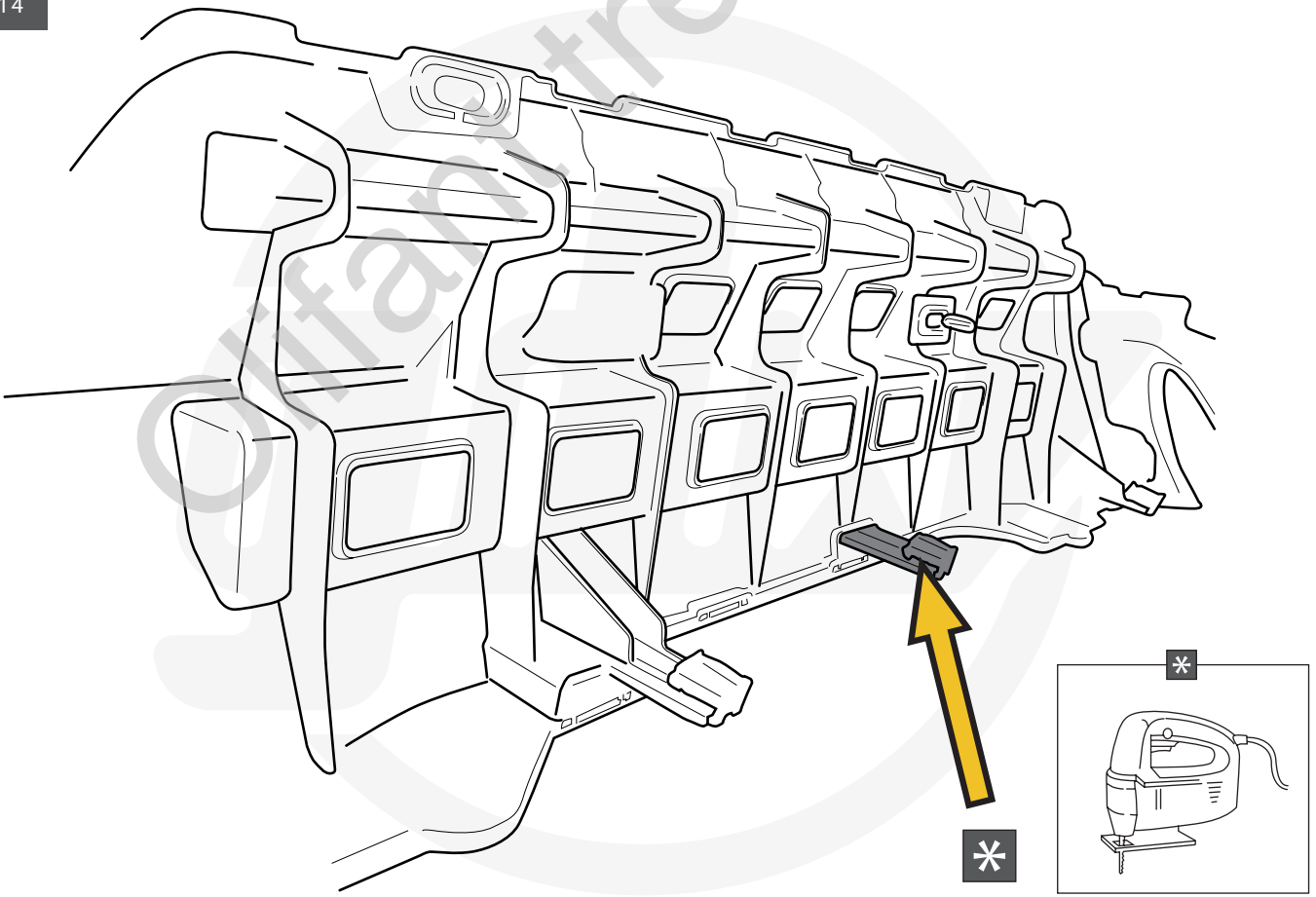
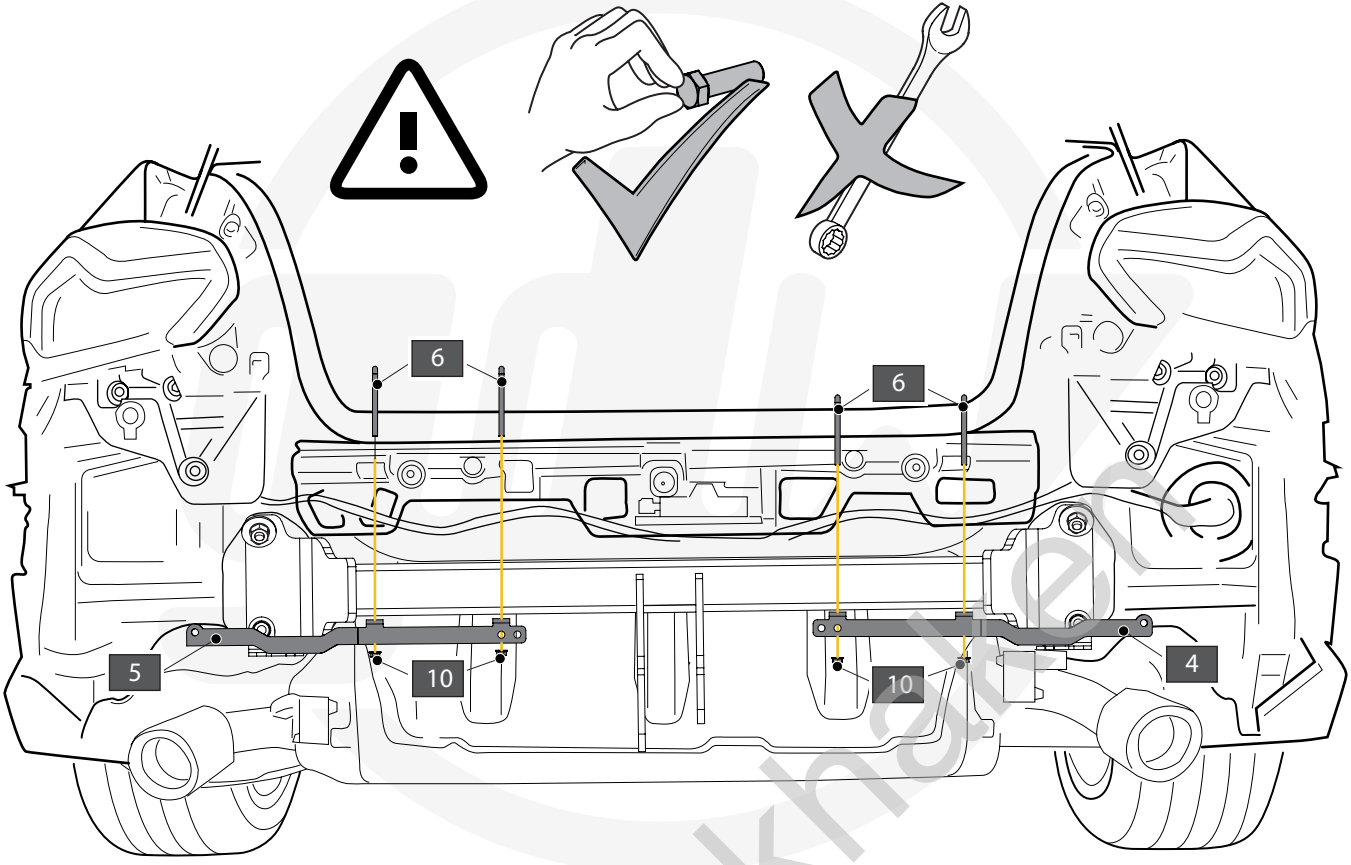


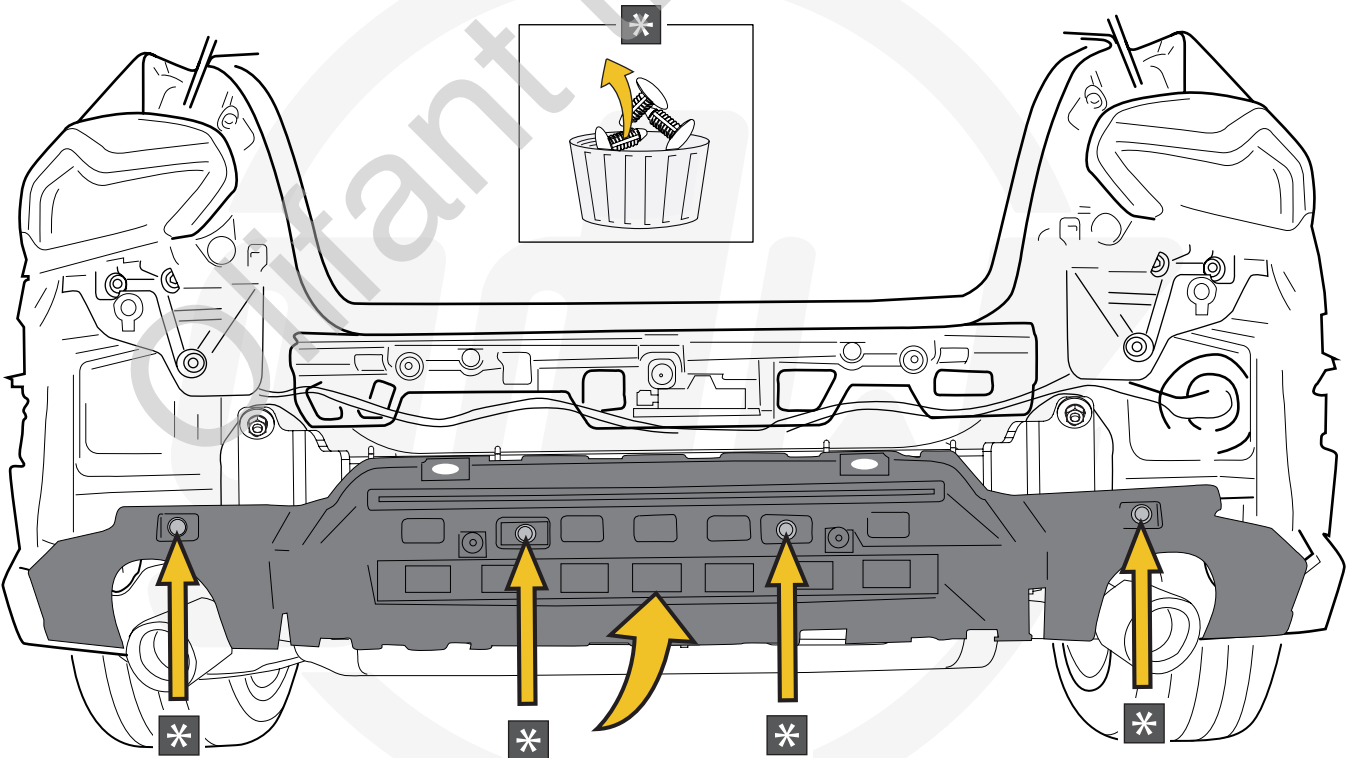
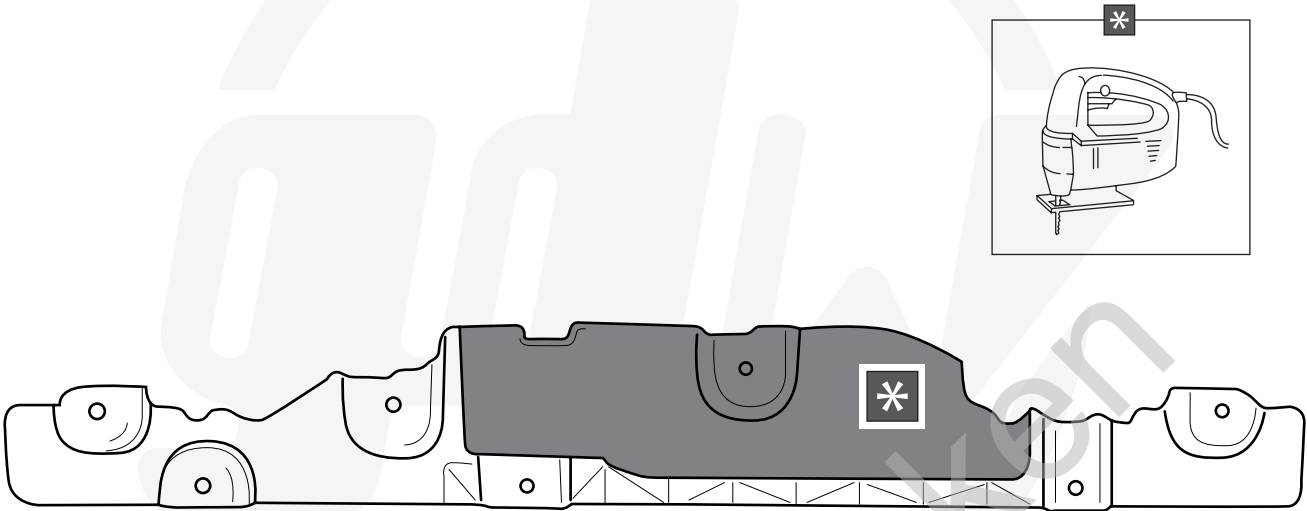
8











A		X1	GDW REF. 908.095
B		X1	DIN985-M6
C		X2	6,2 X 15,4 X 1,6 (NYLON)
D		X1	GDW REF. 718.16.002
E		X1	GDW REF. 718.16.003
F		X1	GDW REF. 908.094
G		X1	DIN933-M6 X 30

A		X1	GDW REF. 912.003
B		X3	DIN931-M12X110-8.8
C		X3	DIN128A-M12
D		X6	DIN125A-M12
E		X3	DIN934-M12

