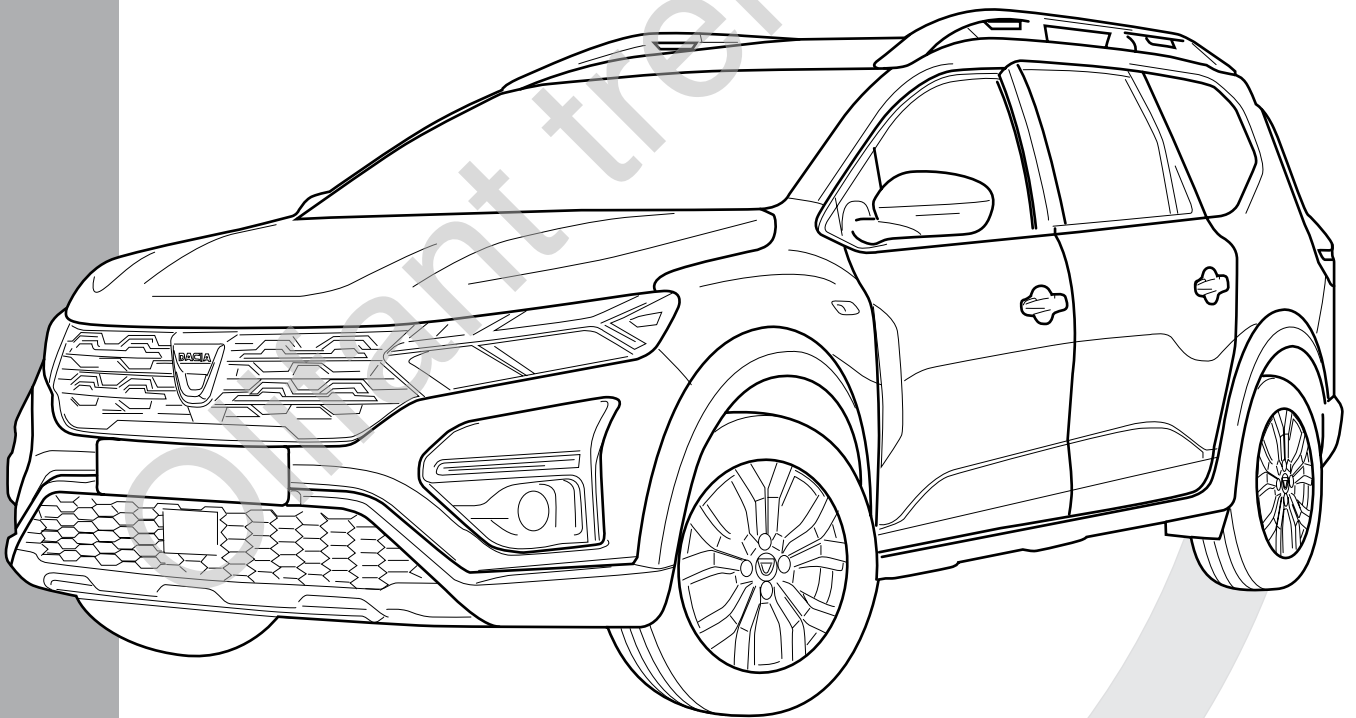


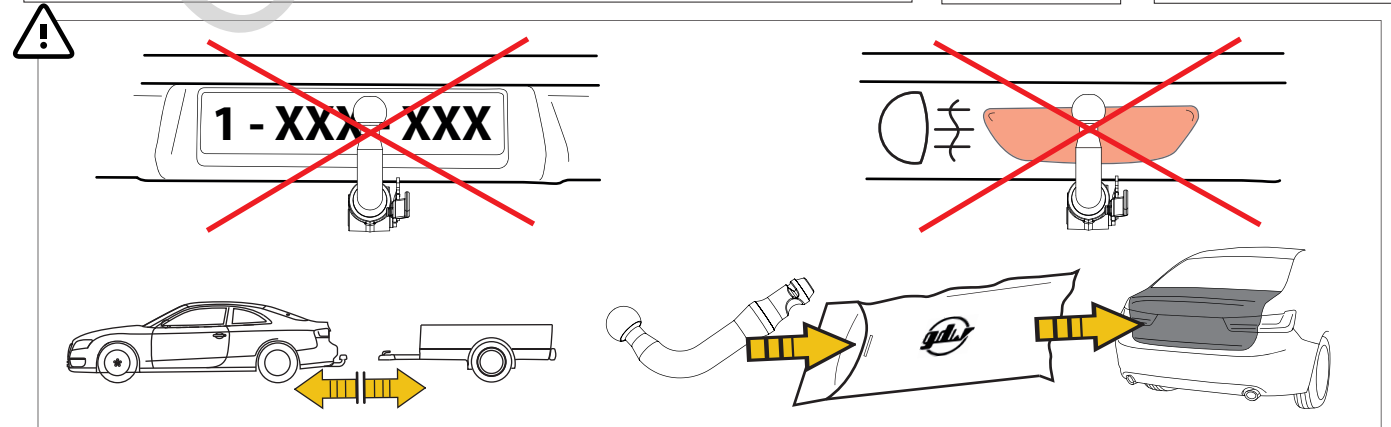
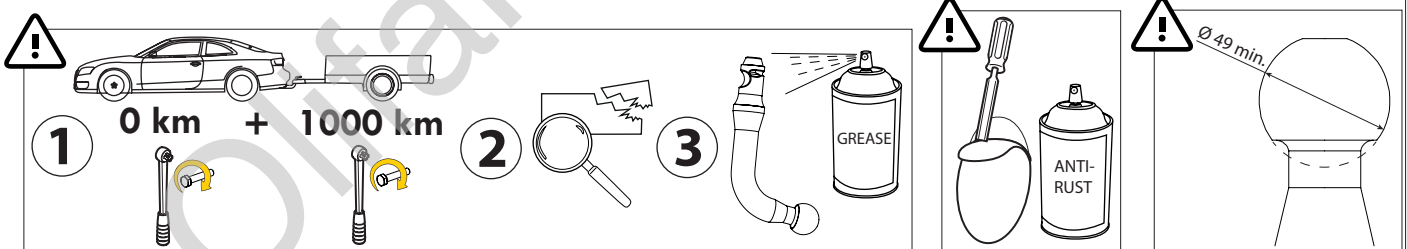
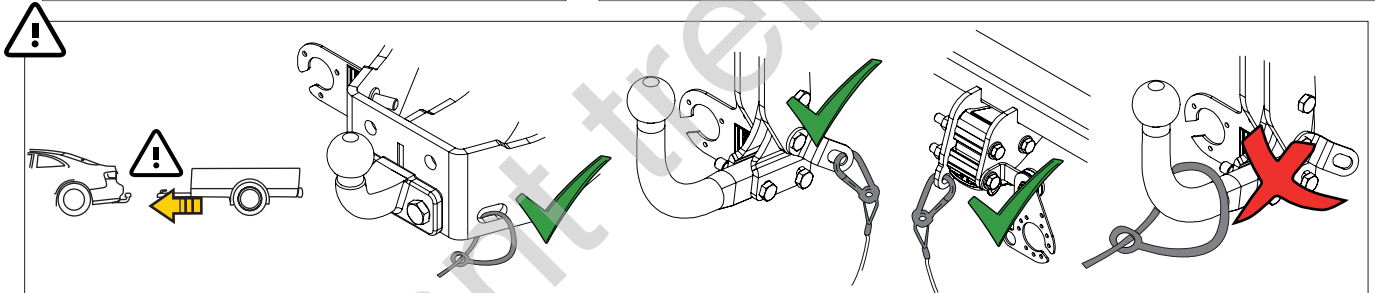
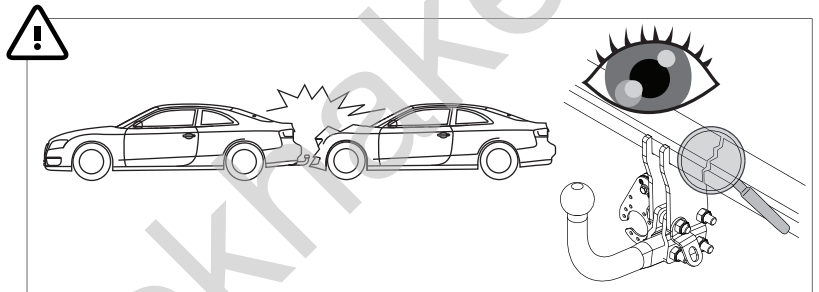
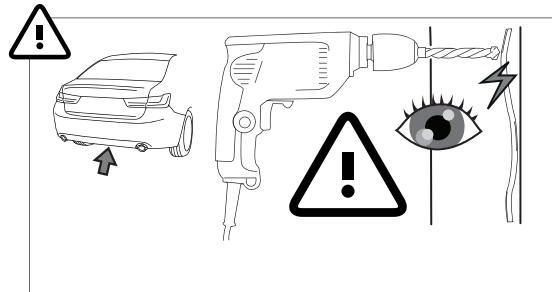
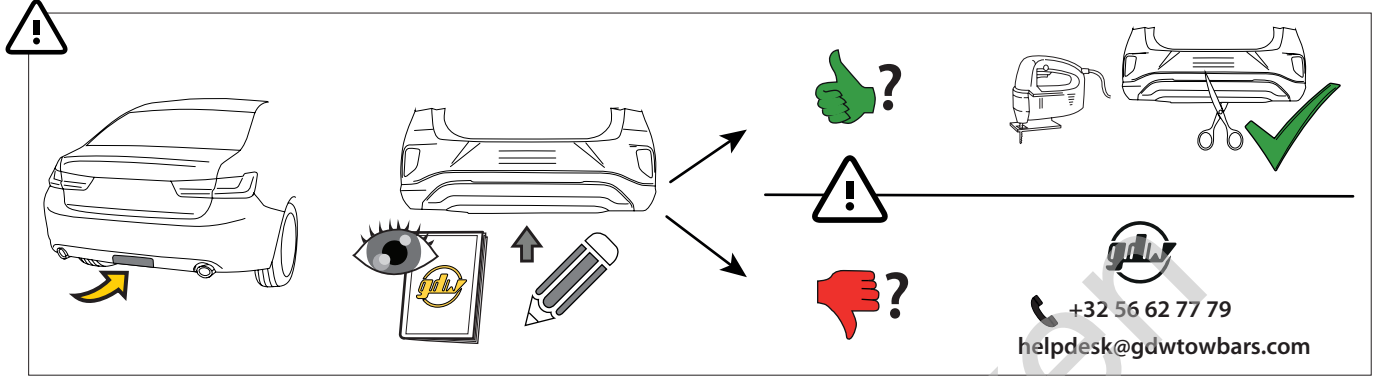
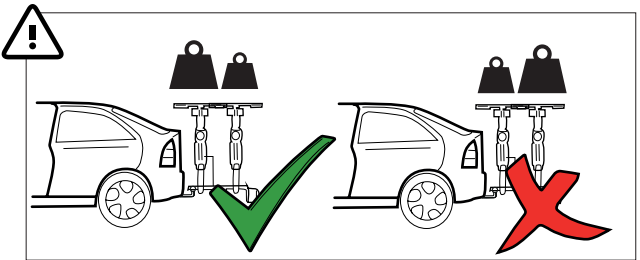
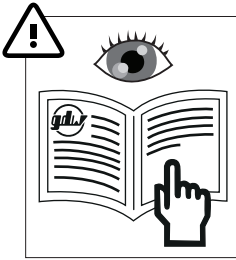
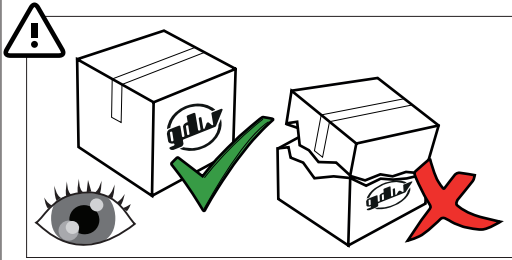


## Dacia Jogger

03/'22-

- ✓ STANDARD
- ✓ 5 OR 7 SEATS
- ✓ LPG
- ✓ SPARE WHEEL
- ✓ HYBRID



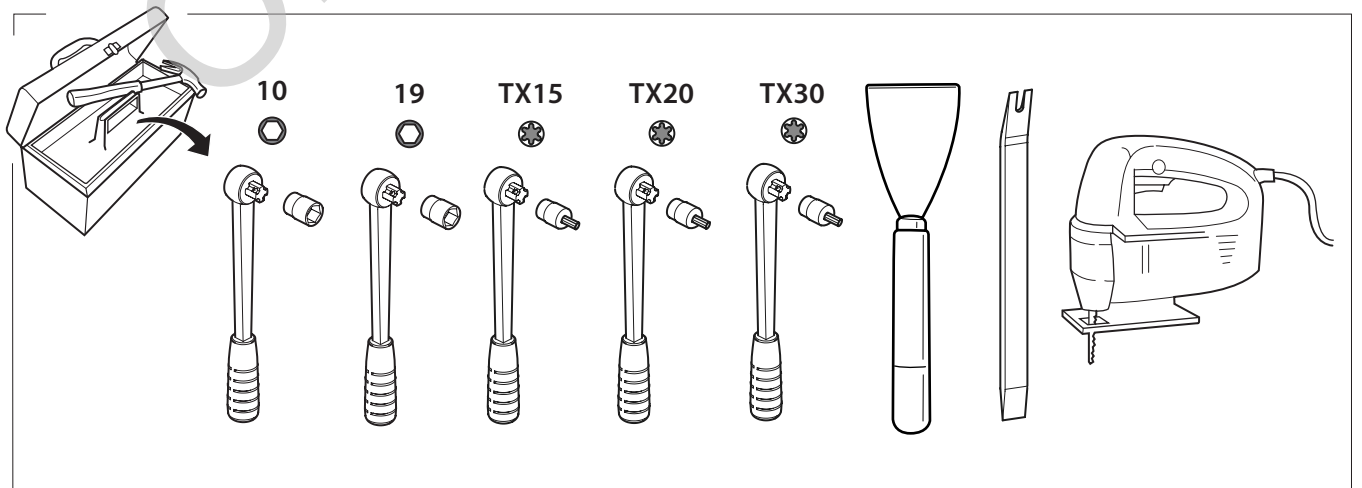
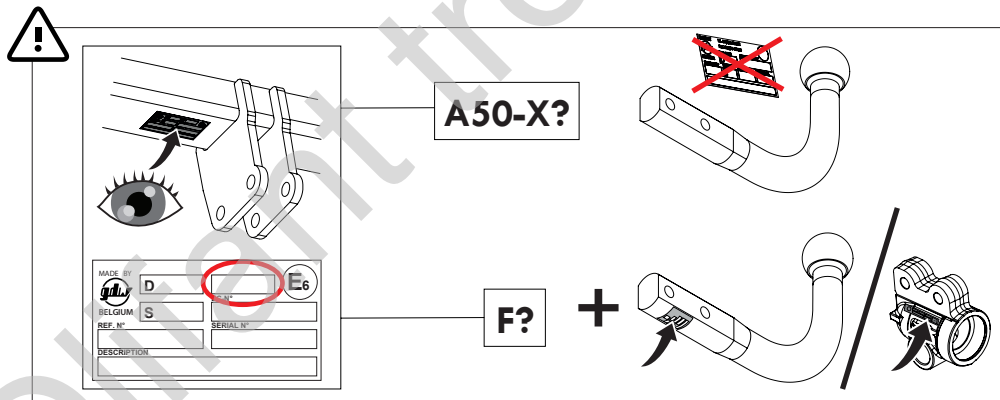
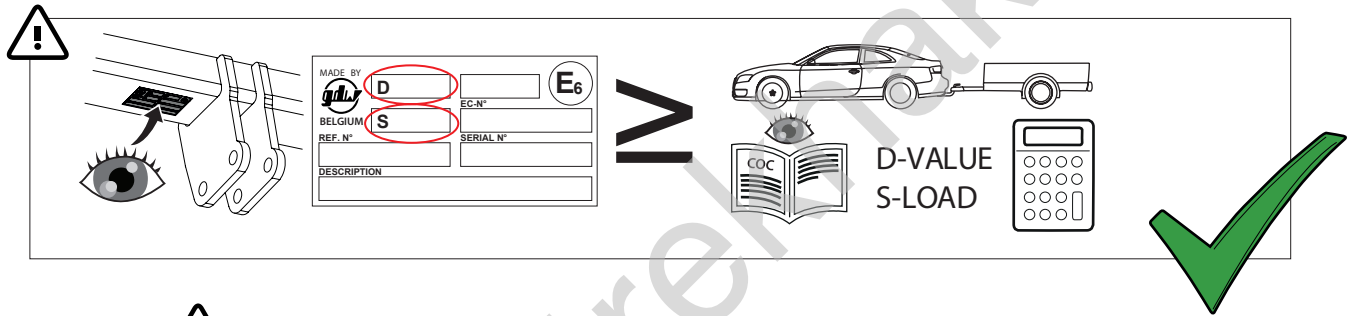
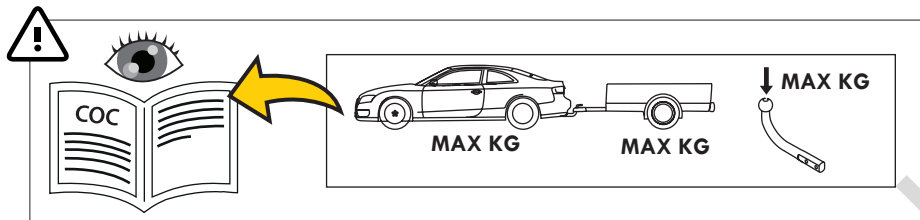


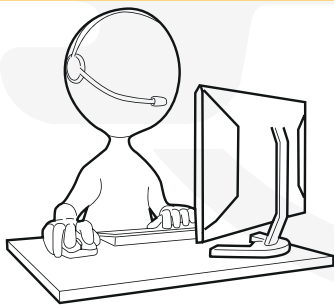
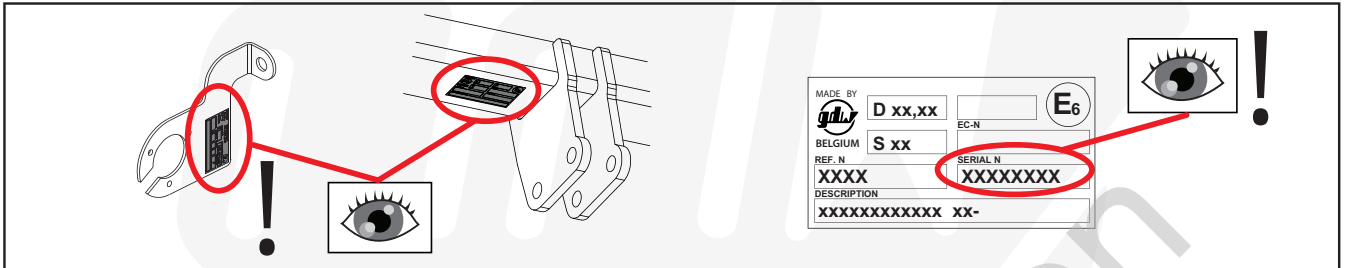
MADE BY 	<b>D 8,00</b>	<b>F</b>	<b>E6</b>
BELGIUM	<b>S 95</b>	EC-N° 55R-02 1741	
REF N° 2677		SERIAL N° XXXX	
<b>DESCRIPTION</b> Dacia Jogger			

$$D = \frac{\text{max kg (car)} \times \text{max kg (trailer)}}{\text{max kg (car)} + \text{max kg (trailer)}} \times 0.00981 \leq 8,00 \text{ kN}$$

S = ≤ 95 kg      ≤ 1400 kg

See the Certificate Of Conformity (COC) of your vehicle or contact your dealer to verify the max. trailer weight of your car!

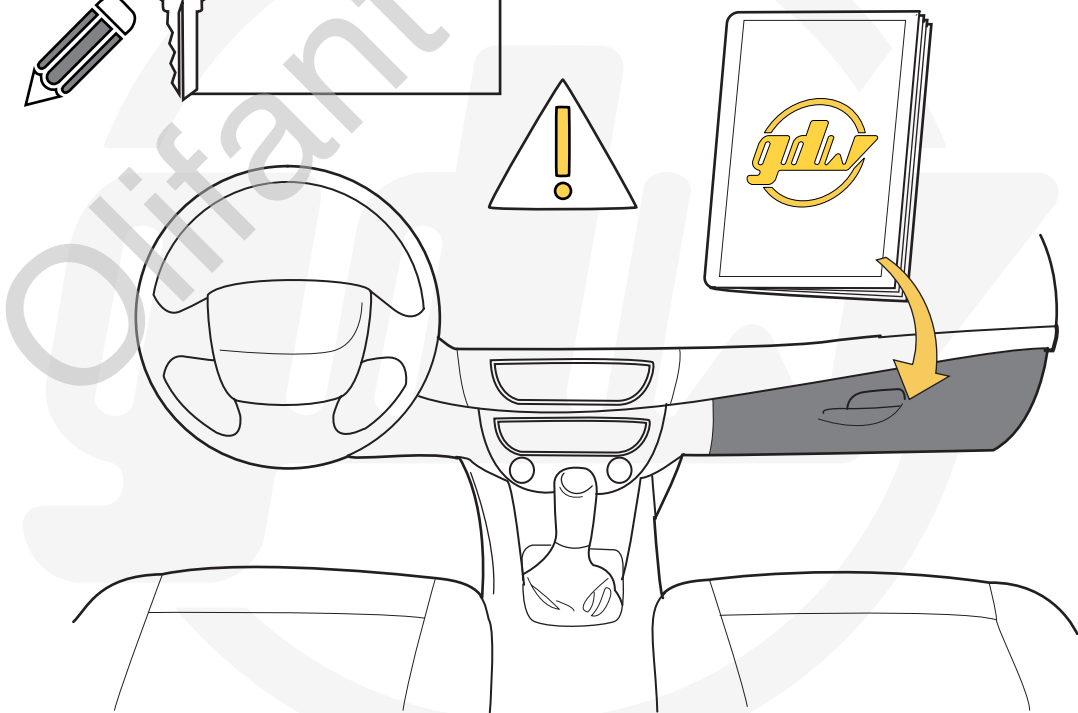


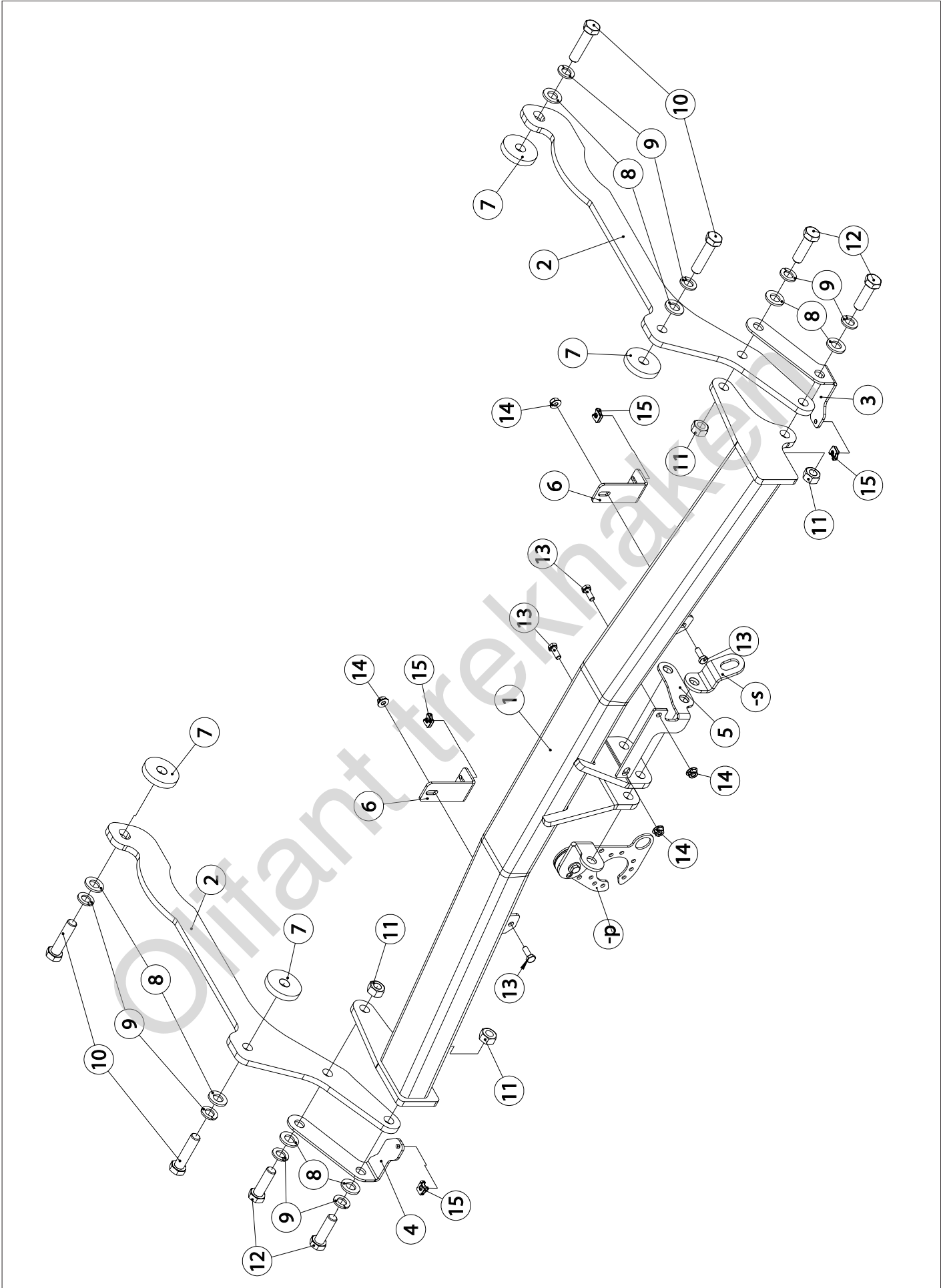


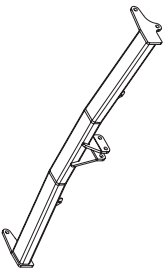
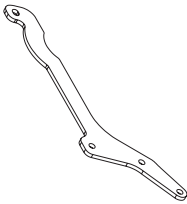
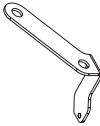
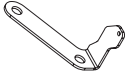
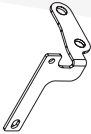
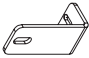


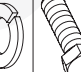
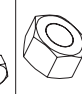



[helpdesk@gdwtowbars.com](mailto:helpdesk@gdwtowbars.com)




+32 56 62 77 79

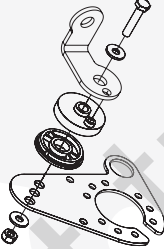




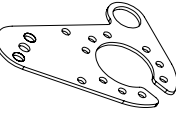
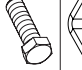

Monday	08:00 - 12:00	12:30 - 16:30
Tuesday	08:00 - 12:00	12:30 - 16:30
Wednesday	08:00 - 12:00	12:30 - 16:30
Thursday	08:00 - 12:00	12:30 - 16:30
Friday	08:00 - 12:00	12:30 - 15:30

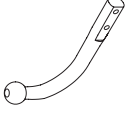


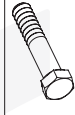






1		X1	GDW REF. 2677
2		X2	GDW REF. 2
3		X1	GDW REF. 3
4		X1	GDW REF. 4
5		X1	GDW REF. 5
6		X2	GDW REF. 6
7		X4	GDW REF. 7
8		X8	DIN125-A12-140HV-ELVZ
9		X8	DIN128A-M12
10		X4	DIN931-M12X50
11		X4	DIN934-M12
12		X4	DIN933-M12X40
13		X4	DIN933-M6X20

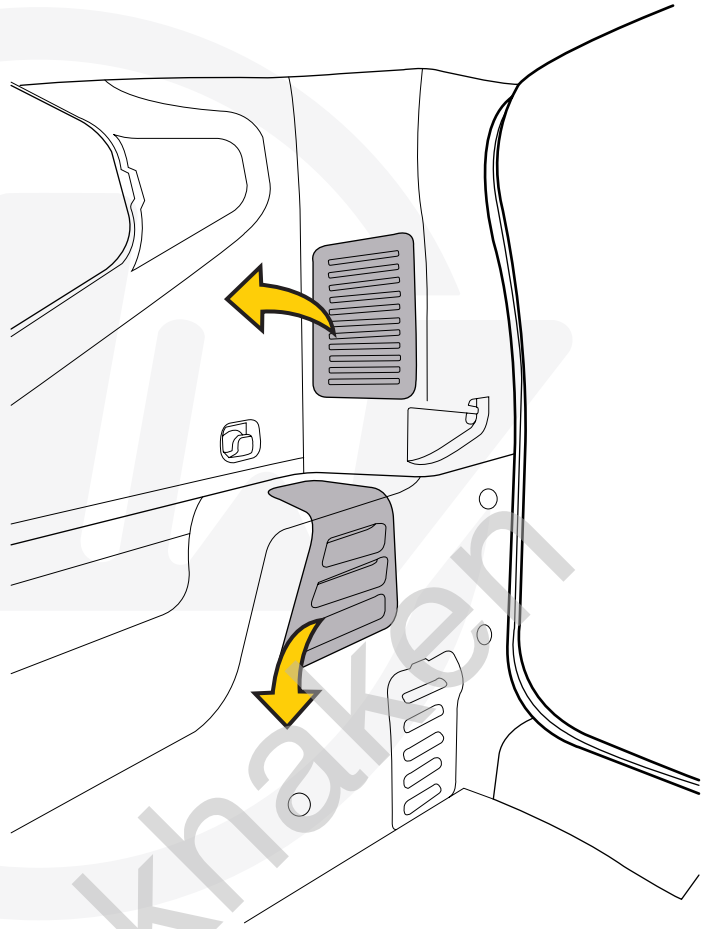
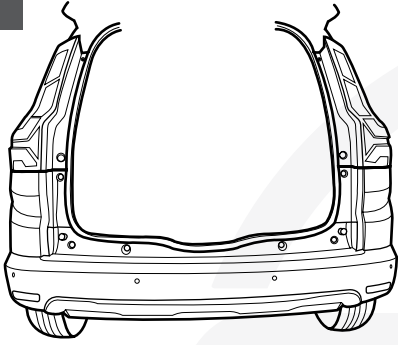
14		X4	DIN6923-M6
15		X4	GDW REF. 15
-S		X1	GDW REF. 900.053

-P		X1	GDW REF. P40
↳		X1	DIN985-M6
↳		X2	6,2 X 15,4 X 1,6 (NYLON)
↳		X1	GDW REF. 718.16.002
↳		X1	GDW REF. 718.16.003
↳		X1	GDW REF. 908.094
↳		X1	DIN933-M6 X 30
↳		X1	GDW REF. 908.096

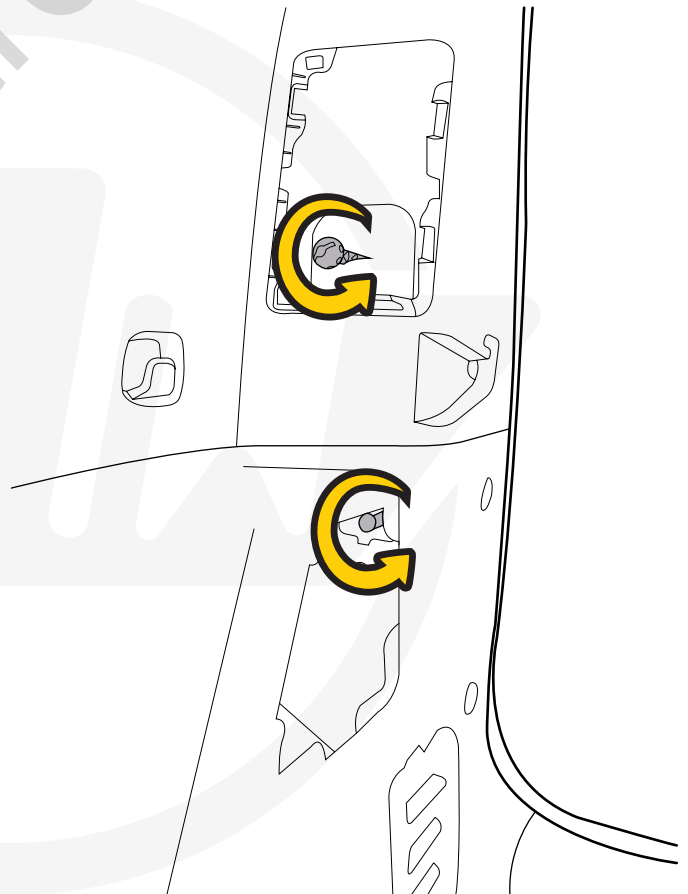
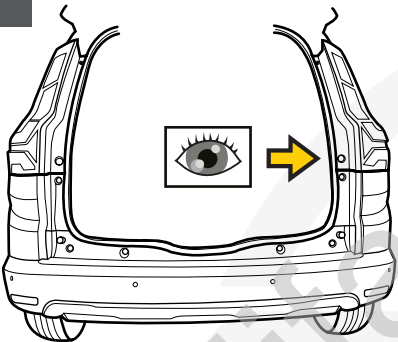
Geleverd met - Livré avec - Delivered with Gefleert mit - Elementos adjuntos-Leveres med		X1	944.L029
		X2	GDW REF. 900.008
		X2	GDW REF. 900.011 Ø 21,3 X 11,7
		X4	DIN931-M12 X 70
		X4	DIN985-M12

<b>OPTION T36</b>		
	X1	KIT36-2677

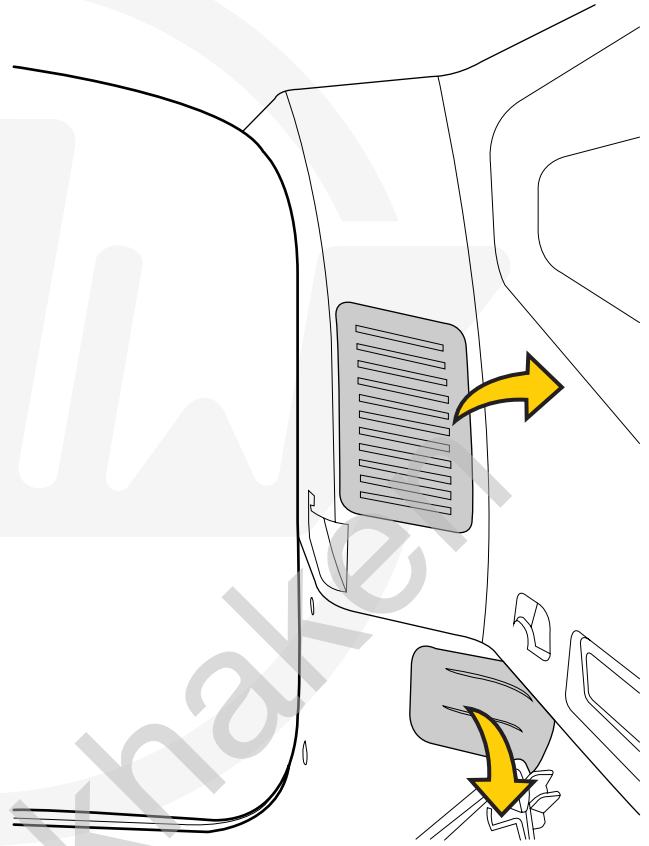
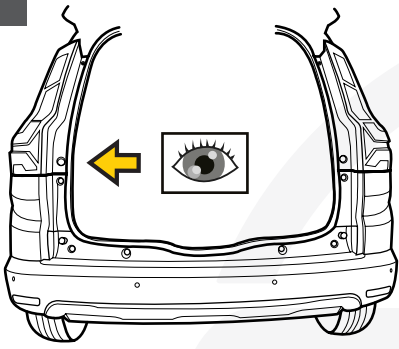
1



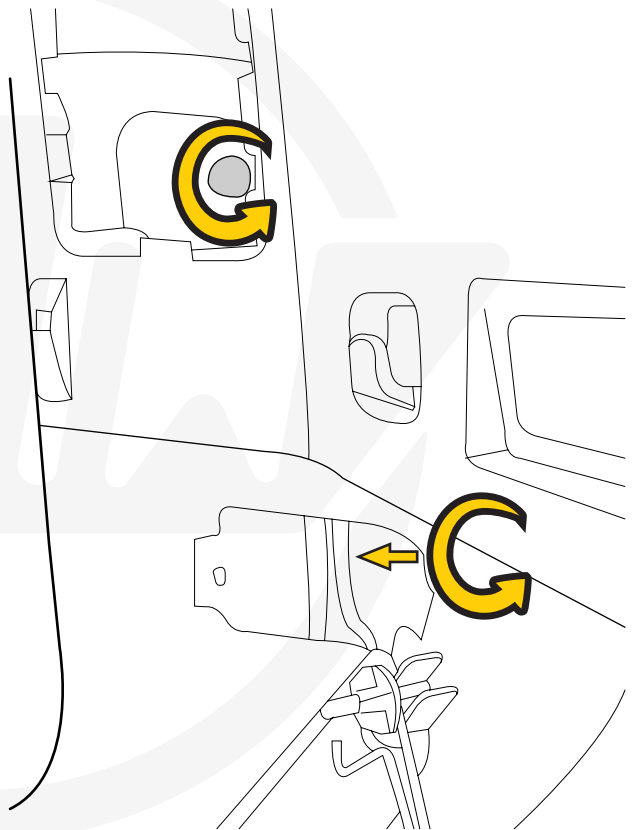
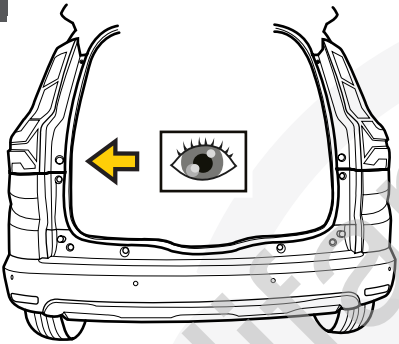
2



3

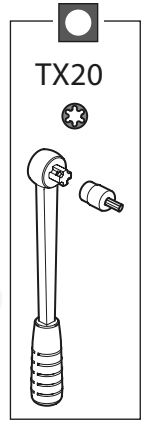
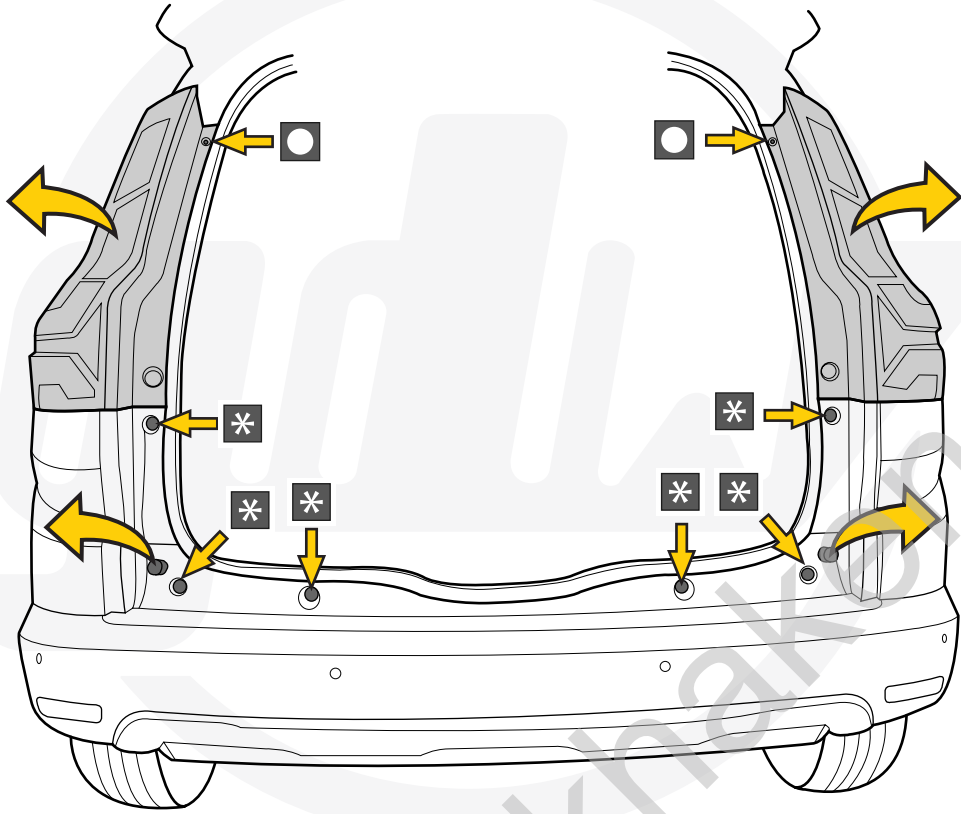
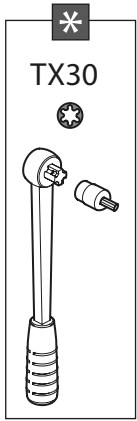


4

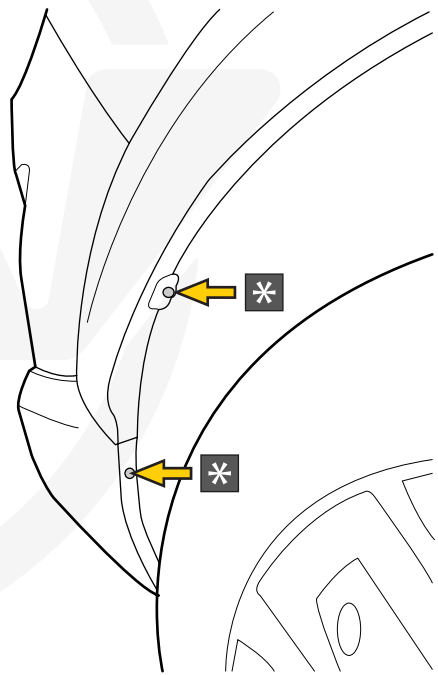
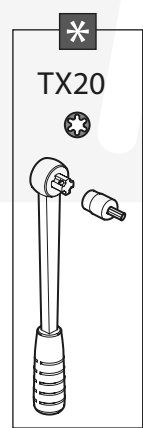
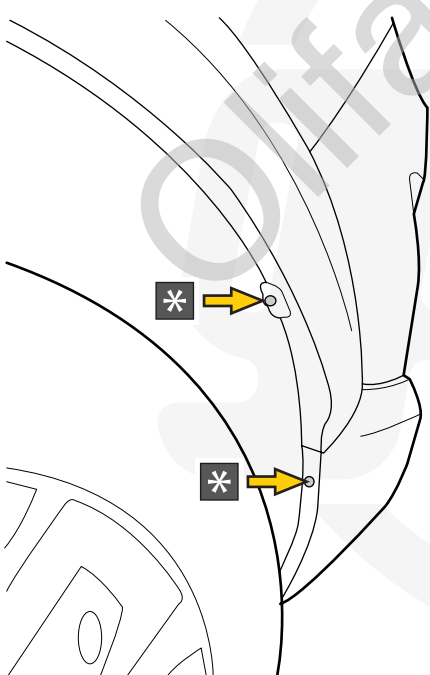
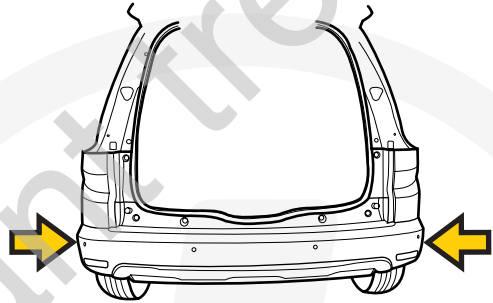




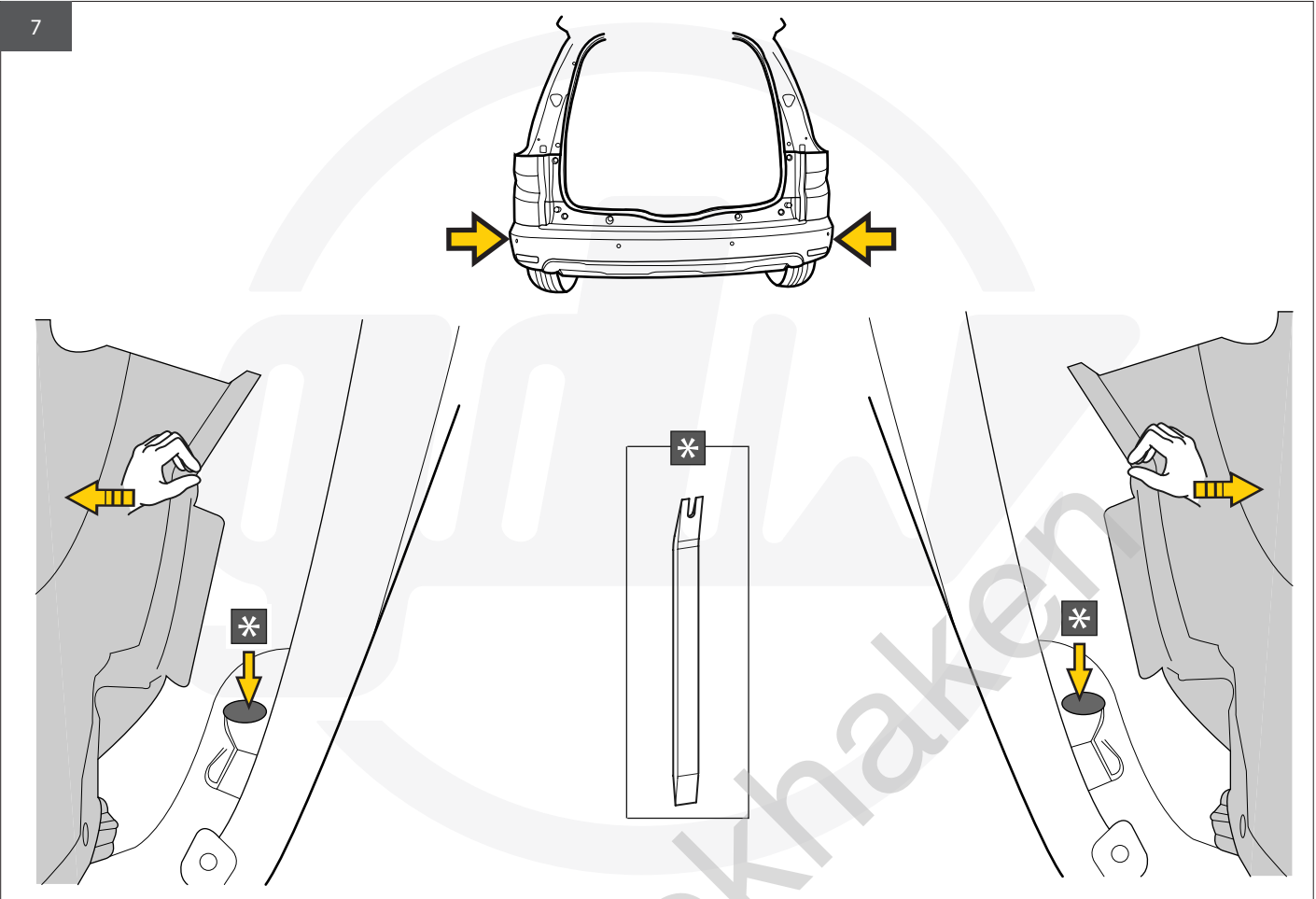
5



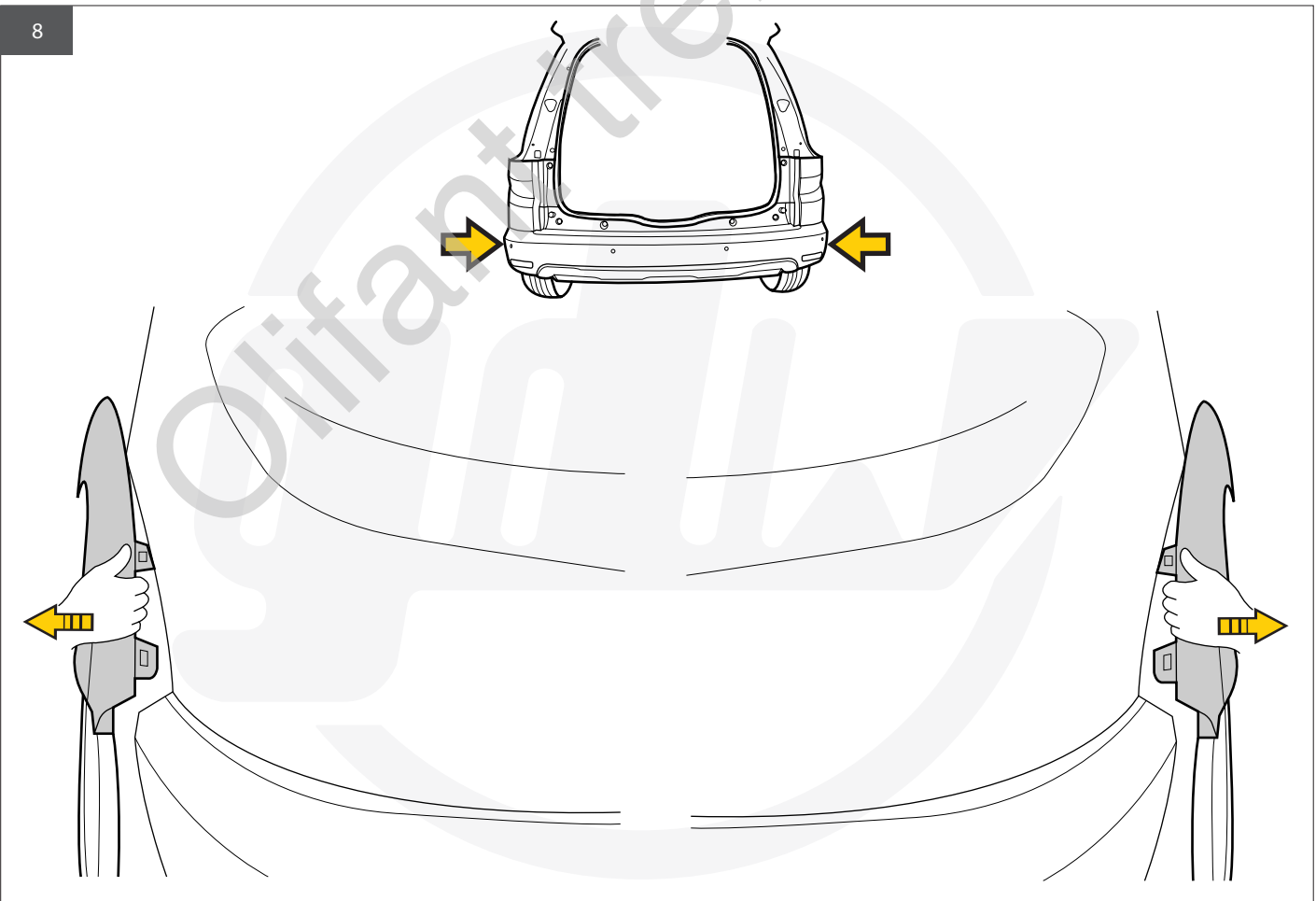
6



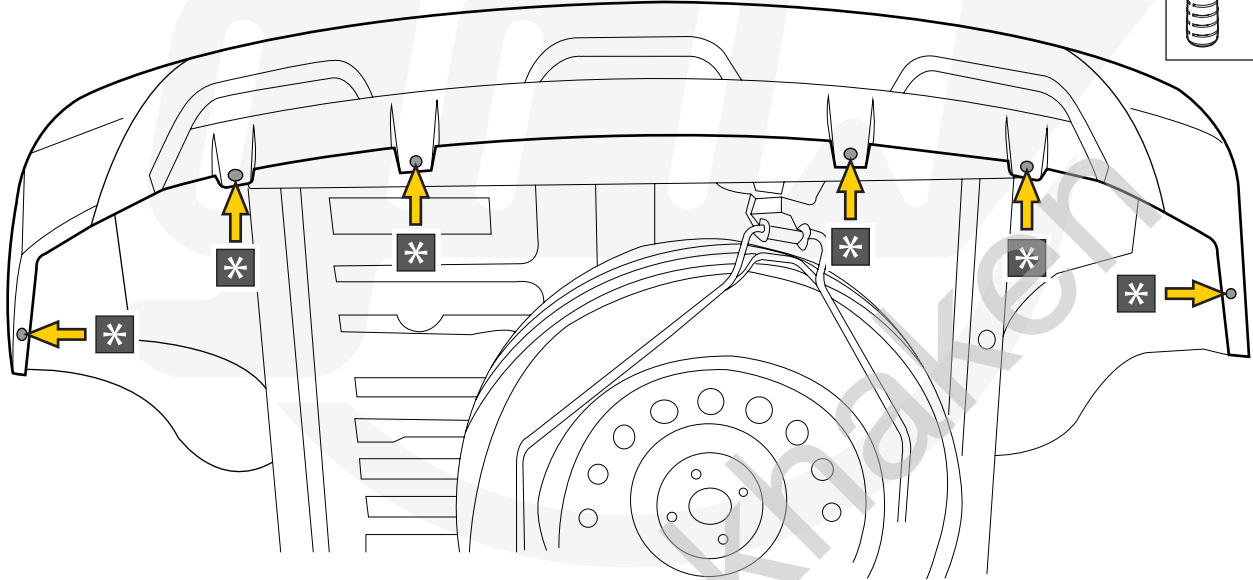
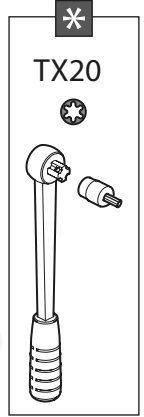
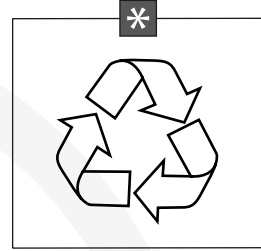
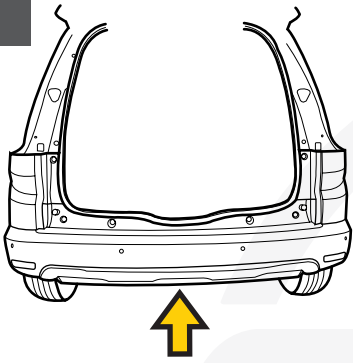
7



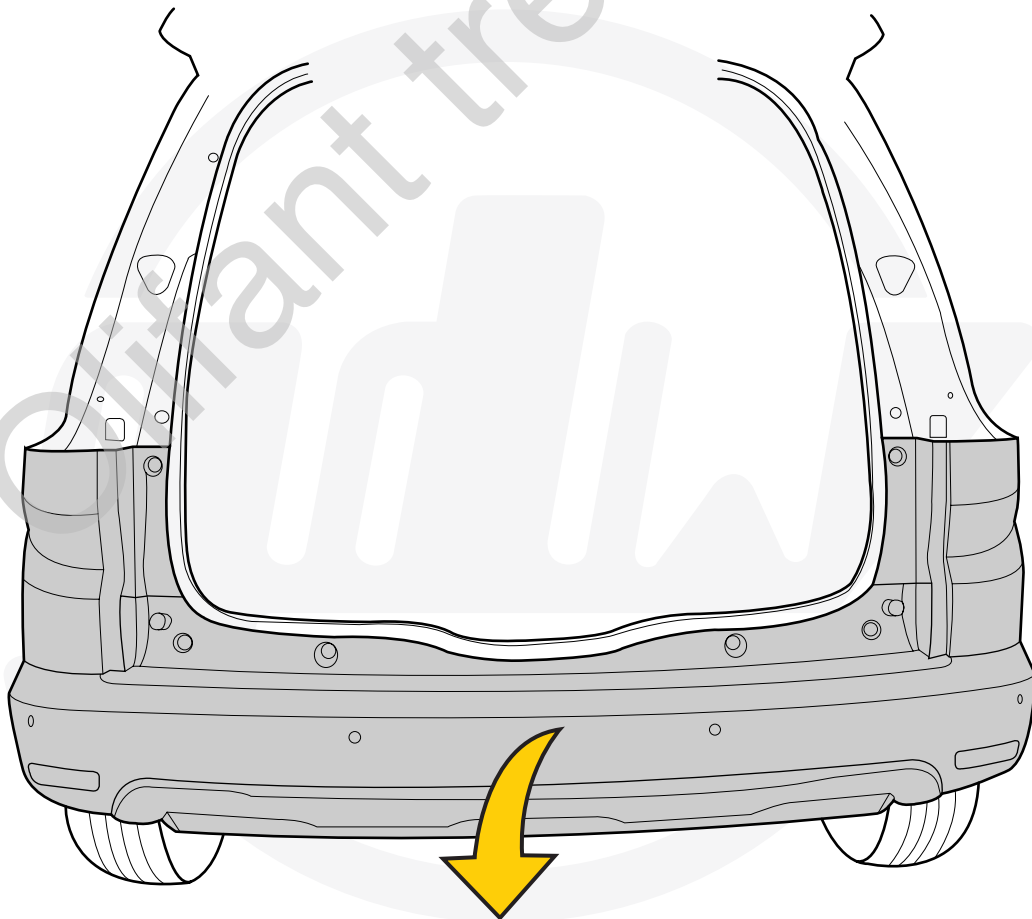
8

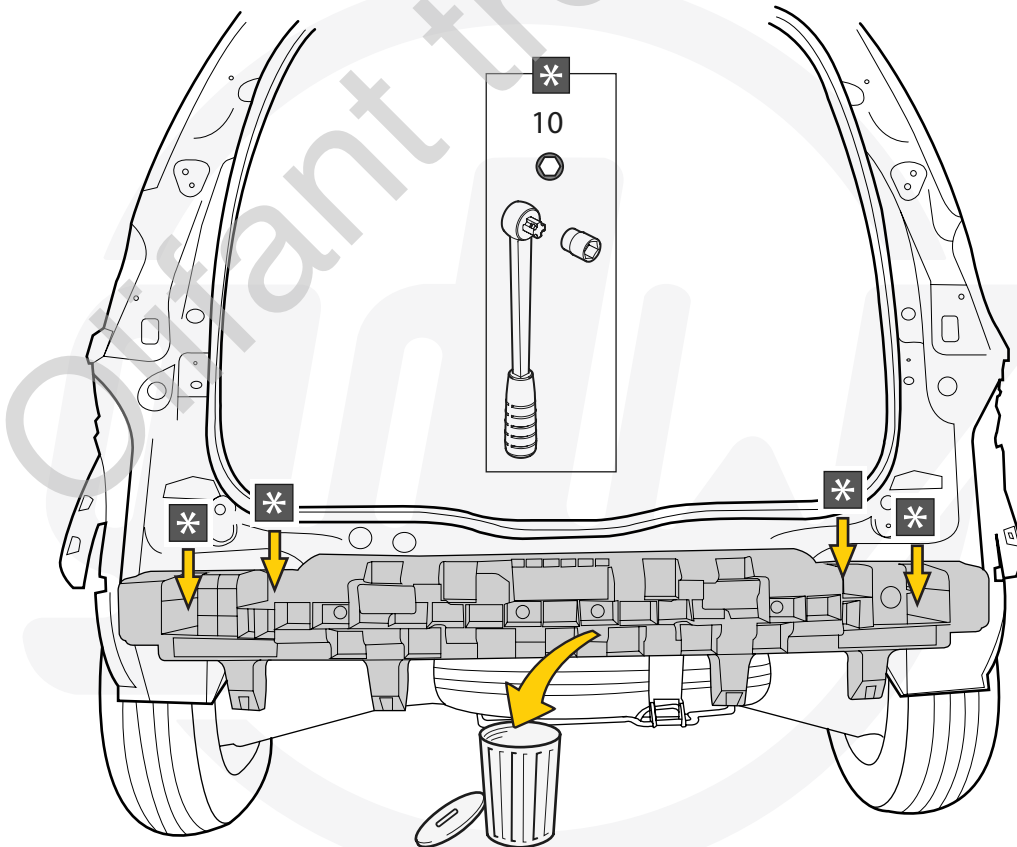
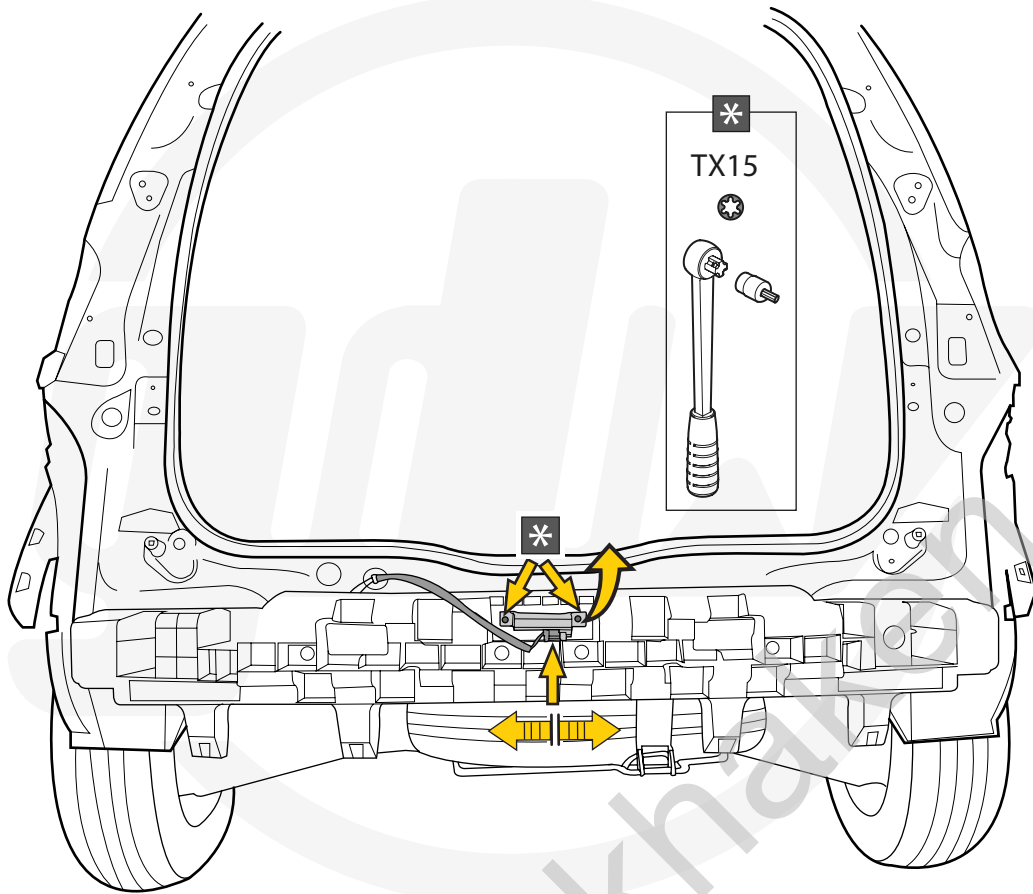


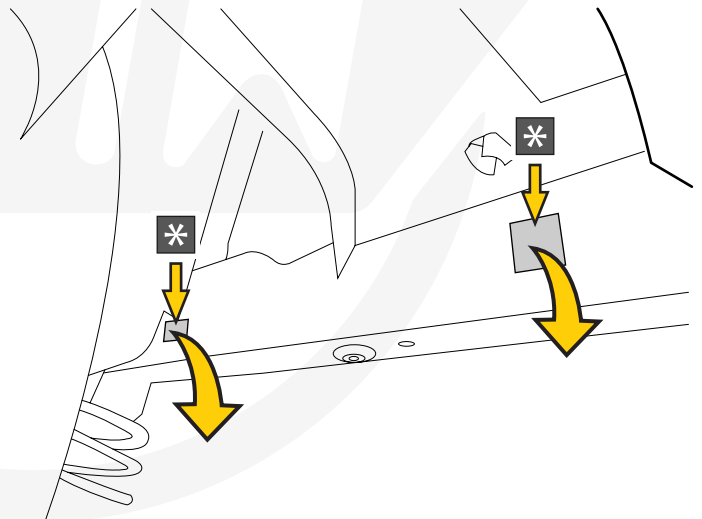
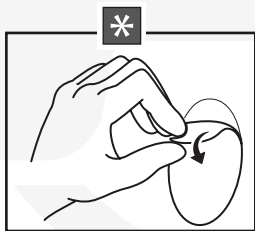
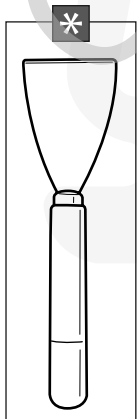
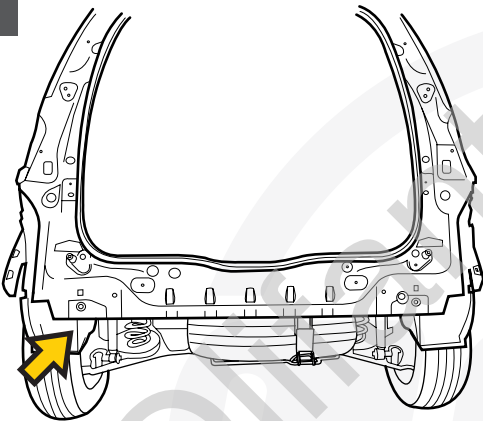
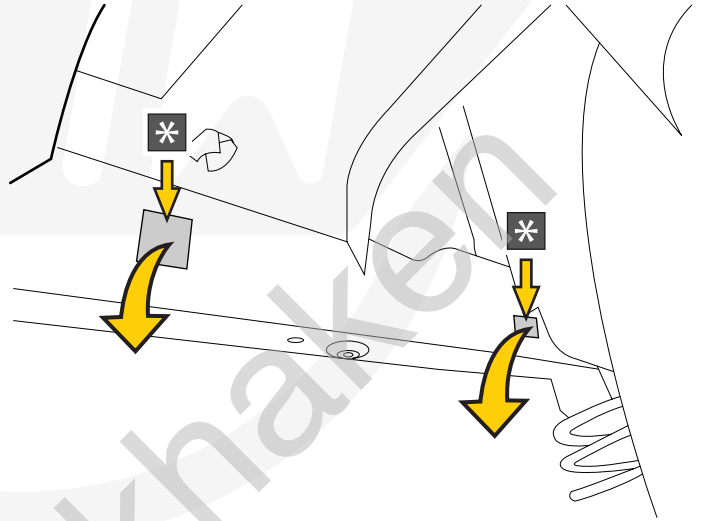
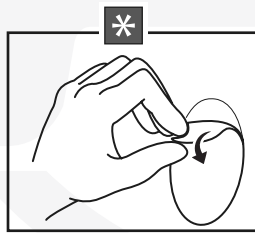
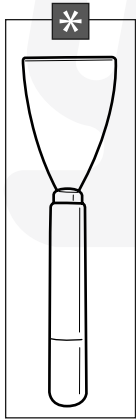
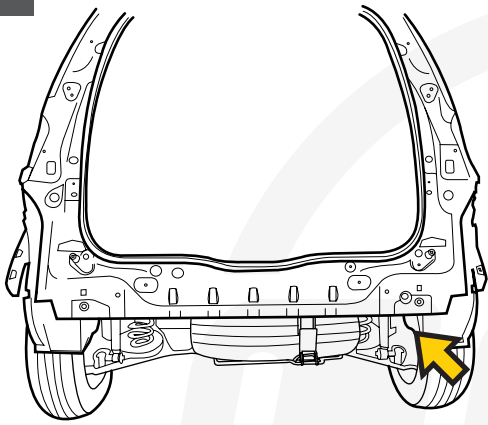
9



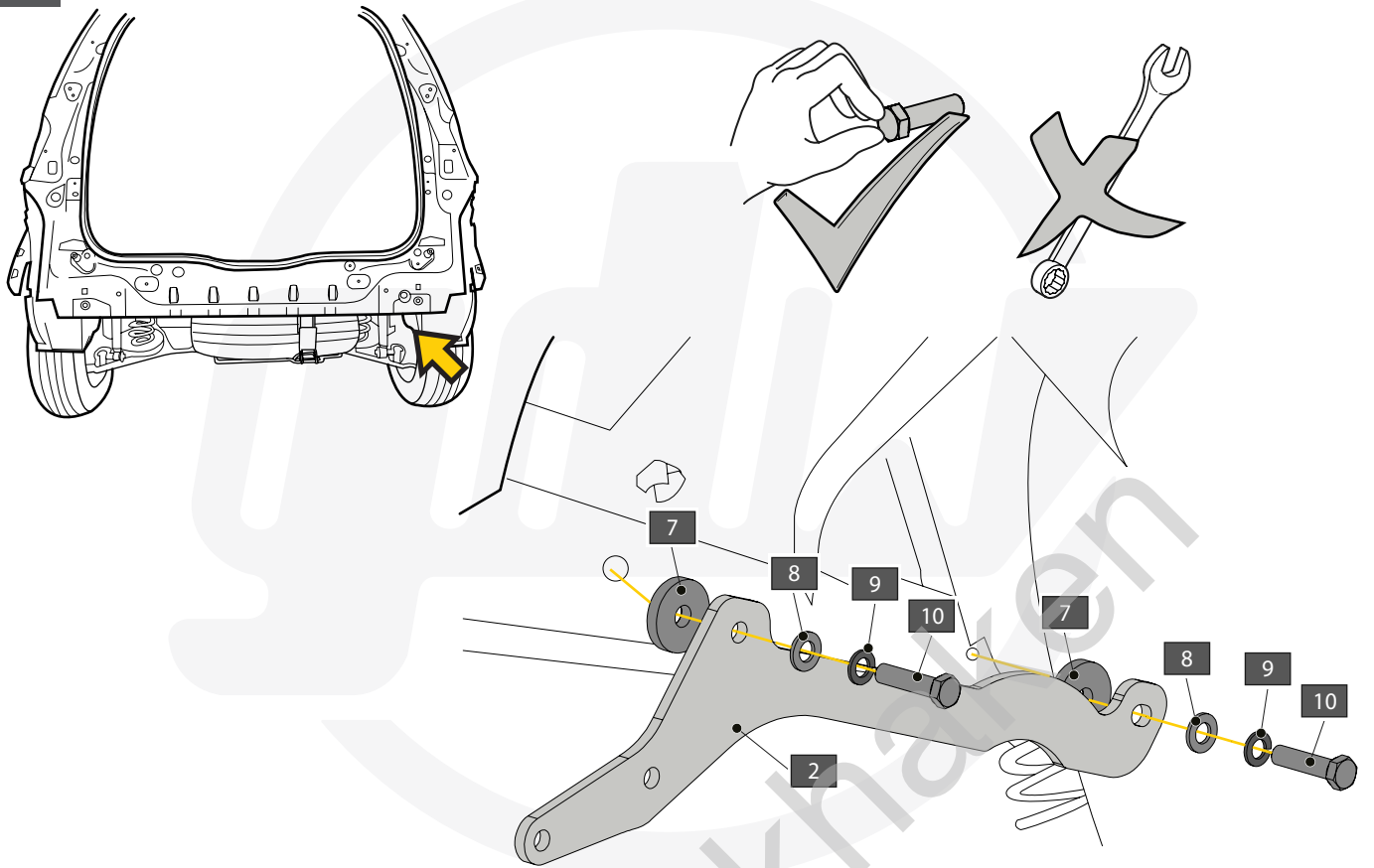
10



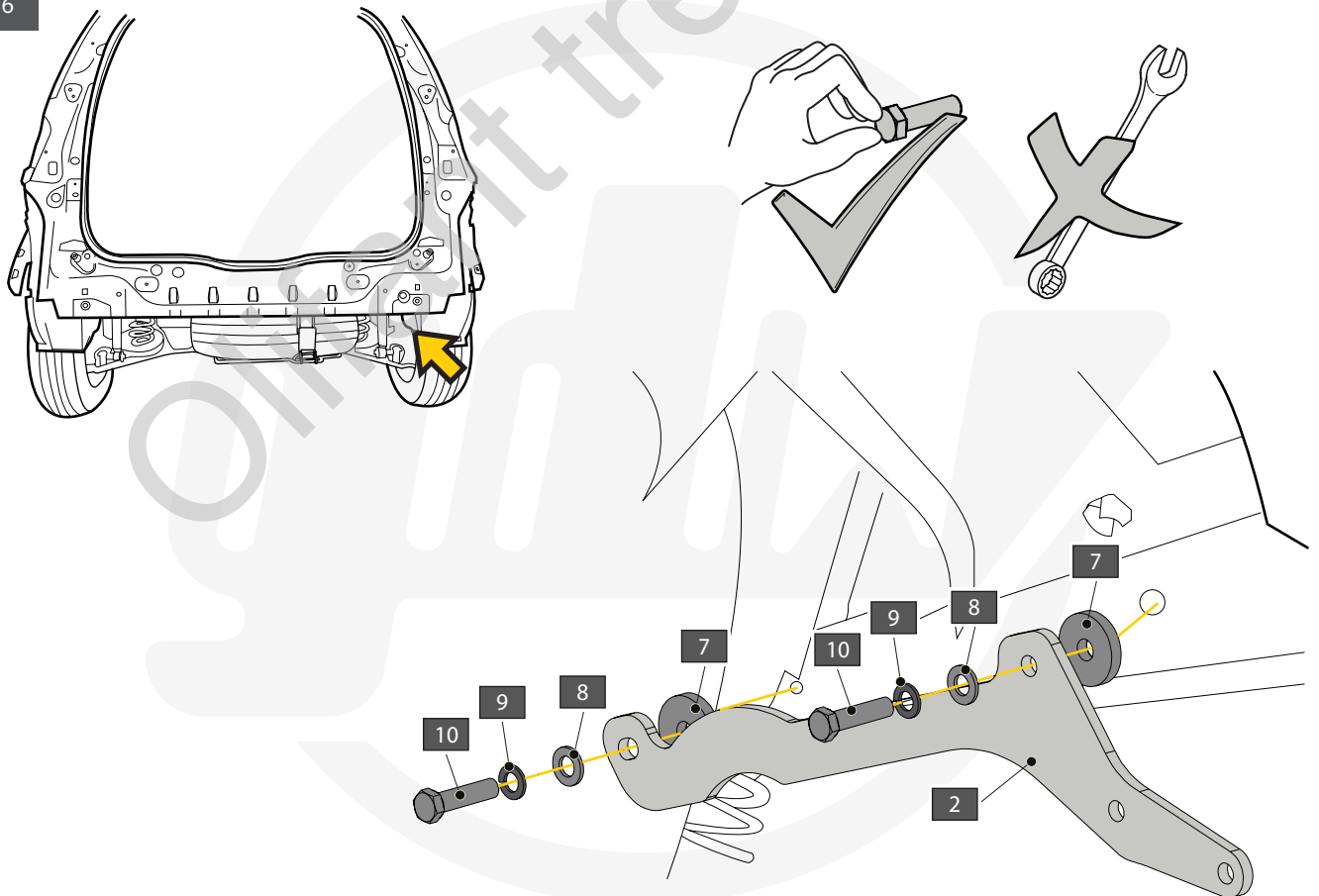


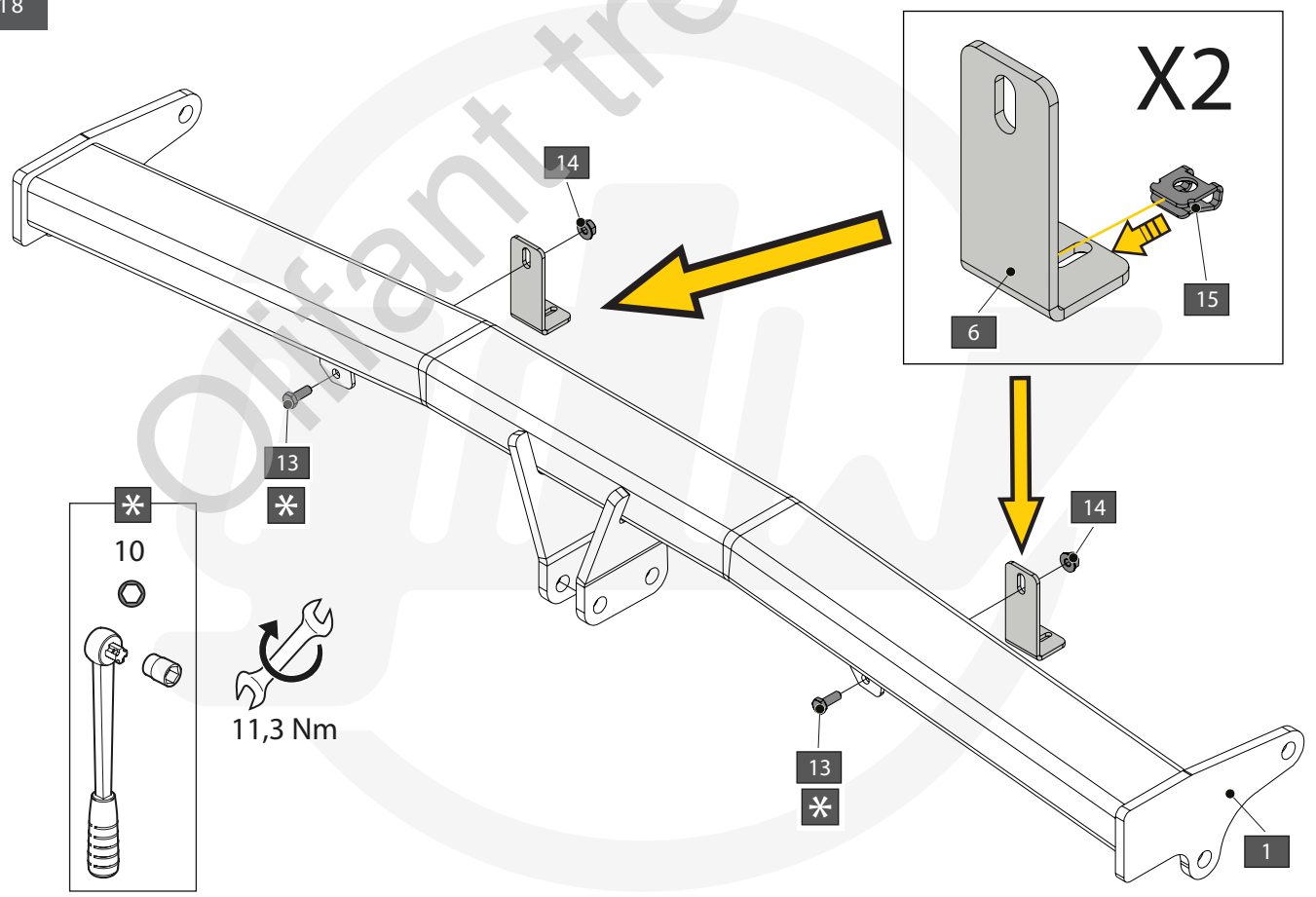
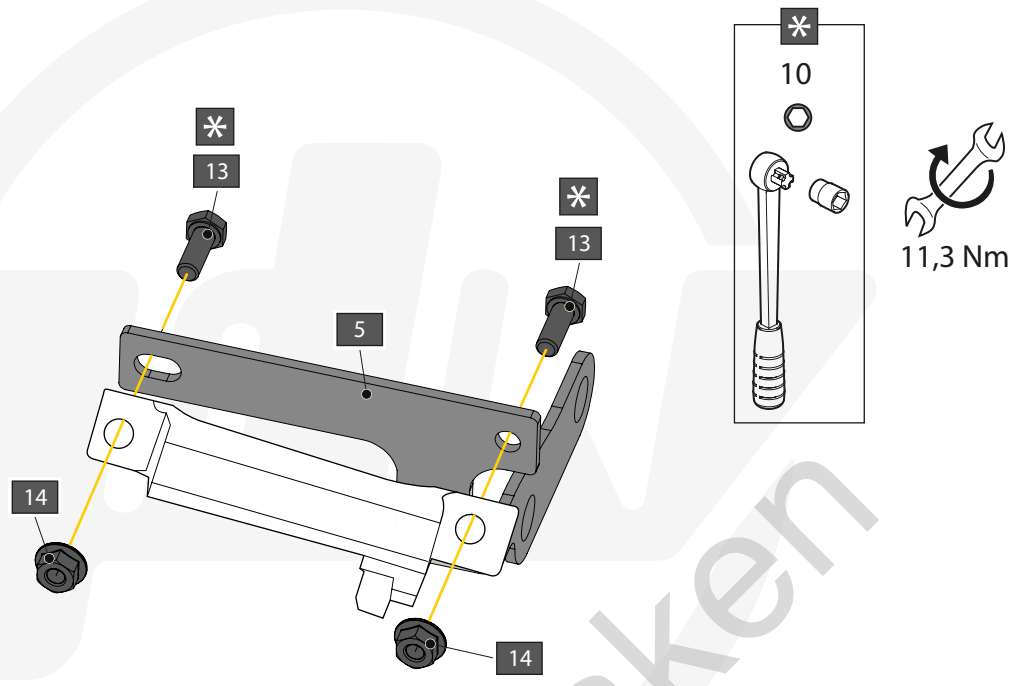


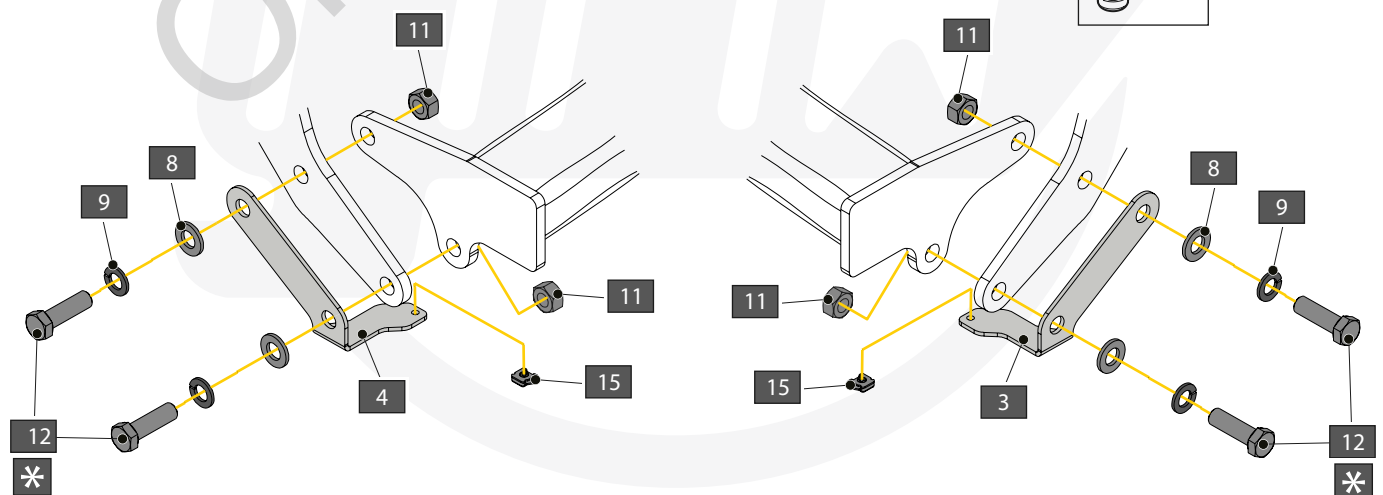
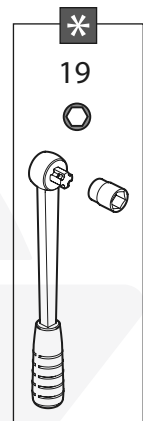
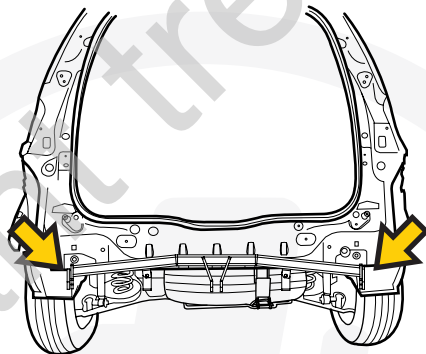
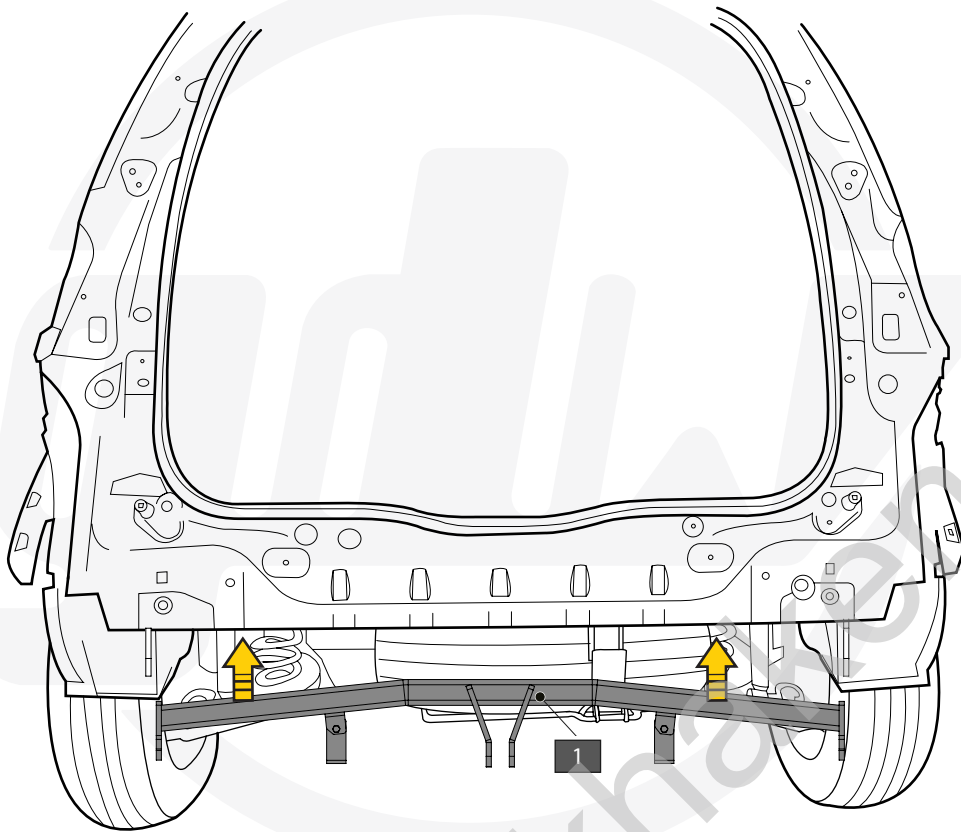
15



16

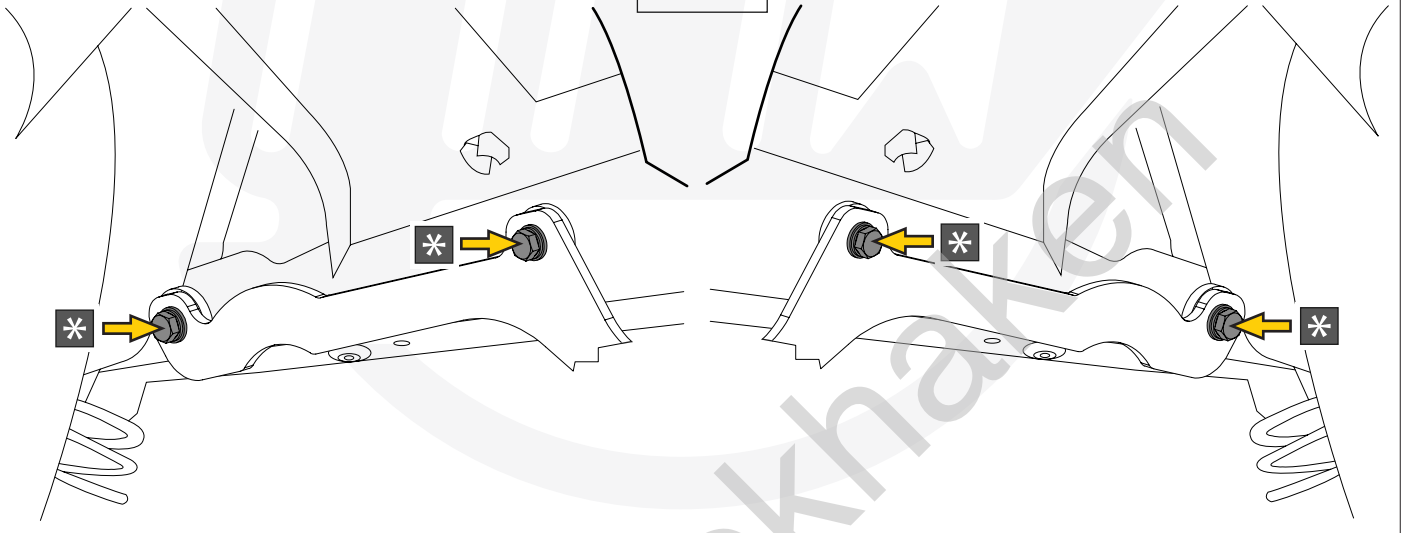
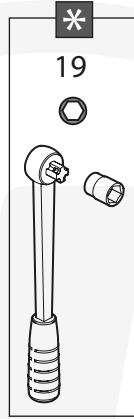
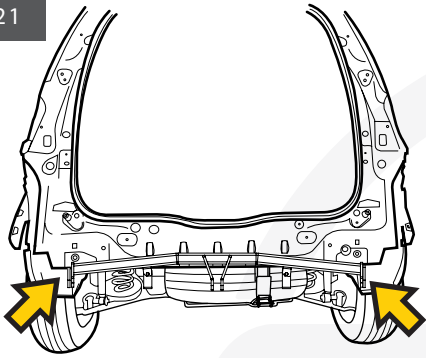






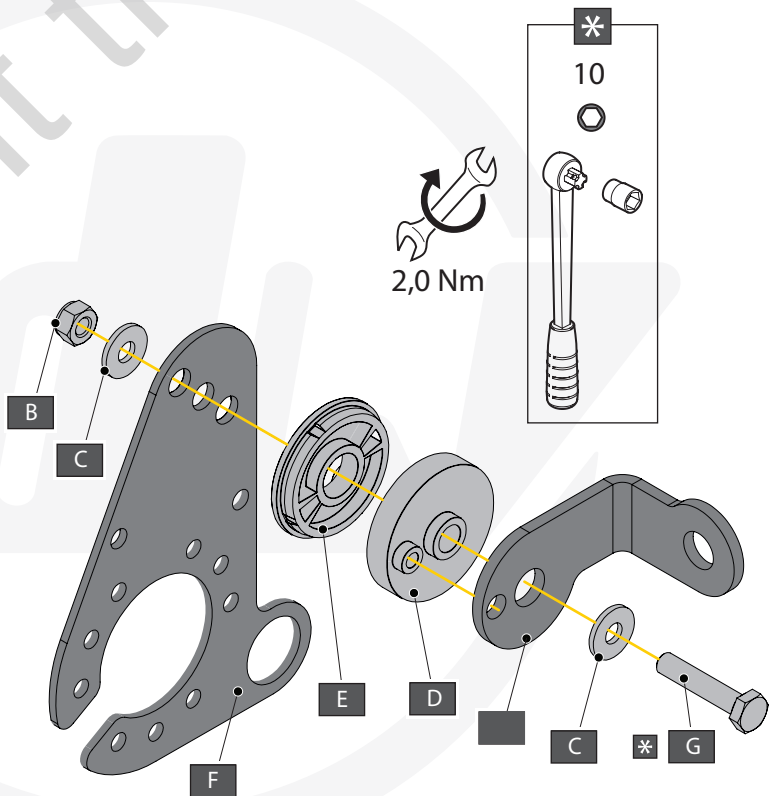


21

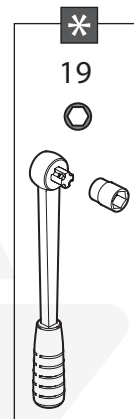
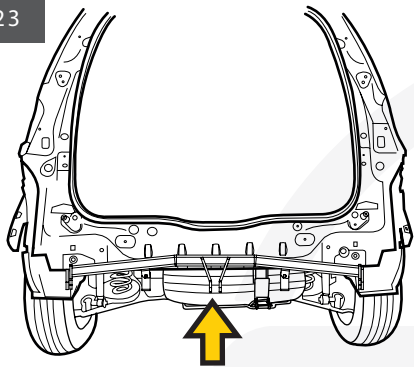


22


A		X1	GDW REF. 908.096
B		X1	DIN985-M6
C		X2	6,2 X 15,4 X 1,6 (NYLON)
D		X1	GDW REF. 718.16.002
E		X1	GDW REF. 718.16.003
F		X1	GDW REF. 908.094
G		X1	DIN933-M6 X 30

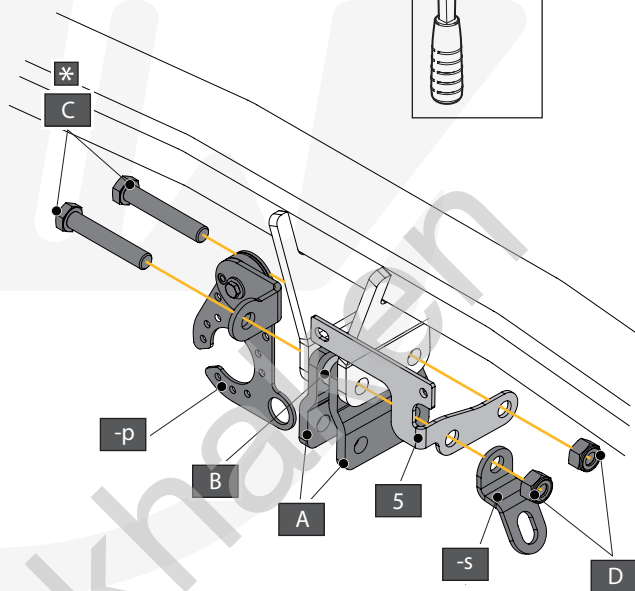


23

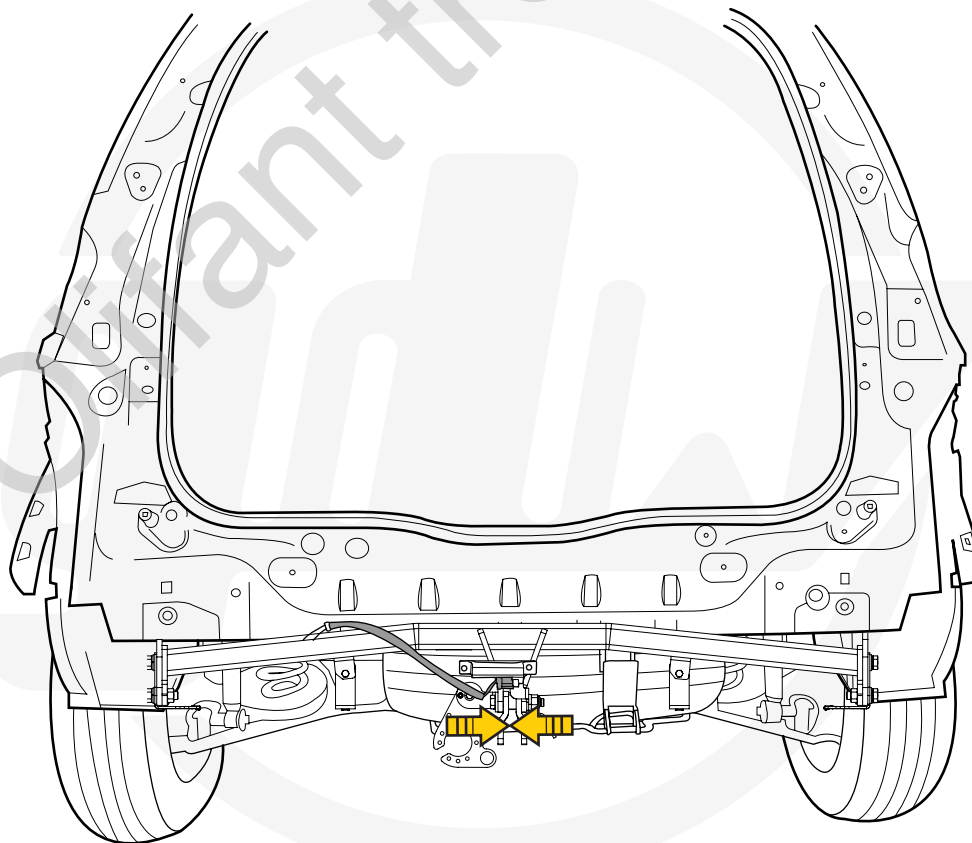


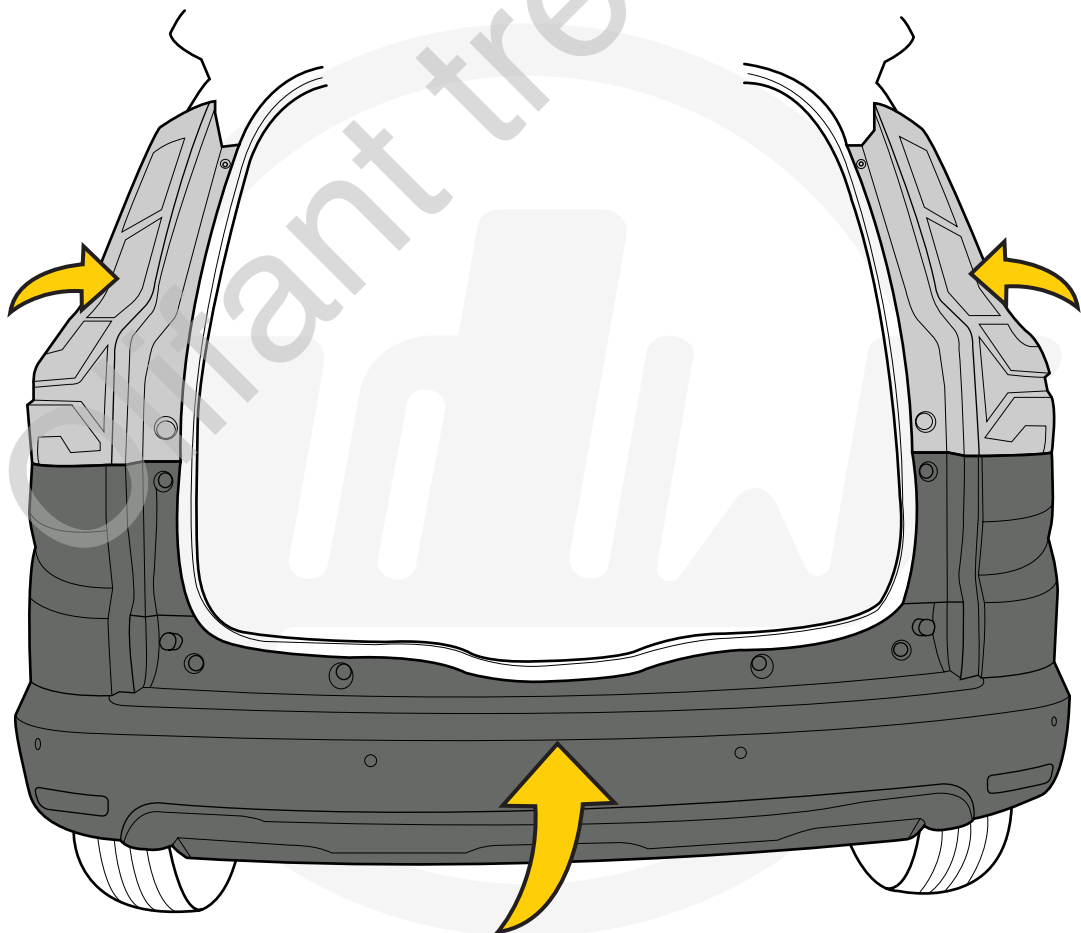
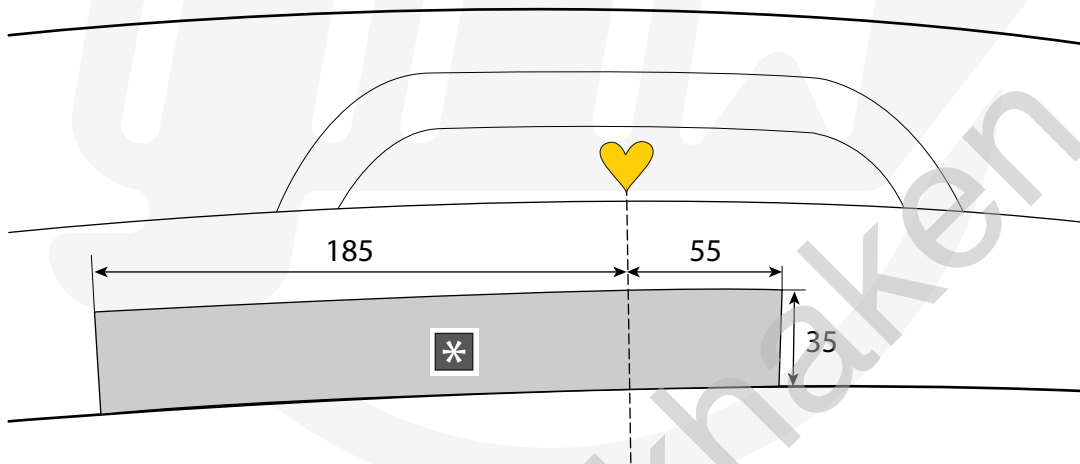
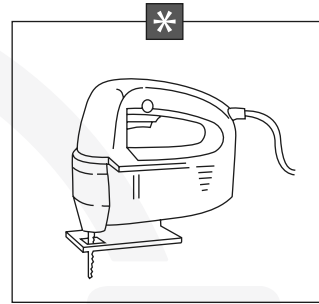
93,0 Nm

A		X2	GDW REF. 900.008
B		X2	GDW REF. 900.011 Ø 21.3 X 11.7
C		X2	DIN931-M12 X 70 -10.9
D		X2	DIN985-M12 KL10.9
-S		X1	GDW REF. 900.053

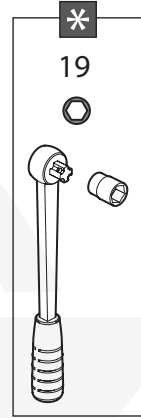
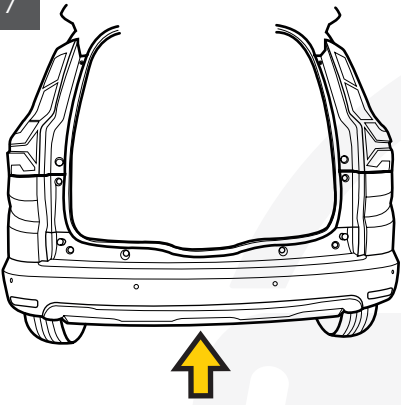


24

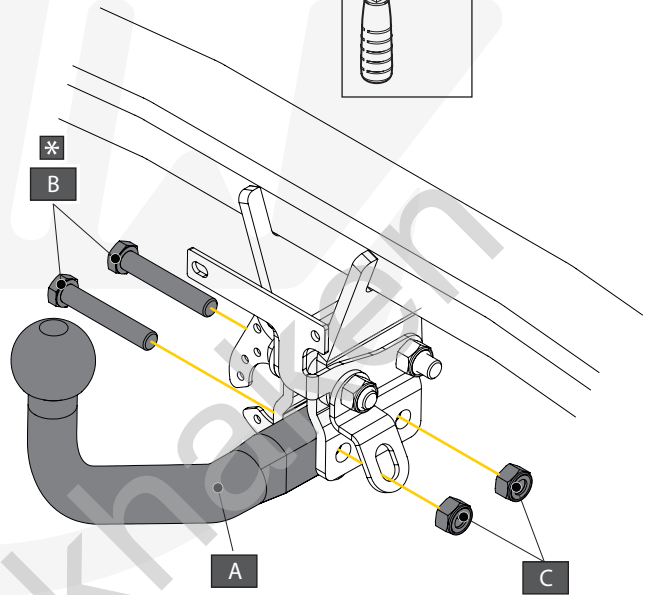


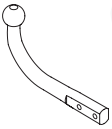
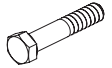



27

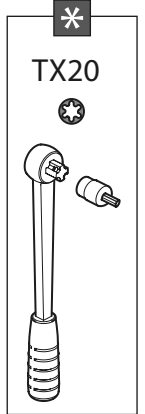
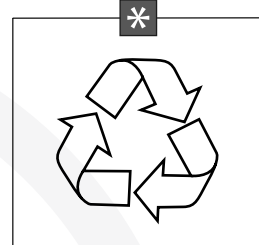
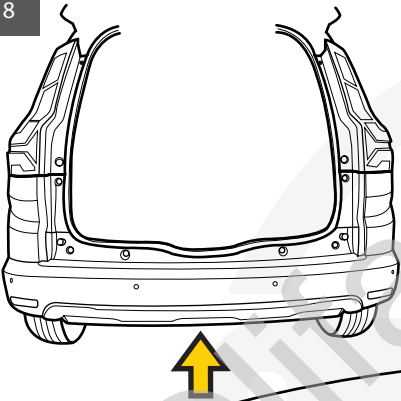


93,0 Nm

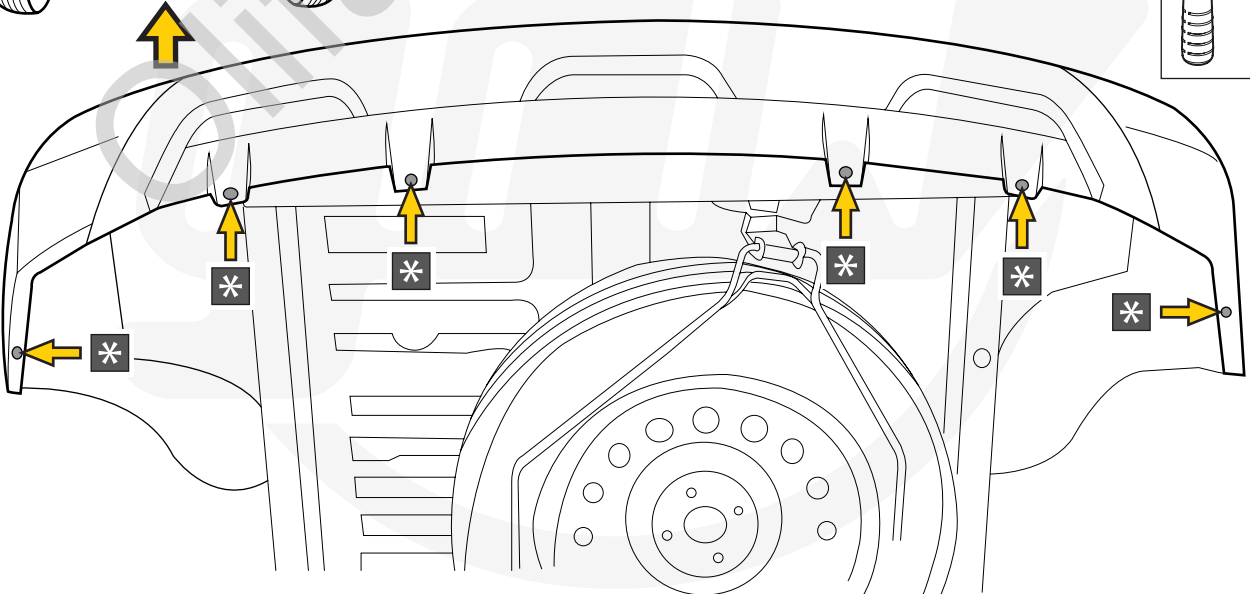



- A  X1 944.L029
- B  X2 DIN931-M12 X 70
- C  X2 DIN985-M12

28



TX20



<b>OPTION T36</b>		
	X1	KITT36-2677

