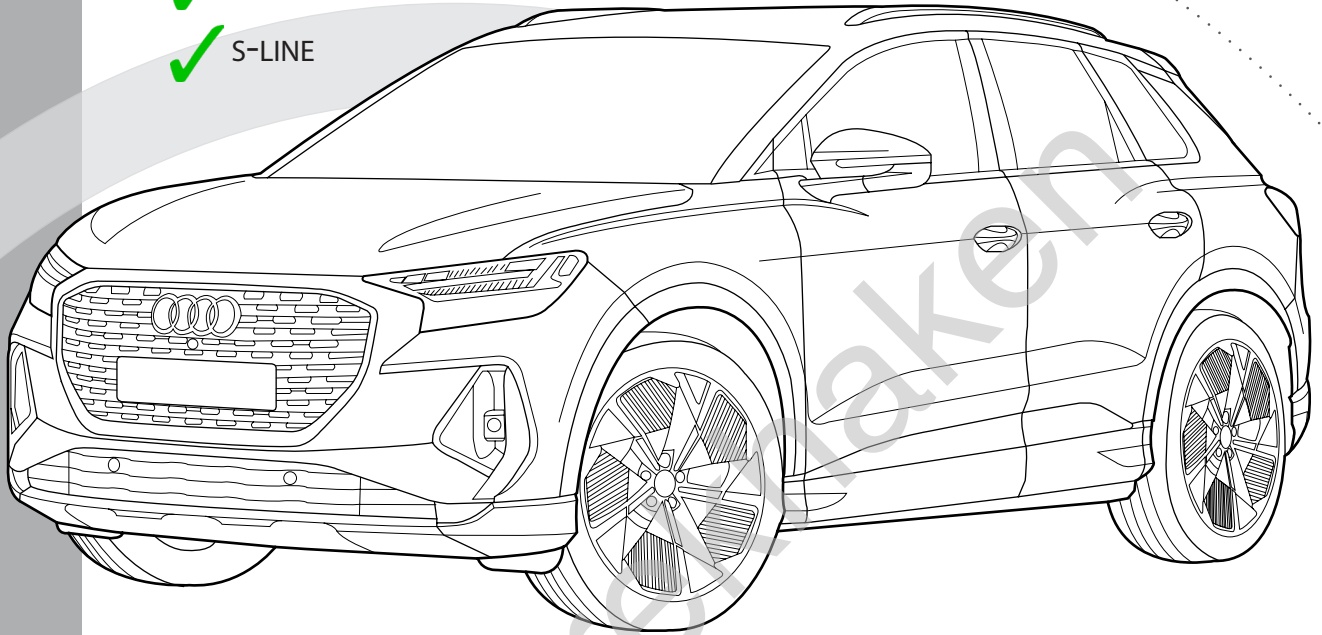




Audi Q4 e-tron (F4B)

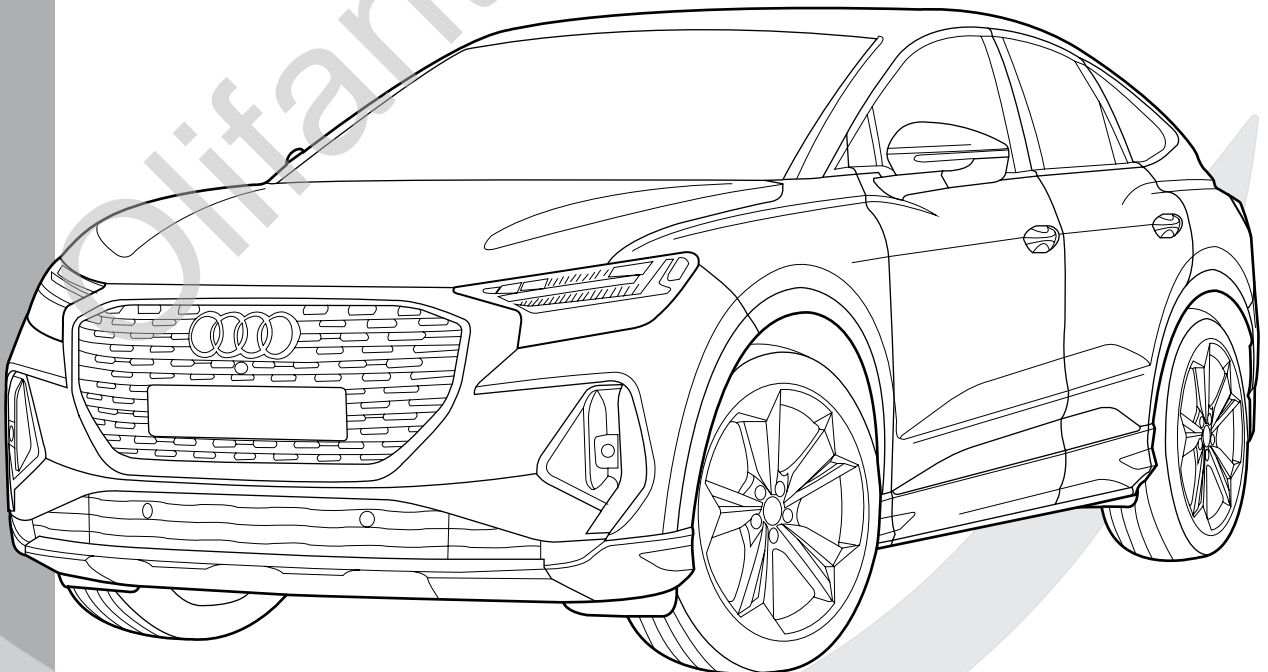
03/'21-

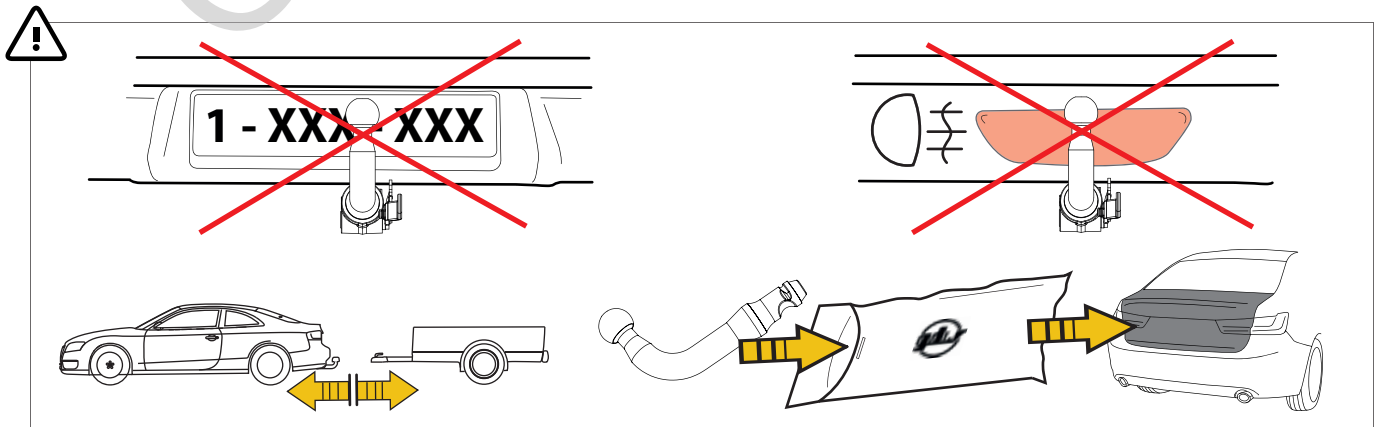
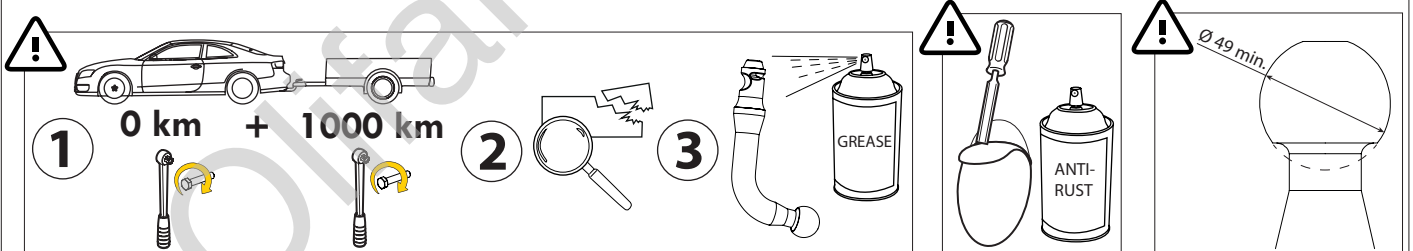
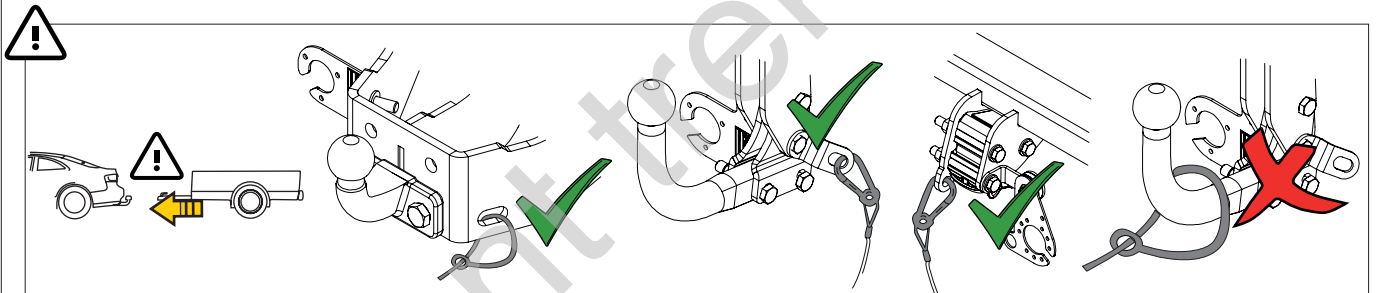
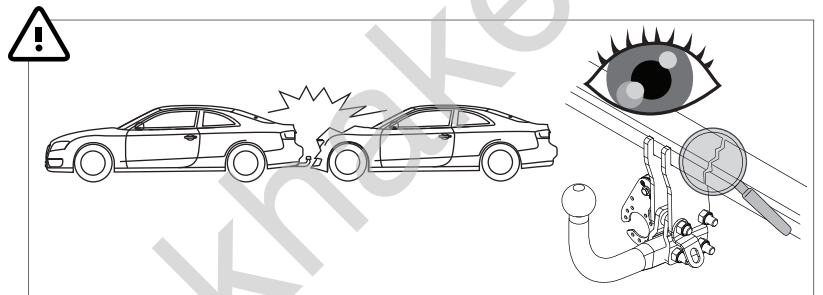
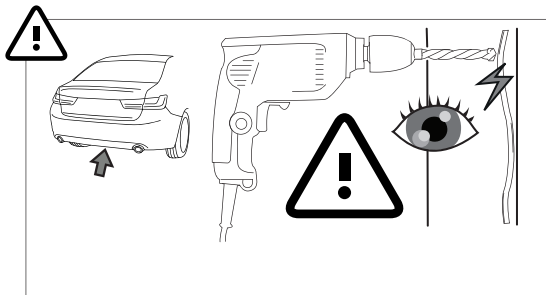
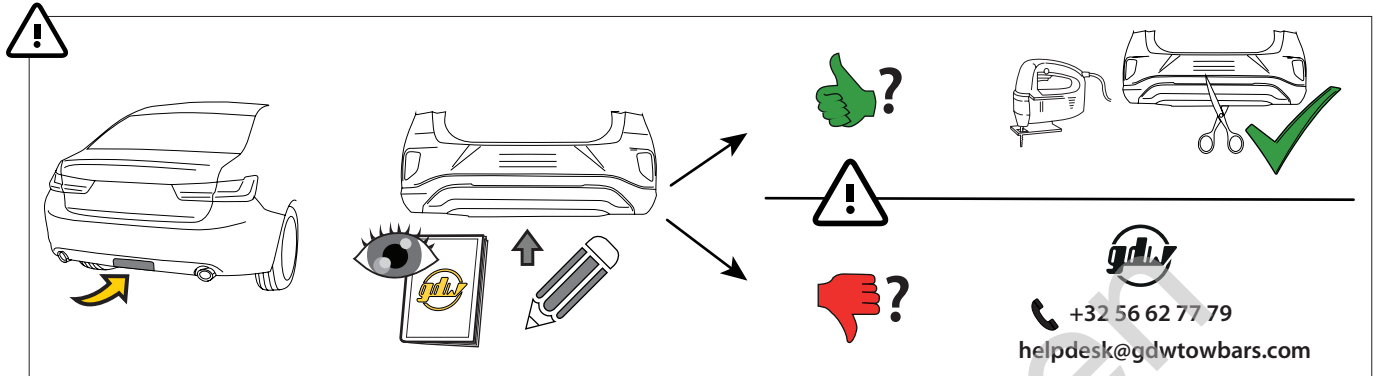
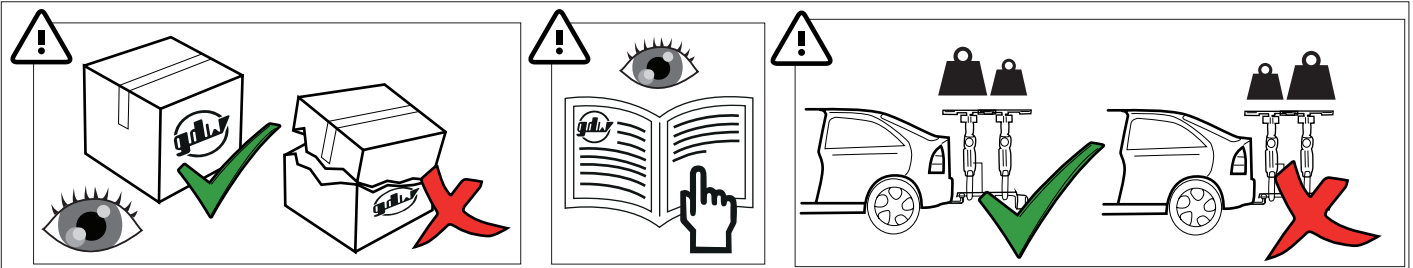
- ✓ ATTRACTION
- ✓ ADVANCED
- ✓ S-LINE



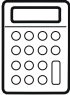



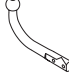



Audi Q4 e-tron Sportback (F4N)

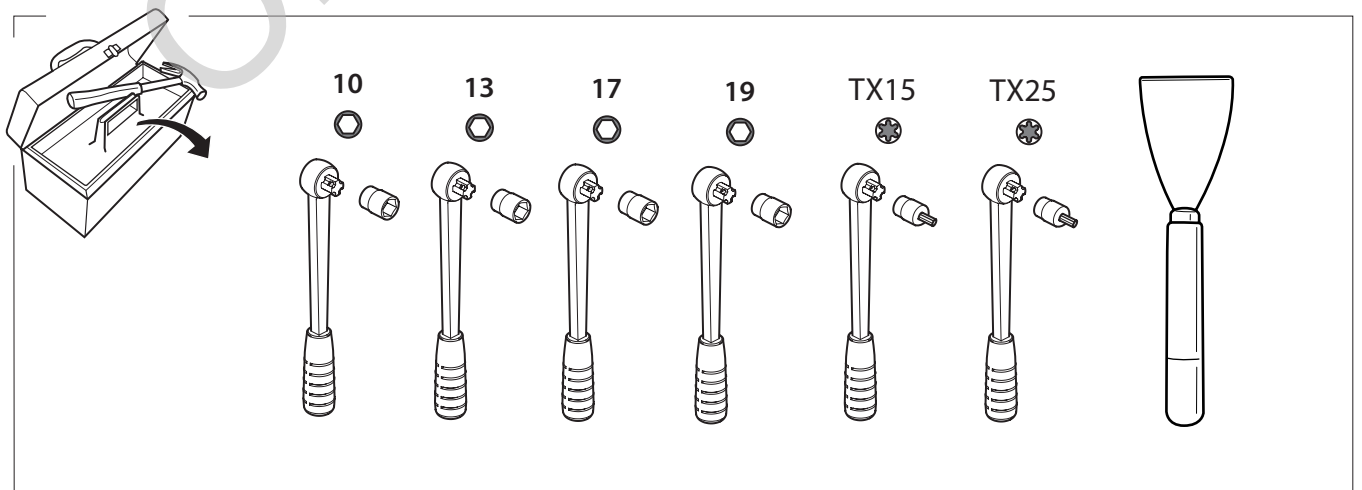
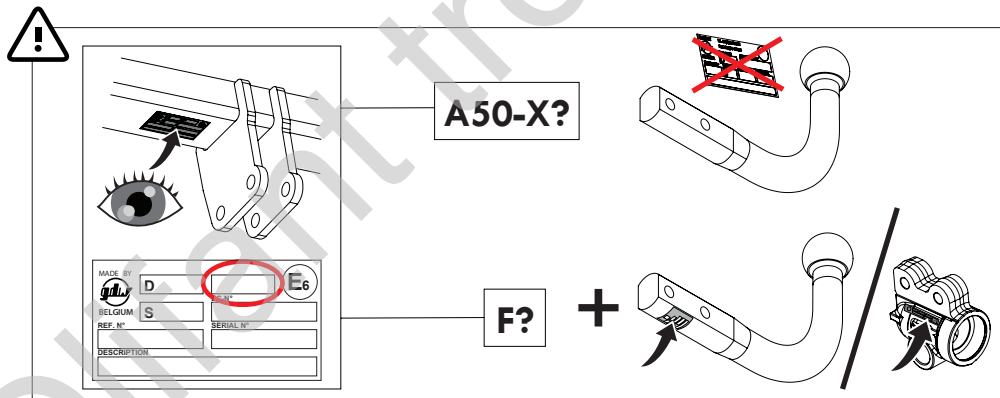
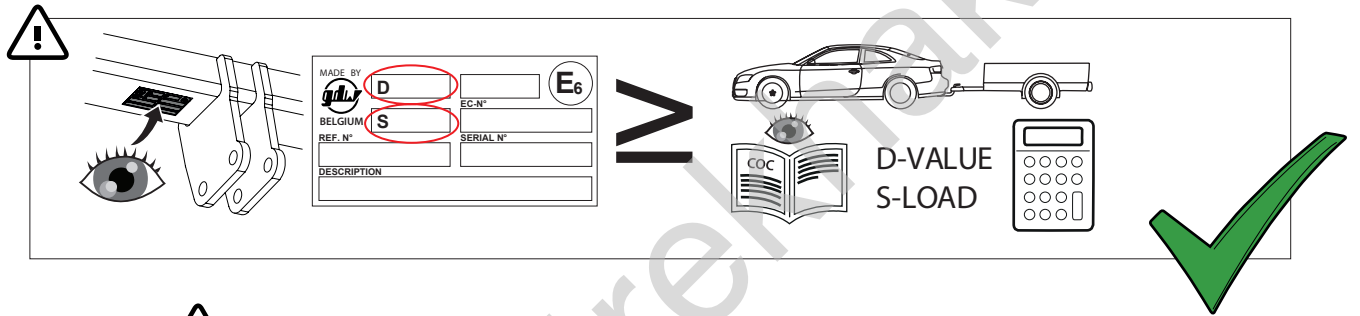
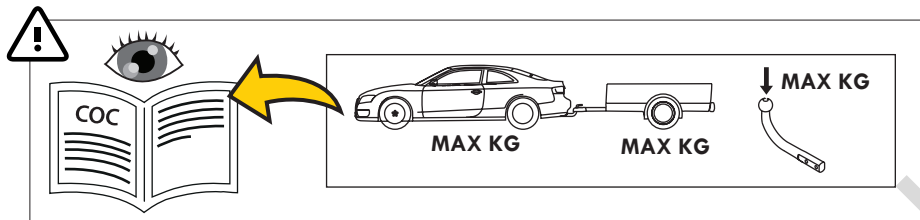
06/'21-

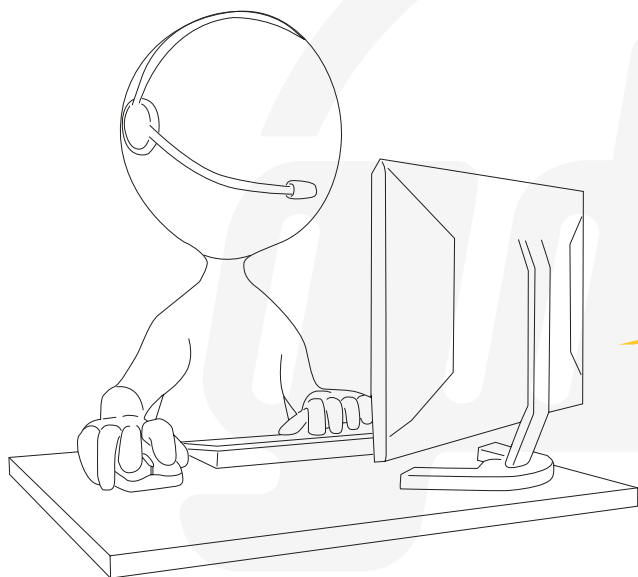




MADE BY 	D 9,10	F	E6	 	 \times  $\text{max kg} \times \text{max kg} \times 0.00981 \leq 9,10 \text{ kN}$
BELGIUM	S 100	EC-N° 55R-02 1740			
REF N° 2676T60		SERIAL N° XXXX		 $S =$  $\leq 100 \text{ kg}$  $\leq 1400 \text{ kg}$	
DESCRIPTION Audi Q4 E-tron & Audi Q4 Sportback E-tron					

See the Certificate Of Conformity (COC) of your vehicle or contact your dealer to verify the max. trailer weight of your car!

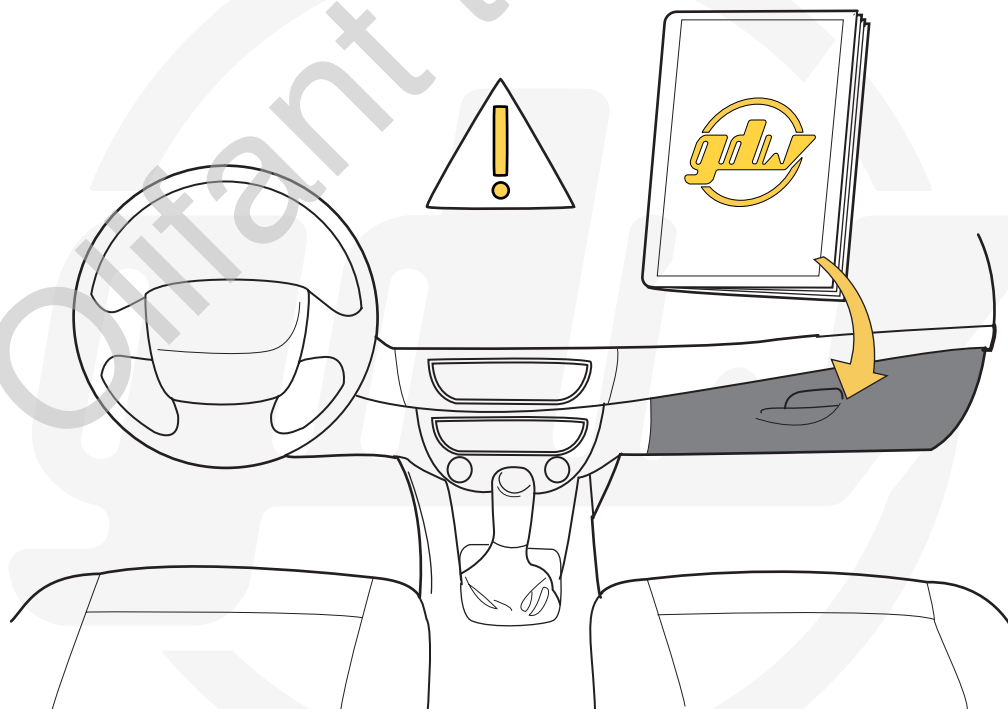


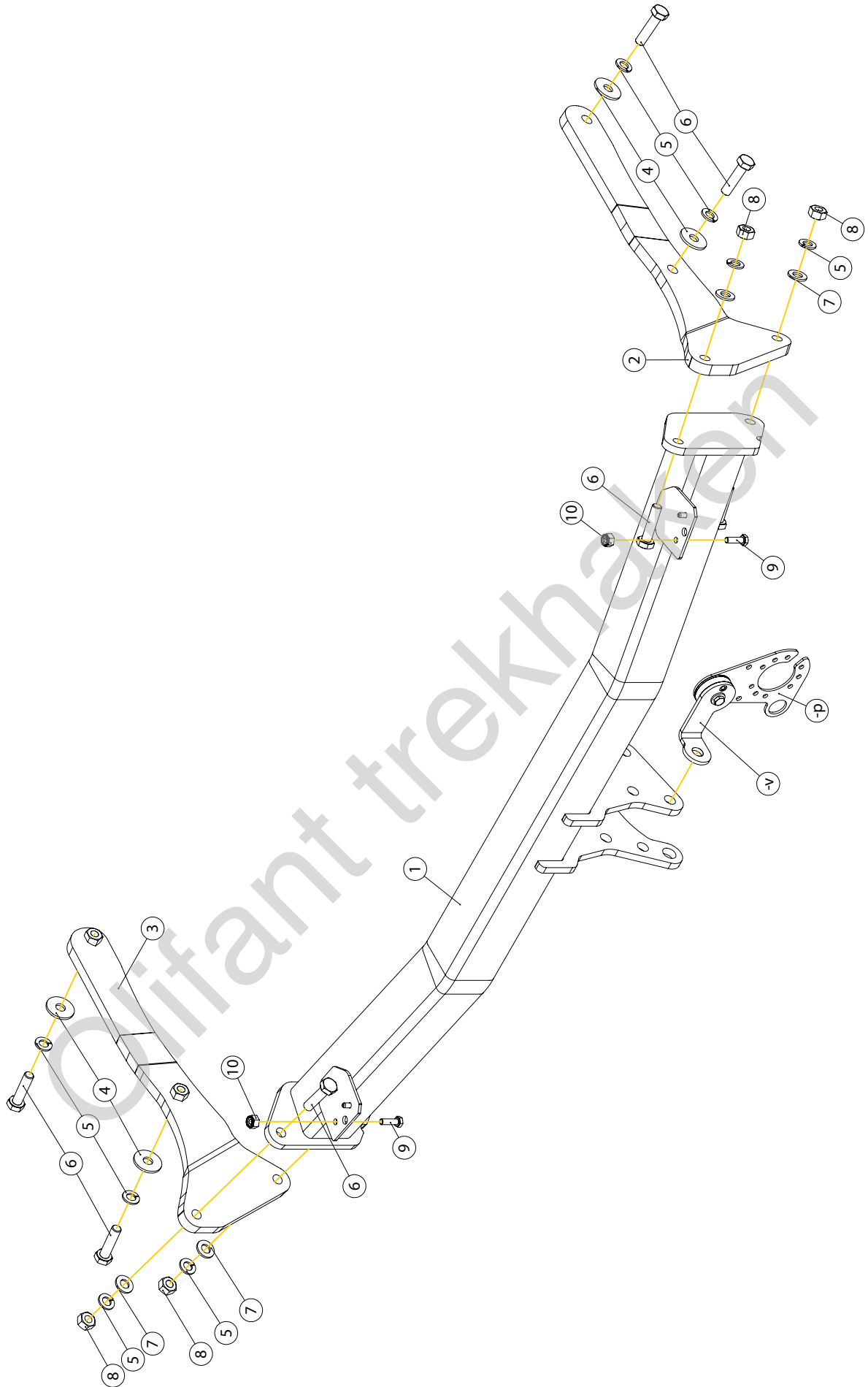


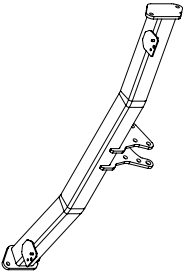
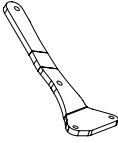
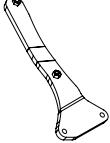







helpdesk@gdwtowbars.com

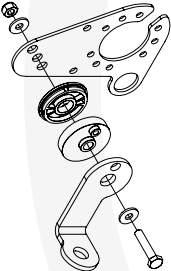




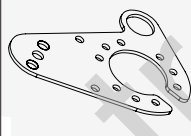


+32 56 62 77 79

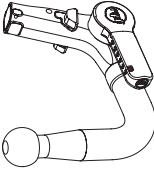

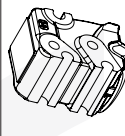


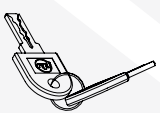



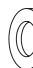
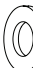

Monday	08:00 - 12:00	12:30 - 16:30
Tuesday	08:00 - 12:00	12:30 - 16:30
Wednesday	08:00 - 12:00	12:30 - 16:30
Thursday	08:00 - 12:00	12:30 - 16:30
Friday	08:00 - 12:00	12:30 - 15:30



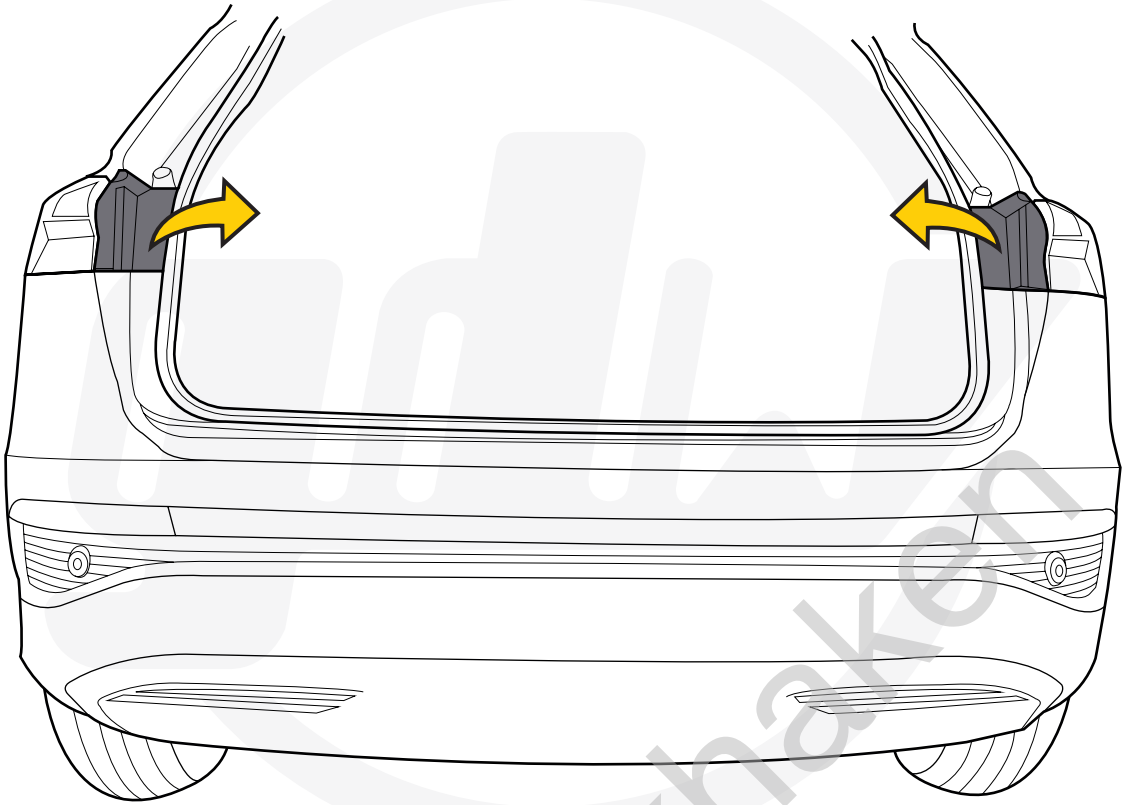


1		X1	GDW REF. 2676160
2		X1	GDW REF. 2
3		X1	GDW REF. 3
4		X4	DIN9021-M10-ELVZ
5		X8	DIN128A-M10
6		X8	DIN933-M10X40
7		X4	DIN125-A10-140HV-ELVZ
8		X4	DIN934-M10
9		X2	DIN933-M6X20
10		X2	DIN985-M6

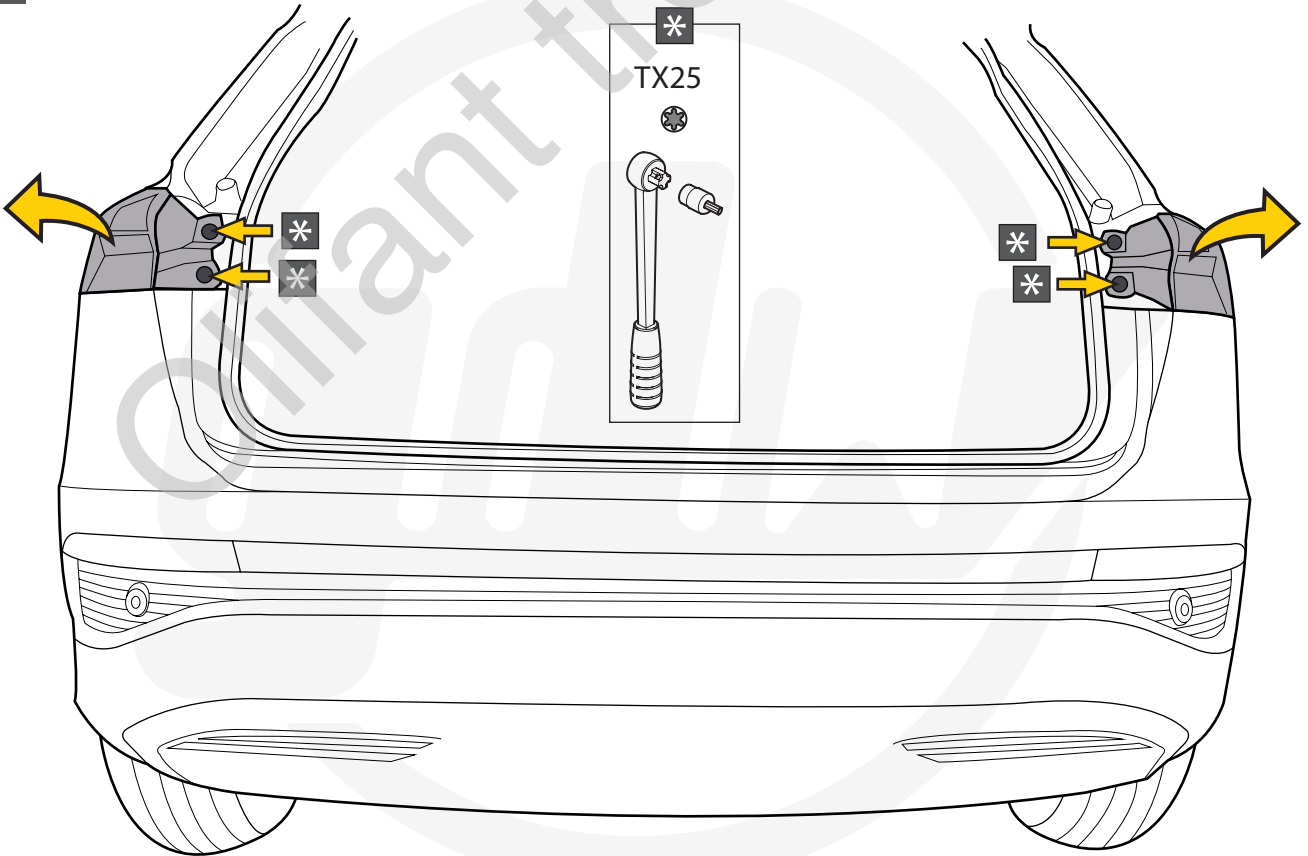
-P		X1	GDW REF. P46
↑		X1	DIN985-M6
↑		X2	6,2 X 15,4 X 1,6 (NYLON)
↑		X1	GDW REF. 718.16.002
↑		X1	GDW REF. 718.16.003
↑		X1	GDW REF. 908.094
↑		X1	DIN933-M6 X 30
↑		X1	GDW REF. 908.101

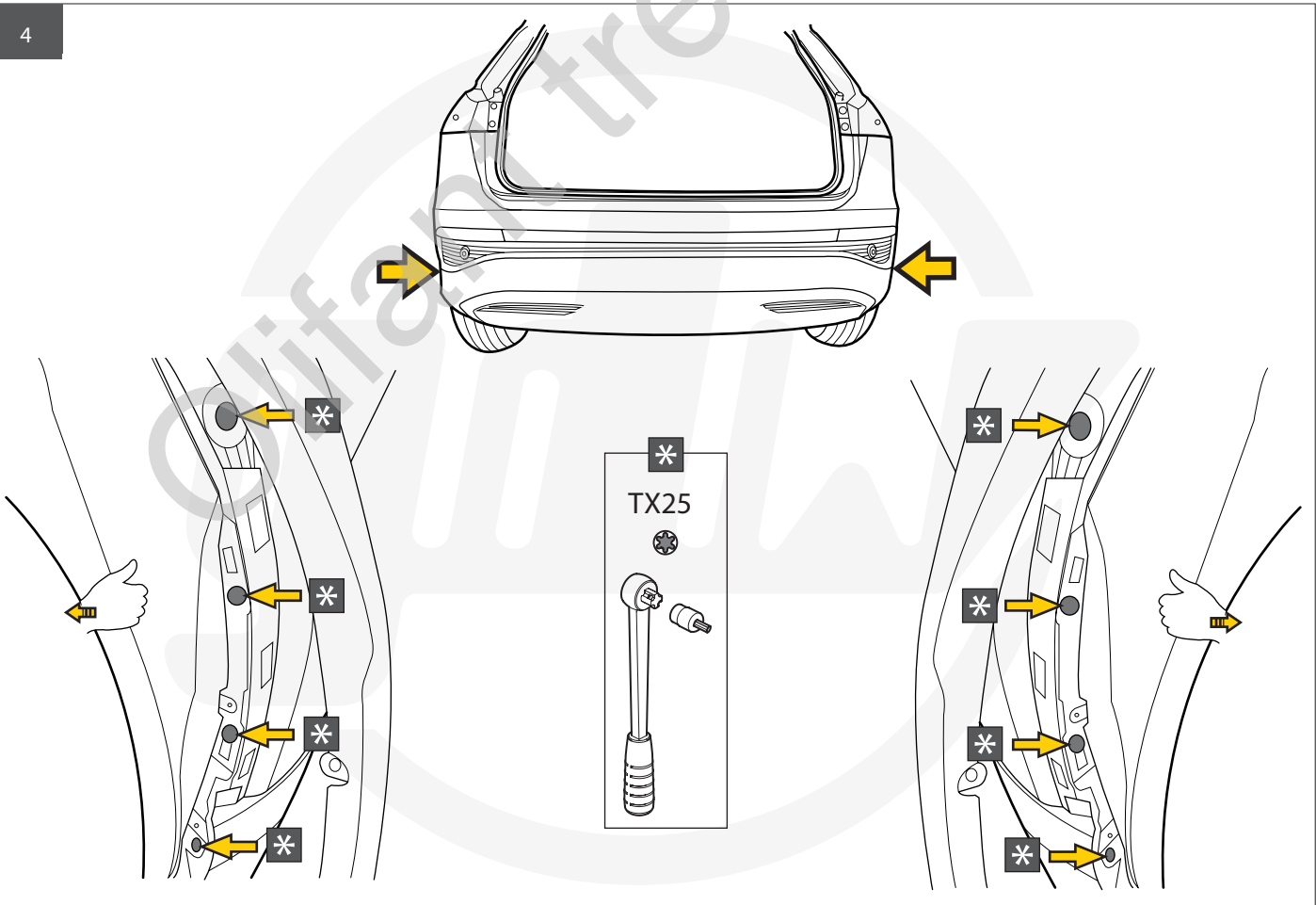
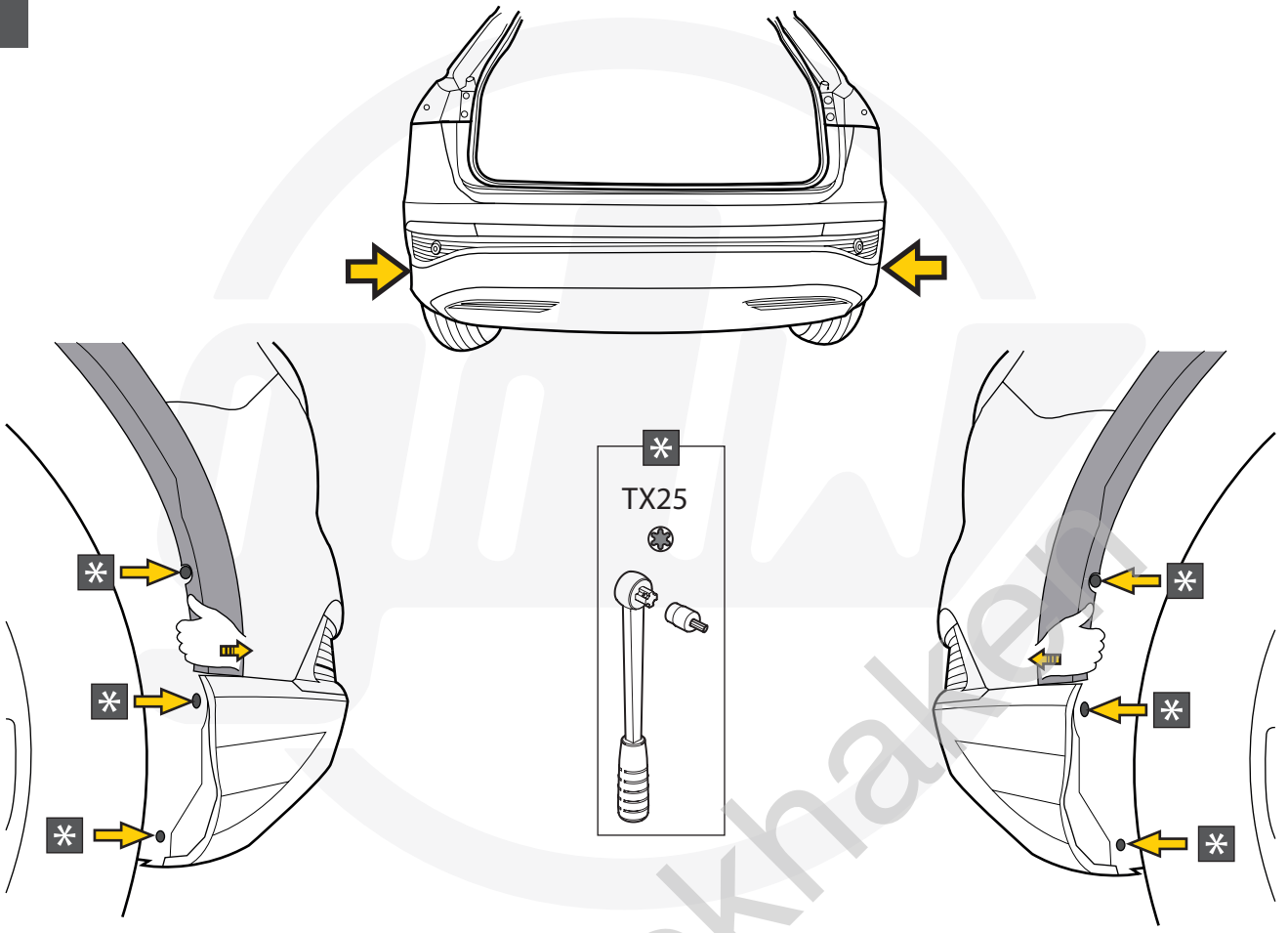
Geleverd met - Livré avec - Delivered with Geliefert mit - Elementos adjuntos-Leveres med		X1	GDW REF. 960.V0606
	↑ 	X1	GDW REF. 740.200
		X1	GDW REF. 912.003
	↑ 	X1	GDW REF. 740.112
	↑ 	X1	GDW REF. 740.111
		X1	GDW REF. 740.12X X= LAST NUMBER ON KEY
		X1	GDW REF. 718.15.001
		X1	GDW REF. SYST60-10
	↑ 	X3	DIN931-M12X110-8.8
	↑ 	X3	DIN128A-M12
	↑ 	X6	DIN125A-M12
	↑ 	X3	DIN934-M12

1

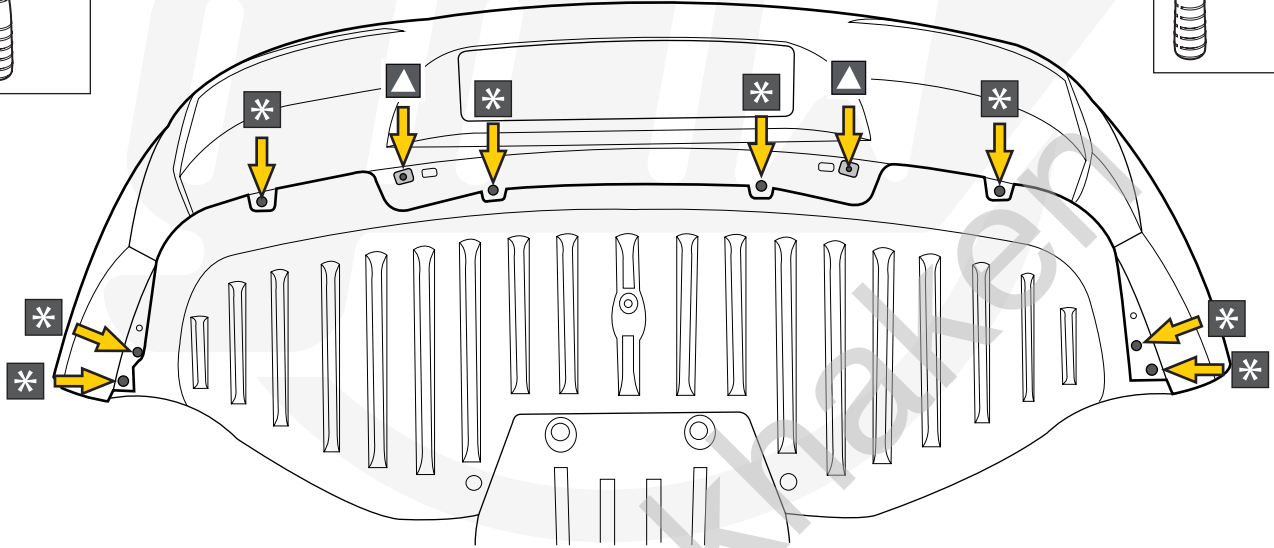
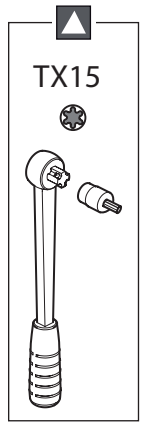
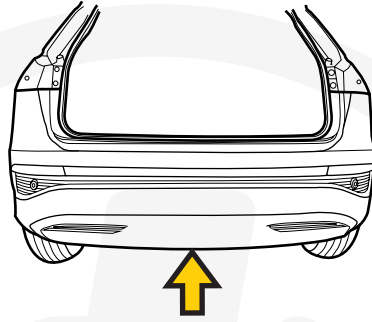
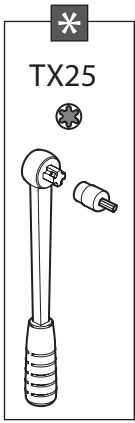


2

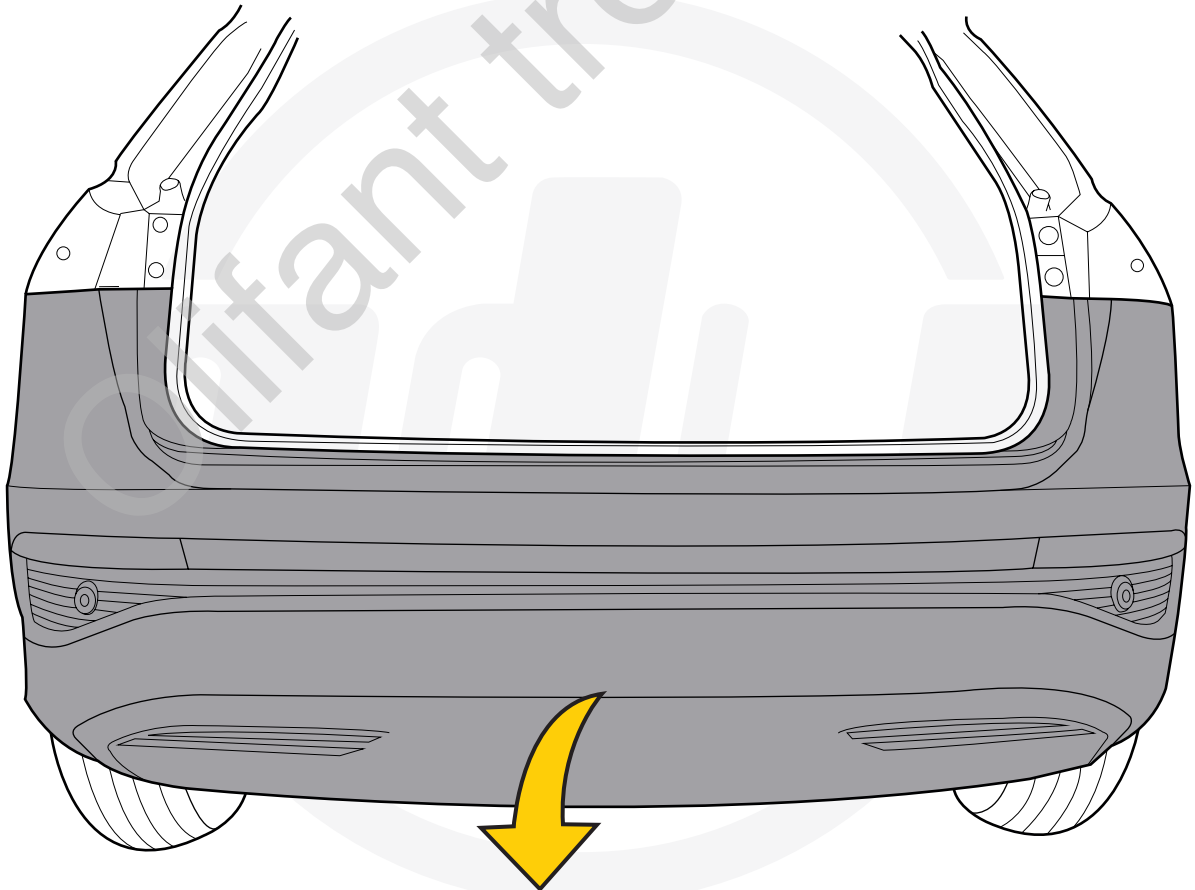




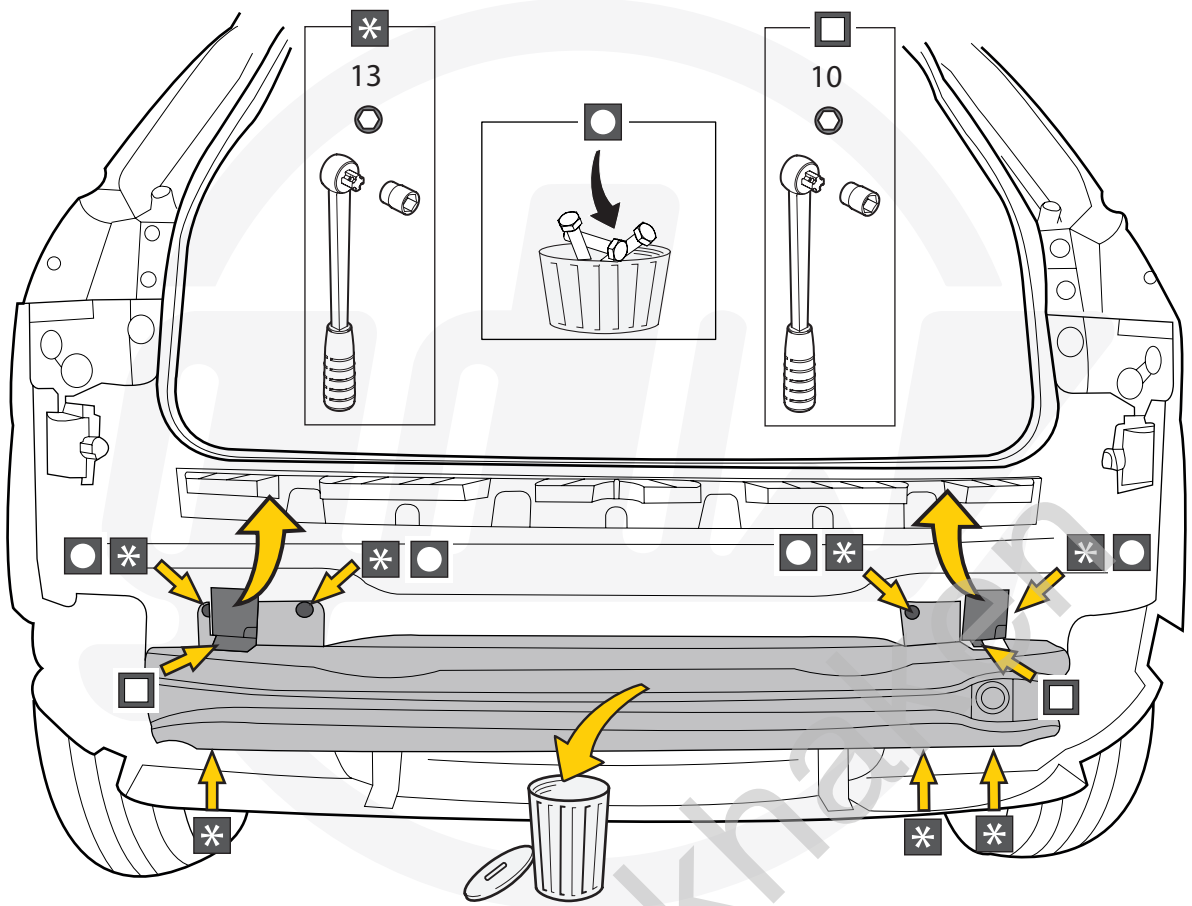
5



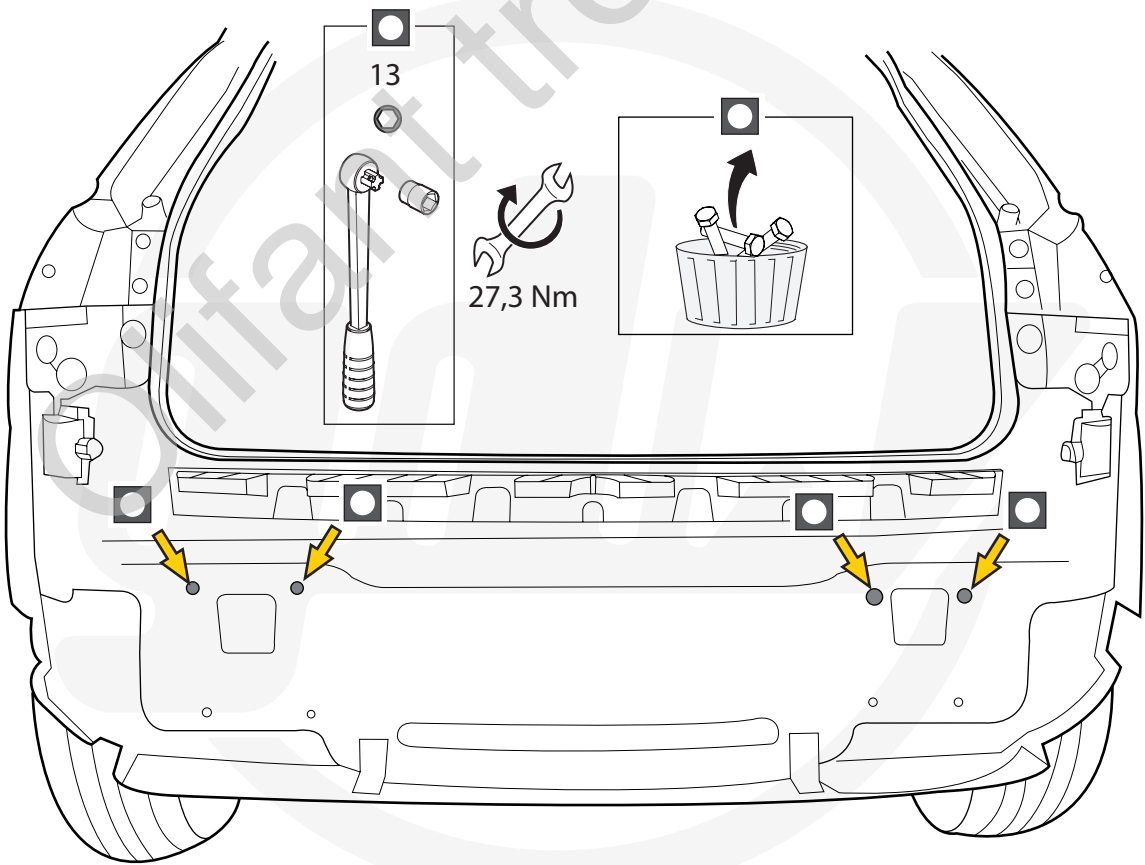
6

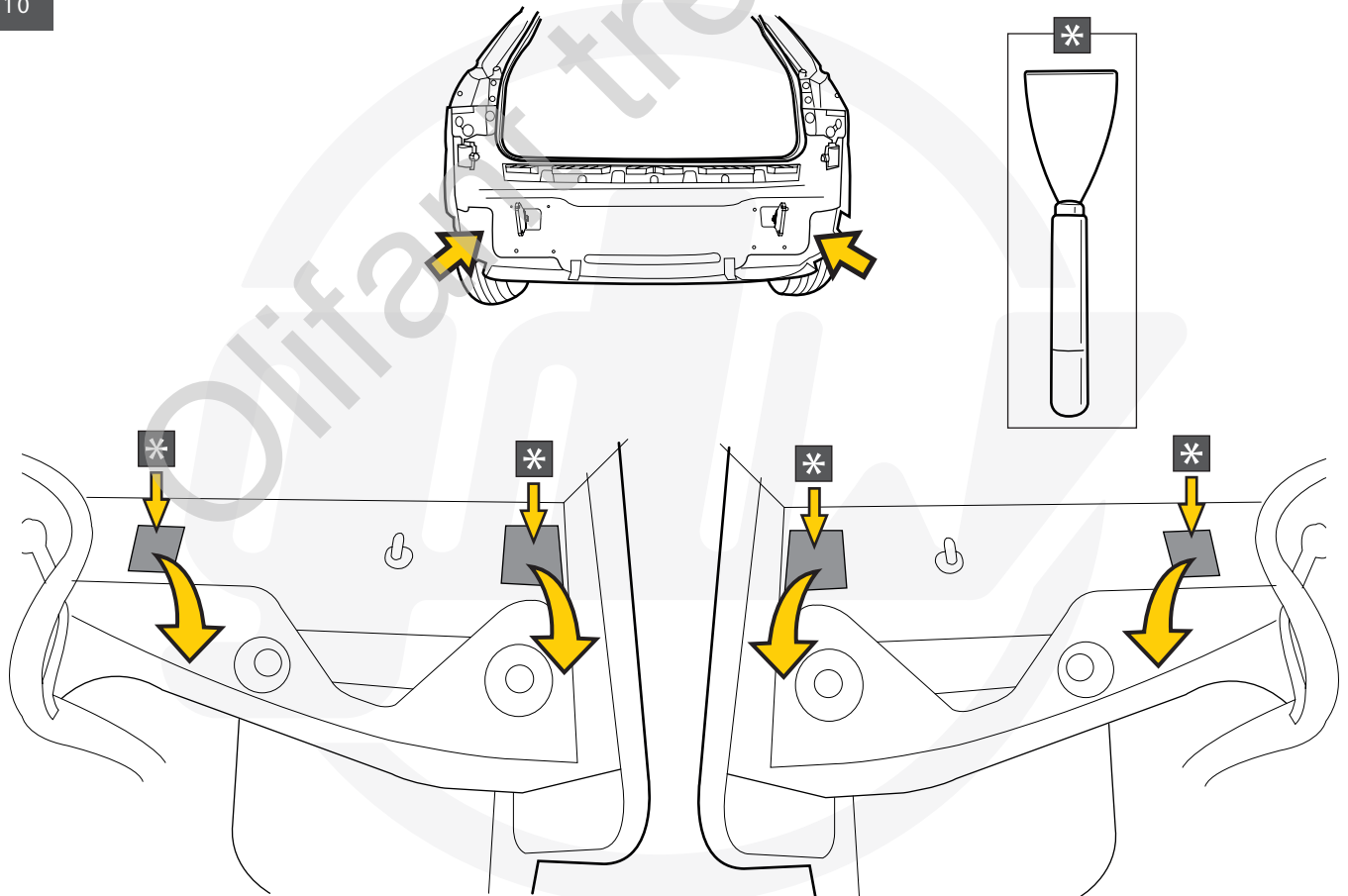
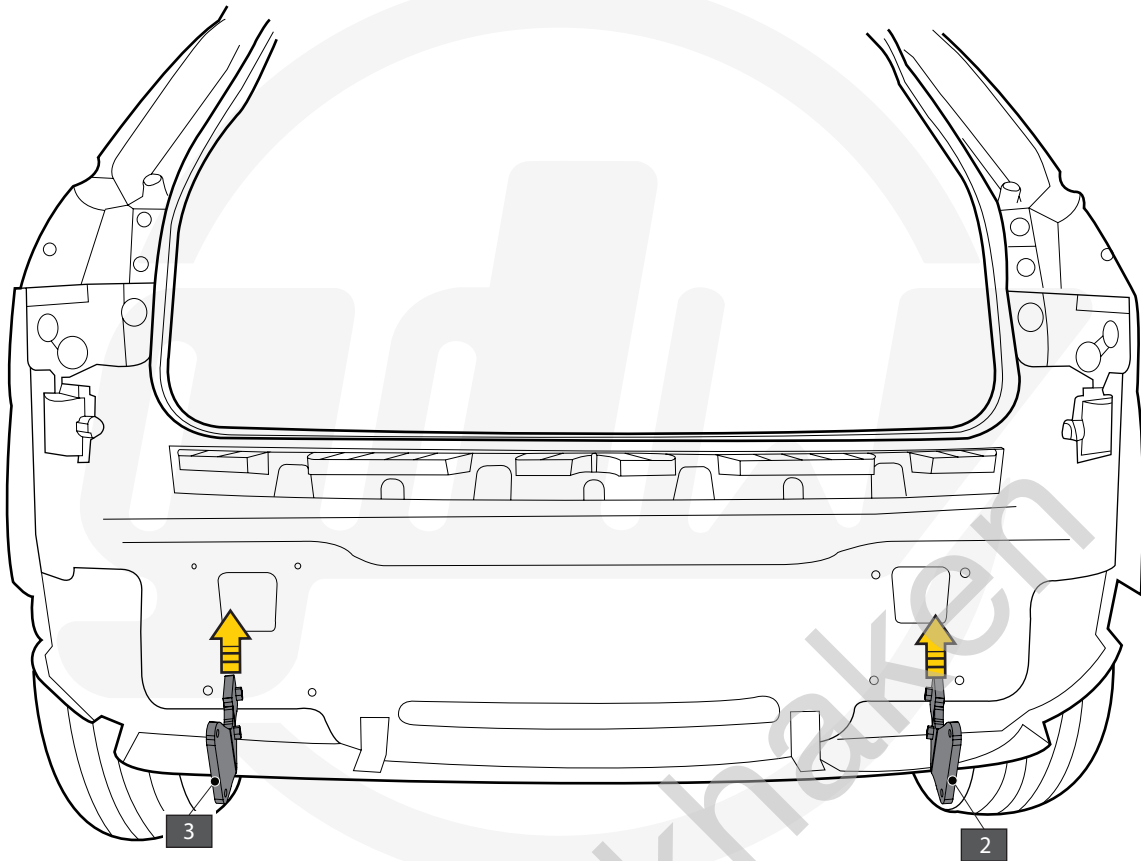


7

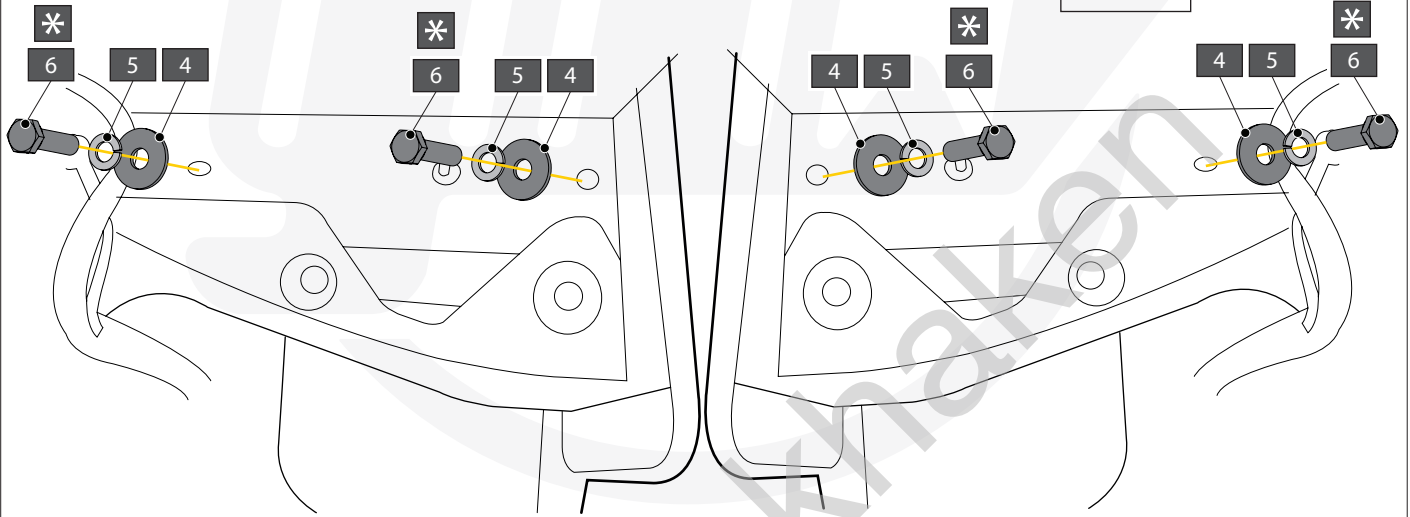
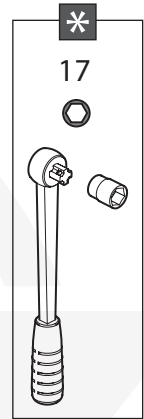
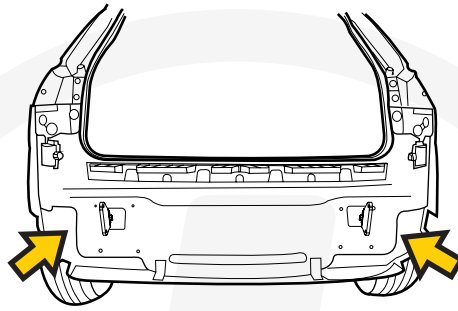


8

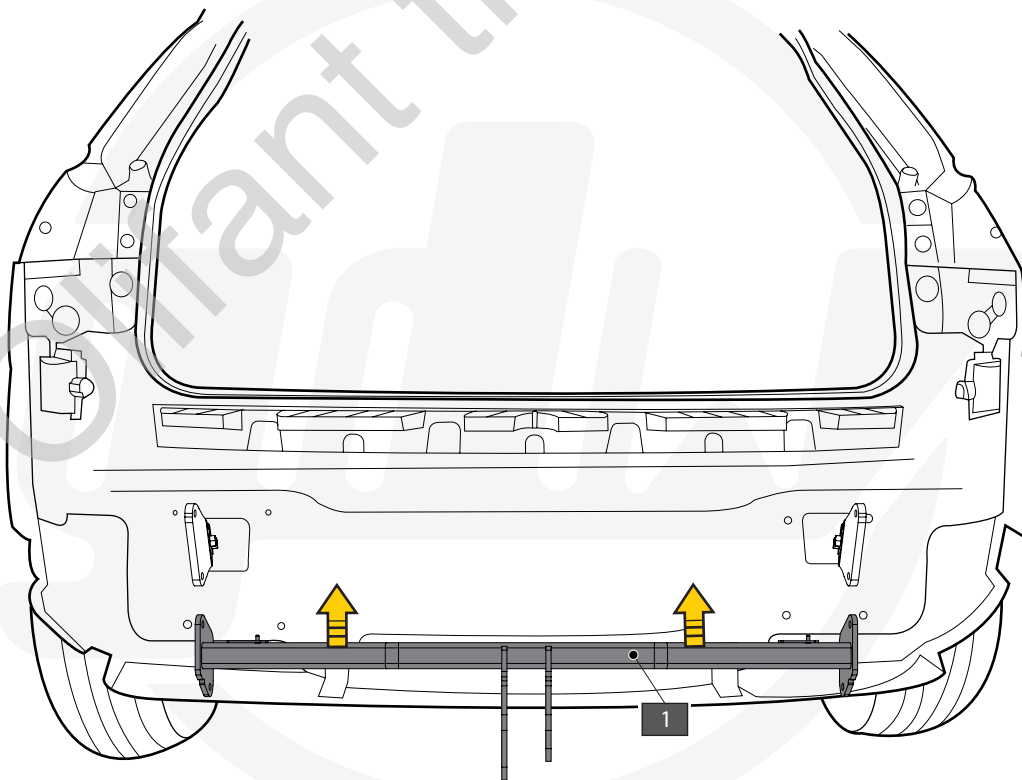


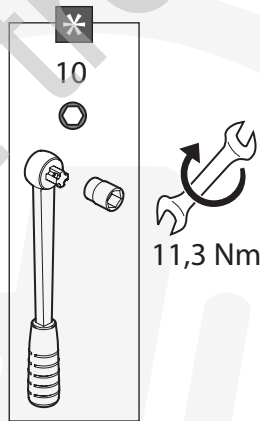
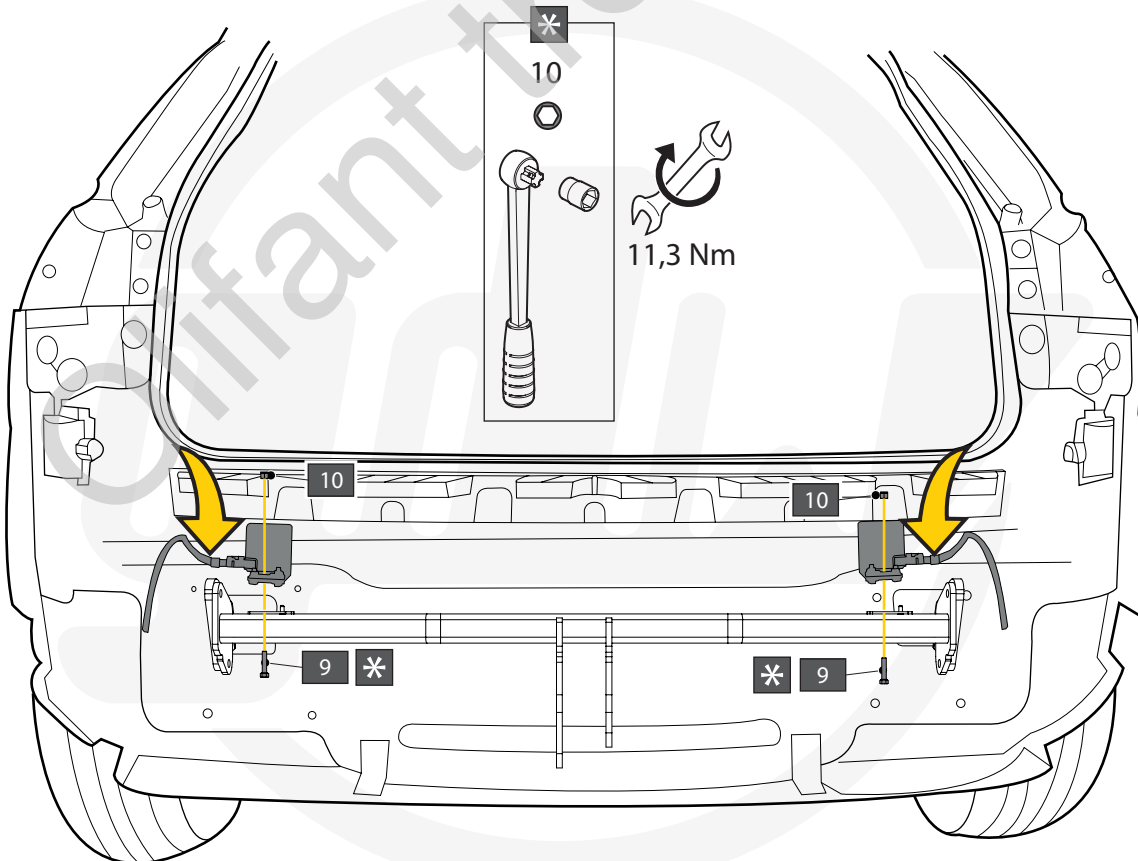
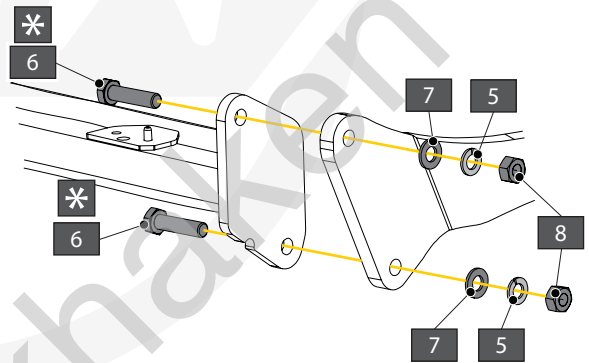
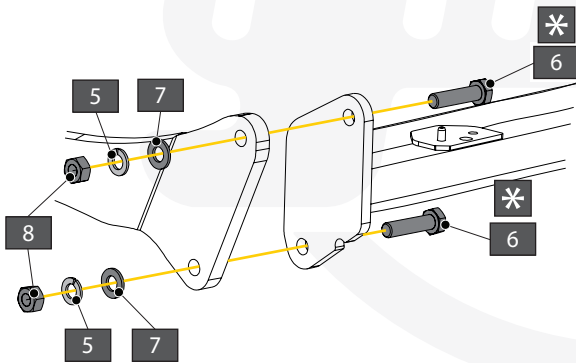
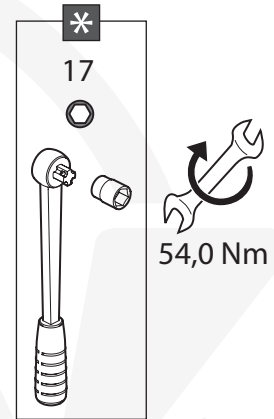
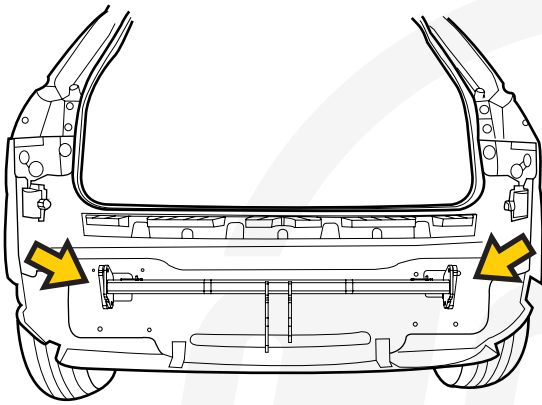


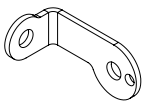



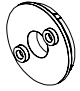
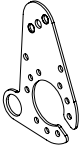

11

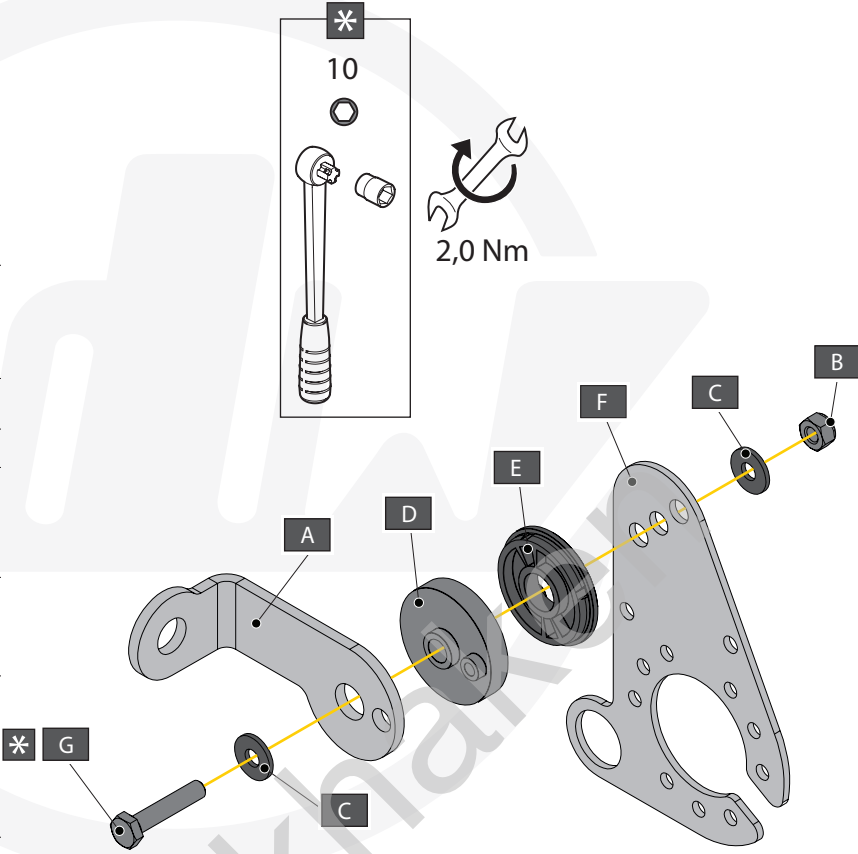


12



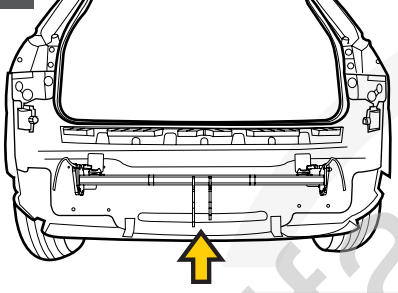




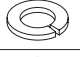


A		X1 GDW REF. 908.101
B		X1 DIN985-M6
C		X2 Ø15,4 X 6,2 X 1,6 (NYLON)
D		X1 GDW REF. 718.16.002
E		X1 GDW REF. 718.16.003
F		X1 GDW REF. 908.094
G		X1 DIN933-M6 X 30

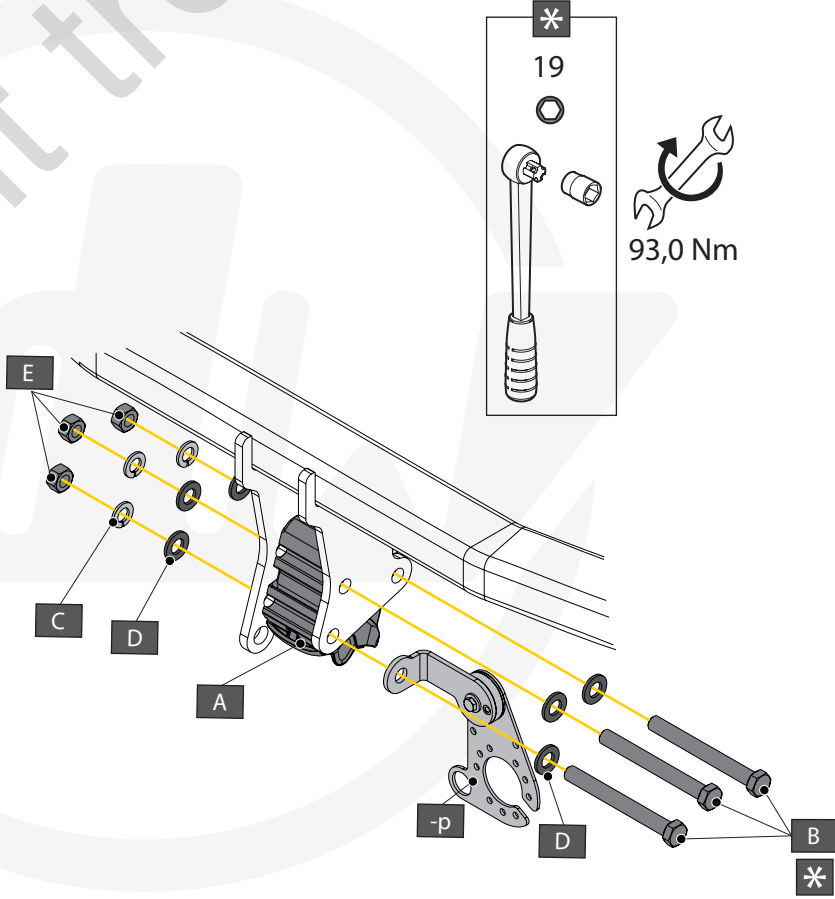


10

2,0 Nm



A		X1 GDW REF. 912.003
B		X3 DIN931-M12X110-8.8
C		X3 DIN128A-M12
D		X6 DIN125A-M12
E		X3 DIN934-M12



19

93,0 Nm

