

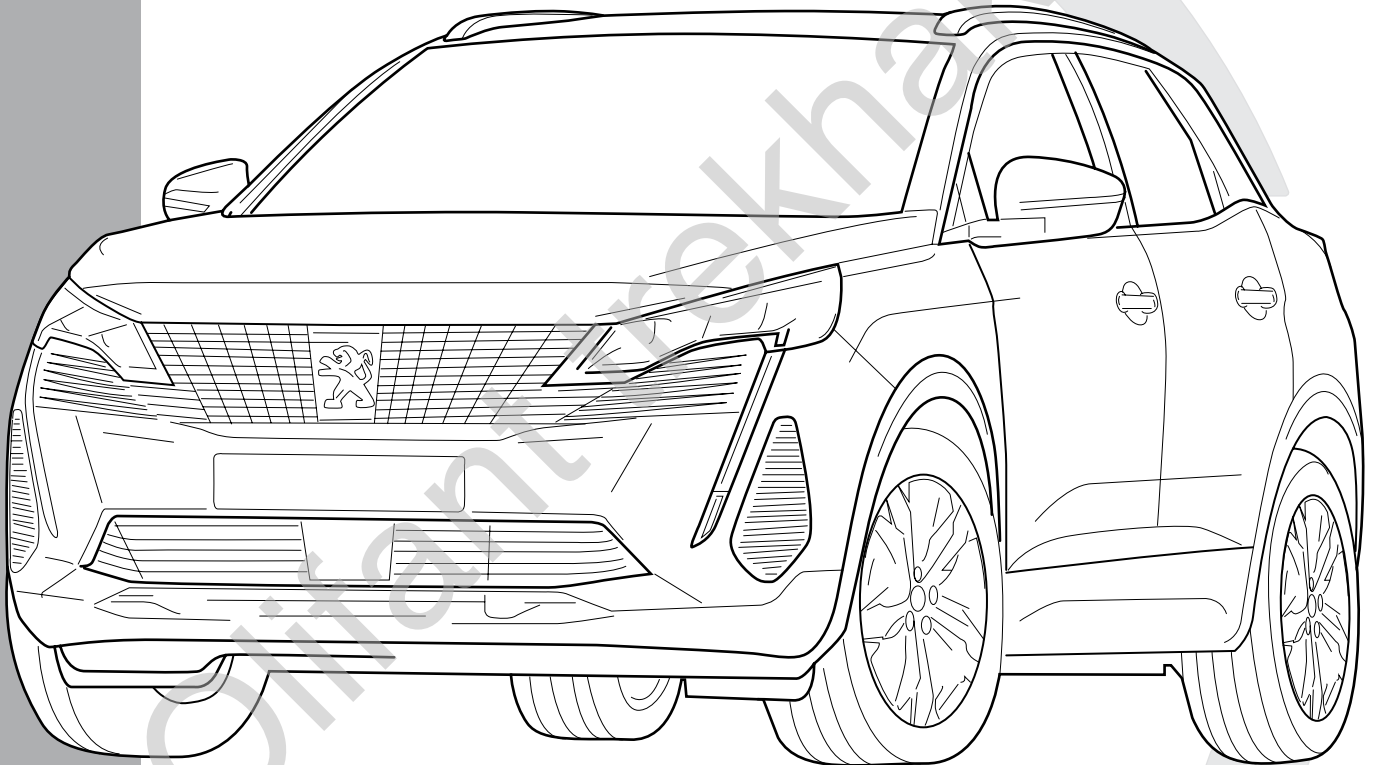


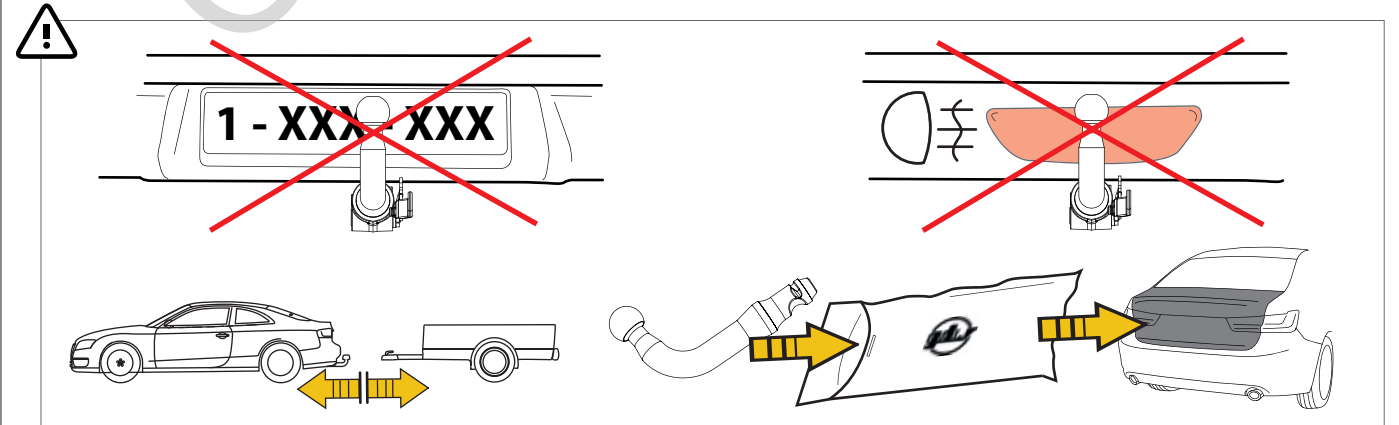
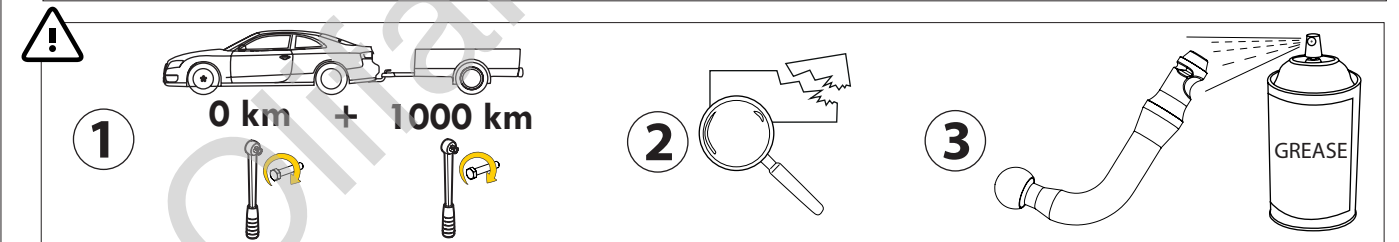
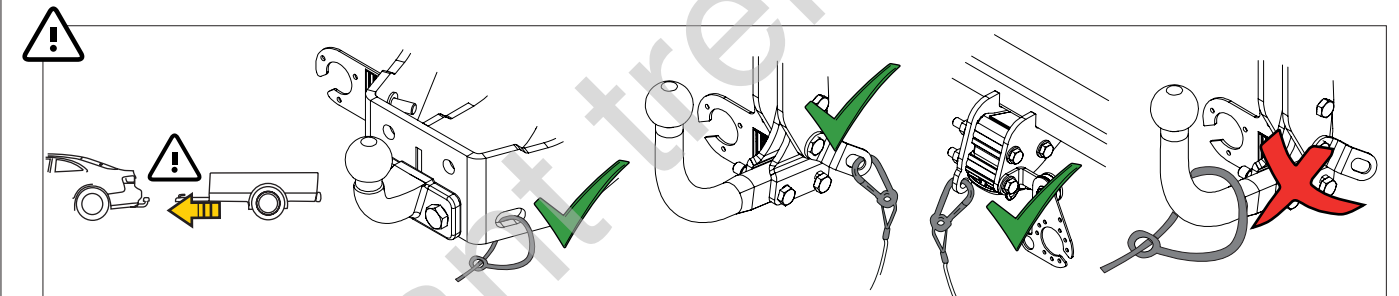
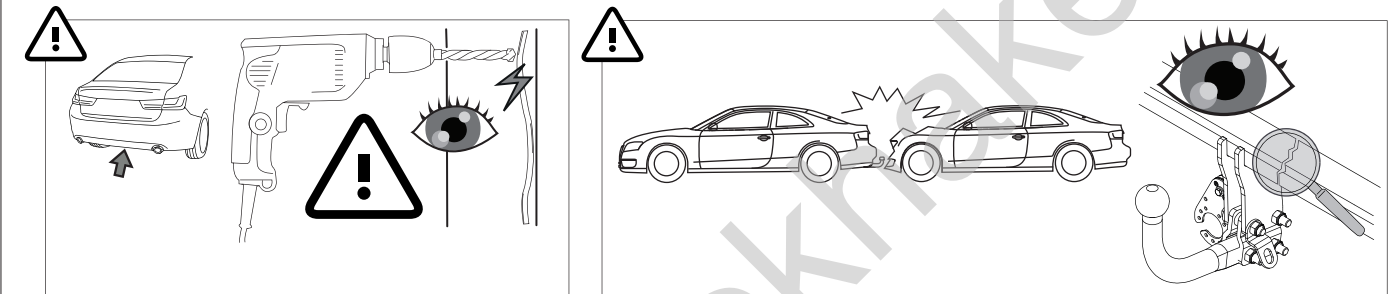
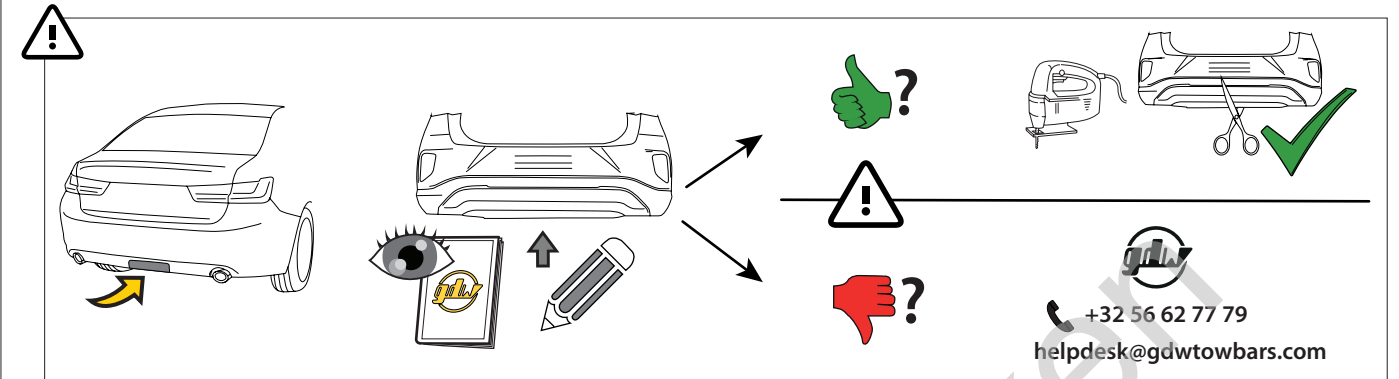
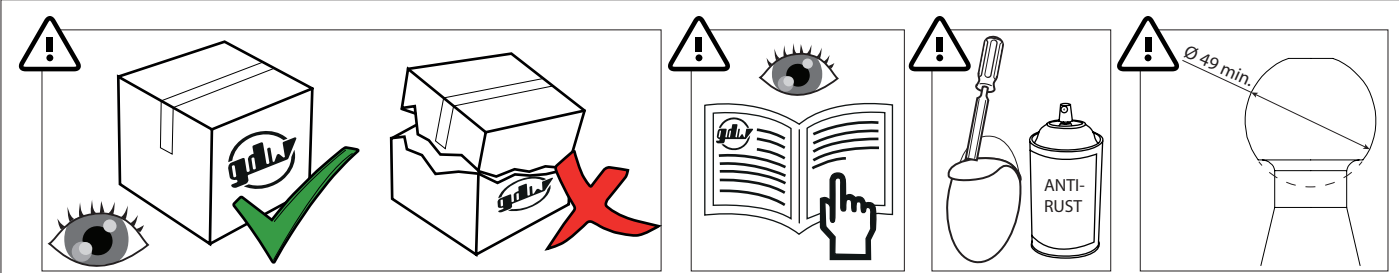
Peugeot 3008 Hybrid (M_)


10/'19-



✓ STANDARD

✓ VEHICLE WITH OPTION "HANDSFREE TAILGATE"

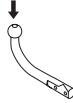
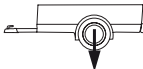




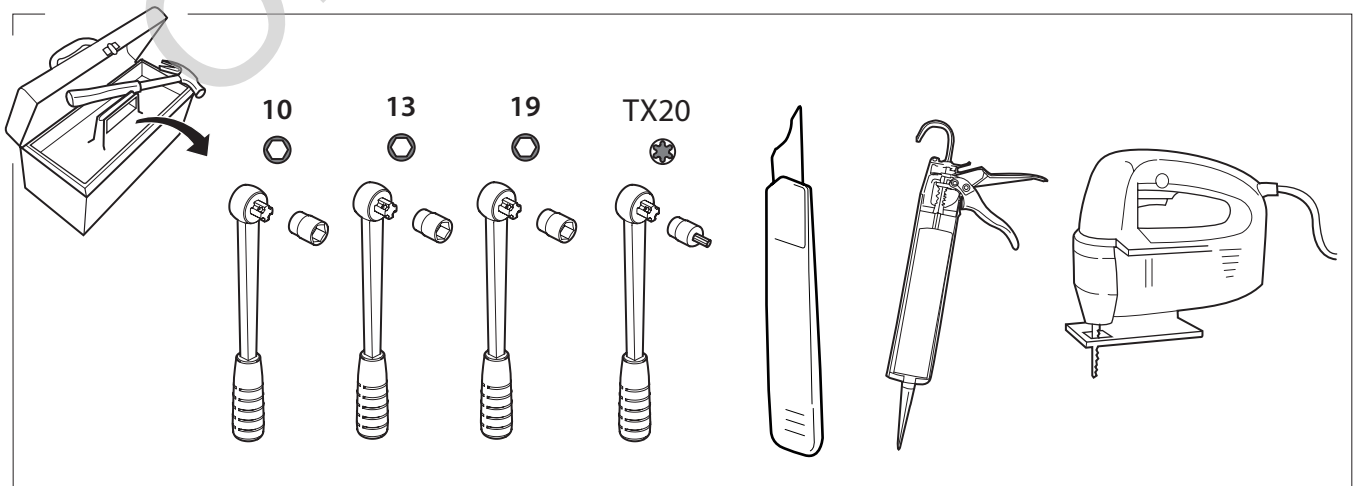
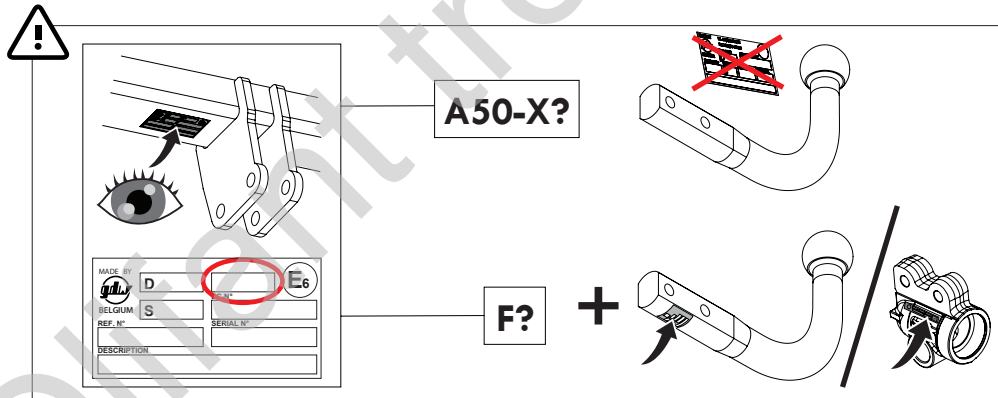
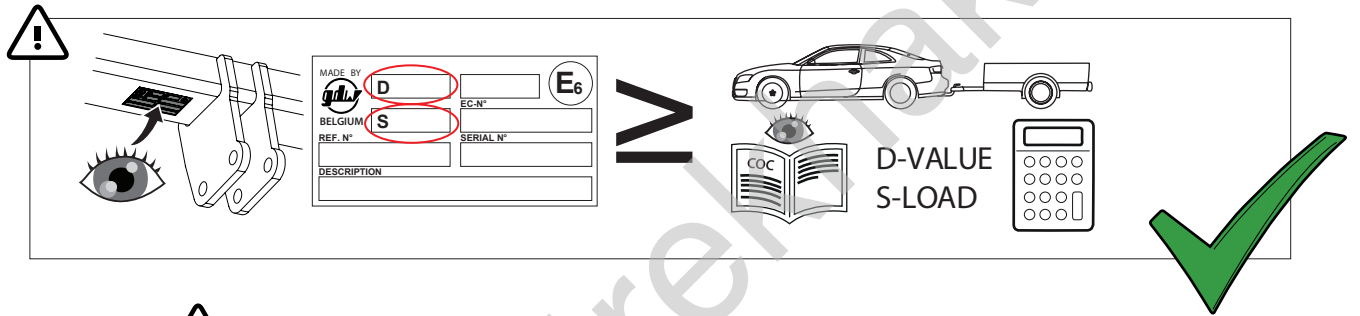
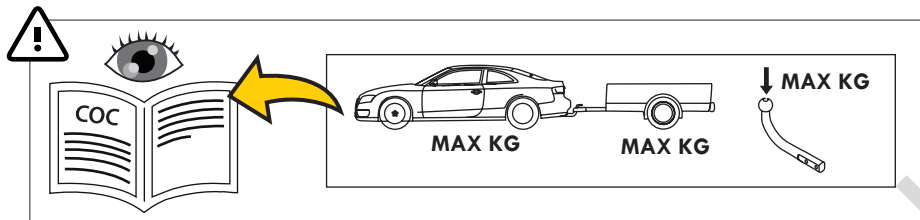
MADE BY 	D 8,25	F	E6
BELGIUM	S 80	EC-N° 55R-02 1724	
REF N° 2660T60		SERIAL N° XXXX	
DESCRIPTION Peug 3008 hybrid 10/'19-			

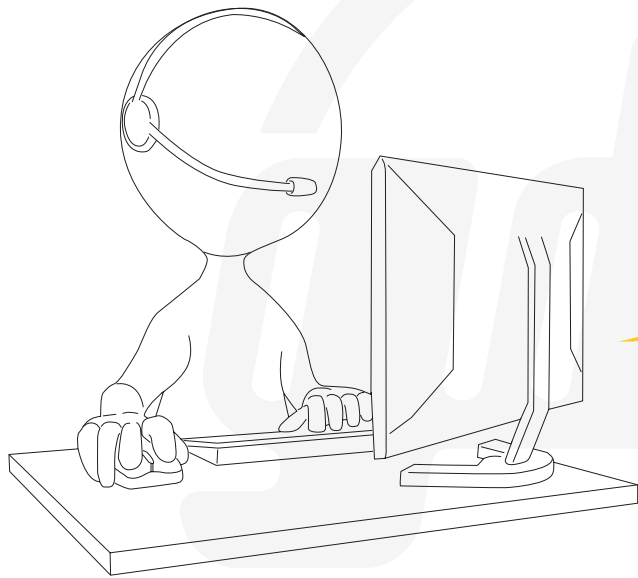
 

$$D = \frac{\text{max kg (car)} \times \text{max kg (trailer)}}{\text{max kg (car)} + \text{max kg (trailer)}} \times 0.00981 \leq 8,25 \text{ kN}$$

S =  $\leq 80 \text{ kg}$  $\leq 1300 \text{ kg}$

See the Certificate Of Conformity (COC) of your vehicle or contact your dealer to verify the max. trailer weight of your car!

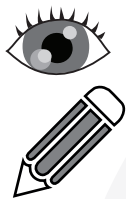




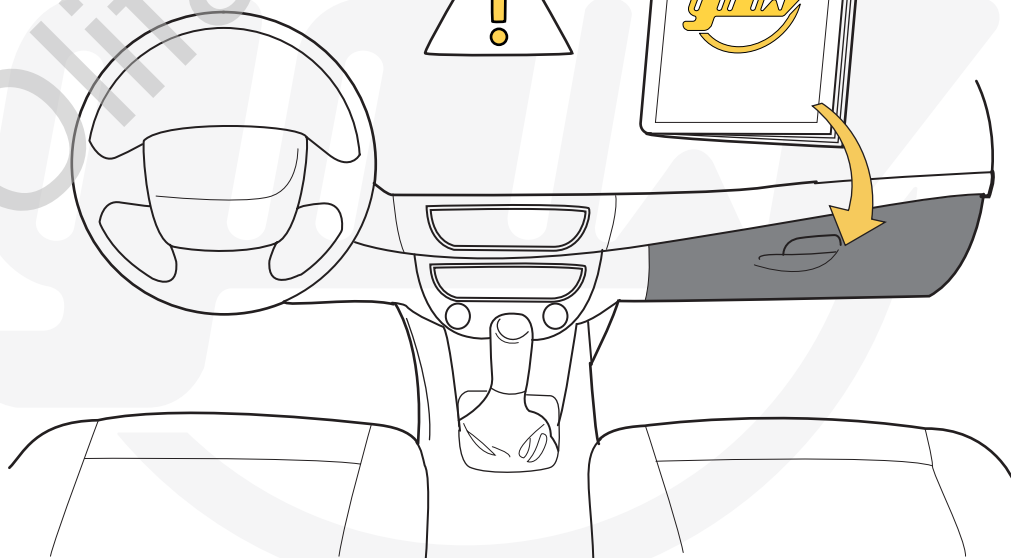
helpdesk@gdwtowbars.com

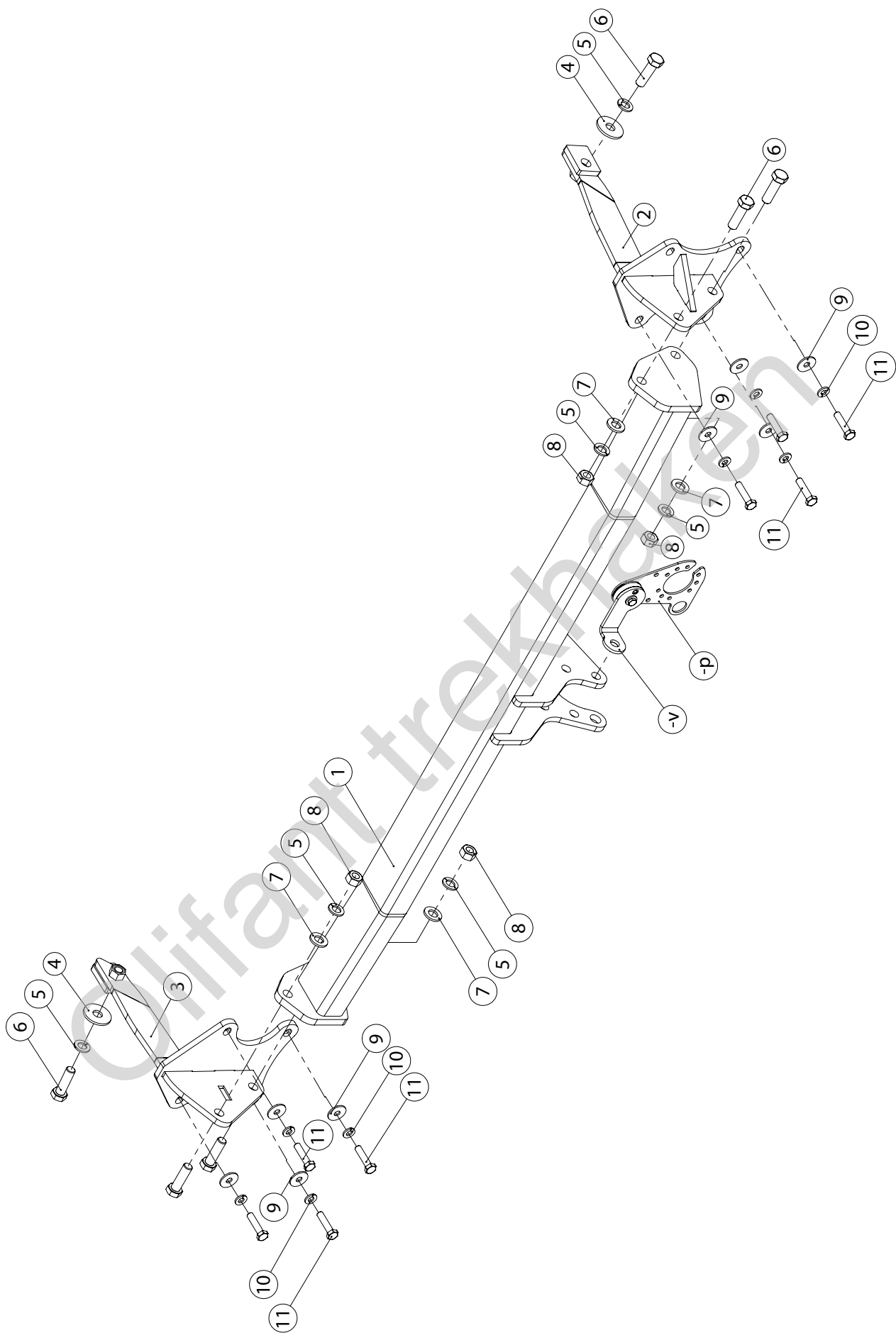
+32 56 62 77 79

Monday	08:00 - 12:00	12:30 - 16:30
Tuesday	08:00 - 12:00	12:30 - 16:30
Wednesday	08:00 - 12:00	12:30 - 16:30
Thursday	08:00 - 12:00	12:30 - 16:30
Friday	08:00 - 12:00	12:30 - 15:30

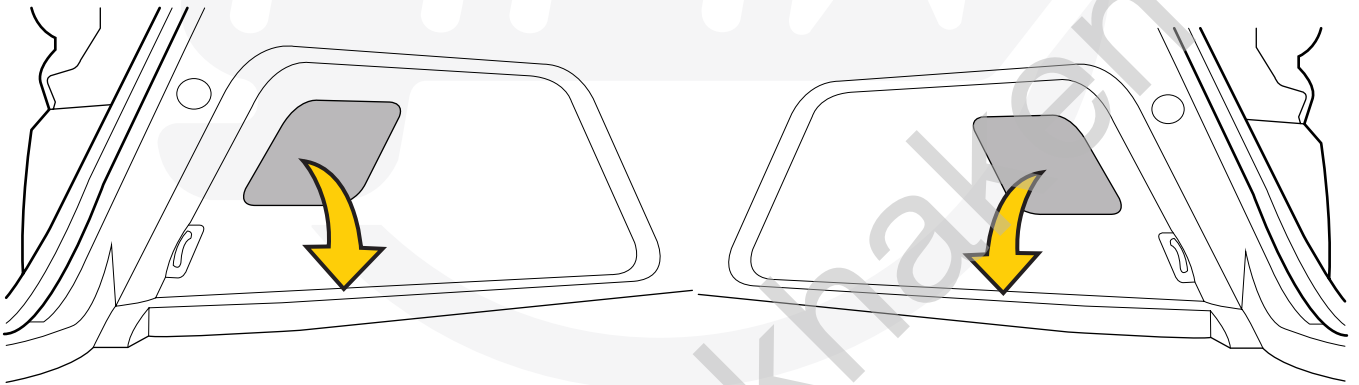
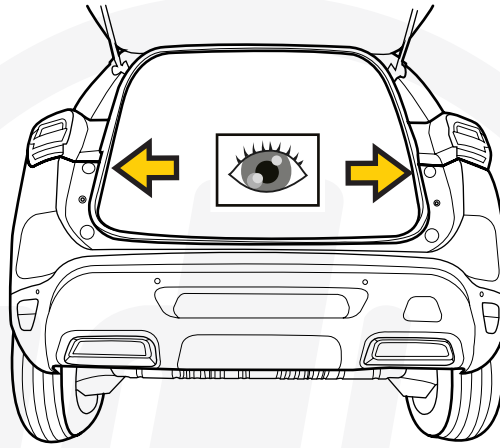


KEY NUMBER

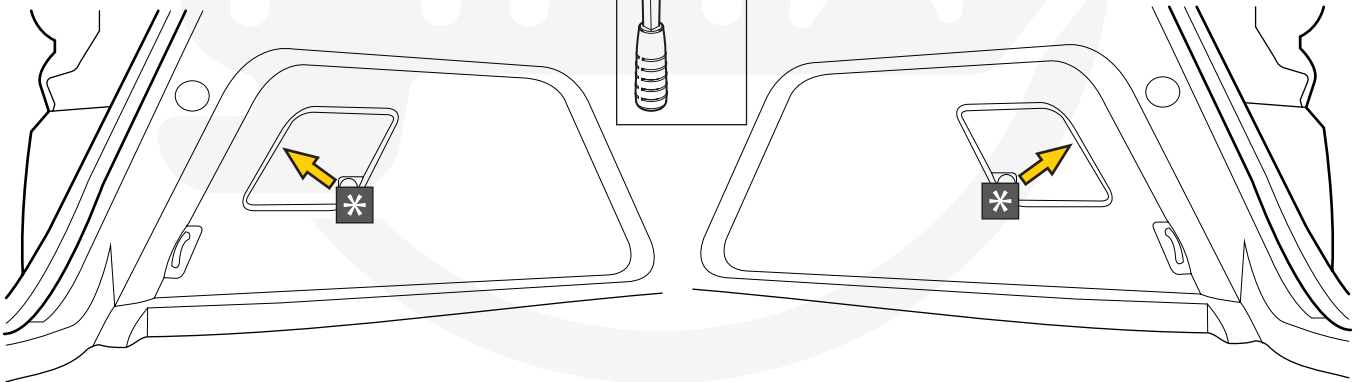
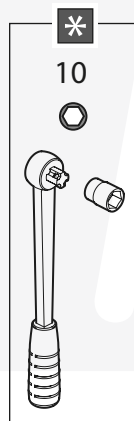
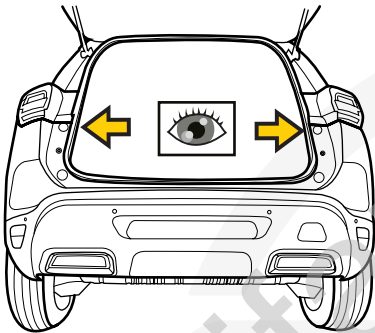


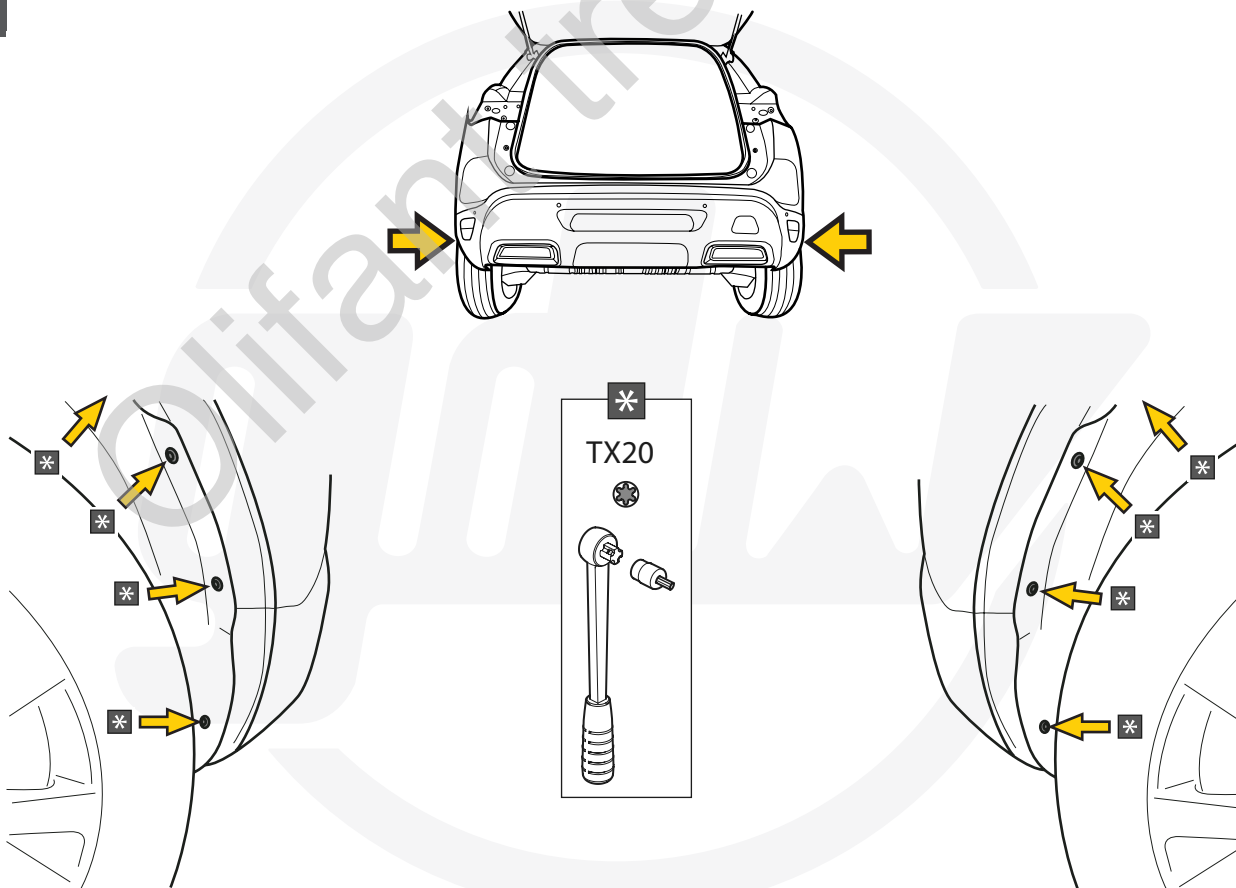
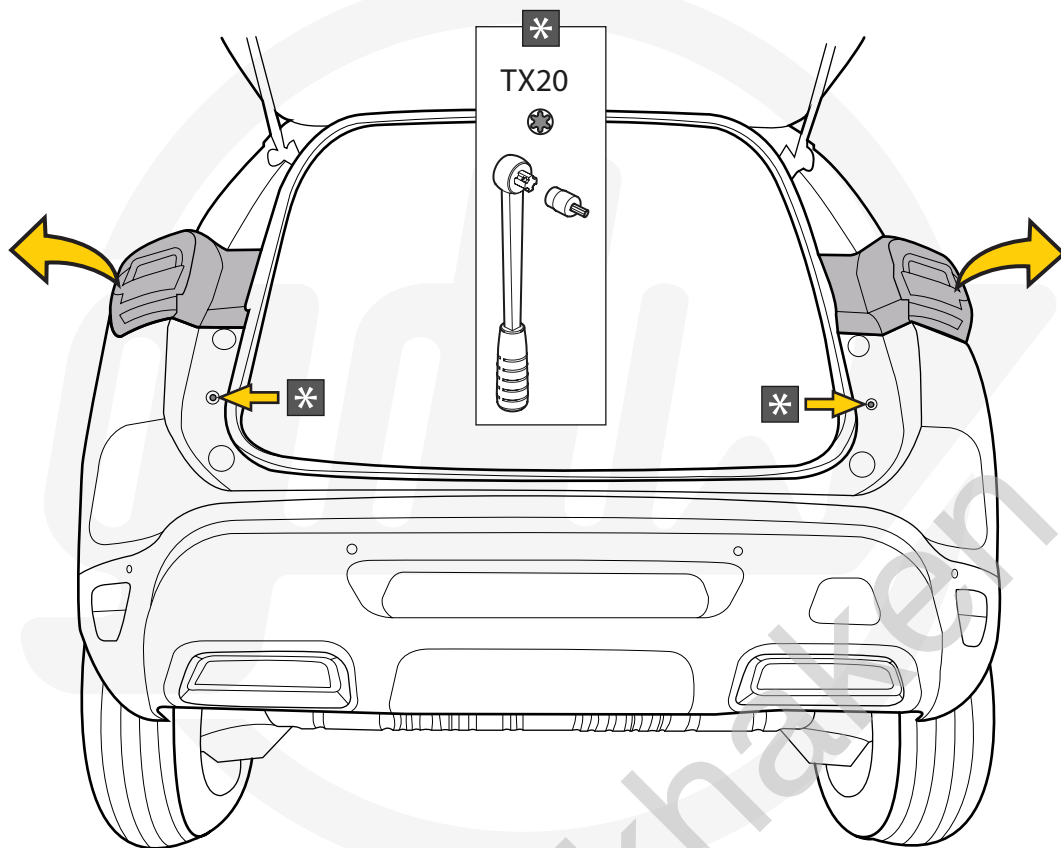


1

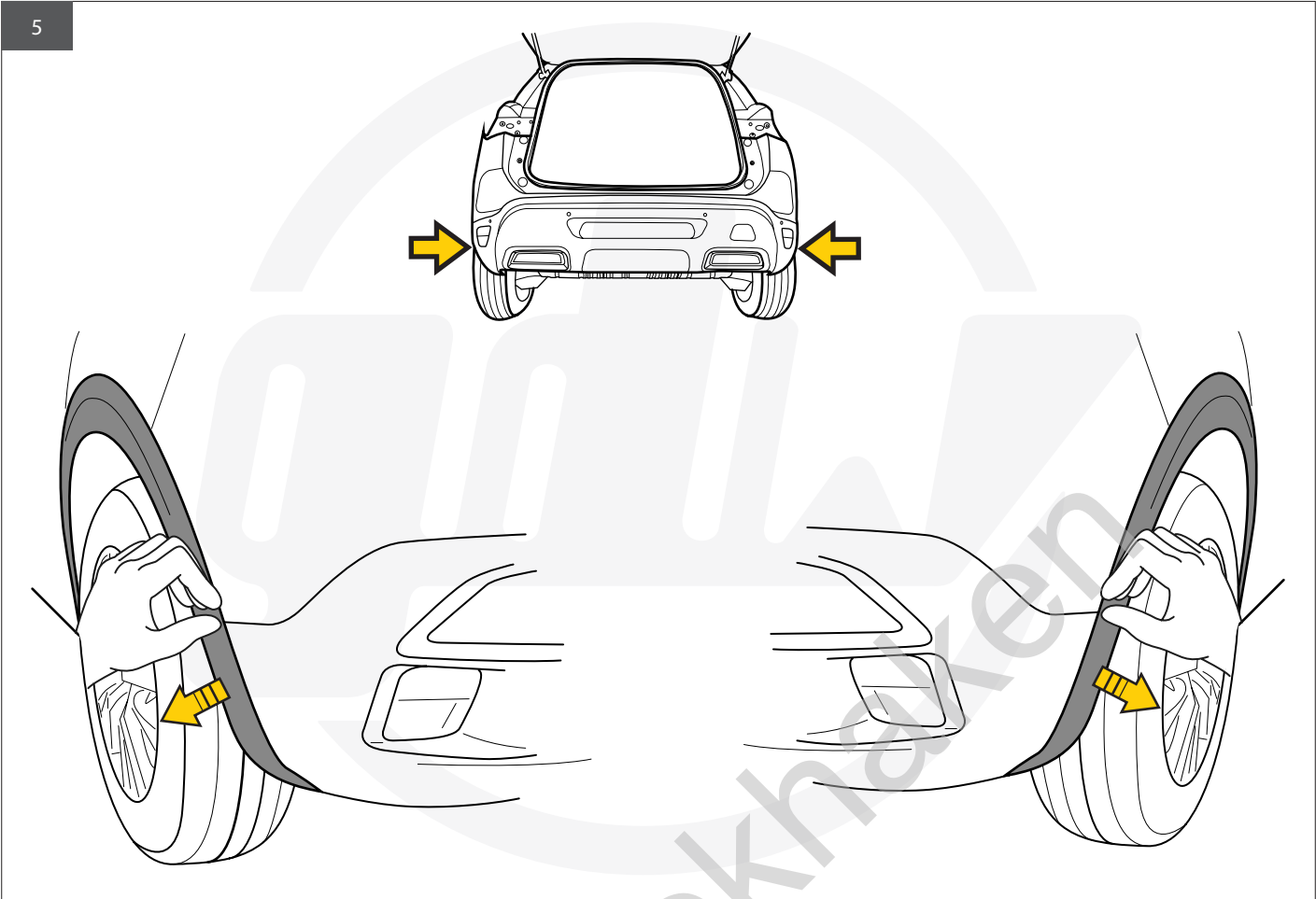


2

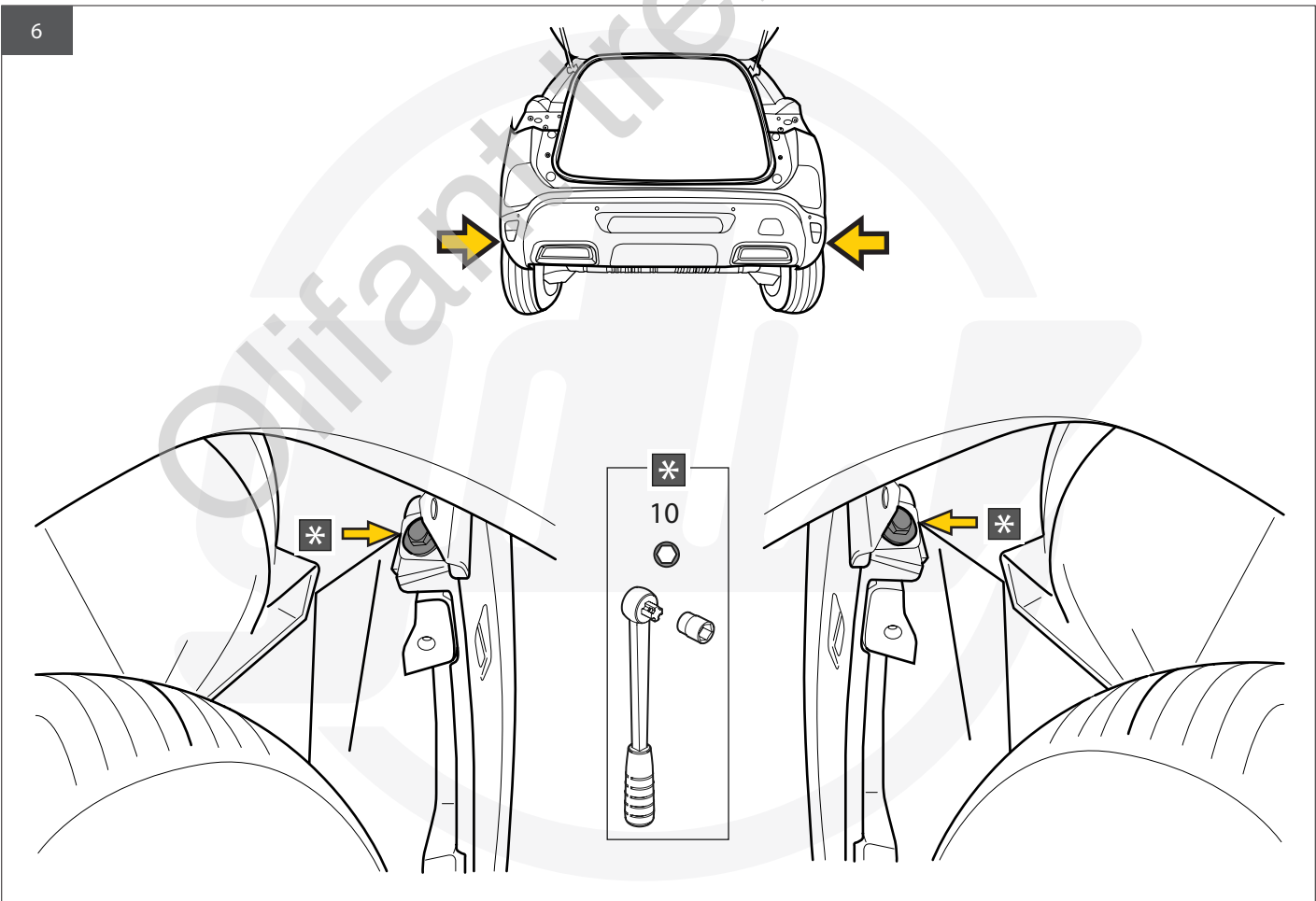




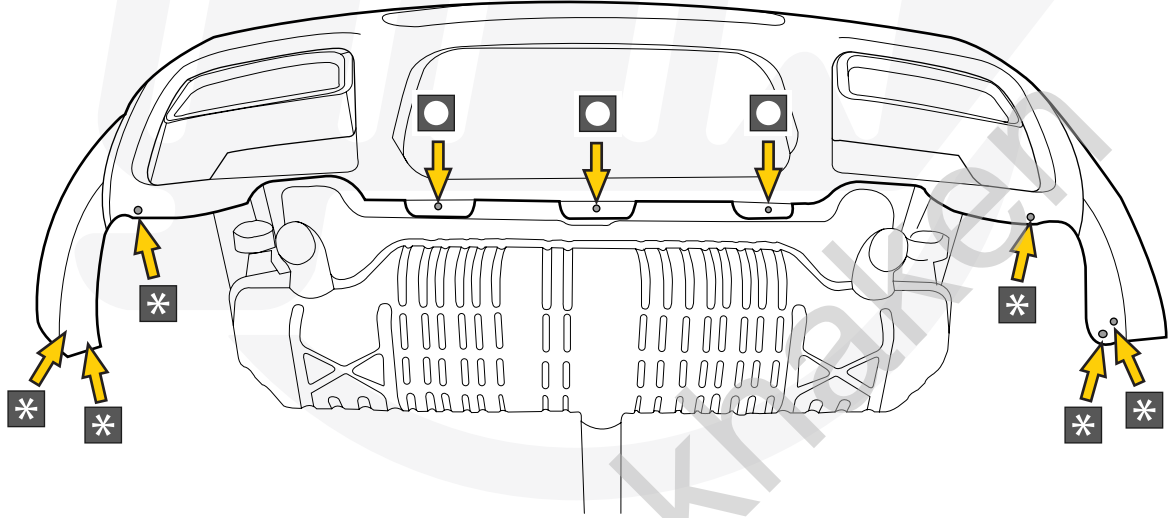
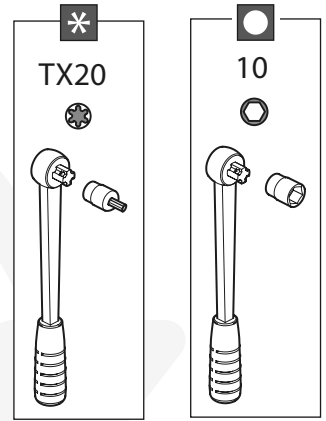
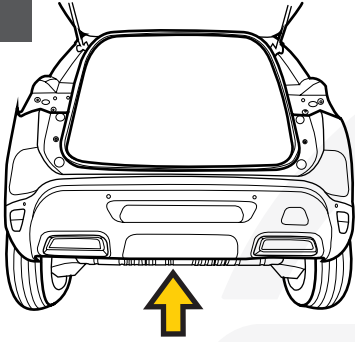
5



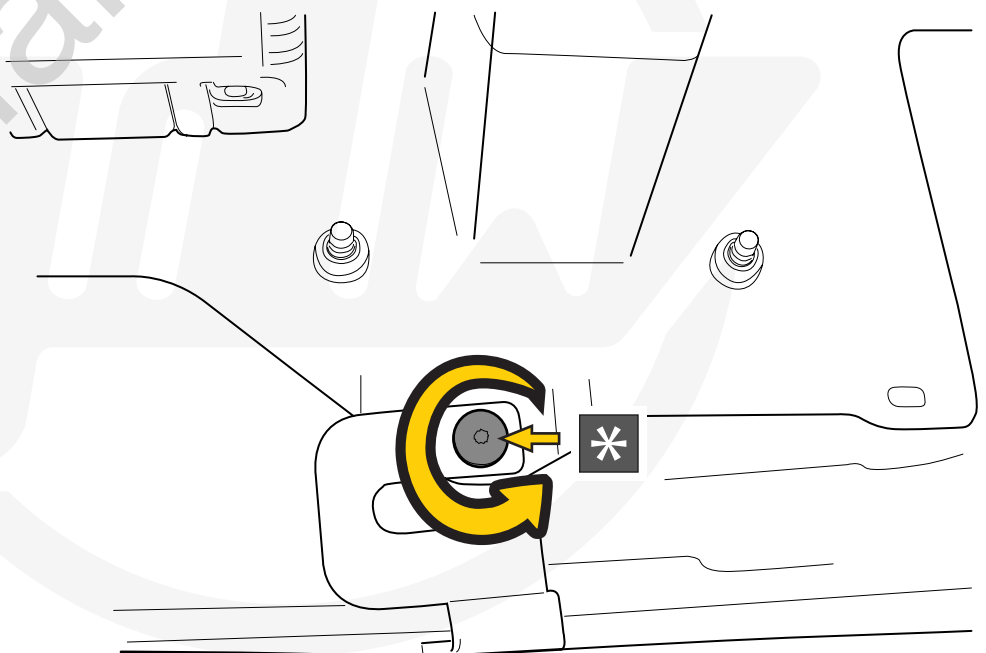
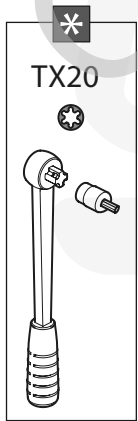
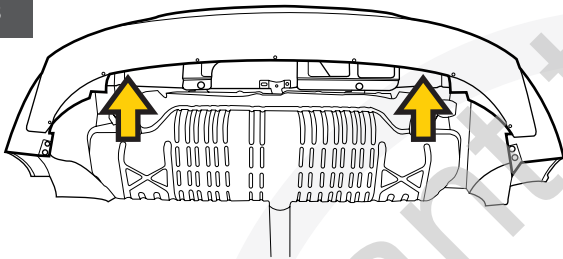
6

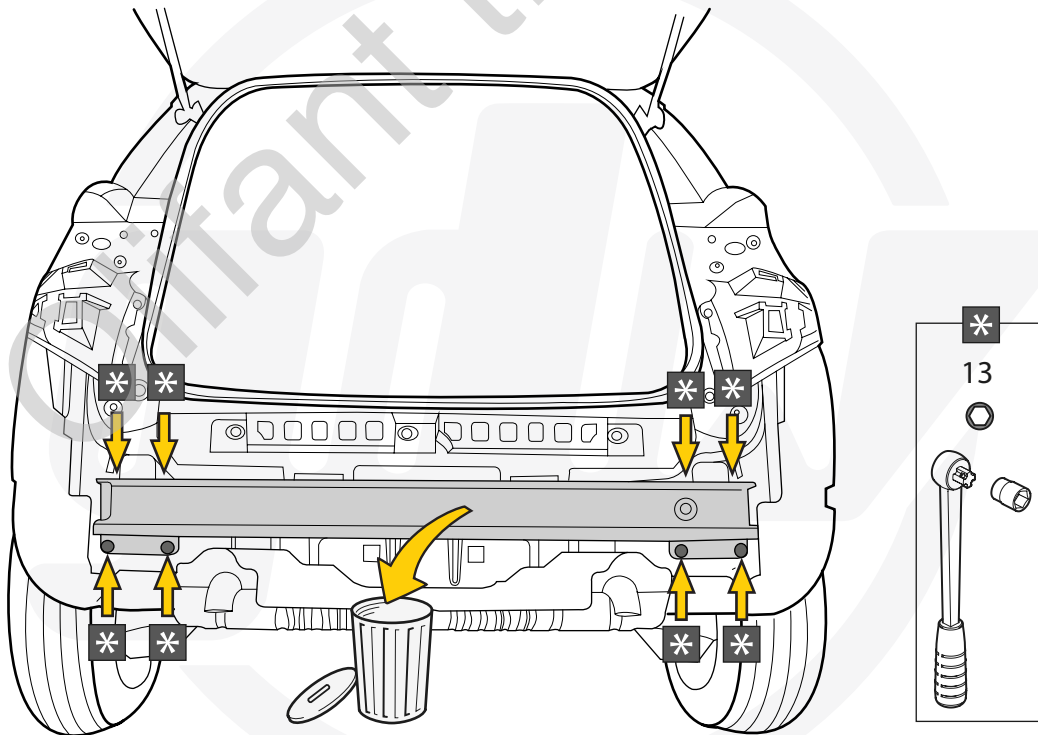
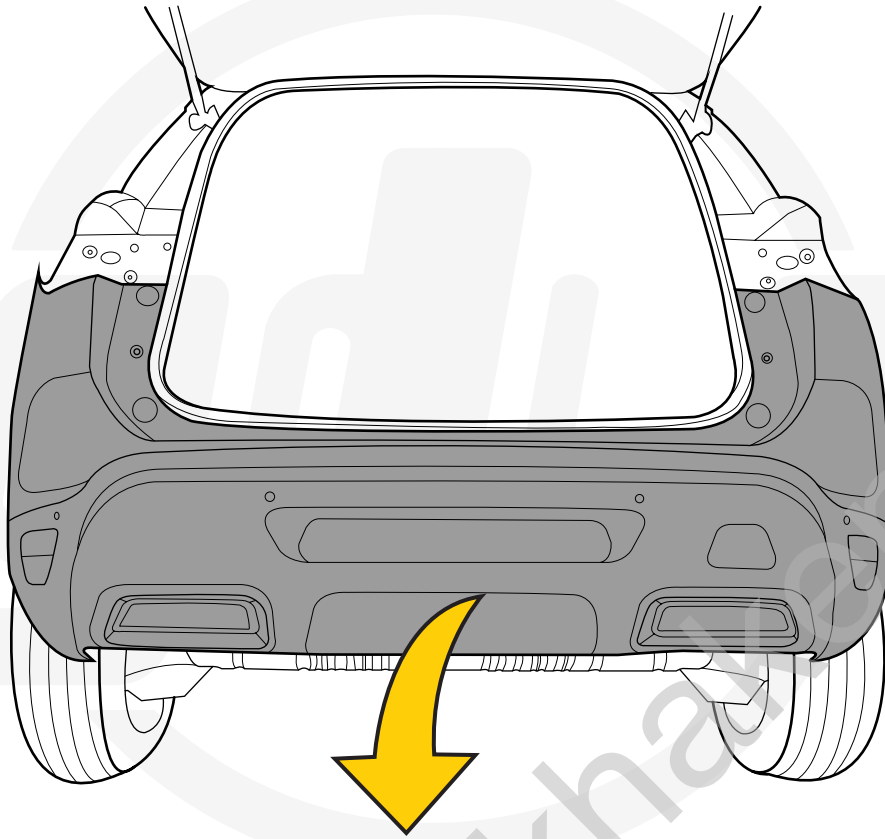


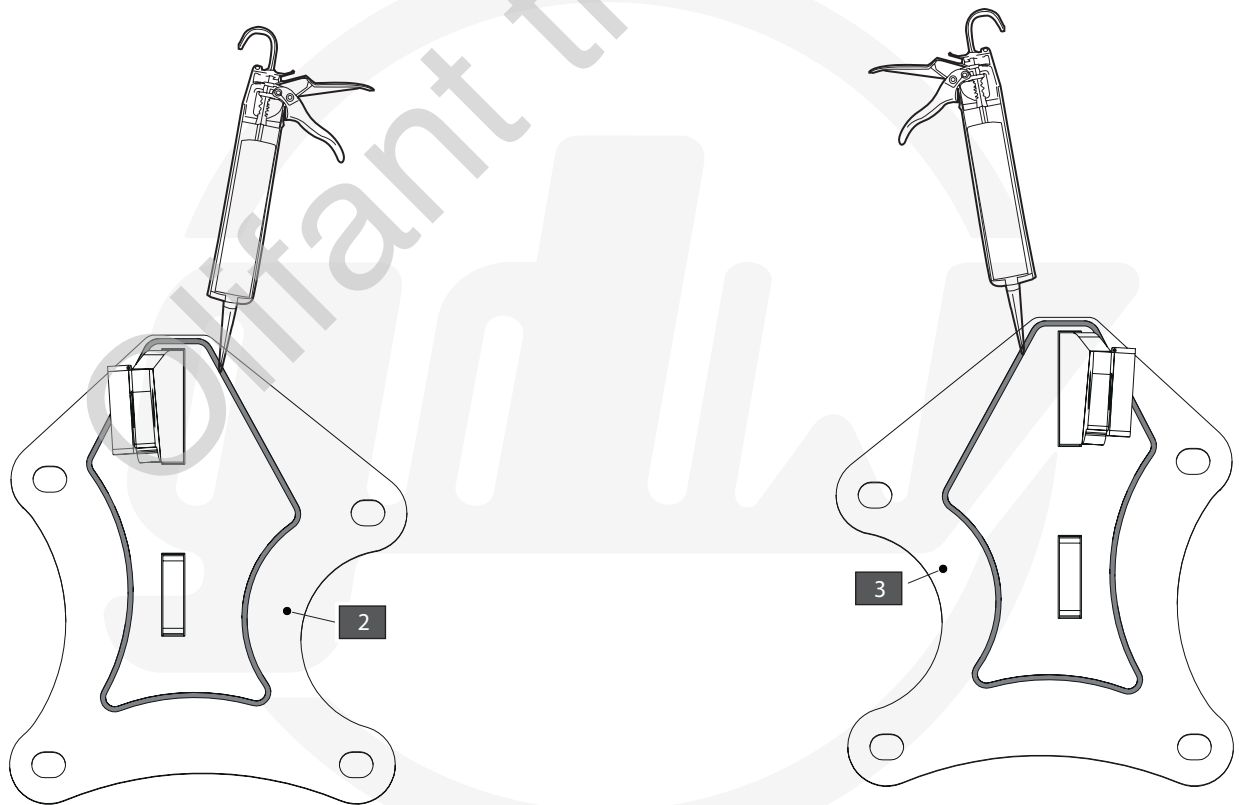
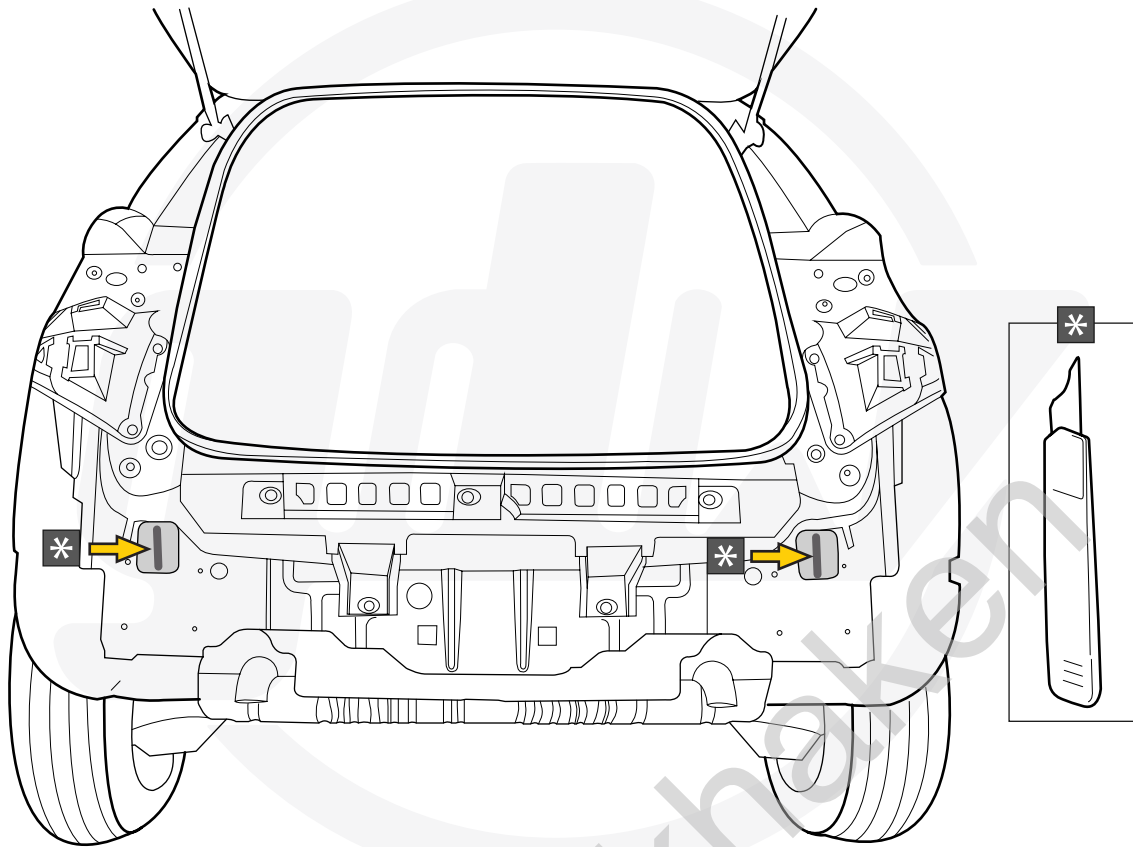
7

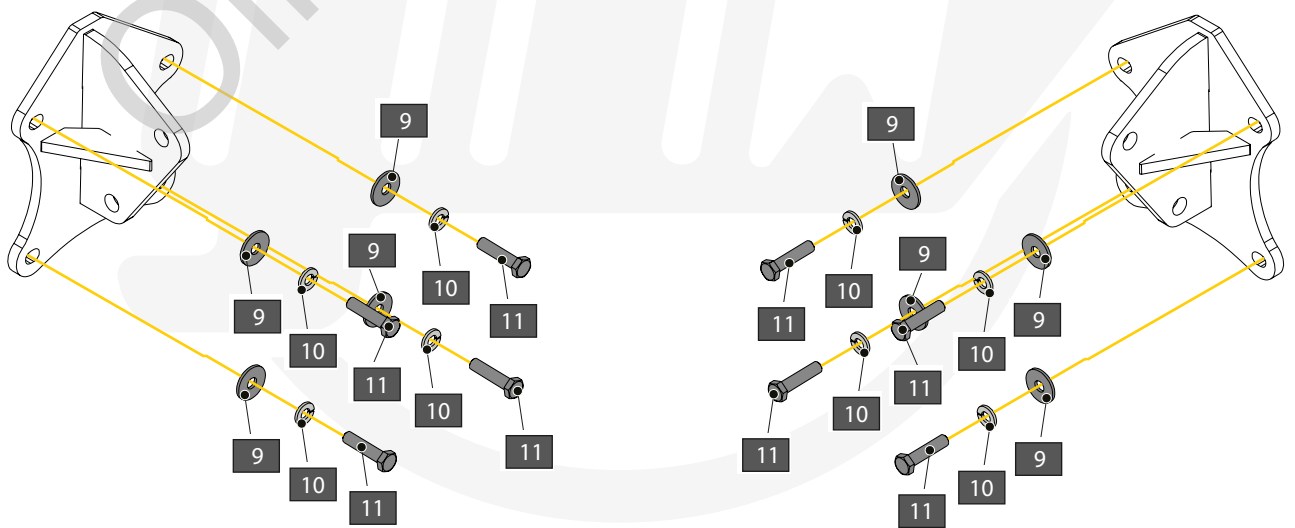
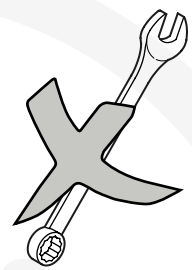
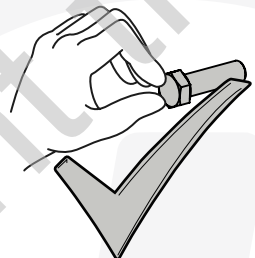
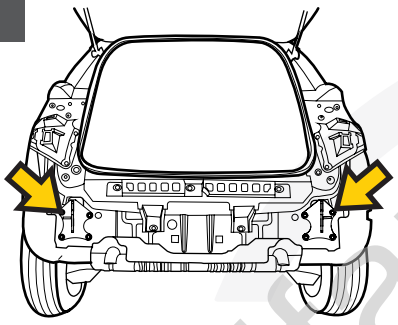
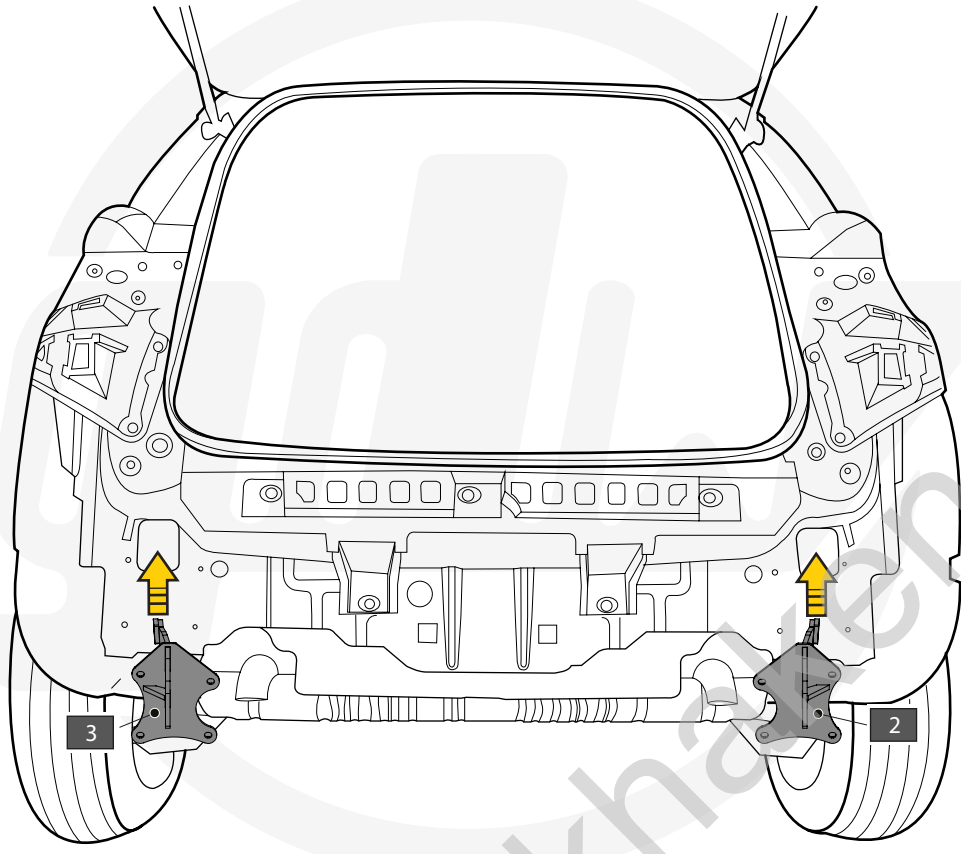


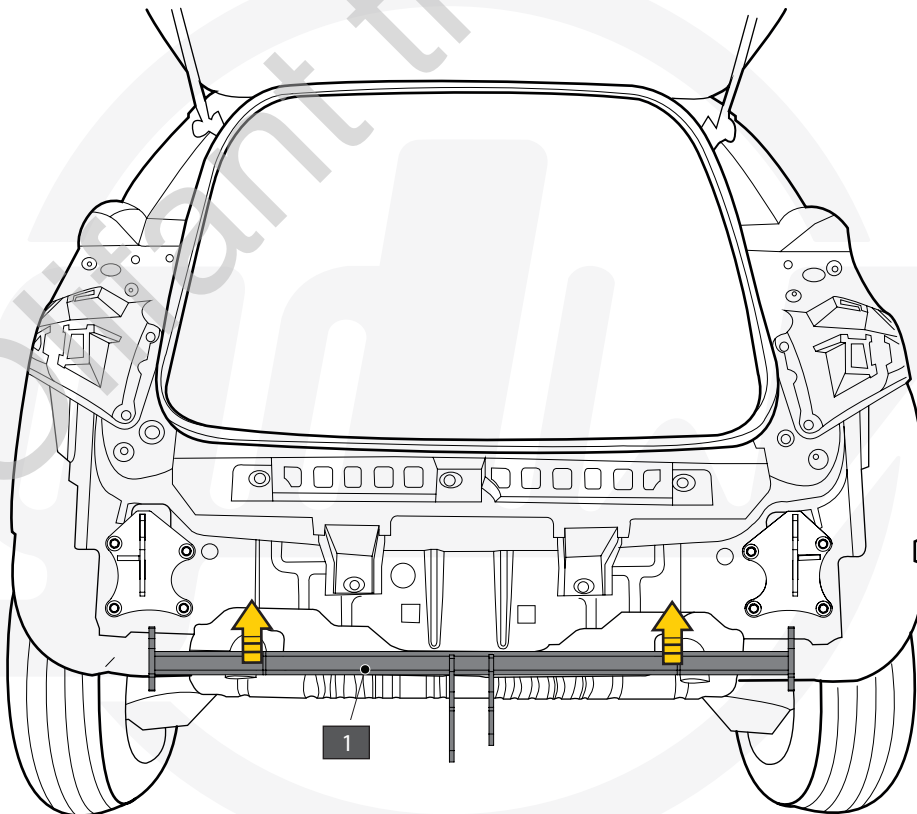
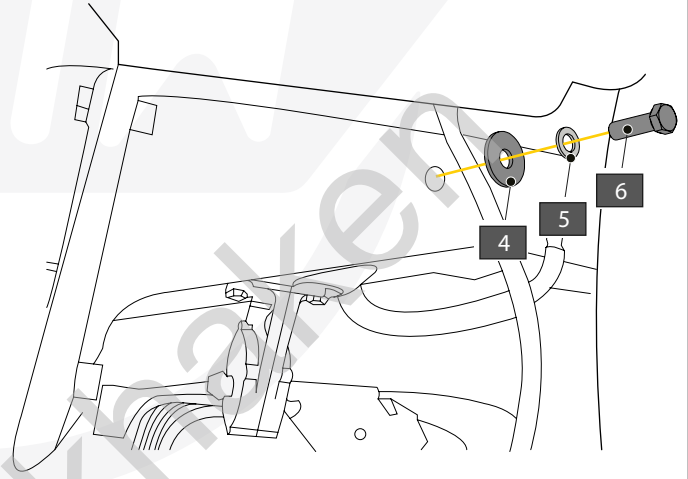
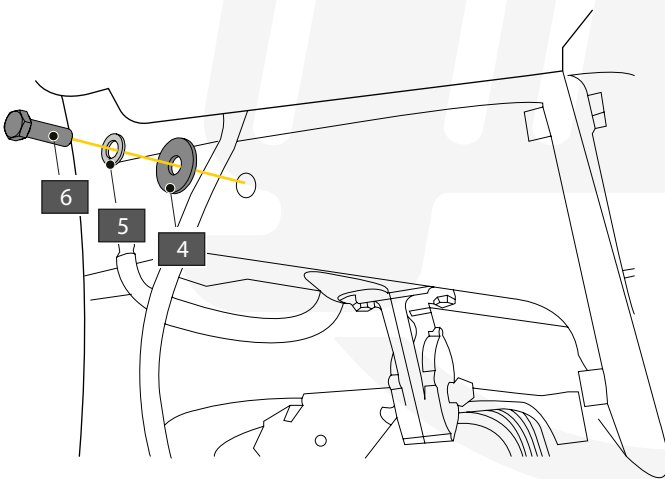
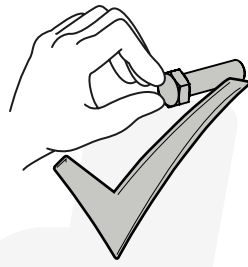
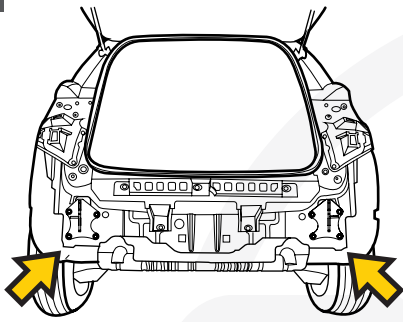
8



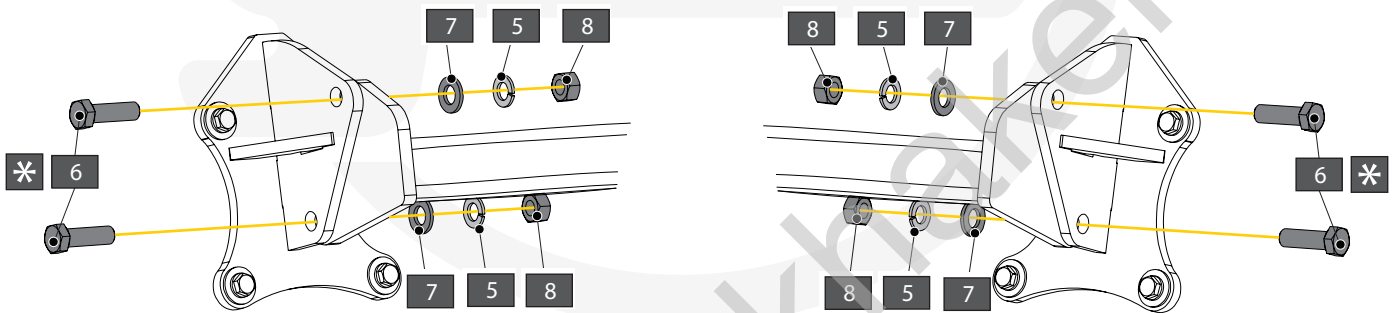
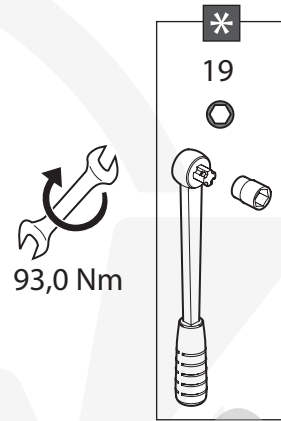
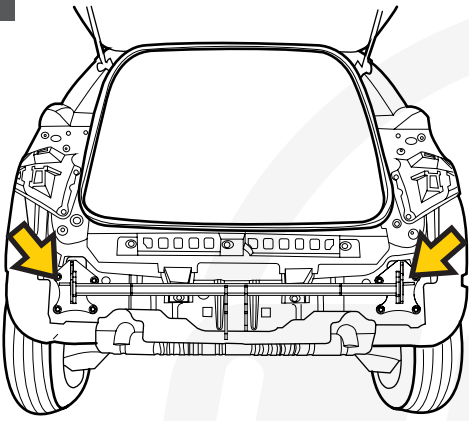




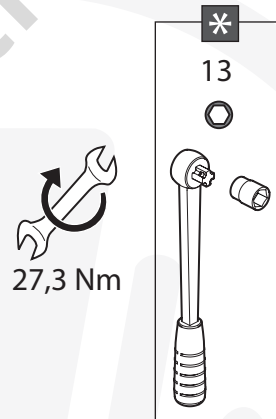
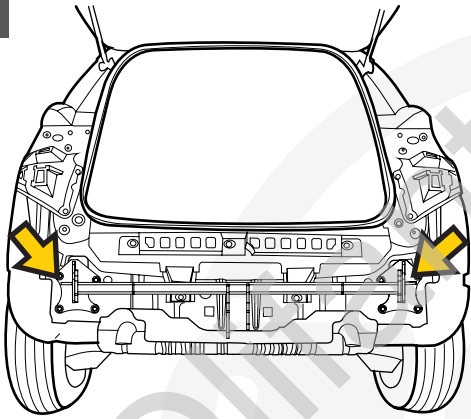


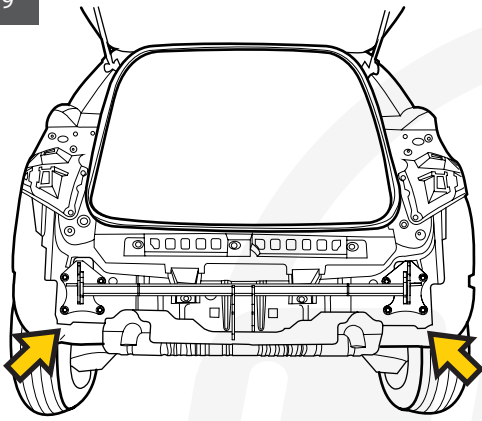


17

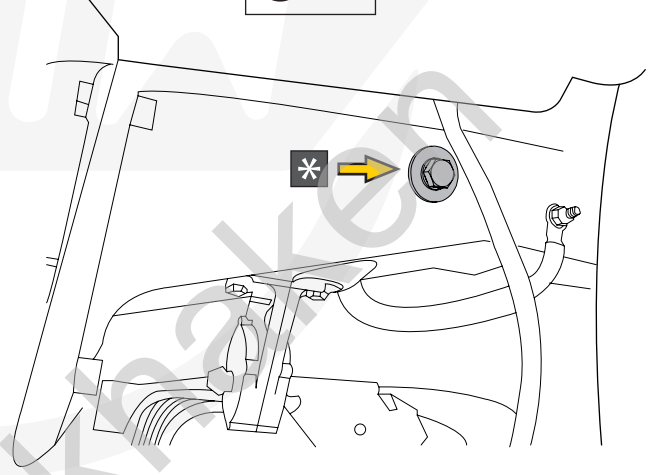
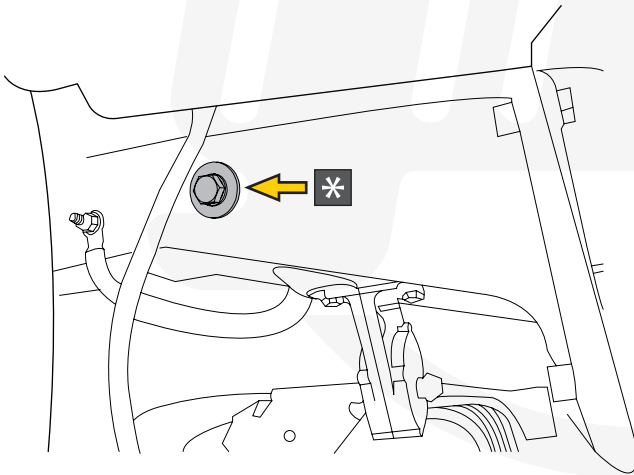
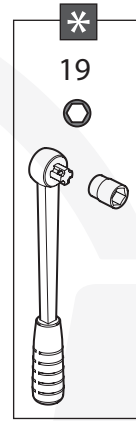


18

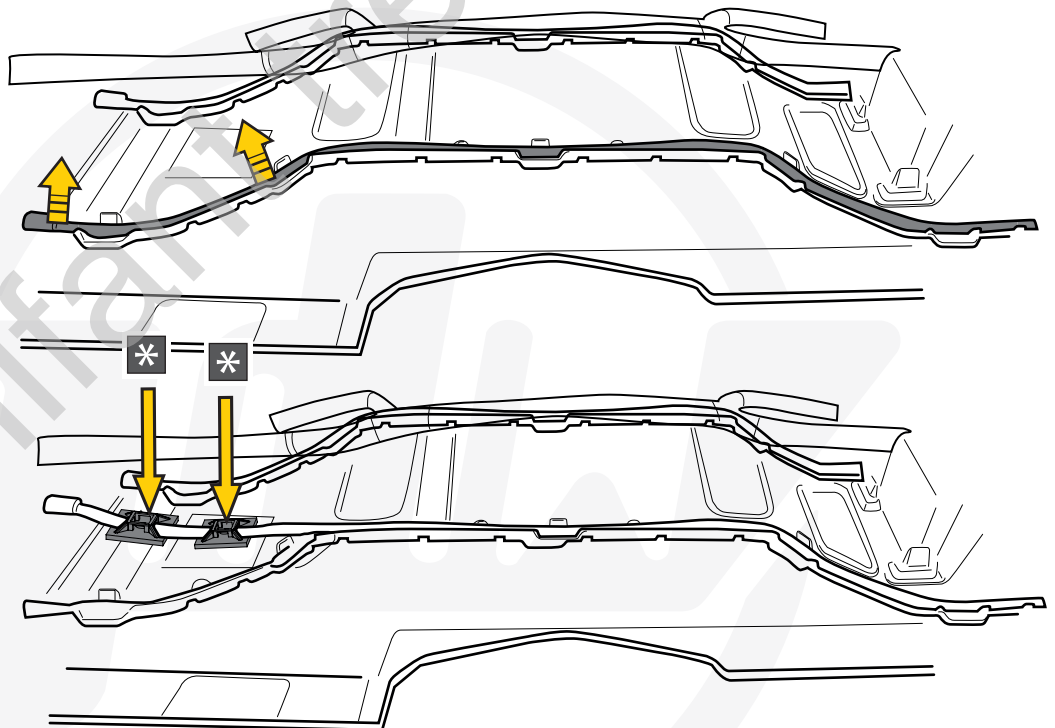




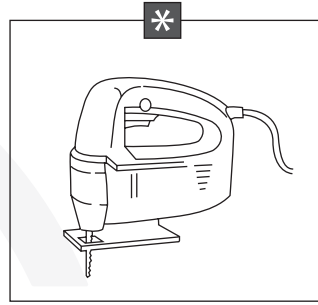
93,0 Nm



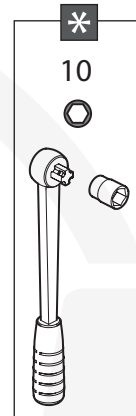
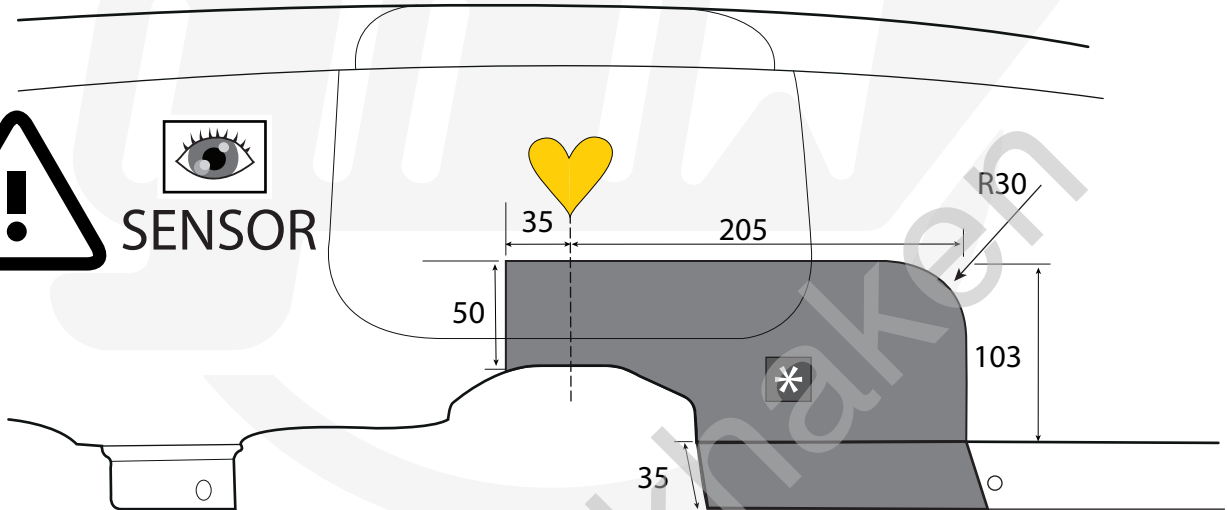
SENSOR



*		X2	GDW REF. 718.49.001
*		X2	REF. 718.00.160025



SENSOR



A		X1 GDW REF. 908.101
B		X1 DIN985-M6
C		X2 Ø15,4 X 6,2 X 1,6 (NYLON)
D		X1 GDW REF. 718.16.002
E		X1 GDW REF. 718.16.003
F		X1 GDW REF. 908.094
G		X1 DIN933-M6 X 30

