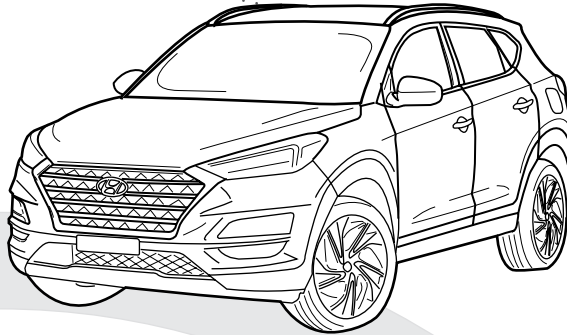




Hyundai Tucson III (type TL)

09/'18- 09/'20

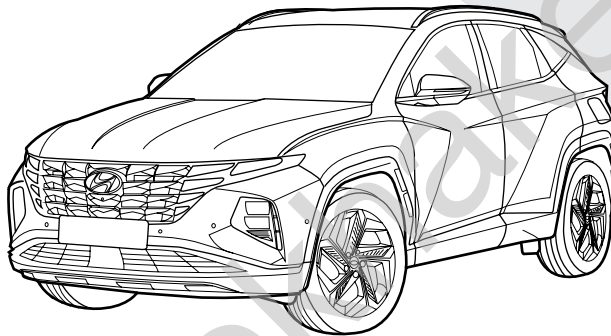
- STANDARD ✓
- AD-BLUE ✓
- N-LINE ✓



Hyundai Tucson IV (type NX4)

09/'20 -

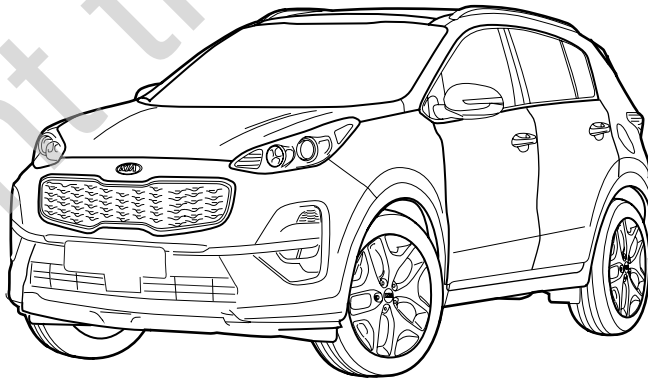
- STANDARD ✓
- AD-BLUE ✓
- HYBRIDE ✓
- N-LINE ✓



Kia Sportage Facelift (type QL, QLE)

07/'18-

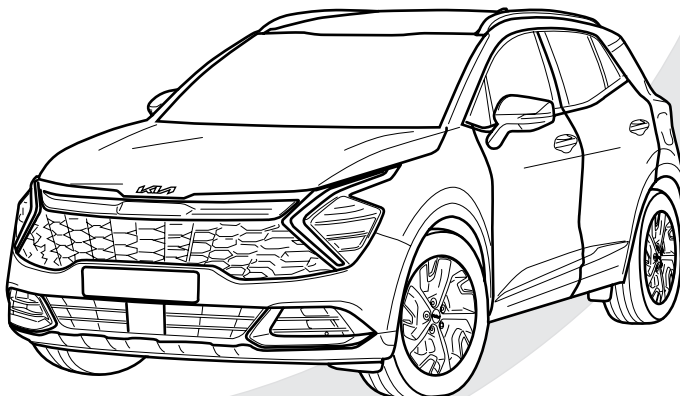
- STANDARD ✓
- AD-BLUE ✓
- MILD HYBRID ✓

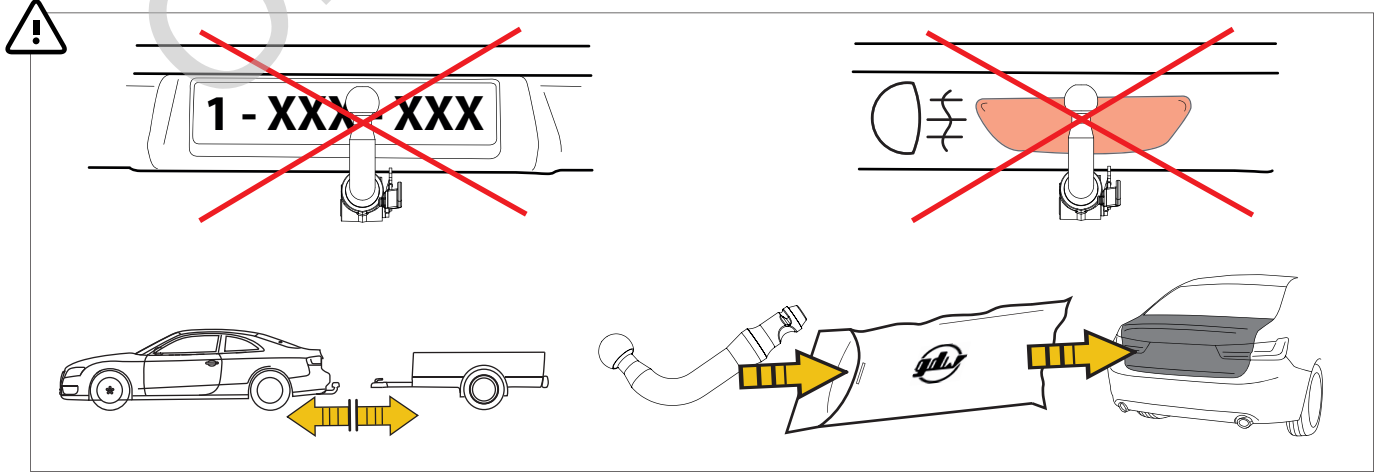
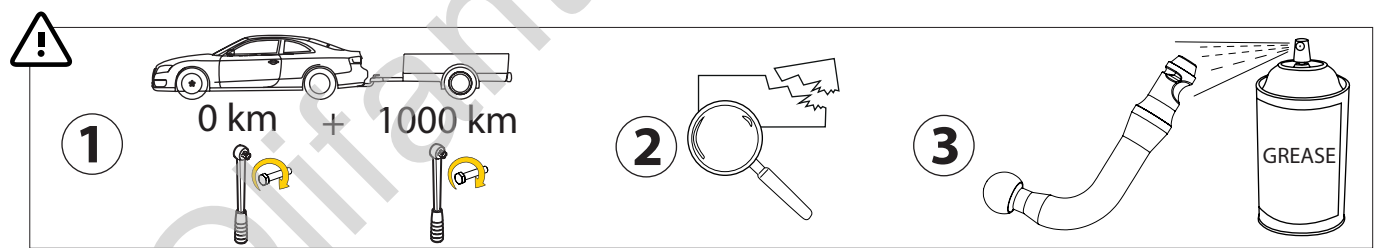
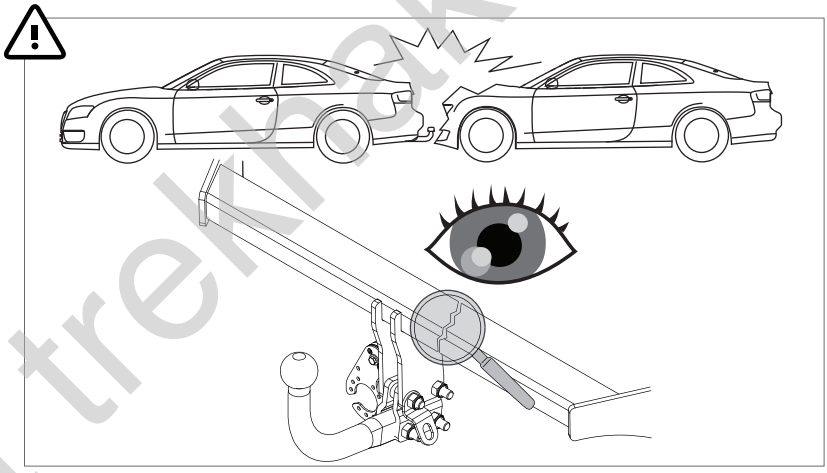
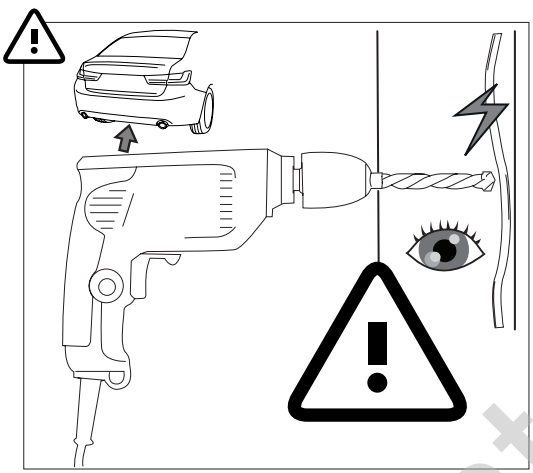
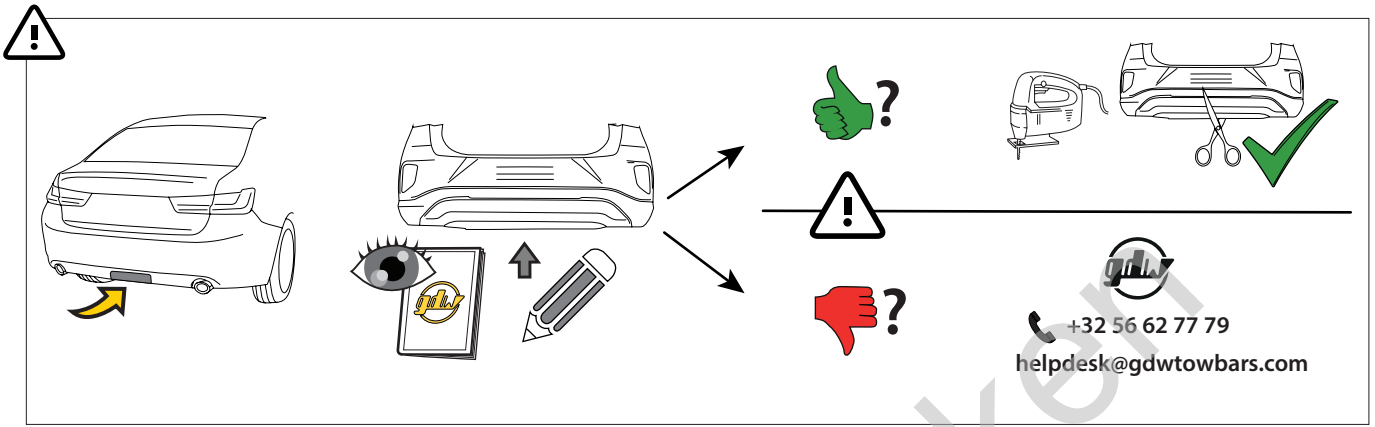
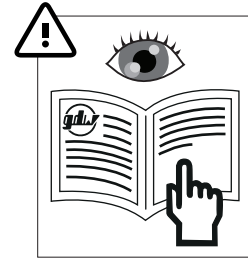
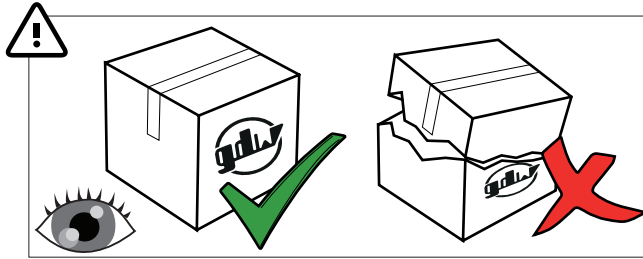




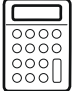
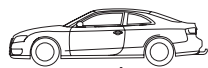
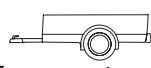

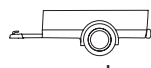
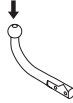
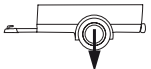
Kia Sportage V (type NQ5)

09/'21-

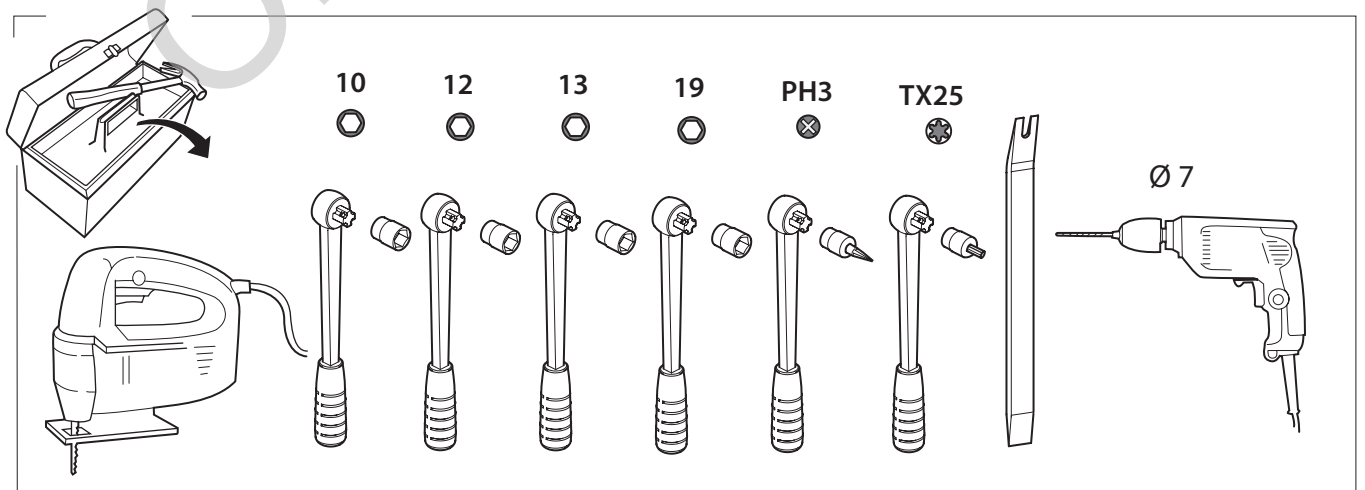
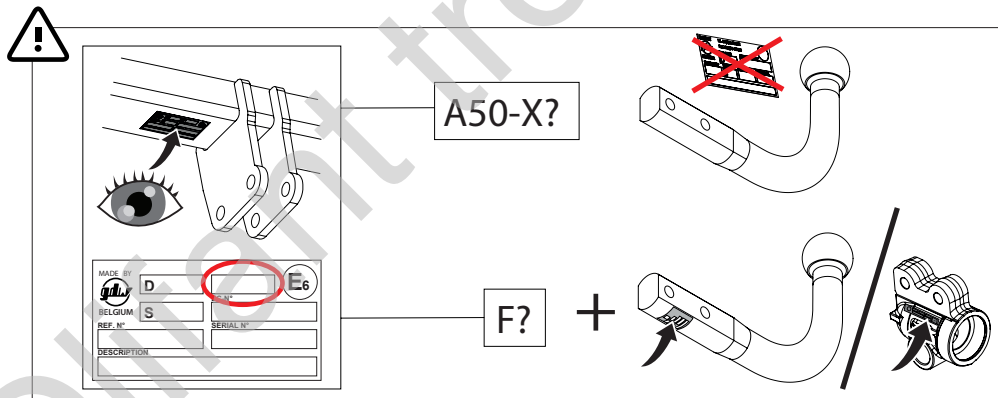
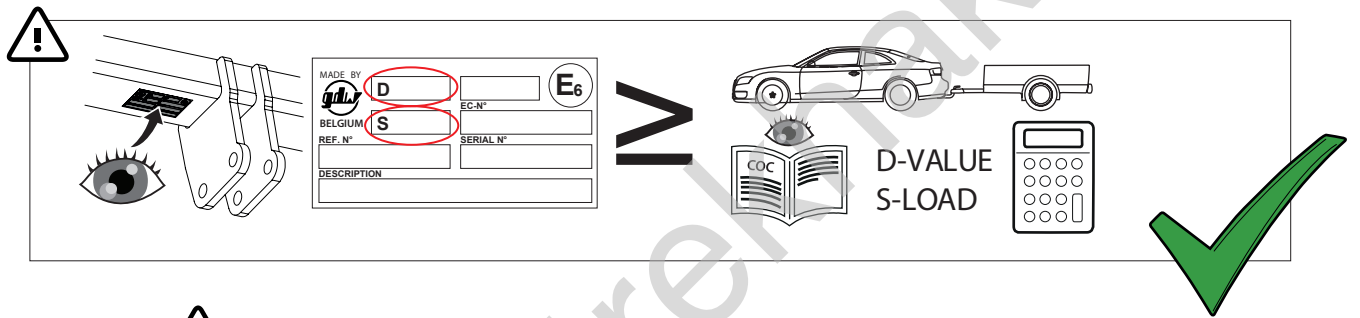
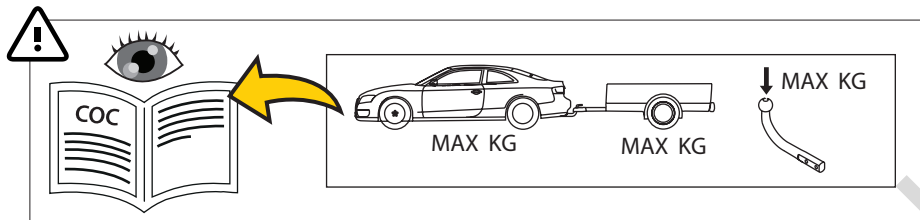
- STANDARD ✓
- PLUG-IN HYBRID ✓
- MILD HYBRID ✓
- GT-LINE ✓

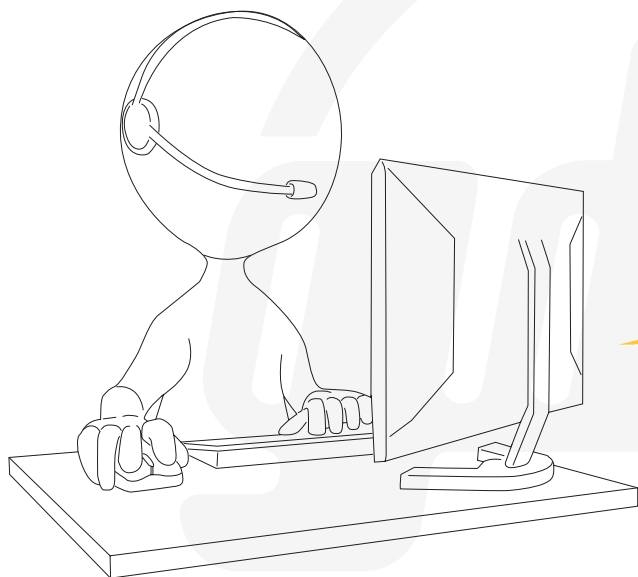




MADE BY 	D 11,20	F	E6	 	 max kg X  max kg $\times 0.00981 \leq 11,20 \text{ kN}$
BELGIUM	S 120	55R-02 1723	EC-N°		 max kg +  max kg
REF N°	2657T60	SERIAL N°	XXXX		S =  ≤ 120 kg  ≤ 2300 kg
DESCRIPTION	Hyundai Tucson III + IV ; Kia Sportage FL + V				

See the Certificate Of Conformity (COC) of your vehicle or contact your dealer to verify the max. trailer weight of your car!





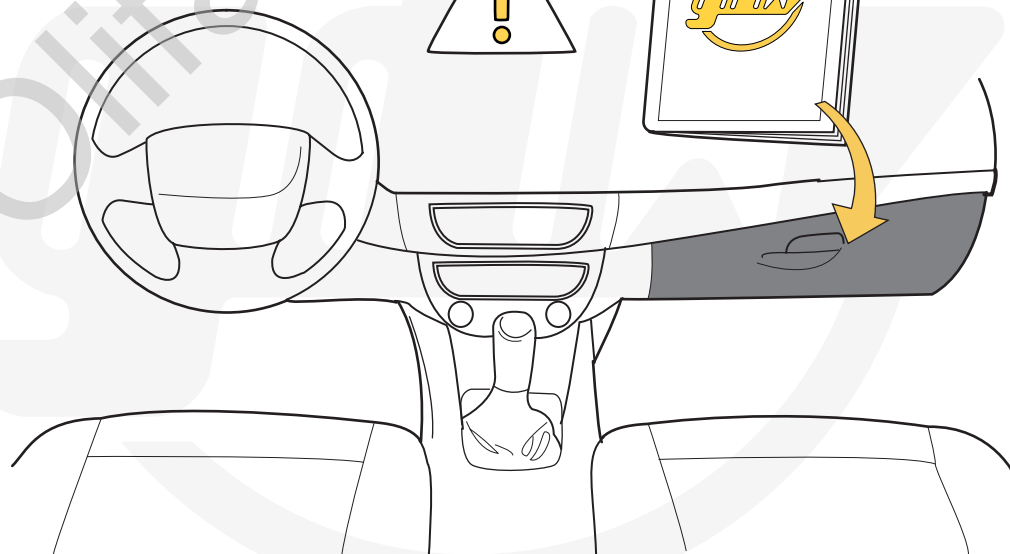
helpdesk@gdwtowbars.com

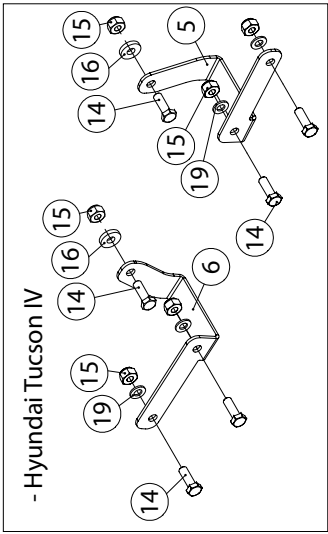
+32 56 62 77 79

Monday	08:00 - 12:00	12:30 - 16:30
Tuesday	08:00 - 12:00	12:30 - 16:30
Wednesday	08:00 - 12:00	12:30 - 16:30
Thursday	08:00 - 12:00	12:30 - 16:30
Friday	08:00 - 12:00	12:30 - 15:30

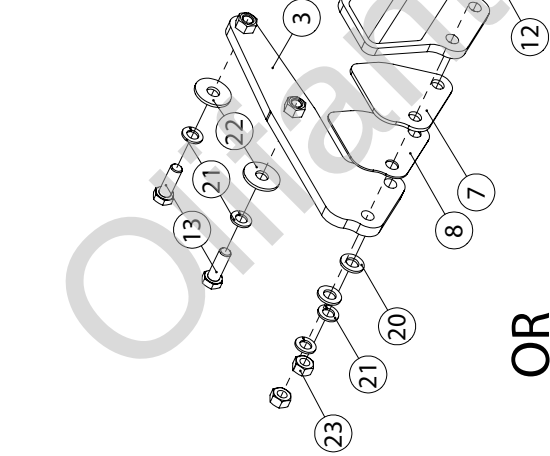
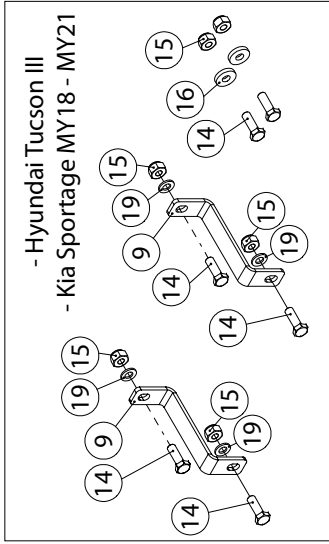


KEY NUMBER

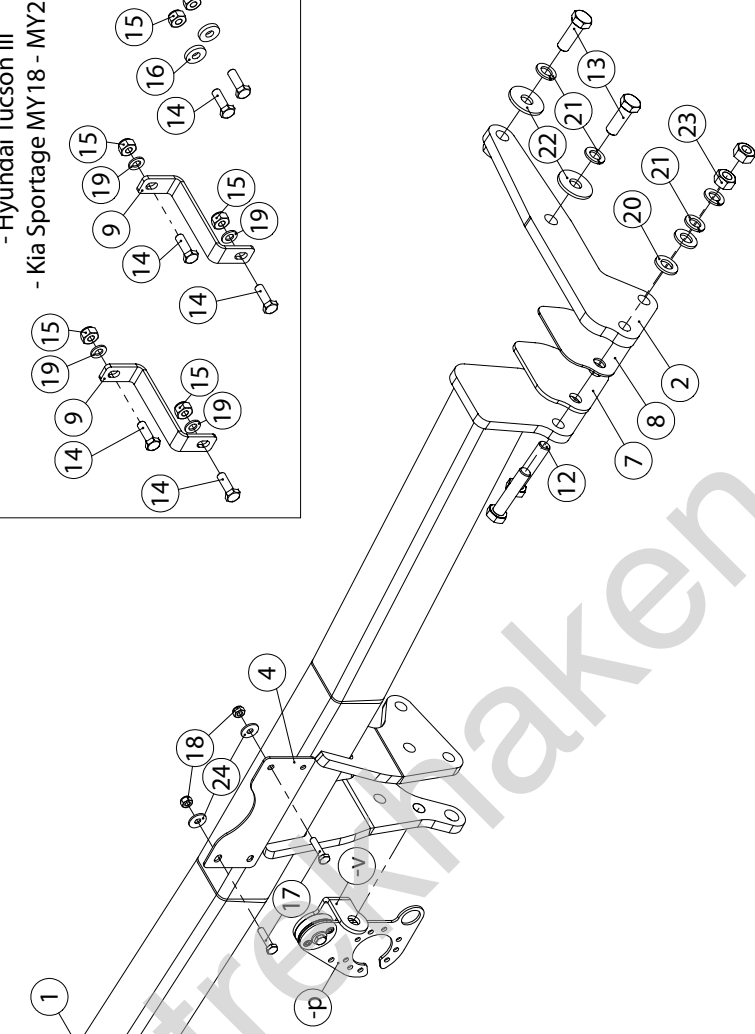
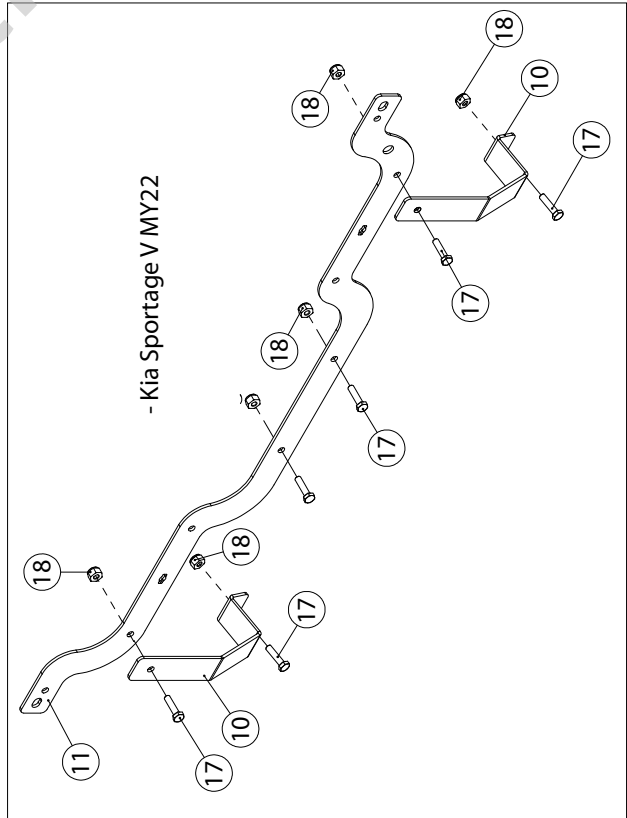


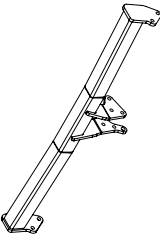
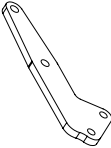
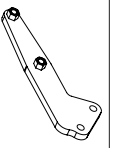
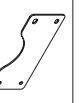
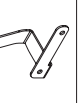
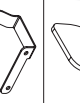

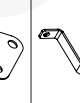
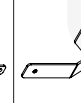

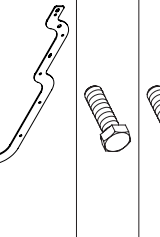
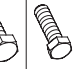

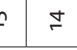


OR

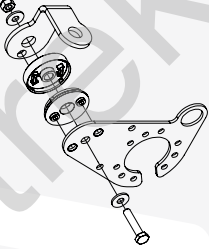
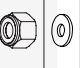



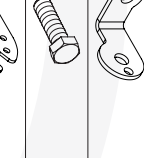
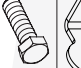



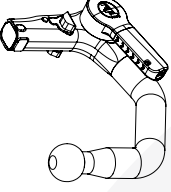

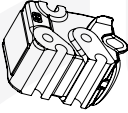


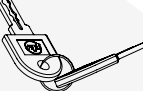

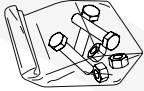


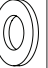

OR



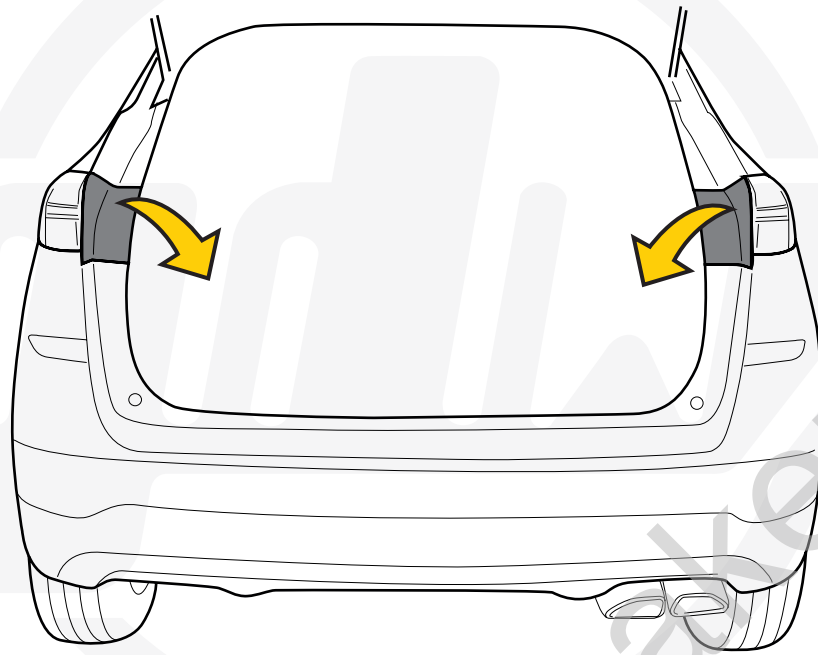
1		X1	GDW REF. 265760
2		X1	GDW REF. 2
3		X1	GDW REF. 3
4		X1	GDW REF. 4
5		X1	GDW REF. 5
6		X1	GDW REF. 6
7		X2	GDW REF. 7 (4 MM)
8		X2	GDW REF. 8 (2 MM)
9		X2	GDW REF. 9
10		X2	GDW REF. 10
11		X1	GDW REF. 11
12		X4	DIN933-M12 X 55 10.9
13		X4	DIN933-M12 X 35 10.9
14		X6	DIN933-M8 X 30

15		X6	DIN985-M8
16		X2	DIN7349-M10-ST
17		X6	DIN933-M6X25
18		X6	DIN985-M6
19		X4	DIN125-A8-14OHV-ELVZ
20		X4	DIN125-A12-14OHV-ELVZ
21		X8	DIN128A-M12
22		X4	DIN9021-M12-ELVZ
23		X4	DIN934-M12 - KL10
24		X2	DIN9021-M6

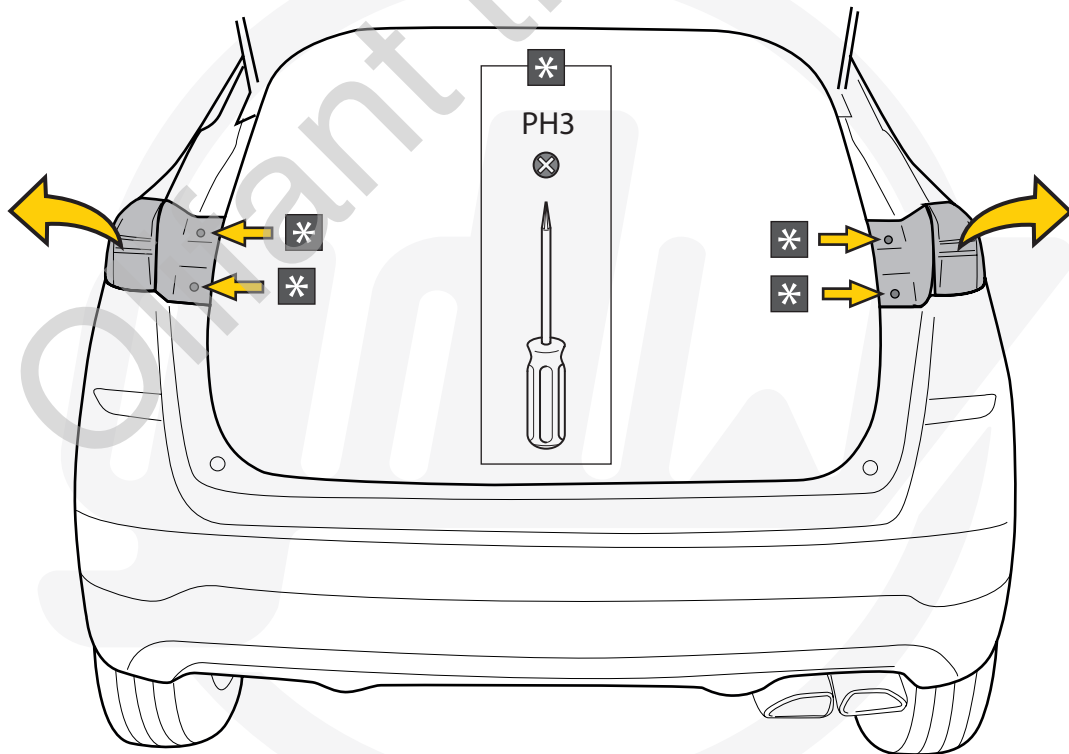
-P		X1	GDW REF. P39
↳		X1	DIN985-M6
↳		X2	6,2 X 15,4 X 1,6 (NYLON)
↳		X1	GDW REF. 718.16.002
↳		X1	GDW REF. 718.16.003
↳		X1	GDW REF. 908.094
↳		X1	DIN933-M6 X 30
↳		X1	GDW REF. 908.095 (-v)

Geleverd met - Livré avec - Delivered with Geliefert mit - Elementos adjuntos-Leveres med		X1	GDW REF. 960.V1208
	↳ 	X1	GDW REF. 740.200
		X1	GDW REF. 912.003
	↳ 	X1	GDW REF. 740.112
	↳ 	X1	GDW REF. 740.111
		X1	GDW REF. 740.12X X= LAST NUMBER ON KEY
		X1	GDW REF. 718.15.001
		X1	GDW REF. SYST60-10
	↳ 	X3	DIN931-M12X110-8.8
	↳ 	X3	DIN128A-M12
	↳ 	X6	DIN125A-M12
	↳ 	X3	DIN934-M12

1

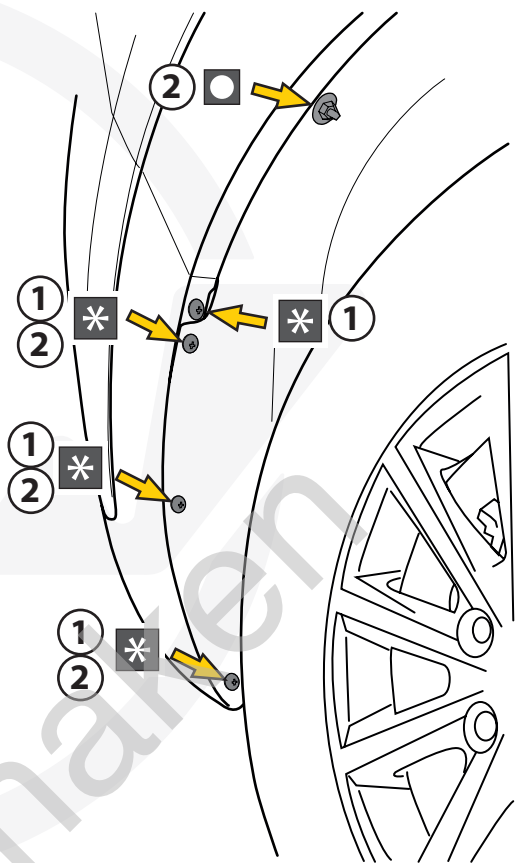
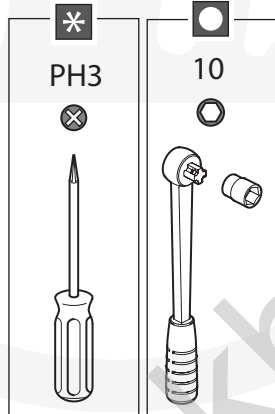
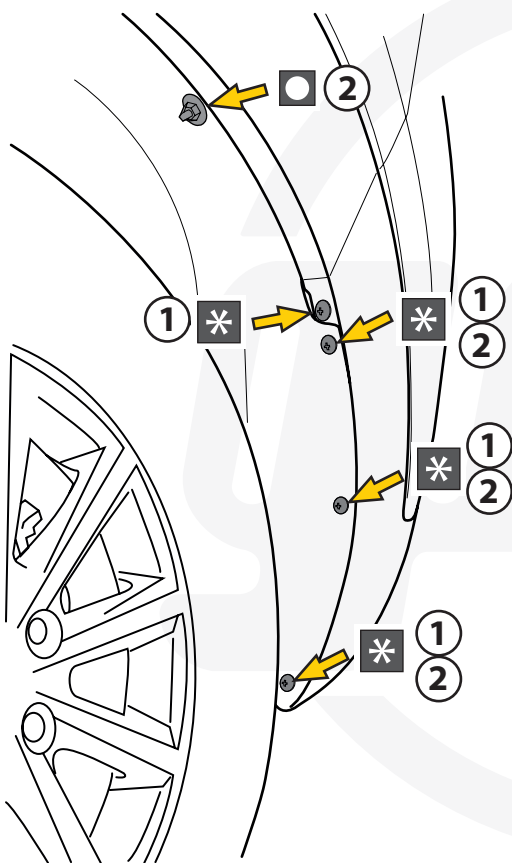


2



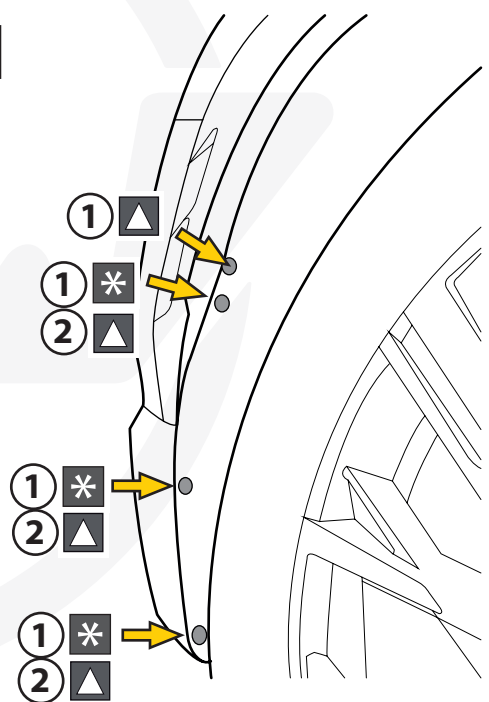
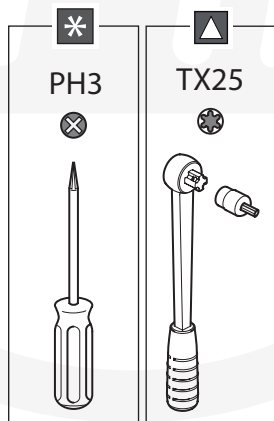
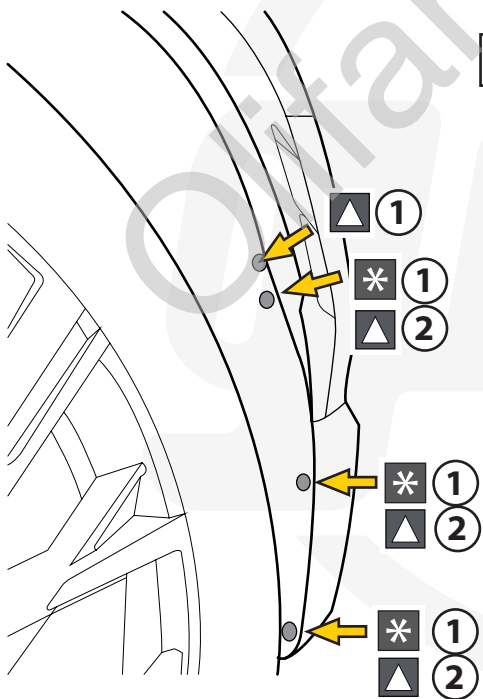
1
TUCSON III

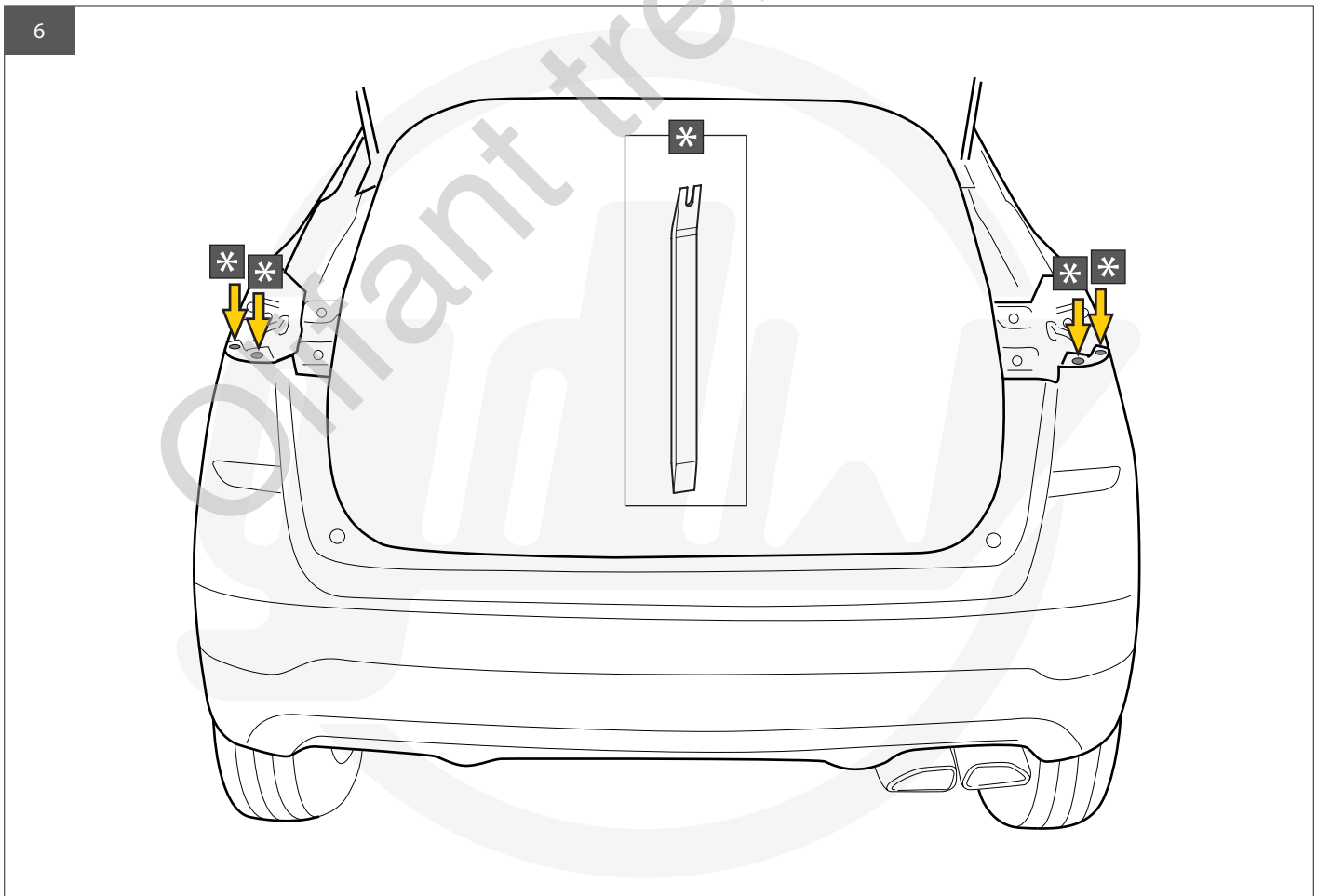
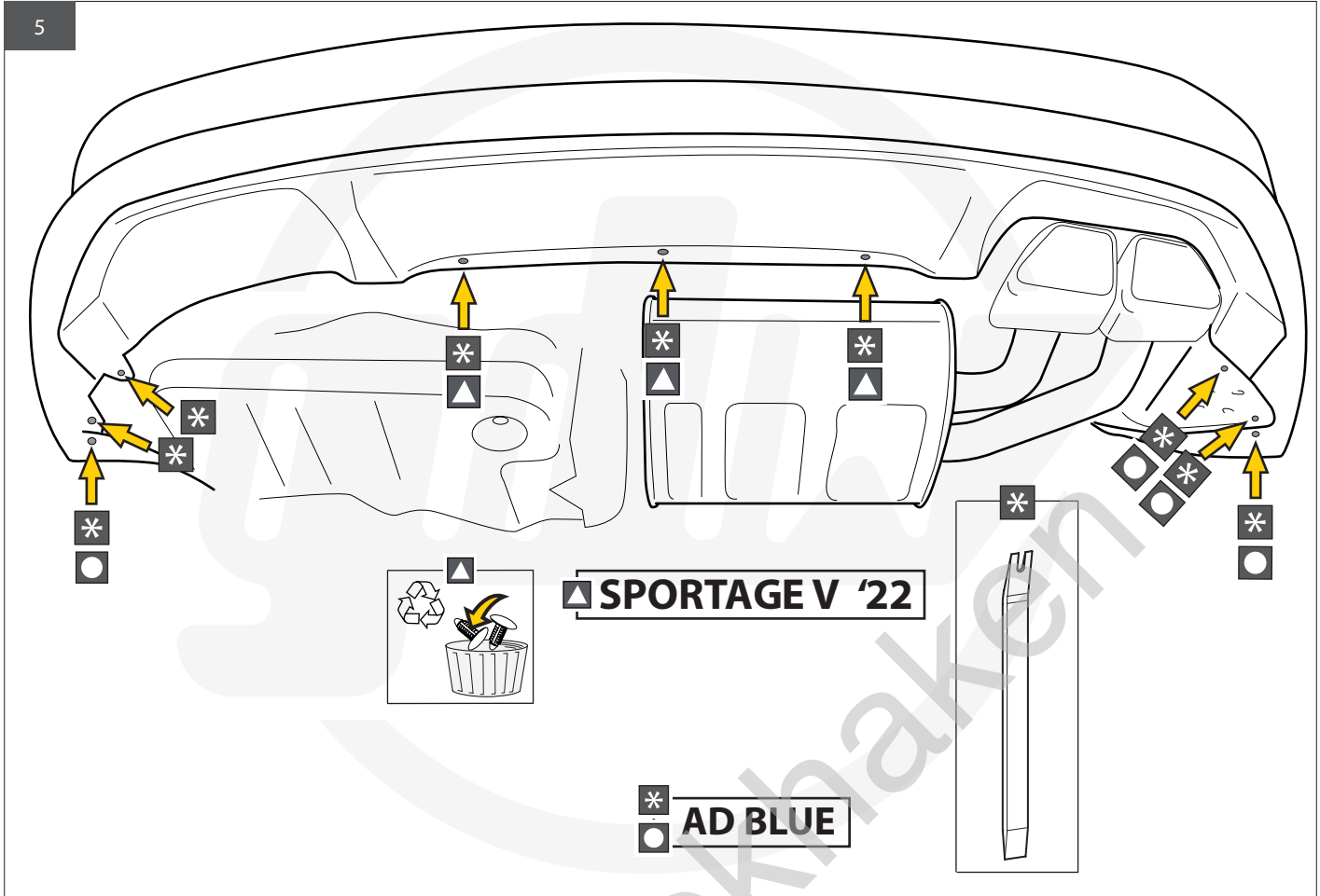
2
TUCSON IV

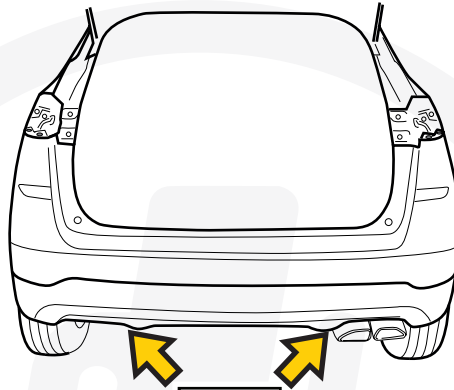


1
SPORTAGE FACELIFT

2
SPORTAGE V '22

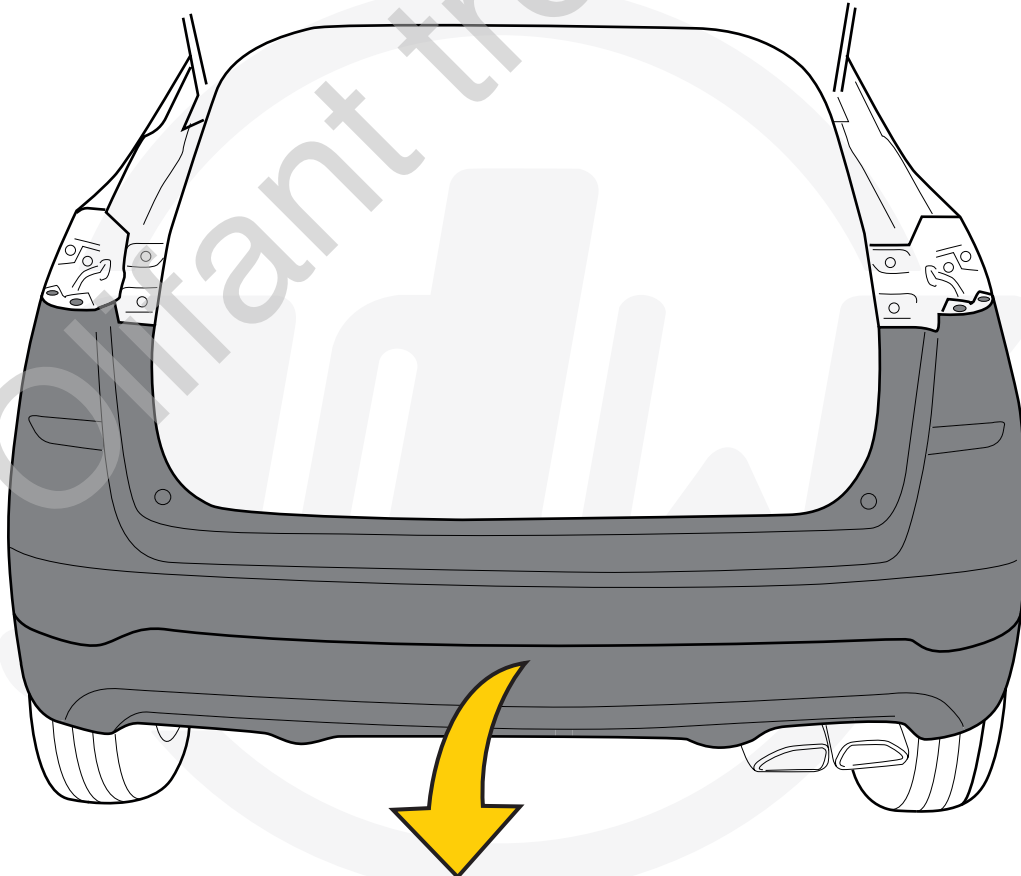
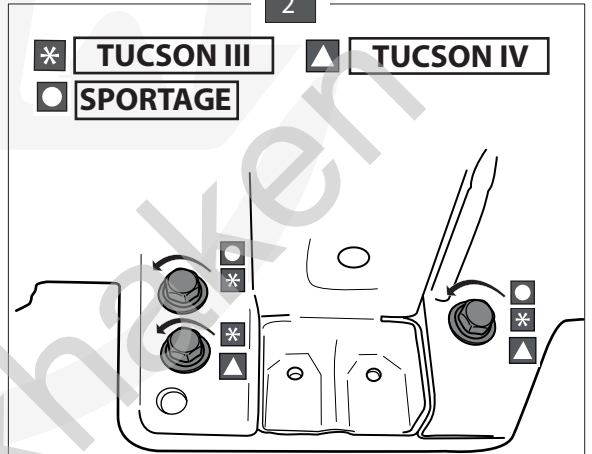
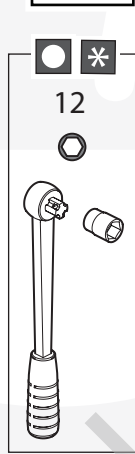
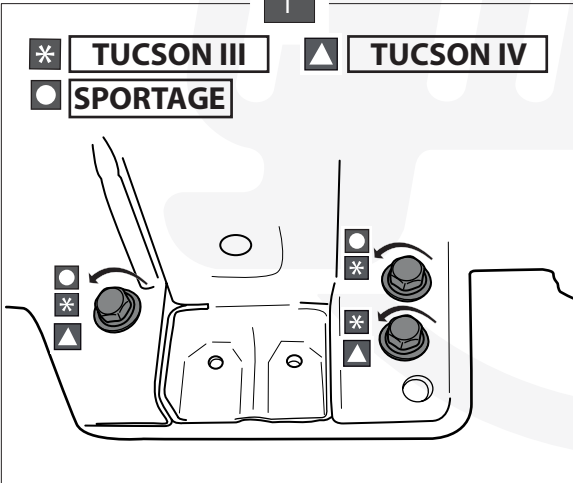




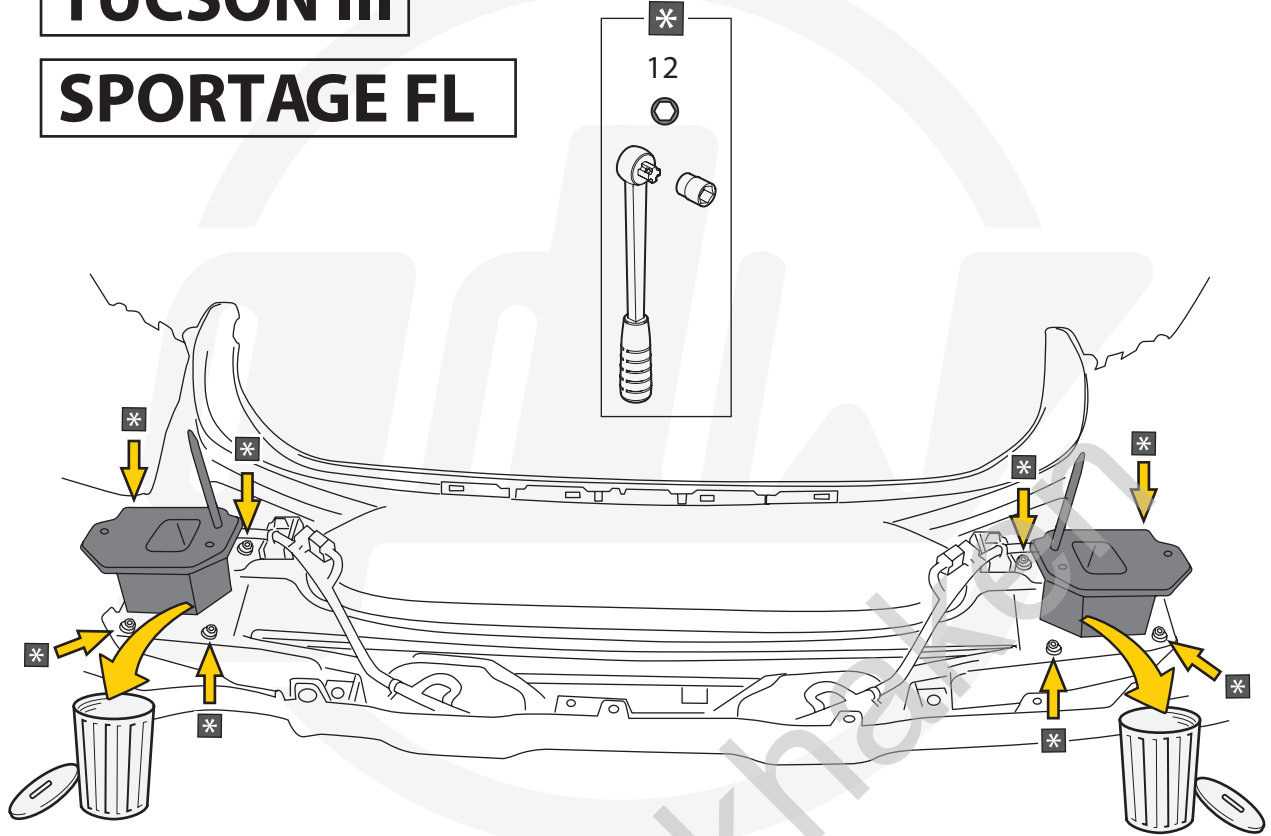


1

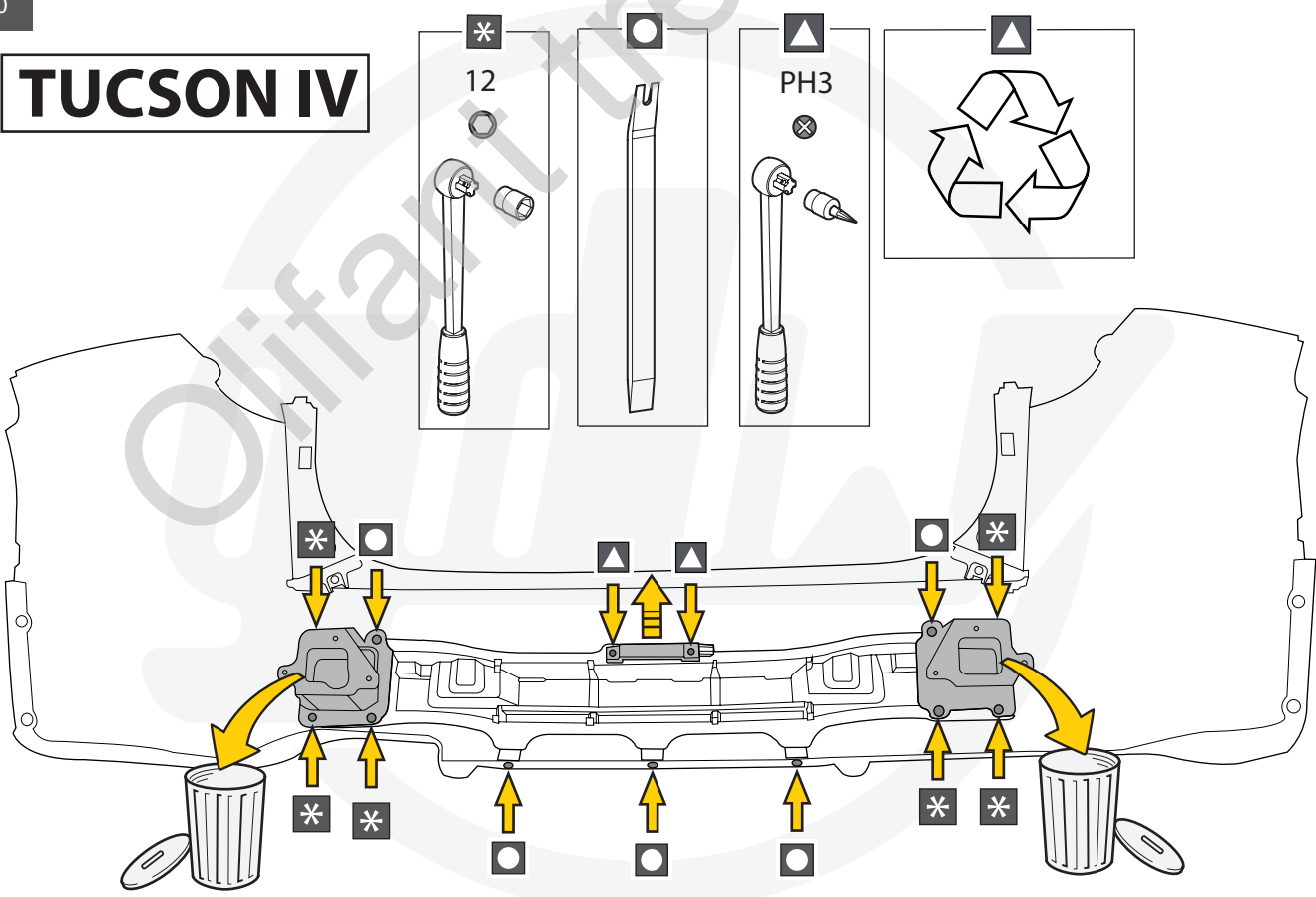
2



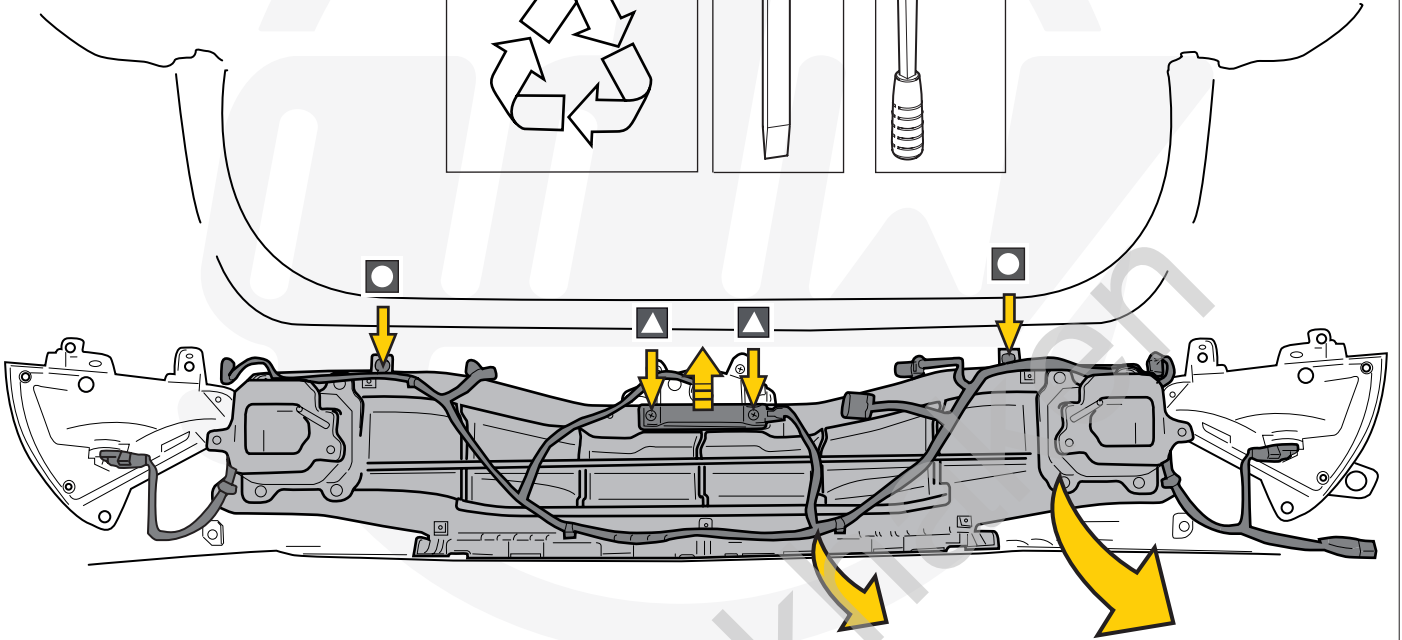
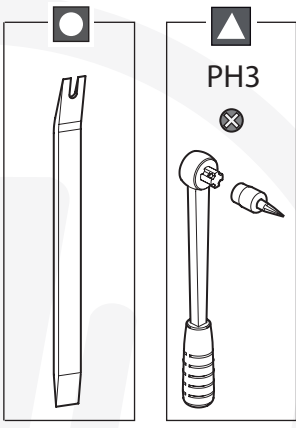
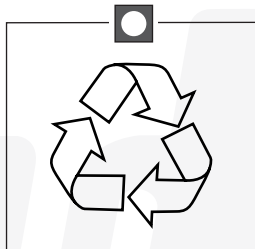
TUCSON III SPORTAGE FL



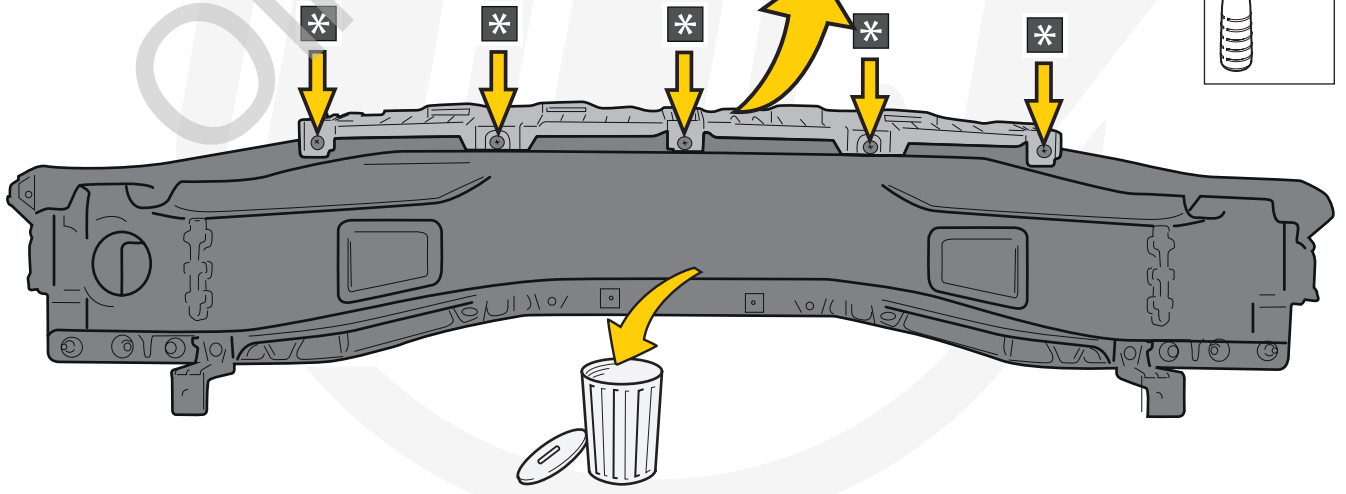
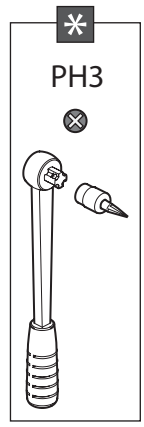
TUCSON IV



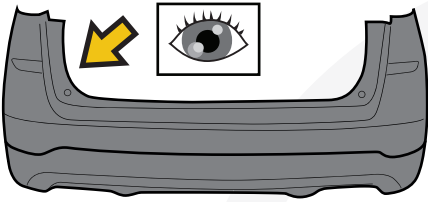
SPORTAGE V '22



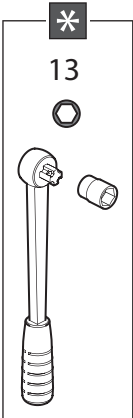
SPORTAGE V '22



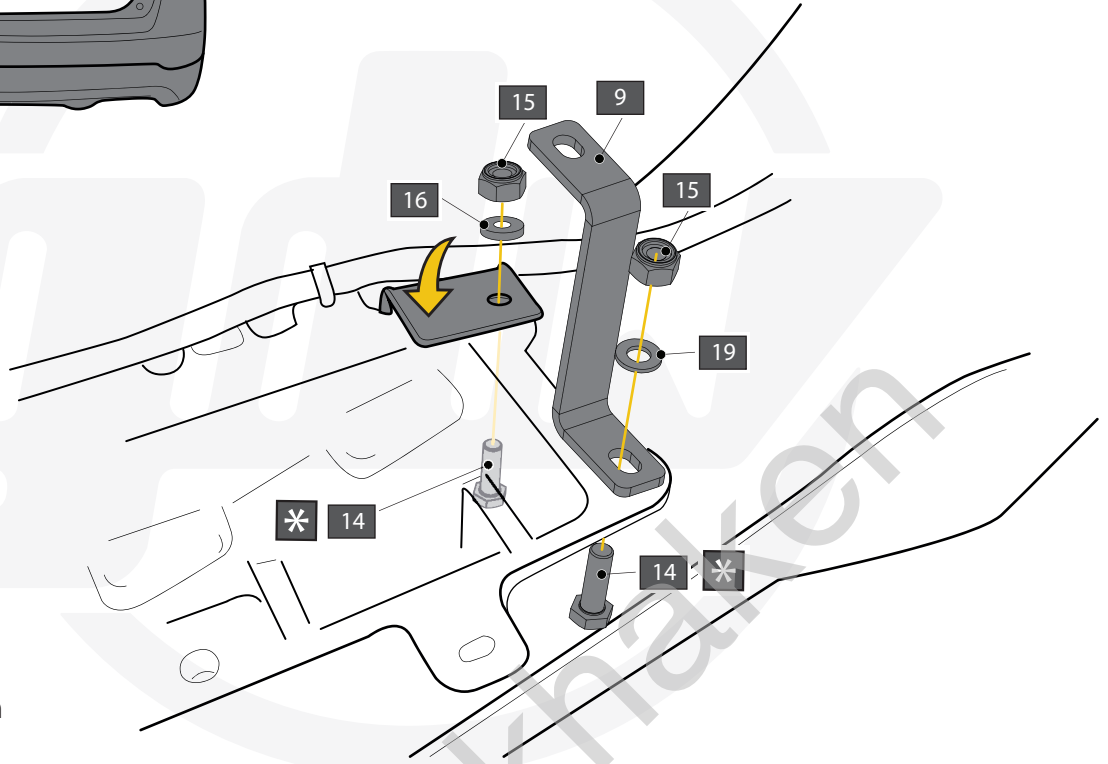
13



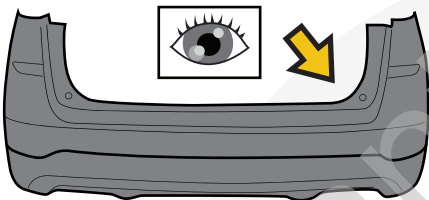
TUCSON III SPORTAGE FL



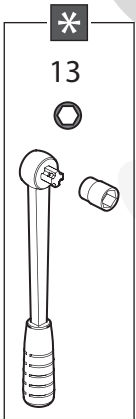
27,3 Nm



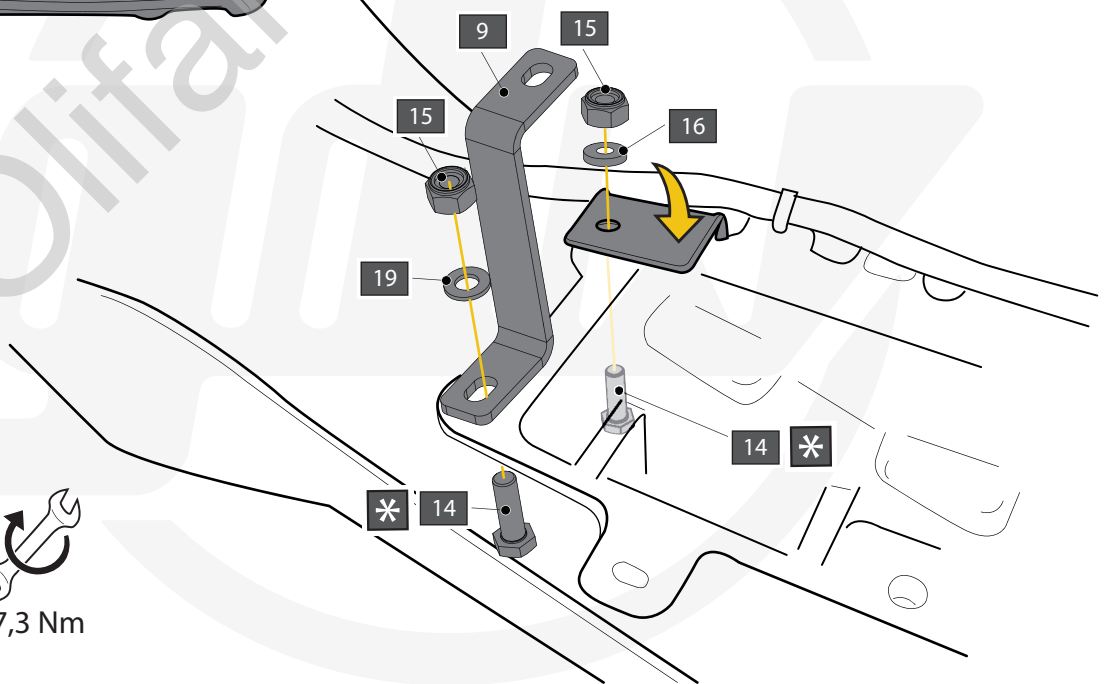
14



TUCSON III SPORTAGE FL

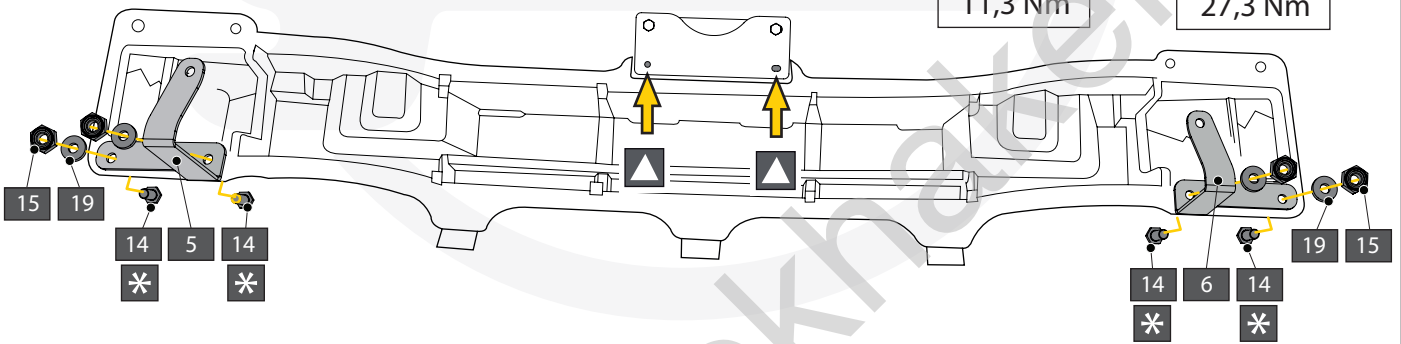
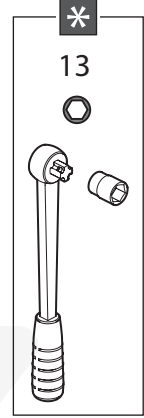
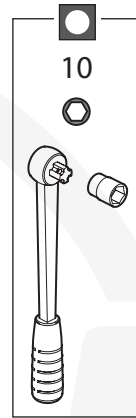
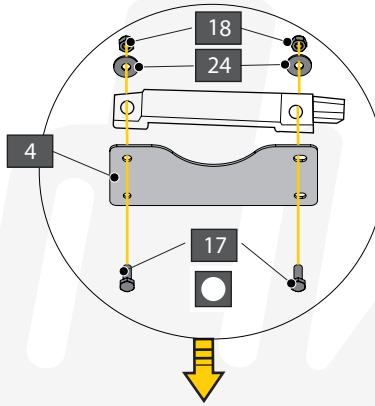
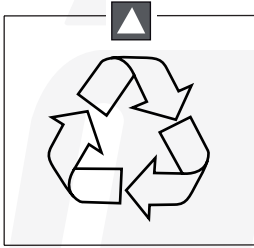
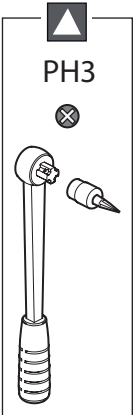


27,3 Nm

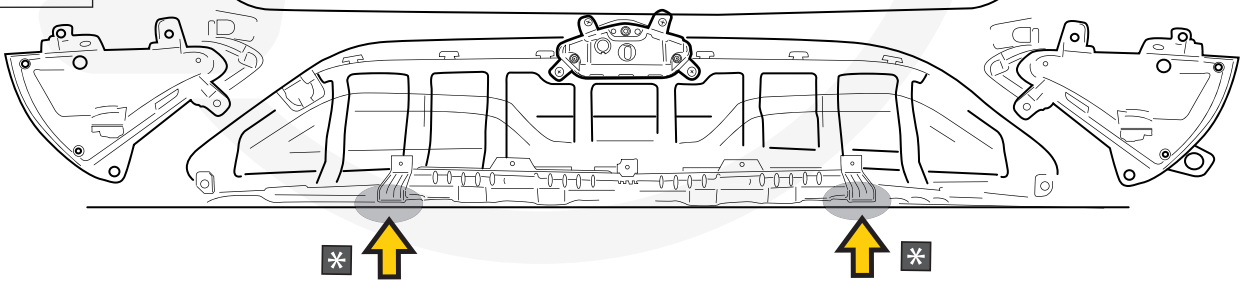
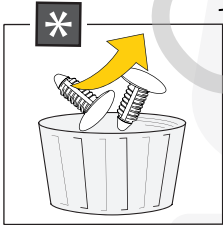
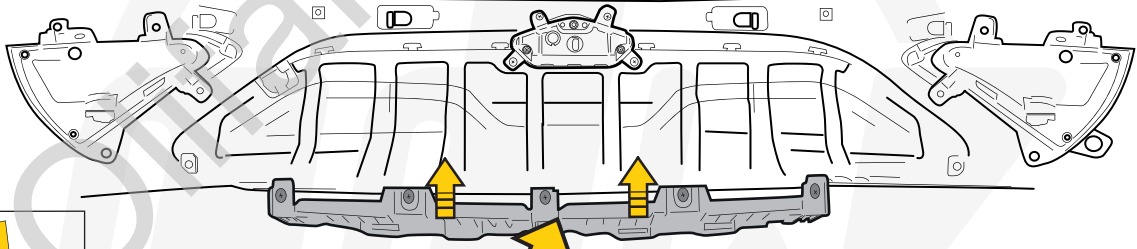


TUCSON IV

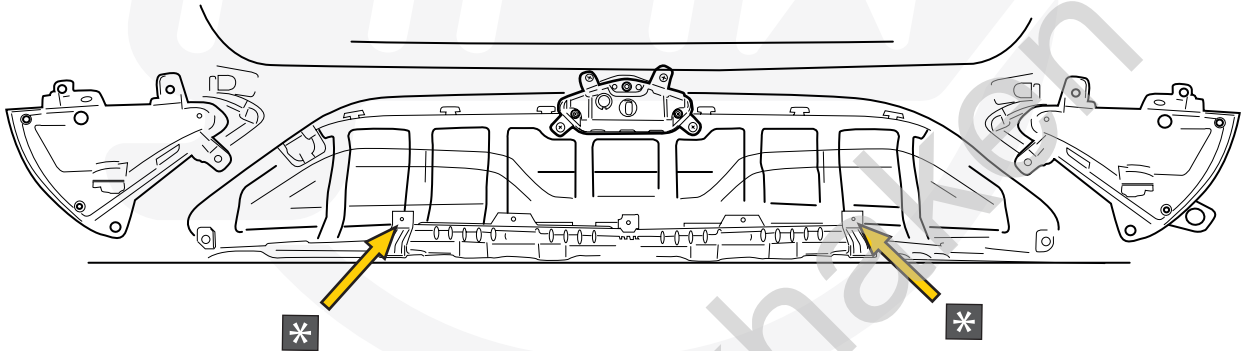
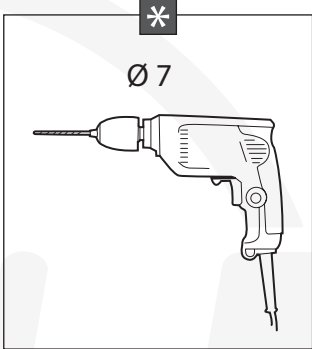
PH3



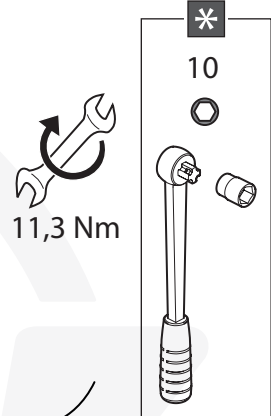
SPORTAGE V '22



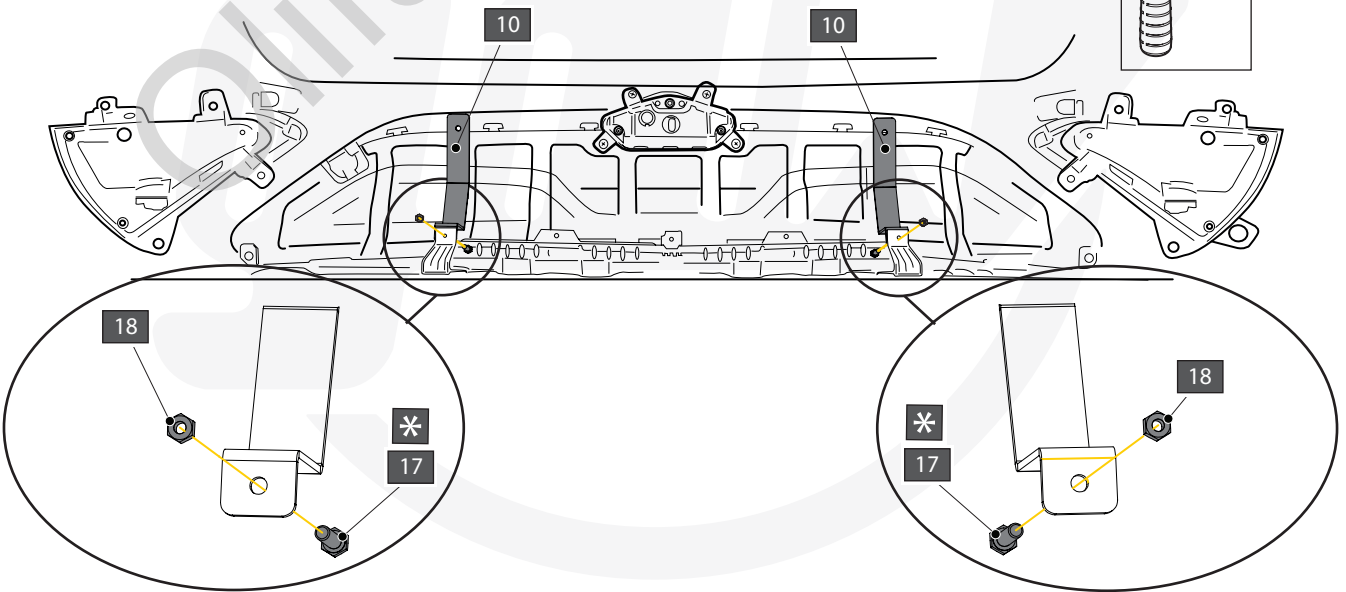
SPORTAGE V '22



SPORTAGE V '22

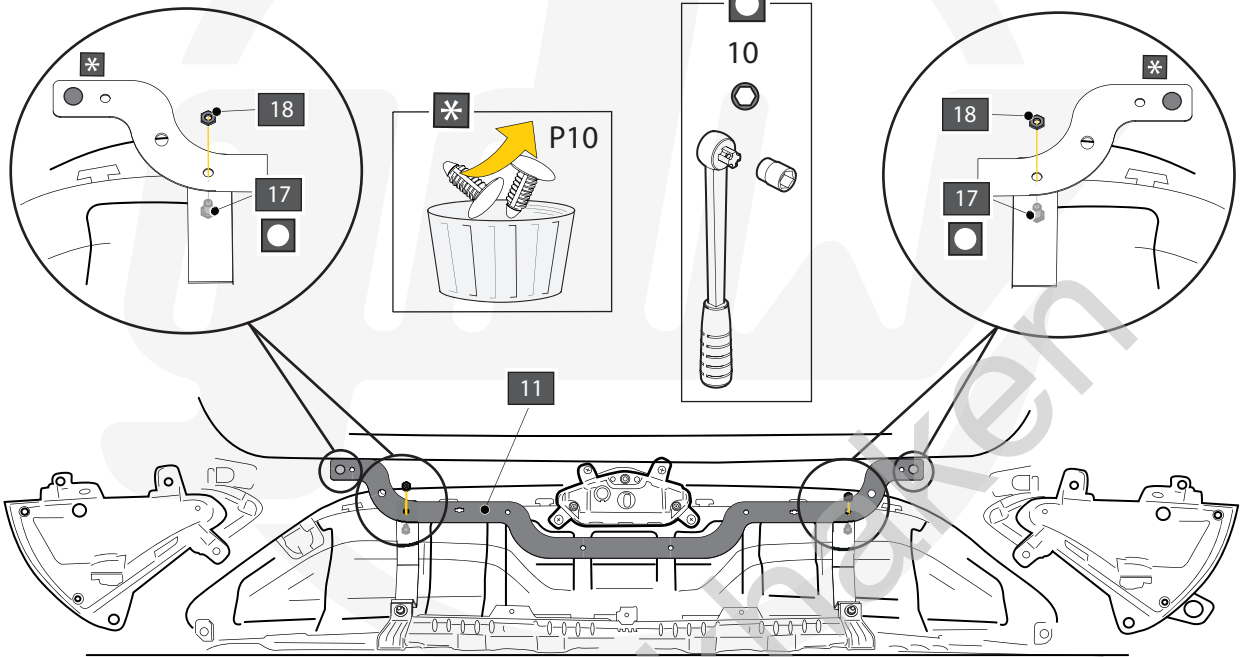


11,3 Nm



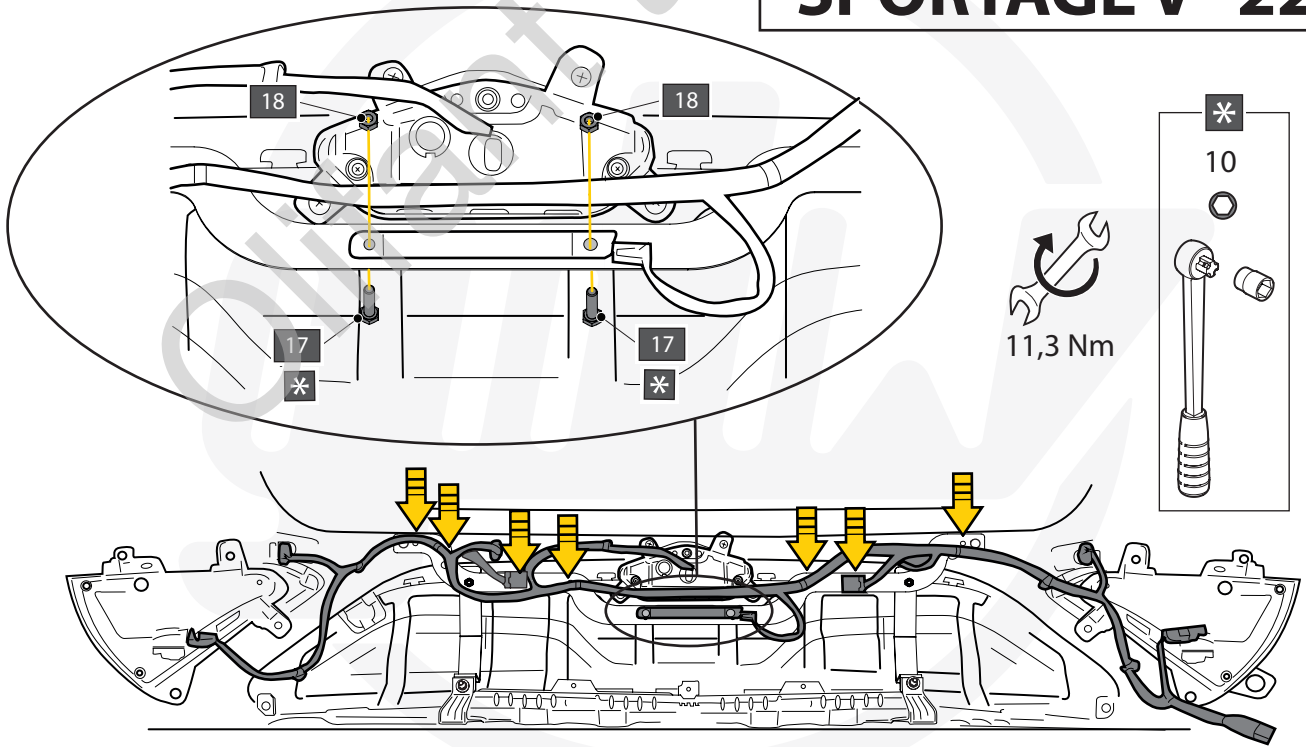
SPORTAGE V '22

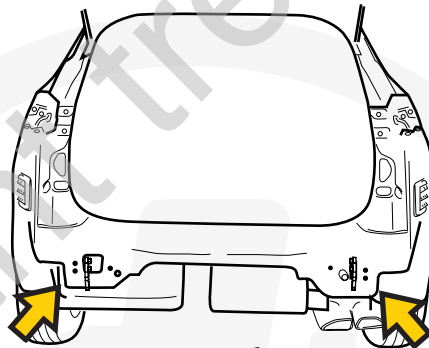
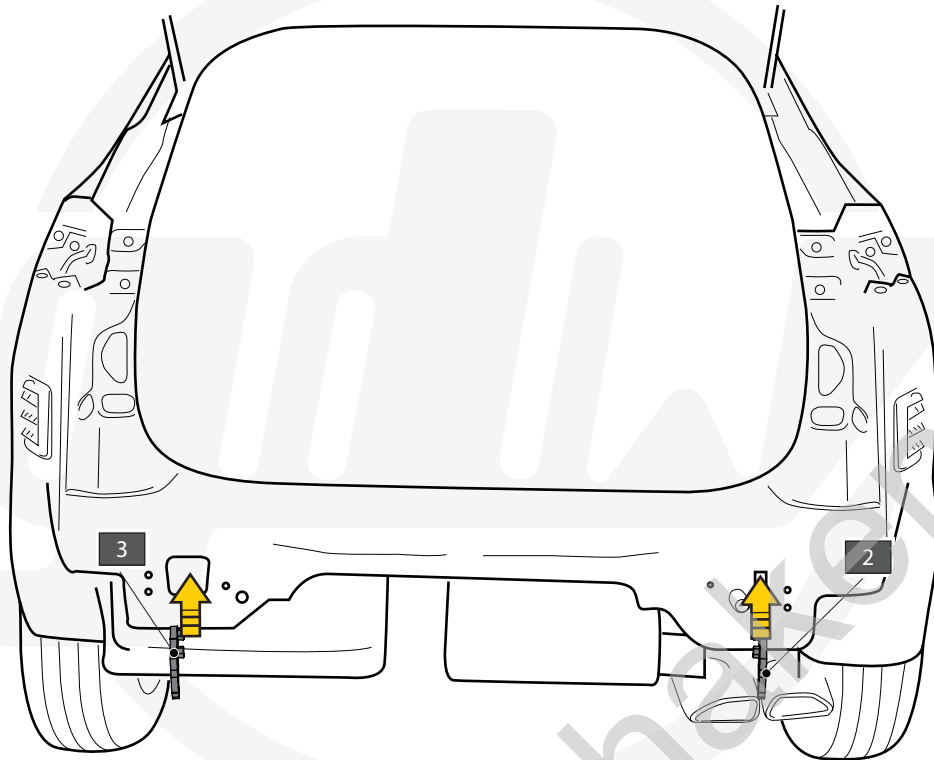

11,3 Nm



SPORTAGE V '22

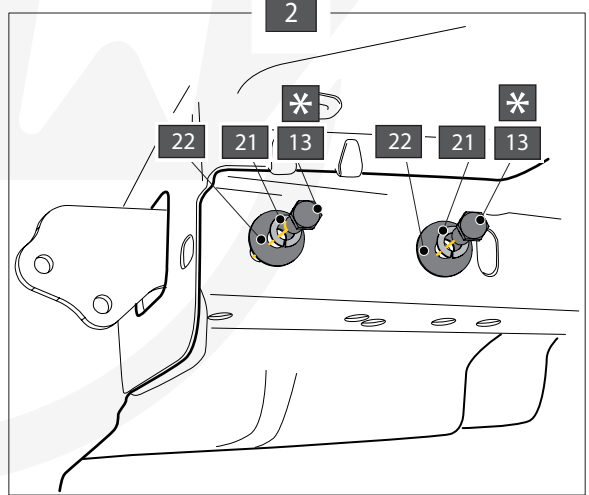
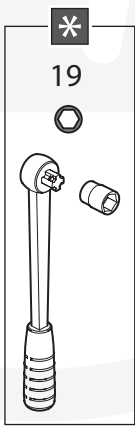
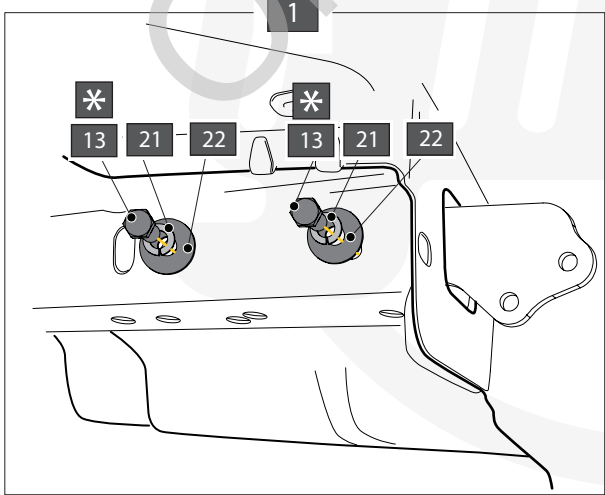

11,3 Nm

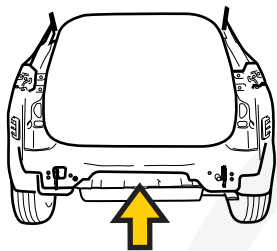




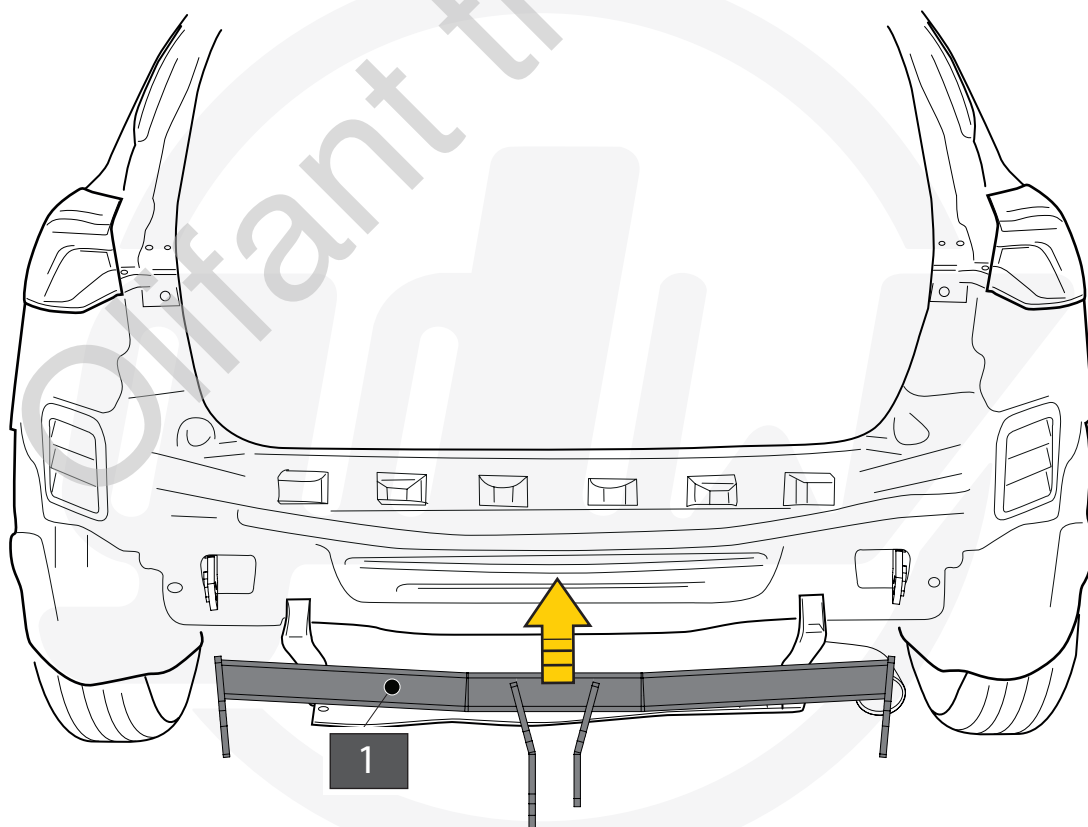
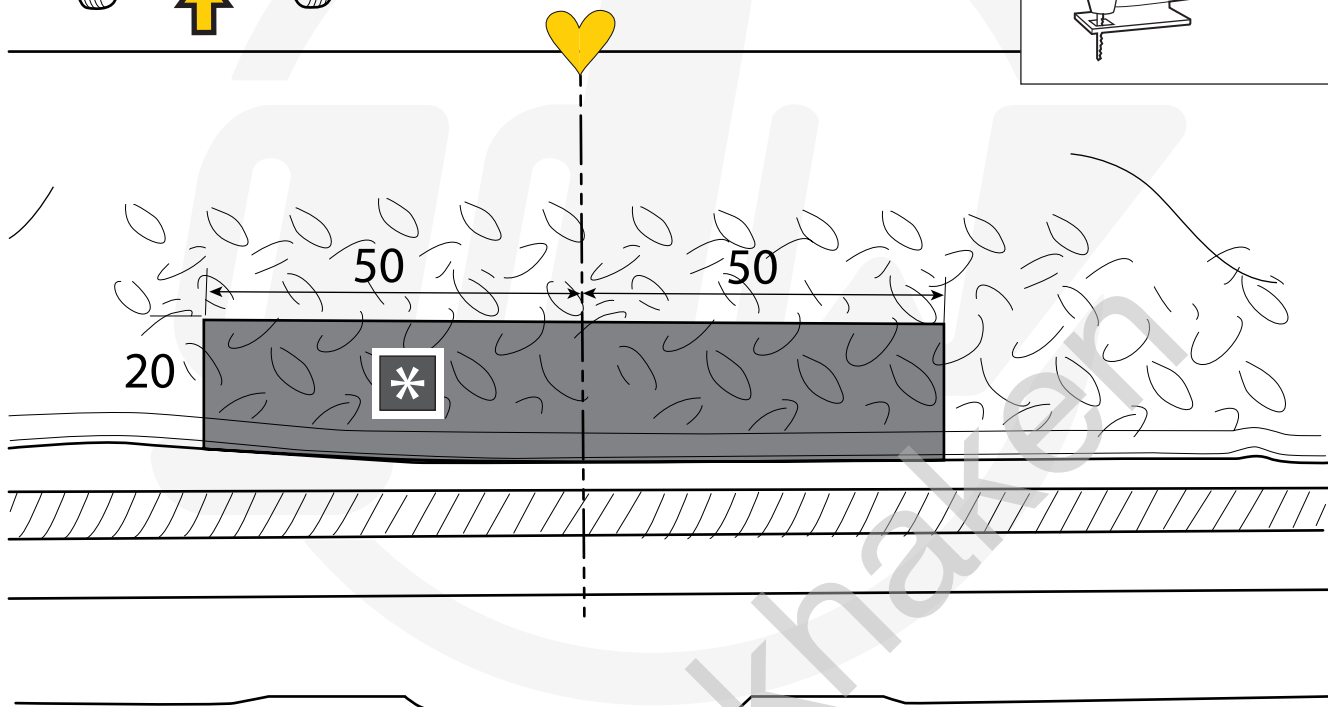
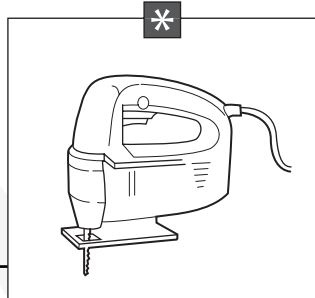
1

2

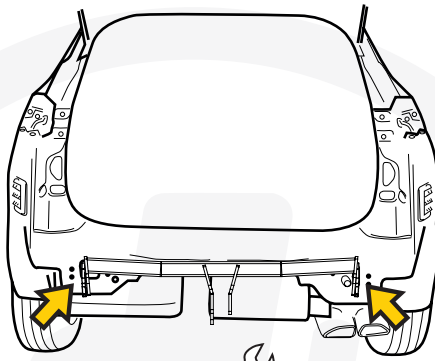




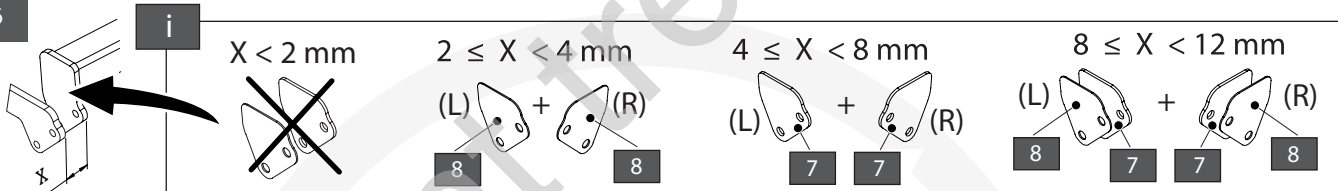
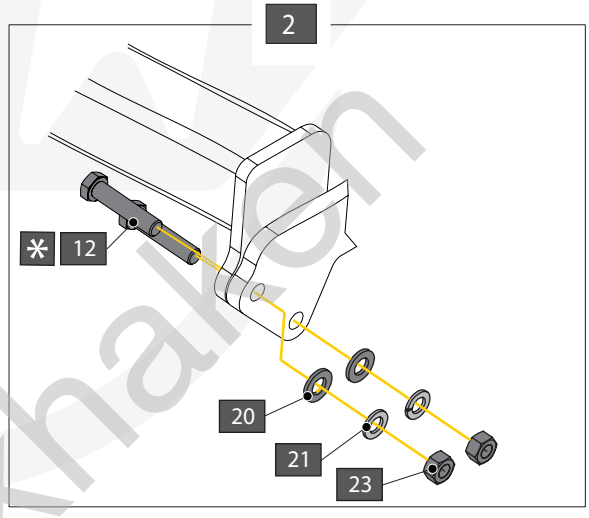
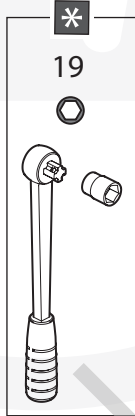
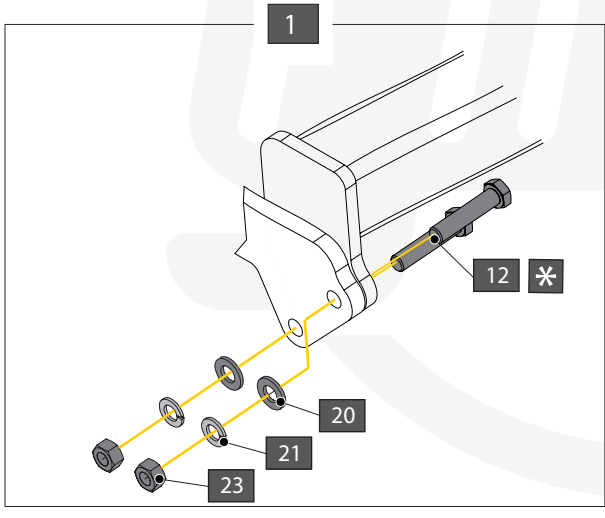
SPORTAGE V '22



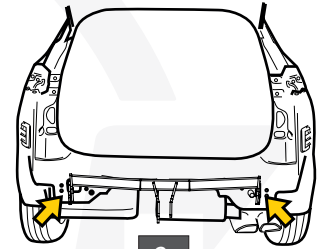
TUCSON III SPORTAGE FL



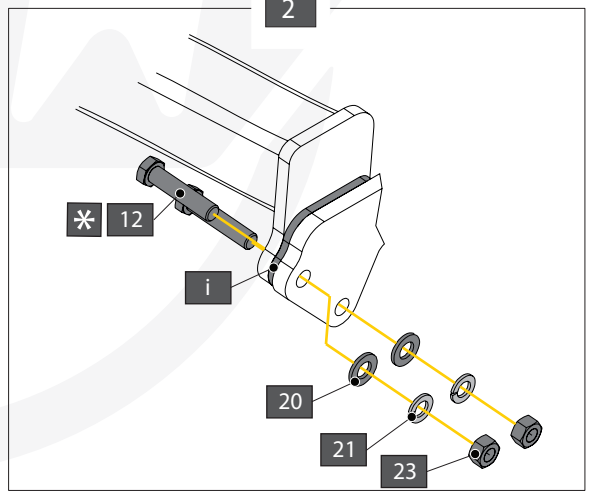
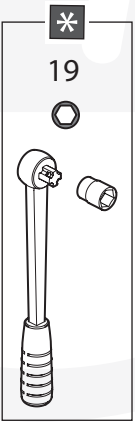
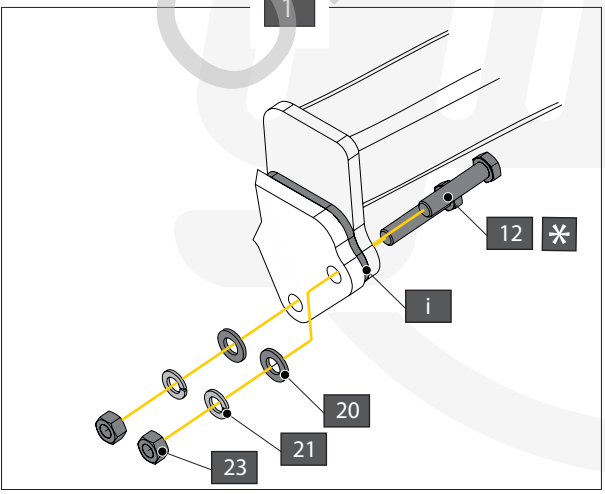
137,0 Nm

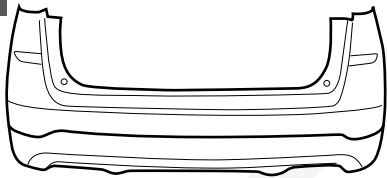


TUCSON IV SPORTAGE V '22

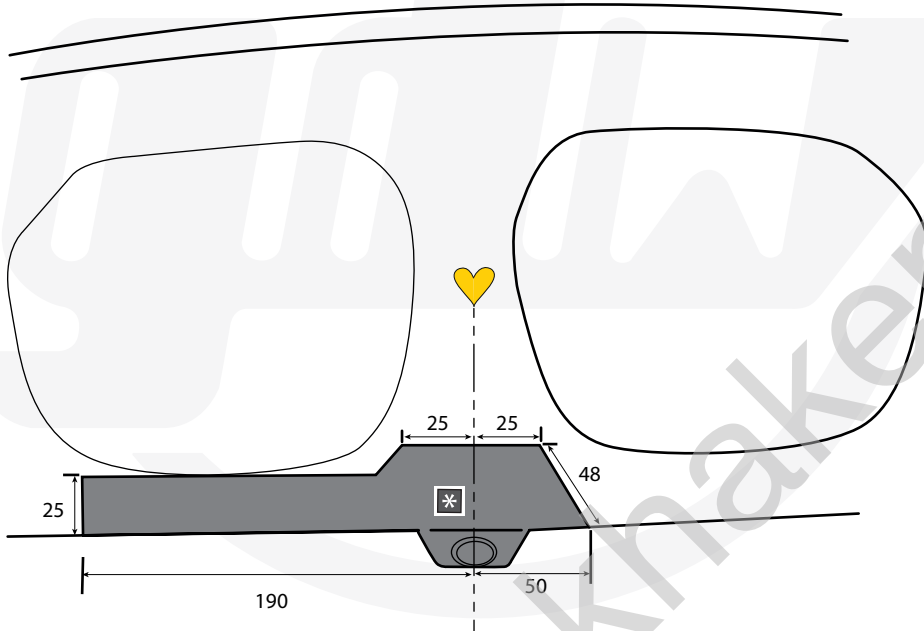
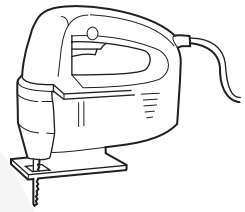


137,0 Nm

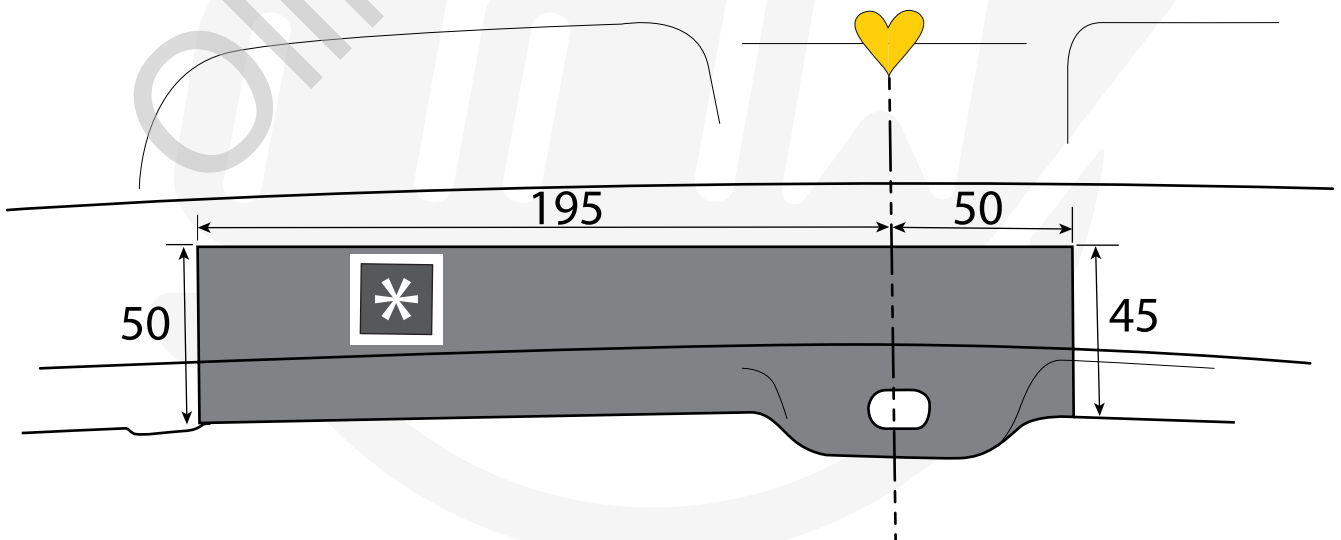




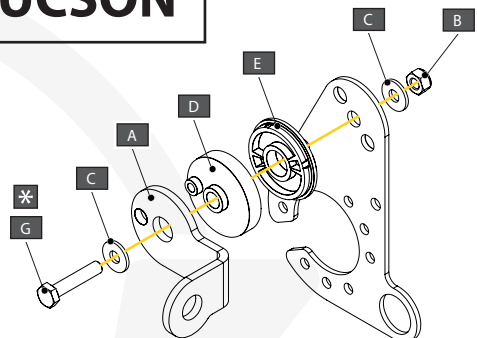
**ONLY
KIA SPORTAGE FL**



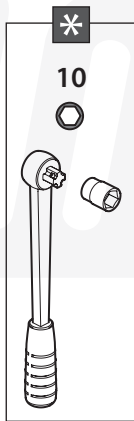
SPORTAGE V '22



HYUNDAI TUCSON

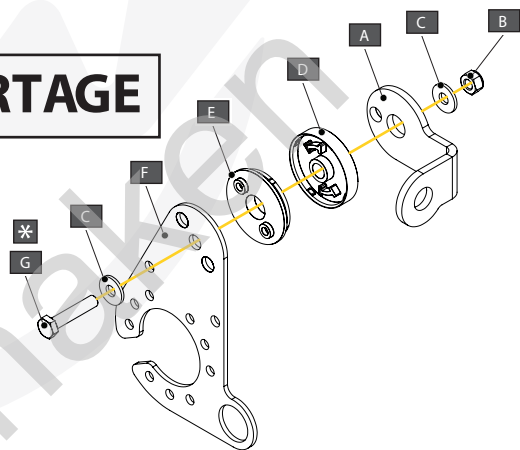


2,0 Nm

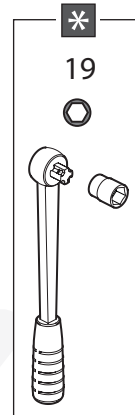


A		X1	GDW REF. 908.095
B		X1	DIN985-M6
C		X2	6,2 X 15,4 X 1,6 (NYLON)
D		X1	GDW REF. 718.16.002
E		X1	GDW REF. 718.16.003
F		X1	GDW REF. 908.094
G		X1	DIN933-M6 X 30

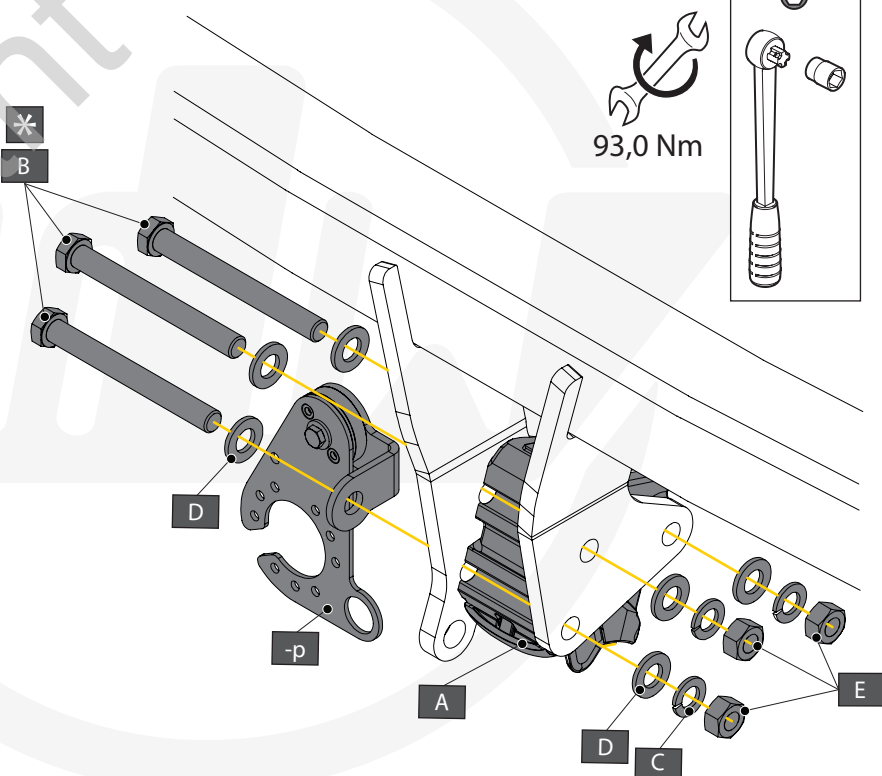
KIA SPORTAGE

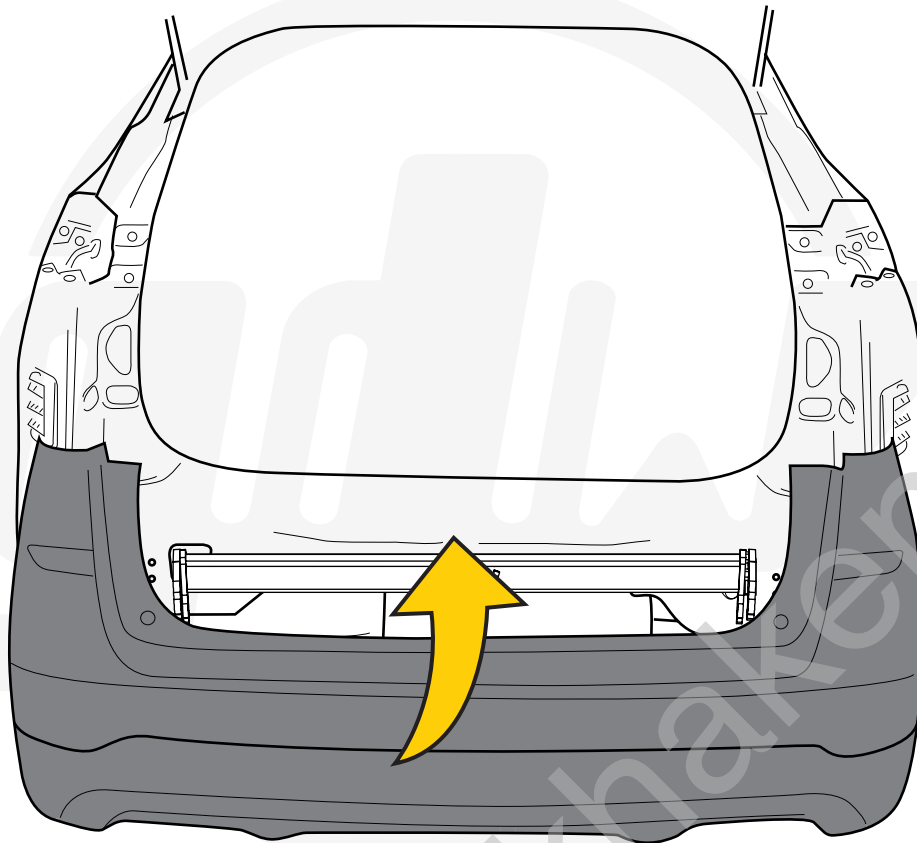


93,0 Nm

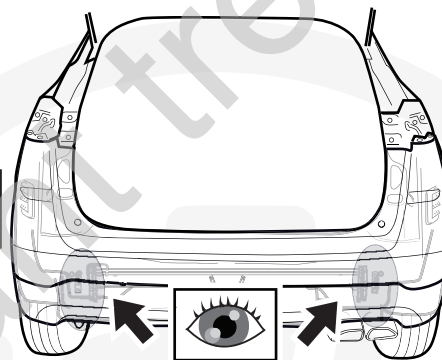


A		X1	GDW REF. 912.003
B		X3	DIN931-M12X110-8.8
C		X3	DIN128A-M12
D		X6	DIN125A-M12
E		X3	DIN934-M12

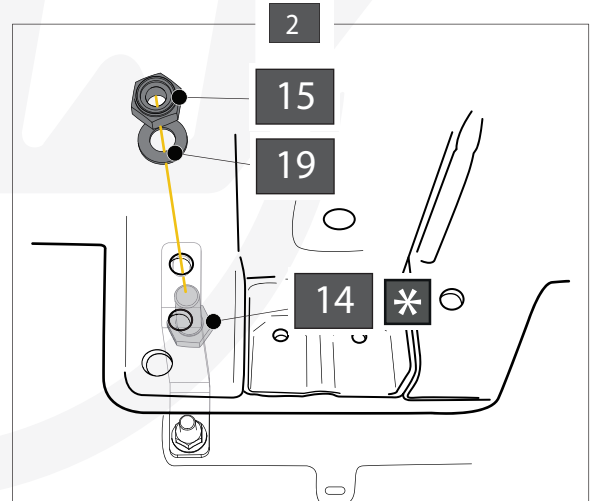
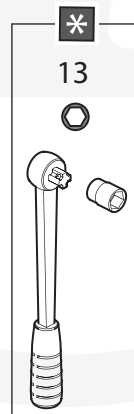
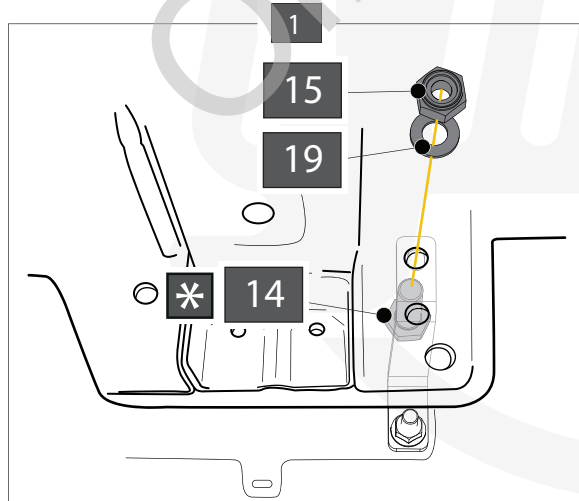




TUCSON III
SPORTAGE FL



27,3 Nm



TUCSON IV

