

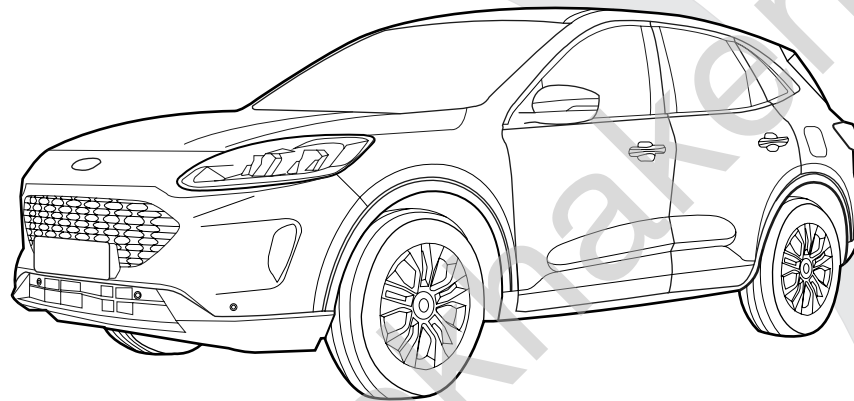


TREKHAKEN • ATTELAGES • ANHÄNGERVORRICHTUNGEN • TOWBARS • ENHANCES • ANHÆNGERTRÆK
Montagehandleiding | instructions de montage | Einbauanleitung | Mounting instruction
Instrucciones de montaje | monteringsvejledning

Ford Kuga III Phase I (type DFK) 07/'19 -

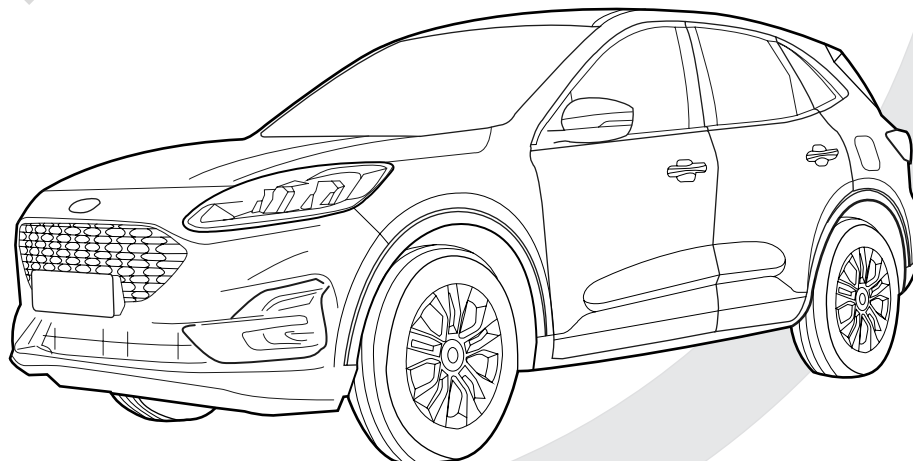


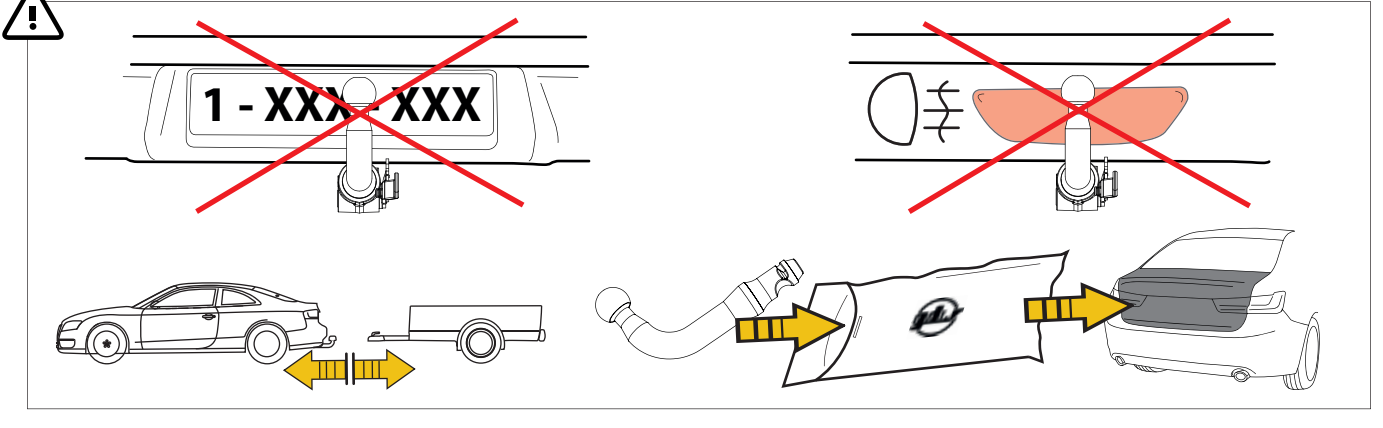
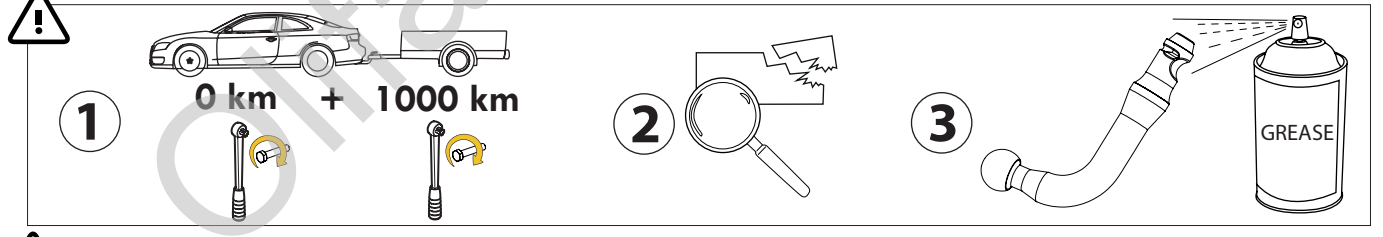
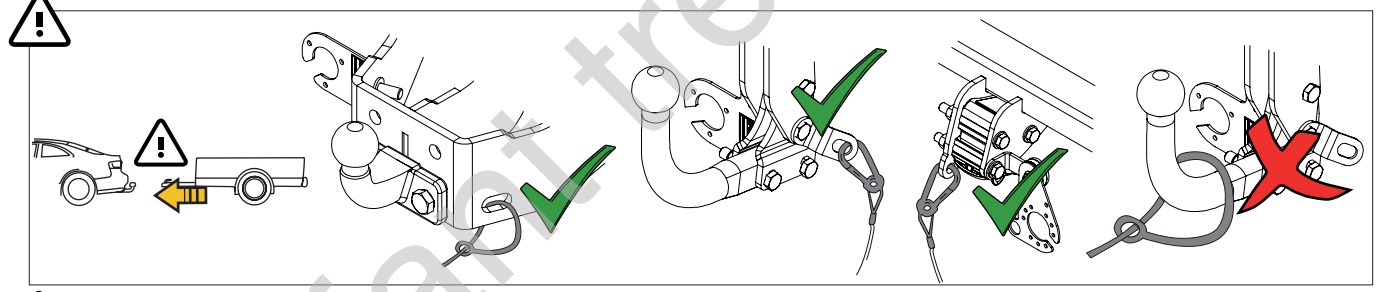
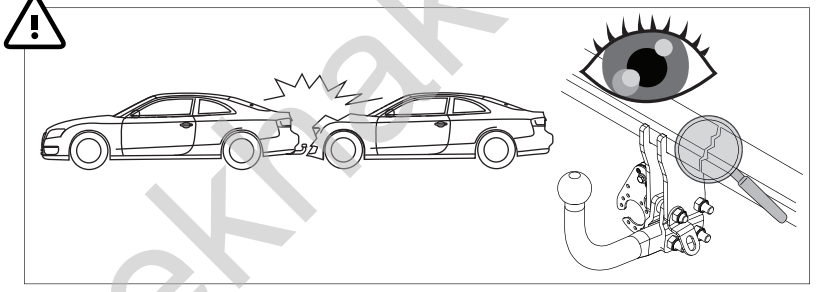
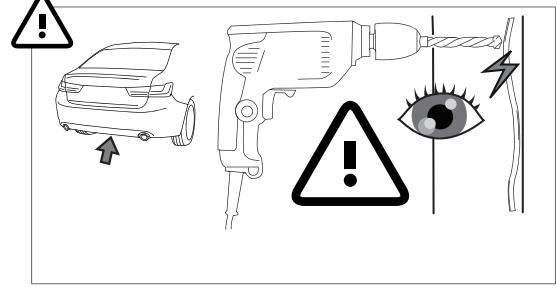
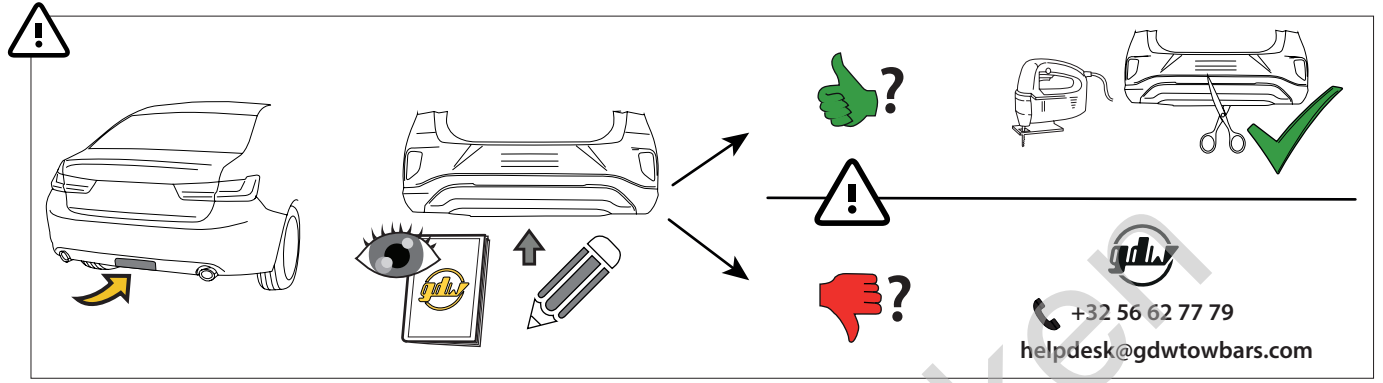
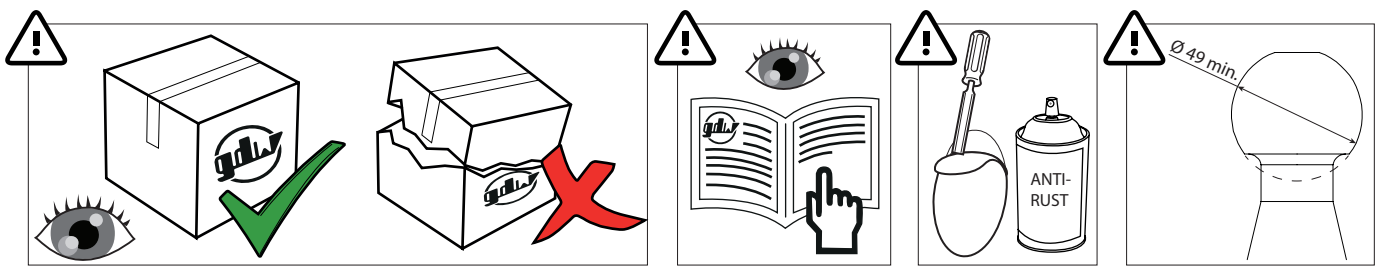
- ✓ STANDARD
- ✓ MILD HYBRID
- ✓ ST-LINE
- ✓ PLUG-IN HYBRID




Ford Kuga III Facelift Phase II (type DFK) 01/'21 -

- ✓ STANDARD
- ✓ HYBRID
- ✓ KICK SENSOR
- ✓ PLUG-IN HYBRID






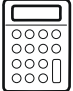
MADE BY  **D 10,85** **F** **E6**

BELGIUM **S 120** EC-N° 55R-02 1711

REF N° 2637T60 SERIAL N° XXXX

DESCRIPTION

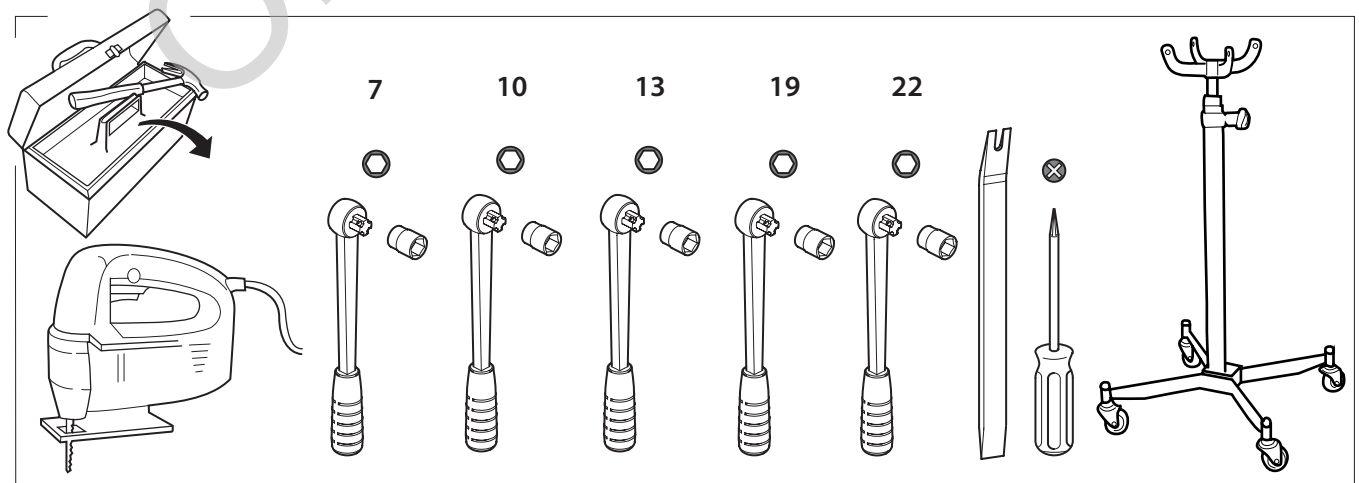
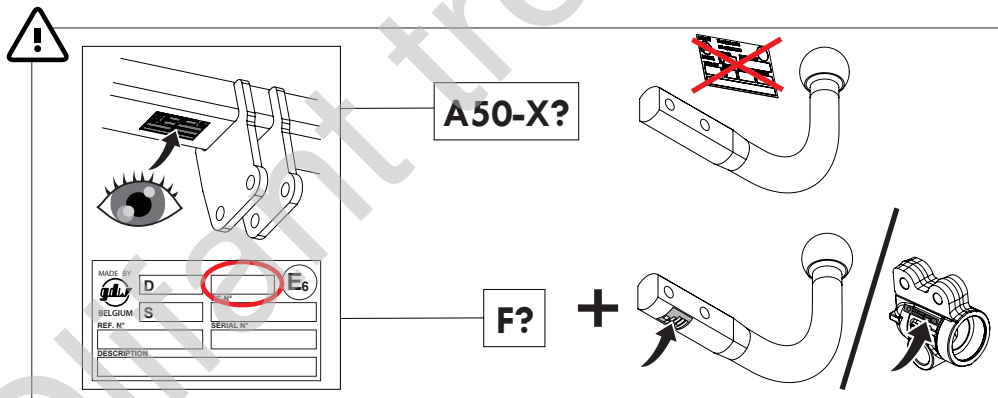
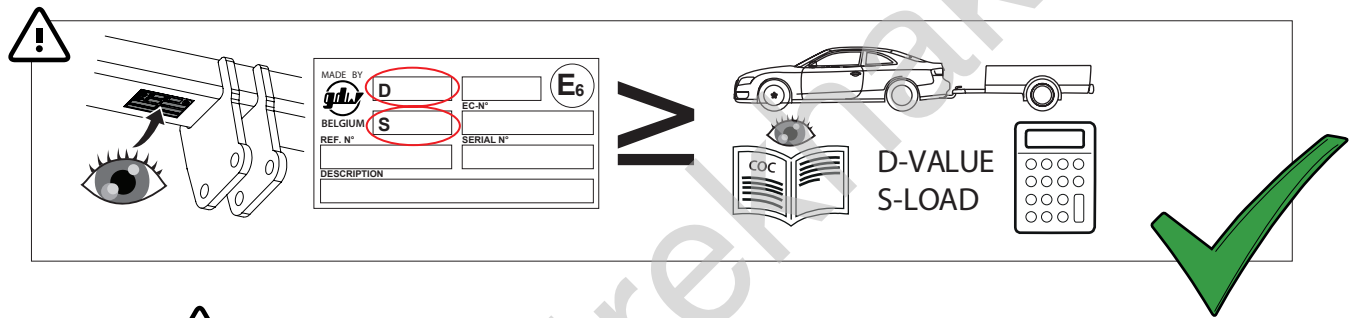
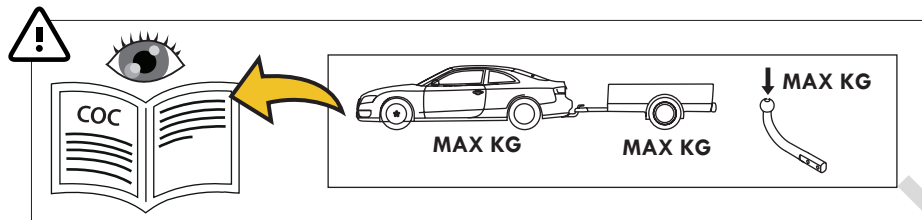
Ford Kuga 07/'19- + Facelift 01/'21-

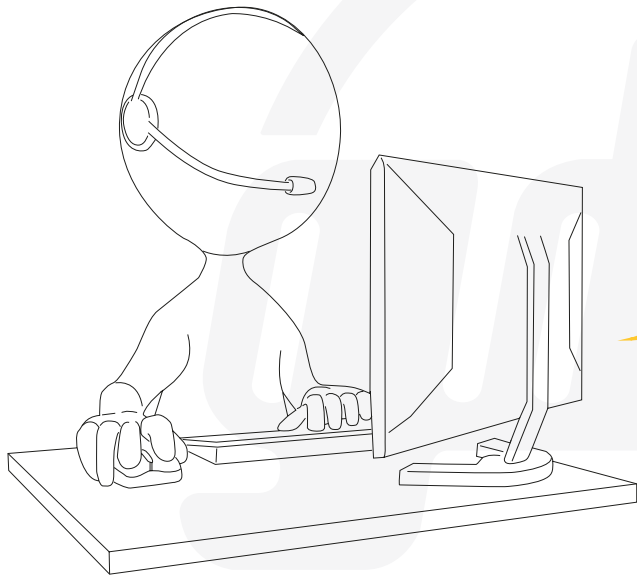
 

$$D = \frac{\text{max kg} \times \text{max kg}}{\text{max kg} + \text{max kg}} \times 0.00981 \leq 10,85 \text{ kN}$$

$$S = \begin{matrix} \leq 120 \text{ kg} \\ \leq 2100 \text{ kg} \end{matrix}$$

See the Certificate Of Conformity (COC) of your vehicle or contact your dealer to verify the max. trailer weight of your car!

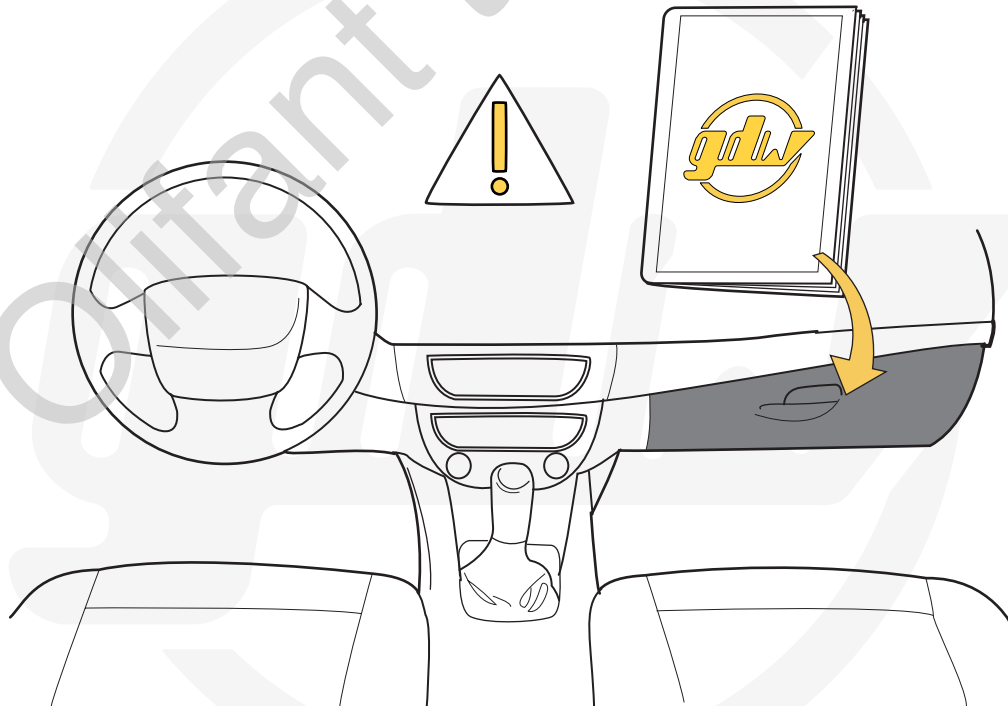


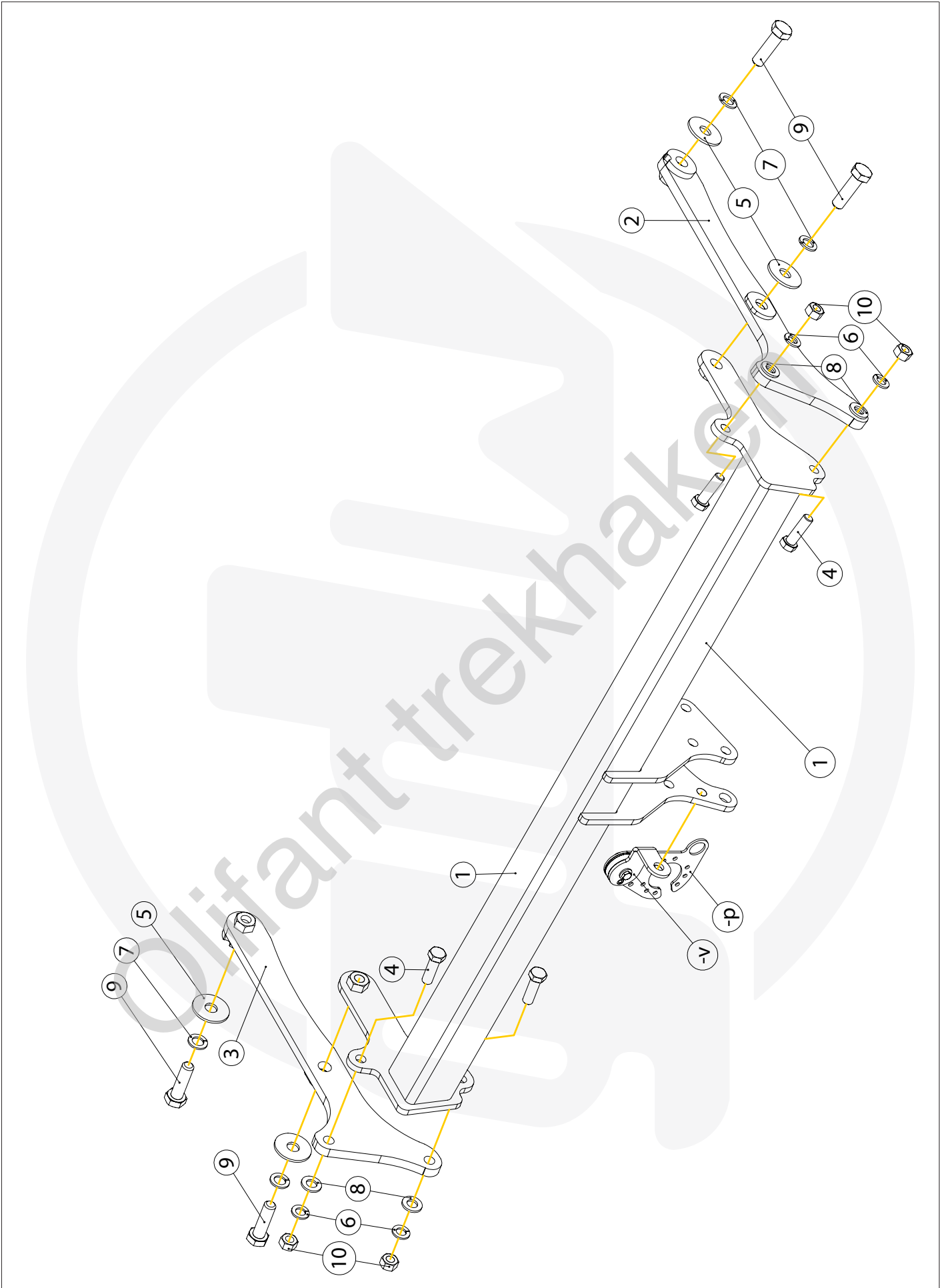


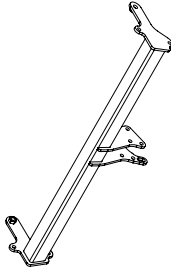
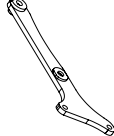
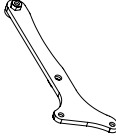






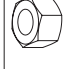

helpdesk@gdwtowbars.com

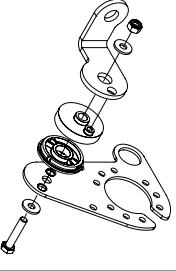




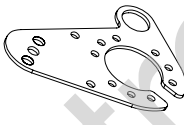


+32 56 62 77 79

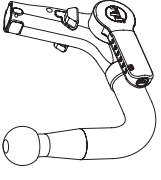

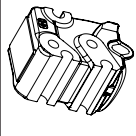


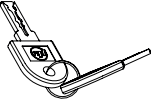

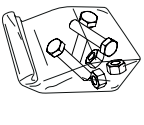



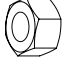
Monday	08:00 - 12:00	12:30 - 16:30
Tuesday	08:00 - 12:00	12:30 - 16:30
Wednesday	08:00 - 12:00	12:30 - 16:30
Thursday	08:00 - 12:00	12:30 - 16:30
Friday	08:00 - 12:00	12:30 - 15:30



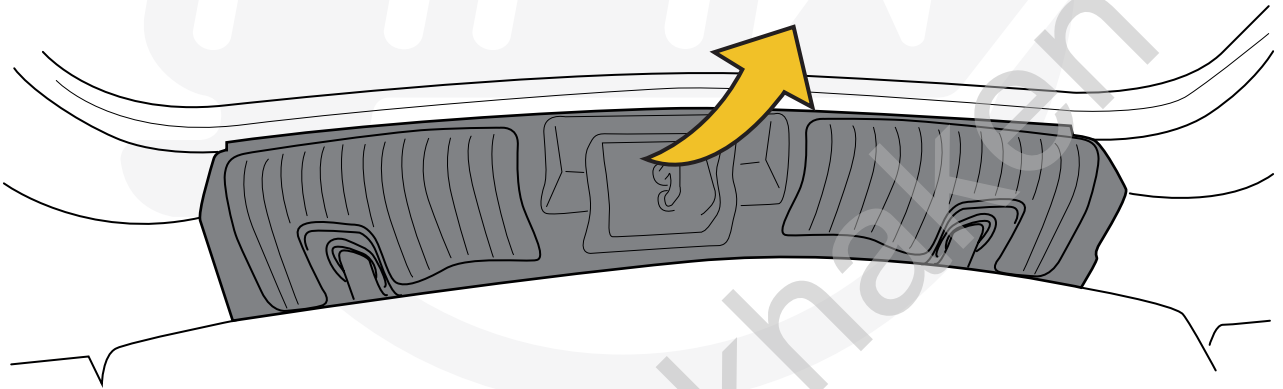
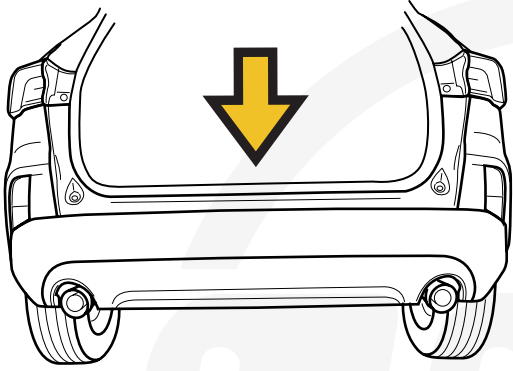


1		X1	GDW REF. 2637160
2		X1	GDW REF. 2
3		X1	GDW REF. 3
4		X4	DIN933-M12 X 40
5		X4	DIN9021-M14-ELVZ
6		X4	DIN128A-M12
7		X4	DIN128A-M14
8		X4	DIN125-A12-140HV-ELVZ
9		X4	DIN931-M14 X 50
10		X4	DIN934-M12
-V		X1	GDW REF. 908.095

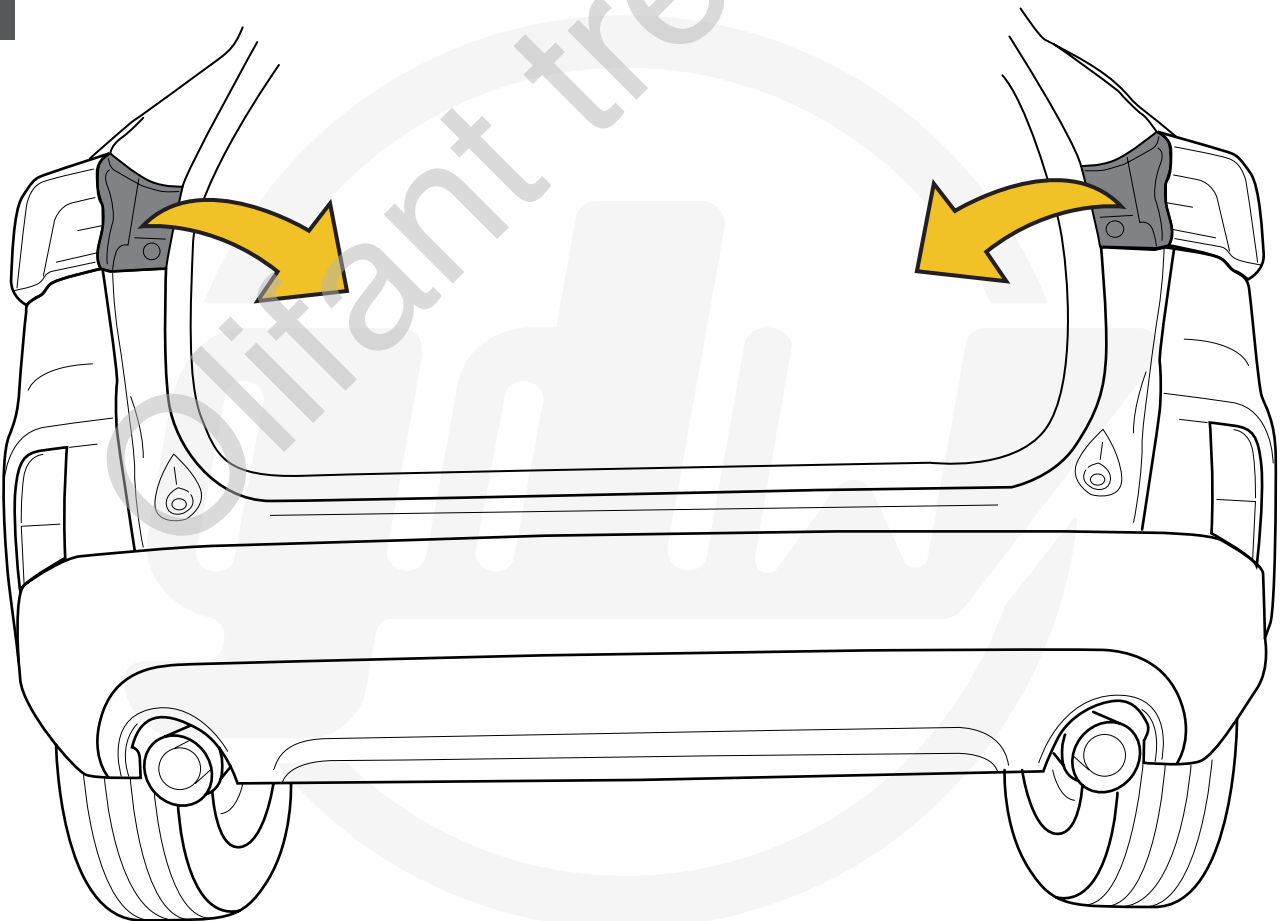
-P		X1	GDW REF. P39
↑		X1	DIN985-M6
↑		X2	6,2 X 15,4 X 1,6 (NYLON)
↑		X1	GDW REF. 718.16.002
↑		X1	GDW REF. 718.16.003
↑		X1	GDW REF. 908.094
↑		X1	DIN933-M6 X 30
↑		X1	GDW REF. 908.095

Geleverd met - Livré avec - Delivered with Gefiefert mit - Elementos adjuntos - Leverages med		X1	GDW REF. 960.V1208
↑		X1	GDW REF. 740.200
↑		X1	GDW REF. 912.003
↑		X1	GDW REF. 740.112
↑		X1	GDW REF. 740.111
↑		X1	GDW REF. 740.12X X= LAST NUMBER ON KEY
↑		X1	GDW REF. 718.15.001
↑		X1	GDW REF. SYST60-10
↑		X3	DIN931-M12X110-8.8
↑		X3	DIN128A-M12
↑		X6	DIN125A-M12
↑		X3	DIN934-M12

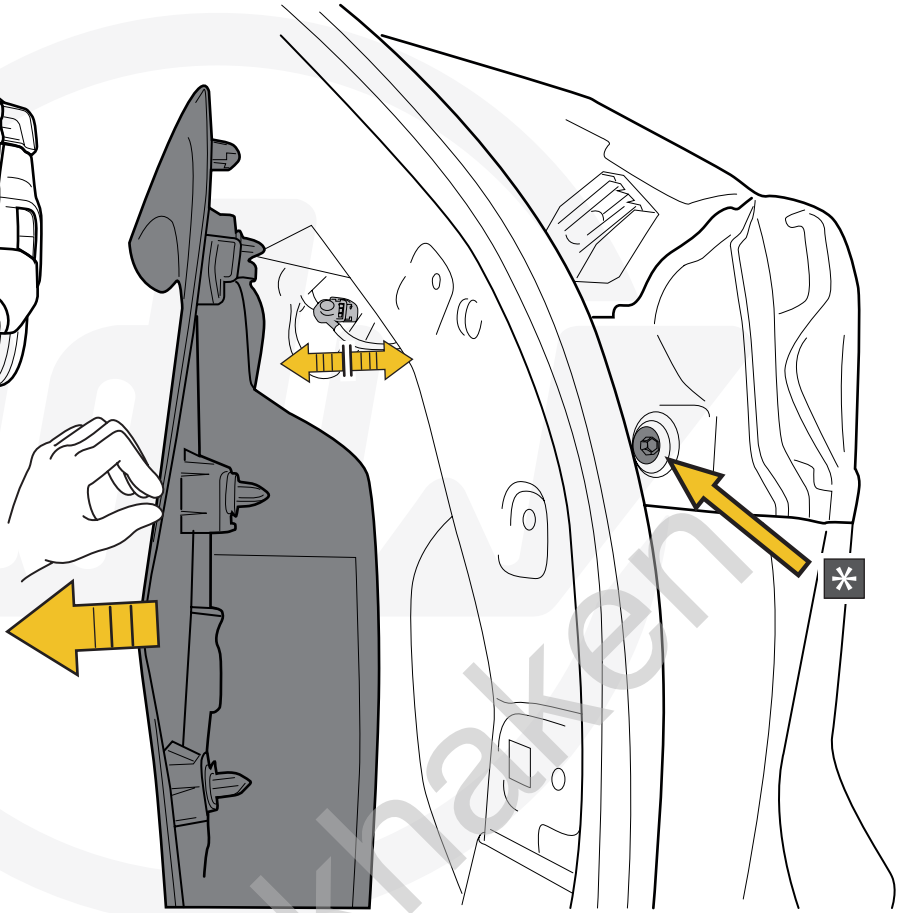
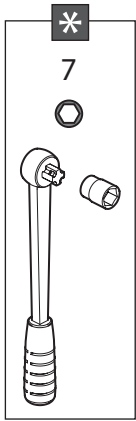
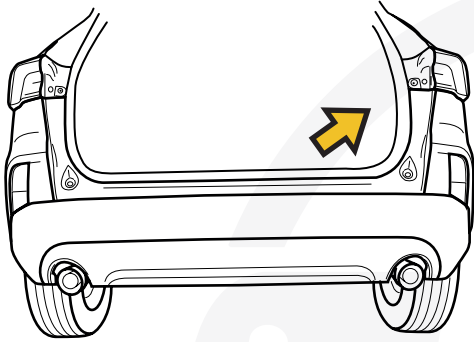
1



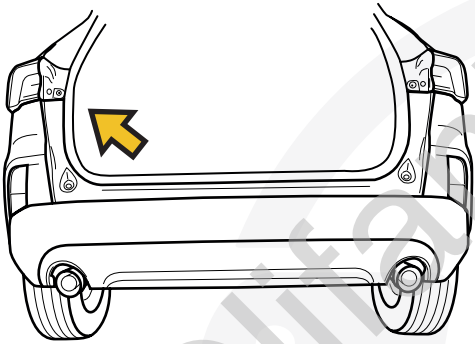
2



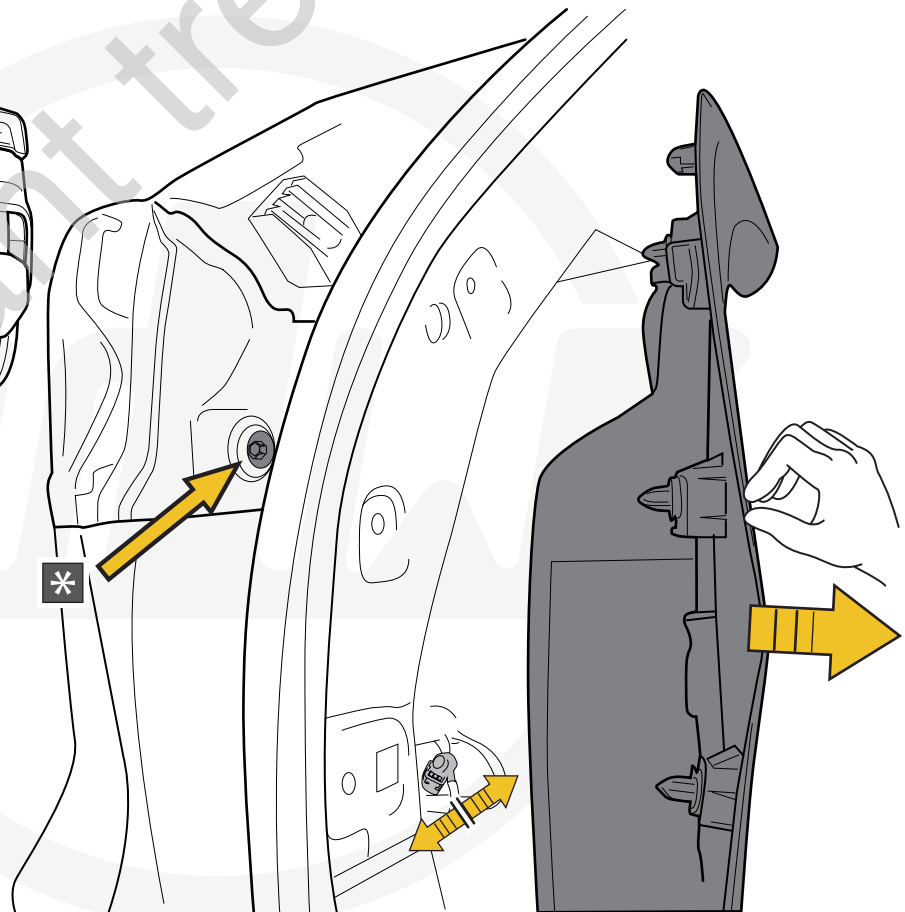
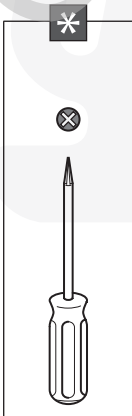
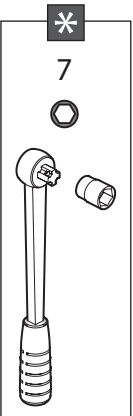
3

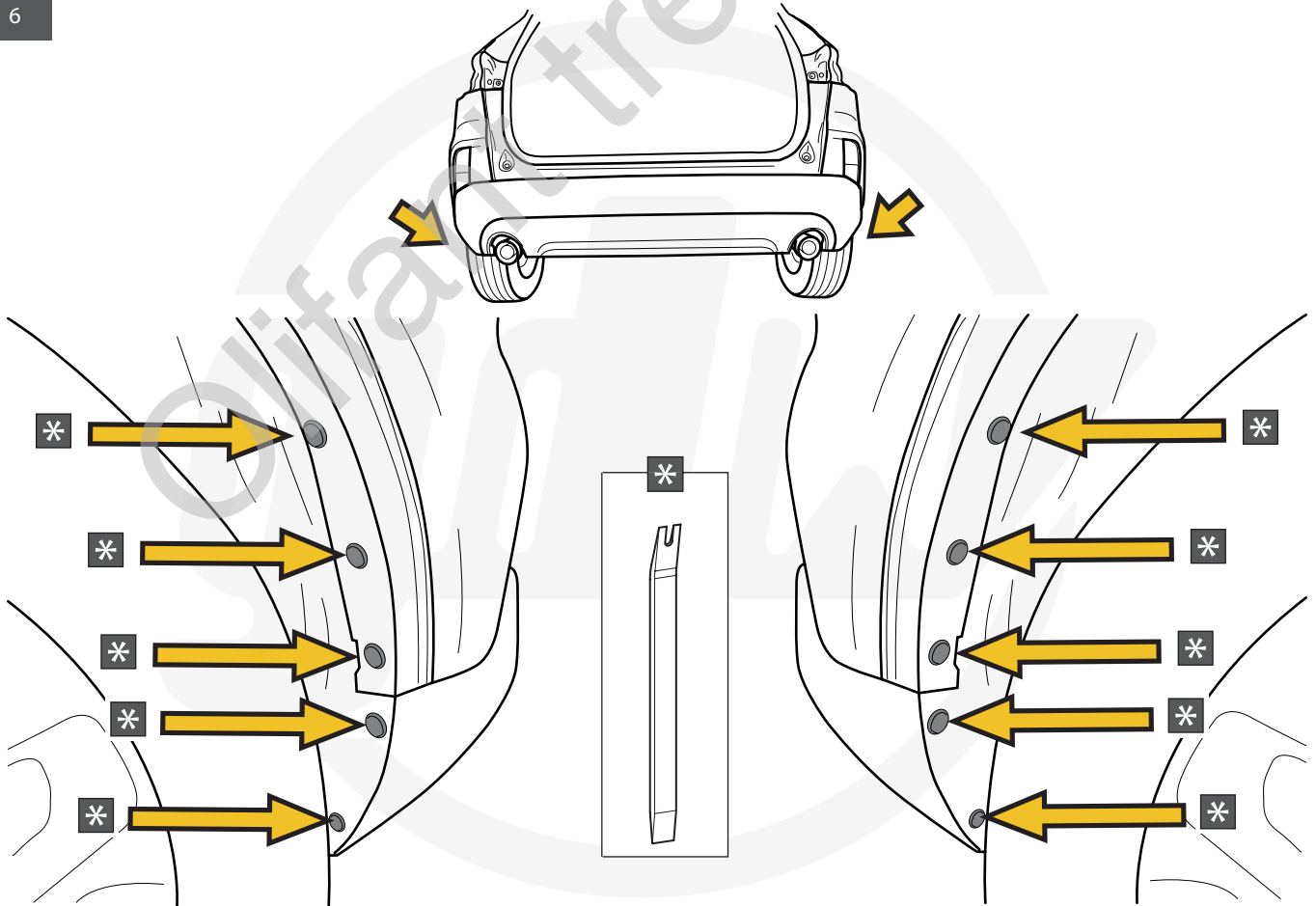
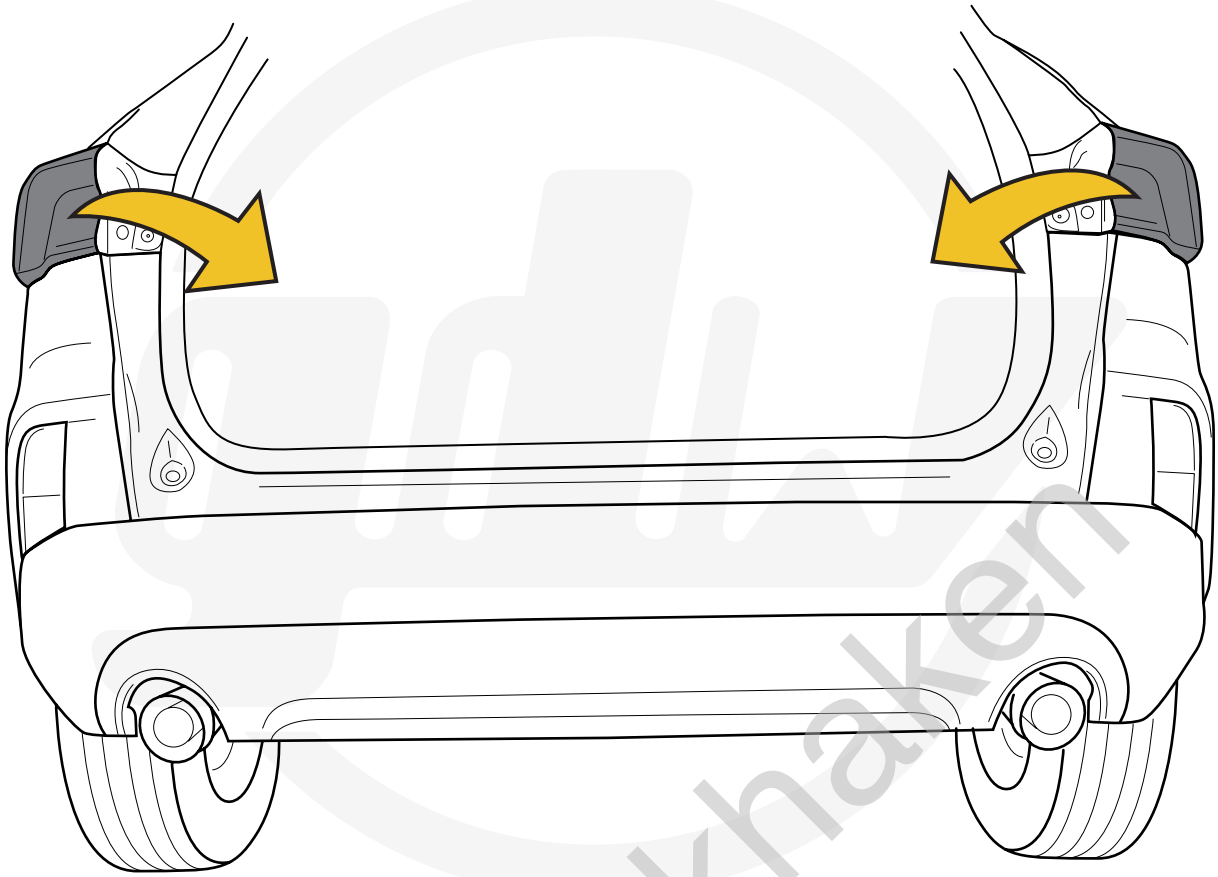


4

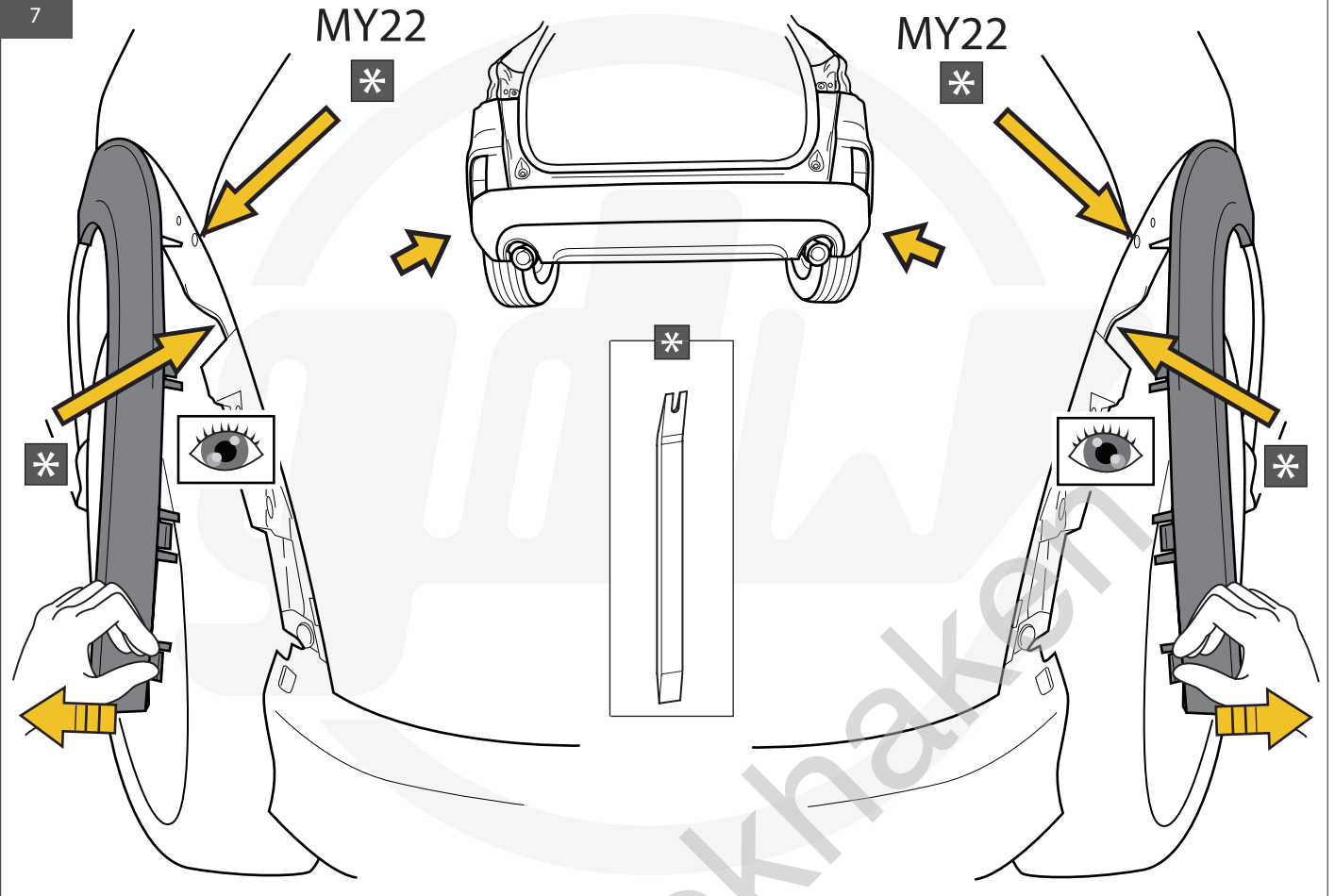


MY19 MY22

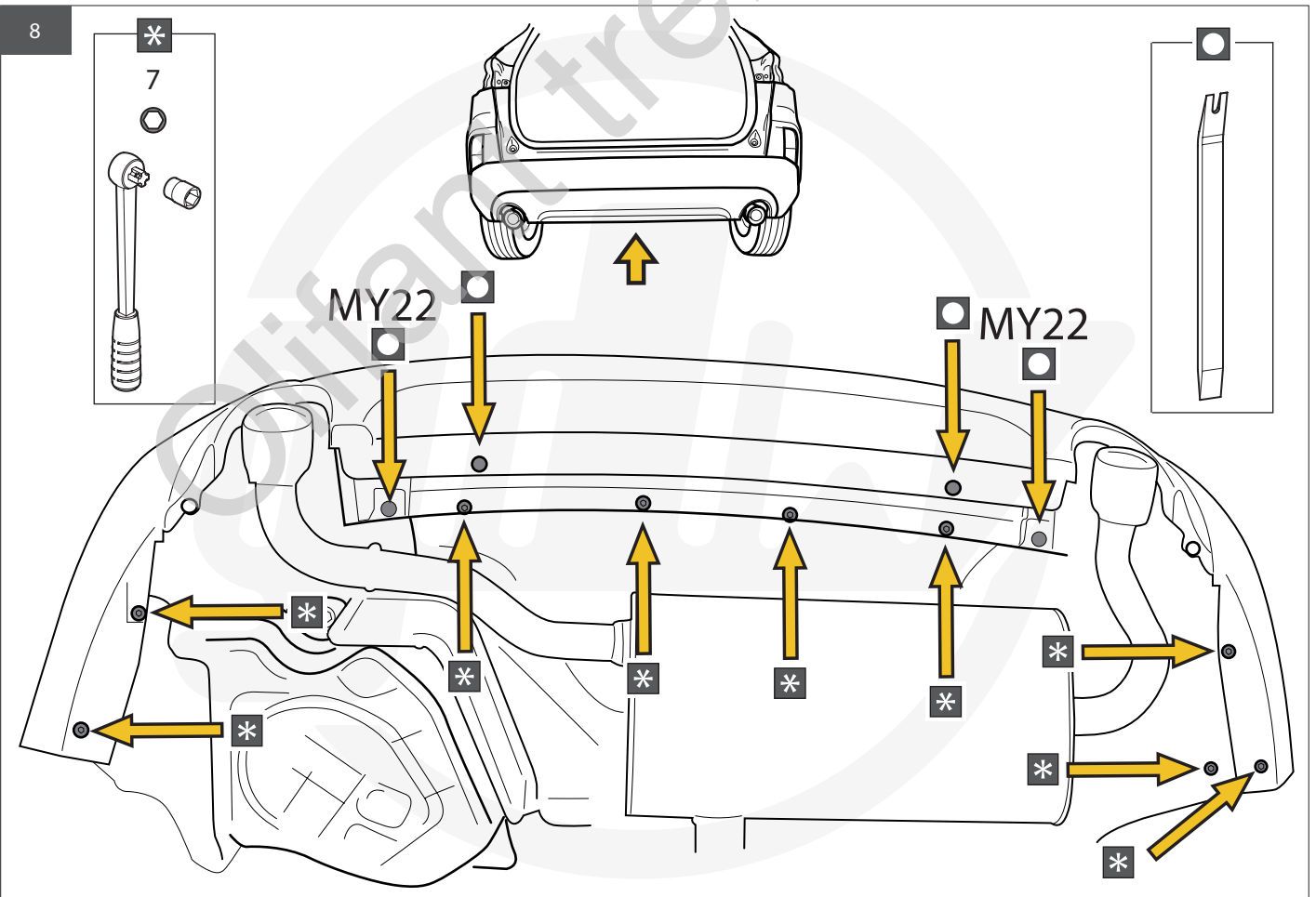


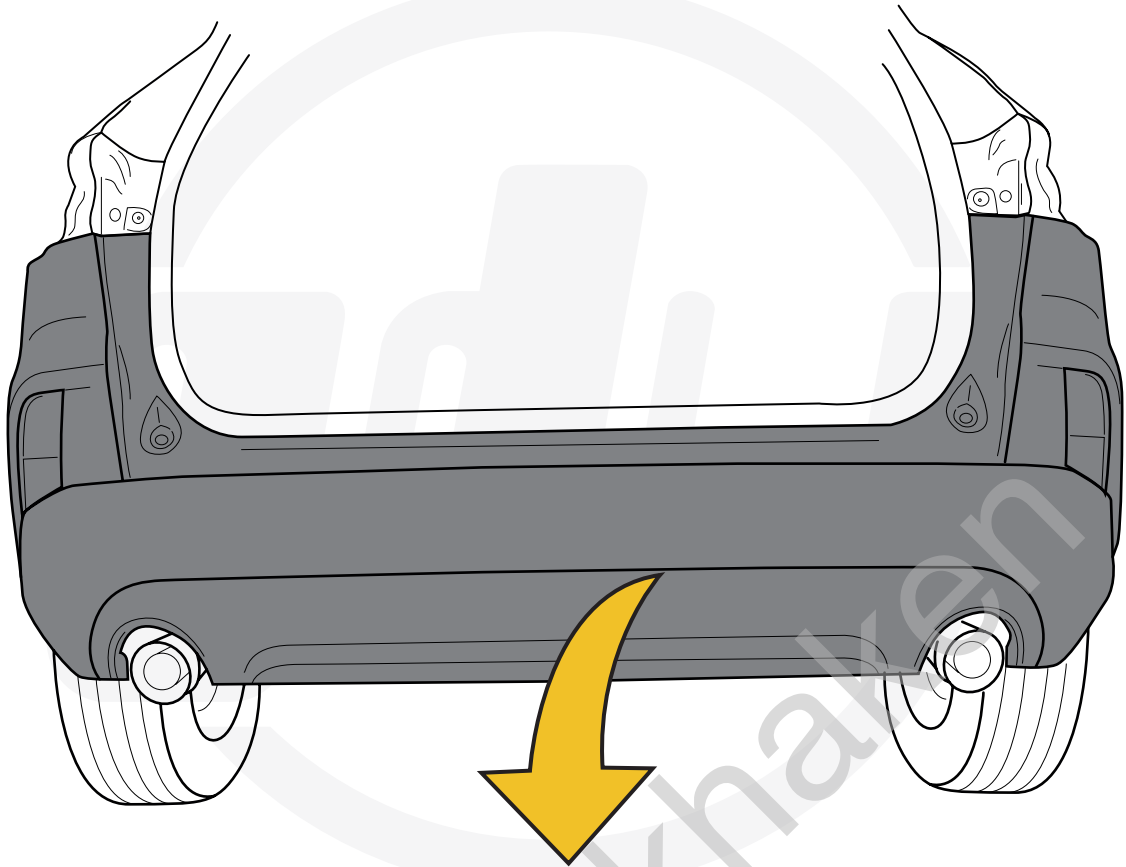


7

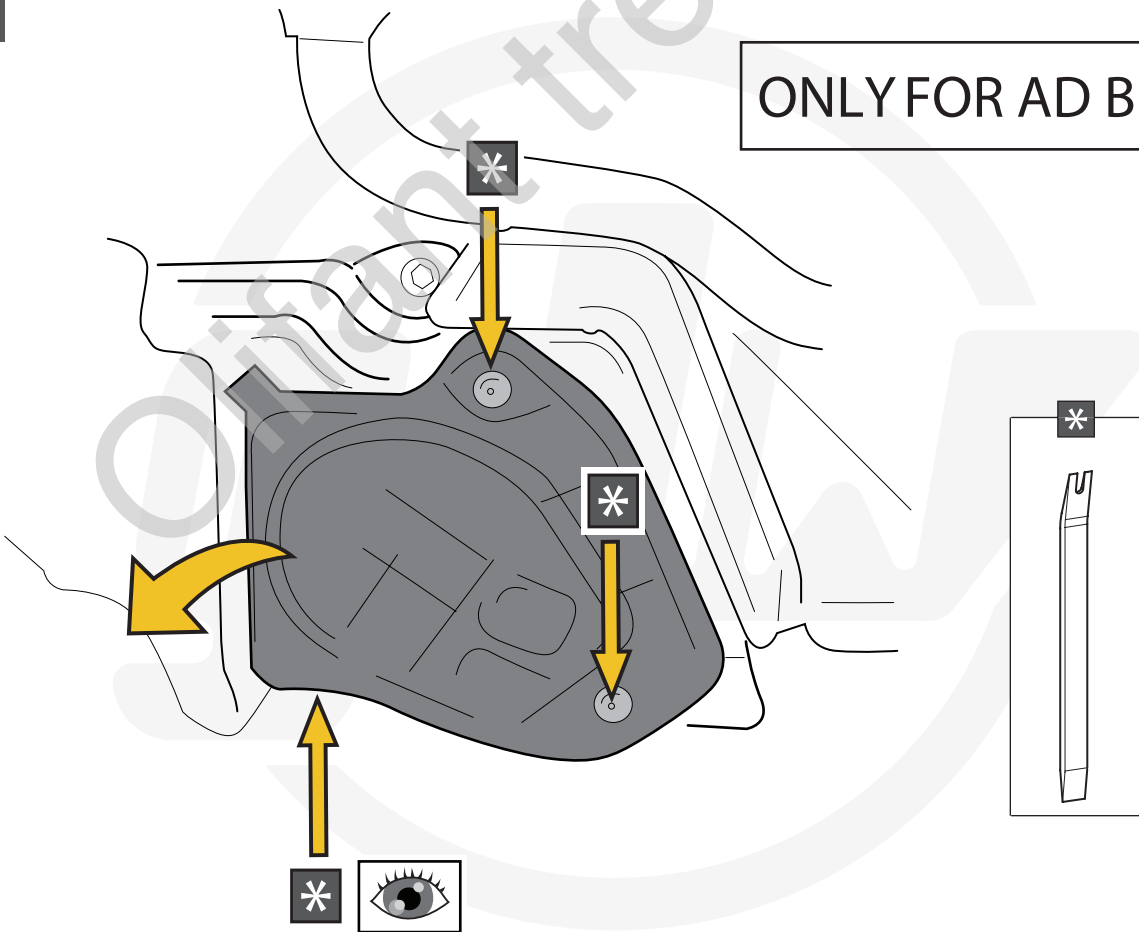


8



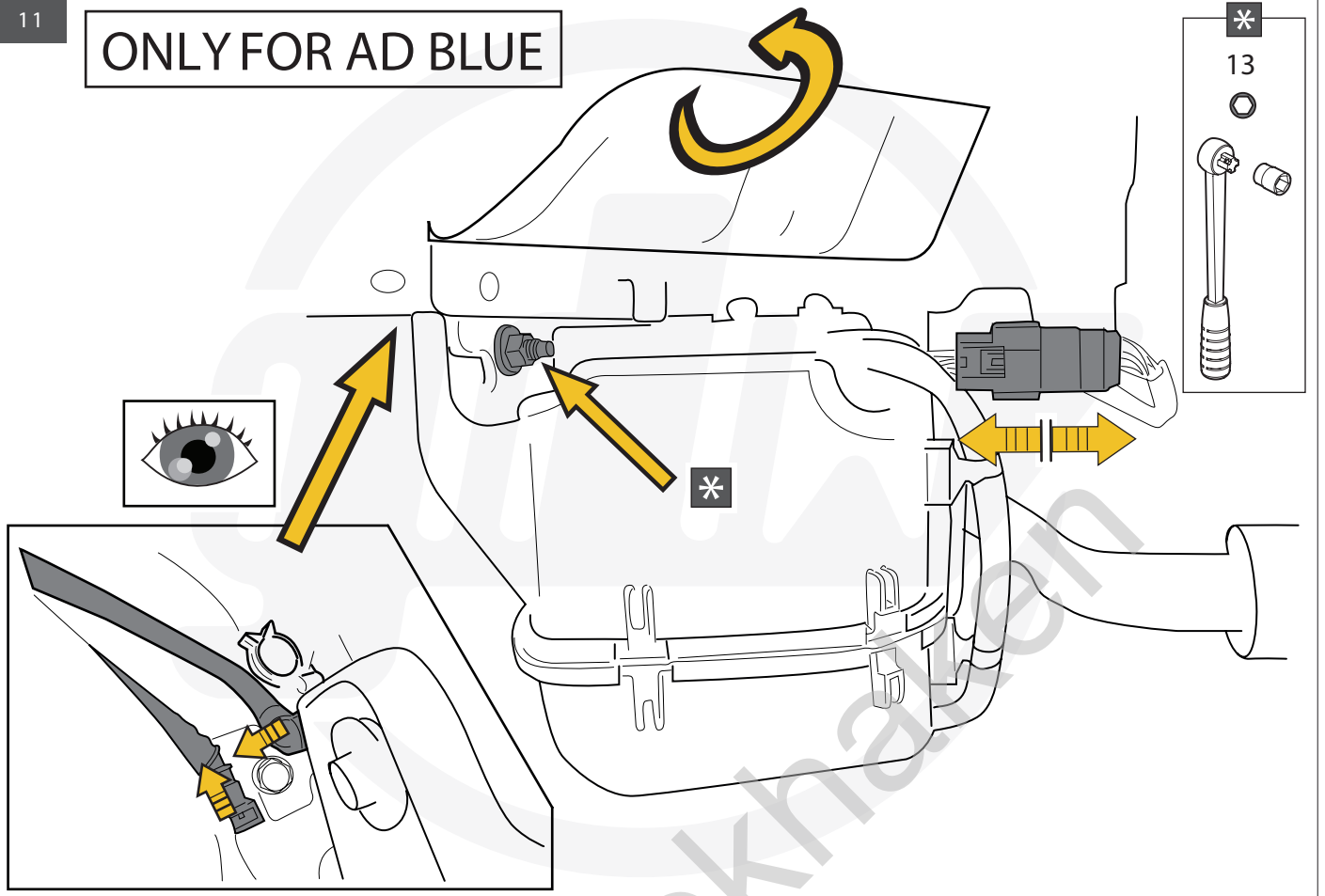


ONLY FOR AD BLUE



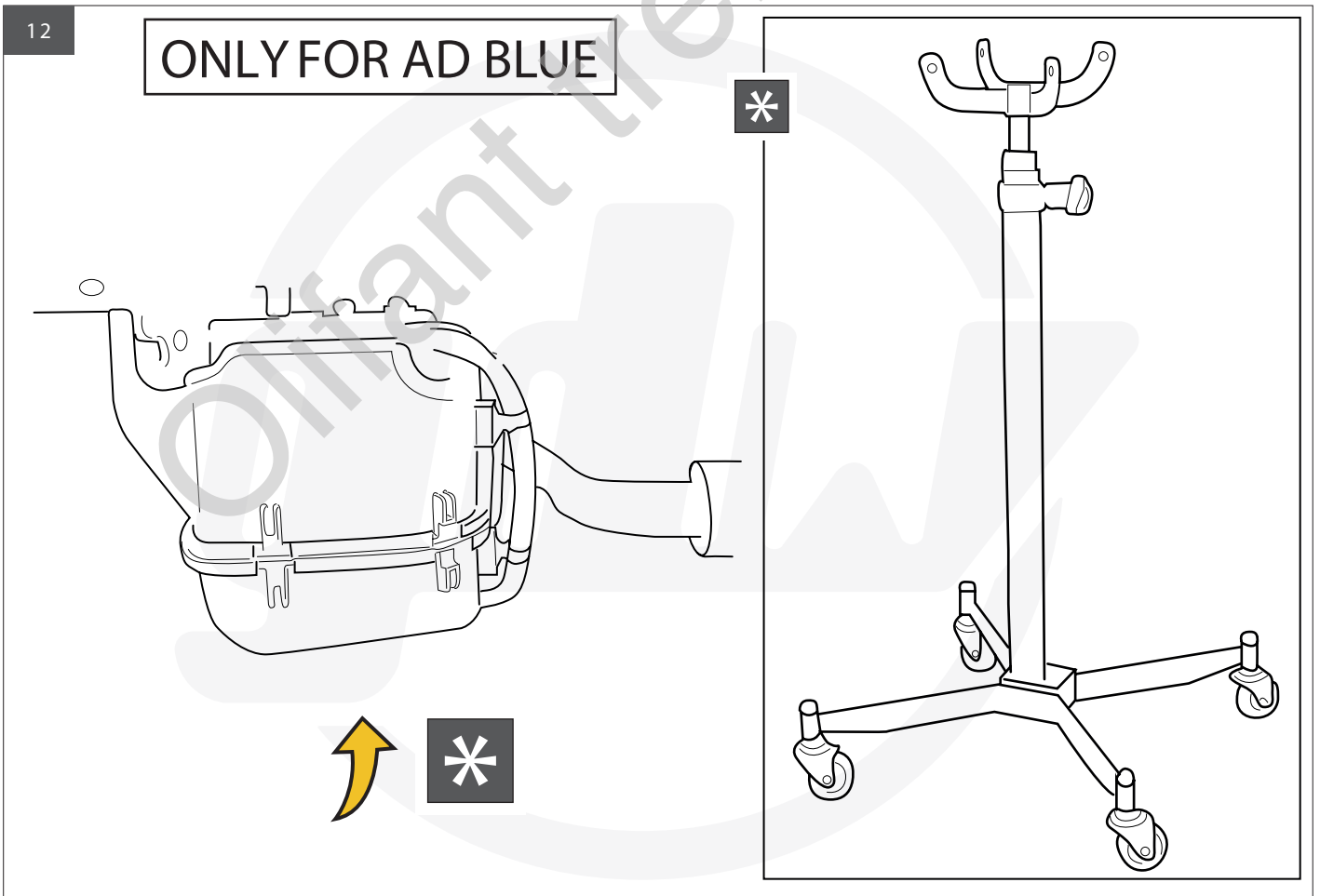
11

ONLY FOR AD BLUE

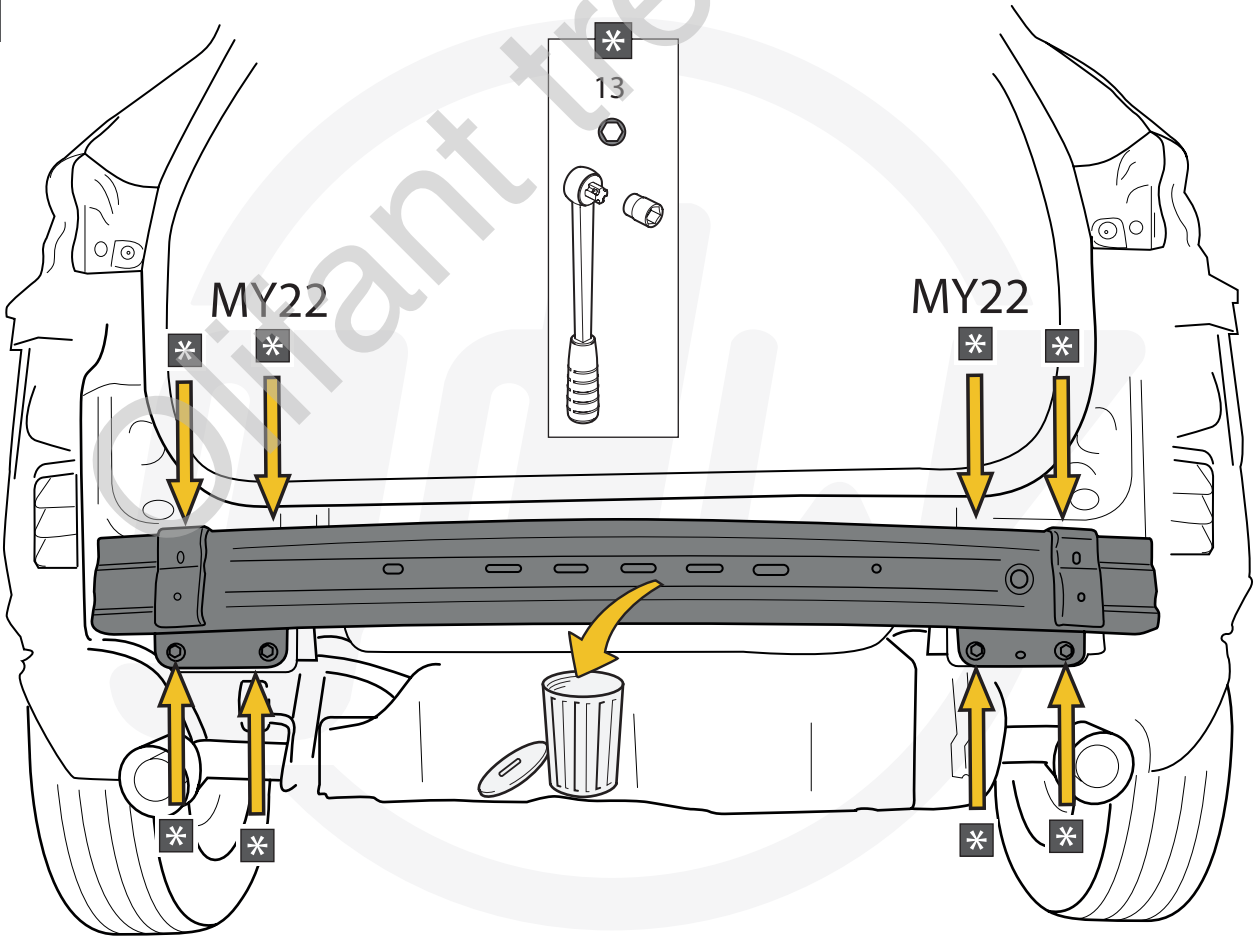
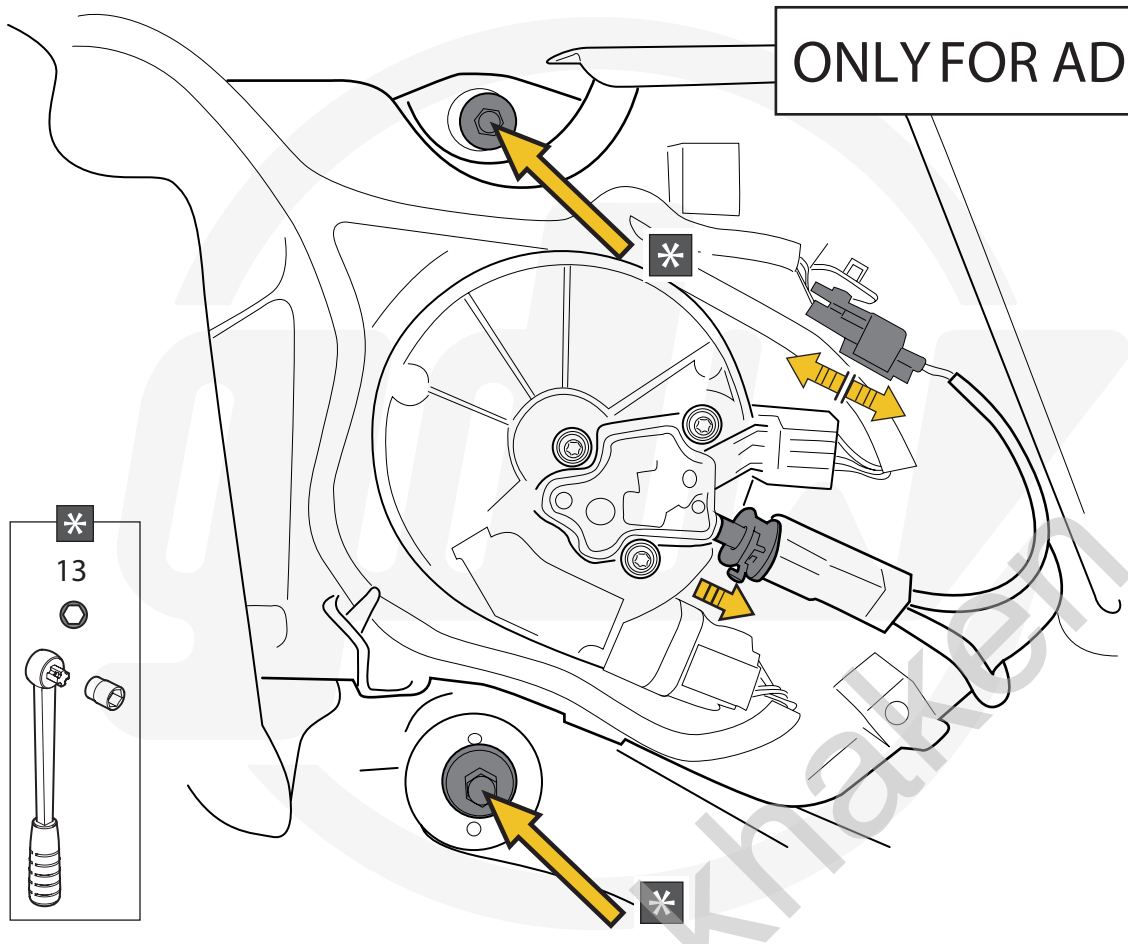


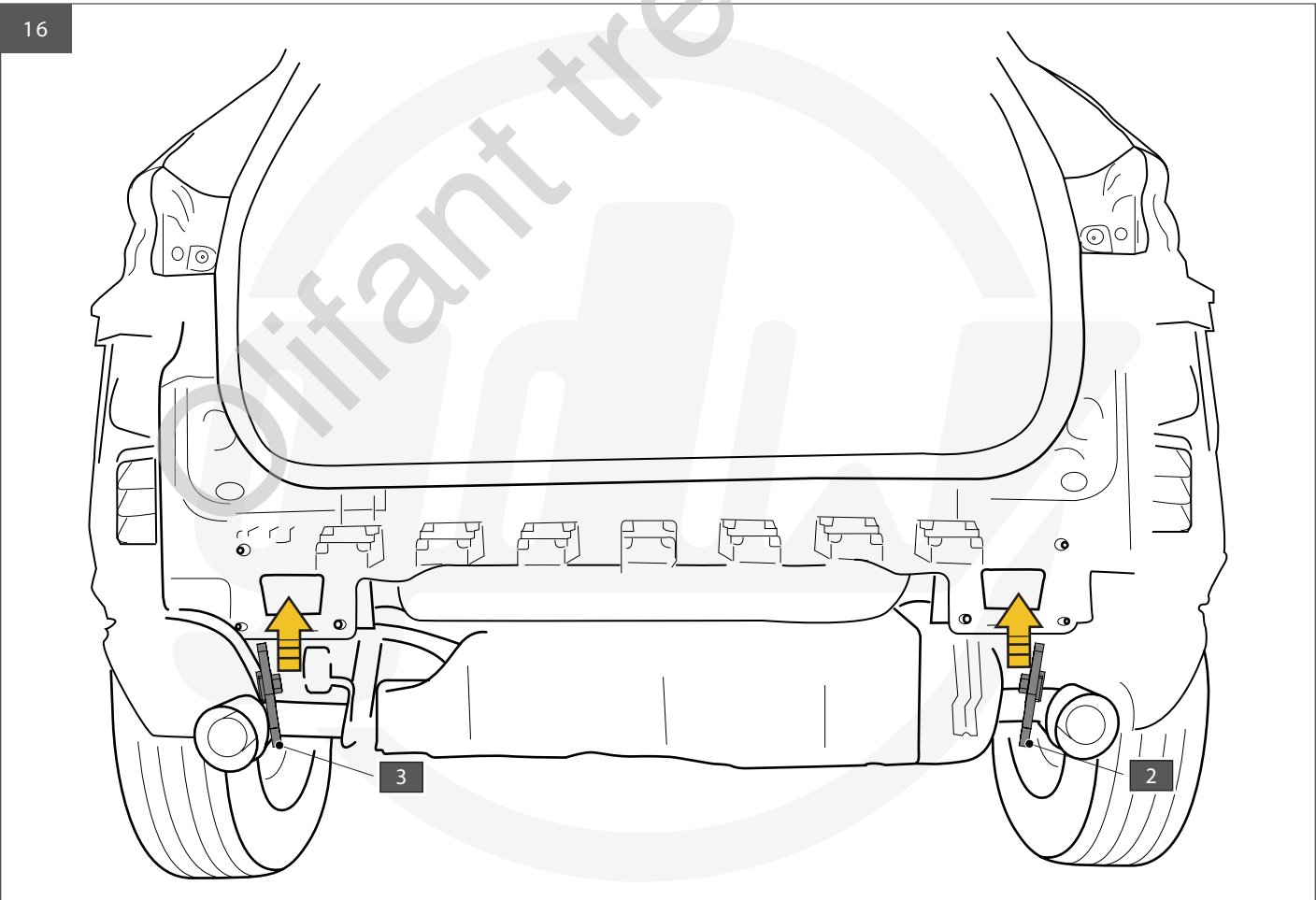
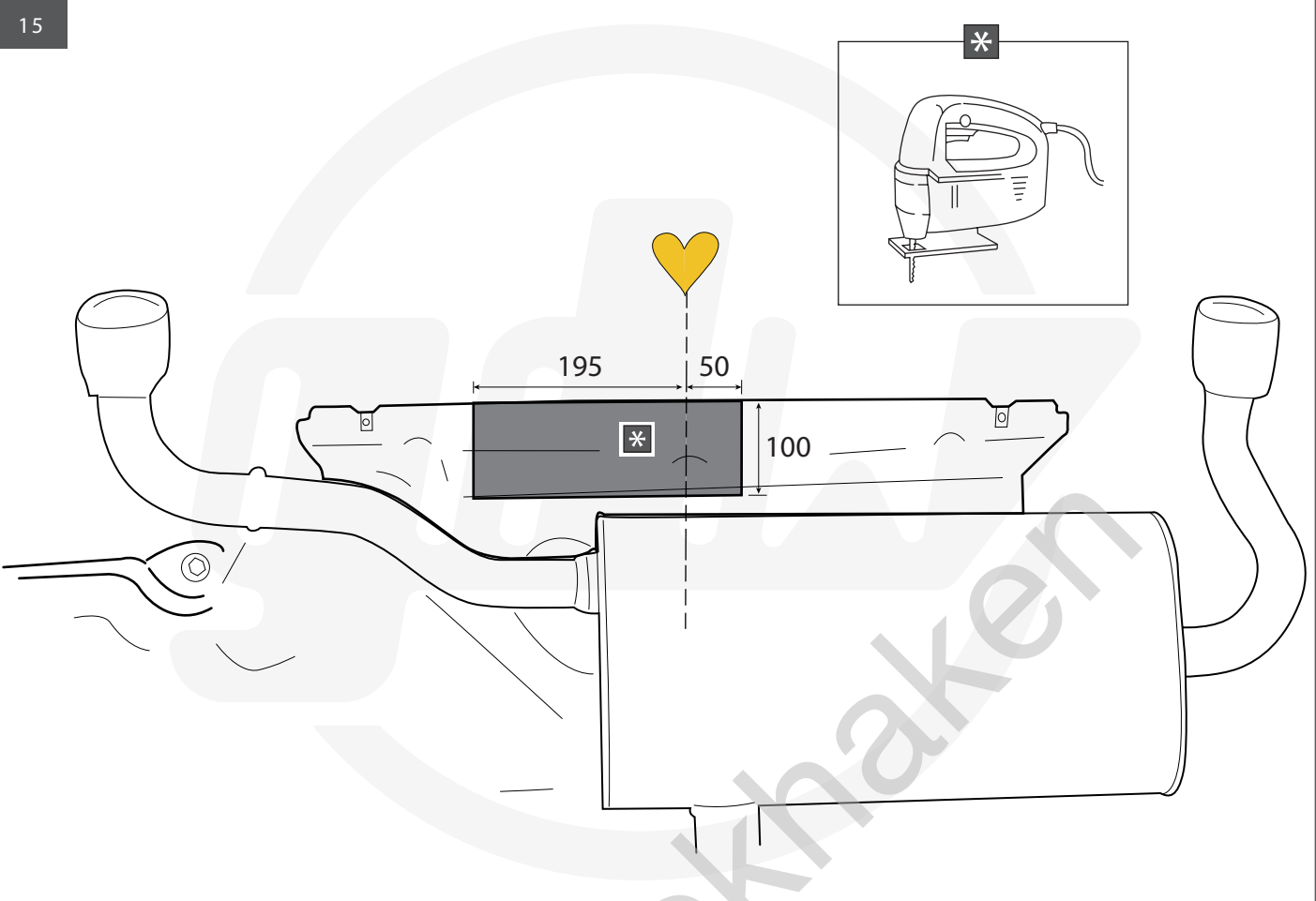
12

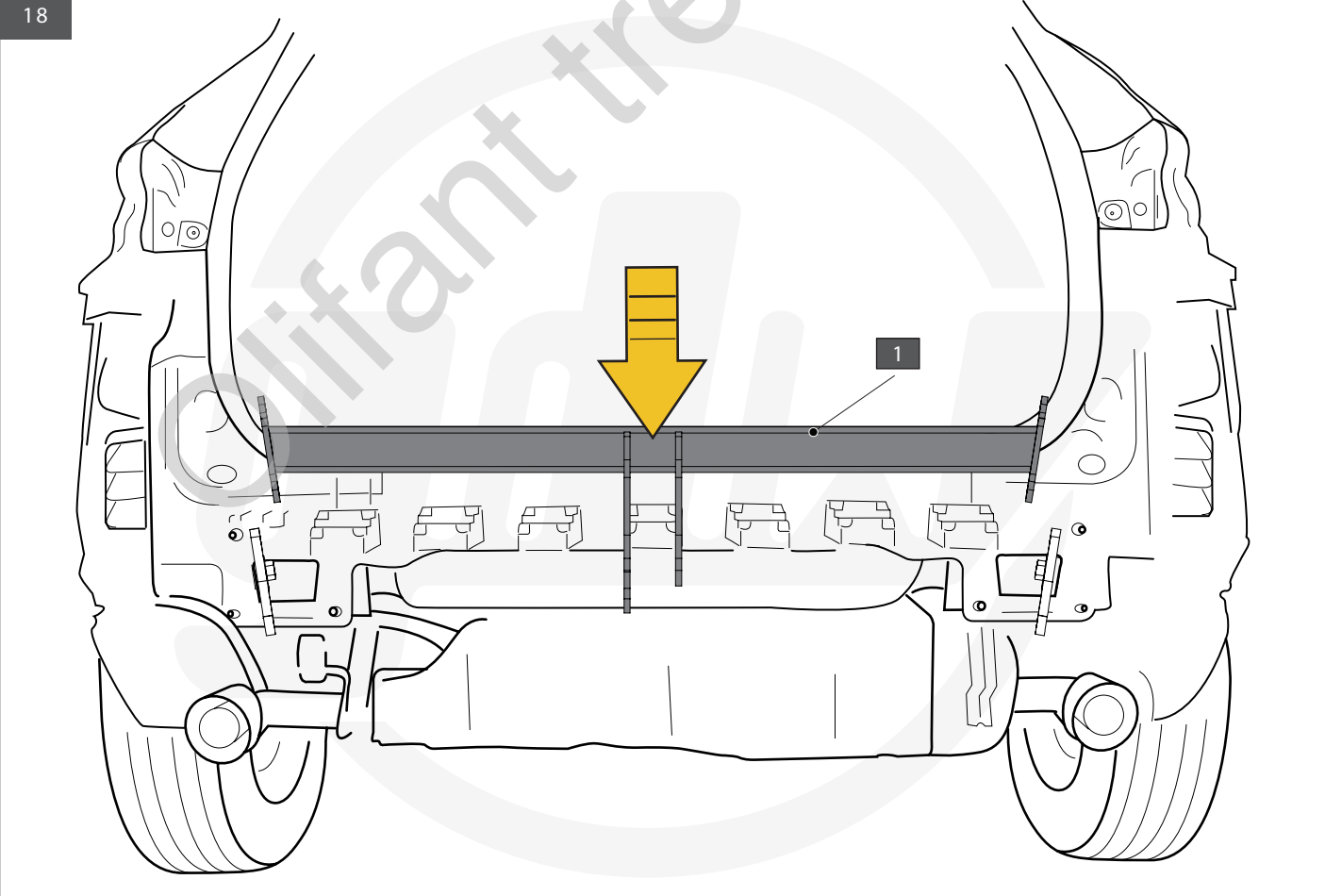
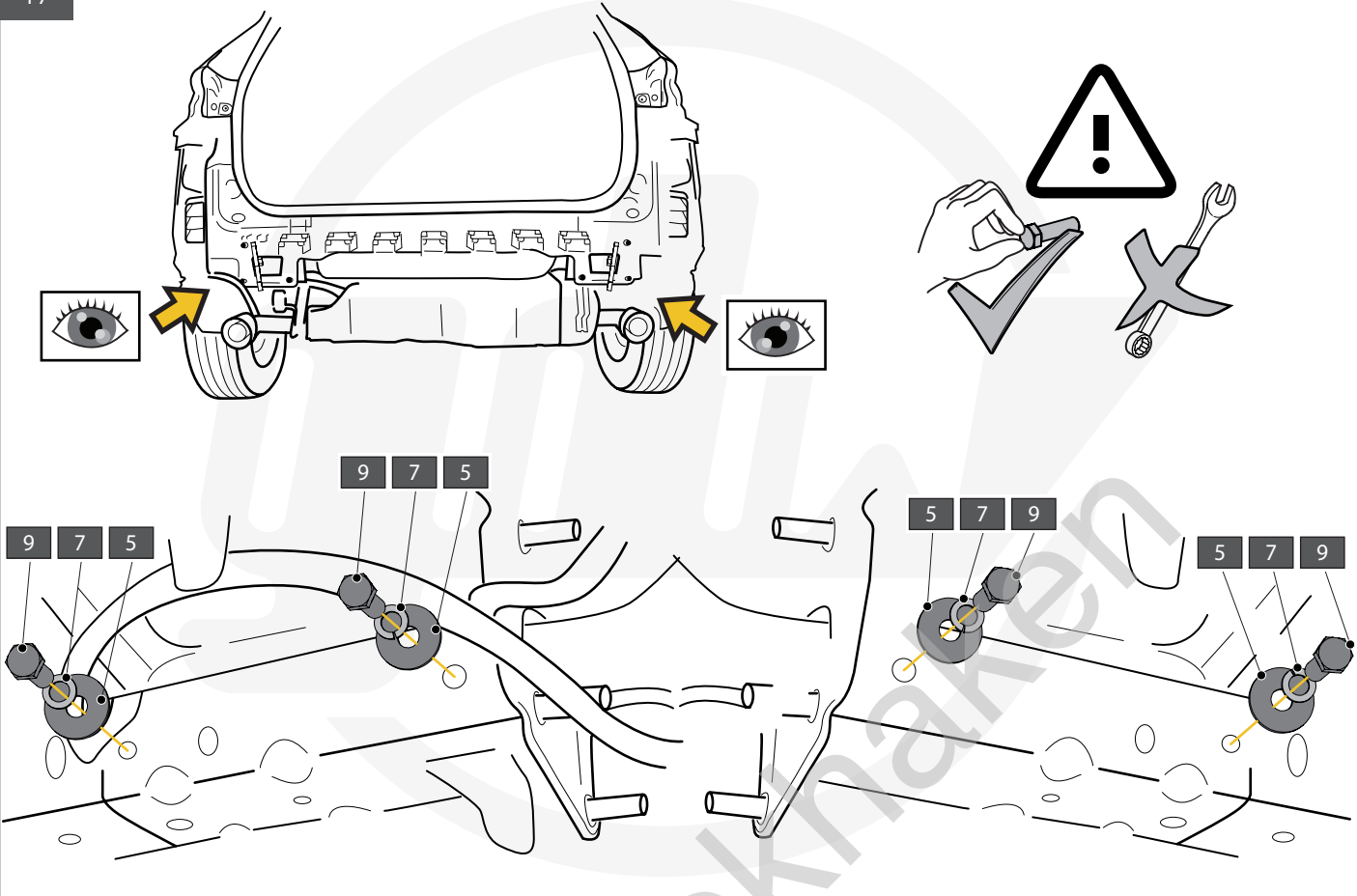
ONLY FOR AD BLUE



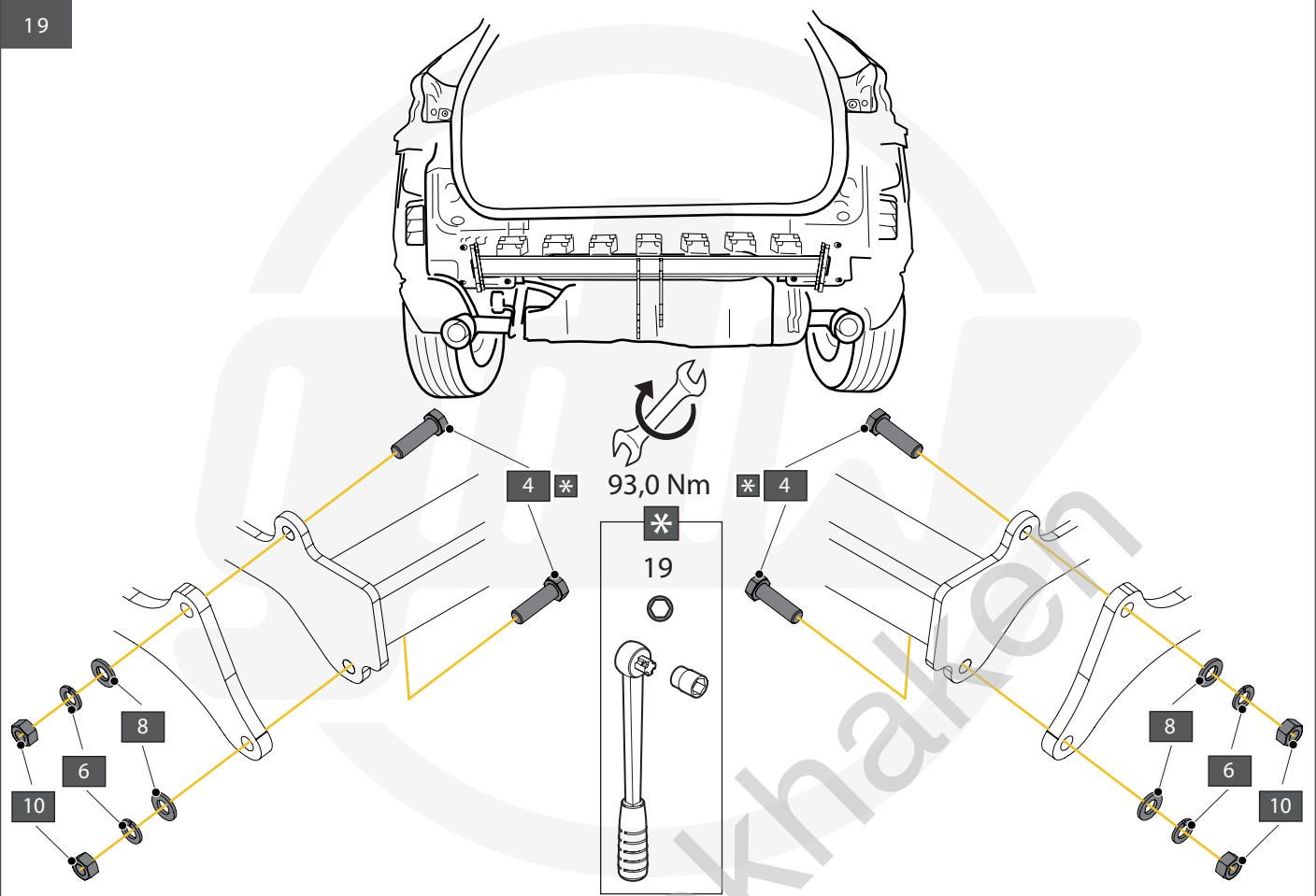
ONLY FOR AD BLUE



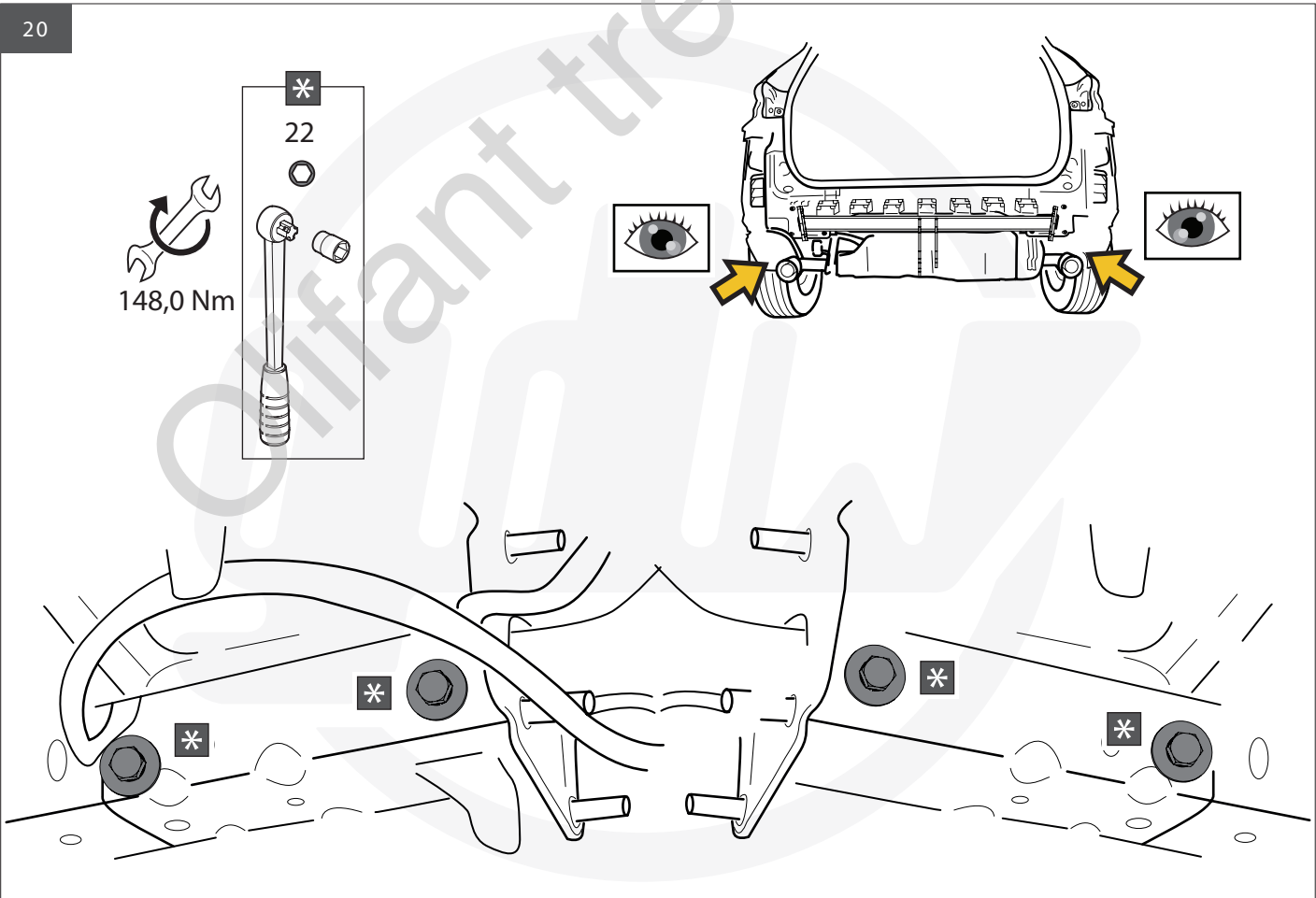


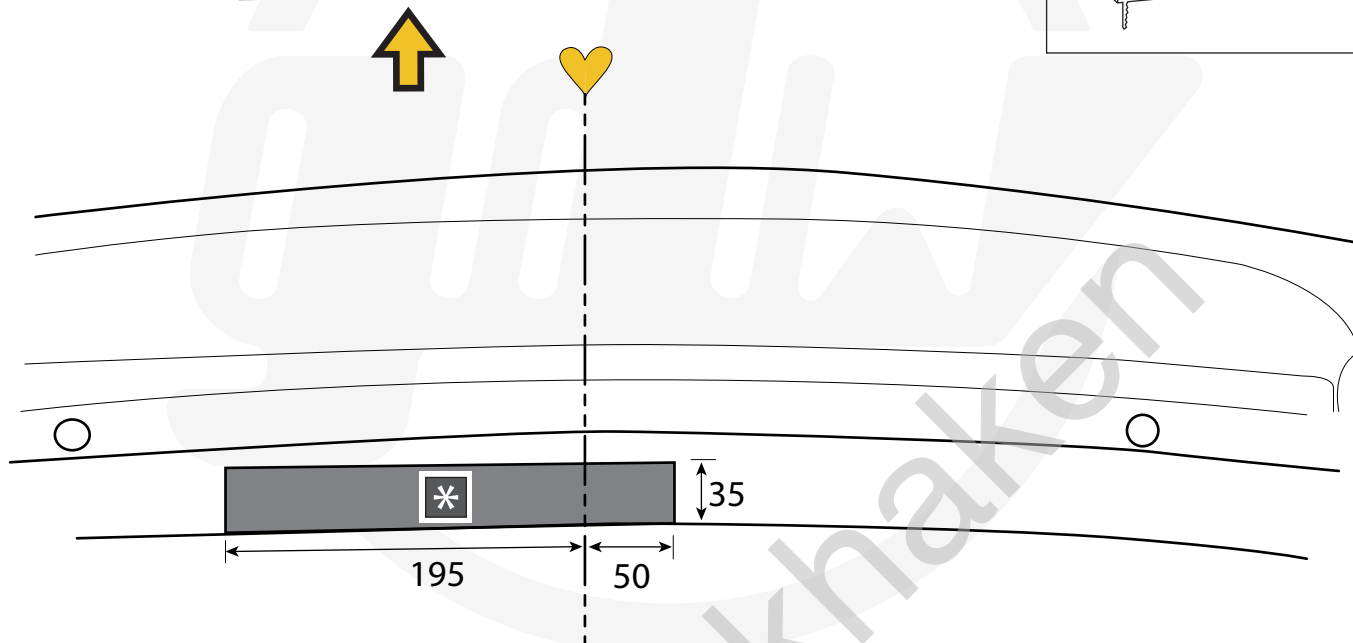
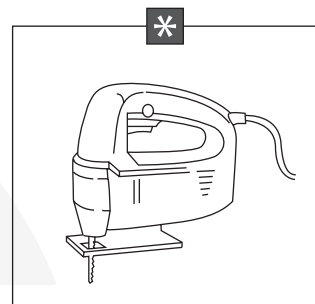
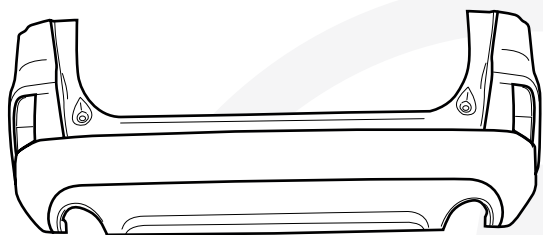


19

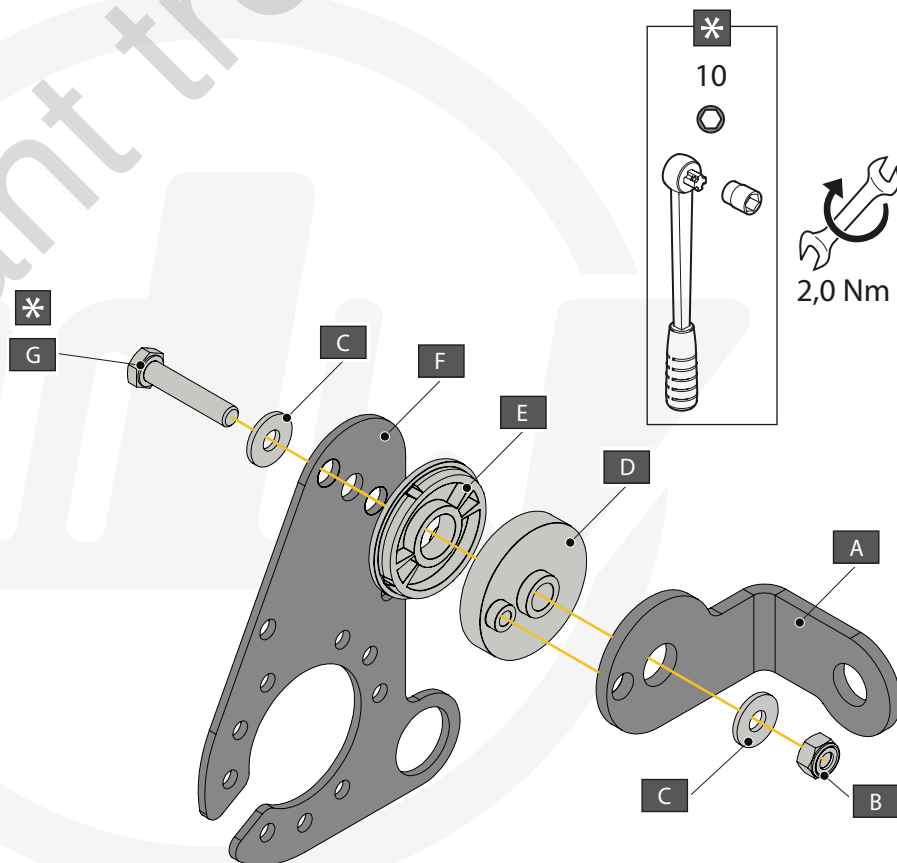


20

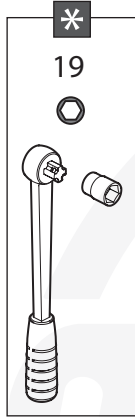




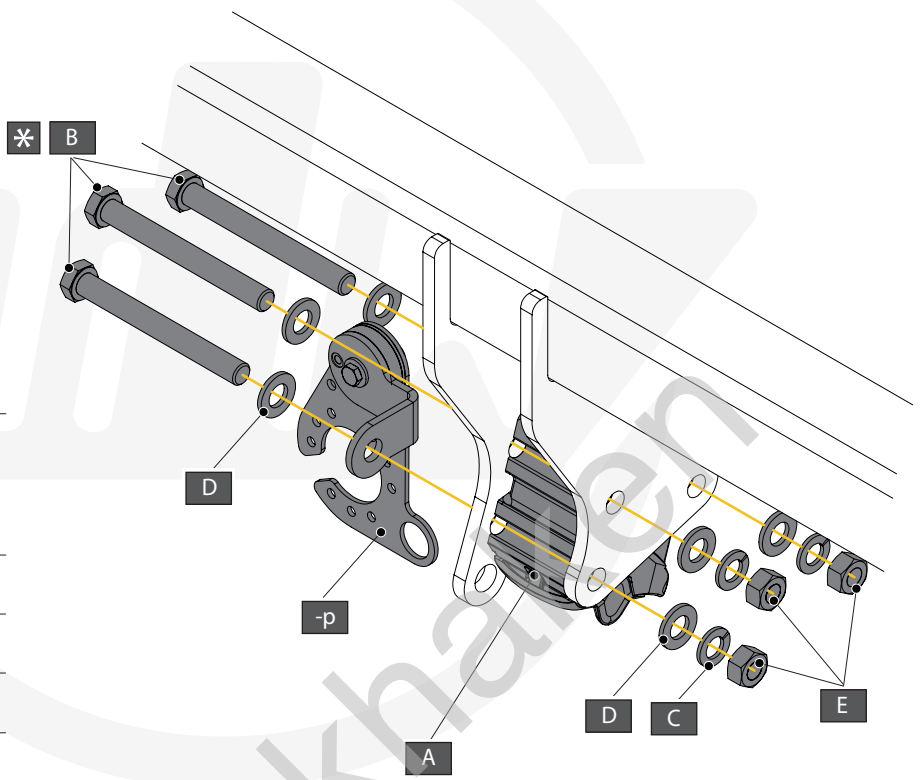
A		X1	GDW REF. 908.095
B		X1	DIN985-M6
C		X2	6,2 X 15,4 X 1,6 (NYLON)
D		X1	GDW REF. 718.16.002
E		X1	GDW REF. 718.16.003
F		X1	GDW REF. 908.094
G		X1	DIN933-M6 X 30



93,0 Nm



A		X1	GDW REF. 912.003
B		X3	DIN931-M12X110-8.8
C		X3	DIN128A-M12
D		X6	DIN125A-M12
E		X3	DIN934-M12



ONLY FOR AD BLUE

