

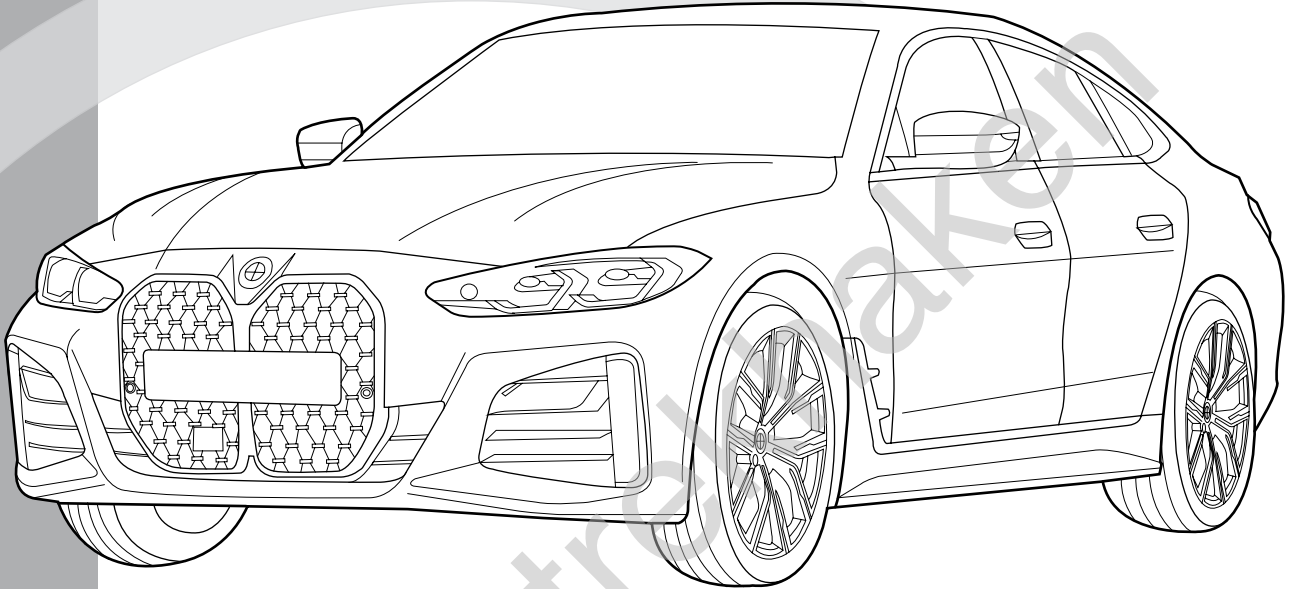


## BMW 4 Gran Coupe (G26)

07/'21-



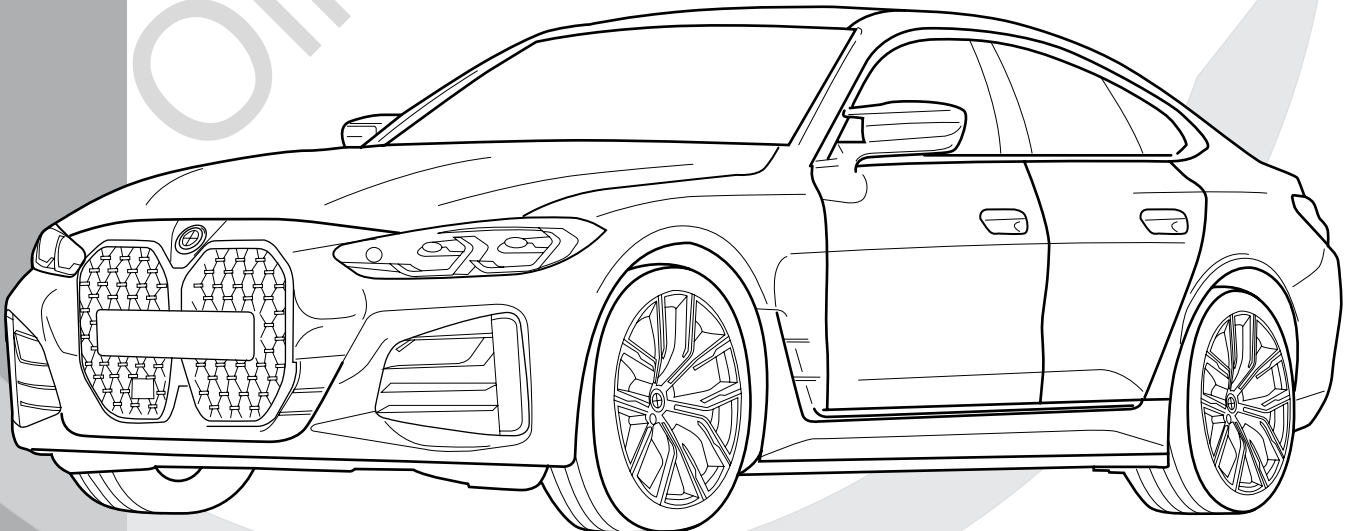
- ✓ STANDARD
  - ✓ M-SPORT PACKAGE
  - ✓ OPTION HANDSFREE TAILGATE
- ✗ M440i X-DRIVE

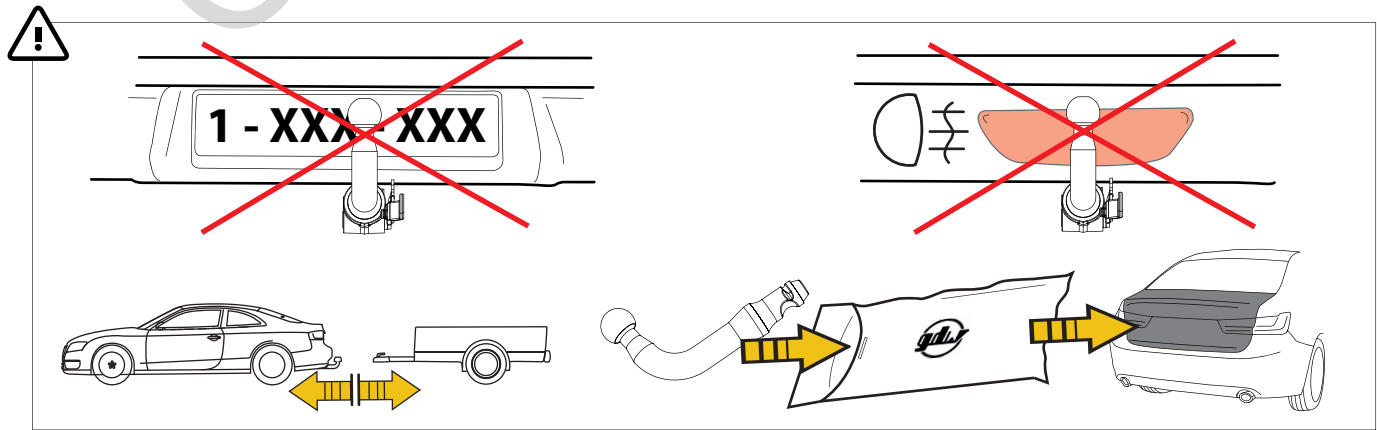
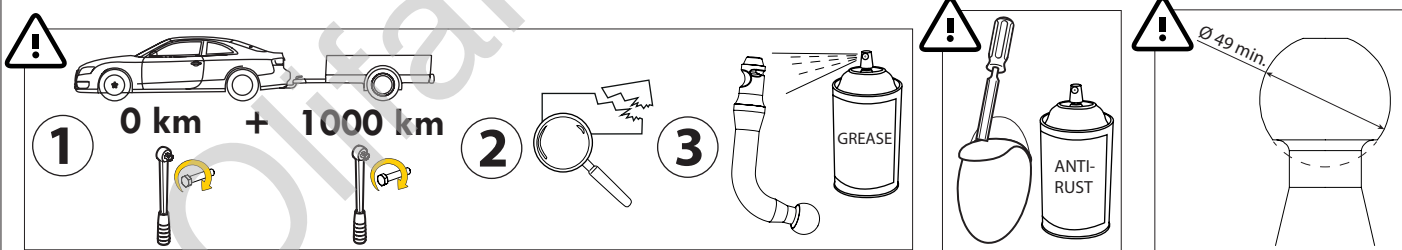
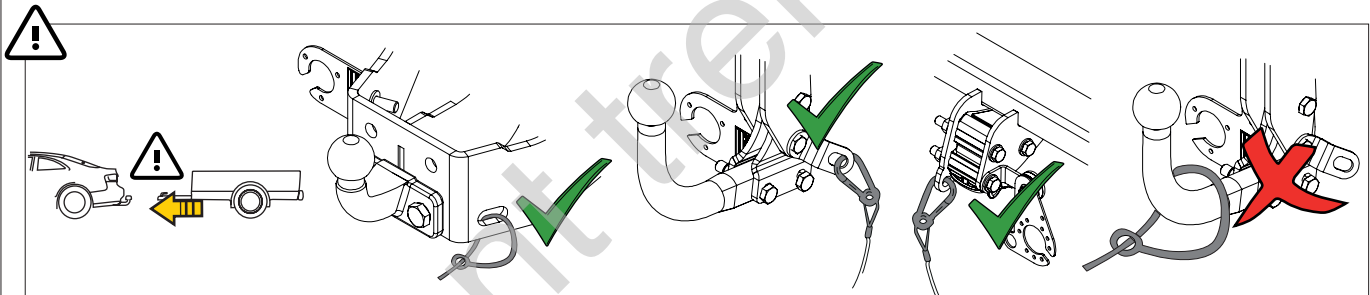
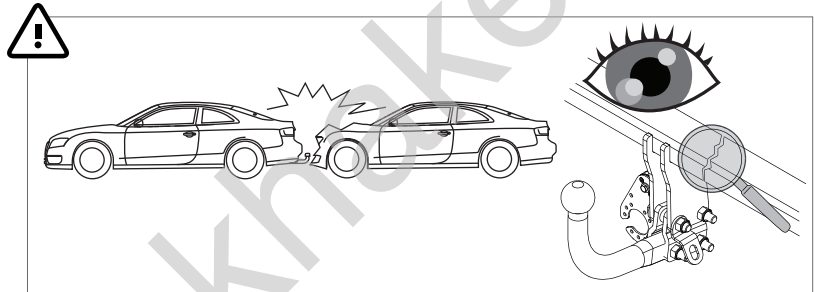
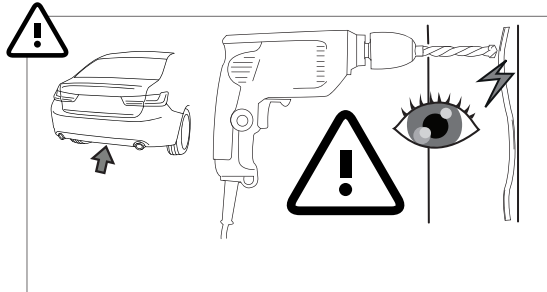
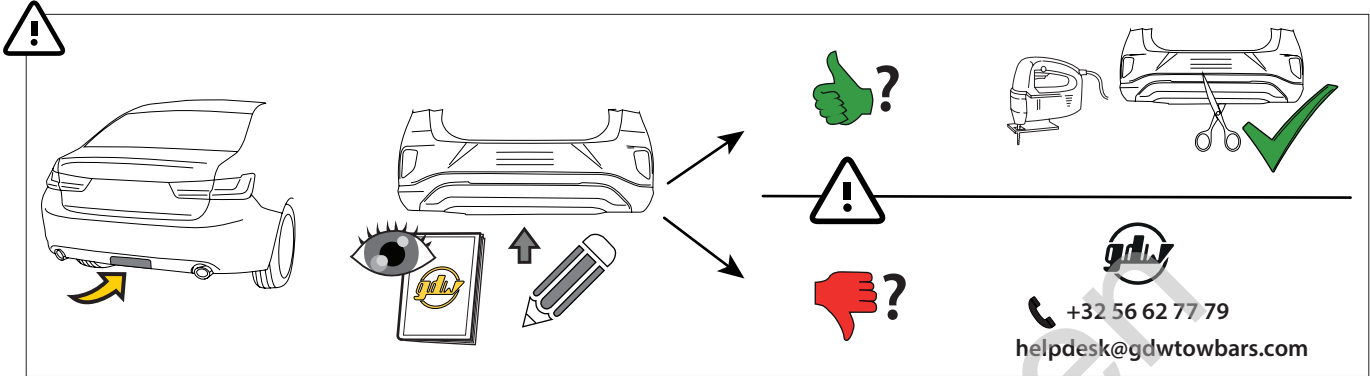
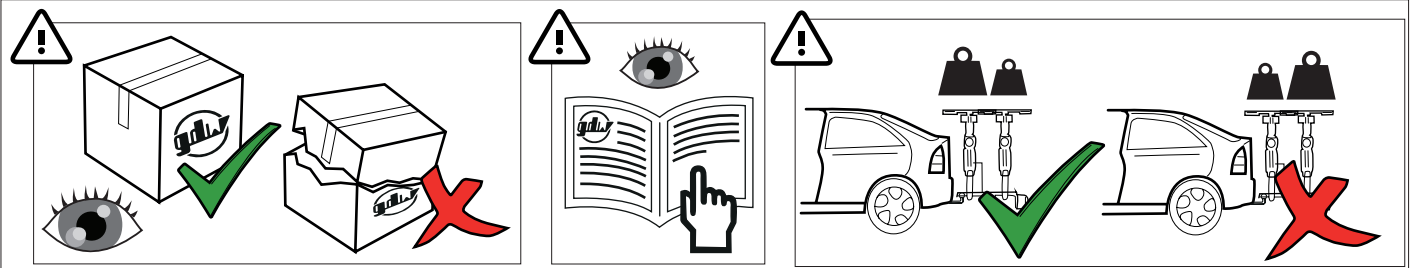


## BMW i4 (G26)

11/'21-

- ✓ M-SPORT PACKAGE
- ✓ OPTION HANDSFREE TAILGATE





MADE BY



**D 10,25**

**F**

**E6**

BELGIUM

**S 100**

EC-N°

55R-02 1710

REF N°

2634T60

SERIAL N°

XXXX

DESCRIPTION

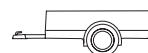
BMW 4 Gran Coupé + BMW i4



D =



max kg



max kg

X

X 0.00981 ≤ 10,25 kN



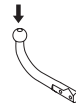
max kg

+

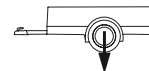


max kg

S =



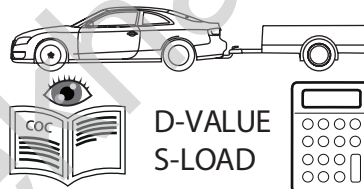
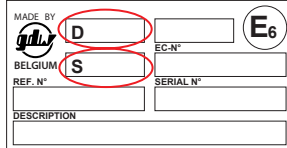
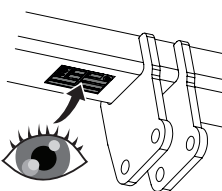
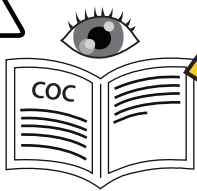
≤ 100 kg



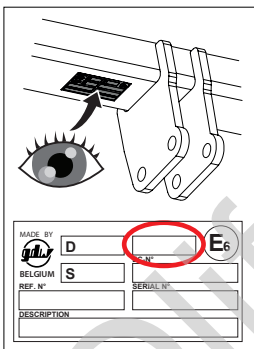
≤ 1850 kg



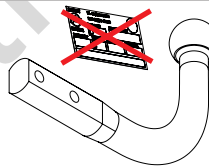
See the Certificate Of Conformity (COC) of your vehicle or contact your dealer to verify the max. trailer weight of your car!



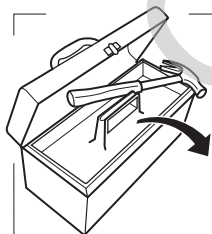
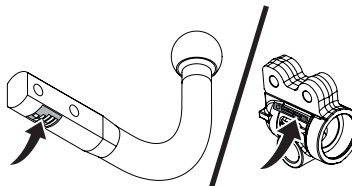
D-VALUE  
S-LOAD



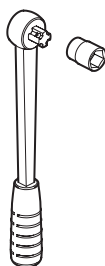
A50-X?



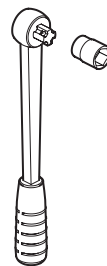
F?



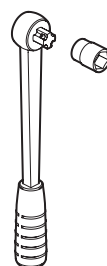
10



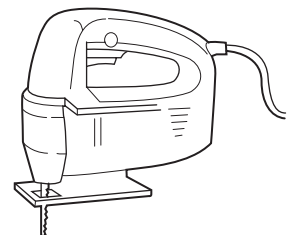
13

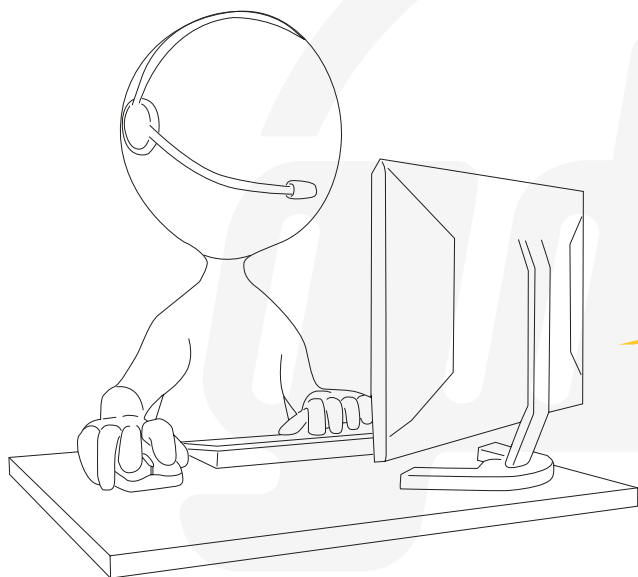


19



TX20

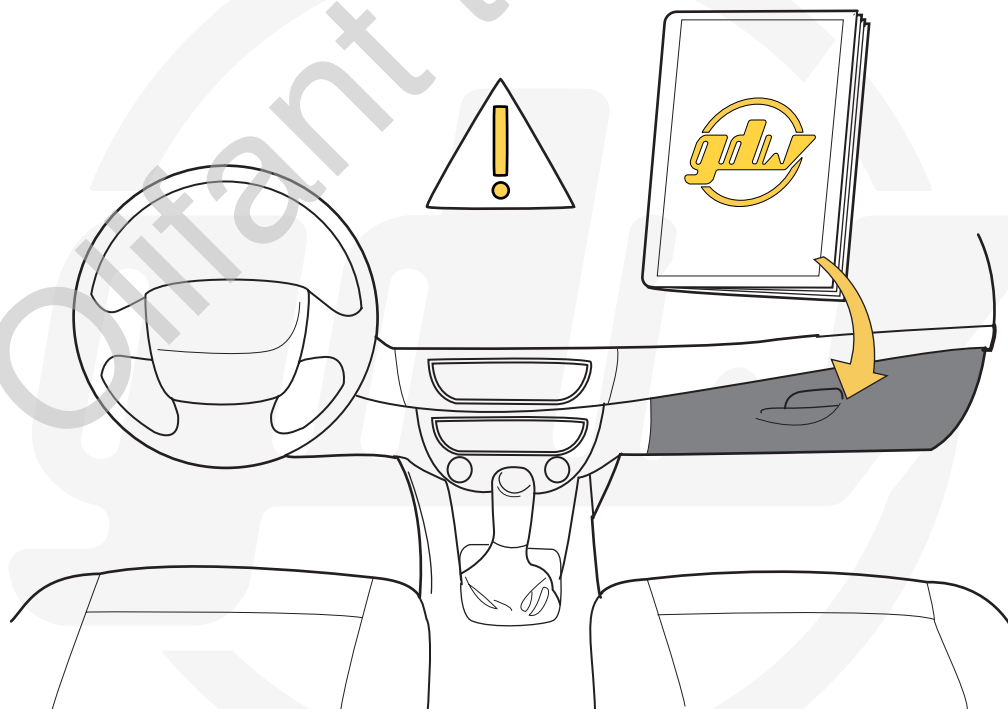


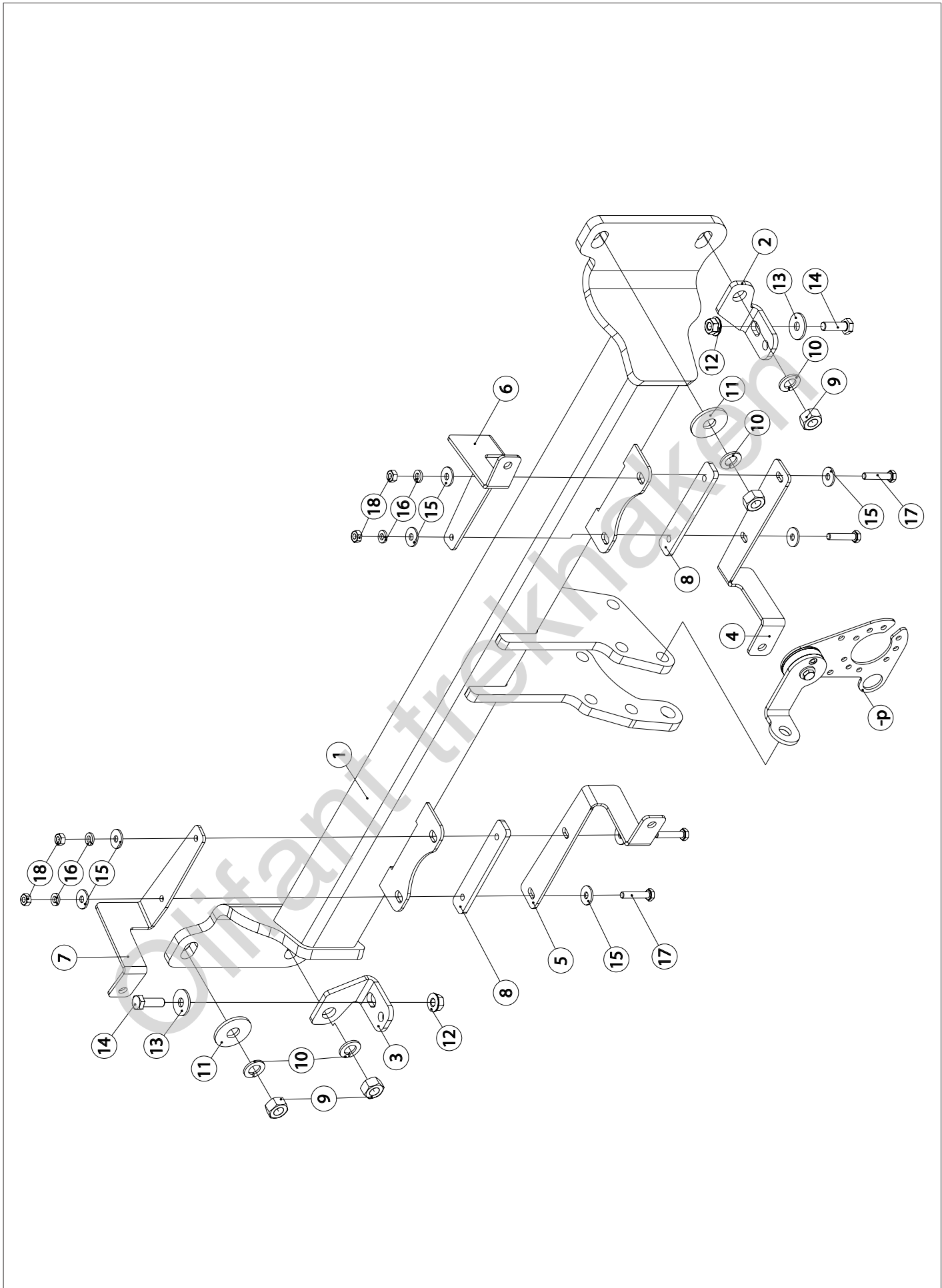


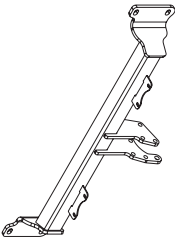



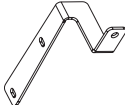


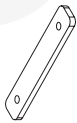

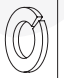
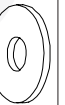



**helpdesk@gdwtowbars.com**





**+32 56 62 77 79**

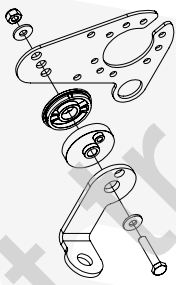




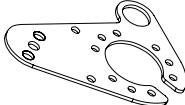


Monday	08:00 - 12:00	12:30 - 16:30
Tuesday	08:00 - 12:00	12:30 - 16:30
Wednesday	08:00 - 12:00	12:30 - 16:30
Thursday	08:00 - 12:00	12:30 - 16:30
Friday	08:00 - 12:00	12:30 - 15:30

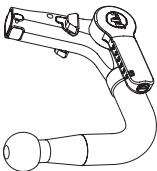

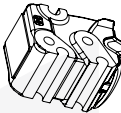






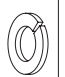
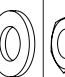





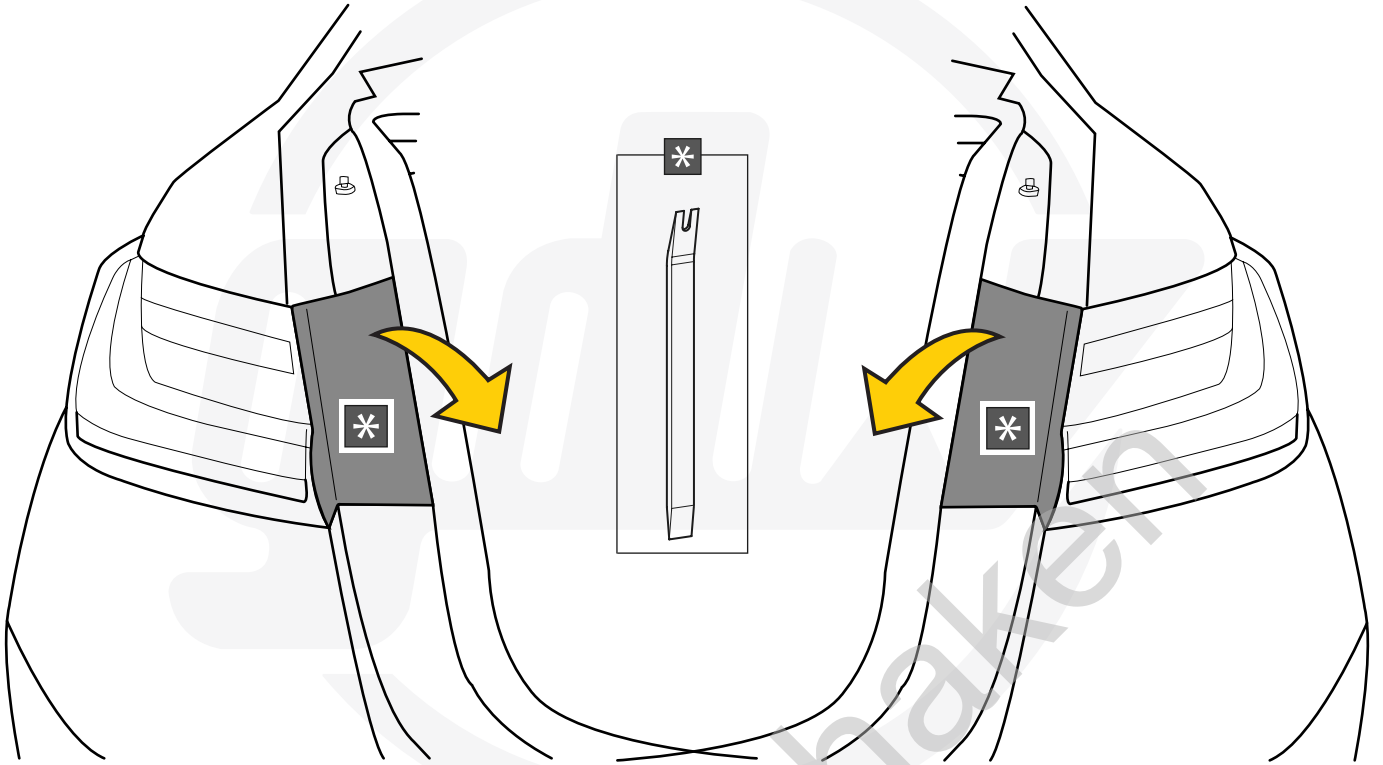
1		X1	GDW REF. 2634T60
2		X2	GDW REF. 2
3		X1	GDW REF. 3
4		X1	GDW REF. 4
5		X1	GDW REF. 5
6		X1	GDW REF. 6
7		X1	GDW REF. 7
8		X2	GDW REF. 8
9		X4	DIN934-M12X1,5
10		X4	DIN128A-M12
11		X4	DIN9021-M12-ELVZ
12		X2	DIN6923-M8
13		X2	DIN9021-M8-ELVZ
14		X2	DIN933-M8X25

15		X8	DIN9021-M6-ELVZ
16		X4	DIN128A-M6
17		X4	DIN933-M6X30
18		X4	DIN934-M6

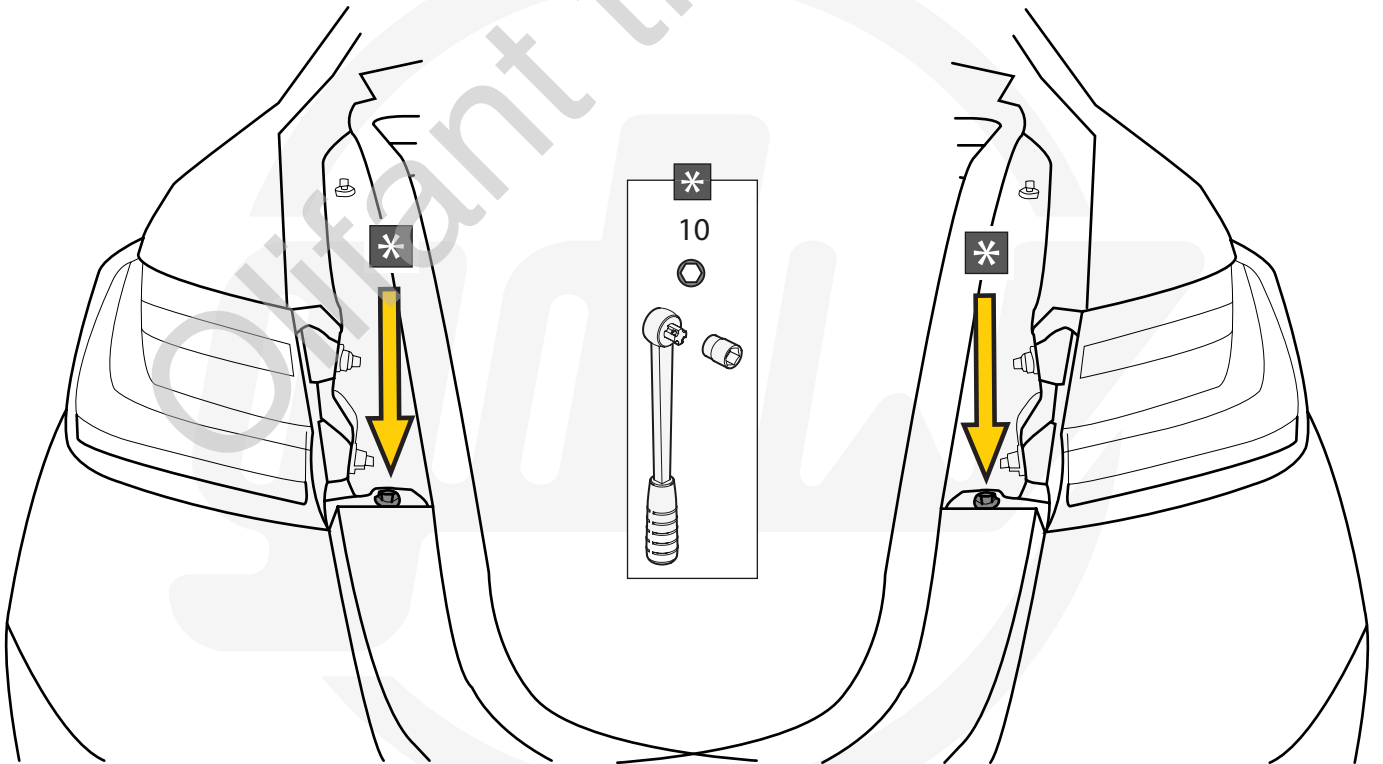
19		X1	GDW REF. P46
20		X1	DIN985-M6
21		X2	6,2 X 15,4 X 1,6 (NYLON)
22		X1	GDW REF. 718.16.002
23		X1	GDW REF. 718.16.003
24		X1	GDW REF. 908.094
25		X1	DIN933-M6 X 30
26		X1	GDW REF. 908.101

Geleverd met - Livré avec - Delivered with Geliefert mit - Elementos adjuntos-Leveres med		X1	GDW REF. 960.V0812
		X1	GDW REF. 740.200
		X1	GDW REF. 912.003
		X1	GDW REF. 740.112
		X1	GDW REF. 740.111
		X1	GDW REF. 740.12X X=LAST NUMBER ON KEY
		X1	GDW REF. 718.15.001
		X1	GDW REF. SYST60-10
		X3	DIN931-M12X110-8.8
		X3	DIN128A-M12
		X6	DIN125A-M12
		X3	DIN934-M12

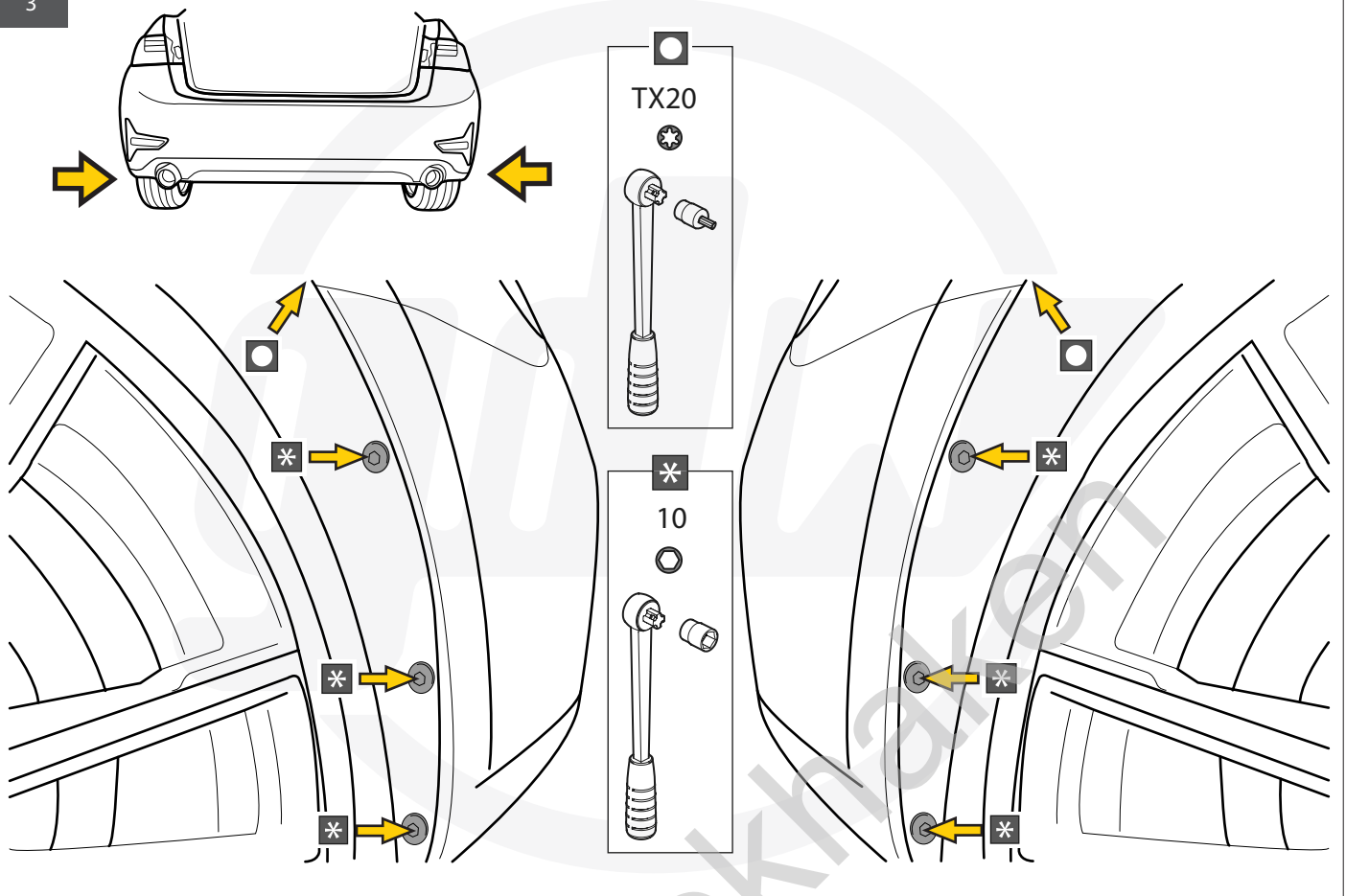
1



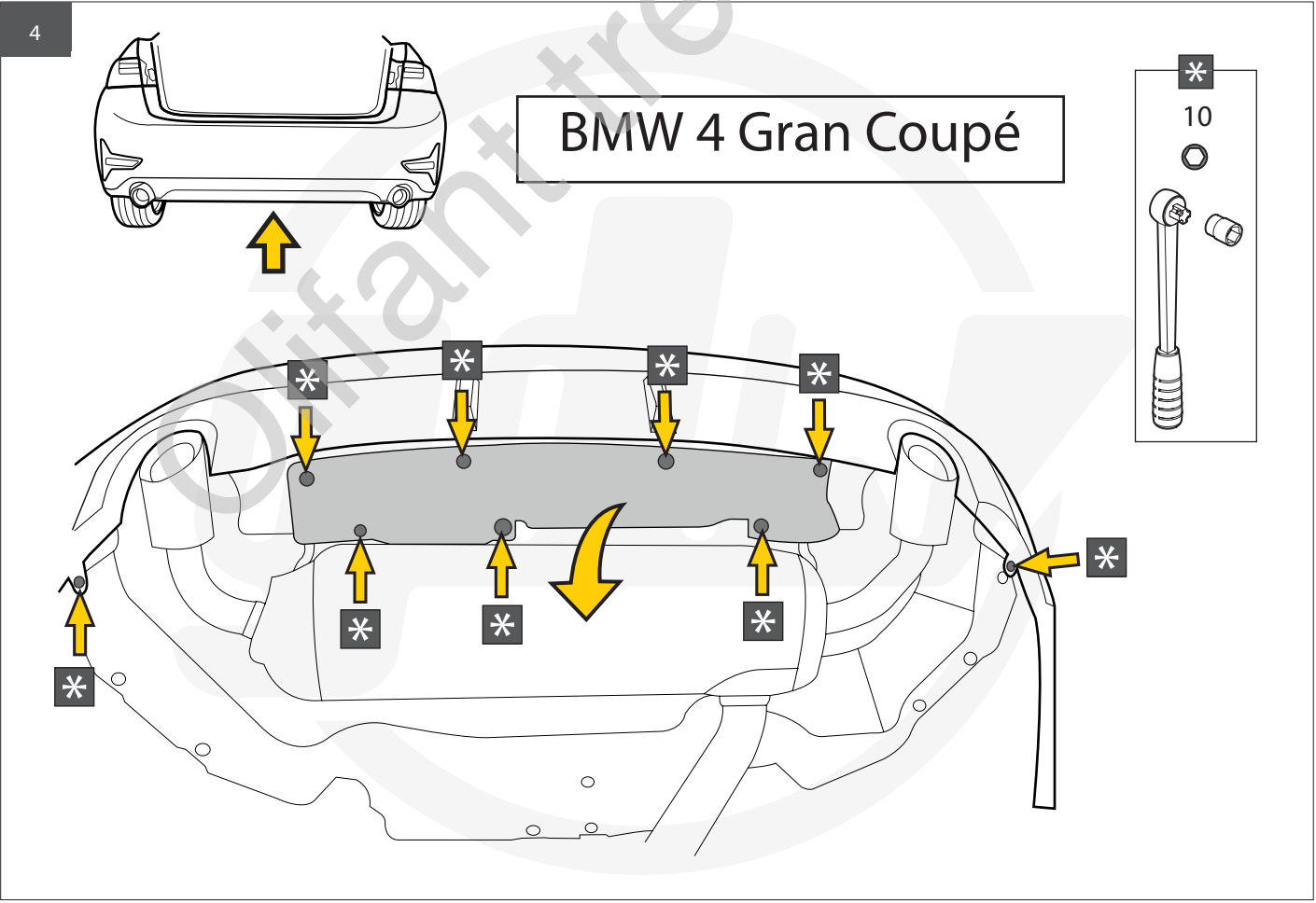
2



3



4



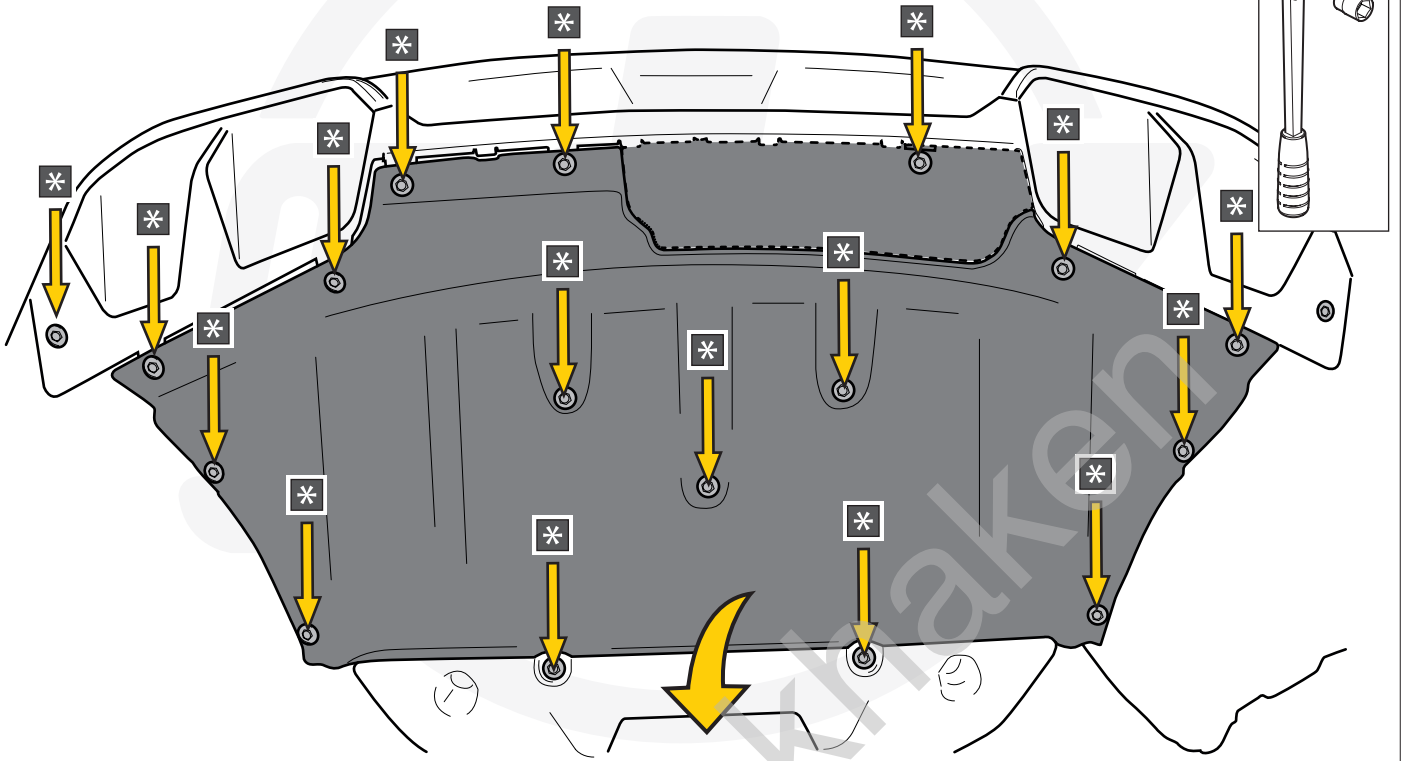


5

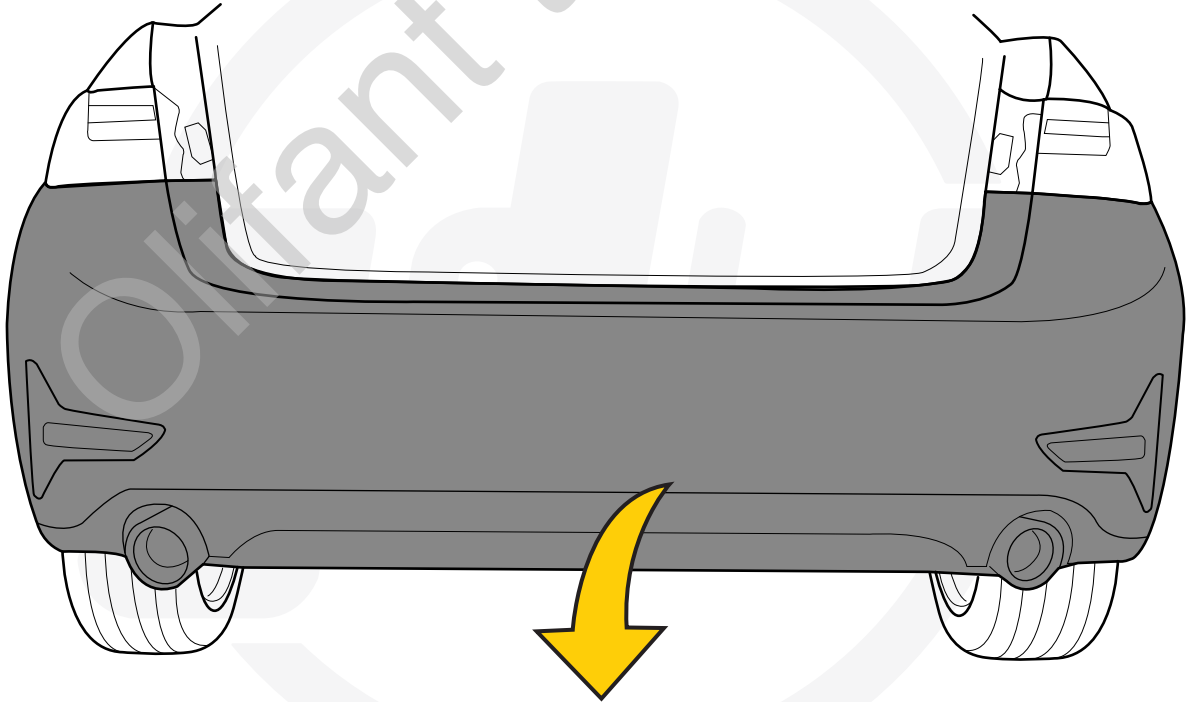
# BMW i4

\*

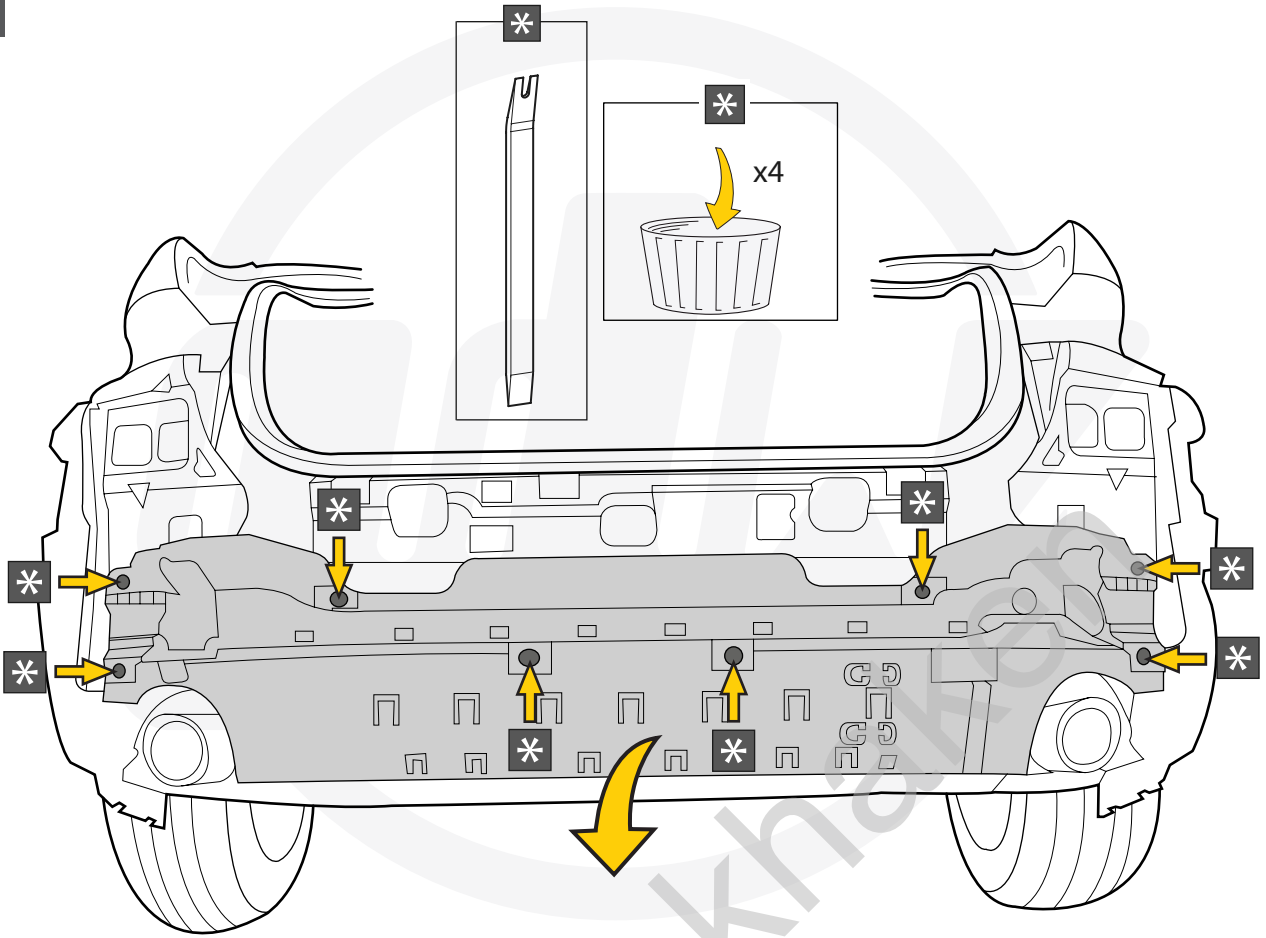
10



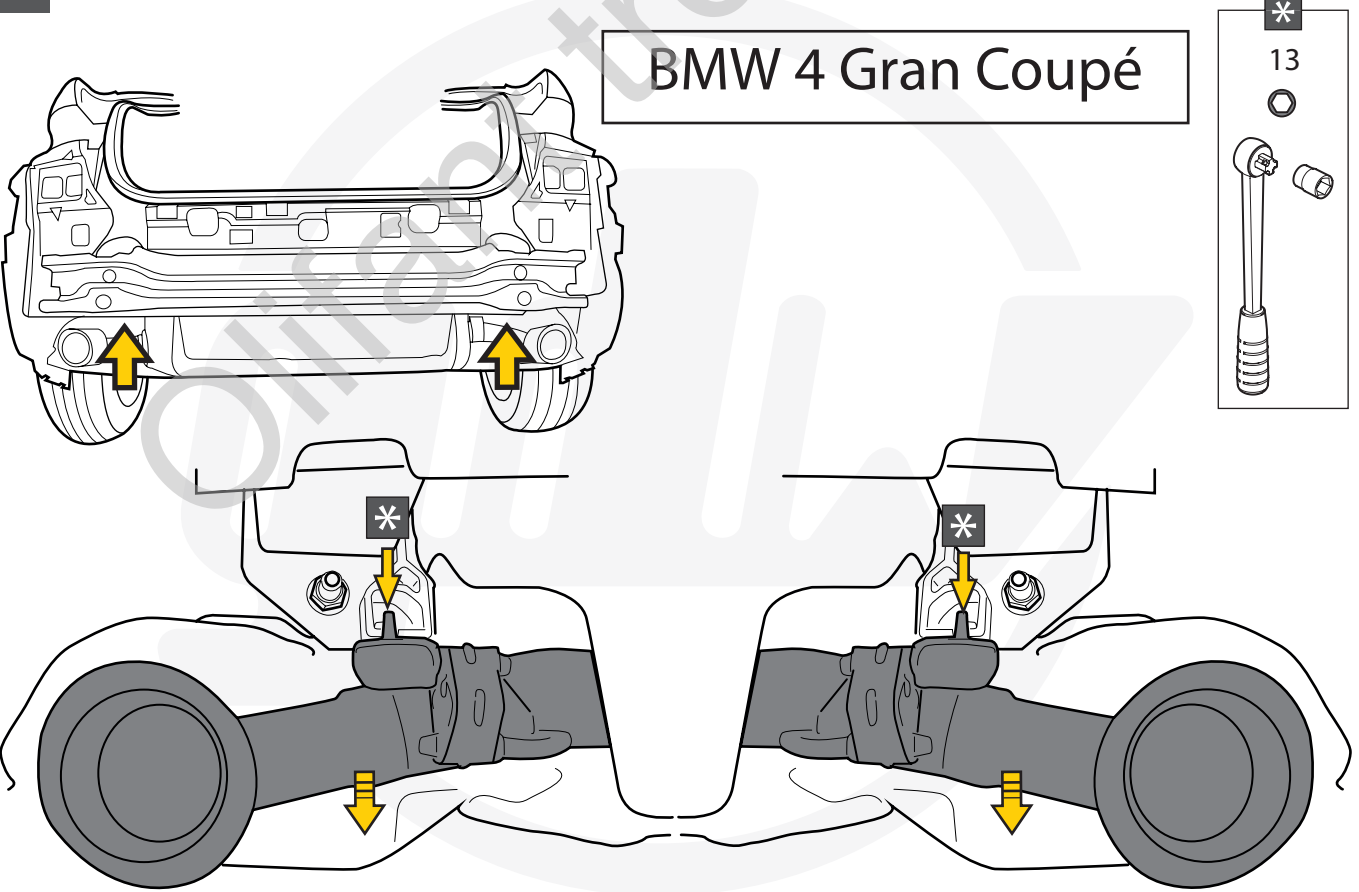
6

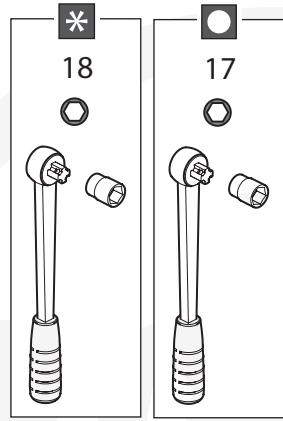


7



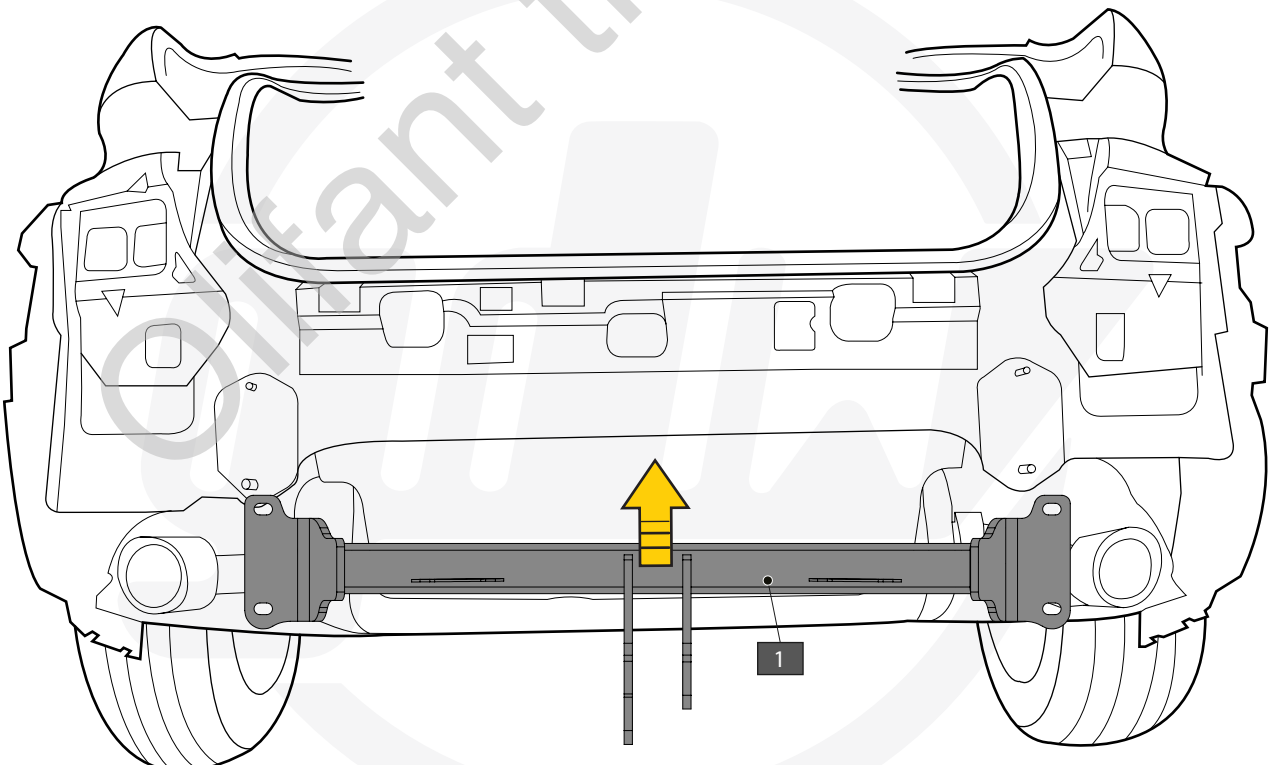
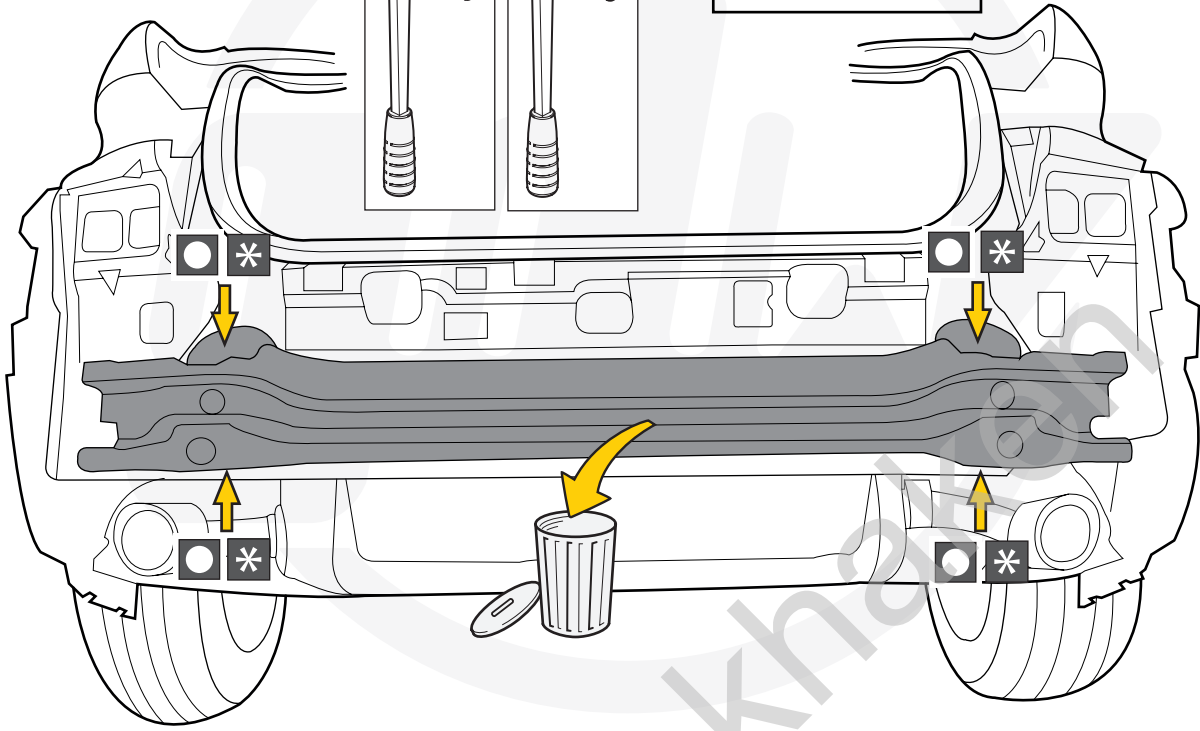
8



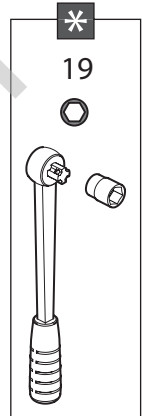
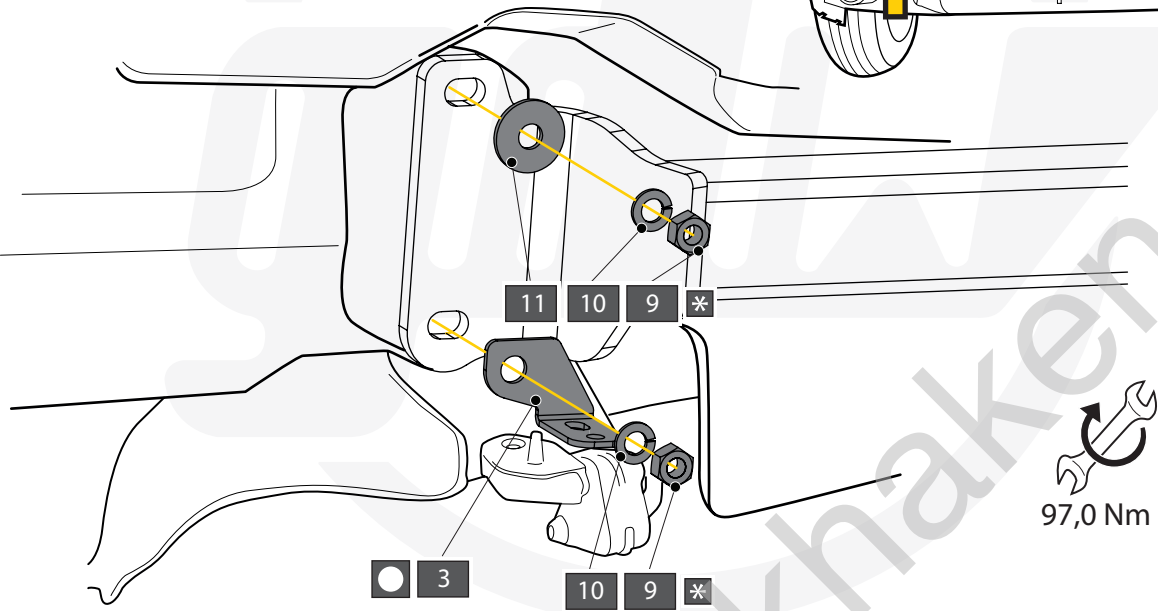
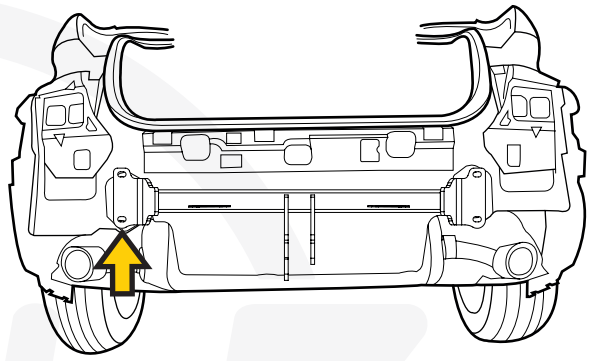


\* BMW 4 Gran Coupé

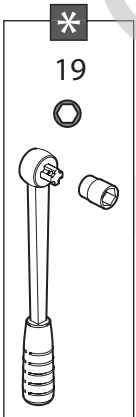
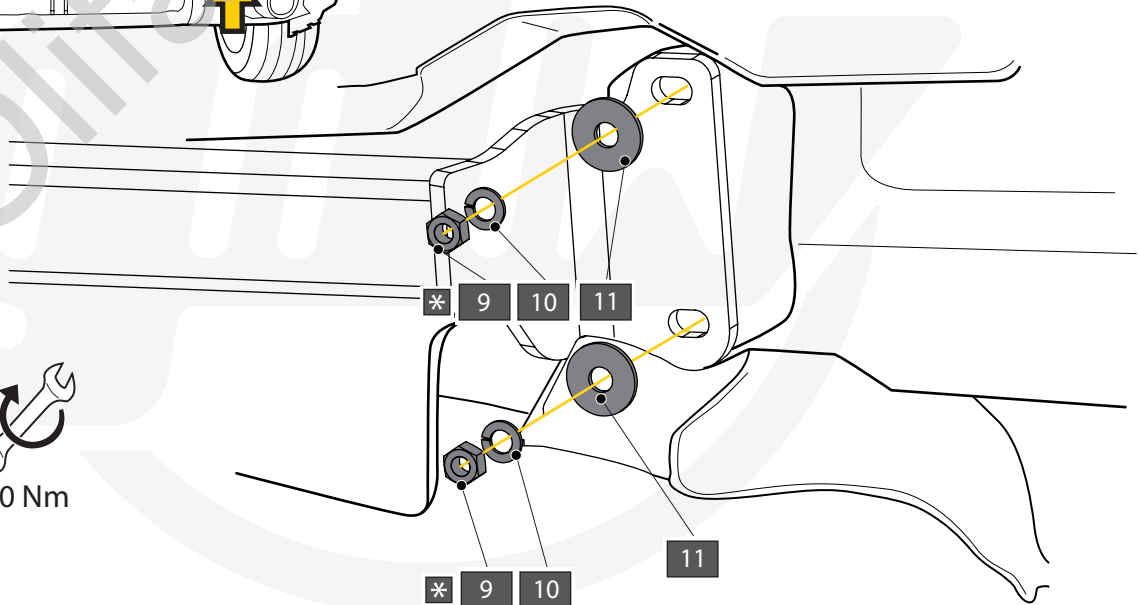
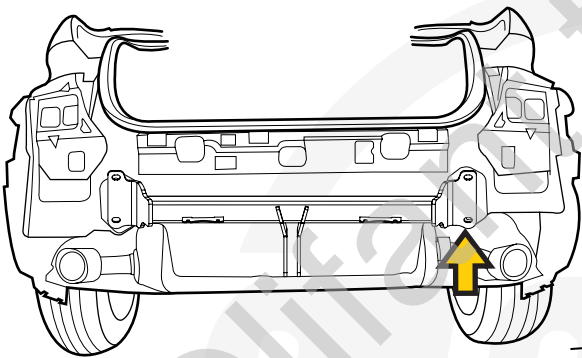
◻ BMW i4



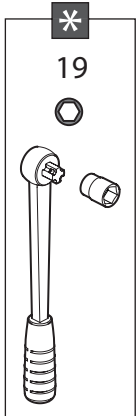
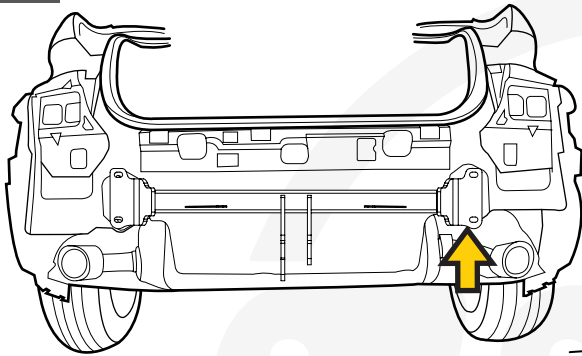
**ONLY BMW 4 Gran Coupé**



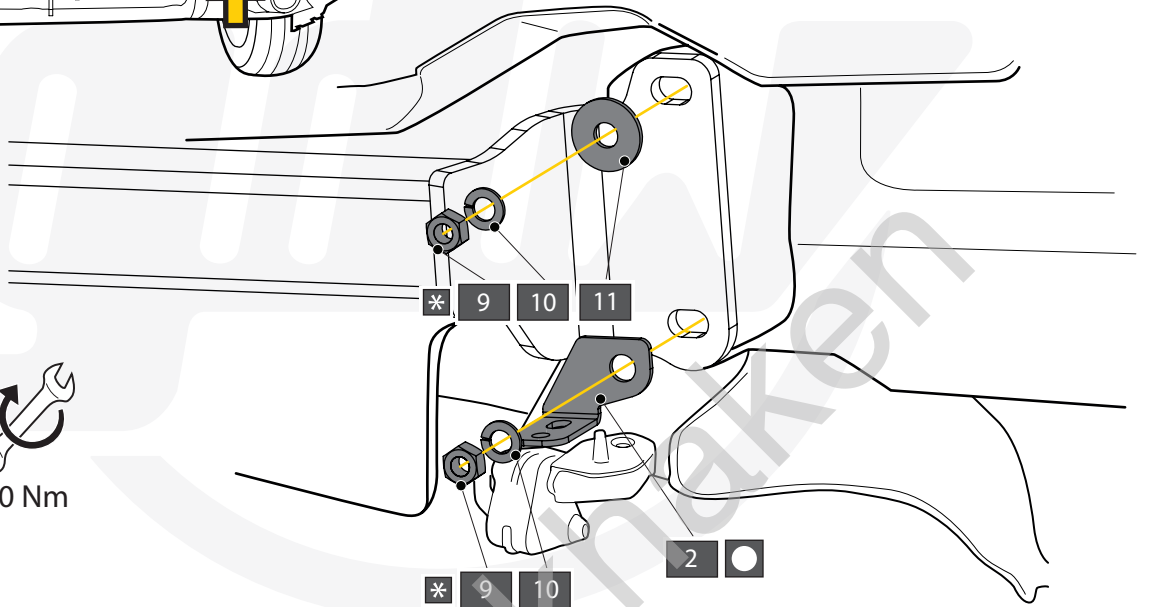
**ONLY I4**



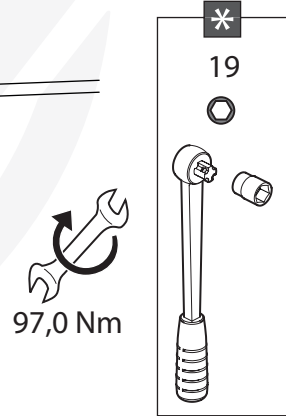
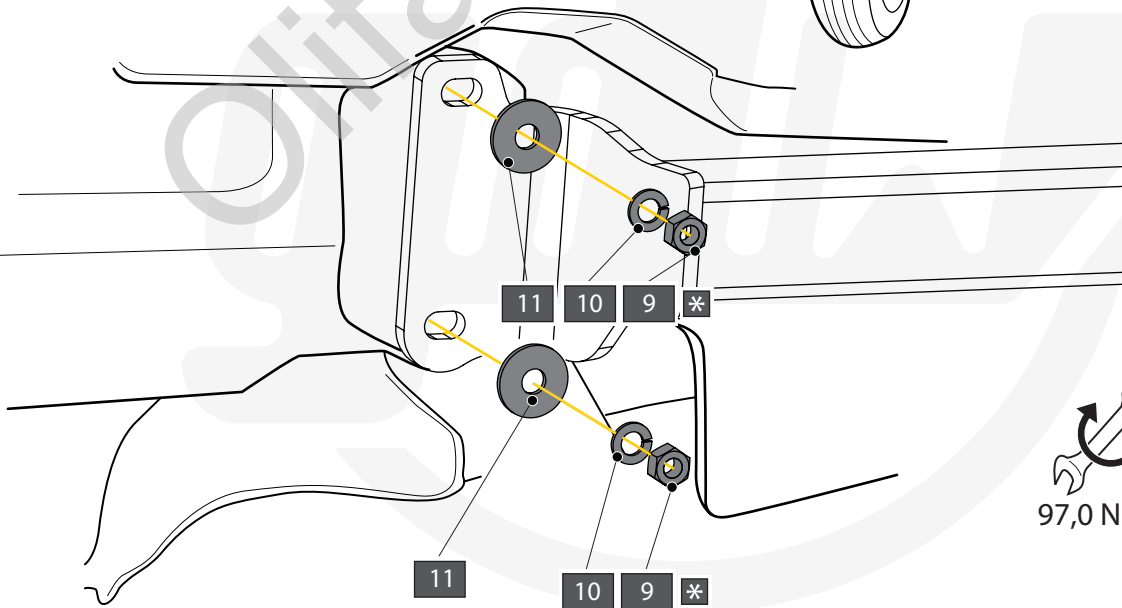
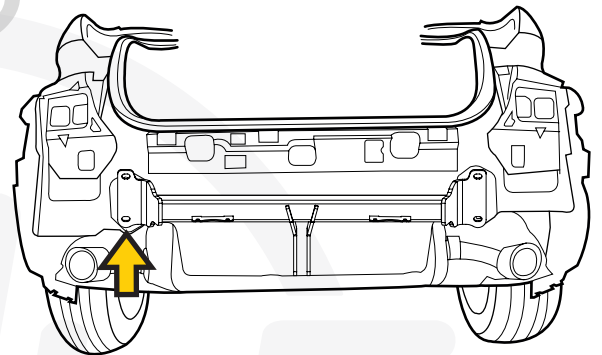
ONLY BMW 4 Gran Coupé



97,0 Nm

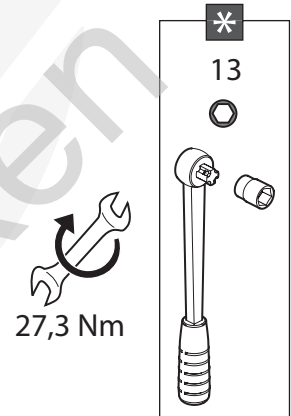
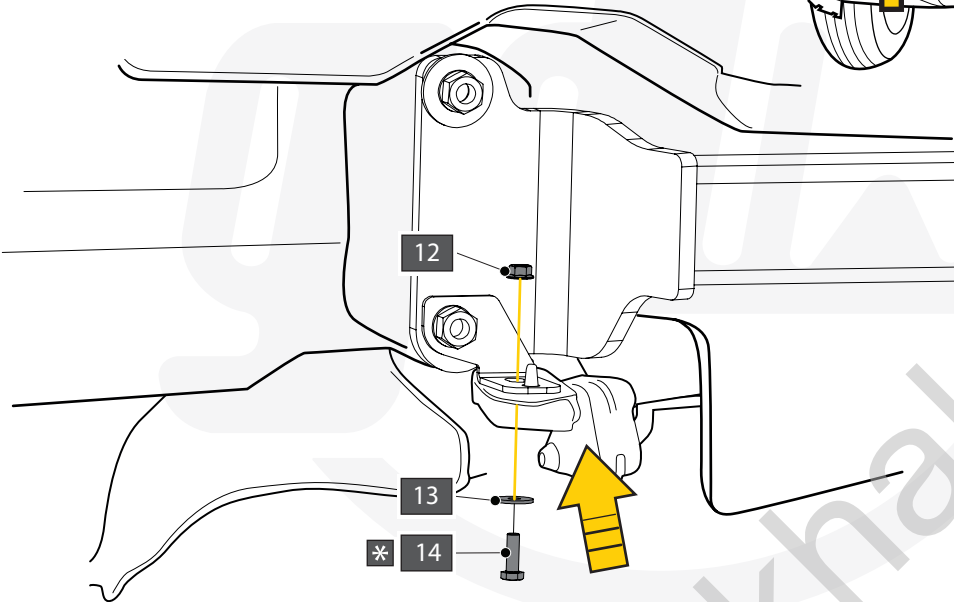
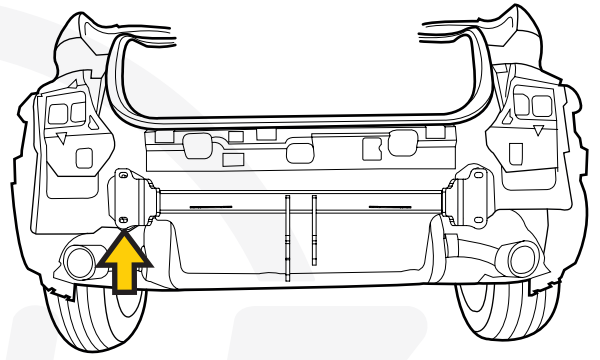


ONLY I4



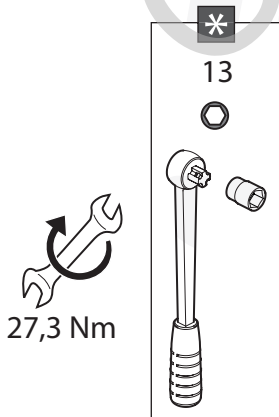
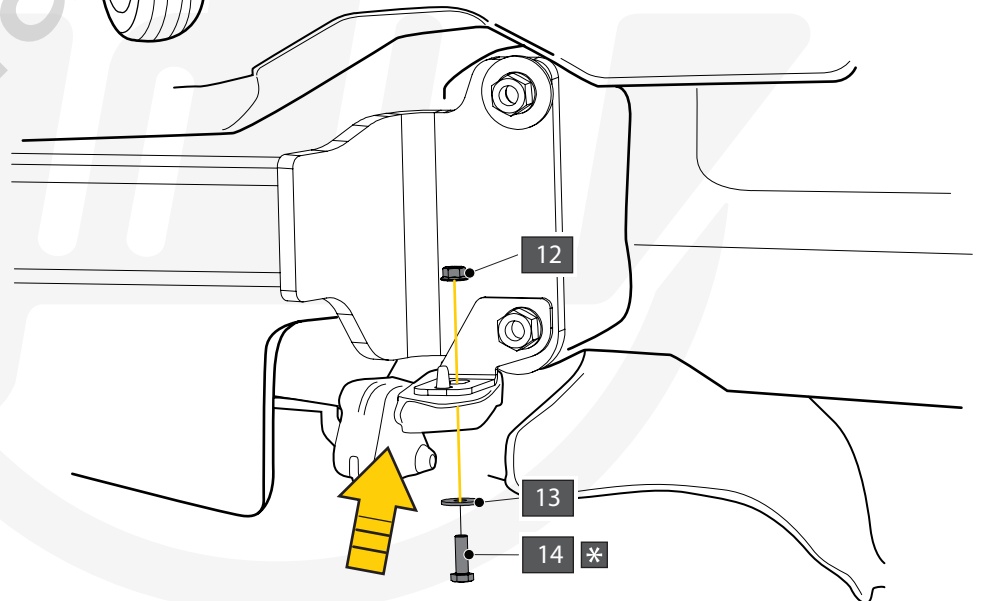
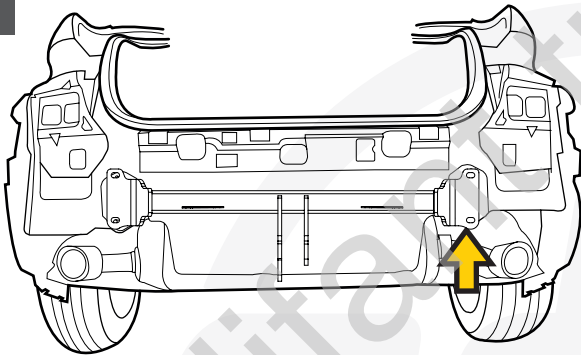
97,0 Nm

# BMW 4 Gran Coupé



27,3 Nm

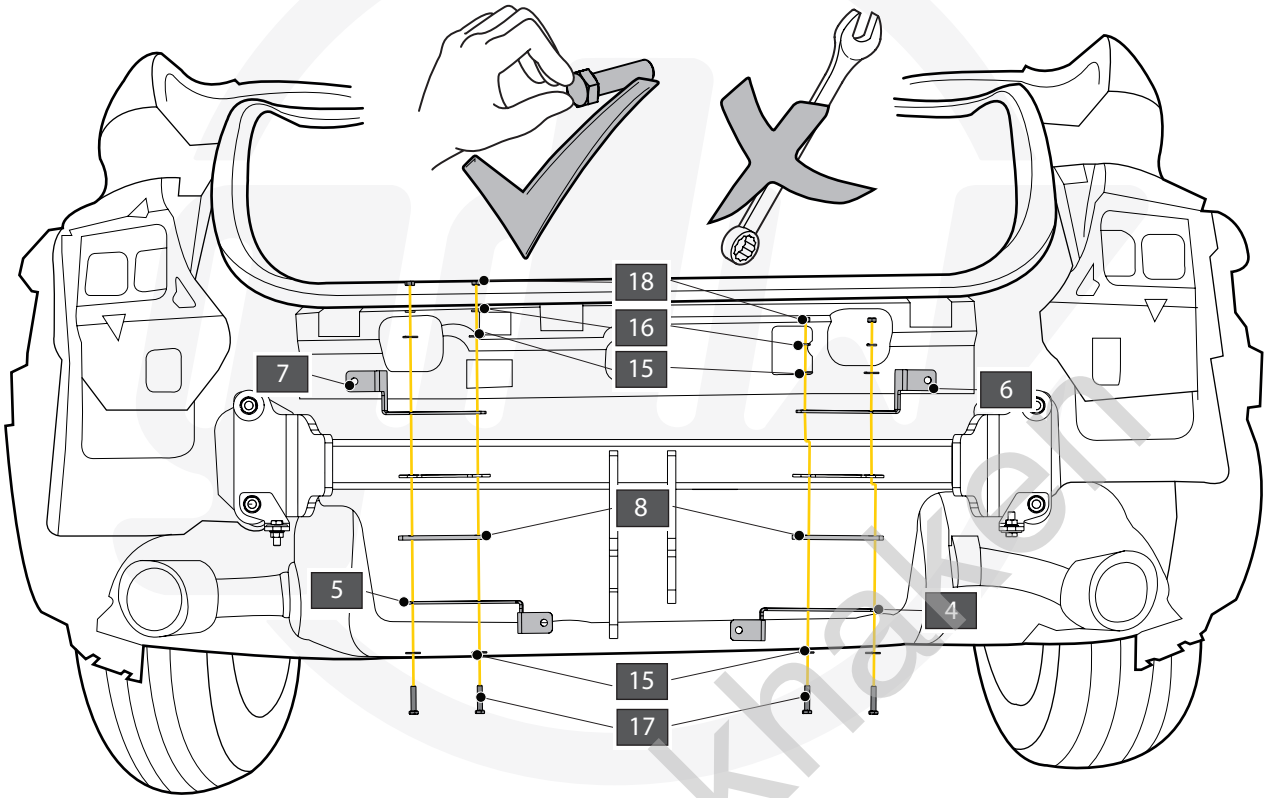
# BMW 4 Gran Coupé



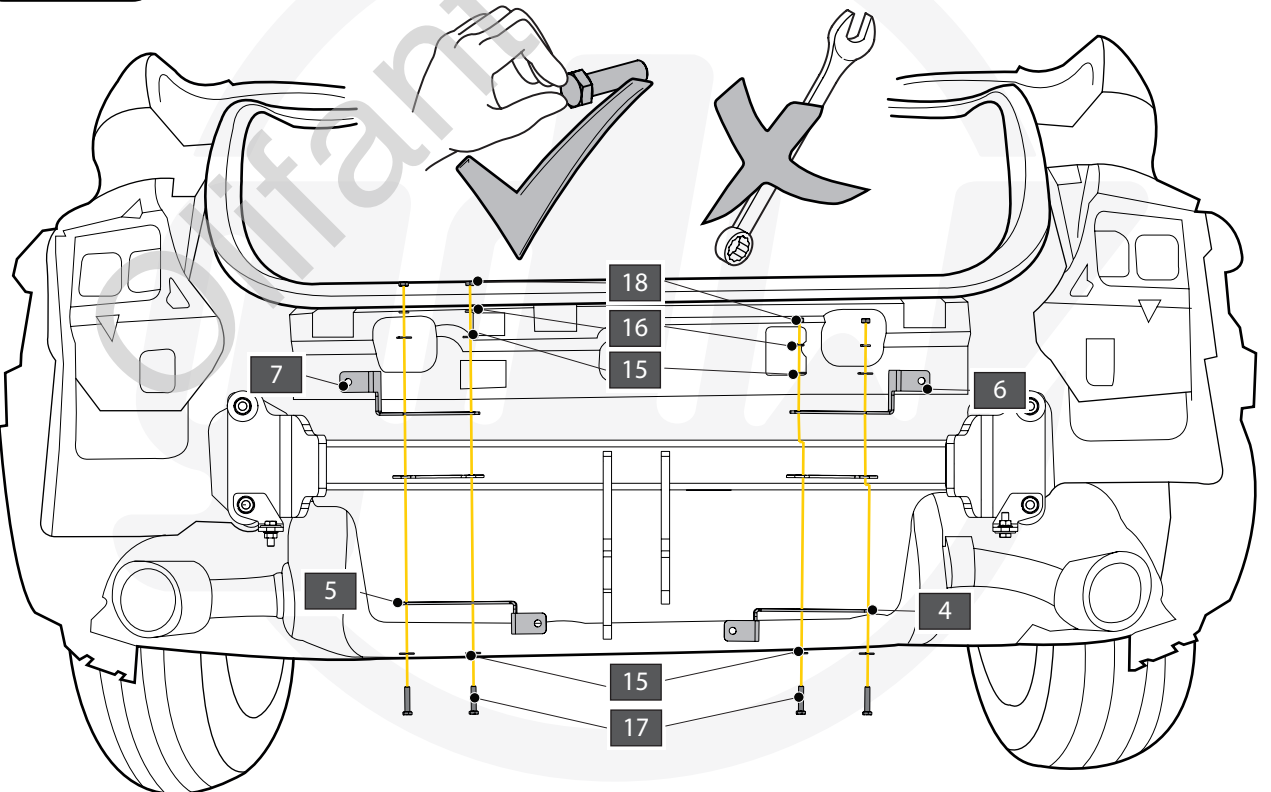
27,3 Nm

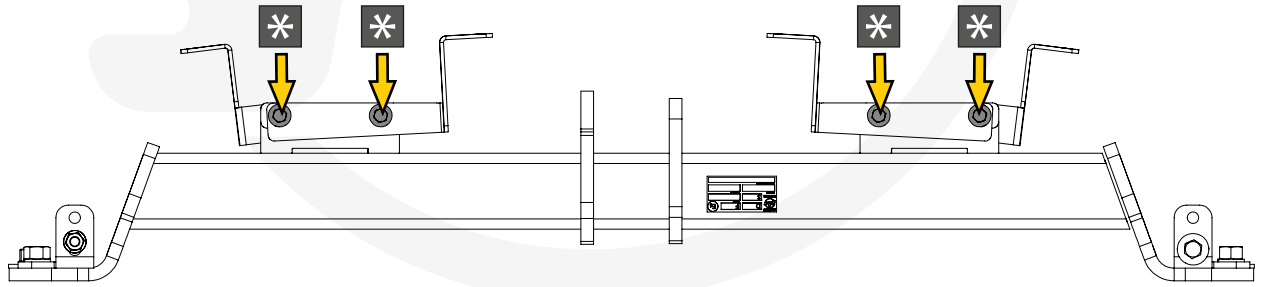
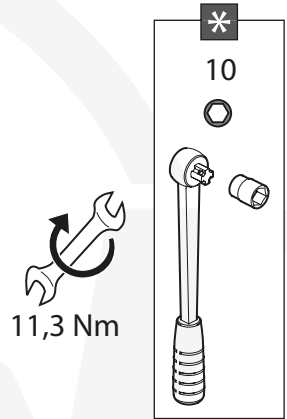
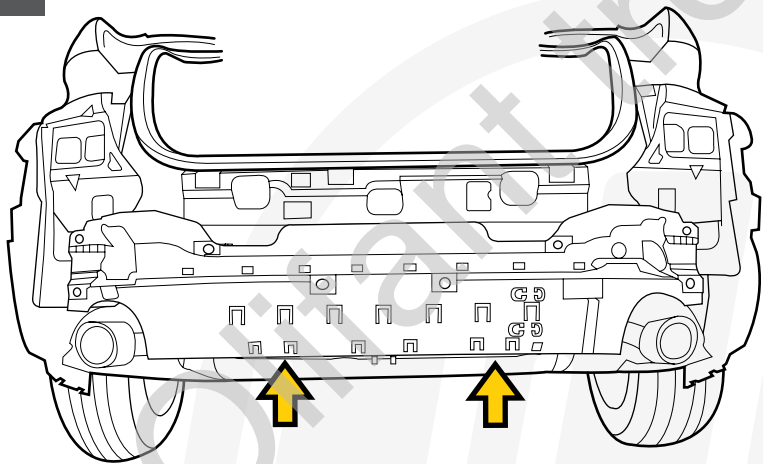
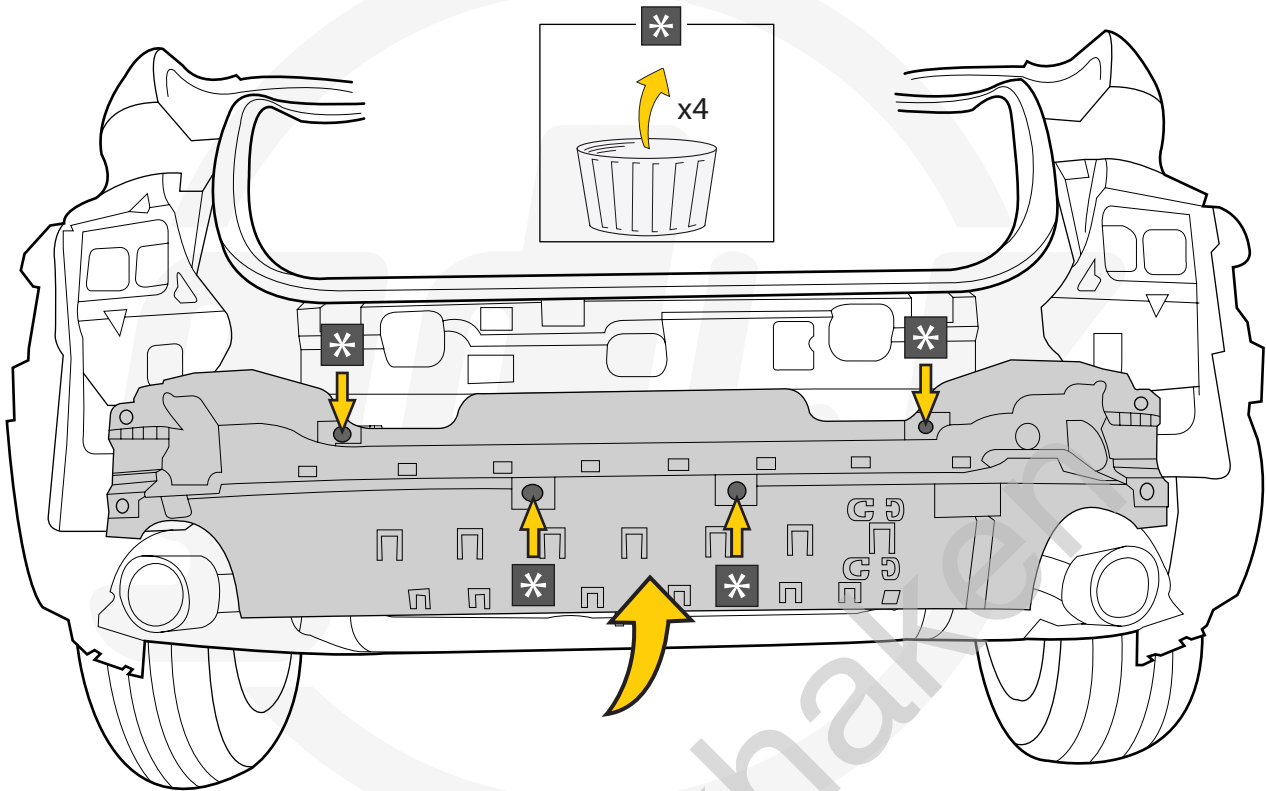


ONLY STANDARD VERSION 4 Gran Coupé & i4

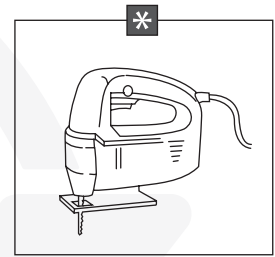
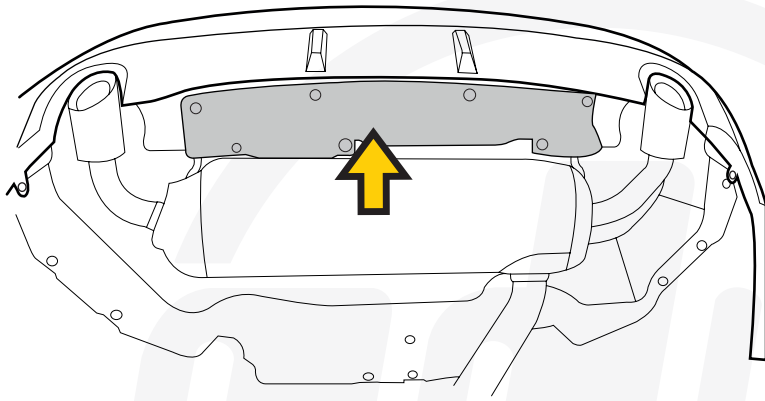


ONLY 4 Gran Coupé WITH M-PACKAGE

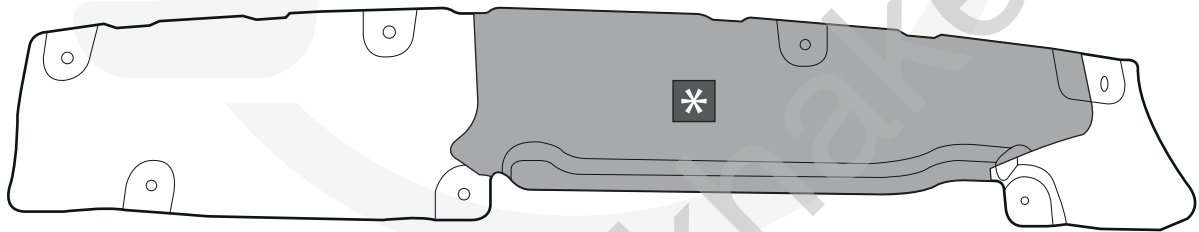




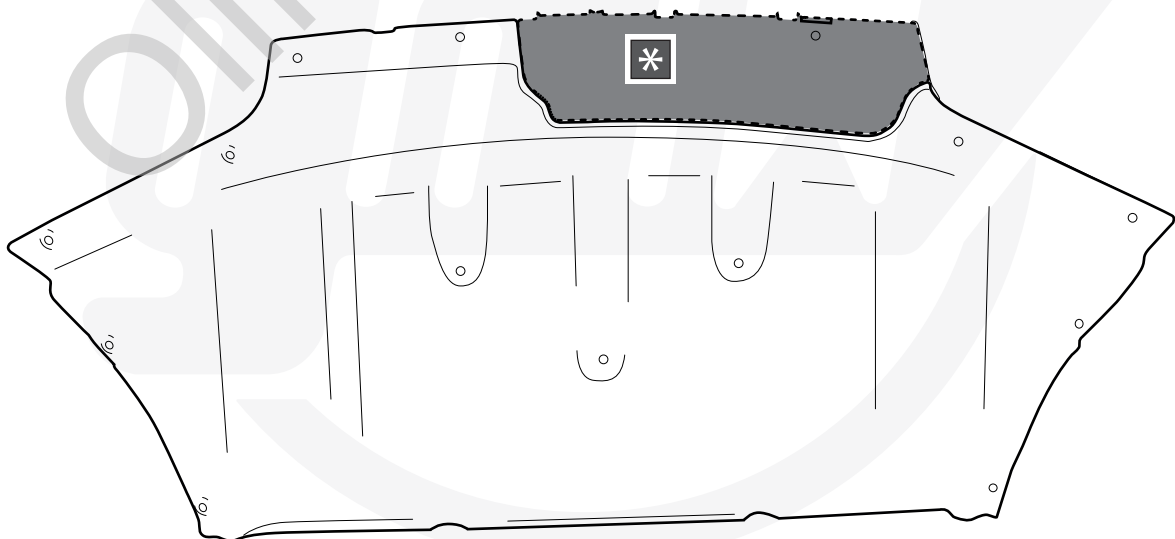
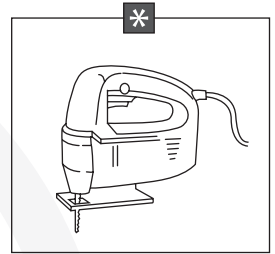


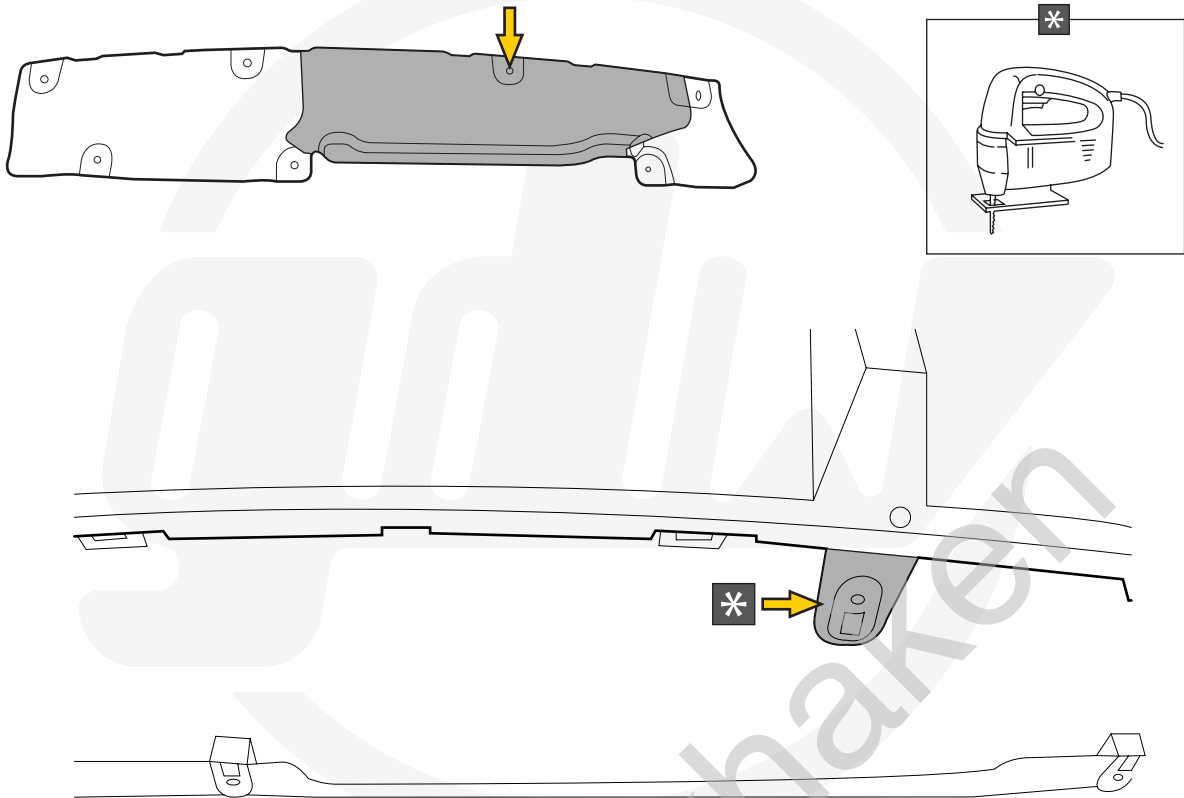


BMW 4 Gran Coupé



BMW i4



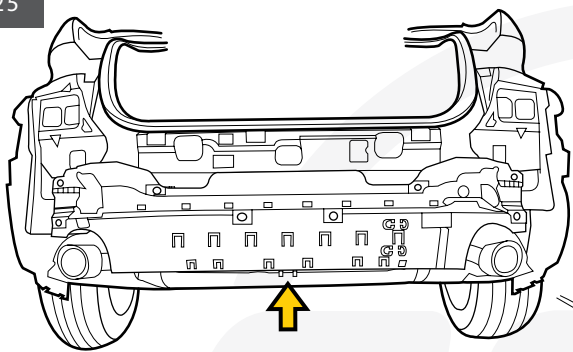


A		X1 GDW REF. 908.101
B		X1 DIN985-M6
C		X2 Ø15,4 X 6,2 X 1,6 (NYLON)
D		X1 GDW REF. 718.16.002
E		X1 GDW REF. 718.16.003
F		X1 GDW REF. 908.094
G		X1 DIN933-M6 X 30

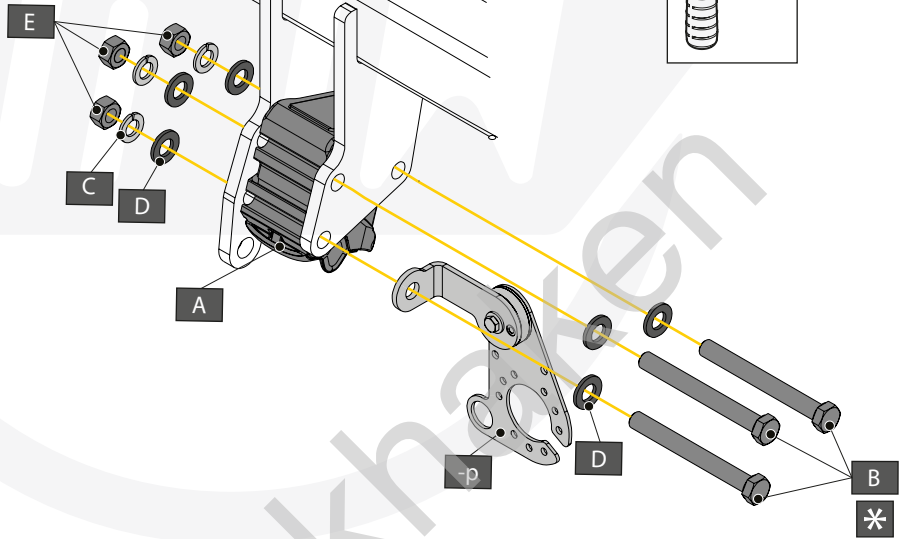
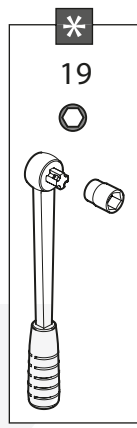
**\***

10

2,0 Nm



93,0 Nm



A		X1	912.003
B		X3	DIN931-M12X110
C		X3	DIN128A-M12
D		X6	DIN125A-M12
E		X3	DIN934-M12

