



Opel Mokka

10/'20 -



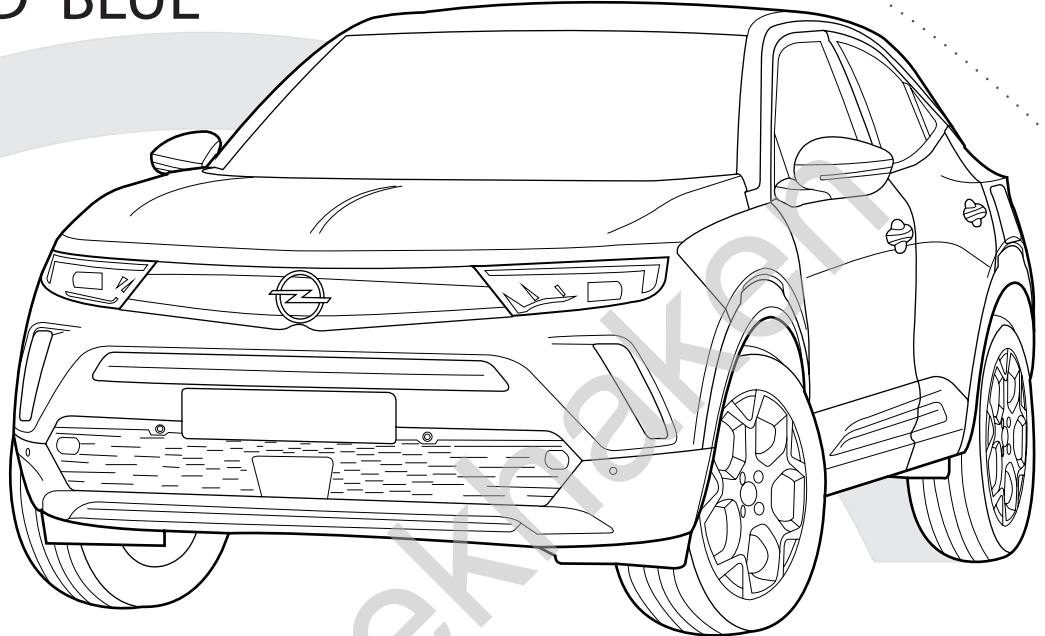
STANDARD



MOKKA-E



AD-BLUE



DS automobiles - DS 3 Crossback

10/'18 -



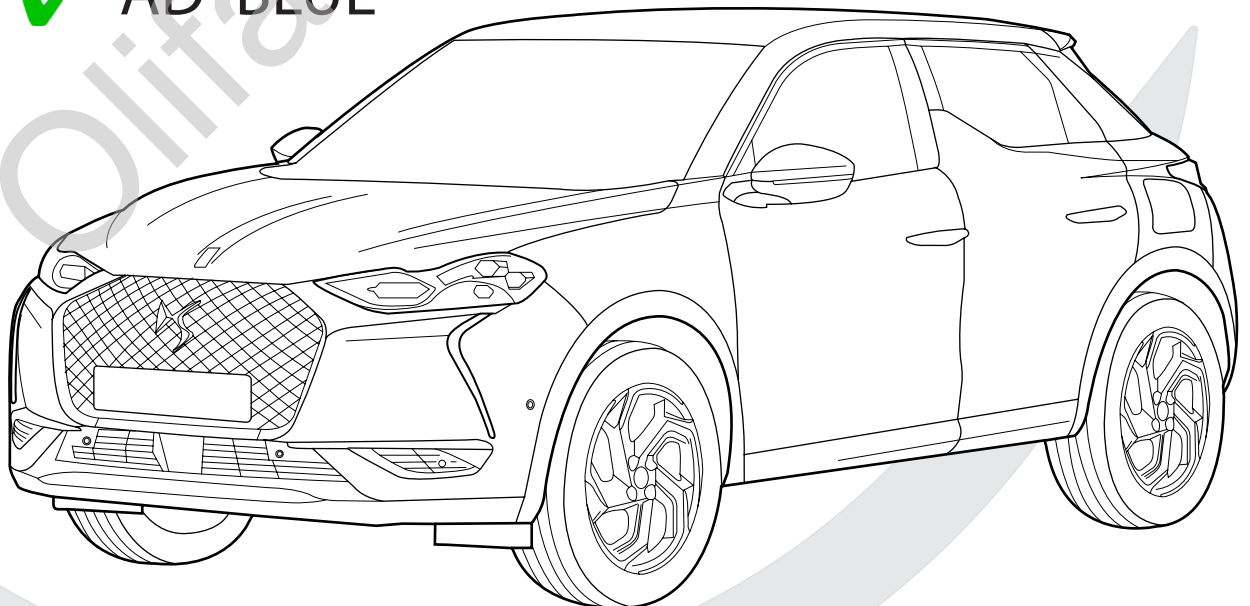
STANDARD

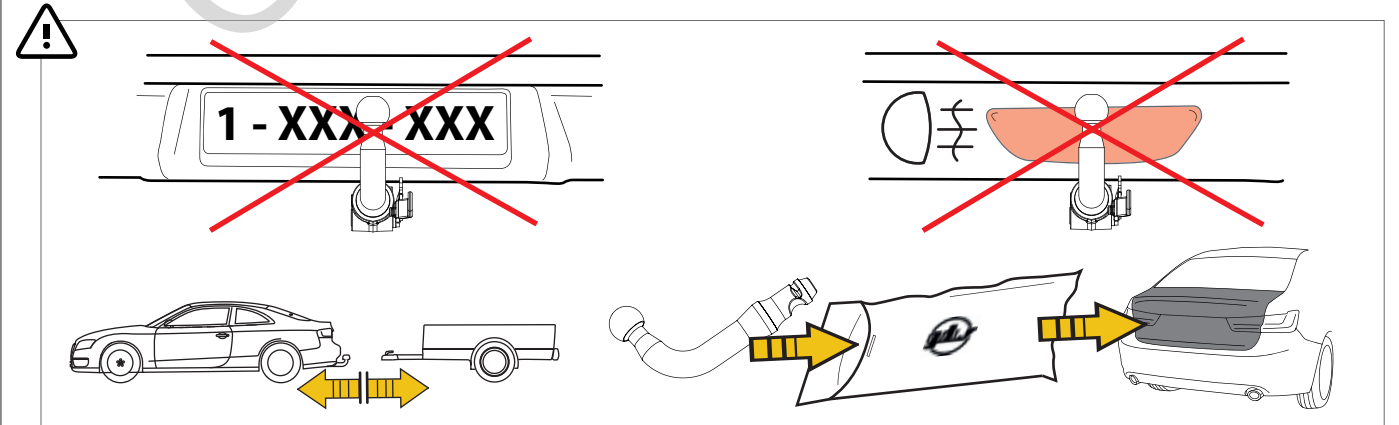
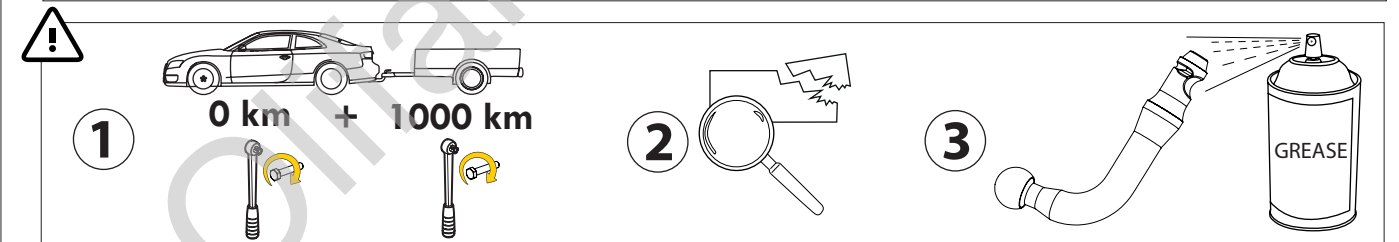
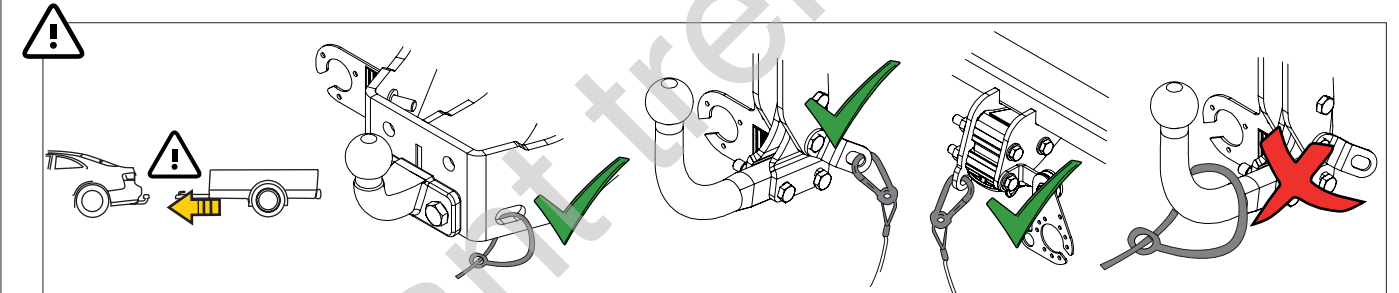
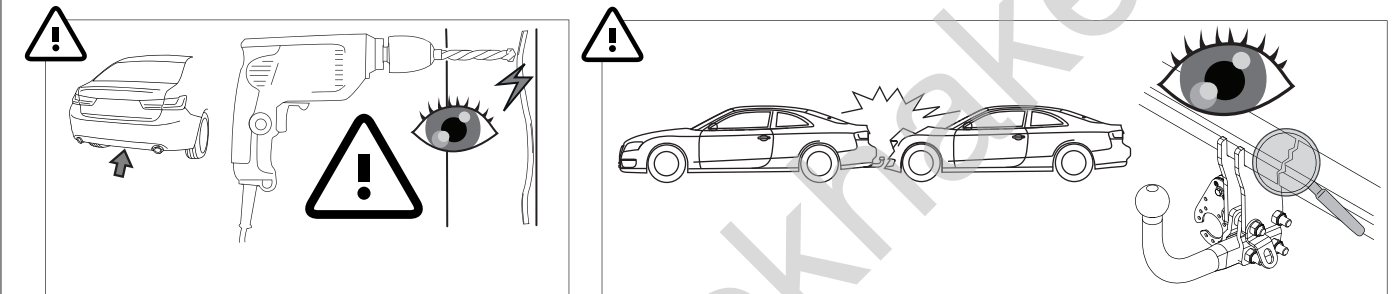
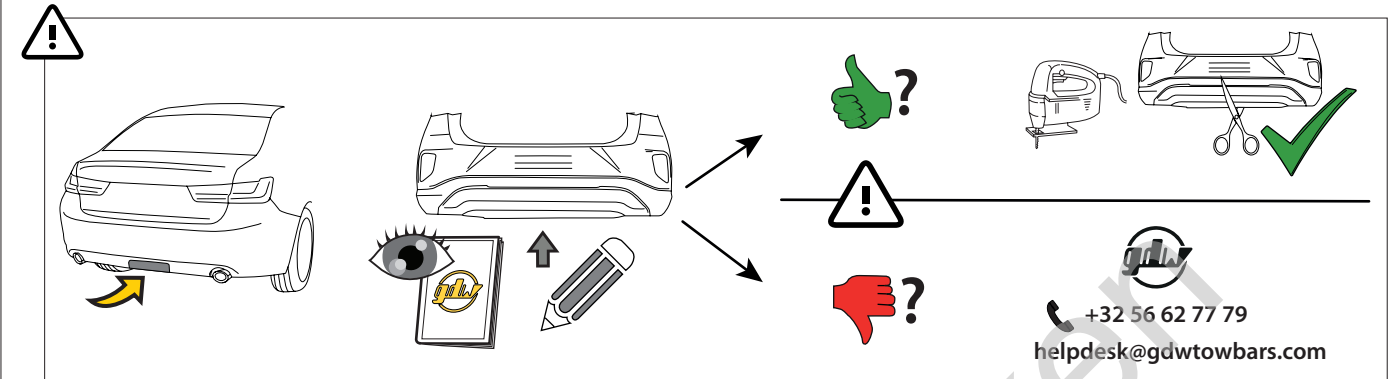
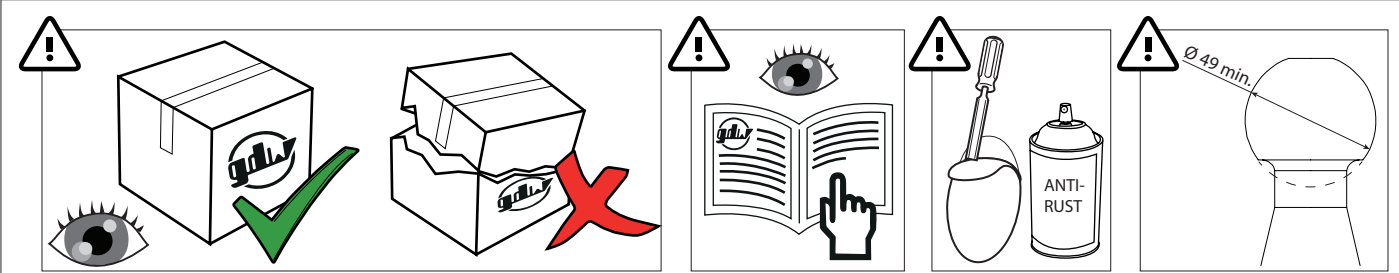


E-TENSE



AD-BLUE





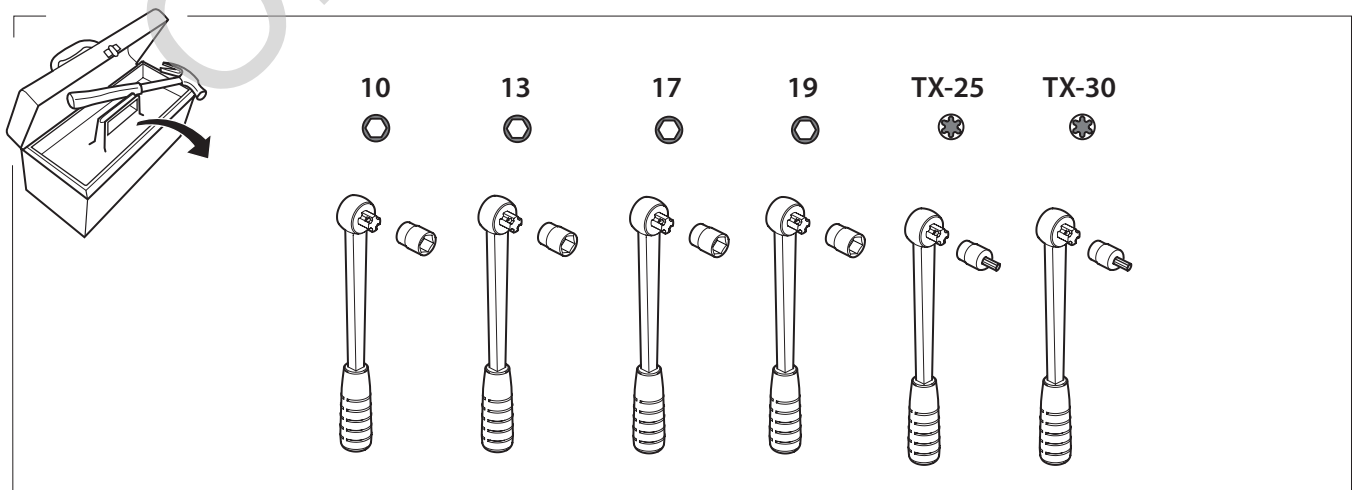
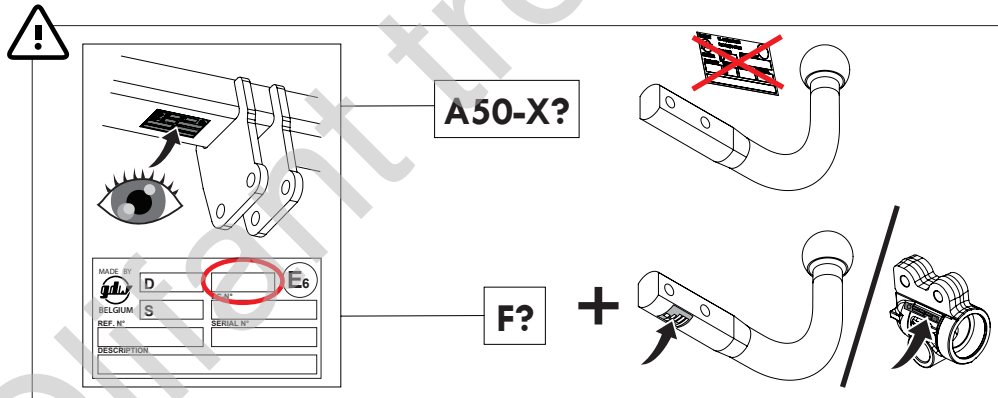
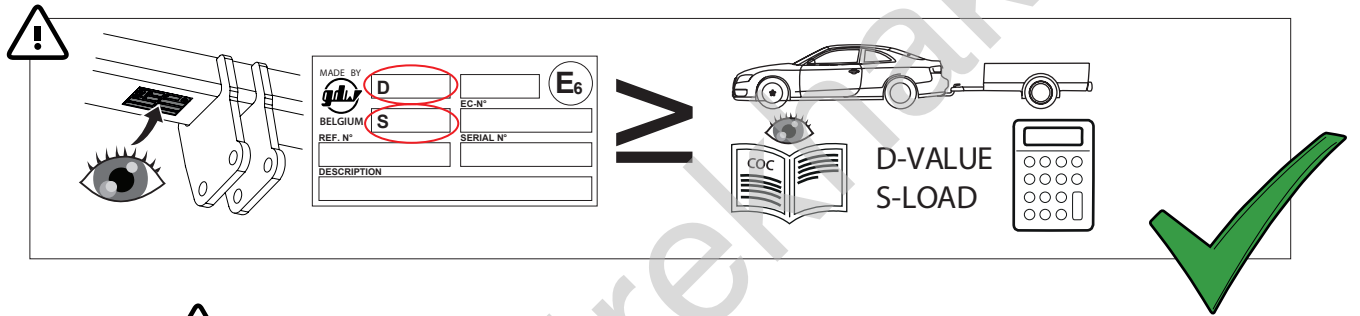
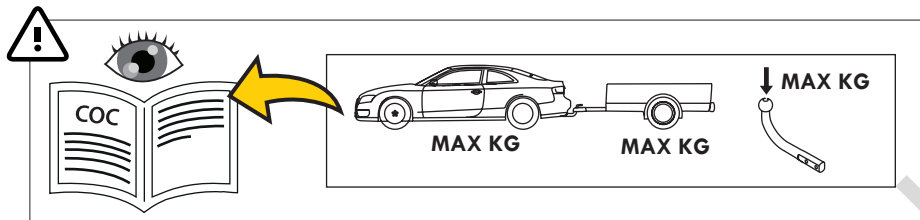
MADE BY 	D 7,50	A50-X	E6
BELGIUM	S 75	EC-N° 55R - 02 XXXX	
REF N° 2632T60		SERIAL N° XXXX	
DESCRIPTION Opel Mokka + CIT DS3 Crossback			

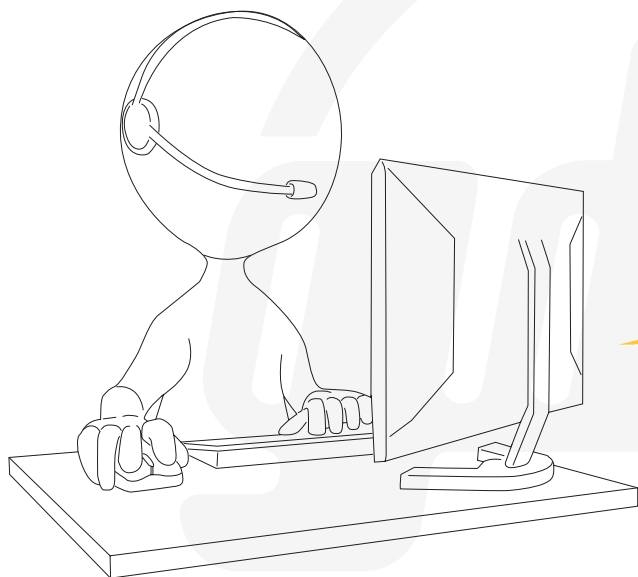
max kg **X** max kg $\times 0.00981 \leq 7,50 \text{ kN}$

max kg **+** max kg

S = $\leq 75 \text{ kg}$ $\leq 1200 \text{ kg}$

See the Certificate Of Conformity (COC) of your vehicle or contact your dealer to verify the max. trailer weight of your car!

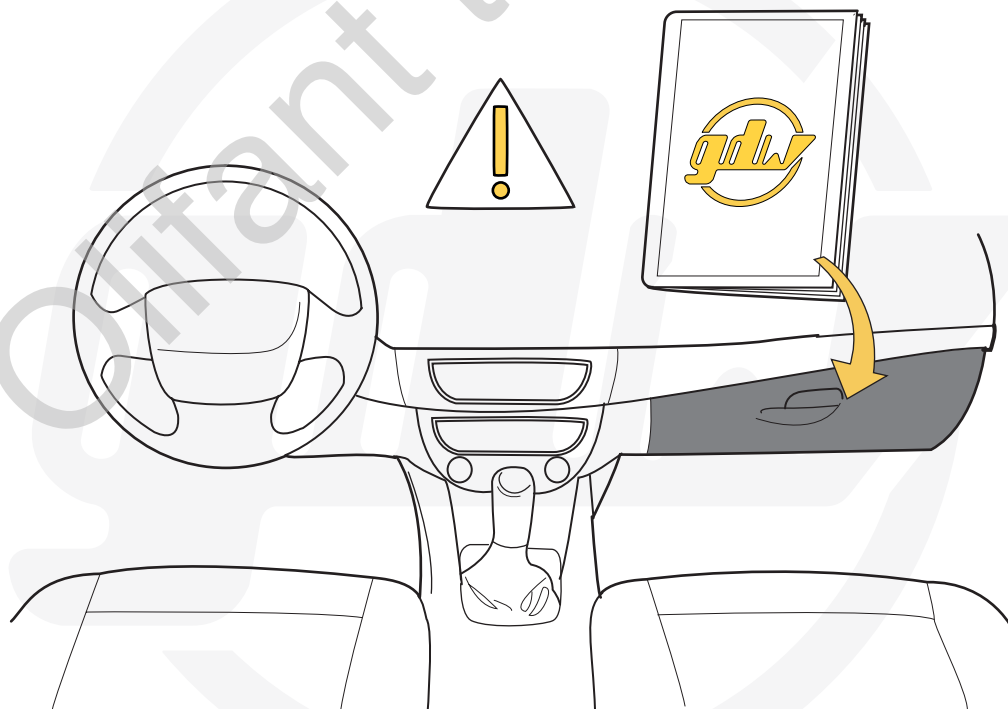


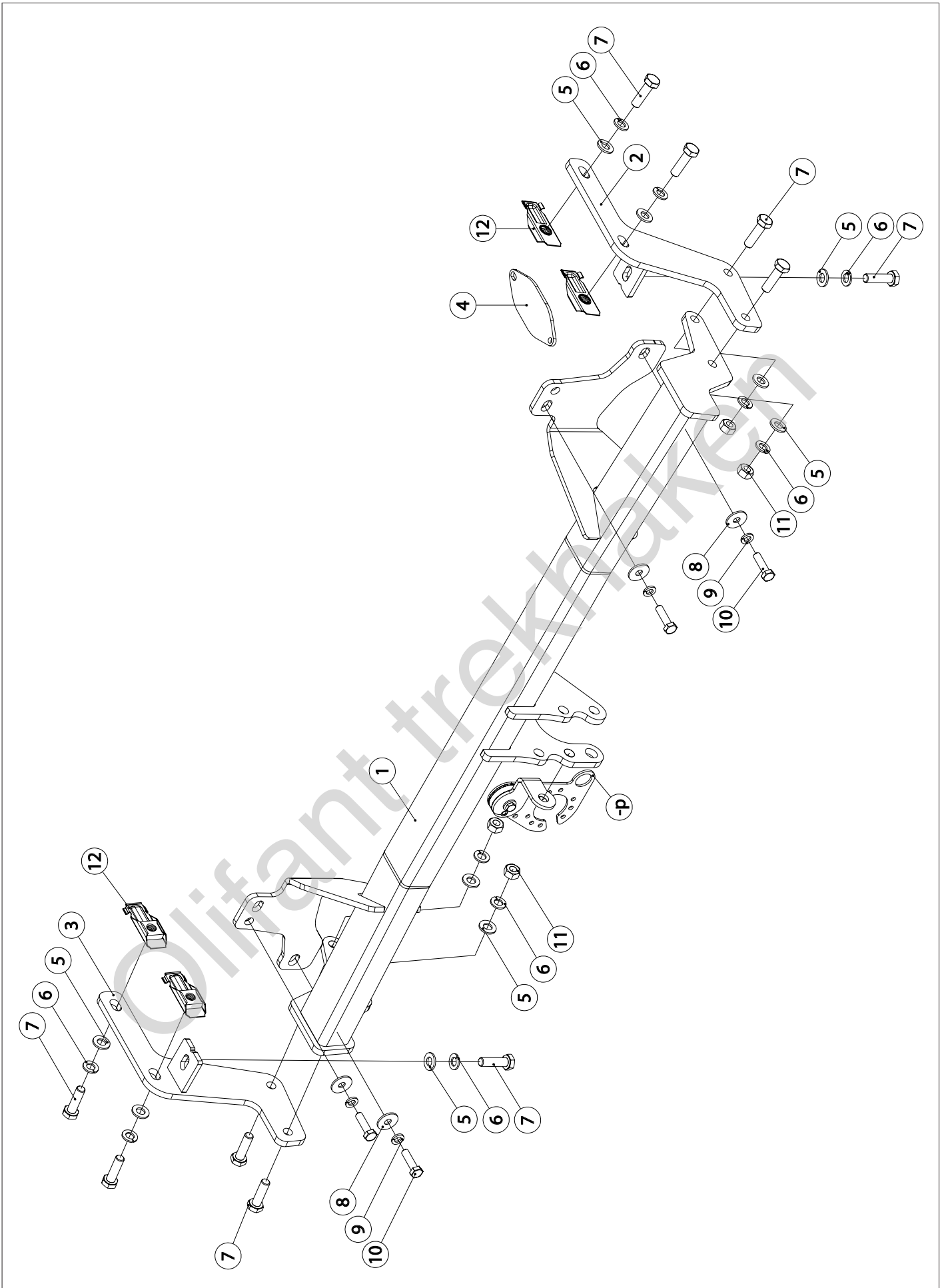


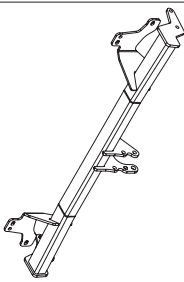
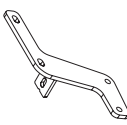
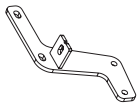


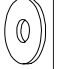
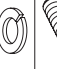

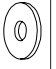
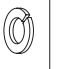
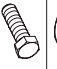
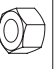

helpdesk@gdwtowbars.com

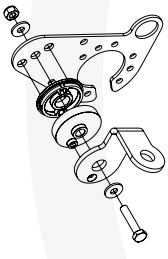


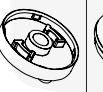
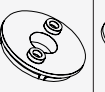



+32 56 62 77 79

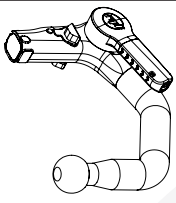

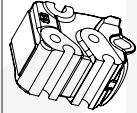


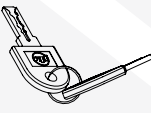
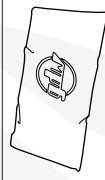
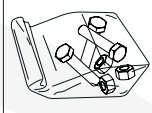



Monday	08:00 - 12:00	12:30 - 16:30
Tuesday	08:00 - 12:00	12:30 - 16:30
Wednesday	08:00 - 12:00	12:30 - 16:30
Thursday	08:00 - 12:00	12:30 - 16:30
Friday	08:00 - 12:00	12:30 - 15:30






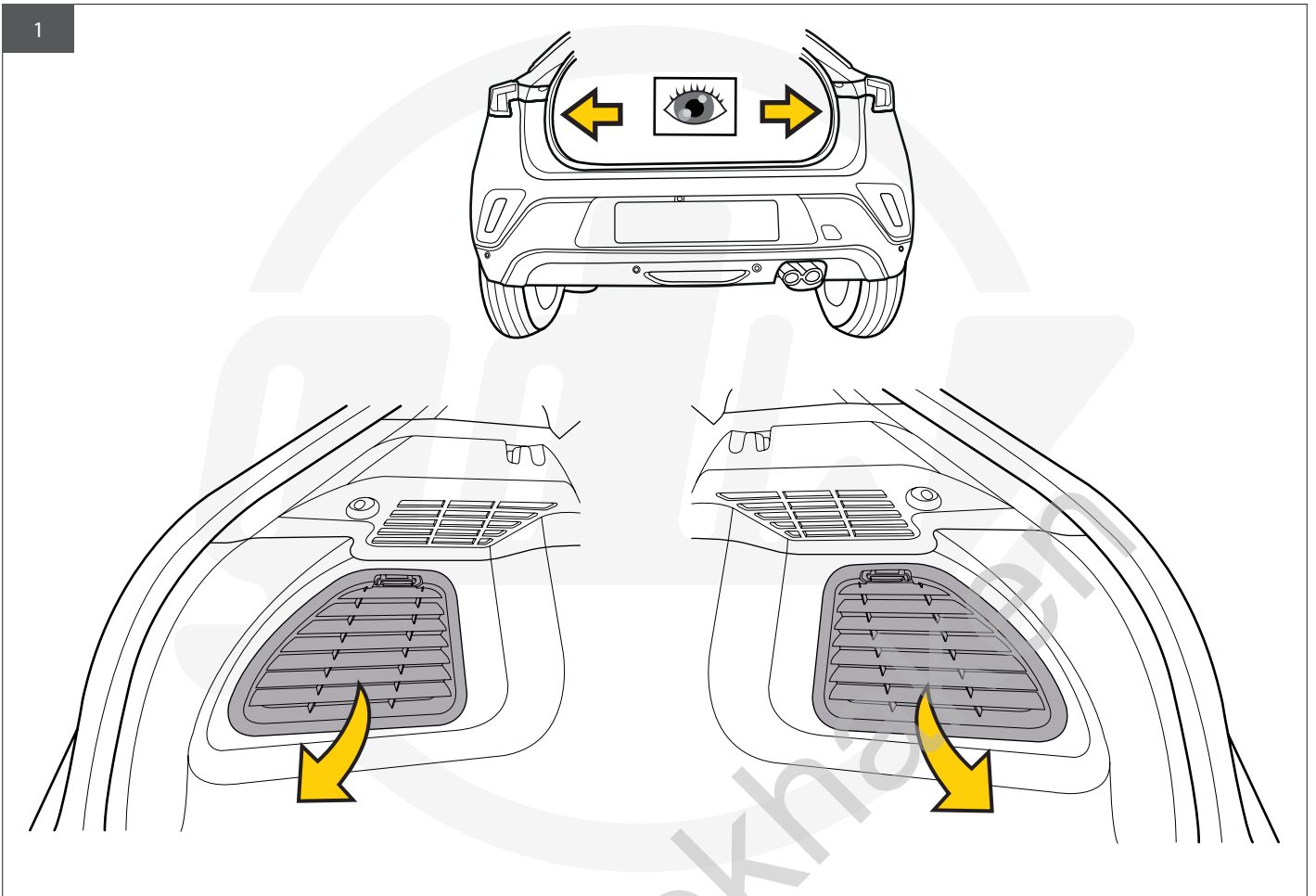
1		X1	GDW REF. 2632160
2		X1	GDW REF. 2
3		X1	GDW REF. 3
4		X1	GDW REF. 4 
5		X10	DIN125-A10-140HV-ELVZ
6		X10	DIN128A-M10
7		X10	DIN933-M10X35
8		X4	DIN9021-M8-ELVZ
9		X4	DIN128A-M8
10		X4	DIN933-M8X30
11		X4	DIN1934-M10
12		X4	M10-CL4870-1-150

-P		X1	GDW REF. P39
┆		X1	DIN985-M6
┆		X2	6,2 X 15,4 X 1,6 (NYLON)
┆		X1	GDW REF. 718.16.002
┆		X1	GDW REF. 718.16.003
┆		X1	GDW REF. 908.094
┆		X1	DIN933-M6 X 30
┆		X1	GDW REF. 908.095

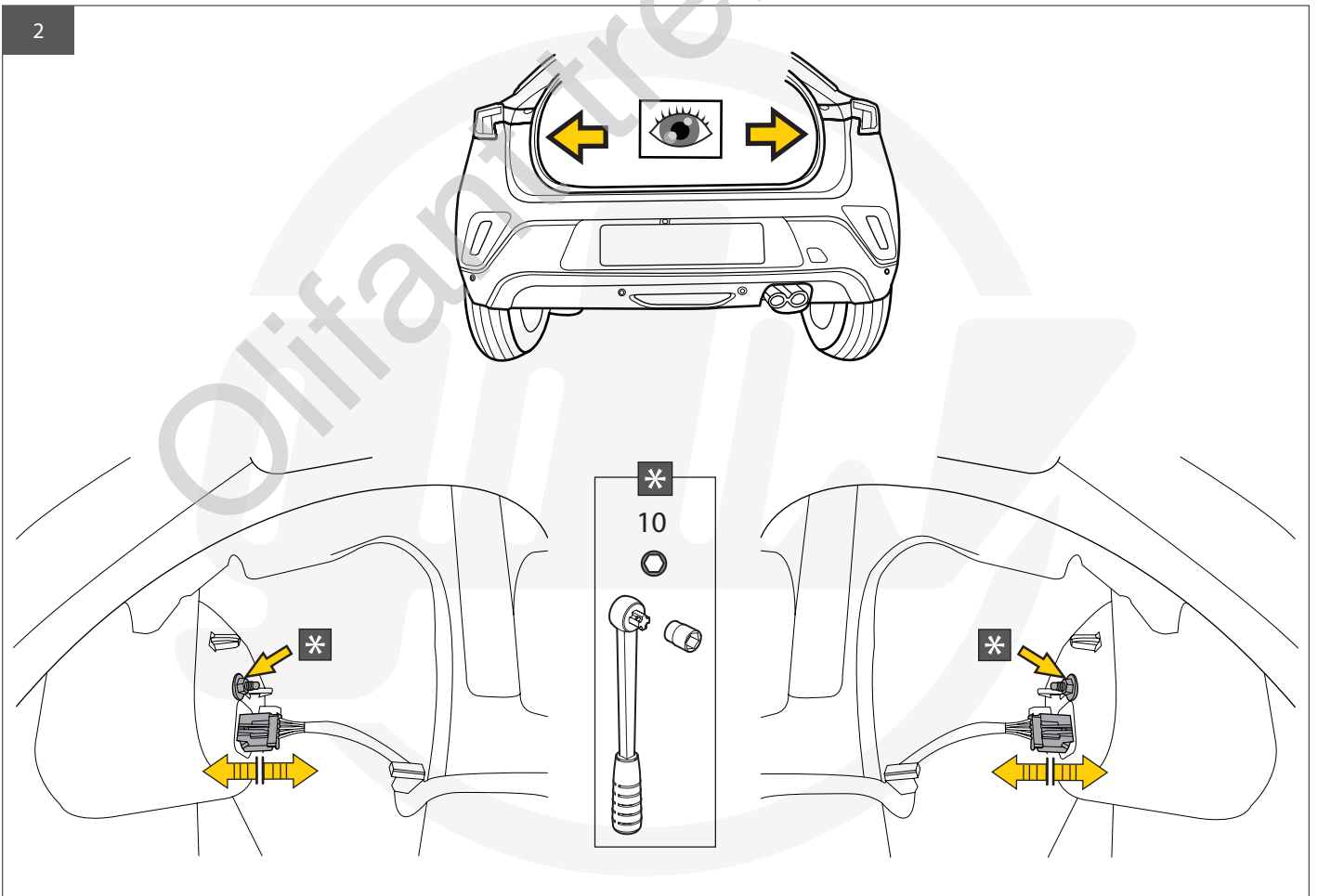
Geleverd met - Livré avec - Delivered with Geliefert mit - Elementos adjuntos-Leveres med		X1	GDW REF. 960.W0812
	┆ 	X1	GDW REF. 740.200
		X1	GDW REF. 912.003
	┆ 	X1	GDW REF. 740.112
	┆ 	X1	GDW REF. 740.111
		X1	GDW REF. 740.12X X= LAST NUMBER ON KEY
		X1	GDW REF. 718.15.001
		X1	GDW REF. SYST60-10
	┆ 	X3	DIN931-M12X110-8.8
	┆ 	X3	DIN128A-M12
	┆ 	X6	DIN125A-M12

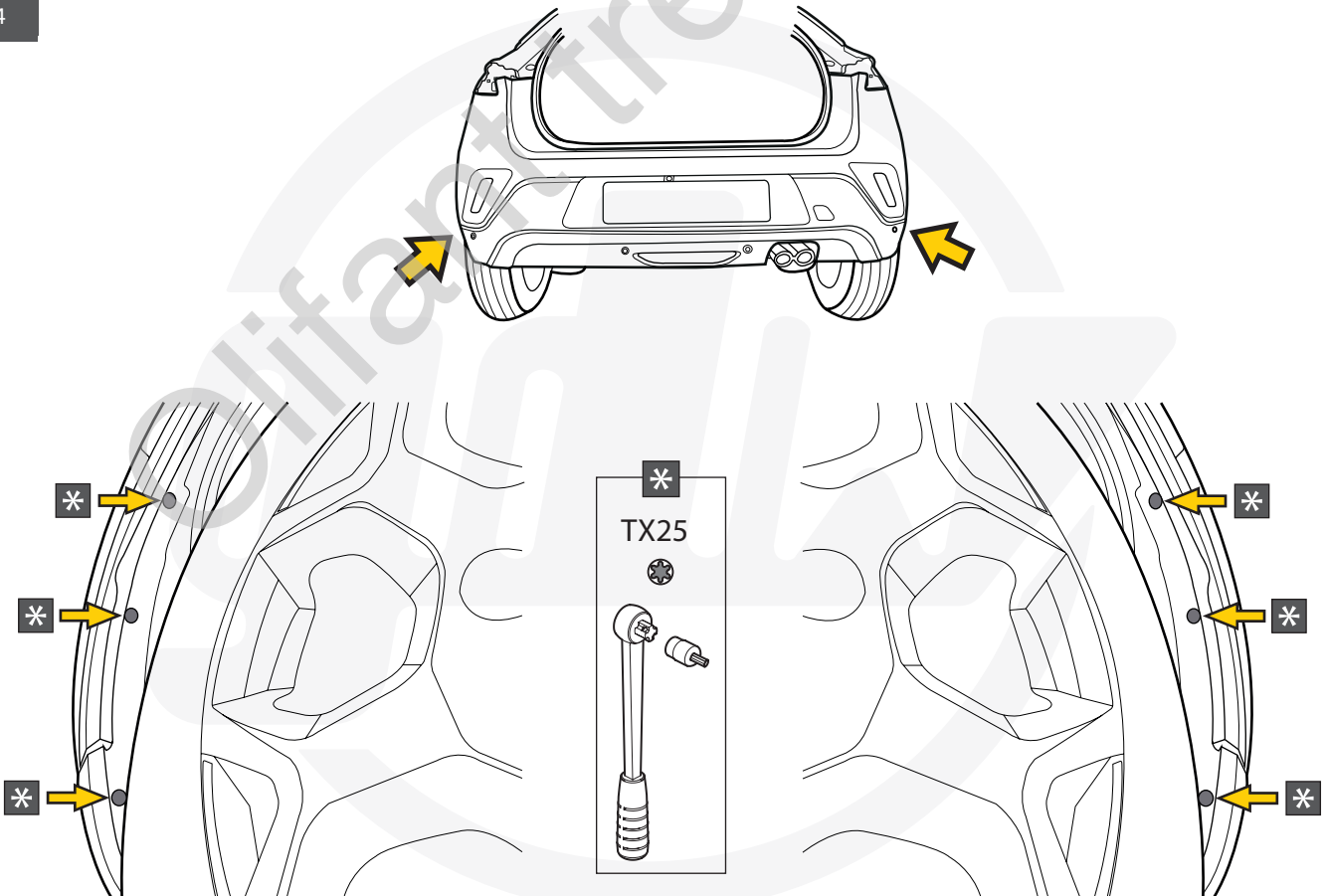
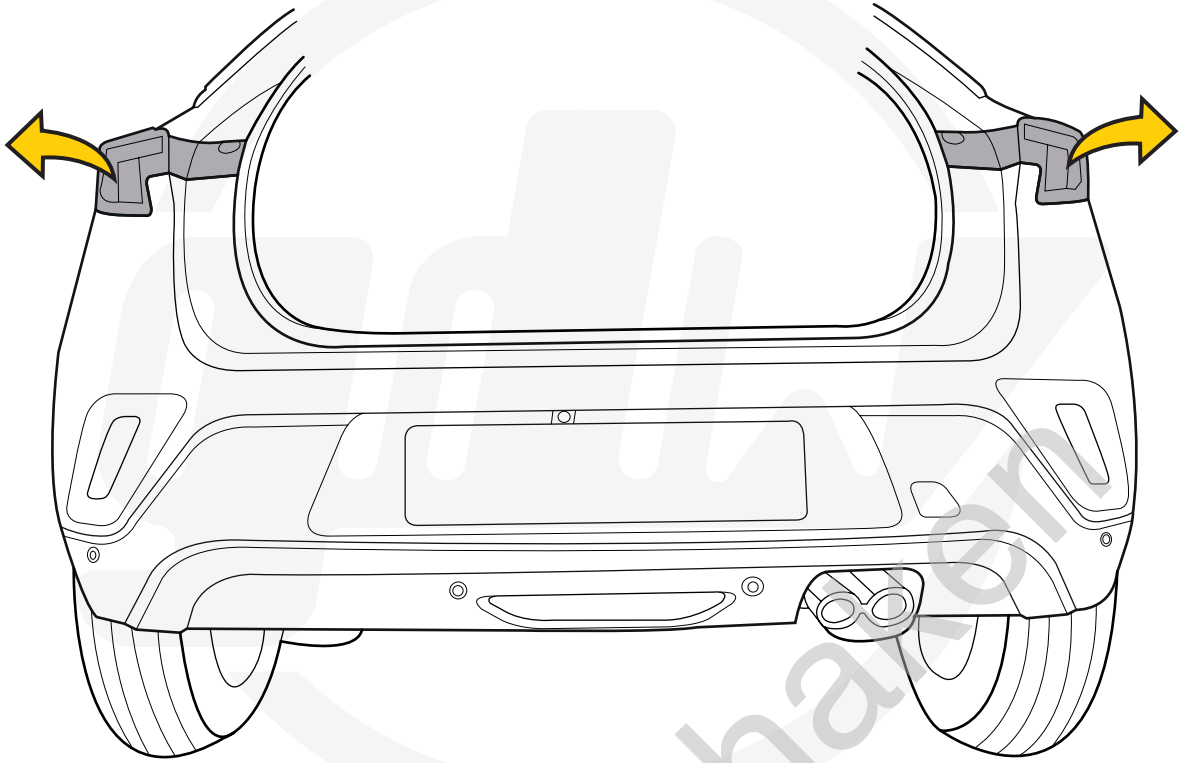
 ONLY FOR DS3 CROSSBACK

1

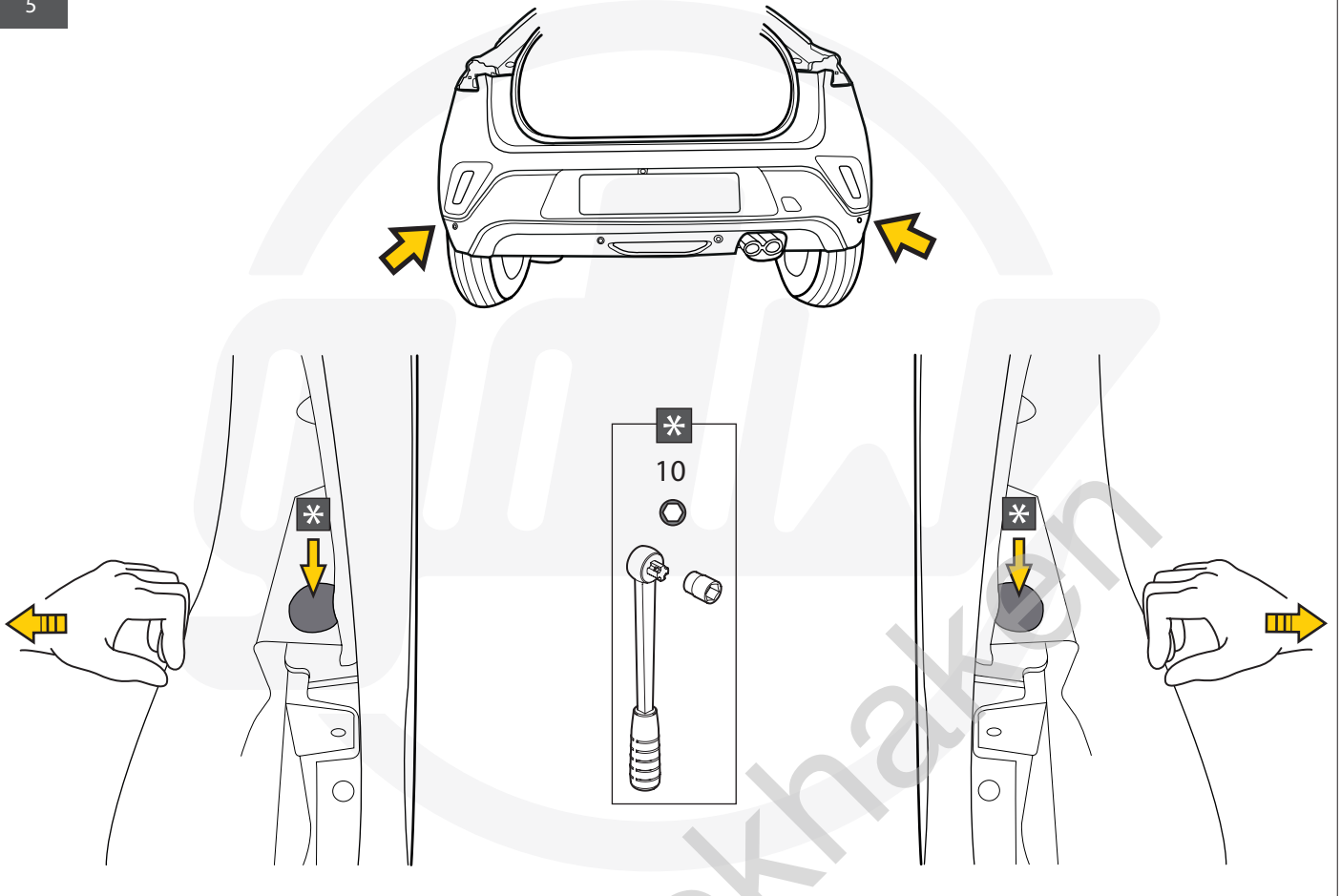


2

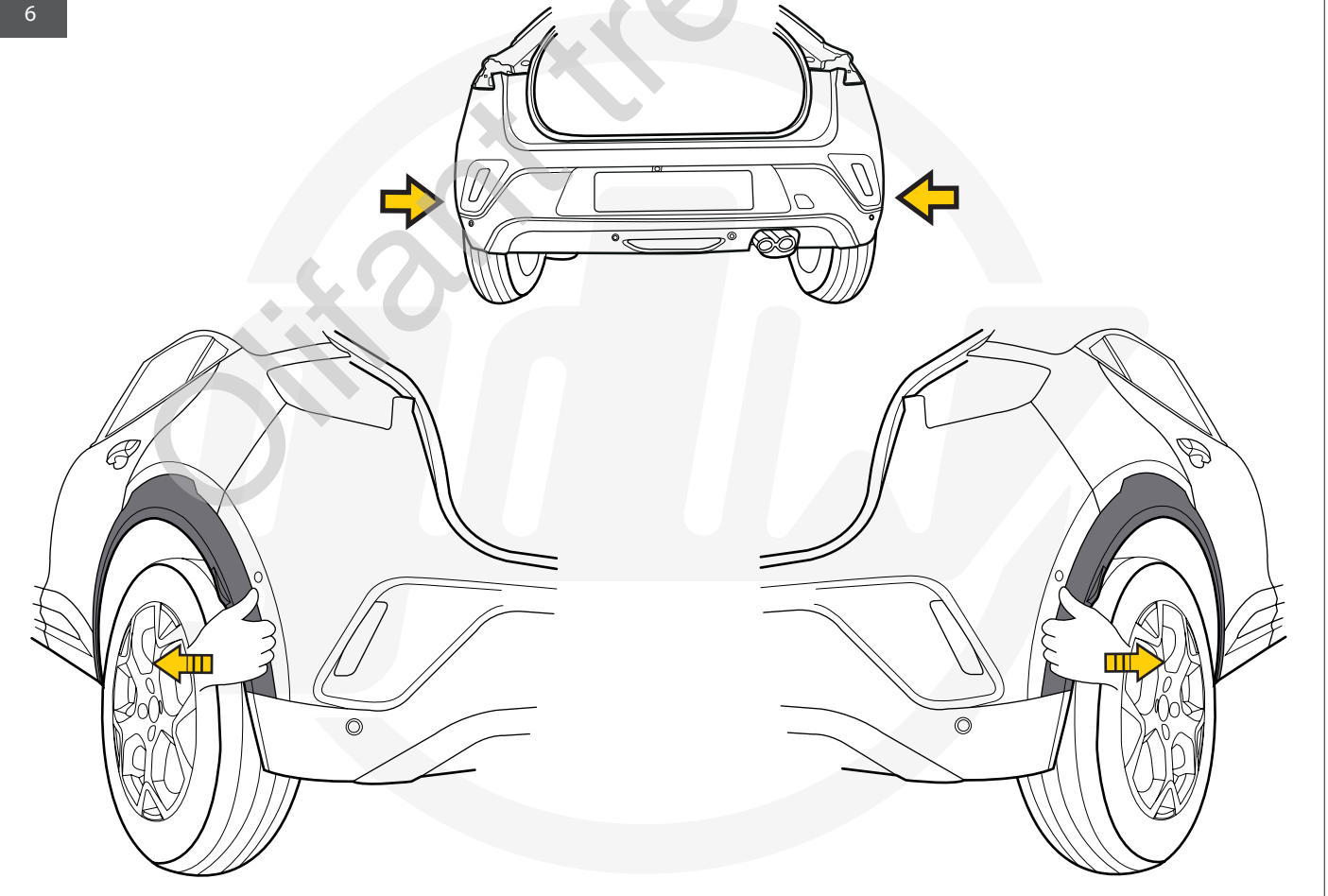




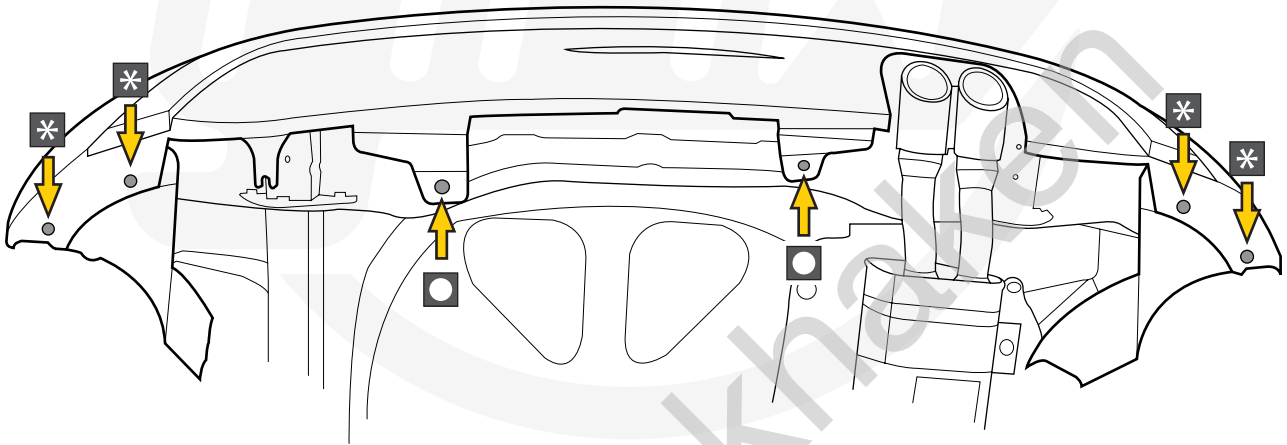
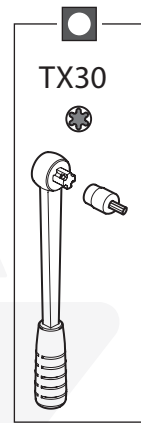
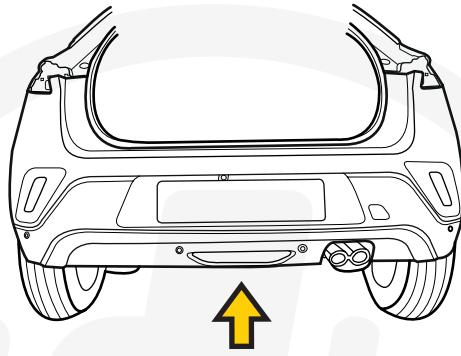
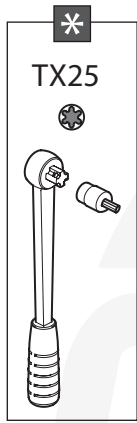
5



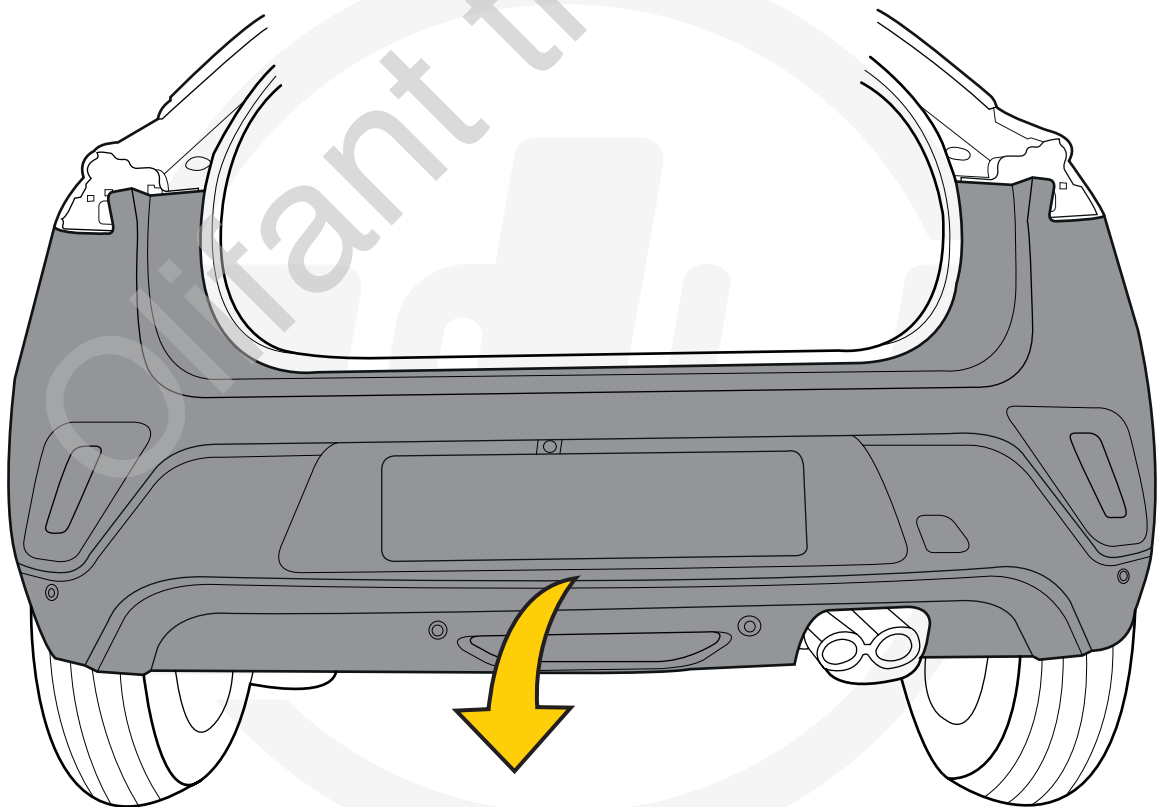
6



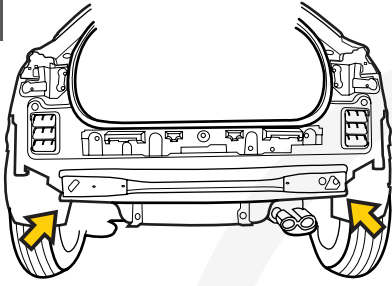
7



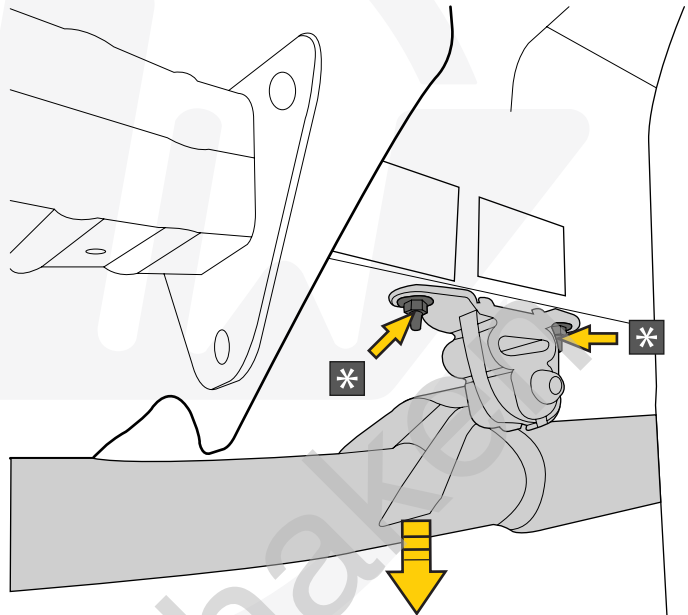
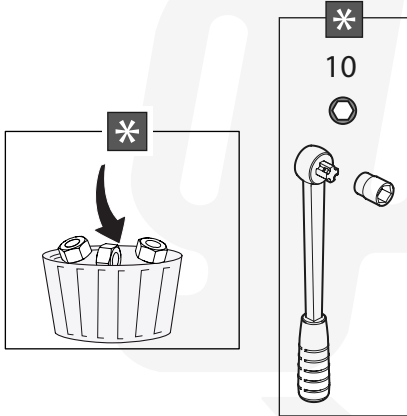
8



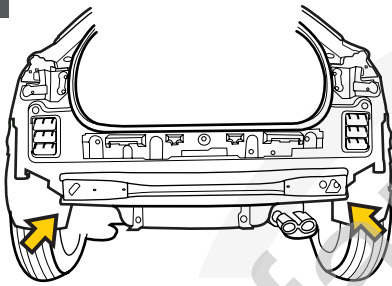
9



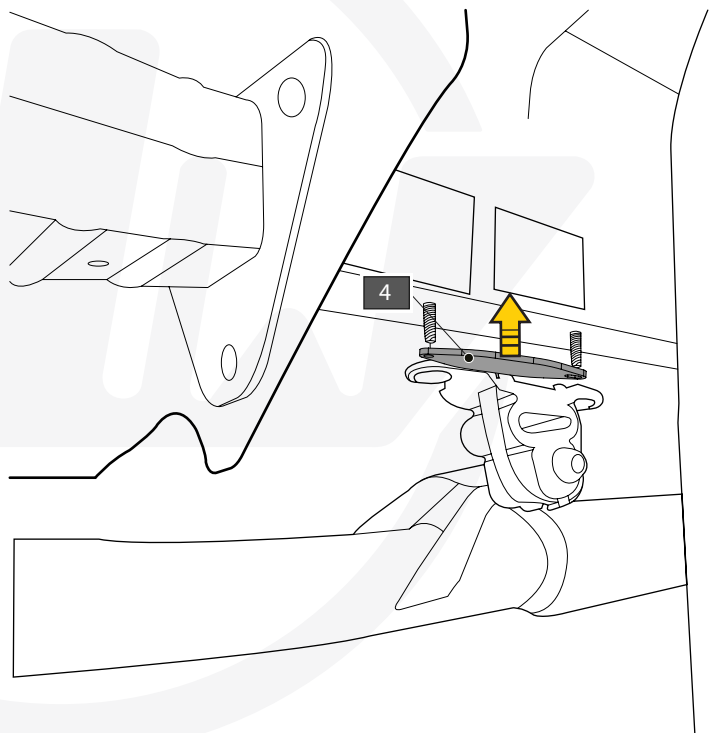
only for DS3-Crossback



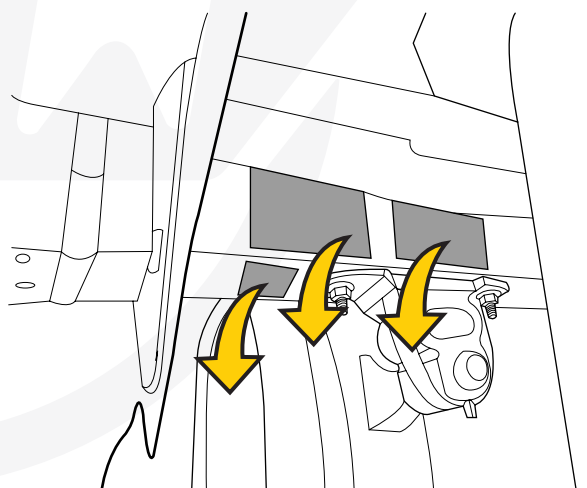
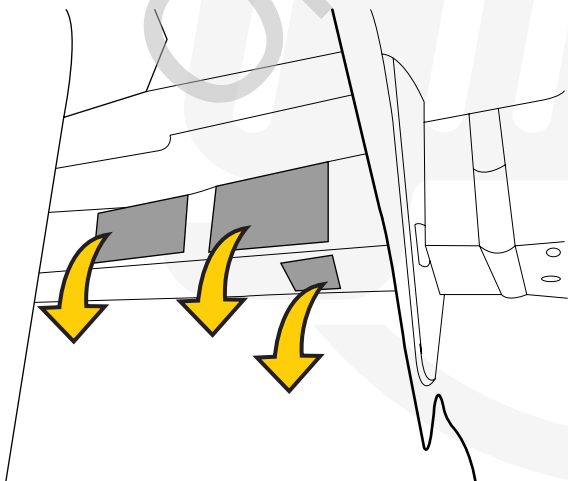
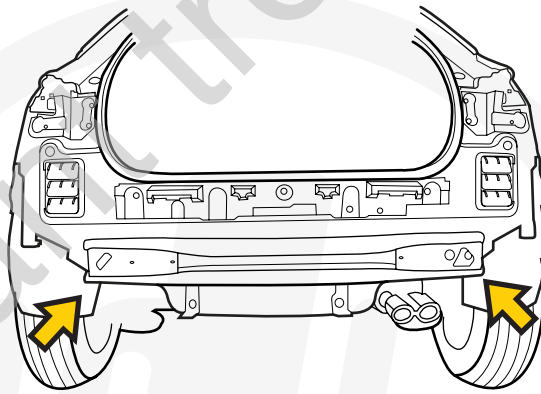
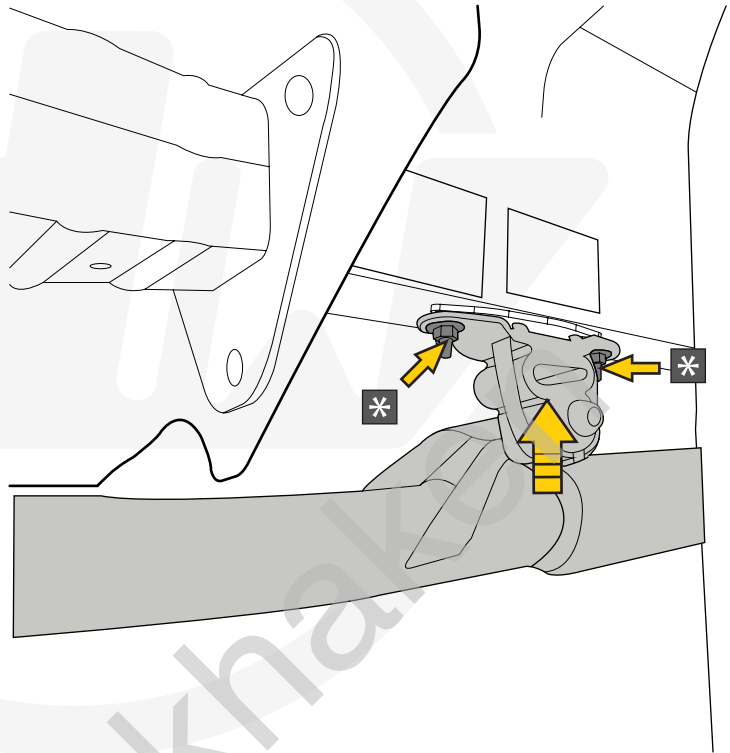
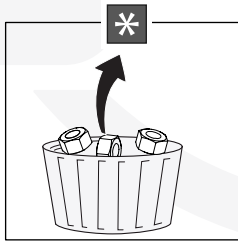
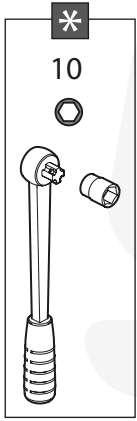
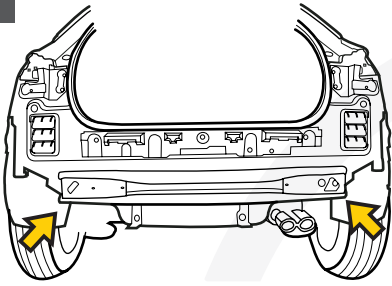
10

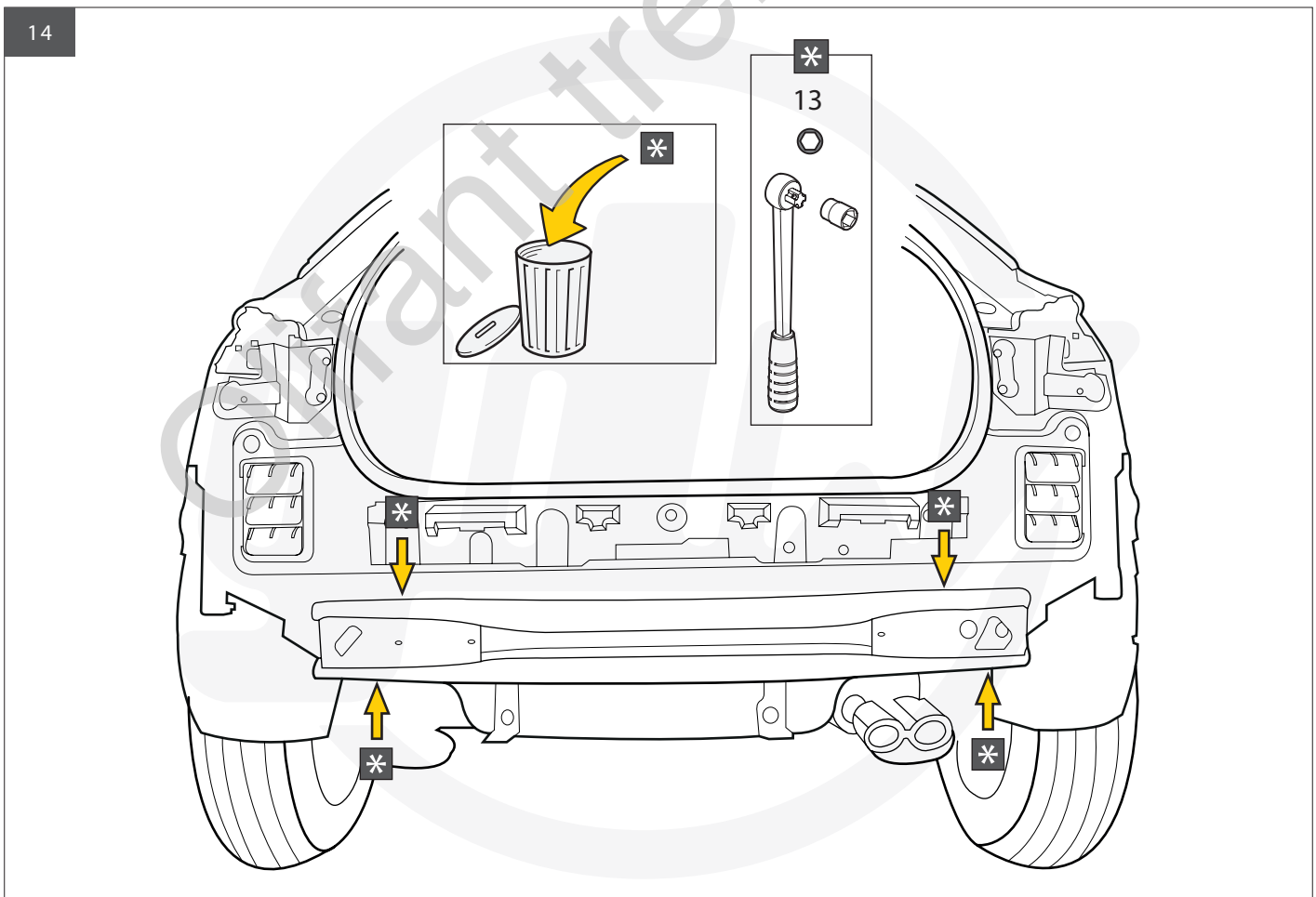
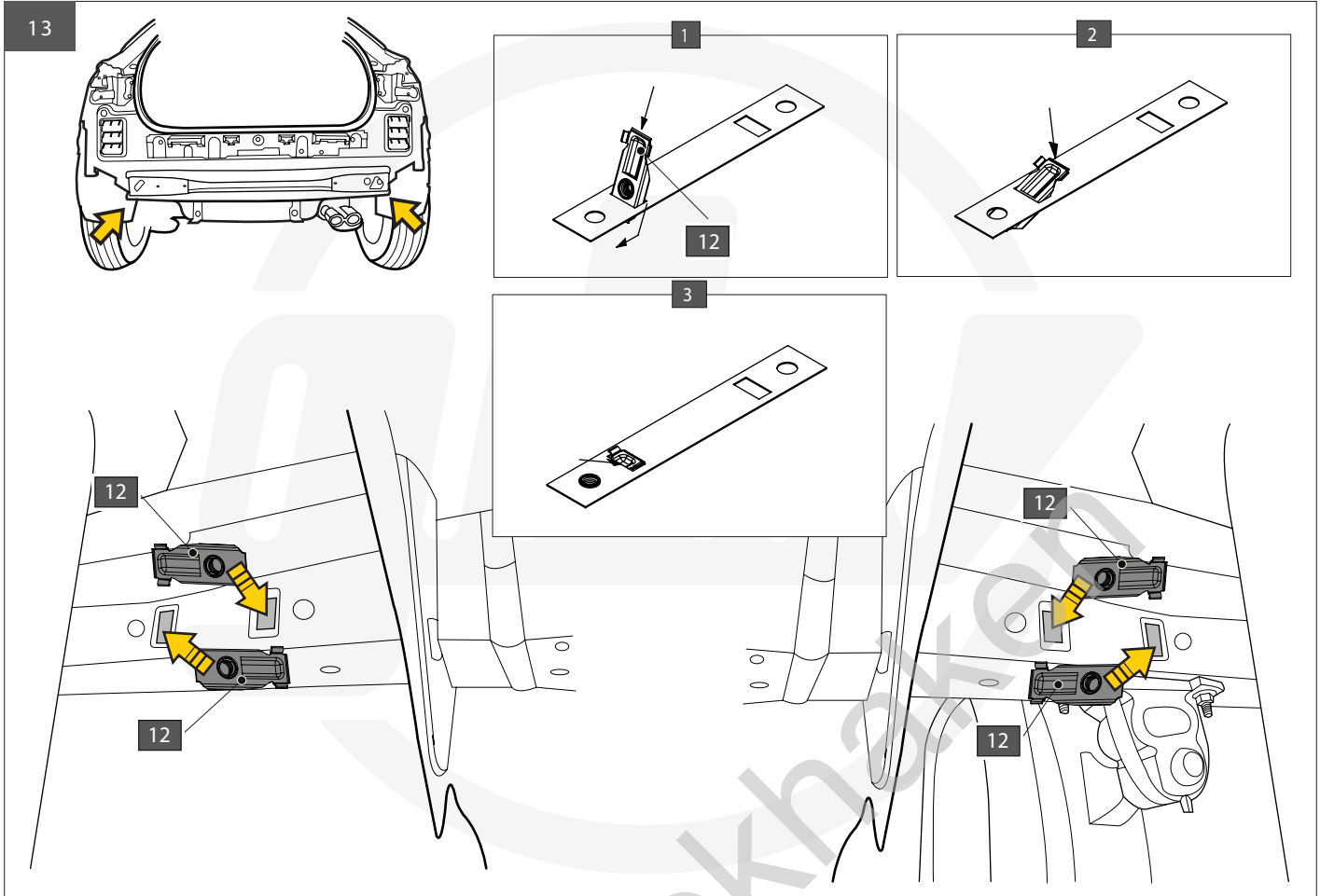


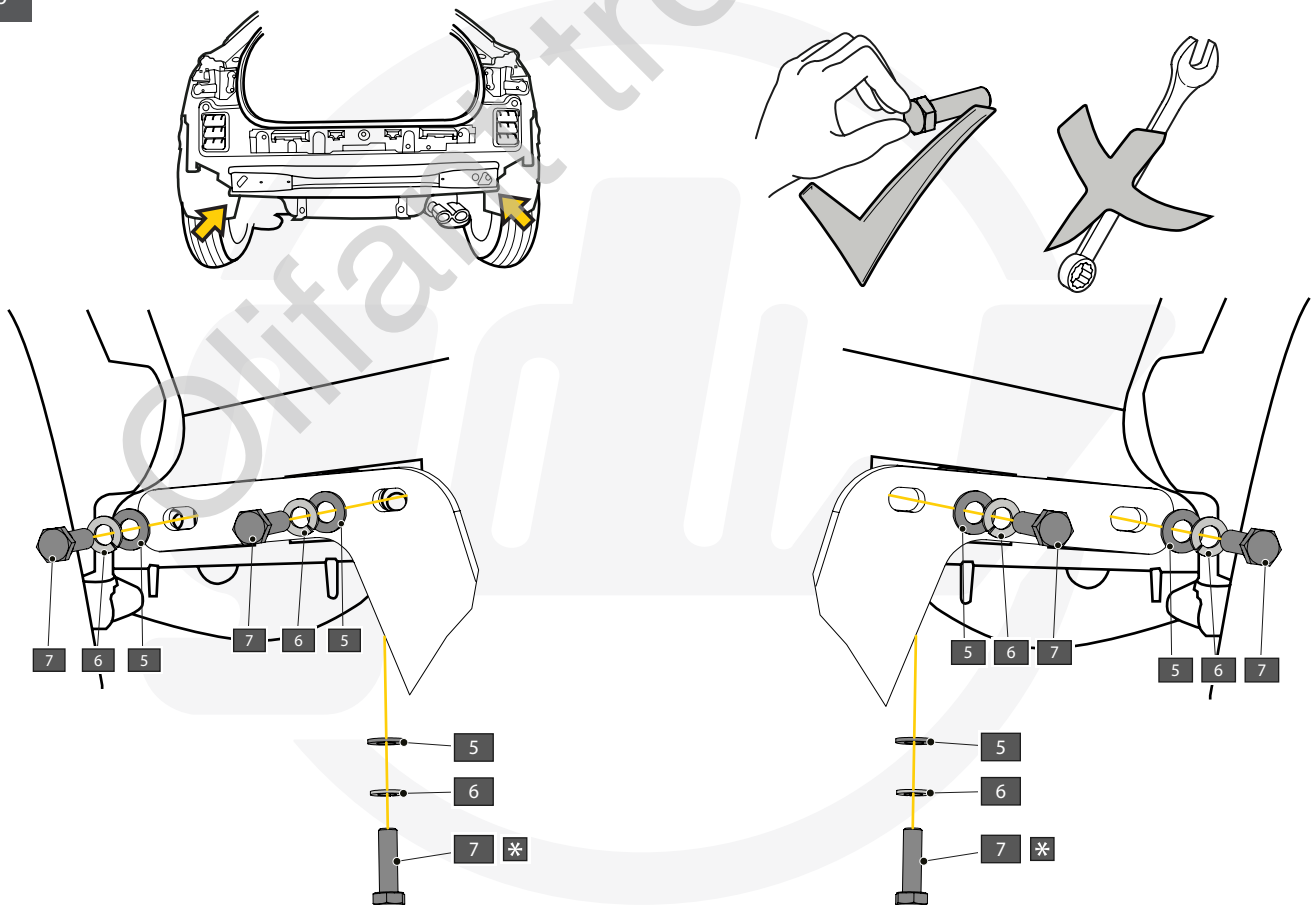
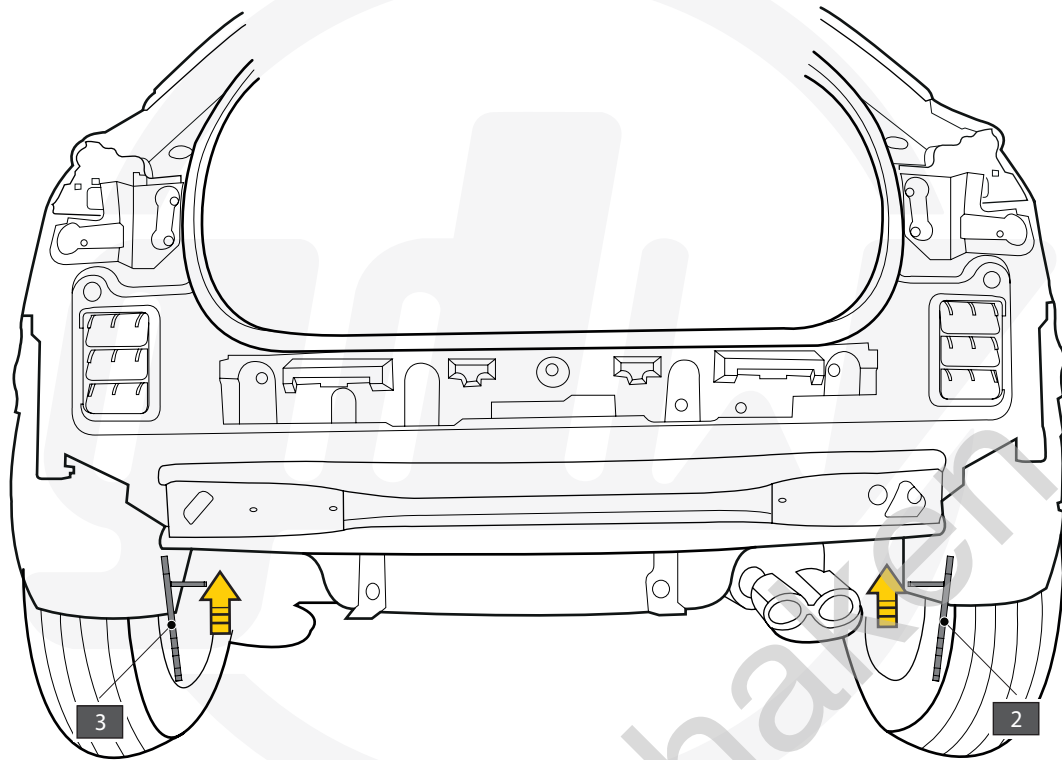
only for DS3-Crossback

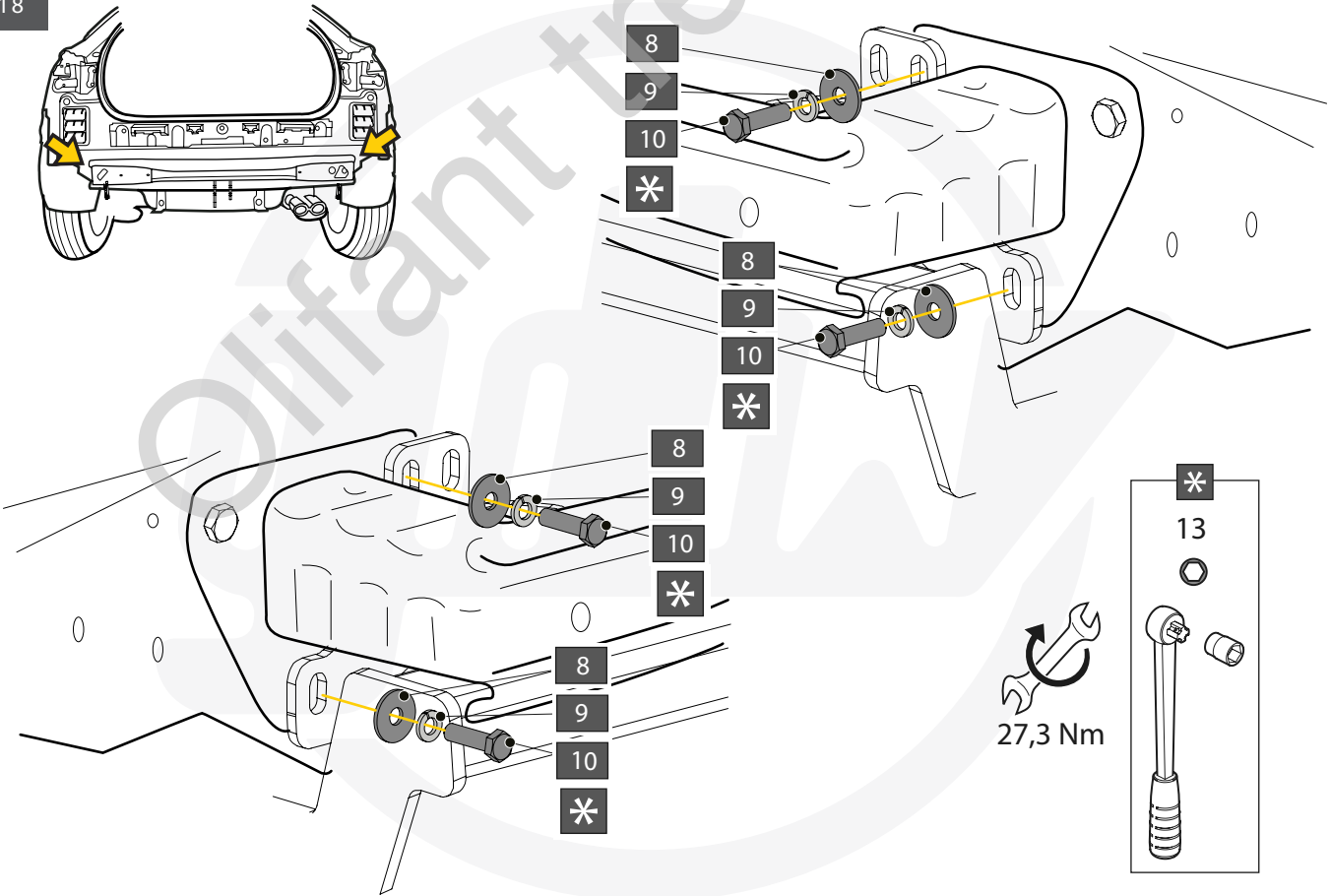
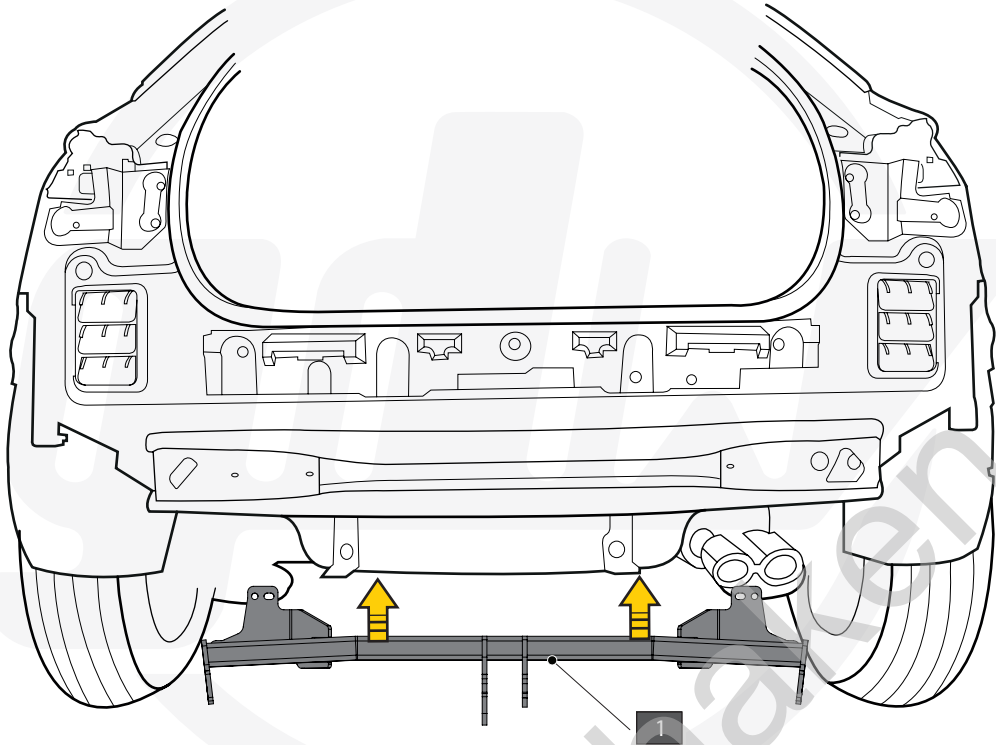


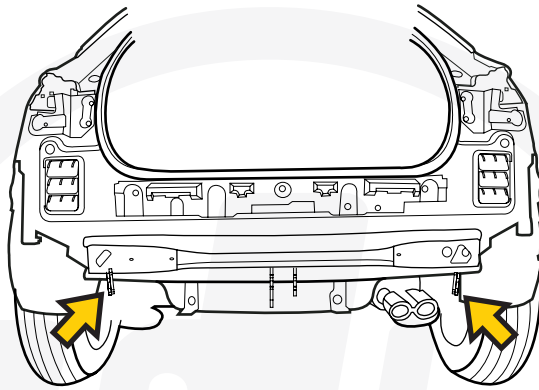
only for DS3-Crossback



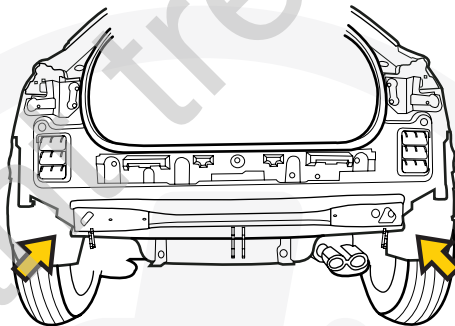
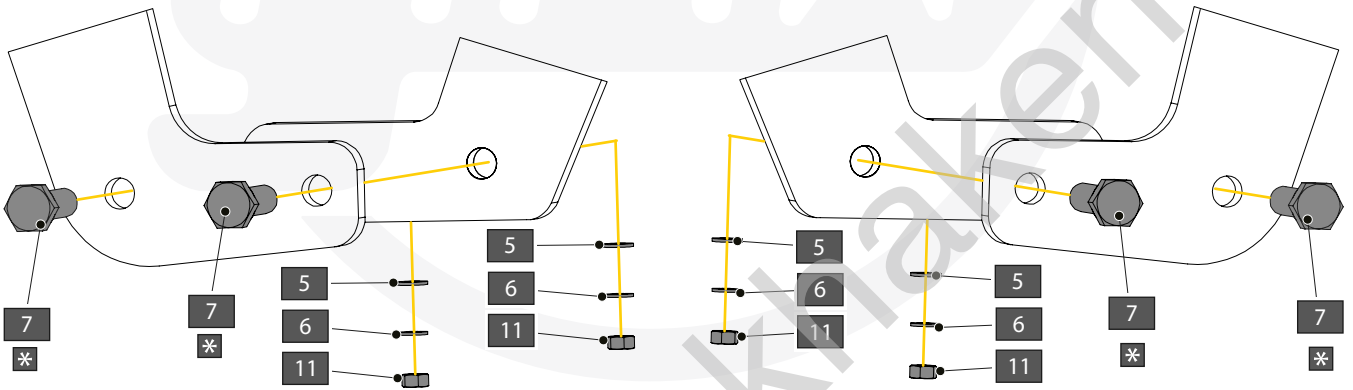
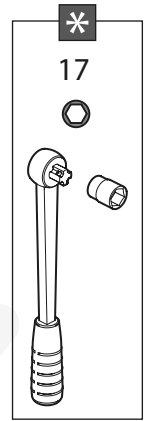




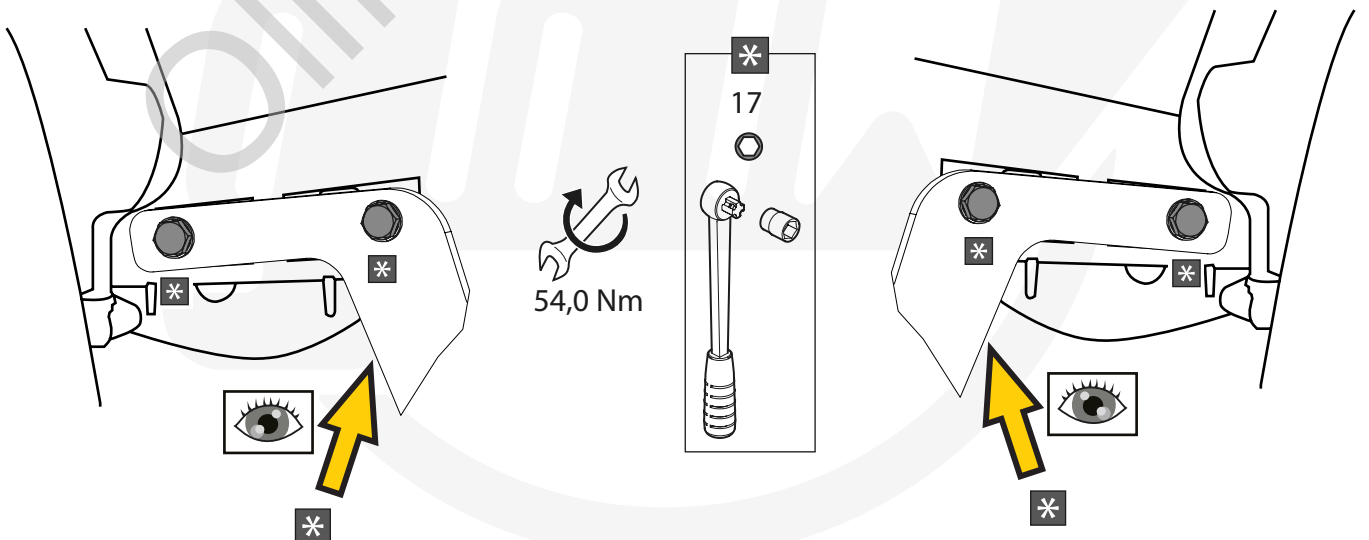
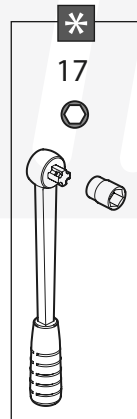


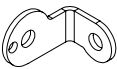




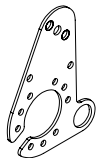
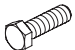


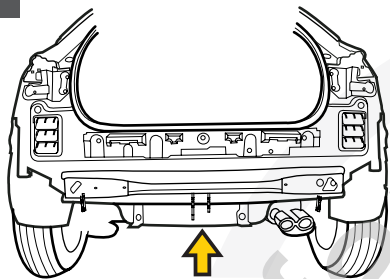
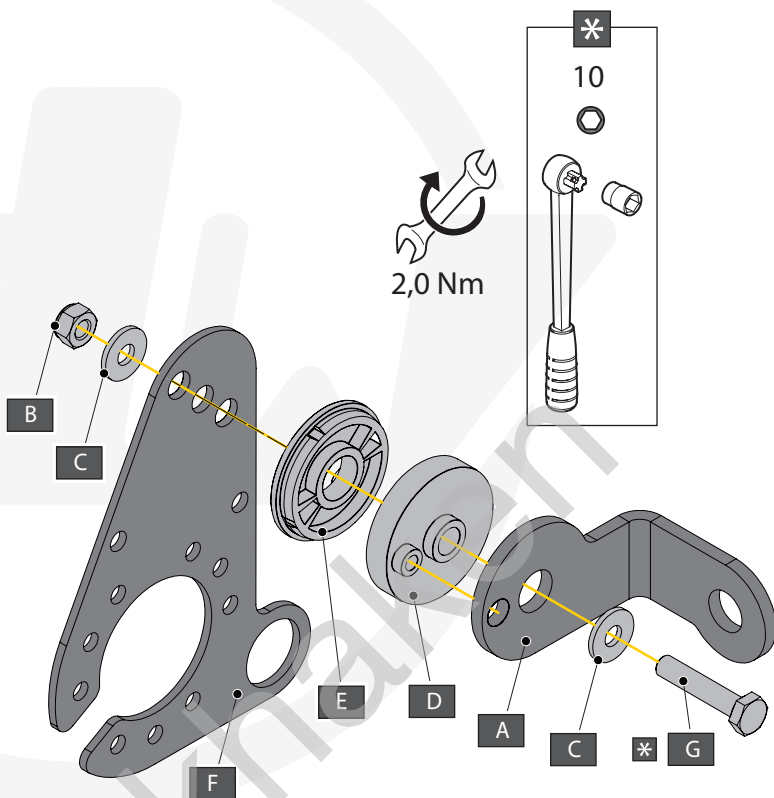
54,0 Nm

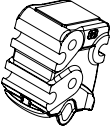






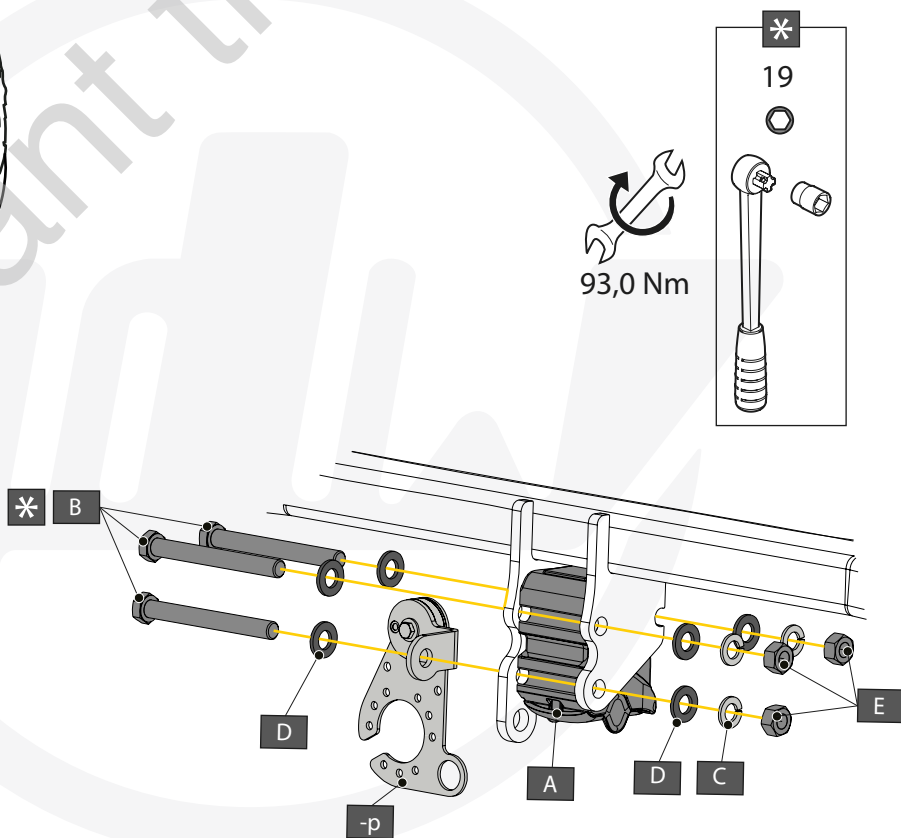
54,0 Nm



A		X1	GDW REF. 908.095
B		X1	DIN985-M6
C		X2	6,2 X 15,4 X 1,6 (NYLON)
D		X1	GDW REF. 718.16.002
E		X1	GDW REF. 718.16.003
F		X1	GDW REF. 908.094
G		X1	DIN933-M6 X 30



A		X1	GDW REF. 912.003
B		X3	DIN931-M12X110-8.8
C		X3	DIN128A-M12
D		X6	DIN125A-M12
E		X3	DIN934-M12



only for DS3-Crossback

