



Citroën C3 Aircross II Facelift

(type: 2R,2C)
06/'21-

✓ LIVE

✓ FEEL

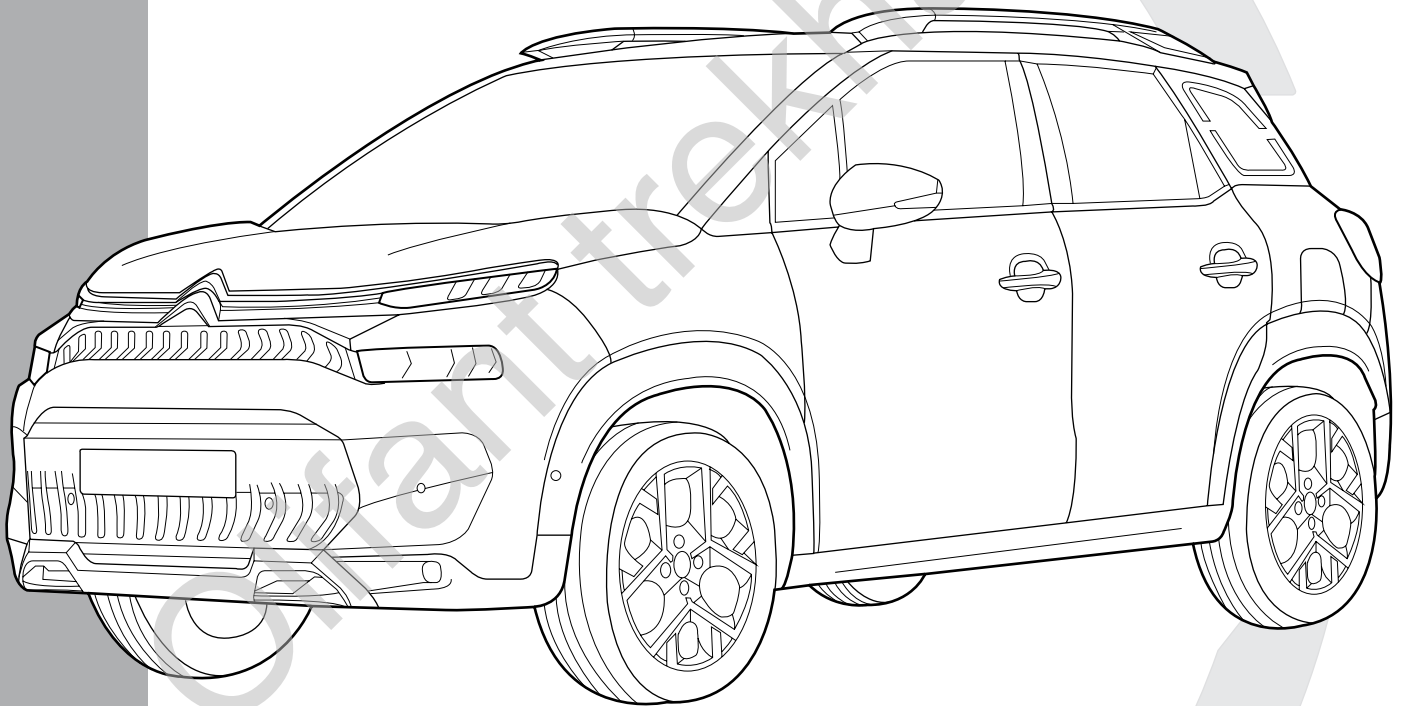
✓ SHINE

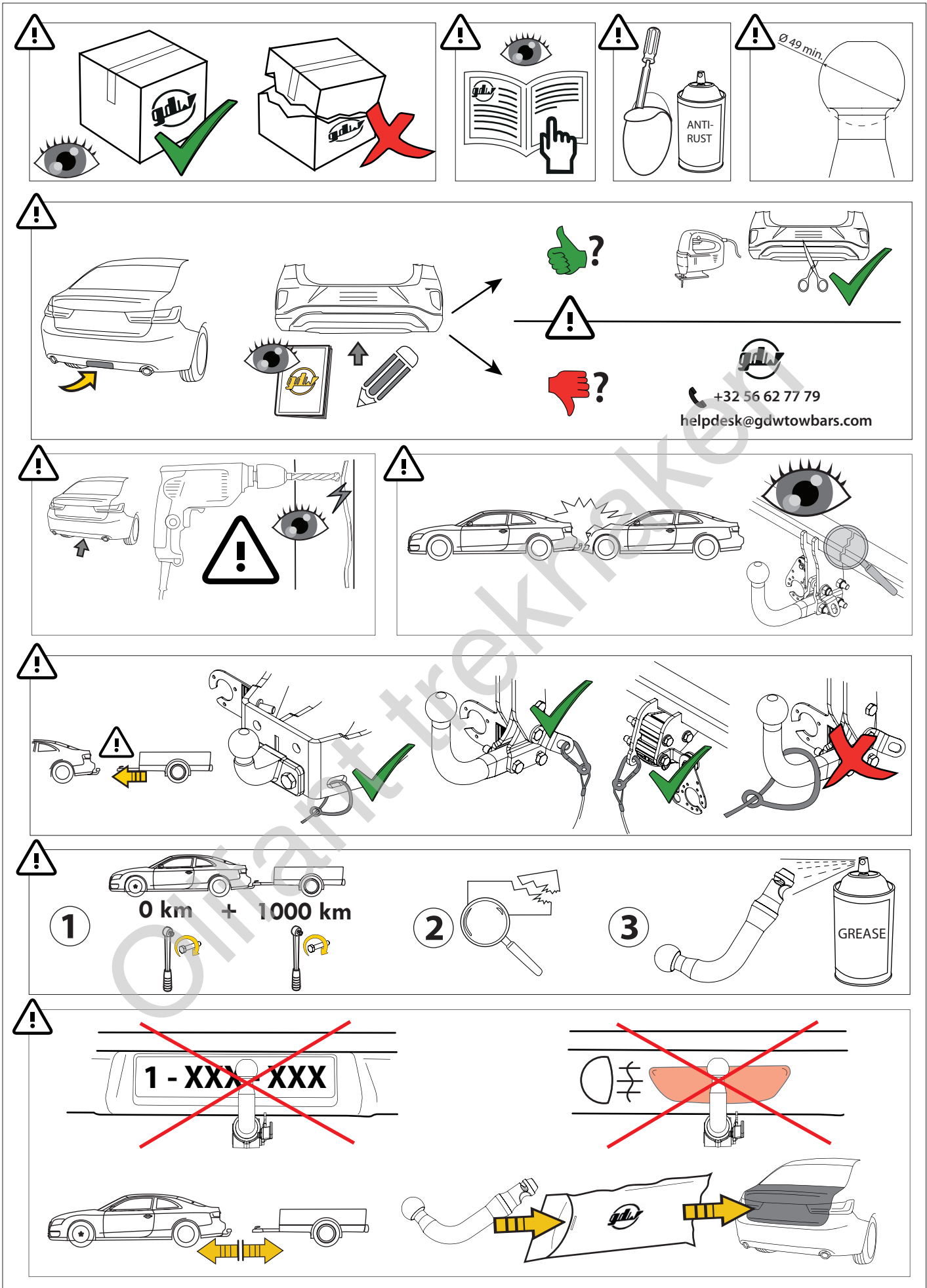
✗ BLUEHDI 120 s&s EAT 6 EQUIPED WITH:

- SLIDING REAR SEATS AND SPARE WHEEL

- SUNROOF

- SPARE WHEEL





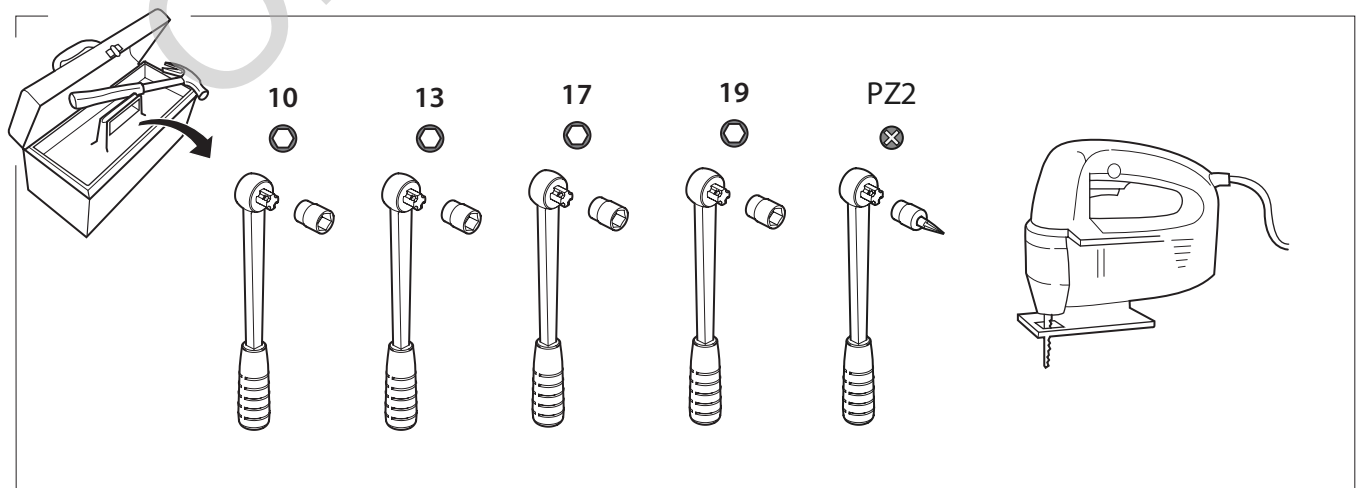
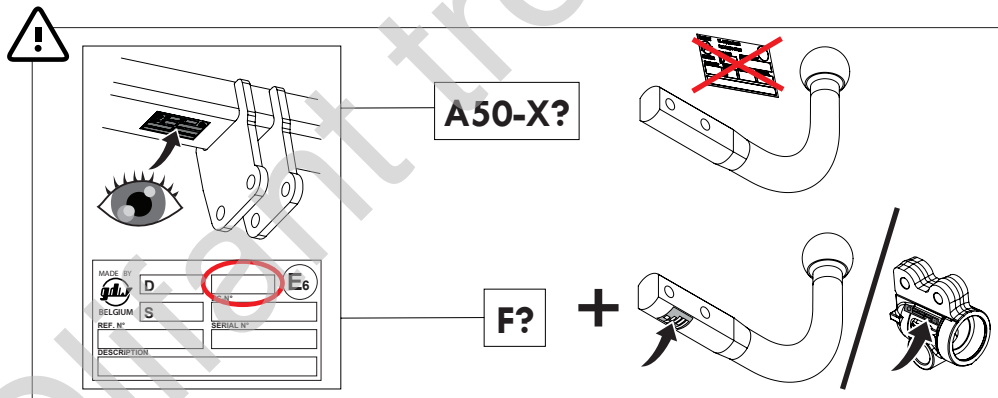
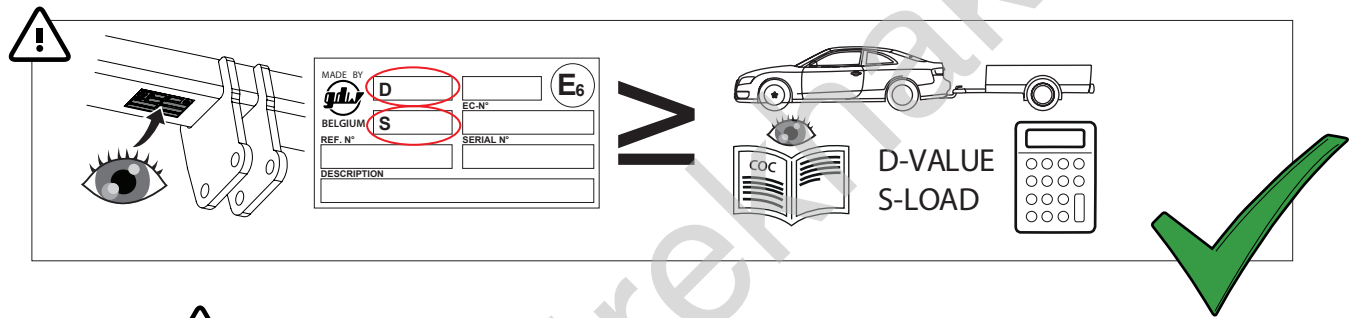
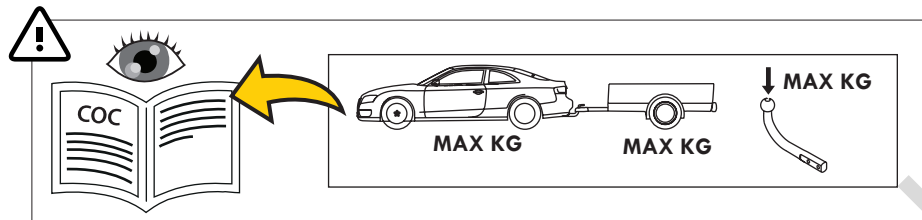
MADE BY 	D 7,00	F	E6
BELGIUM	S 85	EC-N° 55R-02 1694	
REF N° 2628T60		SERIAL N° XXXX	
DESCRIPTION Citroën C3 Aircross II Facelift			

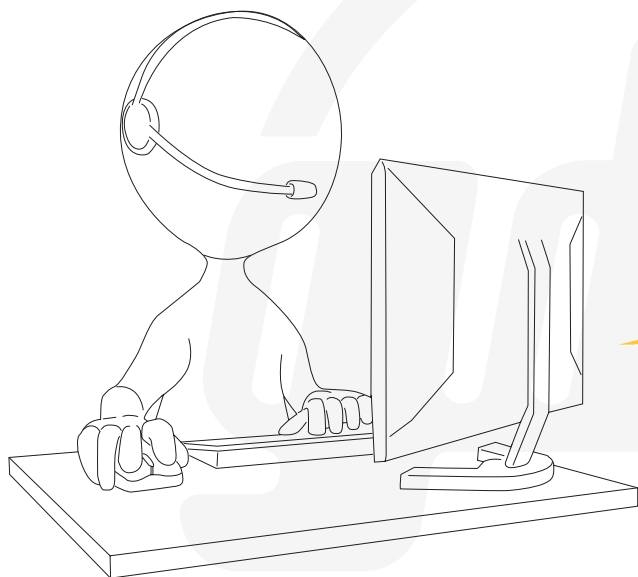
!

D = $\frac{\text{max kg (car)} \times \text{max kg (trailer)}}{\text{max kg (car)} + \text{max kg (trailer)}} \times 0.00981 \leq 7,00 \text{ kN}$

S = $\leq 85 \text{ kg}$ $\leq 1150 \text{ kg}$

See the Certificate Of Conformity (COC) of your vehicle or contact your dealer to verify the max. trailer weight of your car!

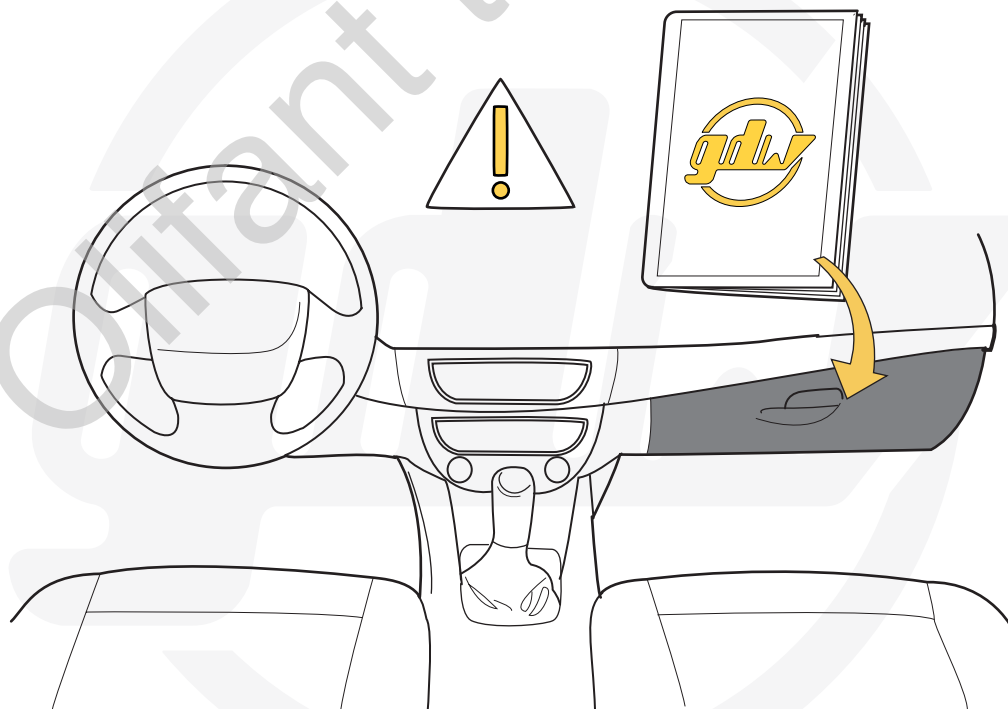


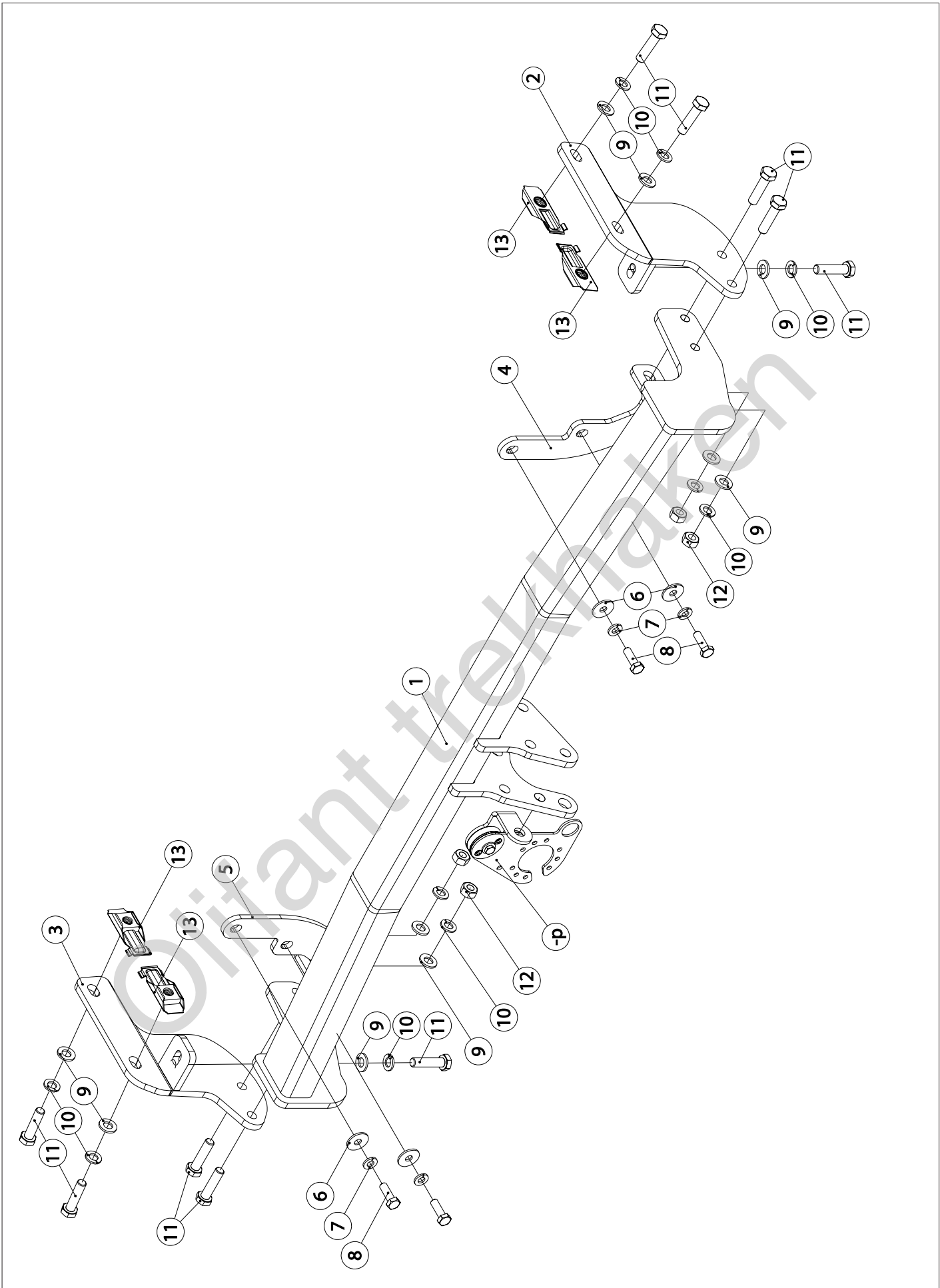


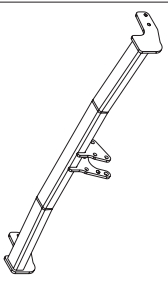
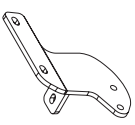
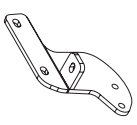
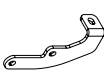
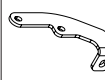
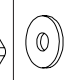
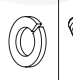
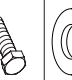
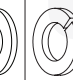
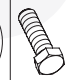
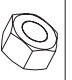


helpdesk@gdwtowbars.com

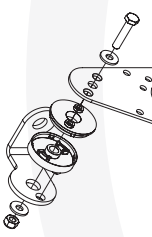




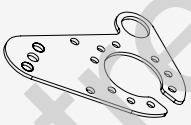


+32 56 62 77 79

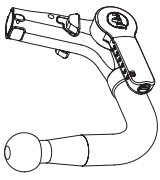

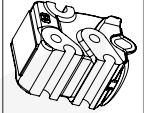


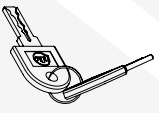


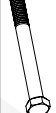

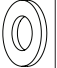
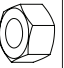
Monday	08:00 - 12:00	12:30 - 16:30
Tuesday	08:00 - 12:00	12:30 - 16:30
Wednesday	08:00 - 12:00	12:30 - 16:30
Thursday	08:00 - 12:00	12:30 - 16:30
Friday	08:00 - 12:00	12:30 - 15:30



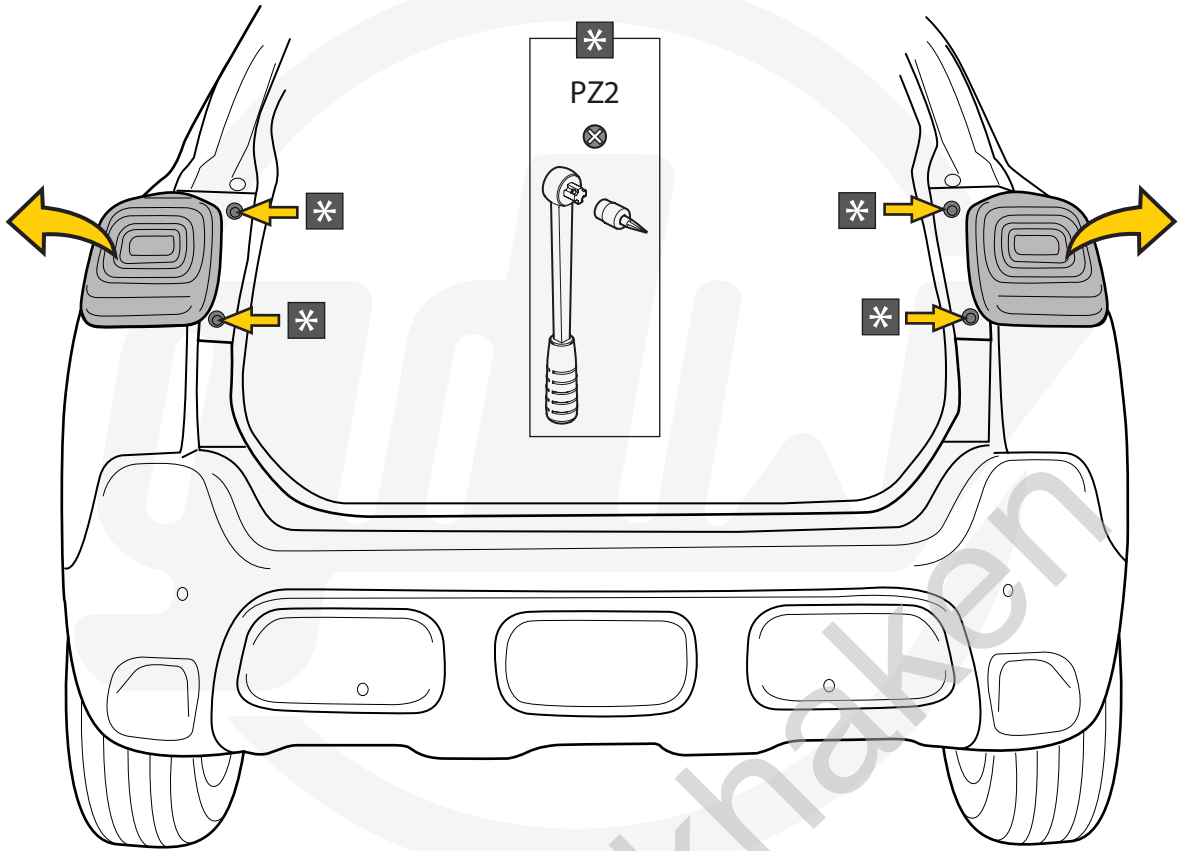


1		X1	GDW REF. 2628T60
2		X2	GDW REF. 2
3		X1	GDW REF. 3
4		X1	GDW REF. 4
5		X1	GDW REF. 5
6		X4	DIN9021-M8-ELVZ
7		X4	DIN128A-M8
8		X4	DIN933-M8X25
9		X10	DIN125-A10-140HV-ELVZ
10		X10	DIN128A-M10
11		X10	DIN933-M10X40
12		X4	DIN934-M10
13		X4	GDW REF. 13

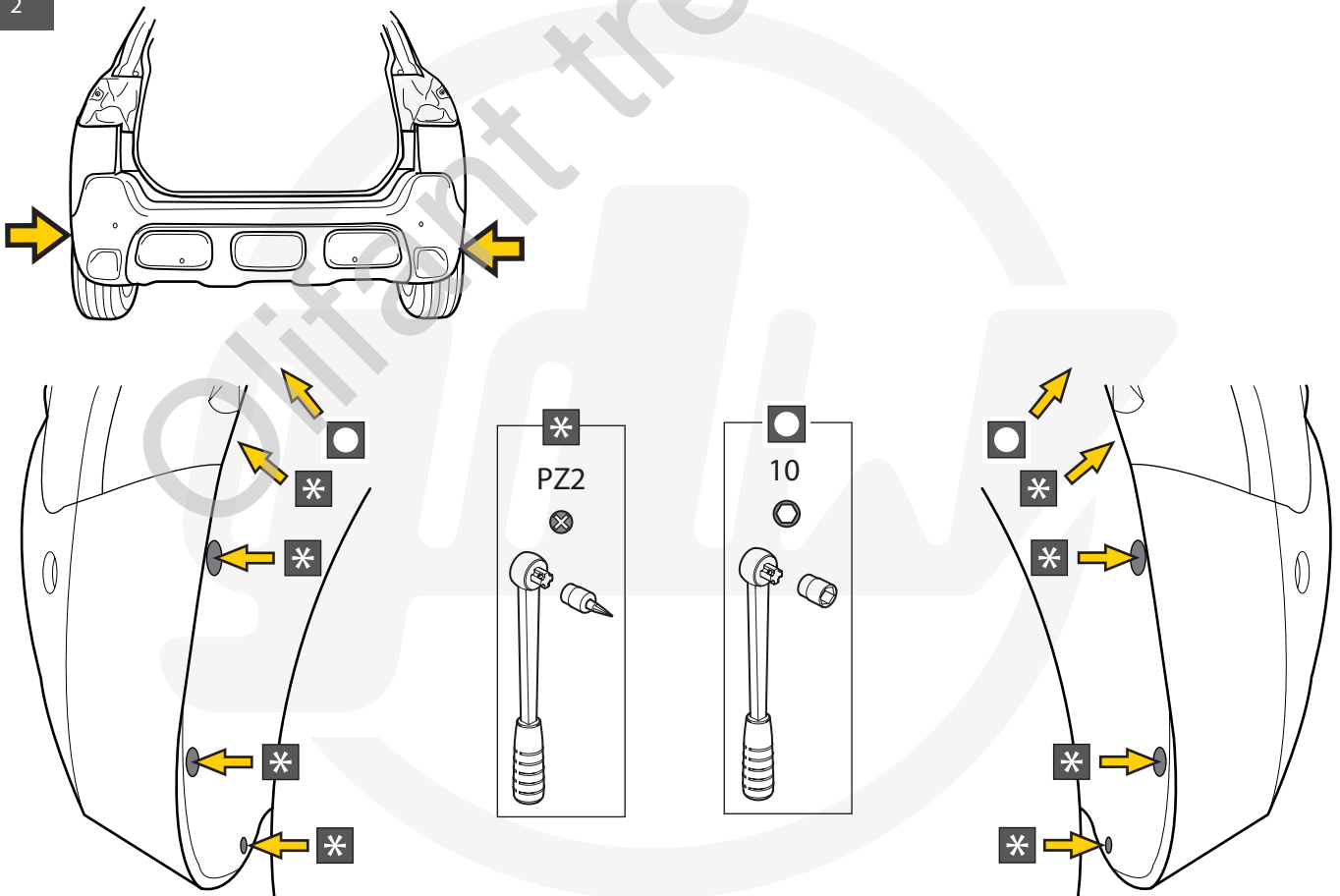
-P		X1	GDW REF. P39
↑		X1	DIN985-M6
↑		X2	6,2 X 15,4 X 1,6 (NYLON)
↑		X1	GDW REF. 718.16.002
↑		X1	GDW REF. 718.16.003
↑		X1	GDW REF. 908.094
↑		X1	DIN933-M6 X 30
↑		X1	GDW REF. 908.095

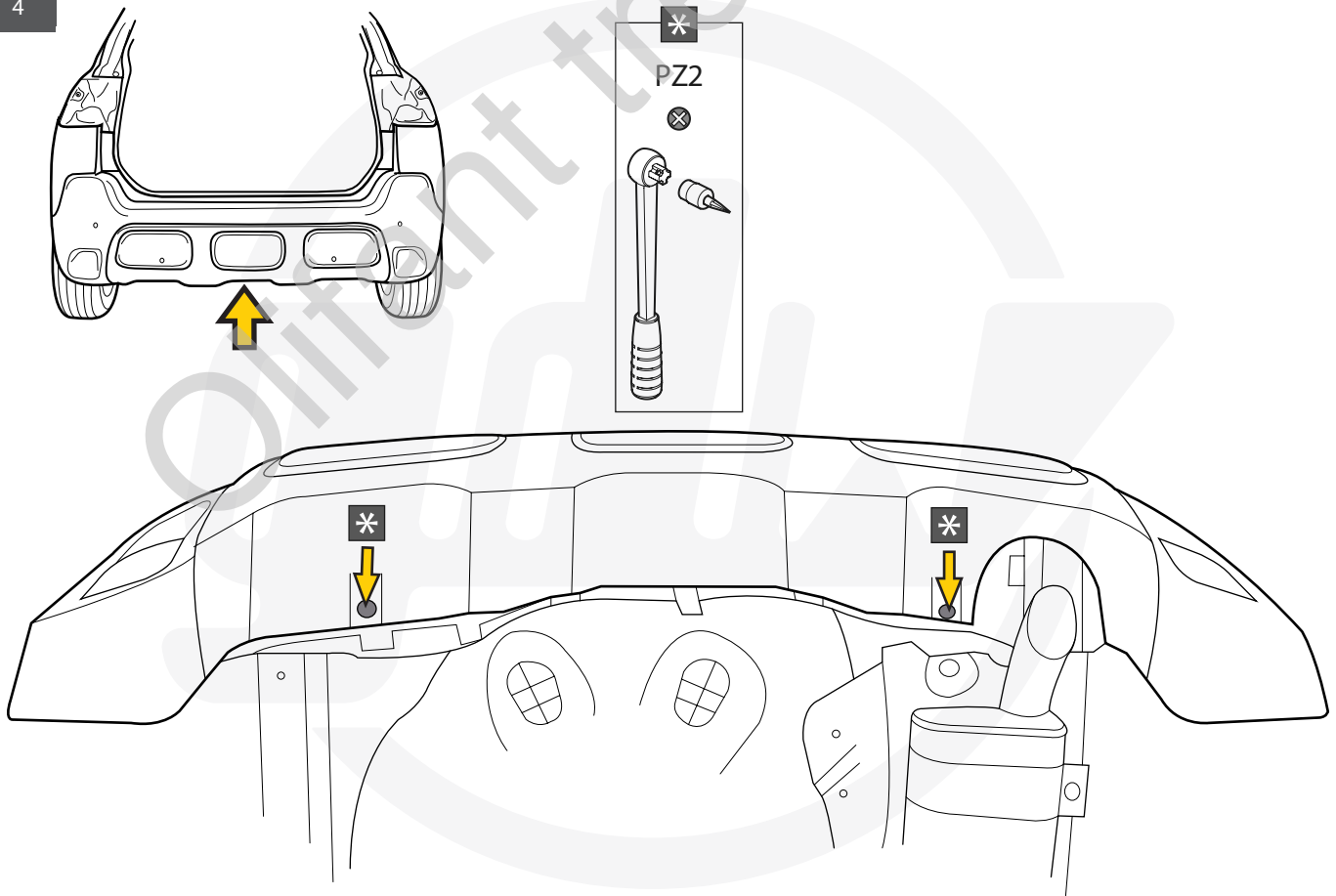
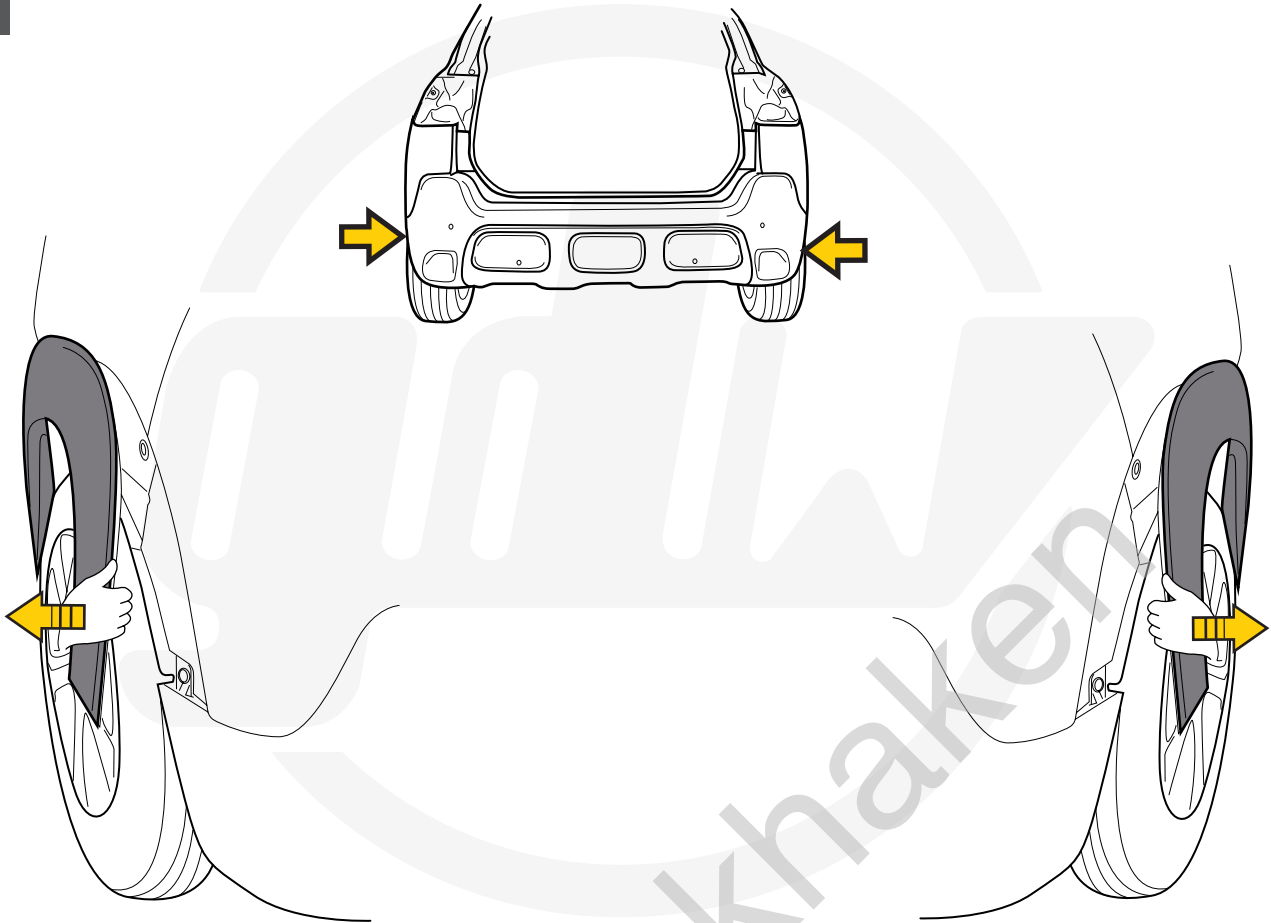
Geleverd met - Livré avec - Delivered with Geliefert mit - Elementos adjuntos-Leveres med		X1	GDW REF. 960.V0808
	↑ 	X1	GDW REF. 740.200
		X1	GDW REF. 912.003
	↑ 	X1	GDW REF. 740.112
	↑ 	X1	GDW REF. 740.111
		X1	GDW REF. 740.12X X= LAST NUMBER ON KEY
		X1	GDW REF. 718.15.001
		X1	GDW REF. SYST60-10
	↑ 	X3	DIN931-M12X110-8.8
	↑ 	X3	DIN128A-M12
	↑ 	X6	DIN125A-M12
	↑ 	X3	DIN934-M12

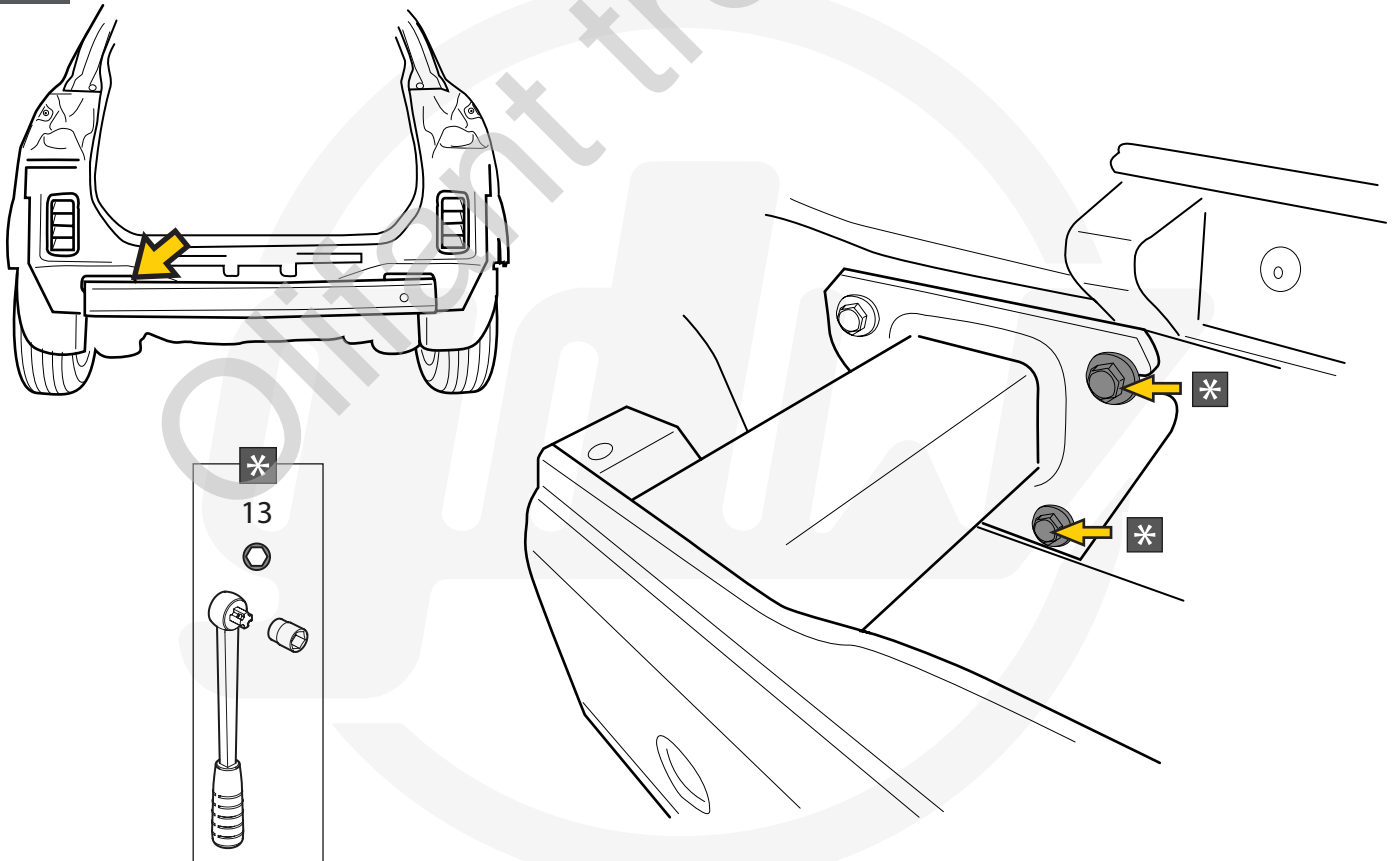
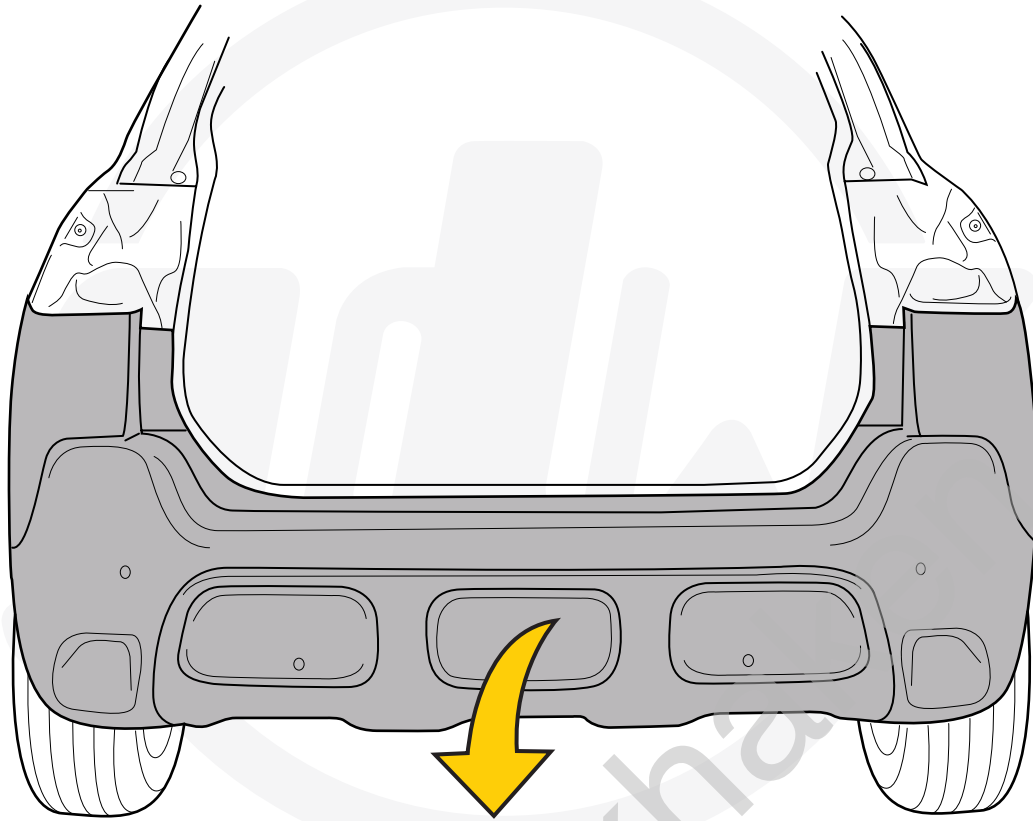
1



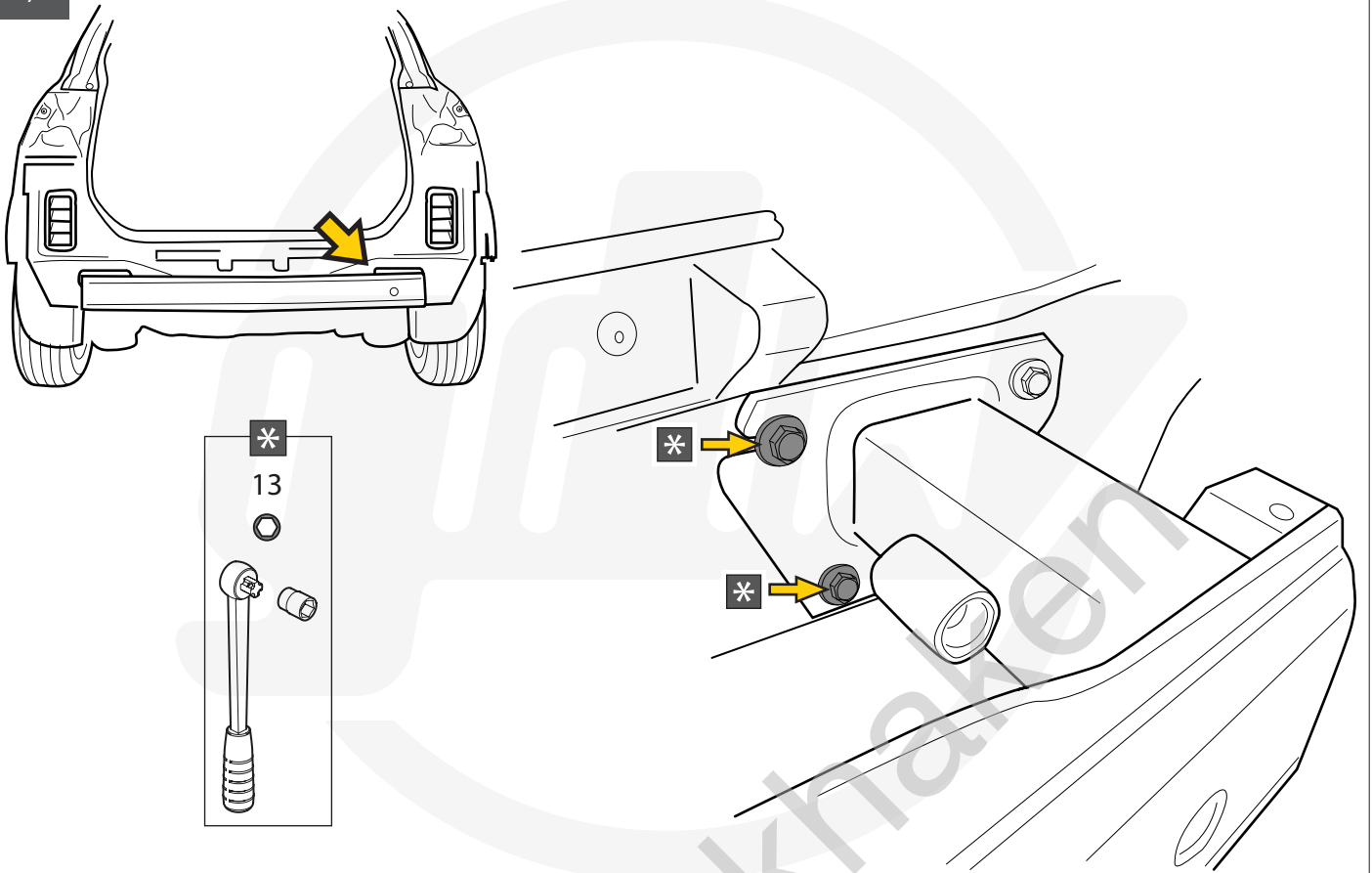
2



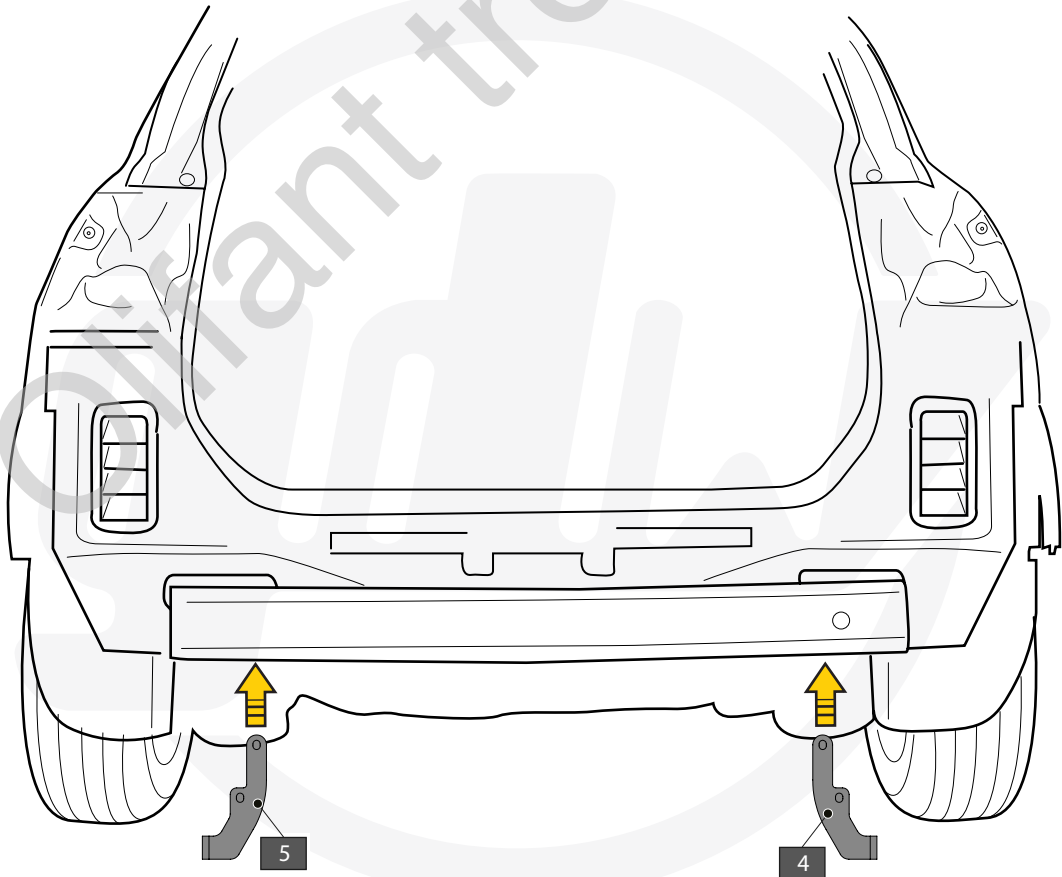




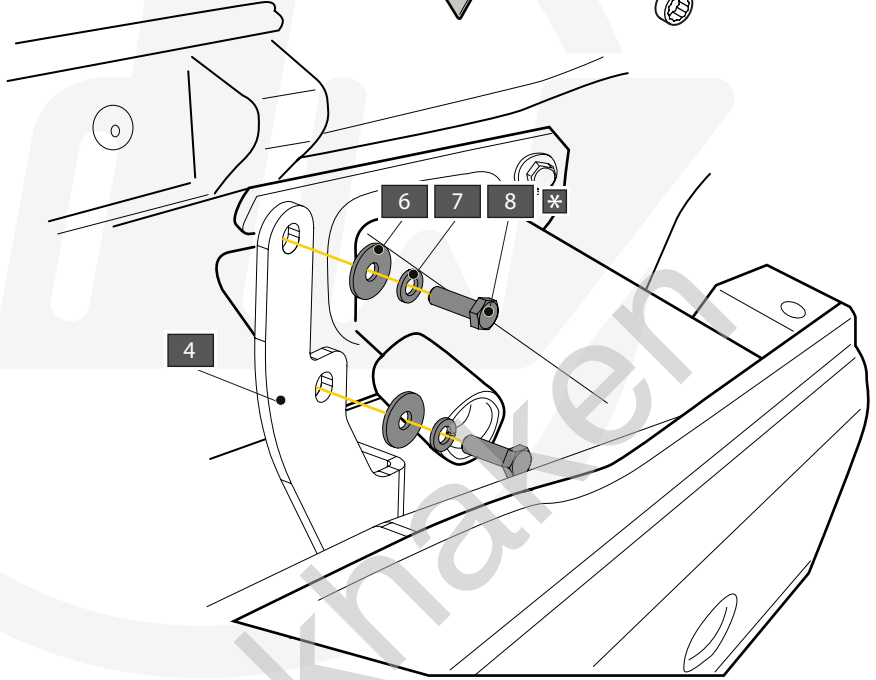
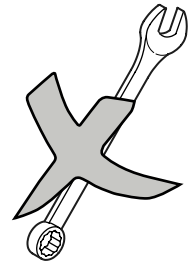
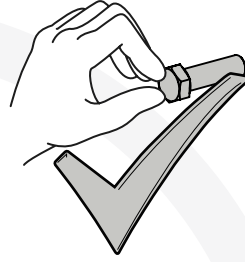
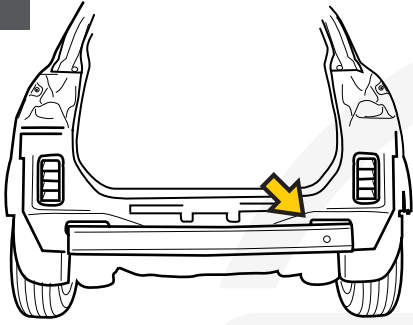
7



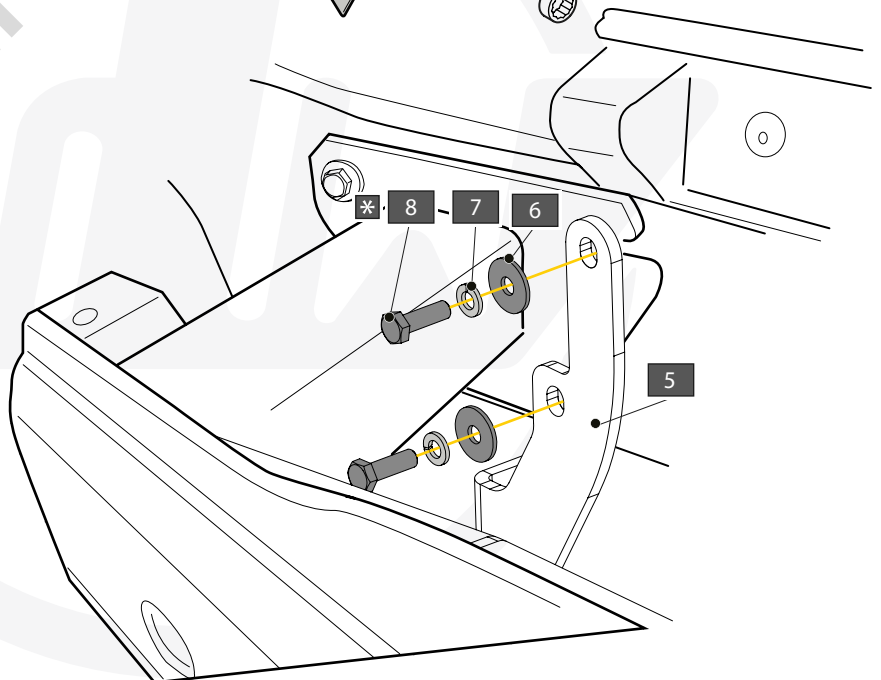
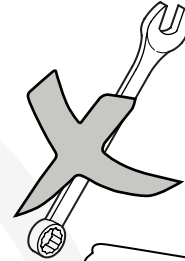
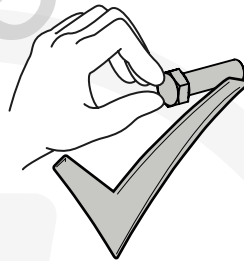
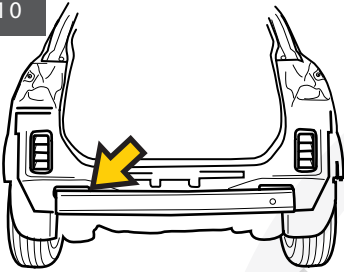
8

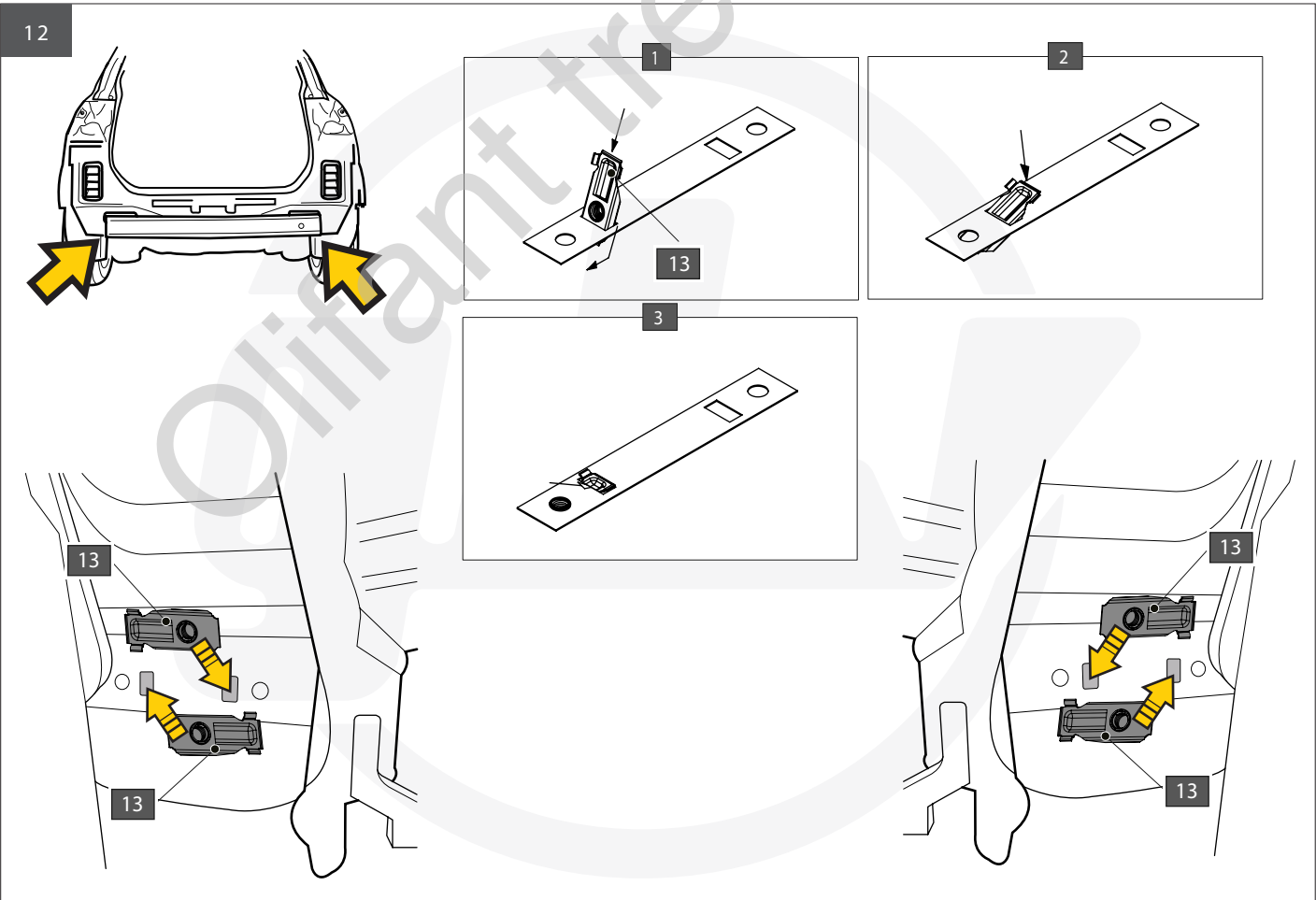
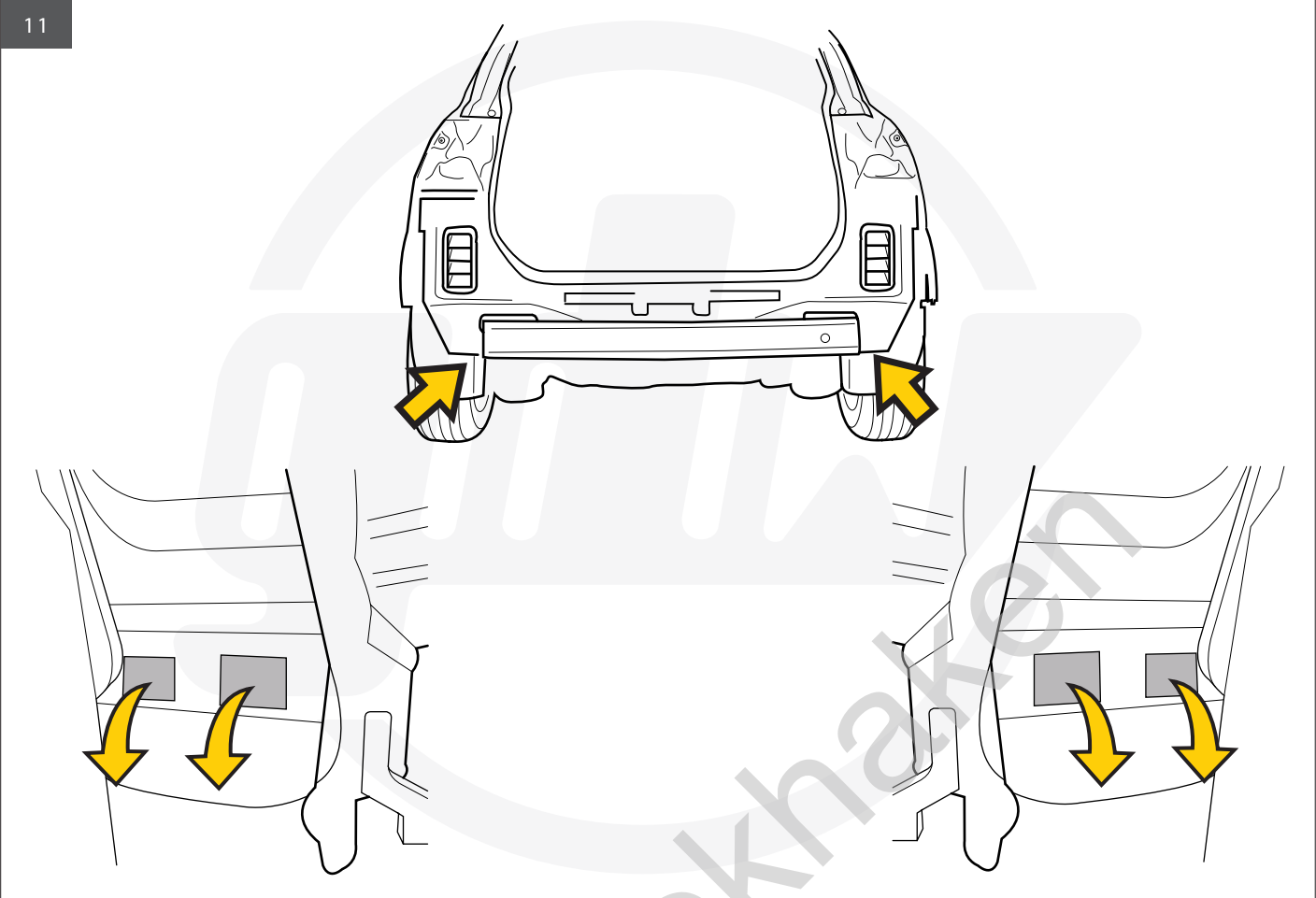


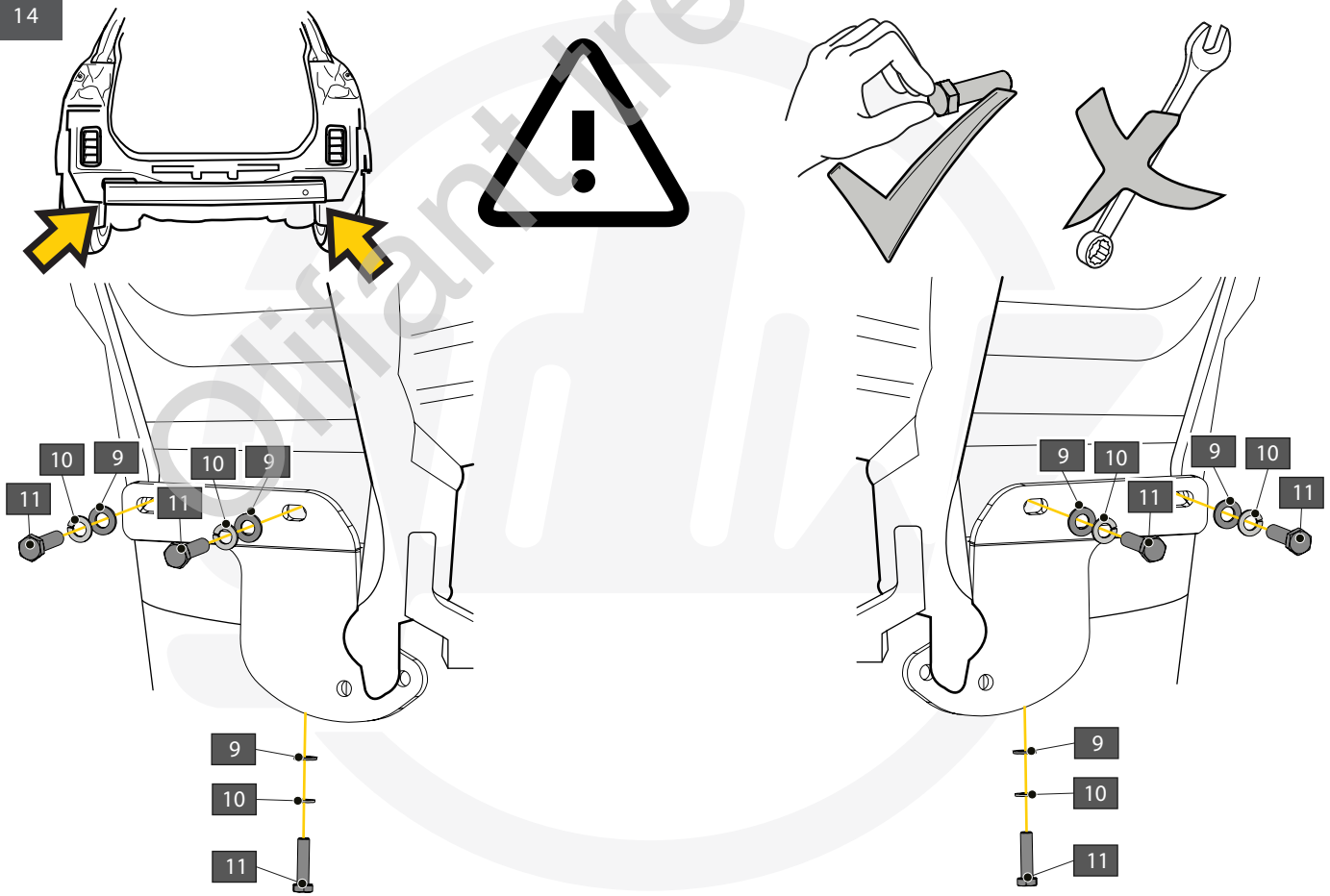
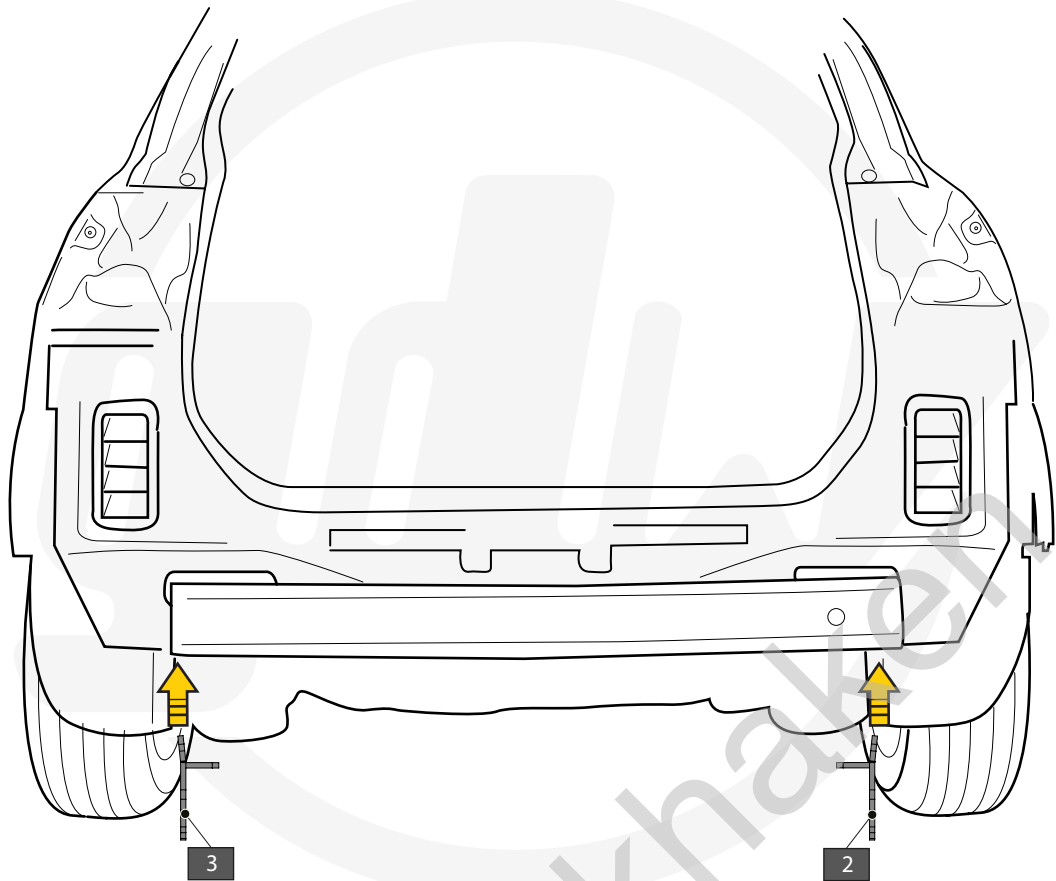
9

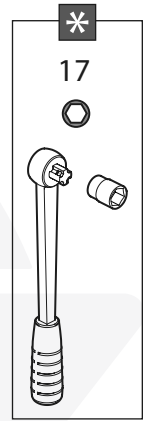
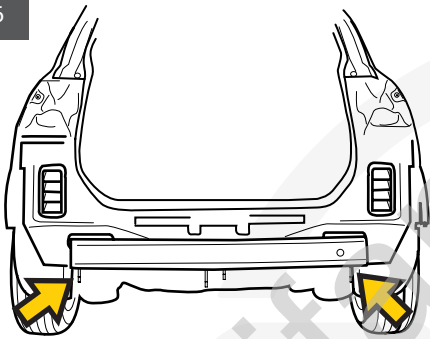
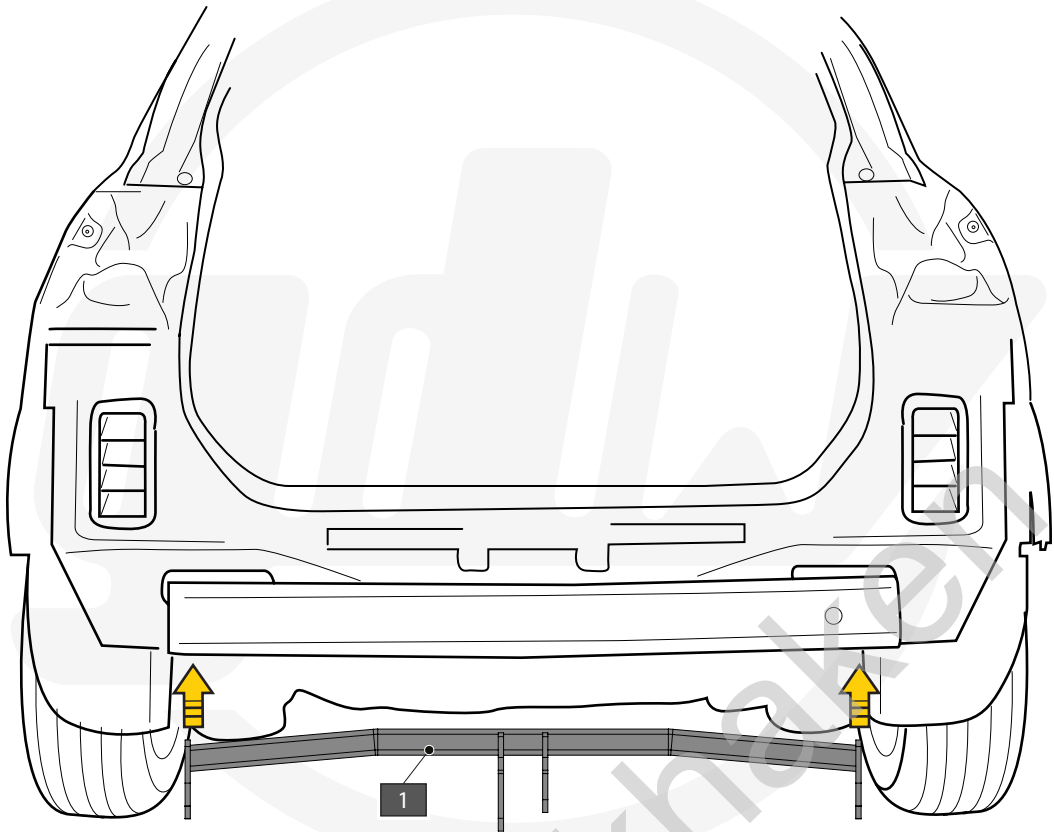


10

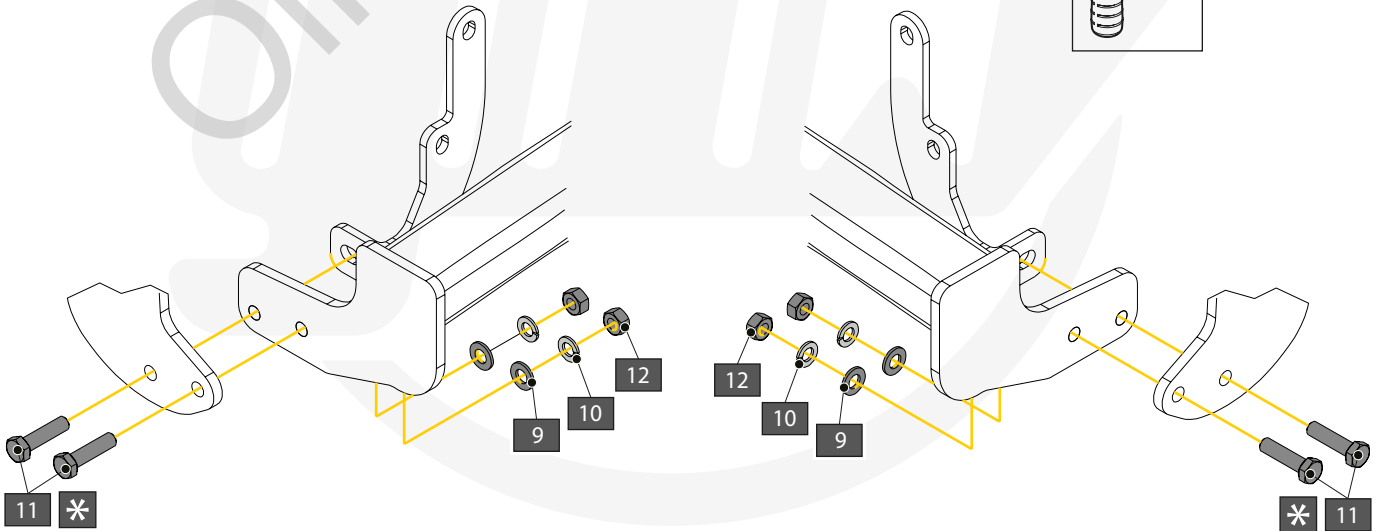


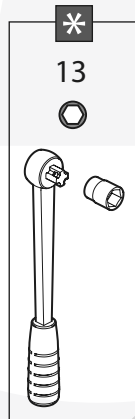
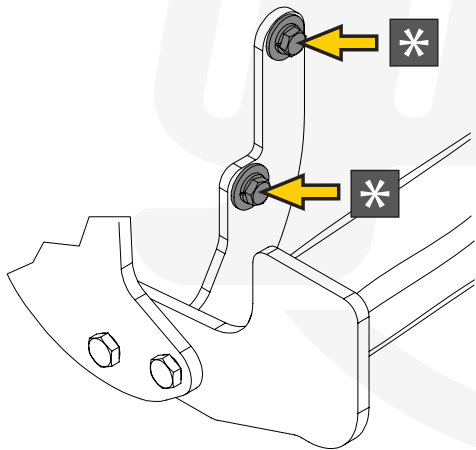
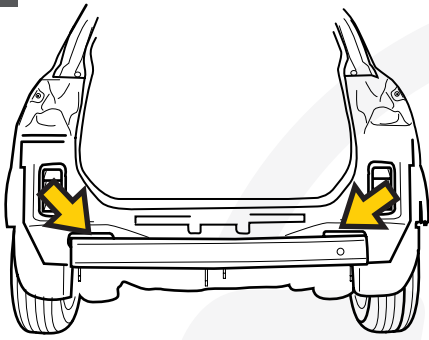




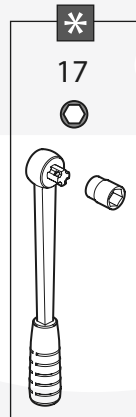
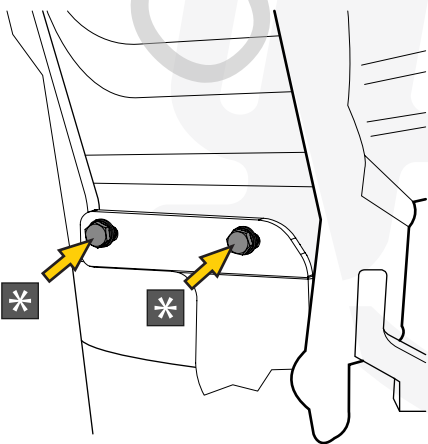
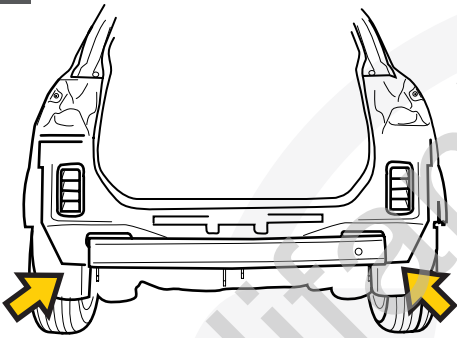
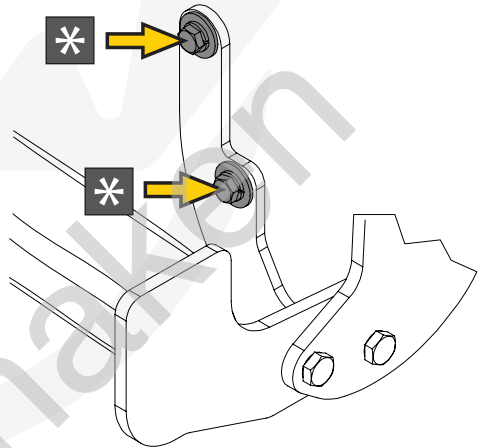


54,0 Nm

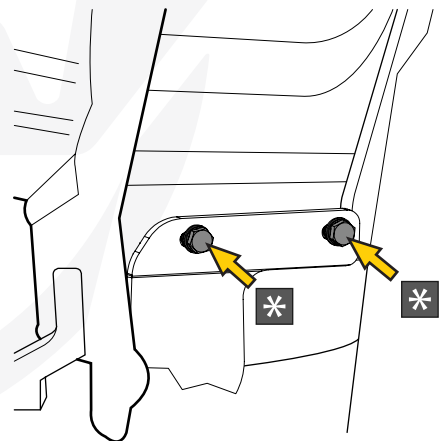


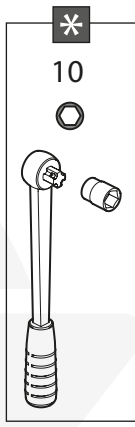
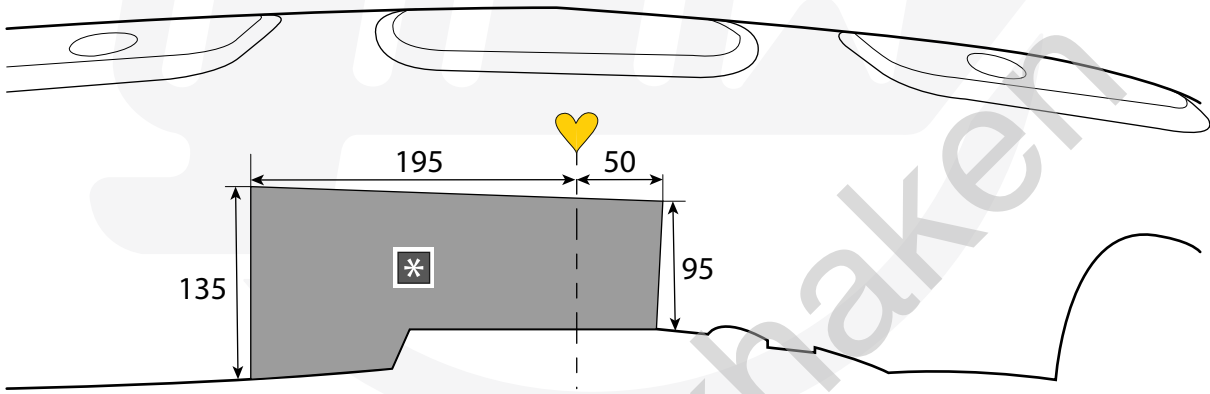
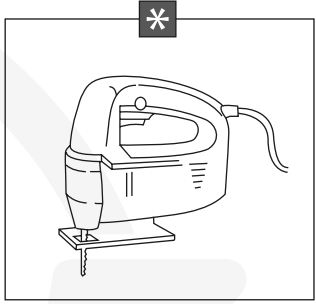



27,3 Nm

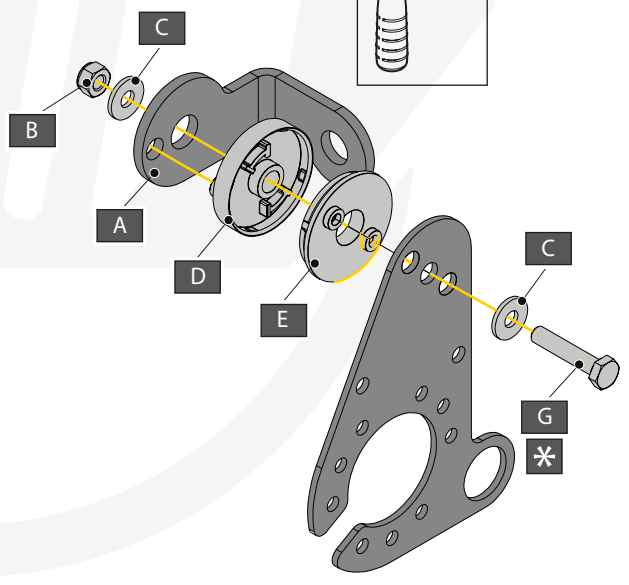


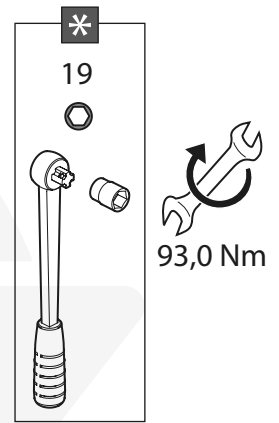
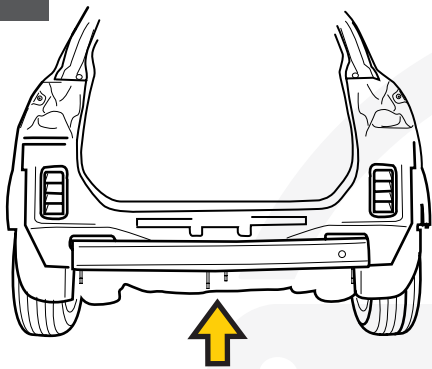

54,0 Nm

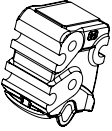








A		X1	GDW REF. 908.095
B		X1	DIN985-M6
C		X2	6,2 X 15,4 X 1,6 (NYLON)
D		X1	GDW REF. 718.16.002
E		X1	GDW REF. 718.16.003
F		X1	GDW REF. 908.094
G		X1	DIN933-M6 X 30





- | | | | |
|---|--|----|--------------------|
| A |  | X1 | GDW REF. 912.003 |
| B |  | X3 | DIN931-M12X110-8.8 |
| C |  | X3 | DIN128A-M12 |
| D |  | X6 | DIN125A-M12 |
| E |  | X3 | DIN934-M12 |

