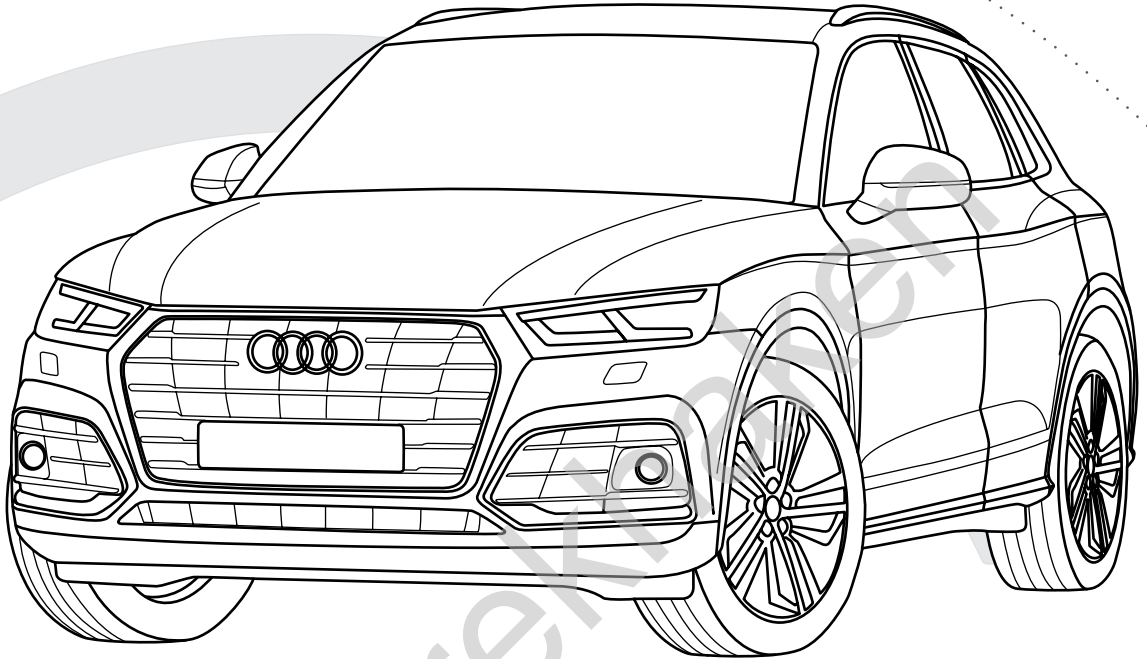




## Audi Q5 (type: FYB)

01/'17-

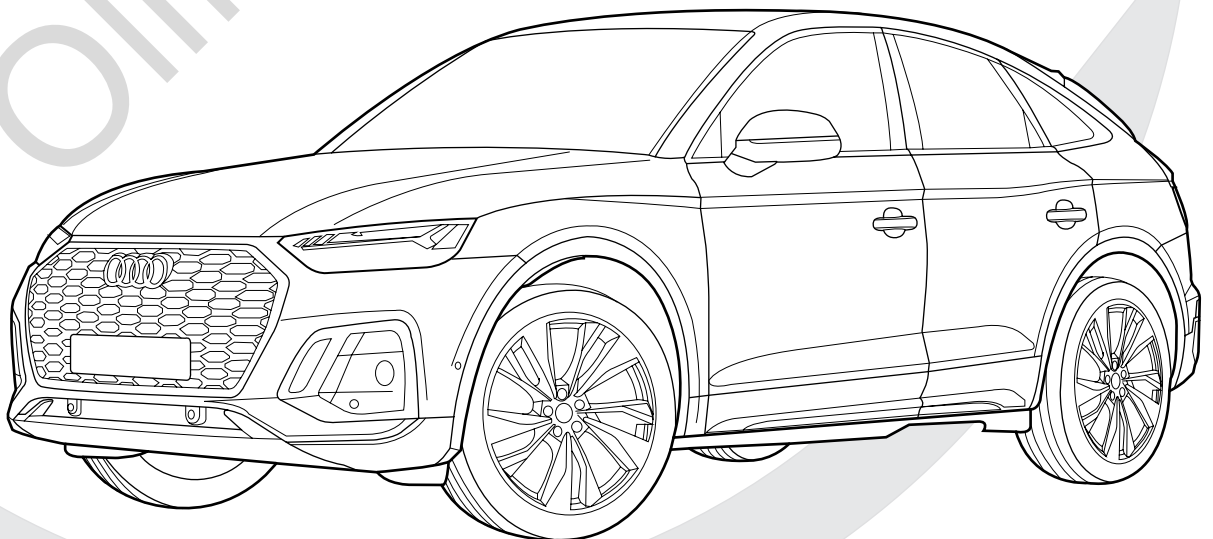
- ✓ S-LINE
- ✓ PLUG-IN HYBRID

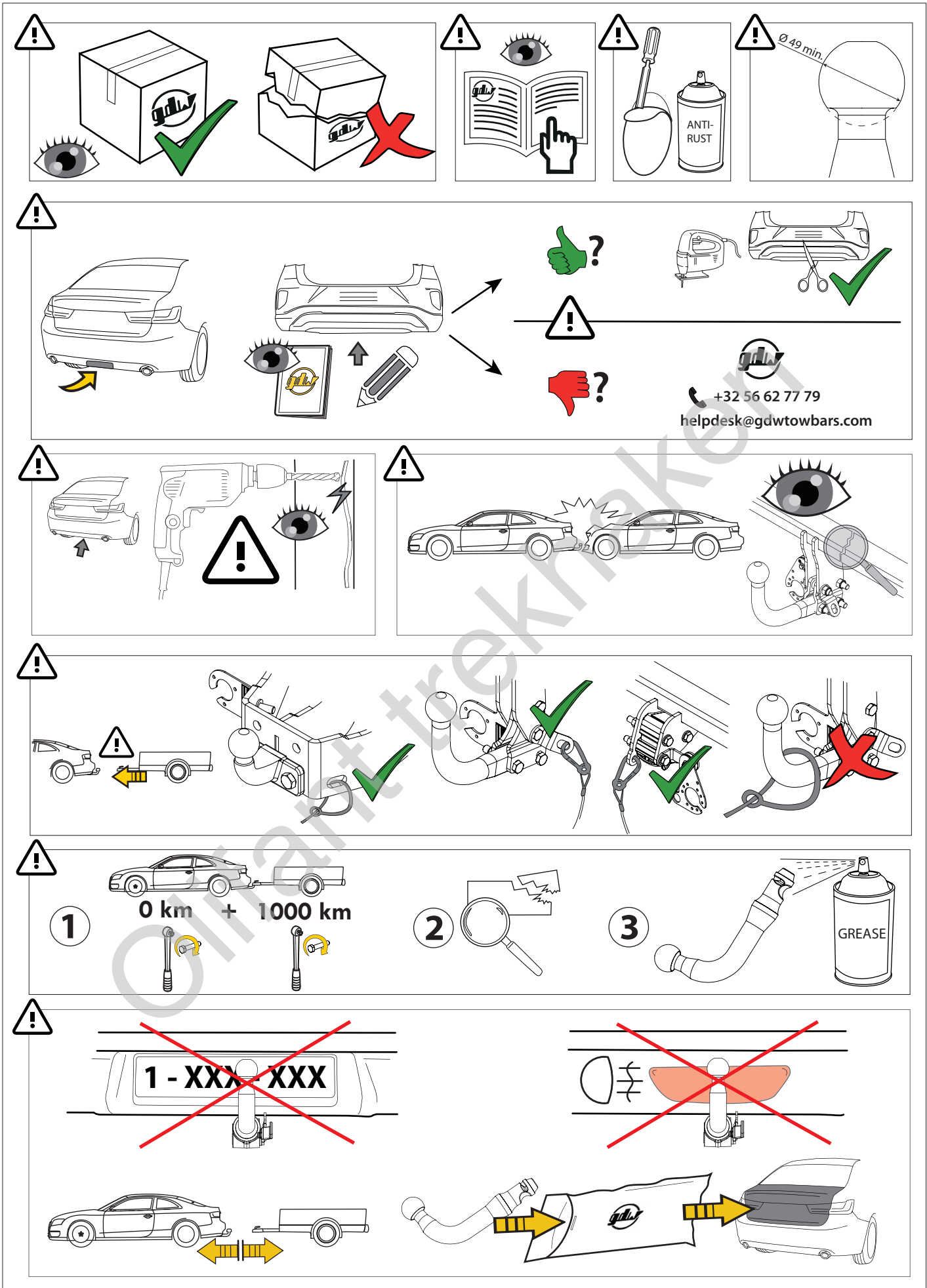


## Audi Q5 Sportback (type: FYT)


01/'17-


- ✓ S-LINE
- ✓ PLUG-IN HYBRID

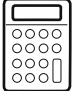




+32 56 62 77 79  
helpdesk@gdwtowbars.com

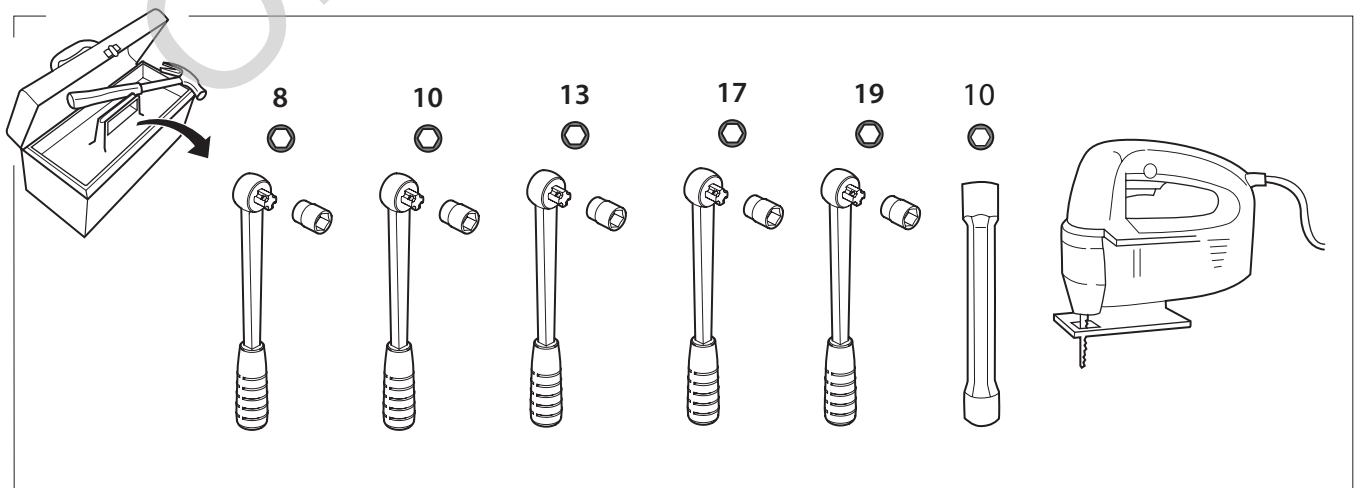
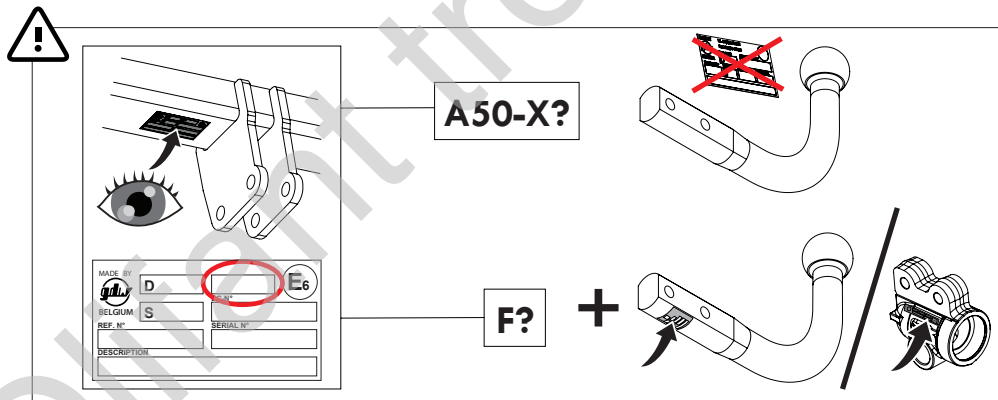
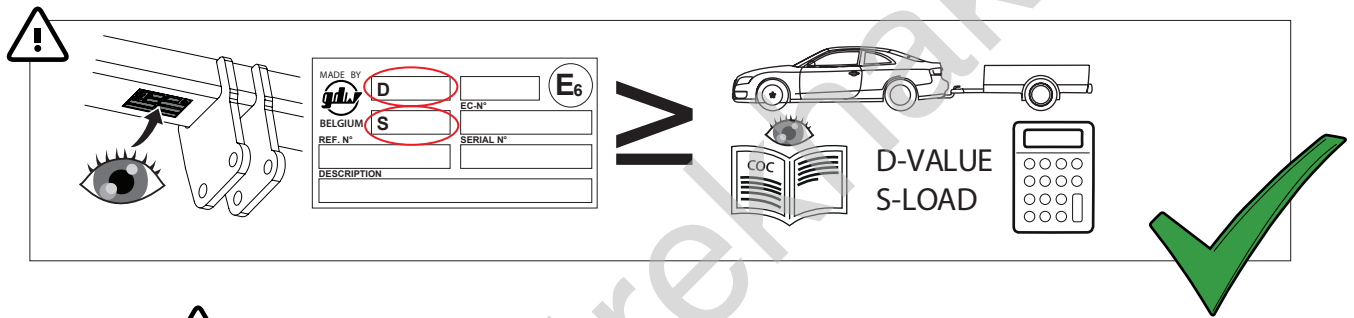
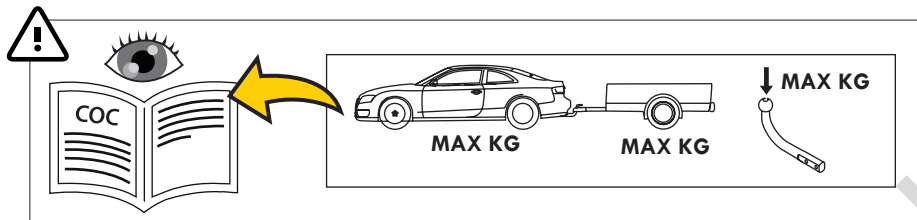
MADE BY 	<b>D 12,60</b>	<b>F</b>	<b>E6</b>
BELGIUM	<b>S 115</b>	EC-N° 55R-02 1718	
REF N° 2626T60		SERIAL N° XXXX	
<b>DESCRIPTION</b> Audi Q5			

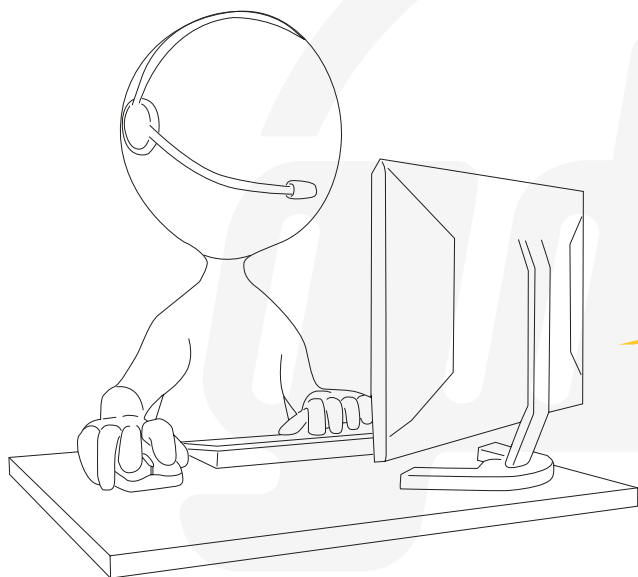


$$D = \frac{\text{max kg (car)} \times \text{max kg (trailer)}}{\text{max kg (car)} + \text{max kg (trailer)}} \times 0.00981 \leq 12,60 \text{ kN}$$


$$S = \begin{matrix} \leq 115 \text{ kg} \\ \leq 2400 \text{ kg} \end{matrix}$$

See the Certificate Of Conformity (COC) of your vehicle or contact your dealer to verify the max. trailer weight of your car!

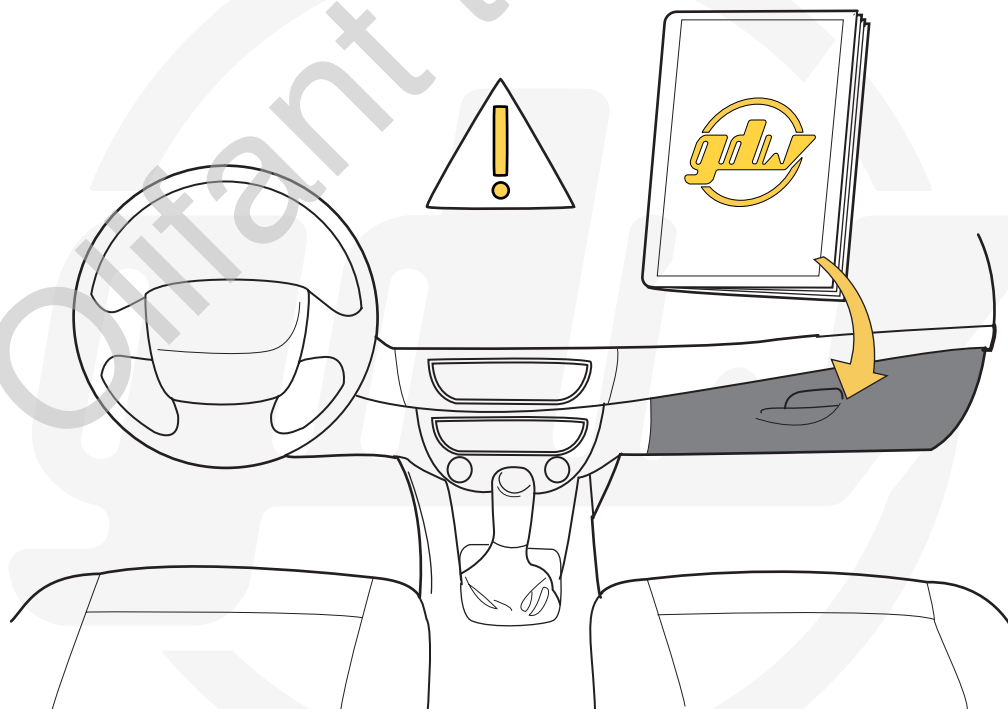


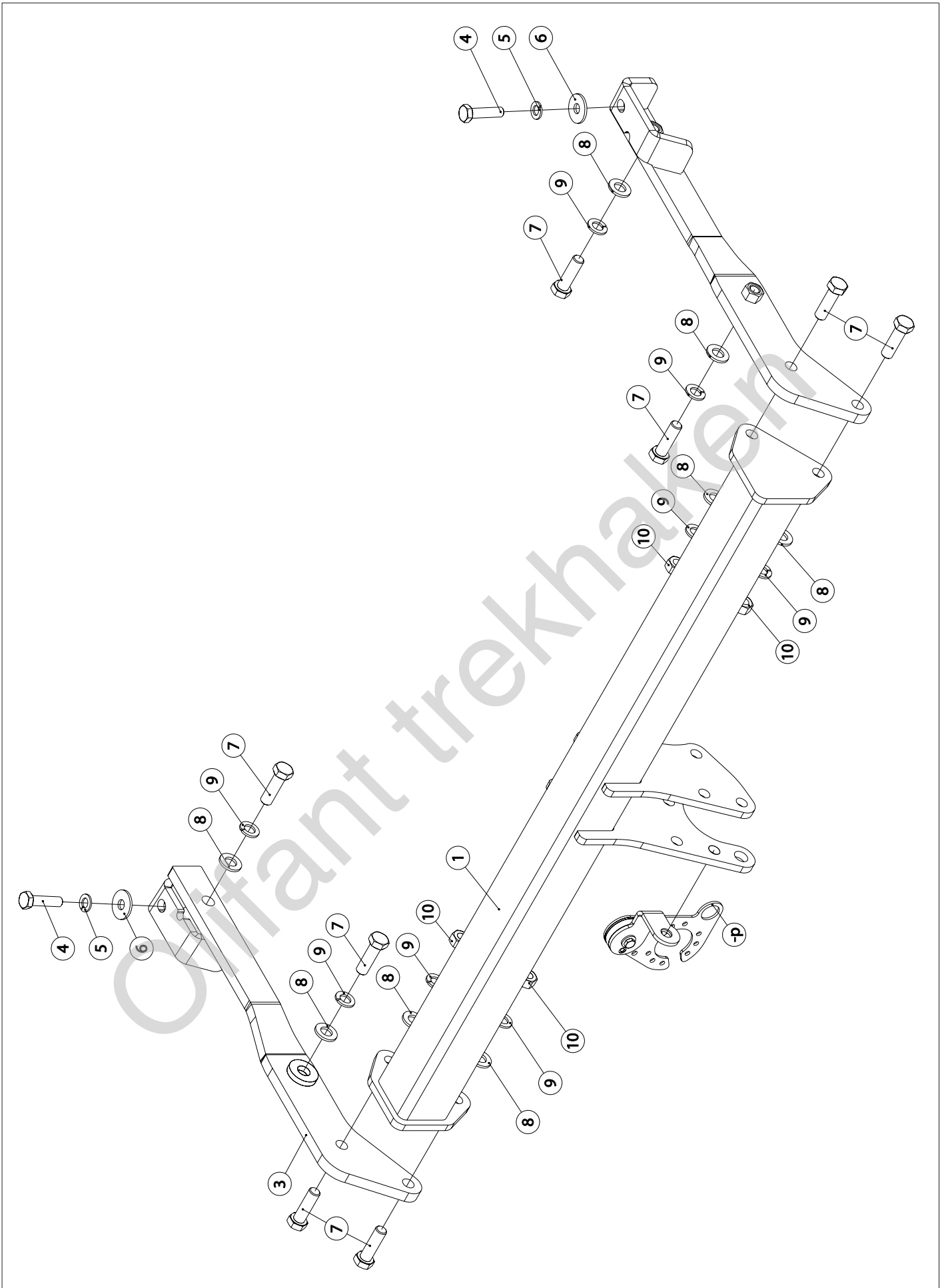


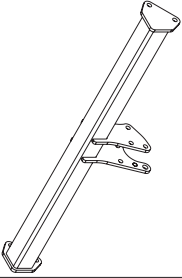
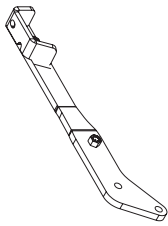
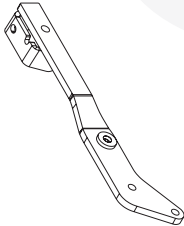







**helpdesk@gdwtowbars.com**

**+32 56 62 77 79**

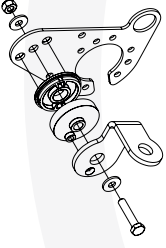

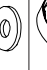


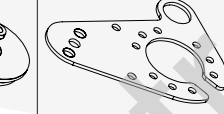


Monday	08:00 - 12:00	12:30 - 16:30
Tuesday	08:00 - 12:00	12:30 - 16:30
Wednesday	08:00 - 12:00	12:30 - 16:30
Thursday	08:00 - 12:00	12:30 - 16:30
Friday	08:00 - 12:00	12:30 - 15:30

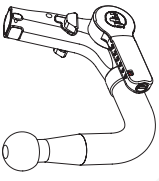
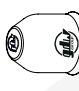
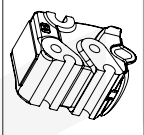


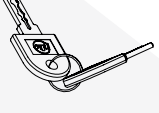

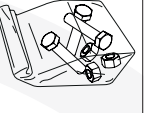


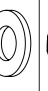





1		X1	GDW REF. 2625
2		X2	GDW REF. 2
3		X1	GDW REF. 3
4		X2	DIN933-M10x40_10.9
5		X2	DIN128A-M10
6		X2	DIN9021-M10-ELVZ
7		X8	DIN933-M12x40_10.9
9		X8	DIN125-A12-140HV-ELVZ
10		X8	DIN128A-M12
12		X4	DIN934-M12-KL10

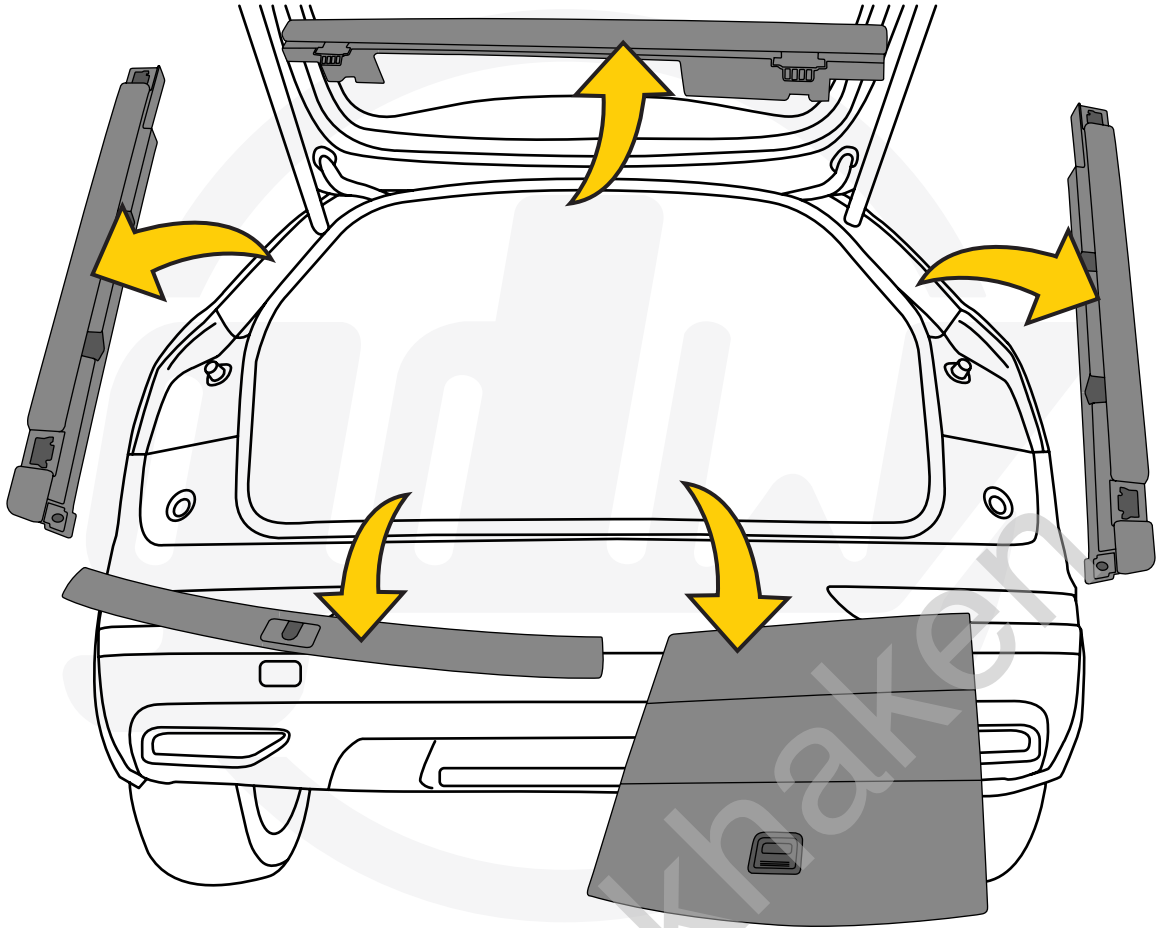
\* \* \*

-P		X1	GDW REF. P39
↑		X1	DIN985-M6
↑		X2	6,2 X 15,4 X 1,6 (NYLON)
↑		X1	GDW REF. 718.16.002
↑		X1	GDW REF. 718.16.003
↑		X1	GDW REF. 908.094
↑		X1	DIN933-M6 X 30
↑		X1	GDW REF. 908.095

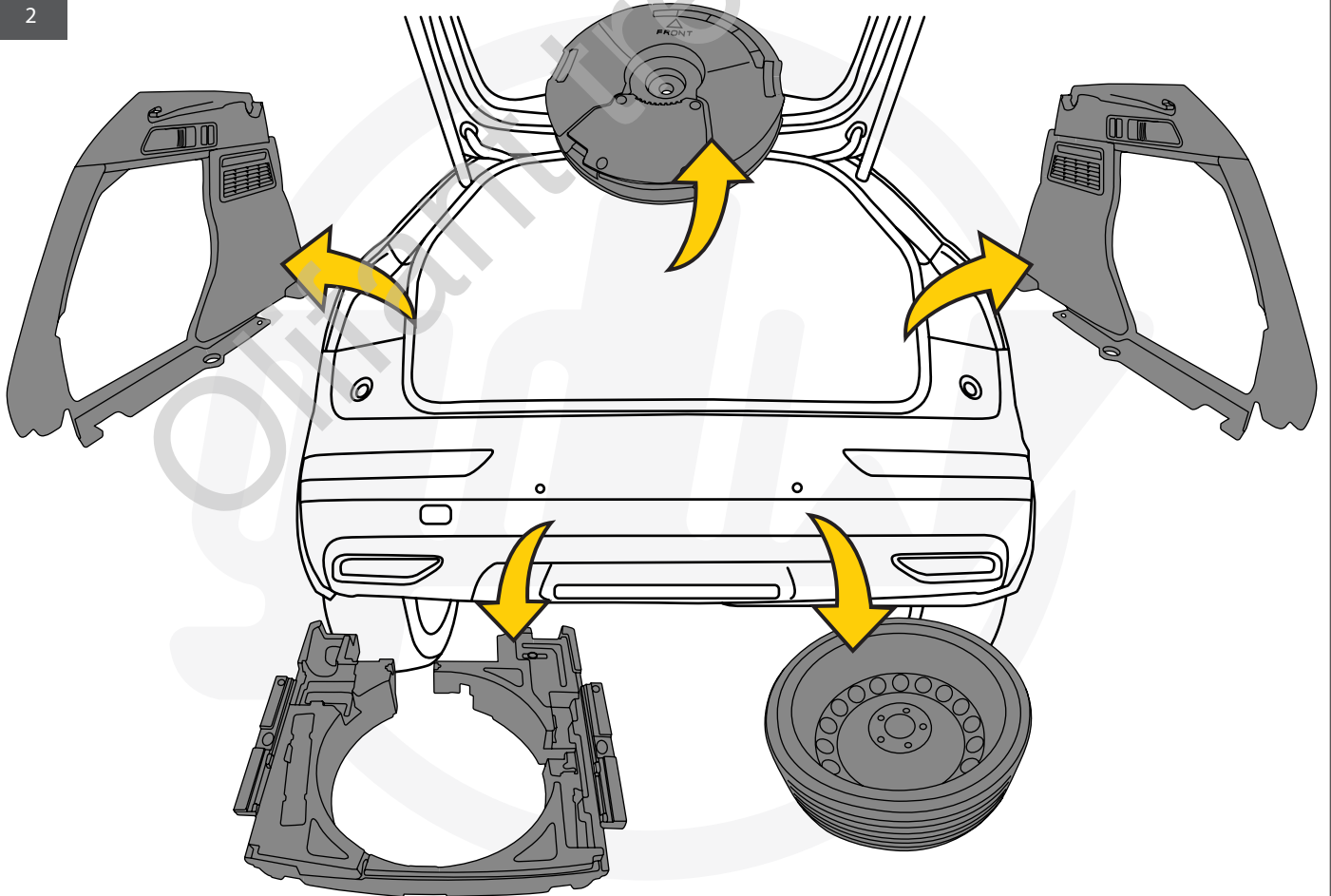
Geleverd met - Livré avec - Delivered with Geliefert mit - Elementos adjuntos-Leveres med		X1	GDW REF. 960.V0604
	↑ 	X1	GDW REF. 740.200
		X1	GDW REF. 912.003
	↑ 	X1	GDW REF. 740.112
	↑ 	X1	GDW REF. 740.111
		X1	GDW REF. 740.12X X= LAST NUMBER ON KEY
		X1	GDW REF. 718.15.001
		X1	GDW REF. SYST60-10
	↑ 	X3	DIN931-M12X110-8.8
	↑ 	X3	DIN128A-M12
	↑ 	X6	DIN125A-M12
	↑ 	X3	DIN934-M12

\*  
ONLY FOR PLUG-IN HYBRID

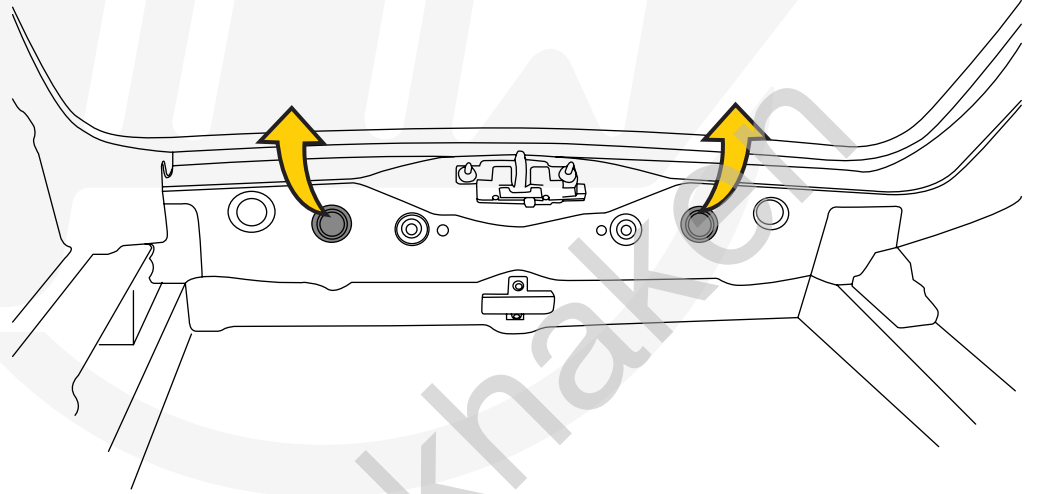
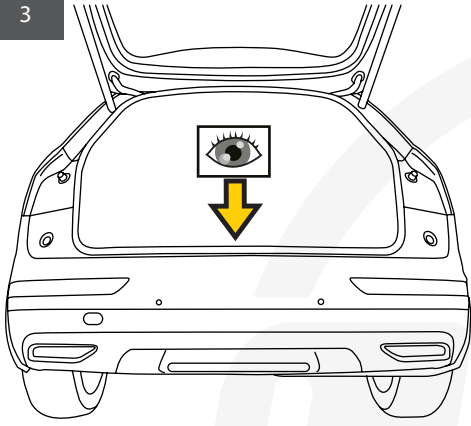
1



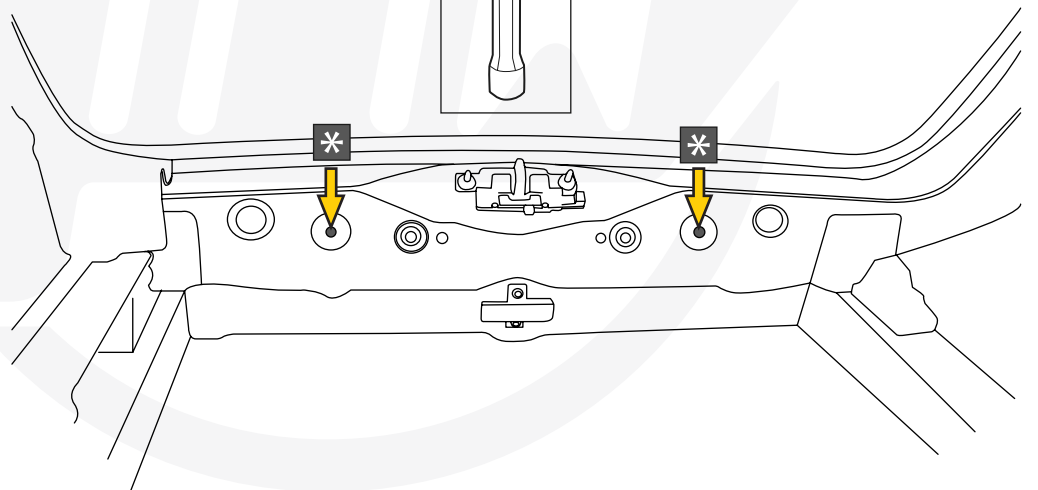
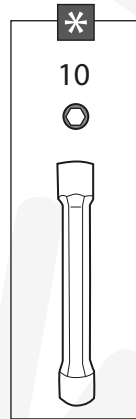
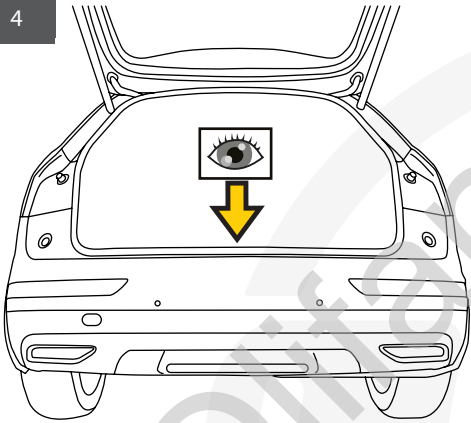
2



3



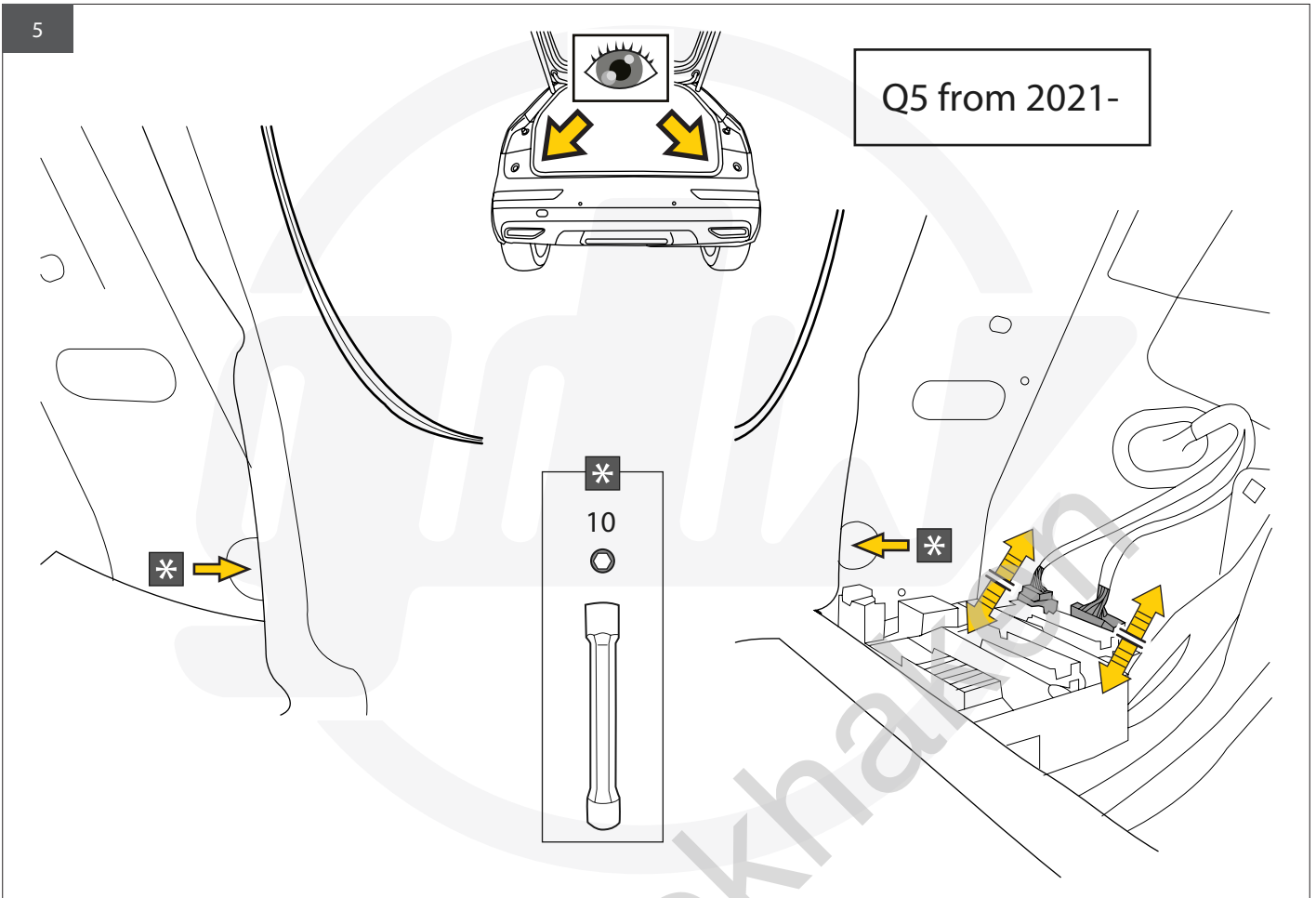
4





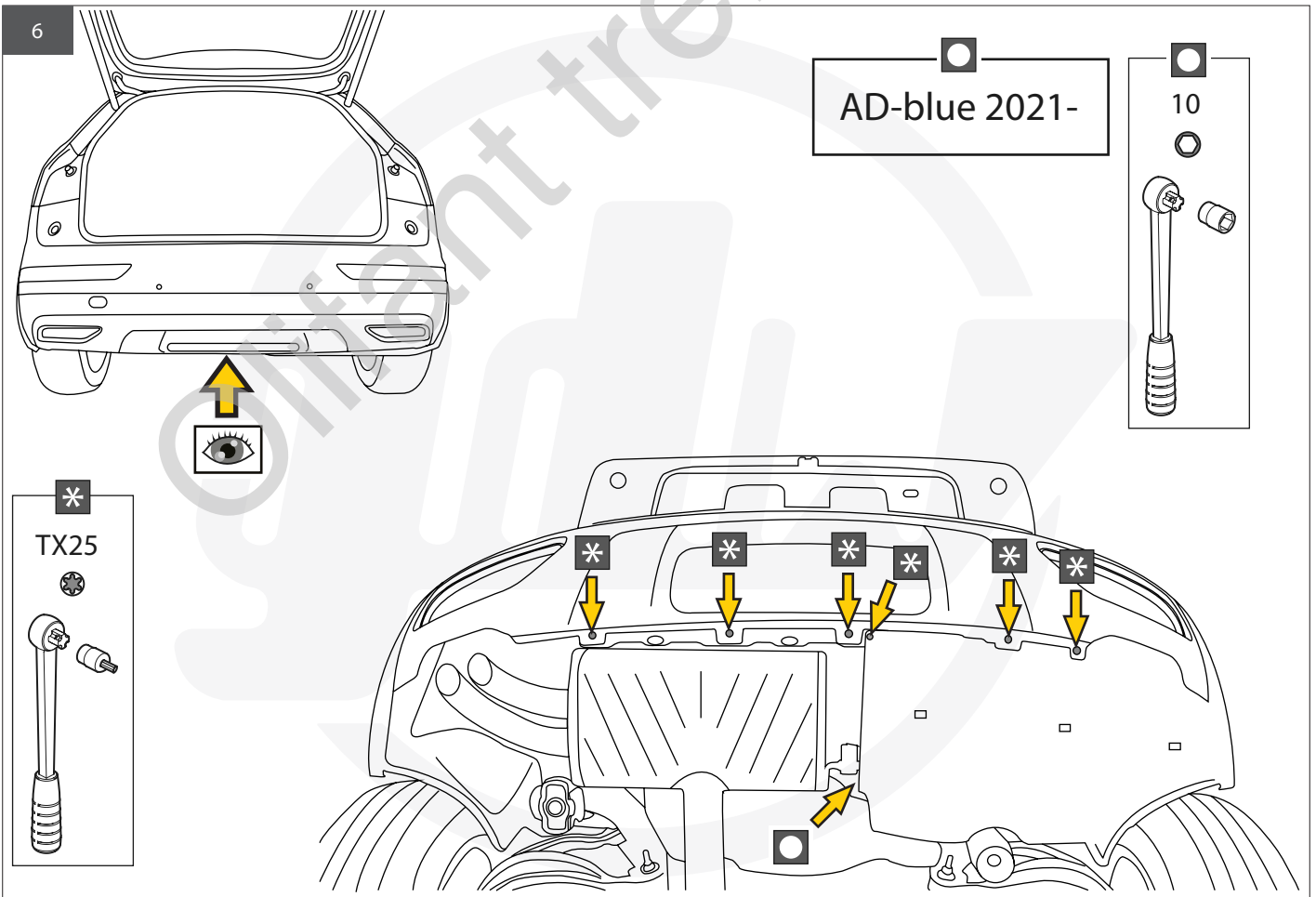
5

Q5 from 2021-



6

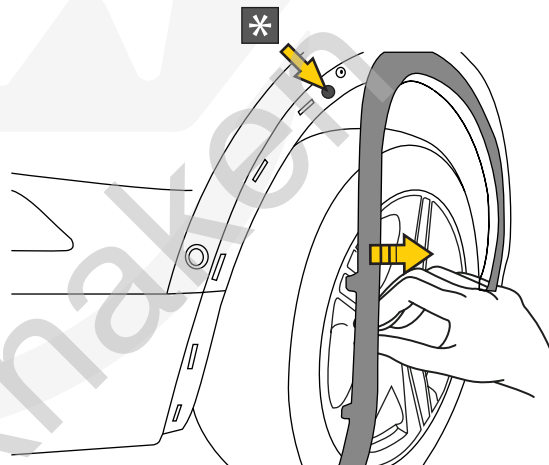
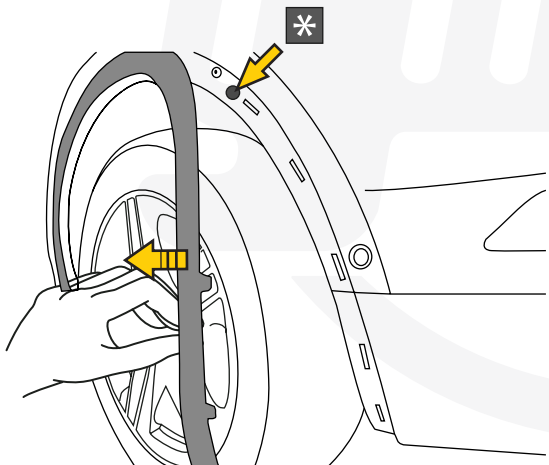
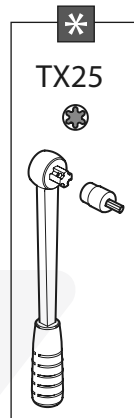
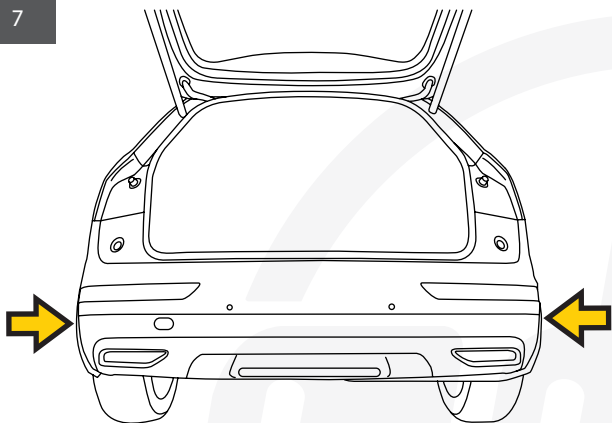
AD-blue 2021-



7

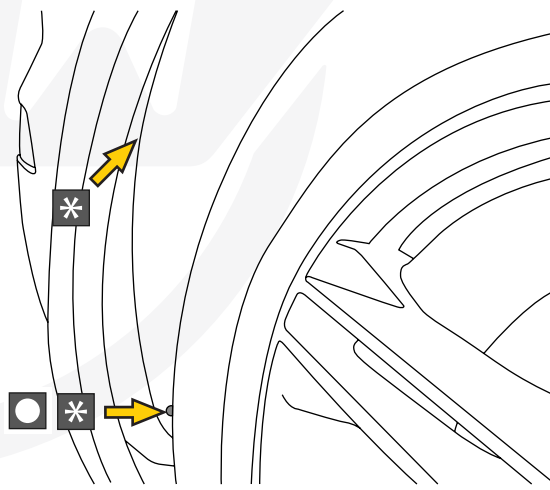
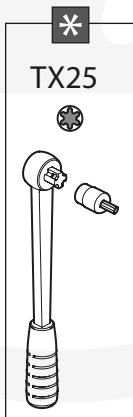
Q5 from 2021-

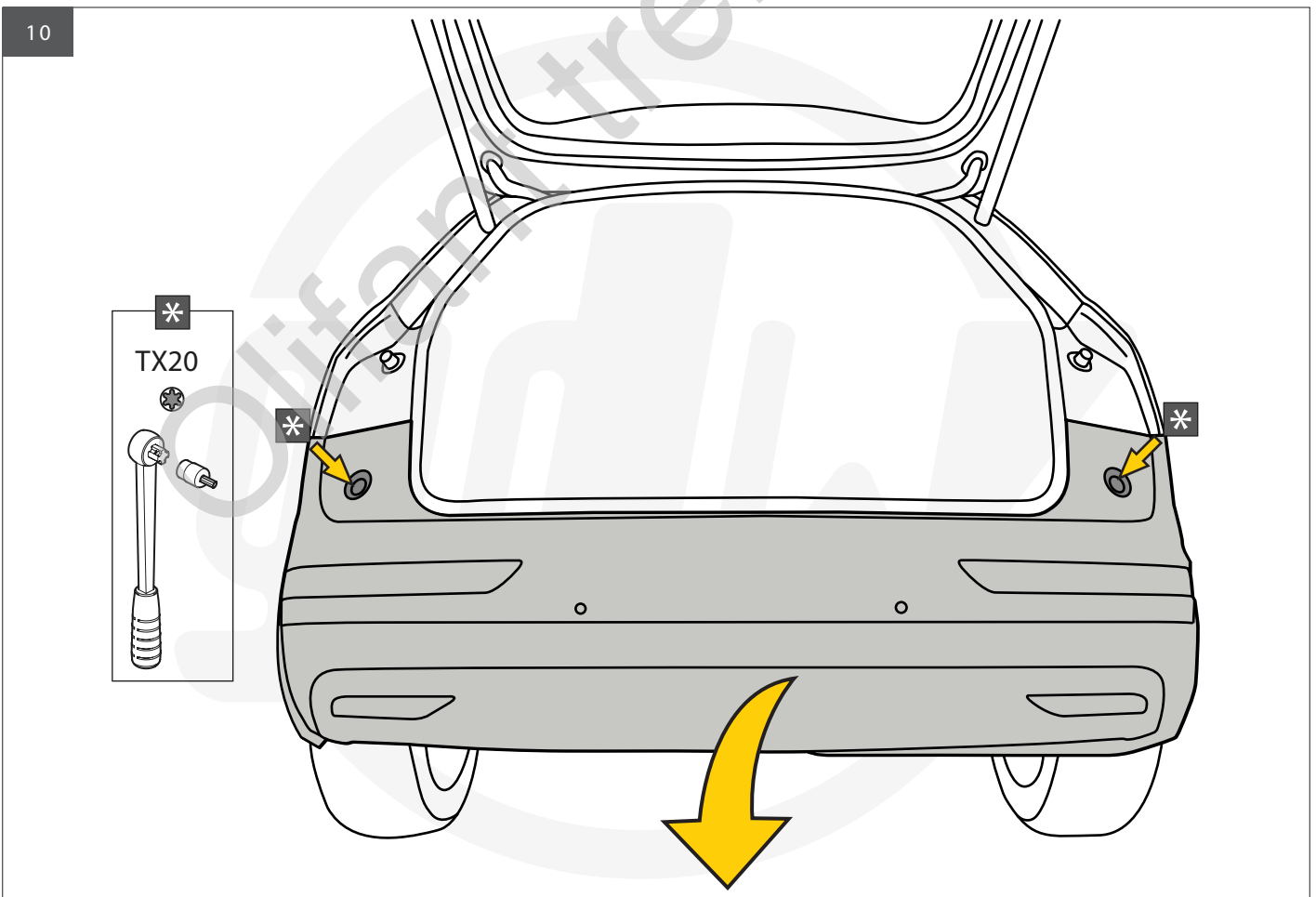
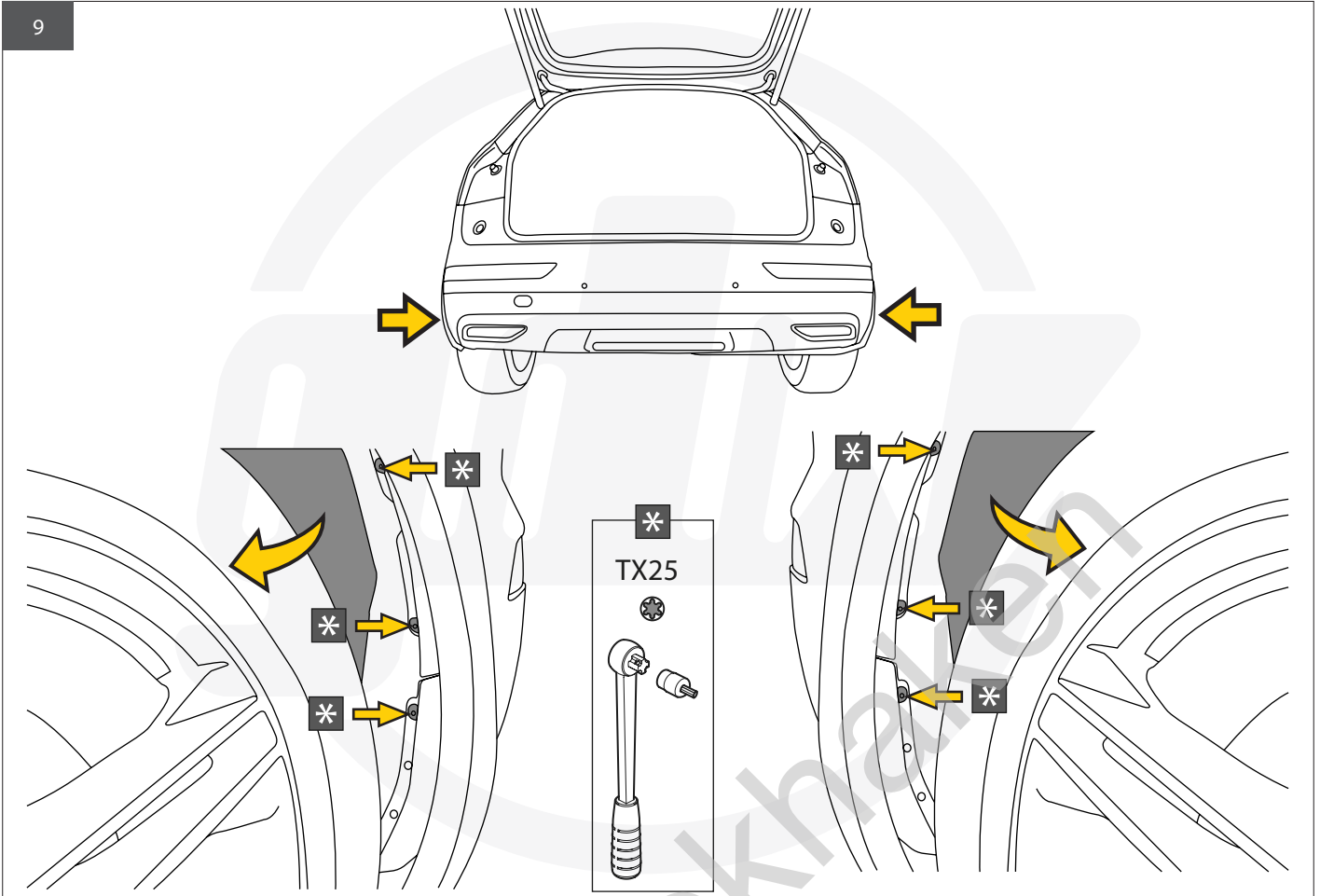
TX25



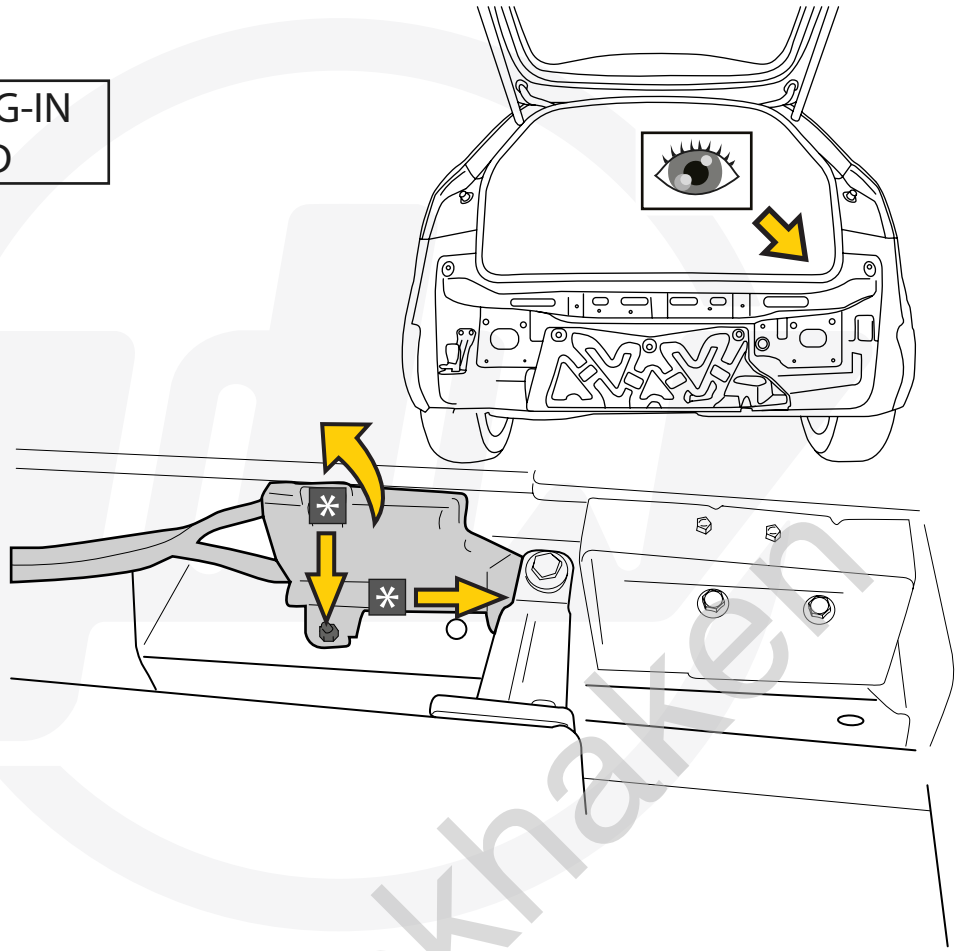
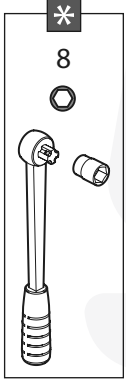
8

Q5 from 2021-

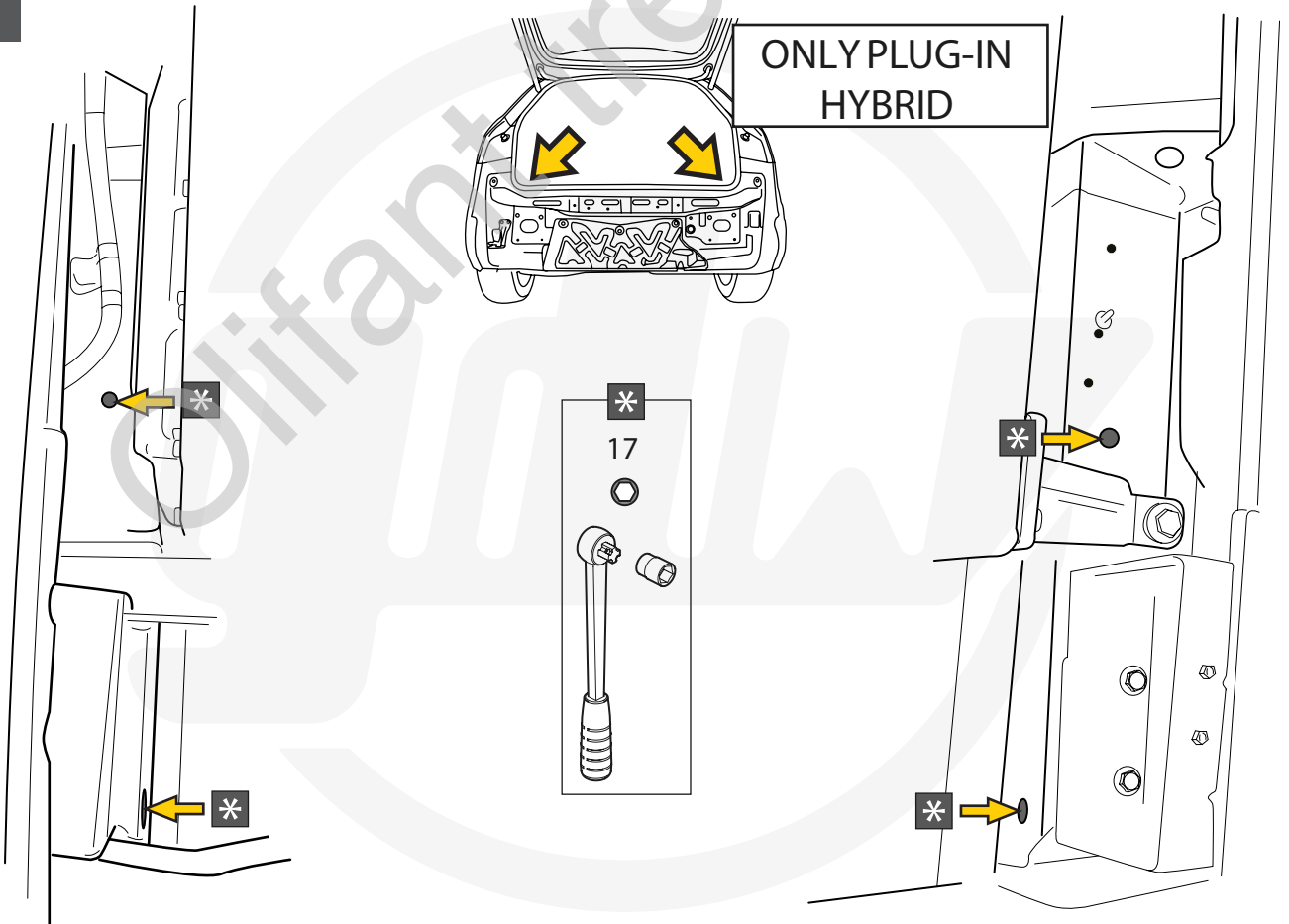
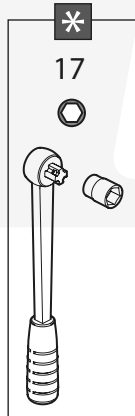


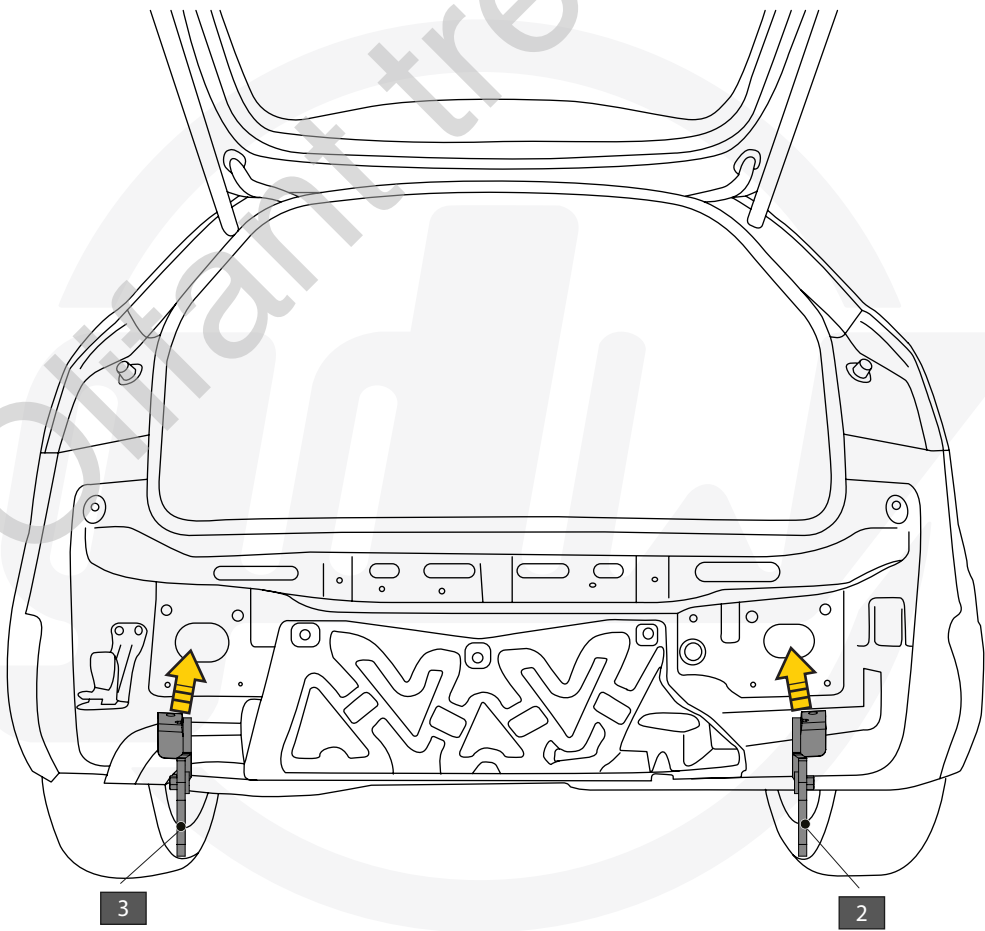
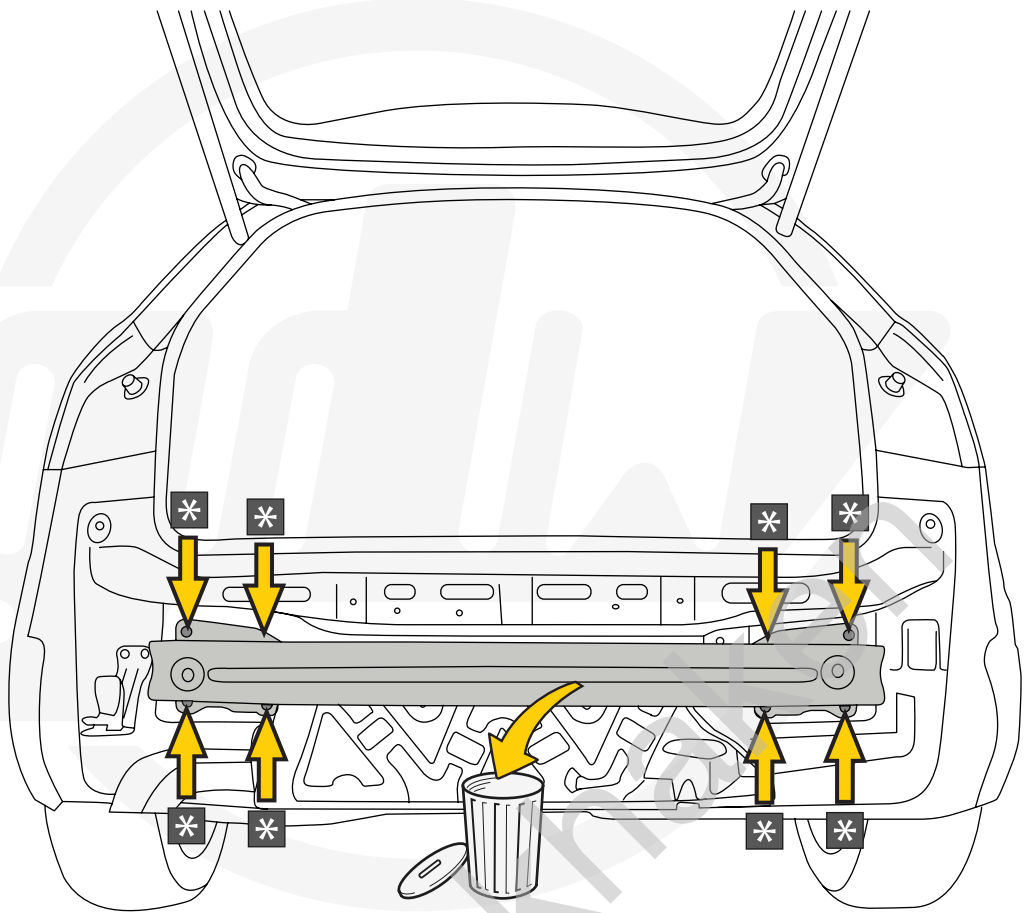
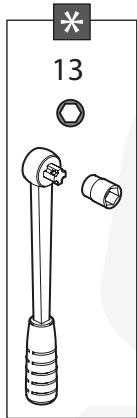


ONLY PLUG-IN  
HYBRID

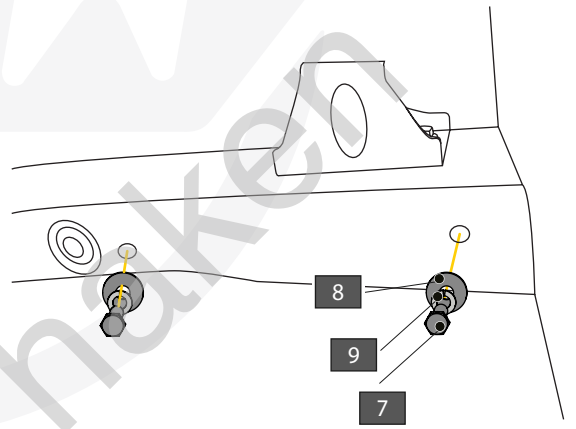
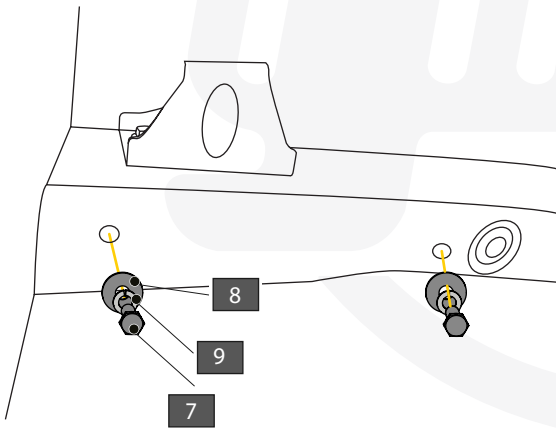
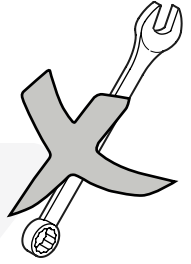
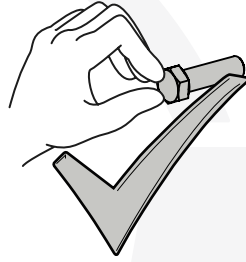
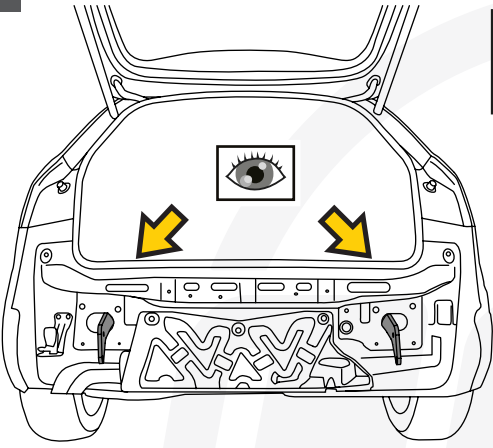


ONLY PLUG-IN  
HYBRID

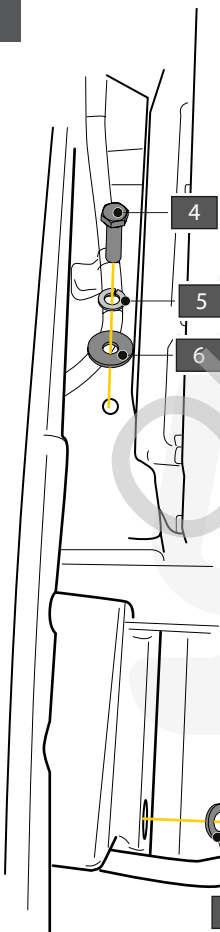
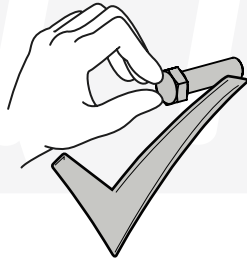
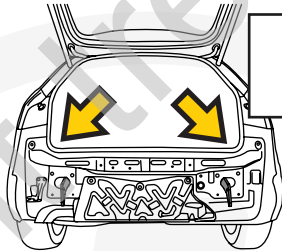




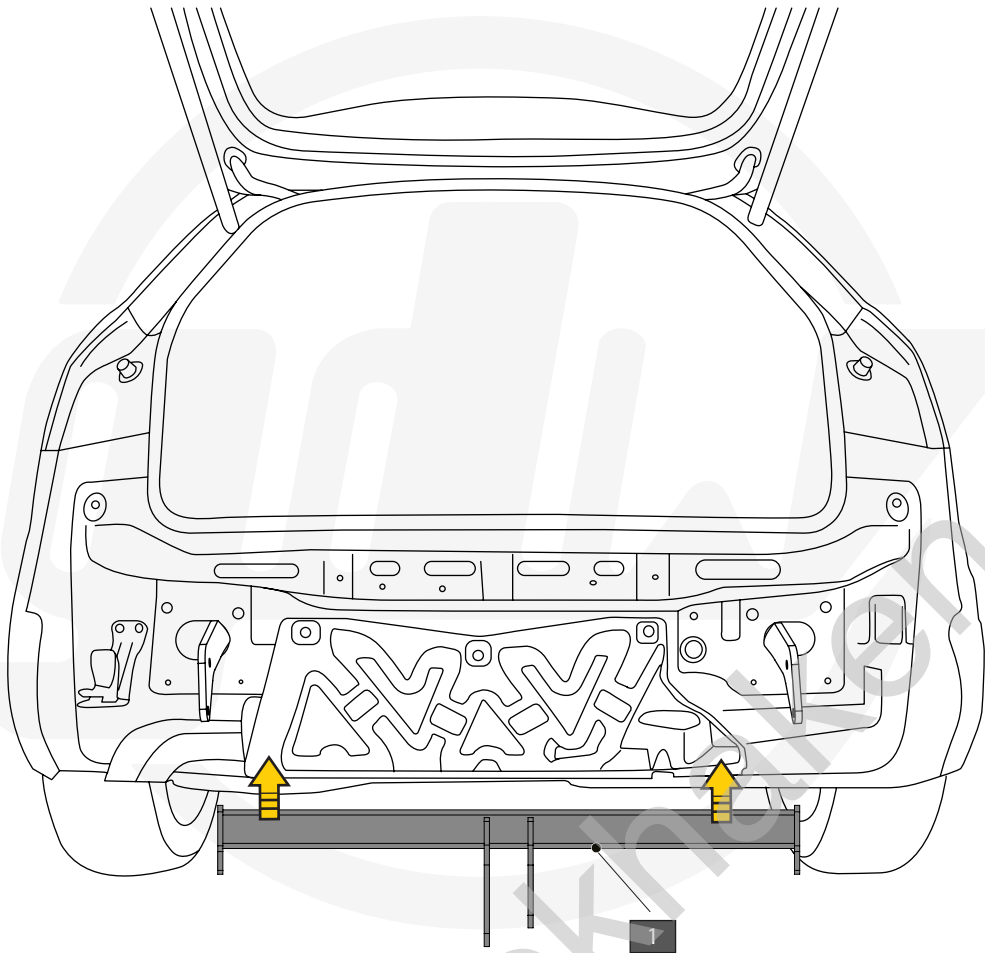
STANDARD



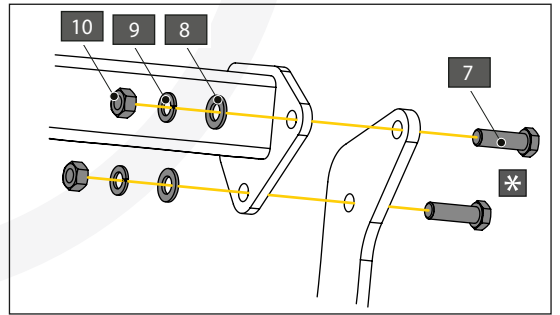
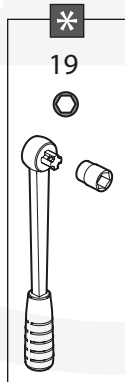
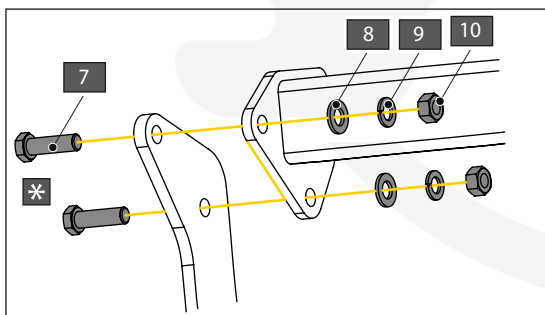
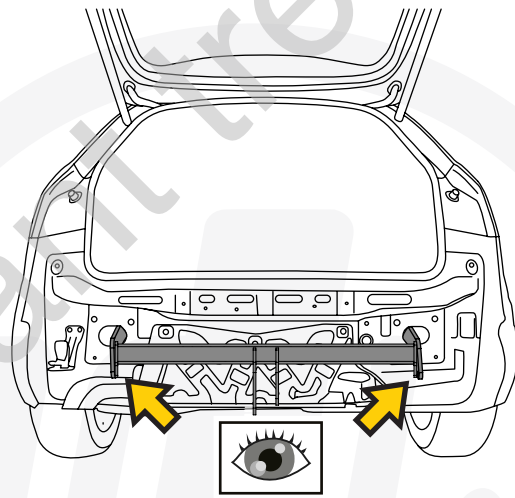
ONLY PLUG-IN HYBRID

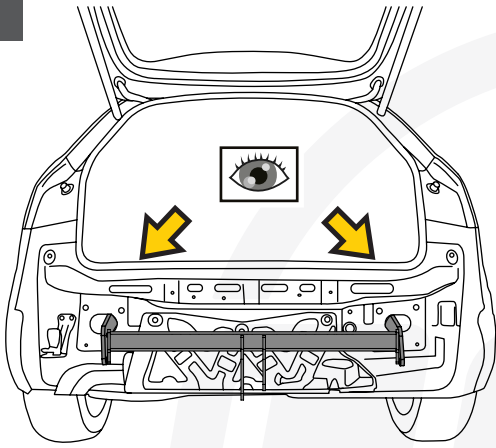


17



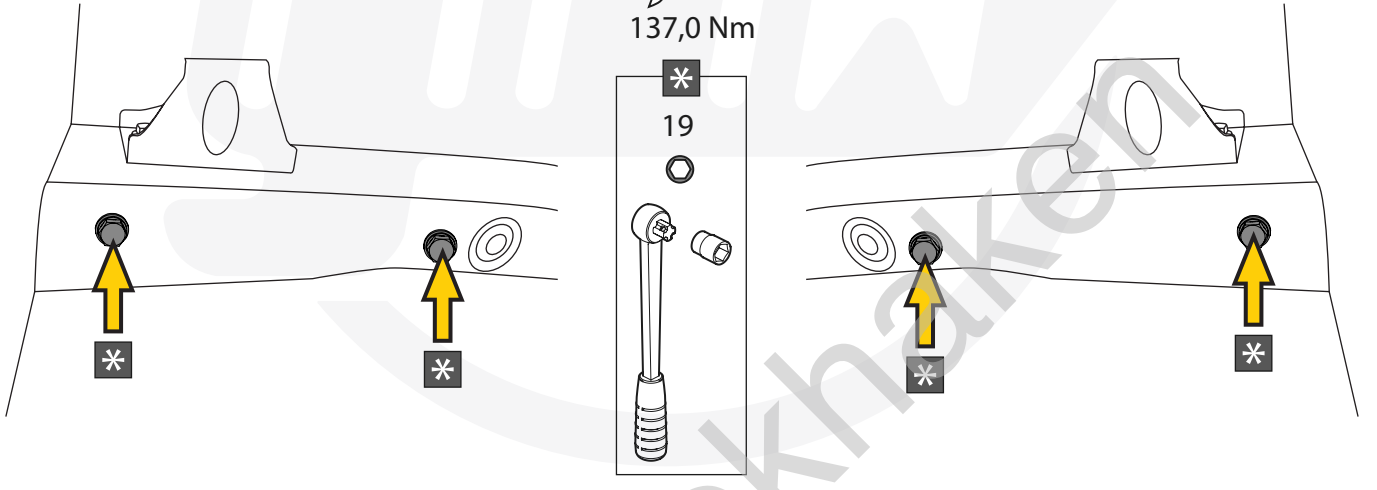
18



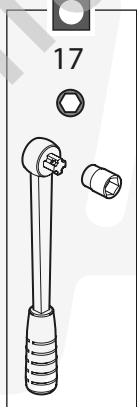
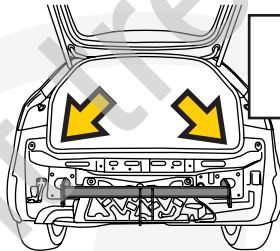


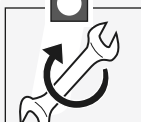
STANDARD

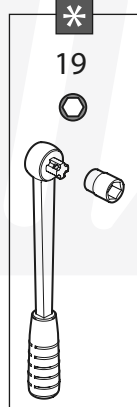
  
 137,0 Nm



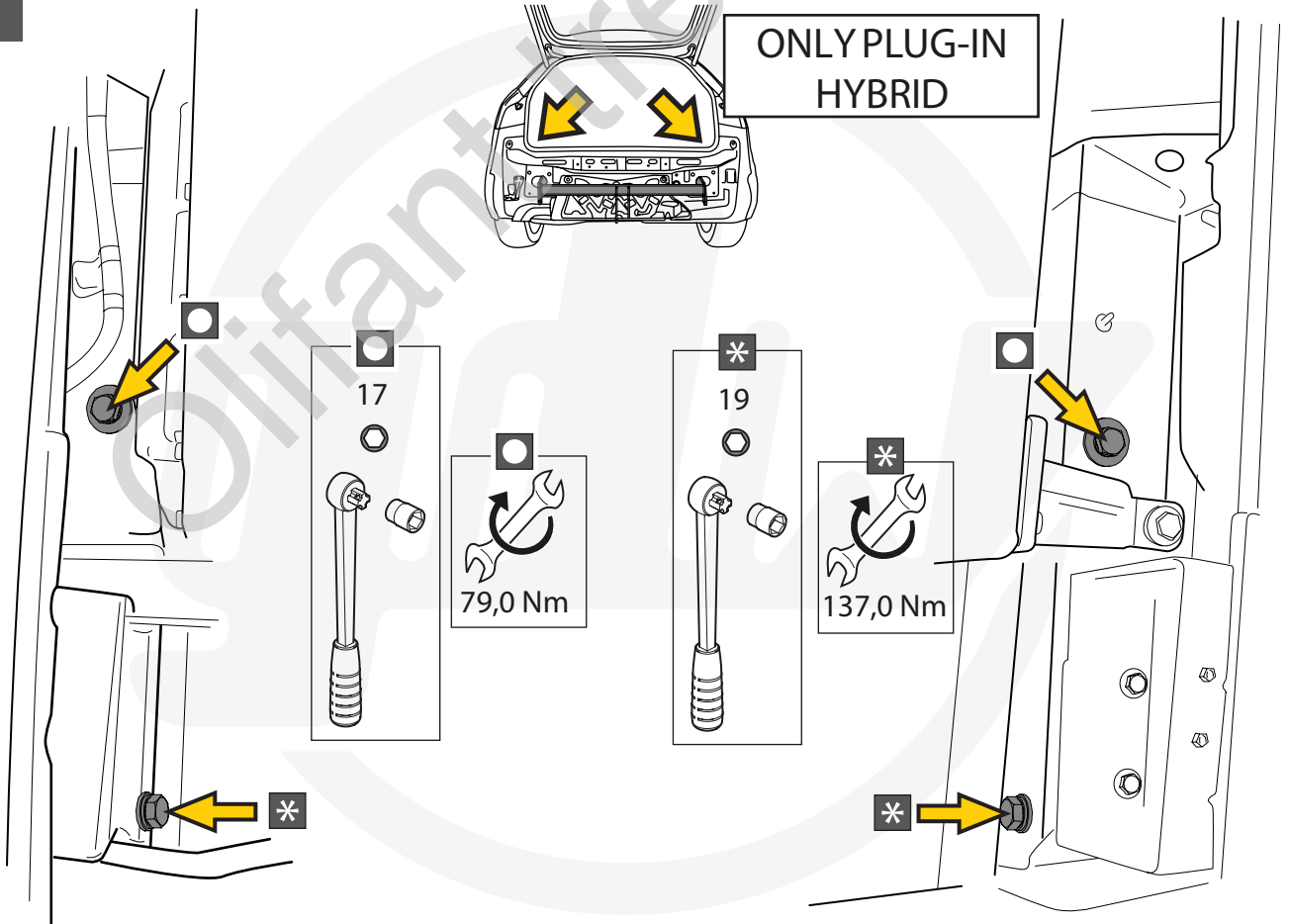
ONLY PLUG-IN HYBRID



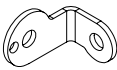




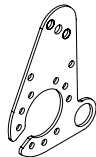

  
 79,0 Nm

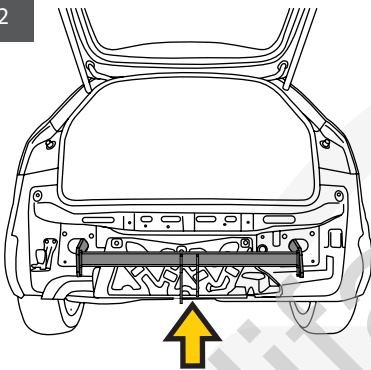
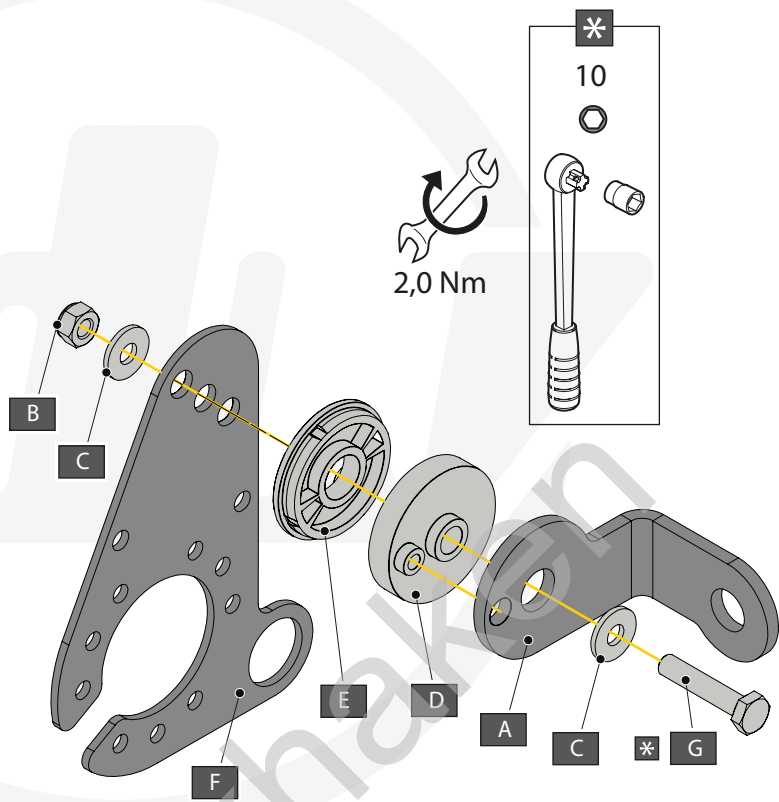


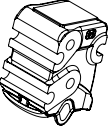




  
 137,0 Nm

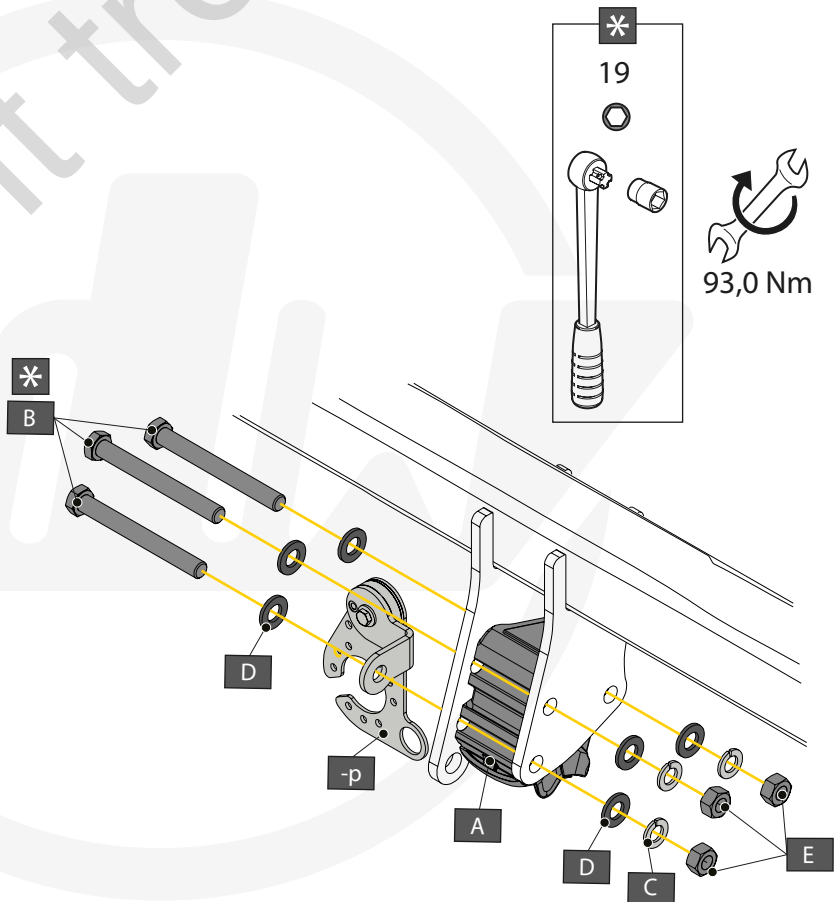




A		X1	GDW REF. 908.095
B		X1	DIN985-M6
C		X2	6,2 X 15,4 X 1,6 (NYLON)
D		X1	GDW REF. 718.16.002
E		X1	GDW REF. 718.16.003
F		X1	GDW REF. 908.094
G		X1	DIN933-M6 X 30



A		X1	GDW REF. 912.003
B		X3	DIN931-M12X110-8.8
C		X3	DIN128A-M12
D		X6	DIN125A-M12
E		X3	DIN934-M12



ONLY Q5 Sportback

