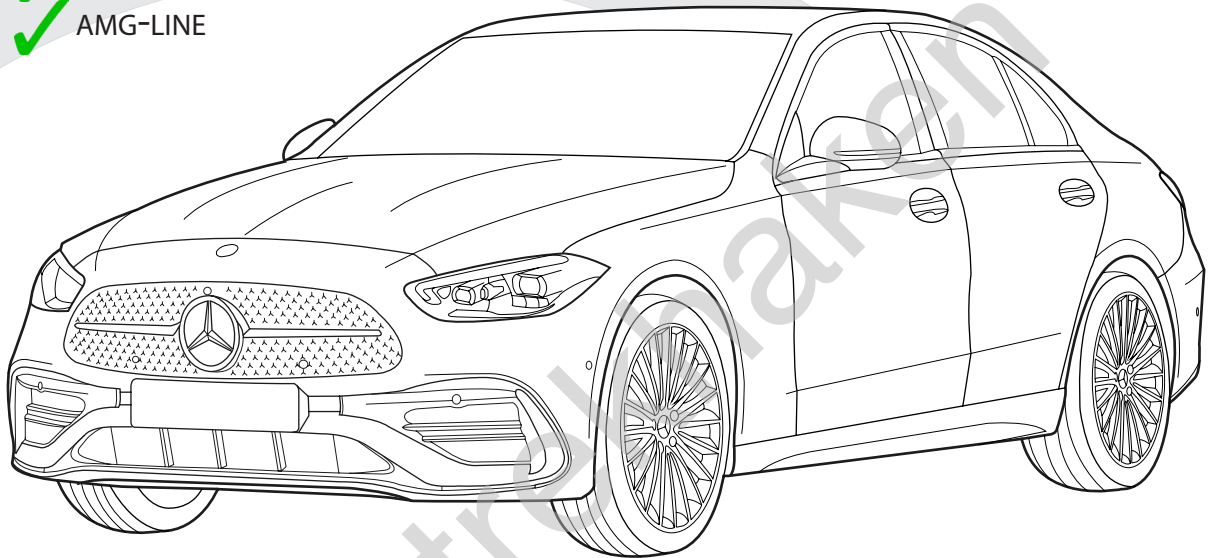




Mercedes-Benz C-class (W206)

03/'21-

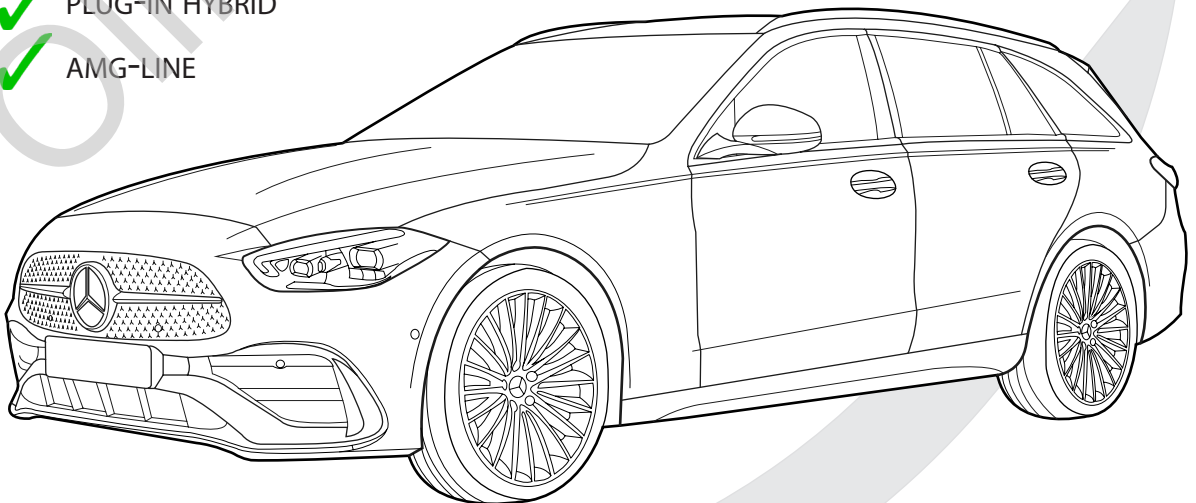
- ✓ HYBRID
- ✓ PLUG-IN HYBRID
- ✓ AMG-LINE

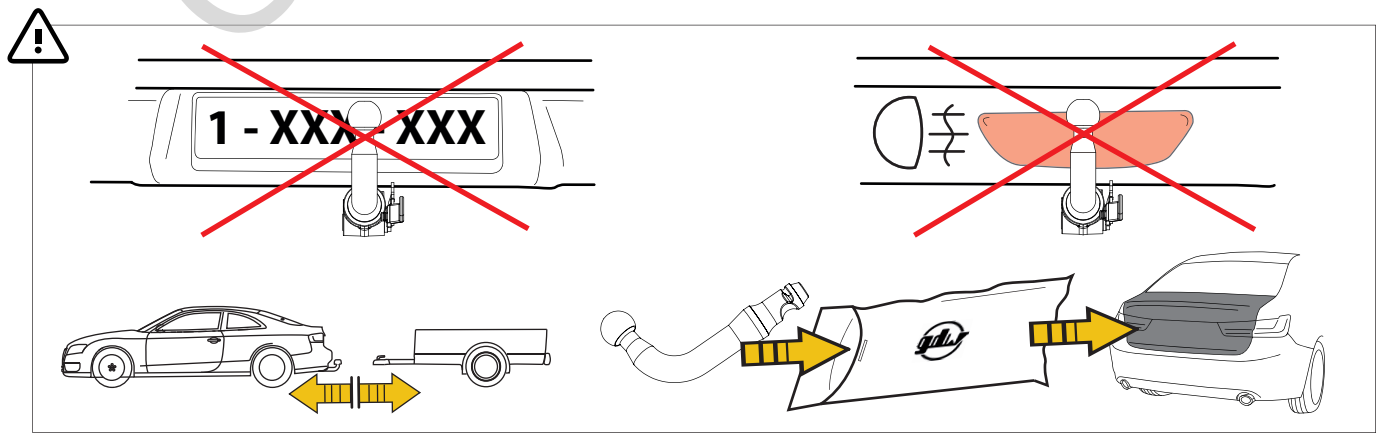
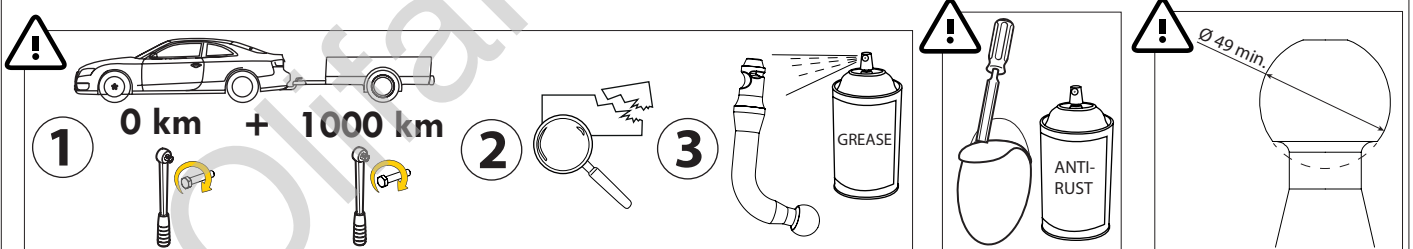
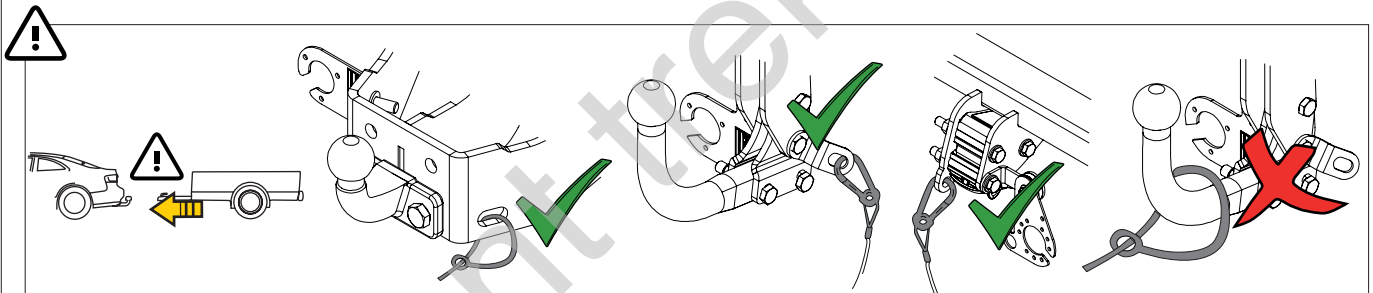
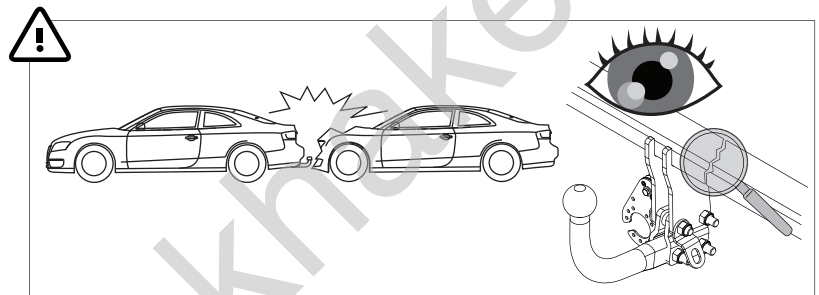
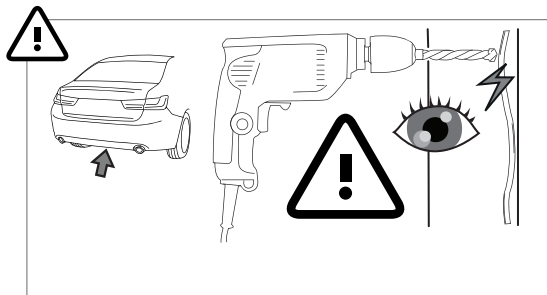
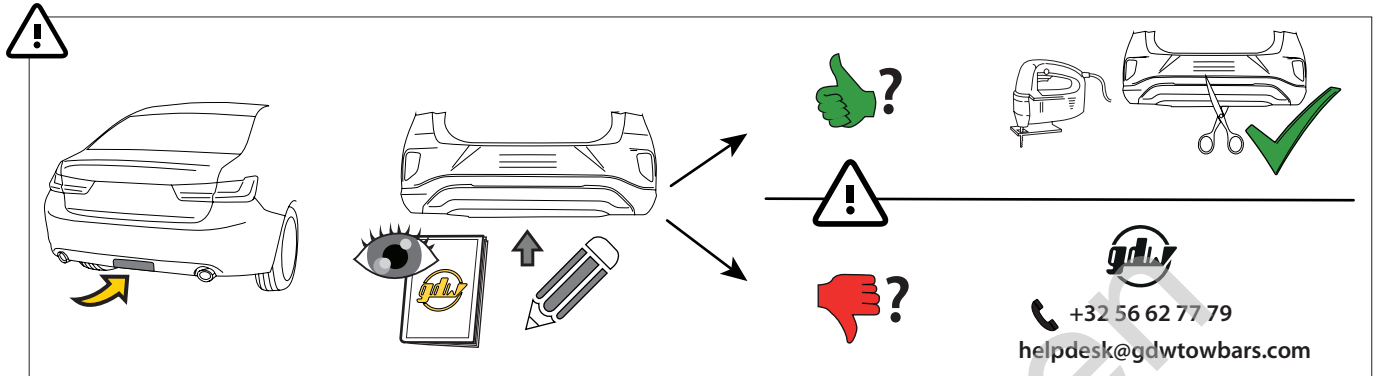
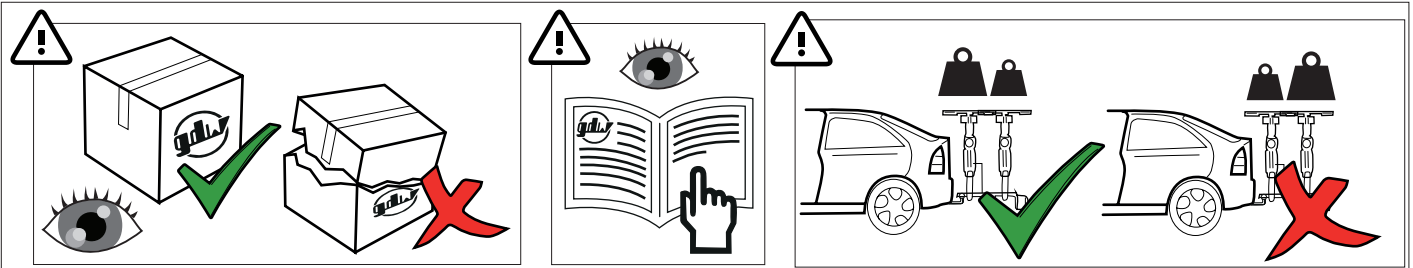


Mercedes-Benz C-class Break (S206)

03/'21-

- ✓ HYBRID
- ✓ PLUG-IN HYBRID
- ✓ AMG-LINE





MADE BY



D 10,75

F

E6

BELGIUM

S 100

EC-N°

55R-02 1705

REF N°

2615

SERIAL N°

XXXX

DESCRIPTION

Mercedes-Benz C W206-S206

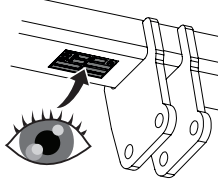
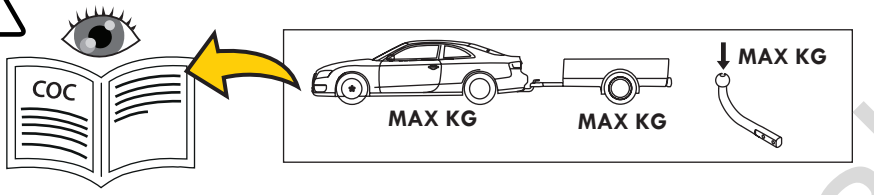


$$D = \frac{\text{max kg (car)} \times \text{max kg (trailer)}}{\text{max kg (car)} + \text{max kg (trailer)}} \times 0.00981 \leq 10,75 \text{ kN}$$

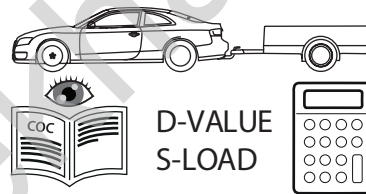
$$S = \text{hook} \leq 100 \text{ kg} \quad \text{trailer} \leq 1850 \text{ kg}$$



See the Certificate Of Conformity (COC) of your vehicle or contact your dealer to verify the max. trailer weight of your car!

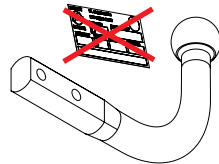


MADE BY	D		E6
BELGIUM	S	EC-N°	
REF. N°		SERIAL N°	
DESCRIPTION			

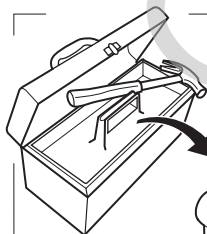
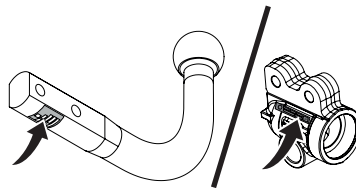


MADE BY	D		E6
BELGIUM	S	EC-N°	
REF. N°		SERIAL N°	
DESCRIPTION			

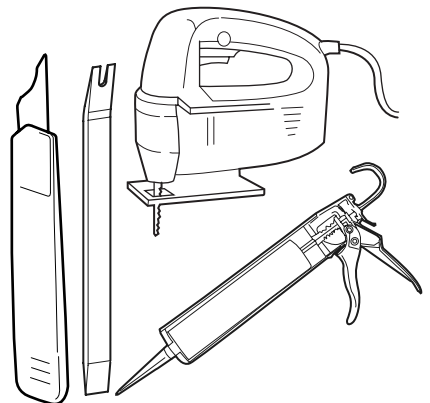
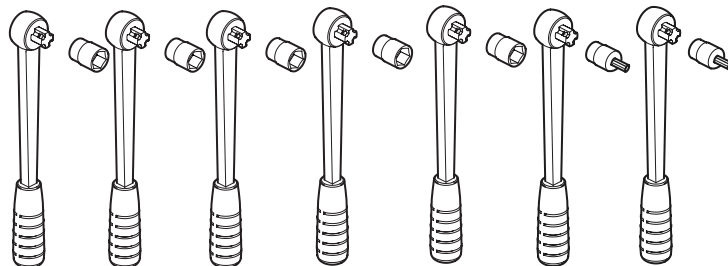
A50-X?

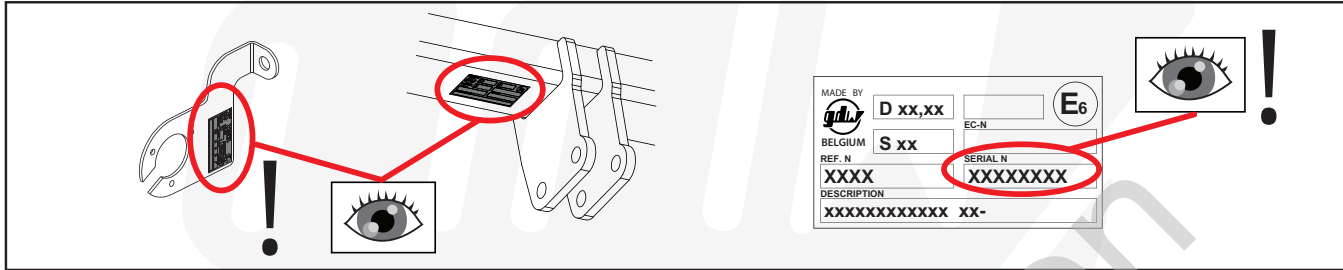


F?



- 8
- 10
- 16
- 17
- 19
- TX40
- TX50



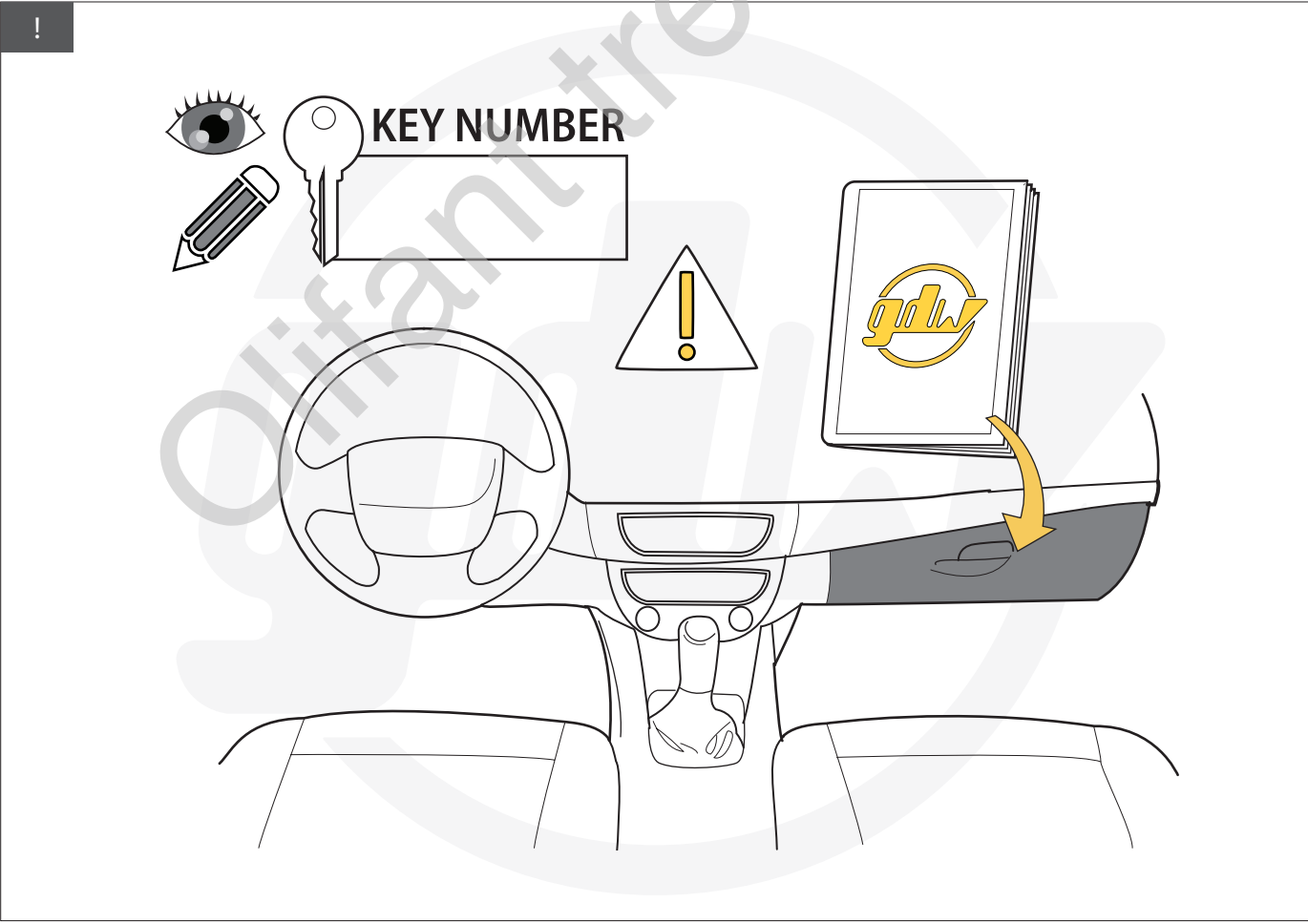


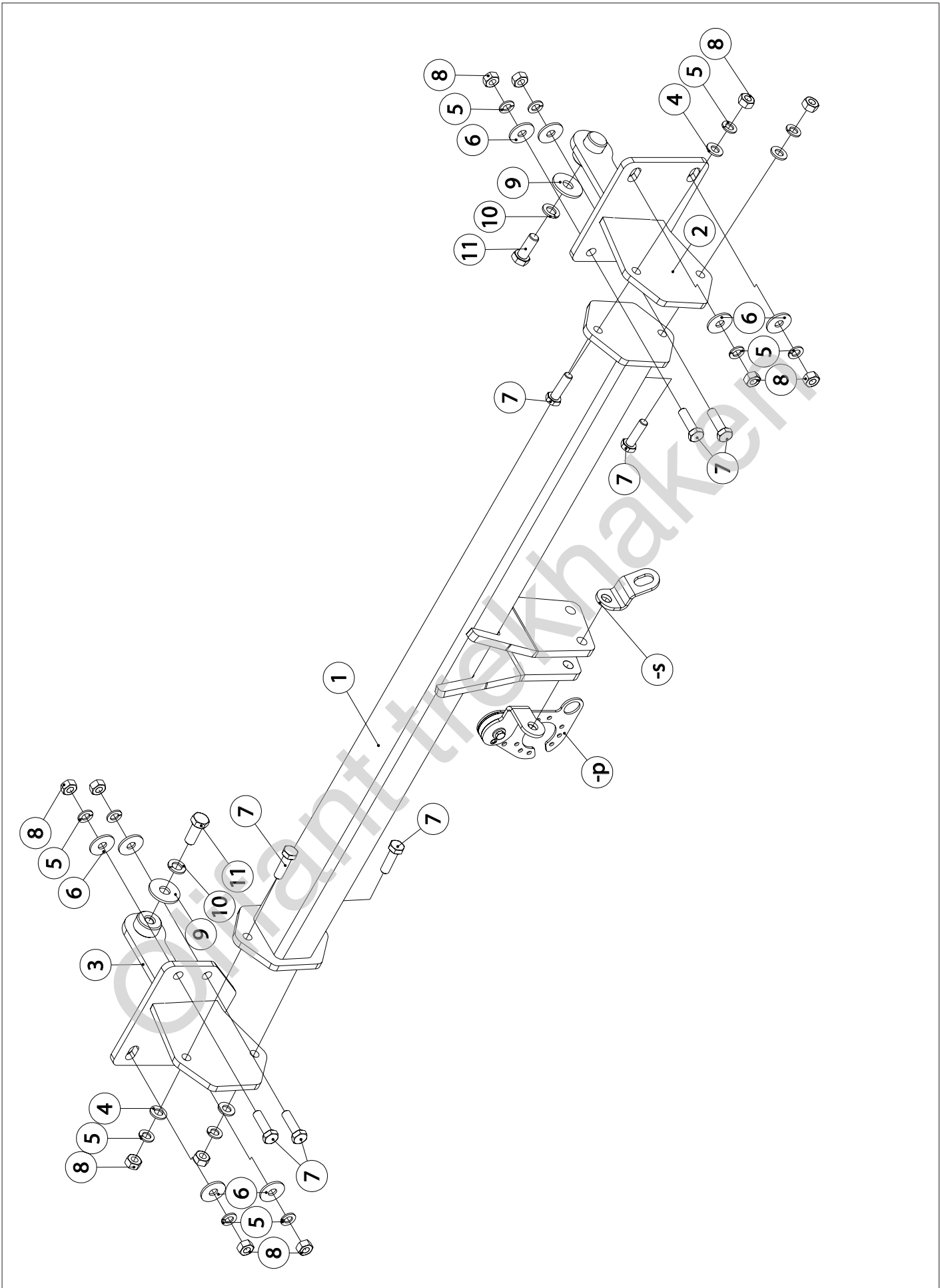


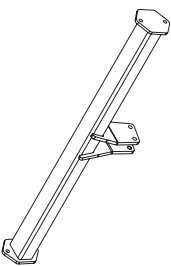
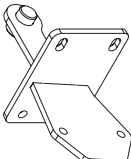
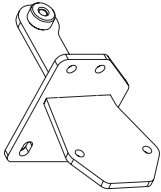


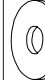


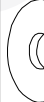
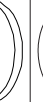


helpdesk@gdwtowbars.com

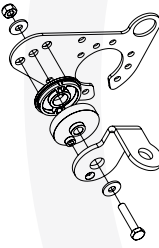

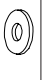


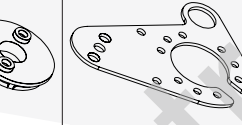


+32 56 62 77 79

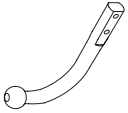




Monday	08:00 - 12:00	12:30 - 16:30
Tuesday	08:00 - 12:00	12:30 - 16:30
Wednesday	08:00 - 12:00	12:30 - 16:30
Thursday	08:00 - 12:00	12:30 - 16:30
Friday	08:00 - 12:00	12:30 - 15:30






1		X1	GDW REF. 2615
2		X2	GDW REF. 2
3		X1	GDW REF. 3
4		X4	DIN125-A10-140HV-ELVZ
5		X12	DIN128A-M10
6		X8	DIN9021-M10-ELVZ
7		X8	DIN933-M10X35_10.9
8		X12	DIN934-M10_KL10
9		X2	DIN9021-M12-ELVZ
10		X2	DIN128A-M12
11		X2	DIN961-M12X30X1.5
-S		X1	GDW REF. 900.053

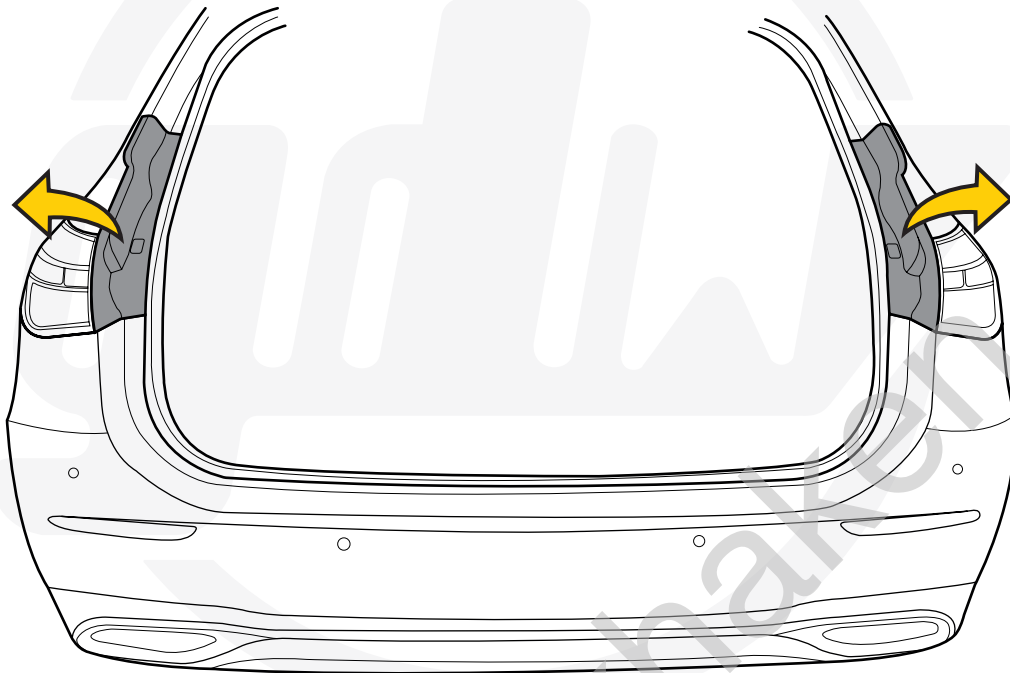
-P		X1	GDW REF. P39
↳		X1	DIN985-M6
↳		X2	6,2 X 15,4 X 1,6 (NYLON)
↳		X1	GDW REF. 718.16.002
↳		X1	GDW REF. 718.16.003
↳		X1	GDW REF. 908.094
↳		X1	DIN933-M6 X 30
↳		X1	GDW REF. 908.095

Geleverd met - Livré avec - Delivered with Geflefert mit - Elementos adjuntos-Leveres med		X1	944.H035
		X2	GDW REF. 900.008
		X2	GDW REF. 900.011 Ø 21.3 X 11.7
		X4	DIN931-M12 X 70
		X4	DIN985-M12

OPTION T36		
	X1	KITT36-2615

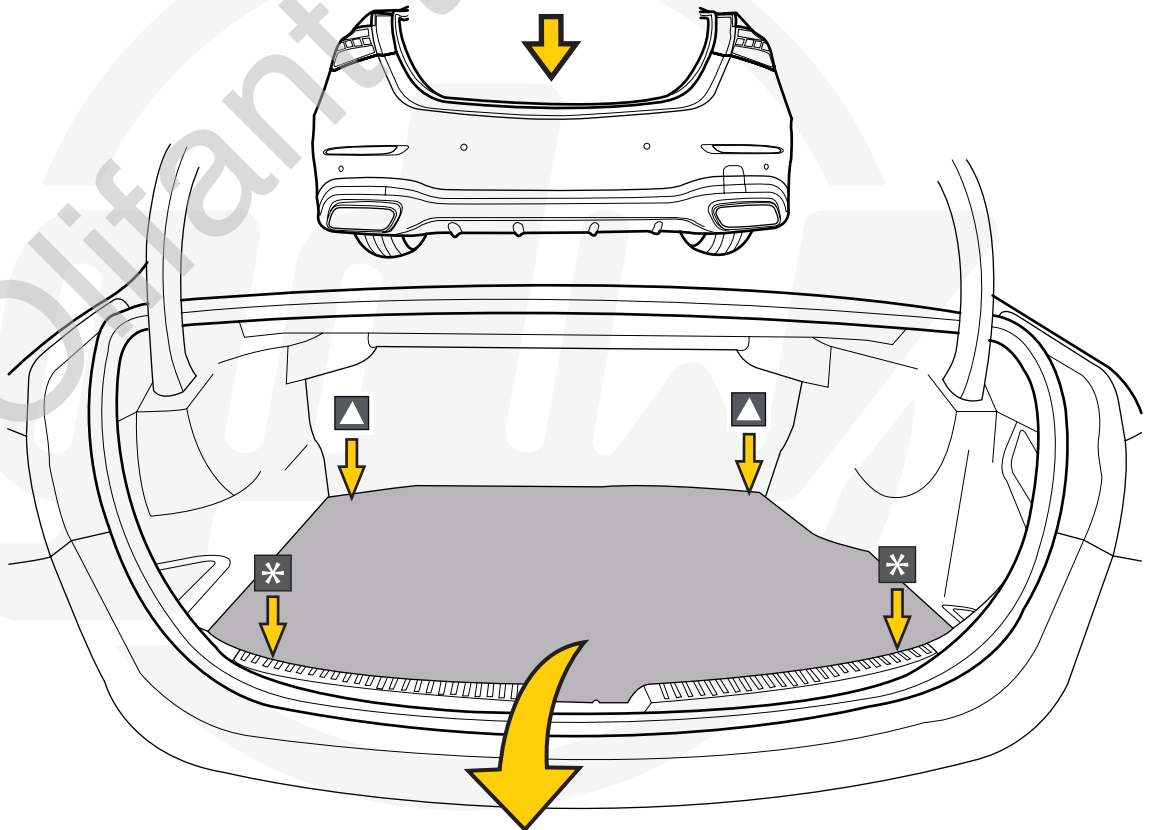
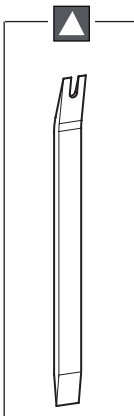
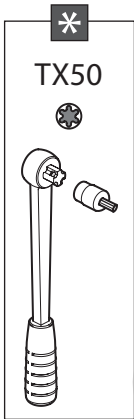
1

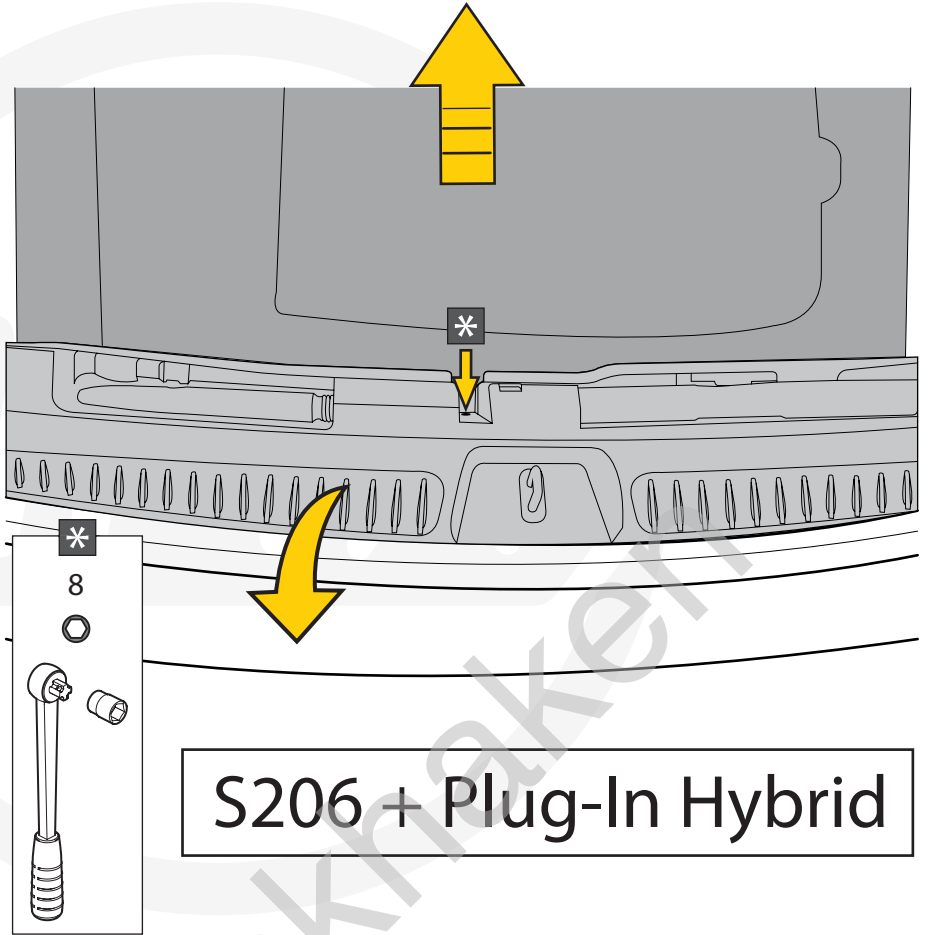
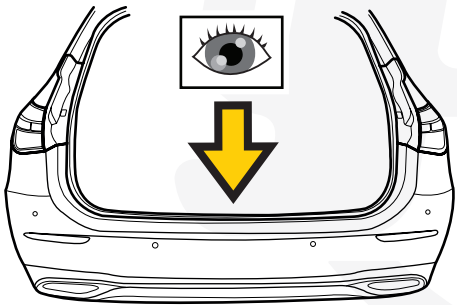
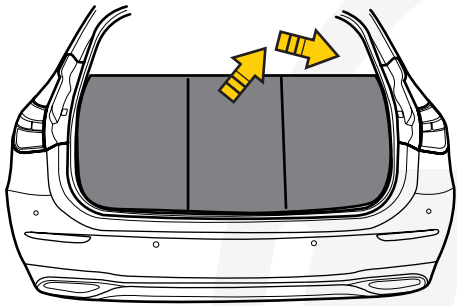
S206



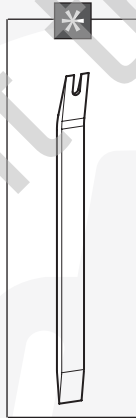
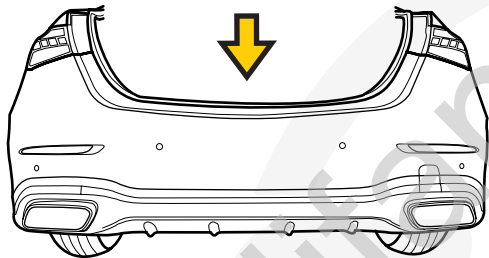
2

W206 Plug-In Hybrid

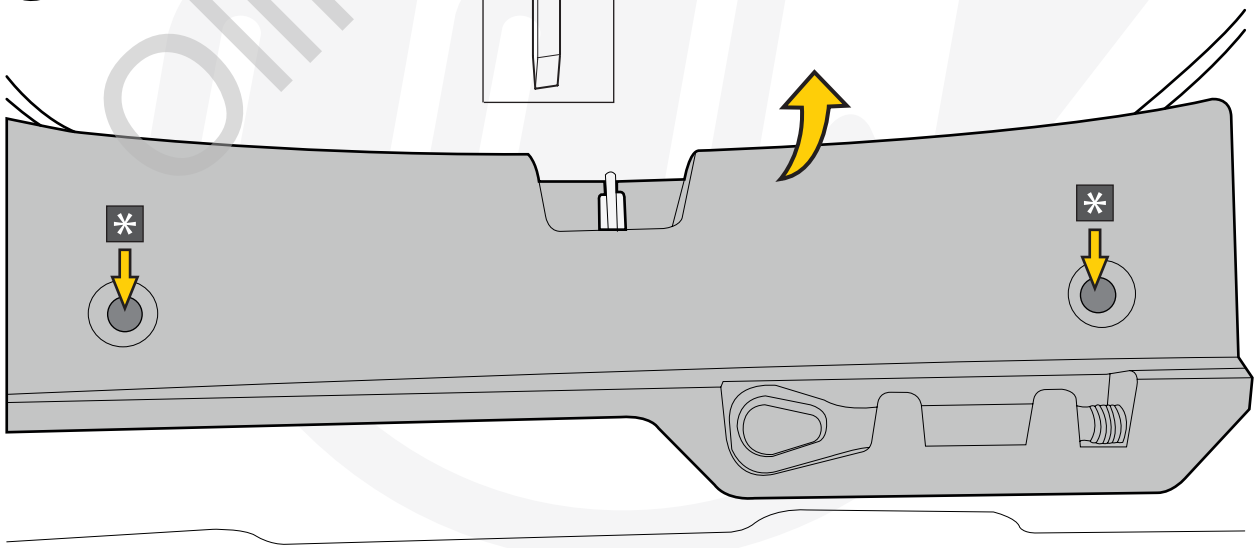




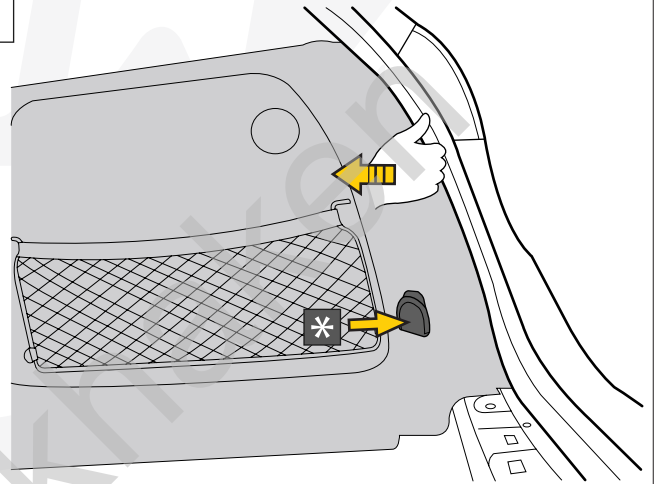
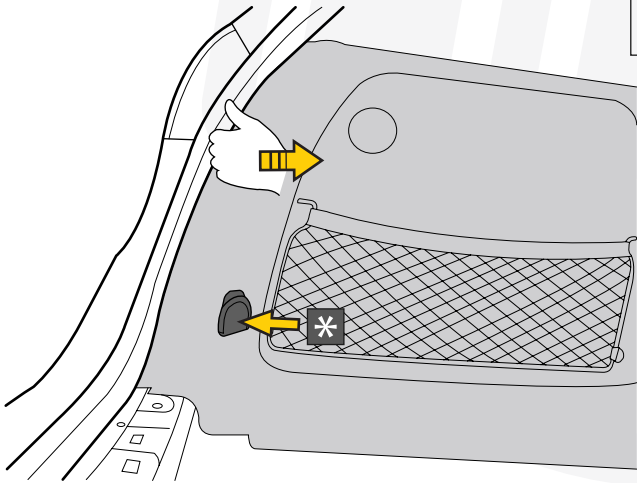
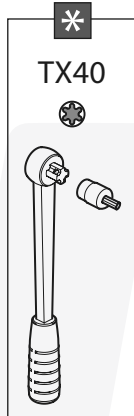
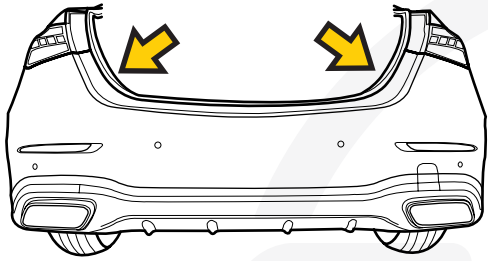
S206 + Plug-In Hybrid



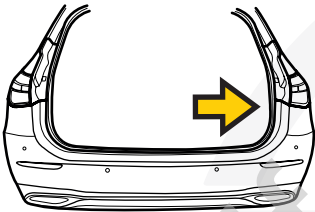
W206 +
S206 Plug-In Hybrid



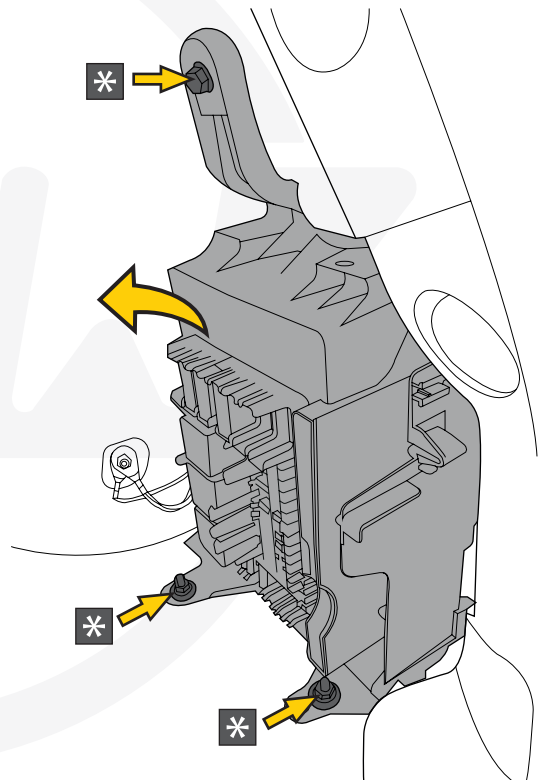
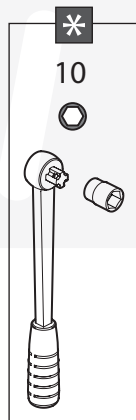
5



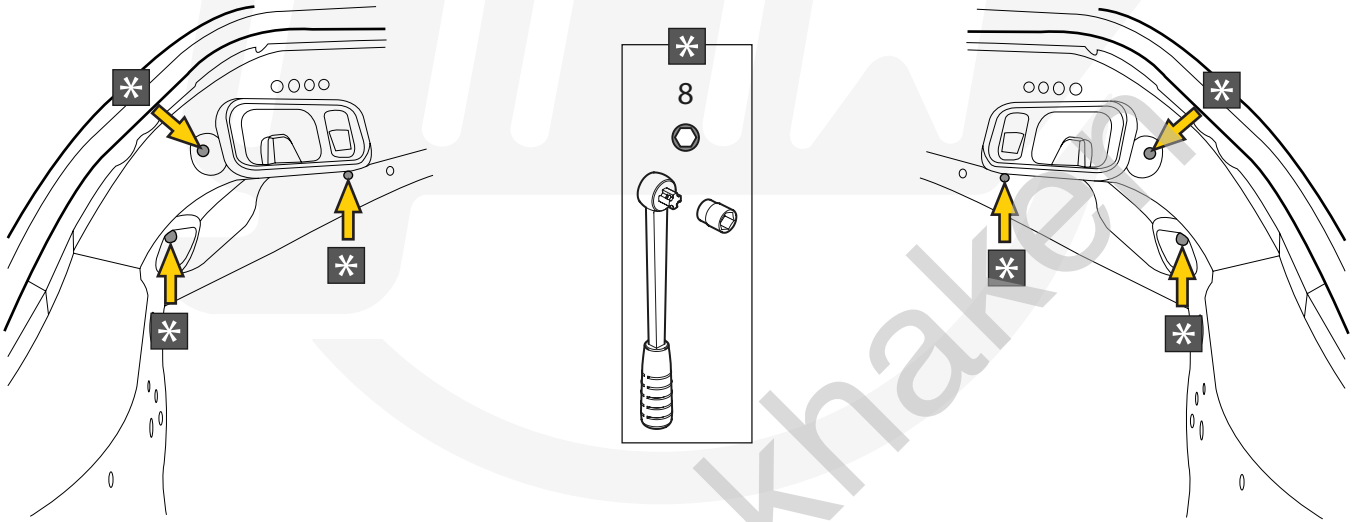
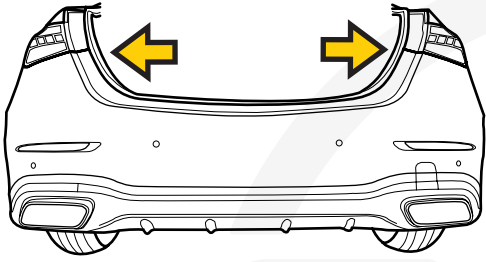
6



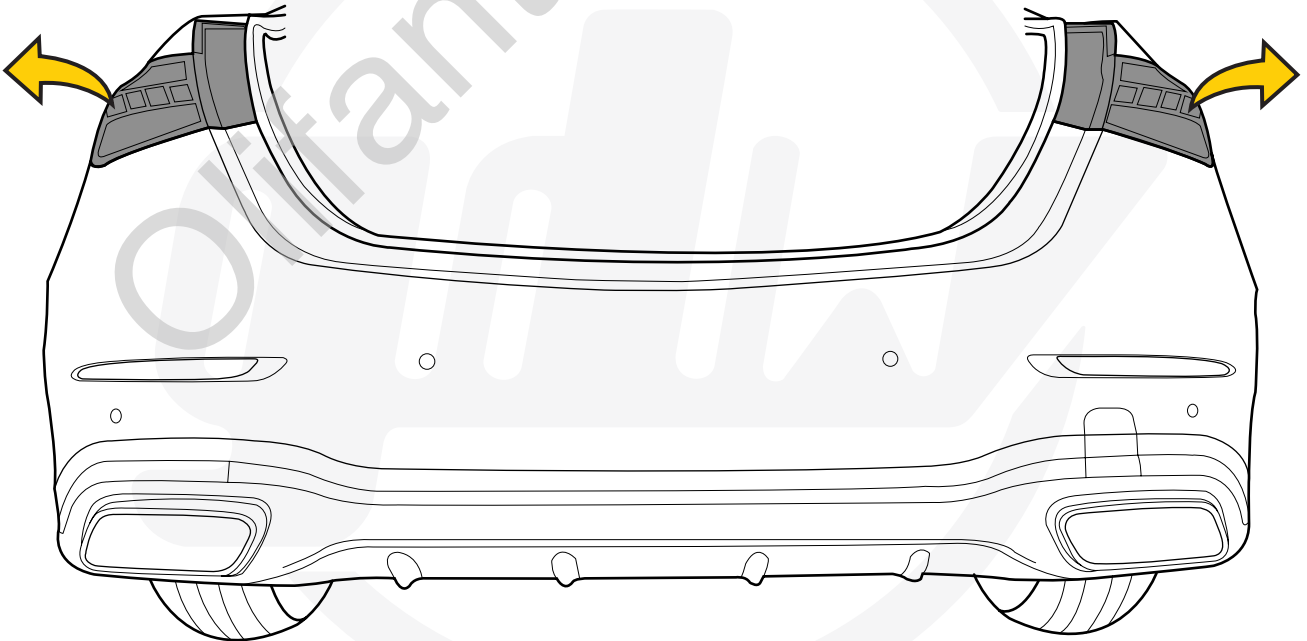
S206



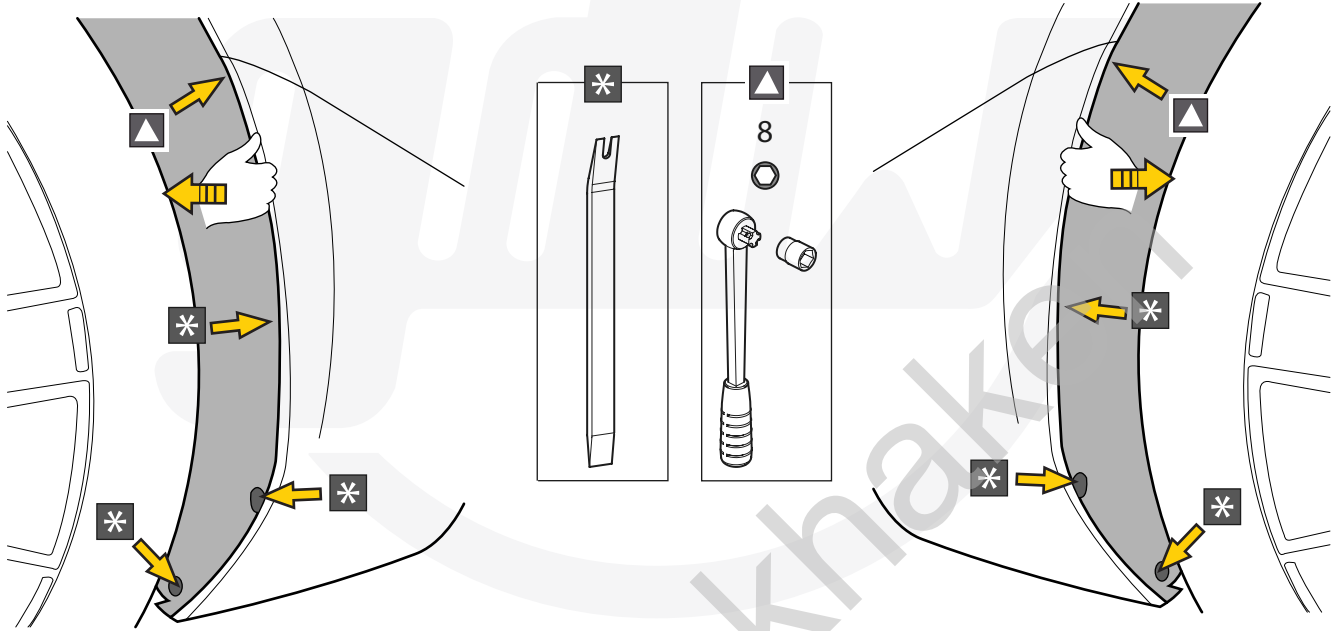
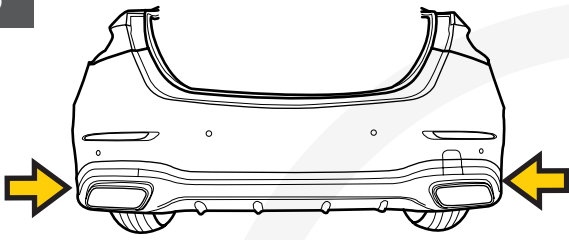
7



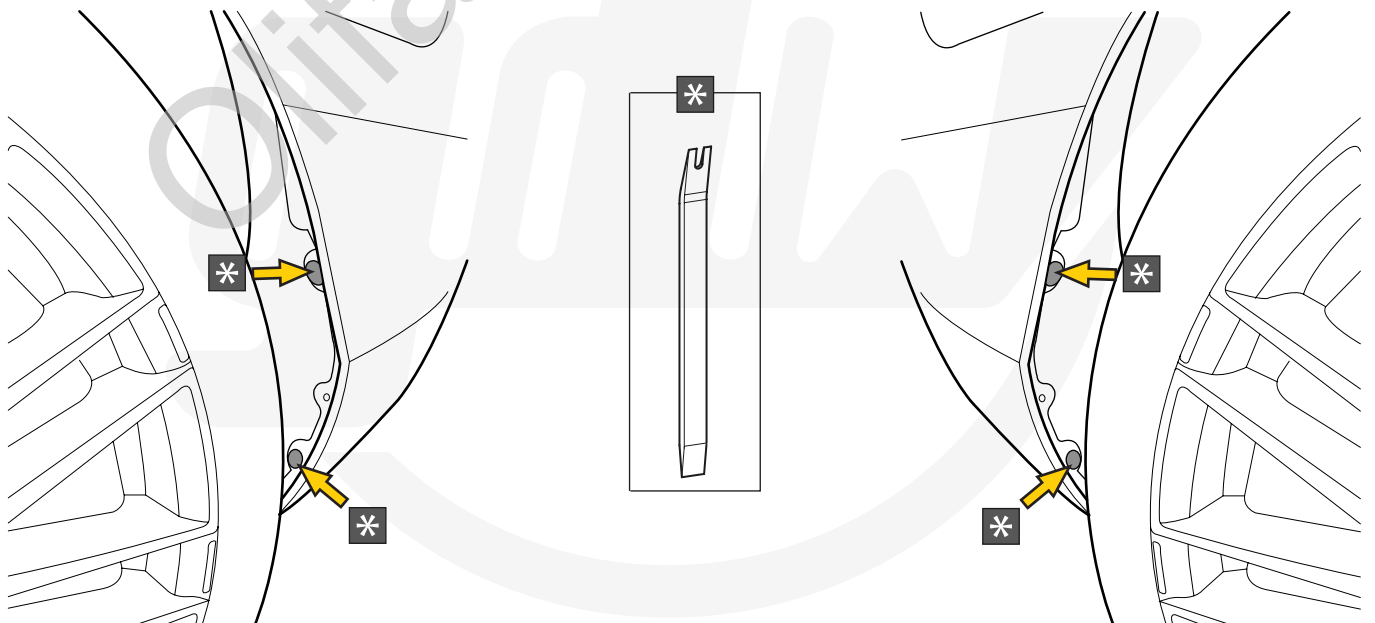
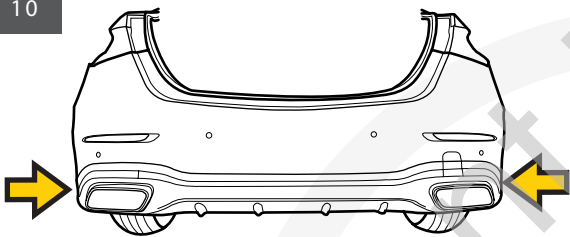
8



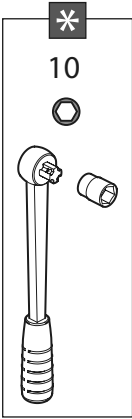
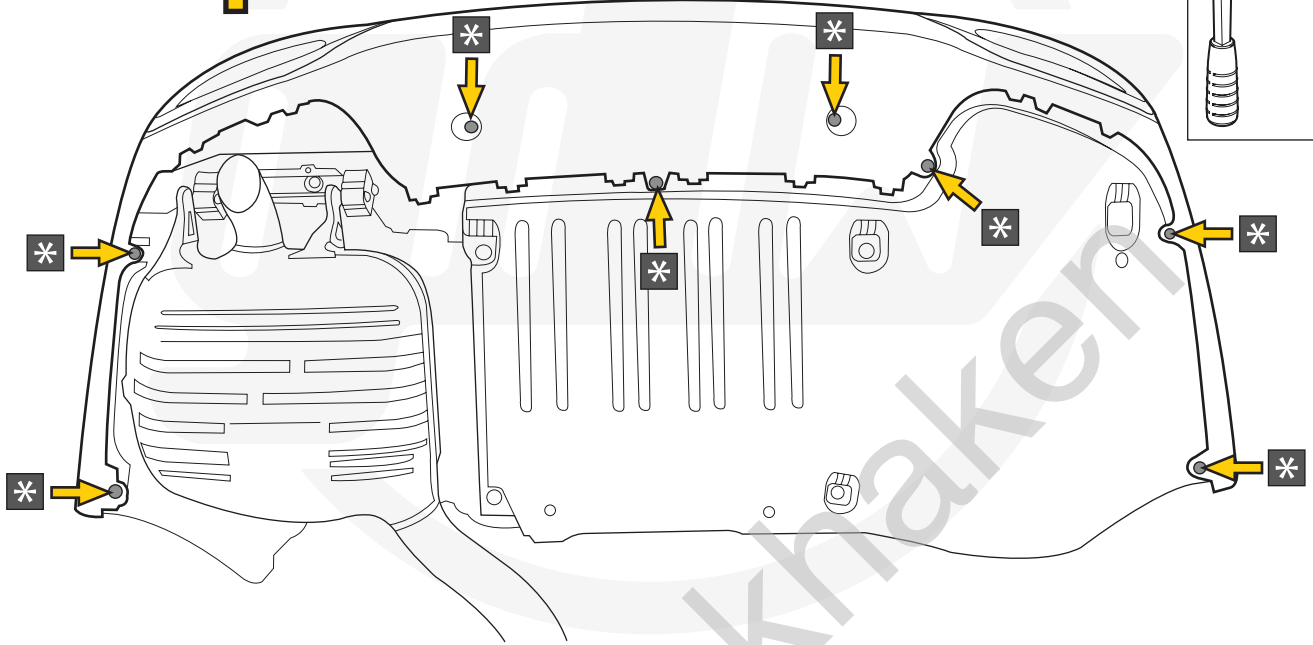
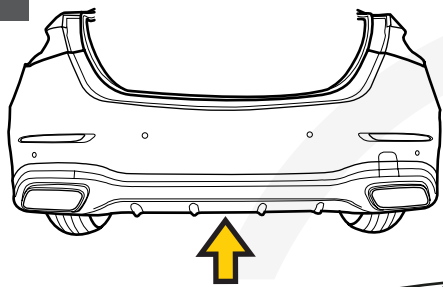
9



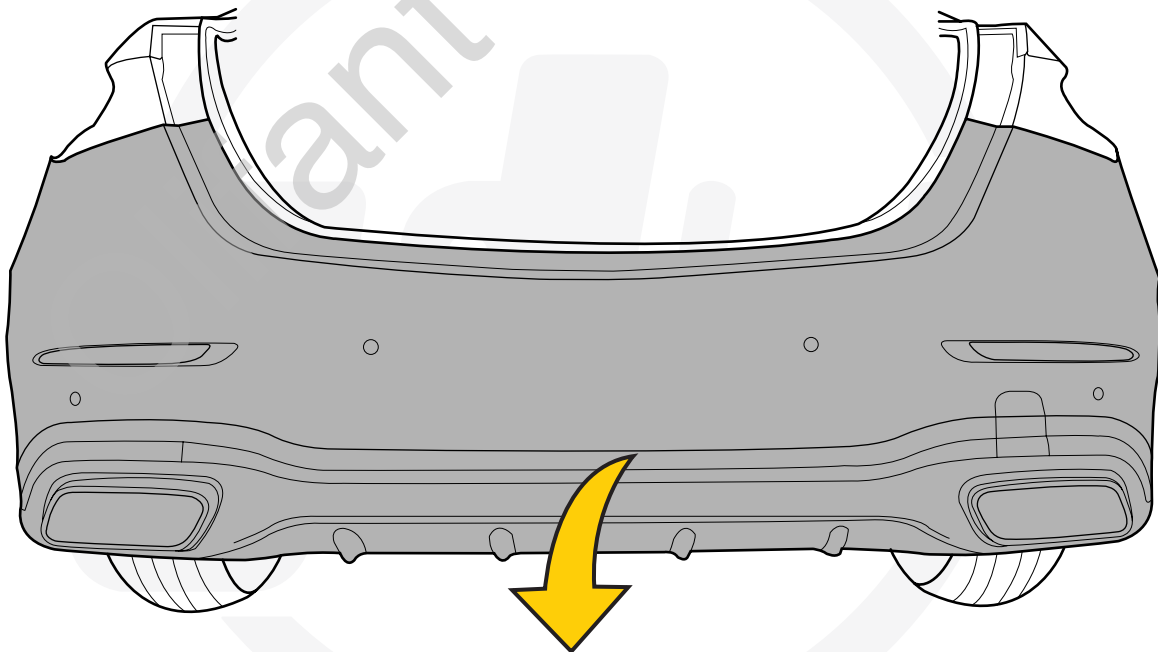
10

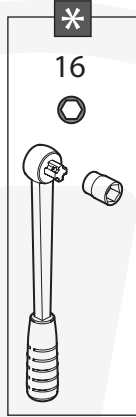
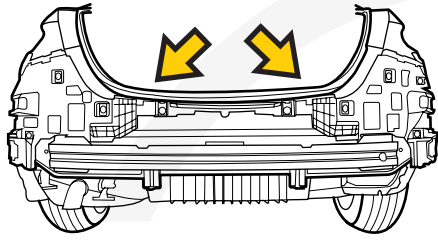


11

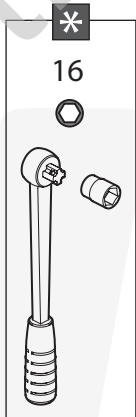
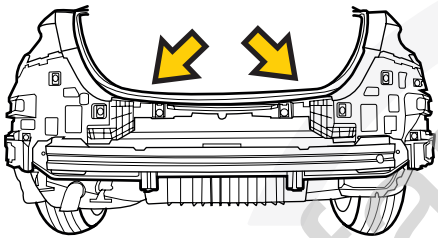
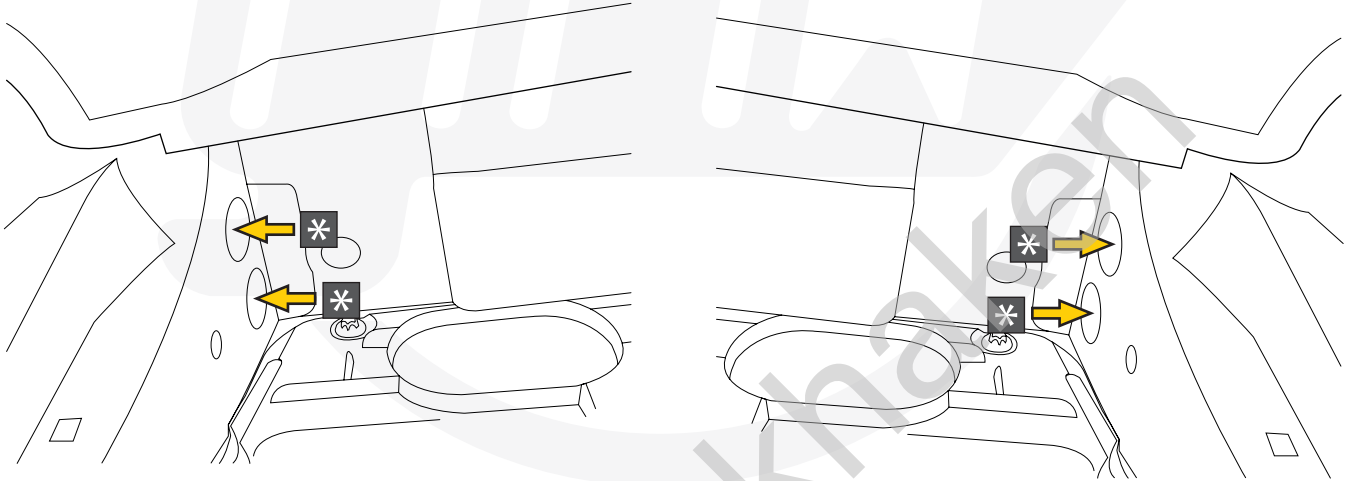


12

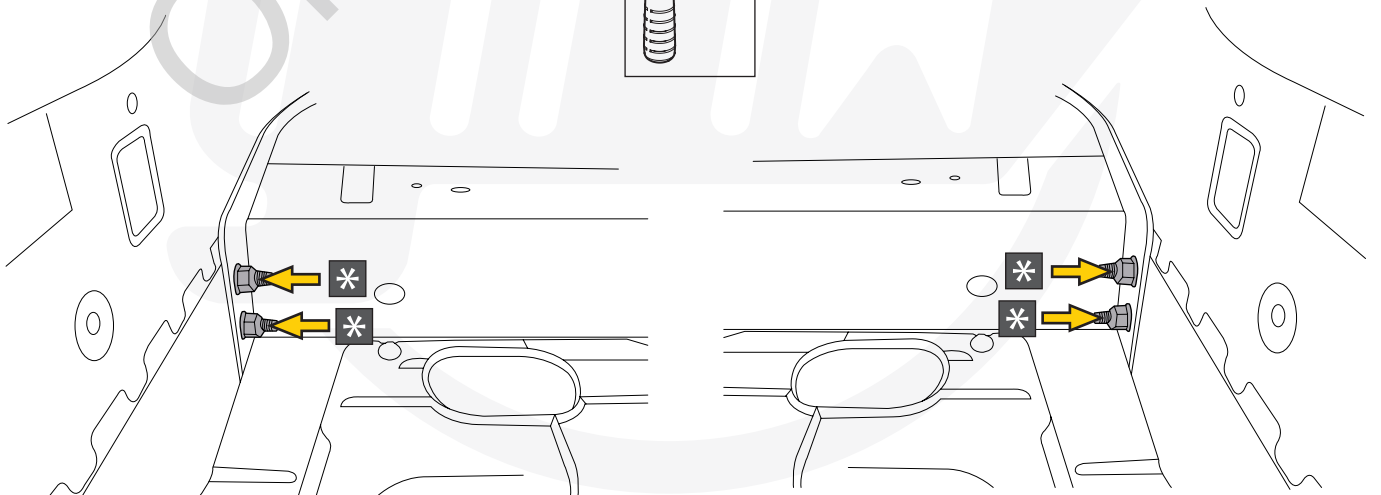


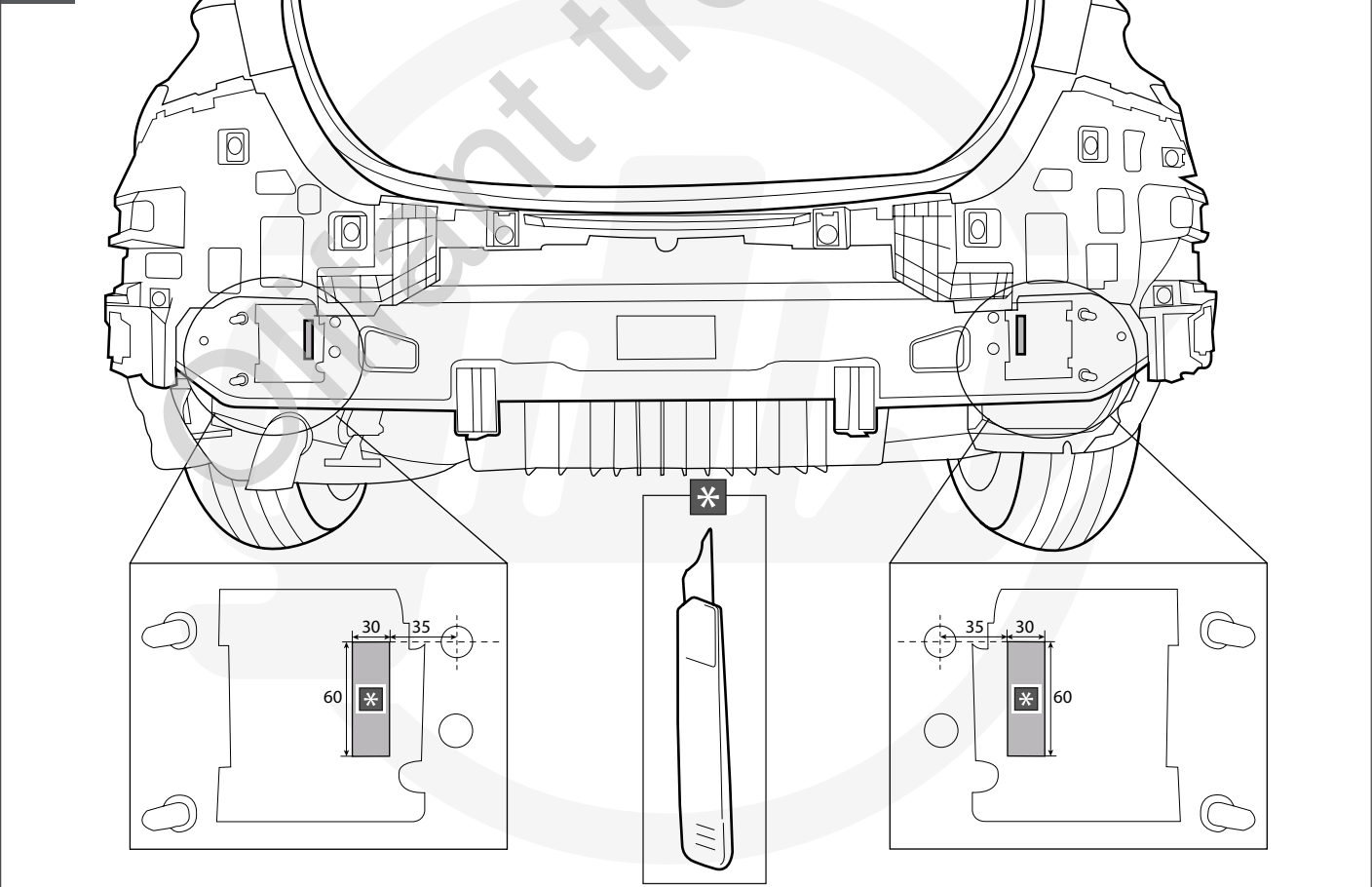
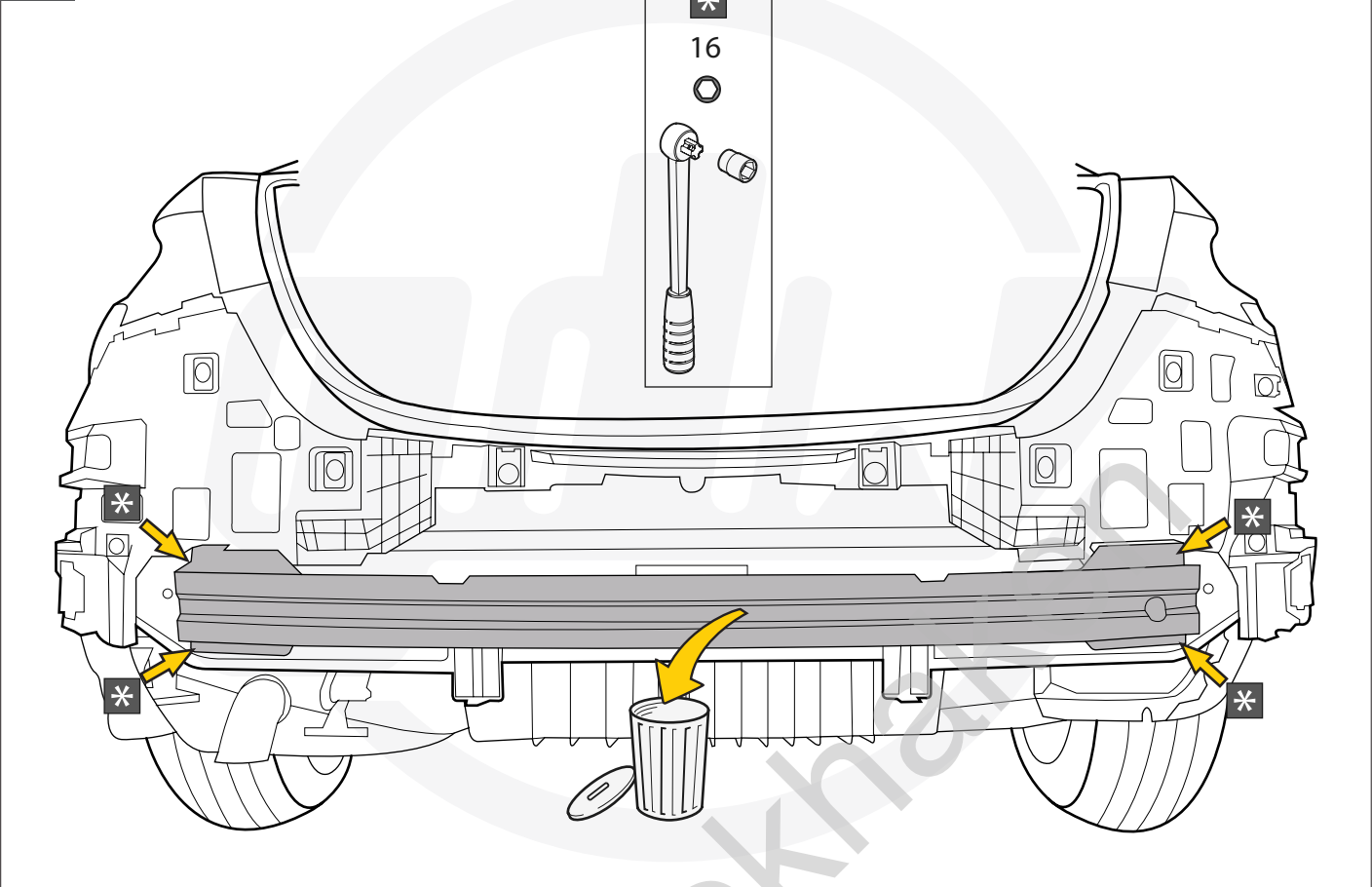


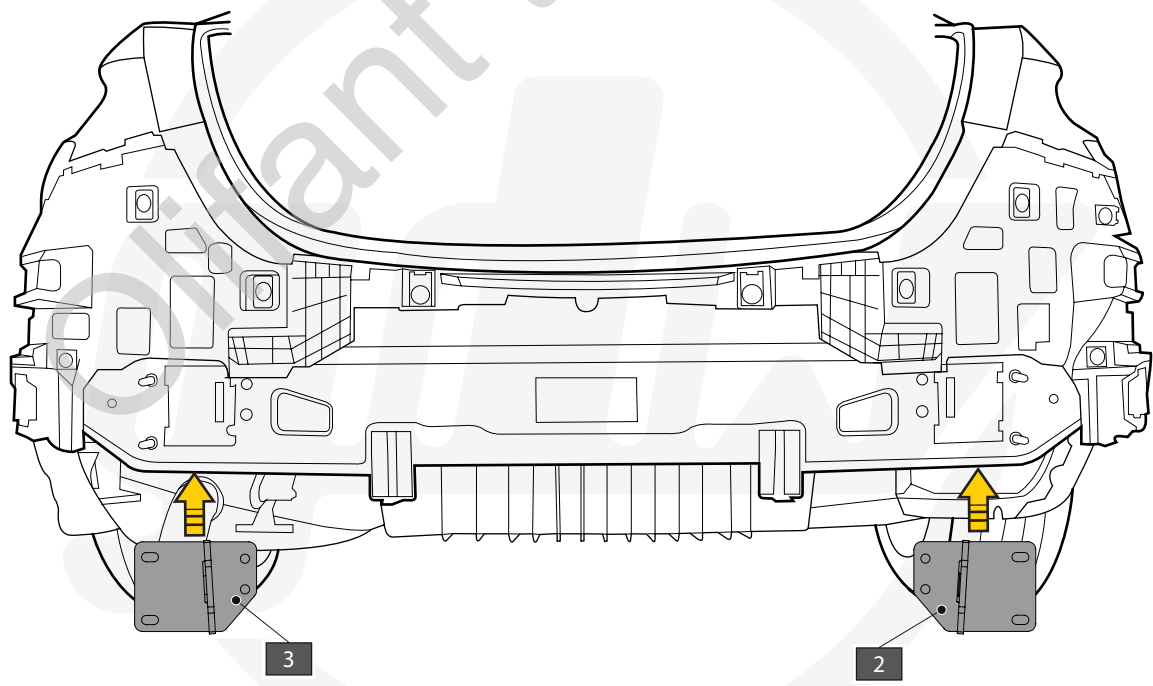
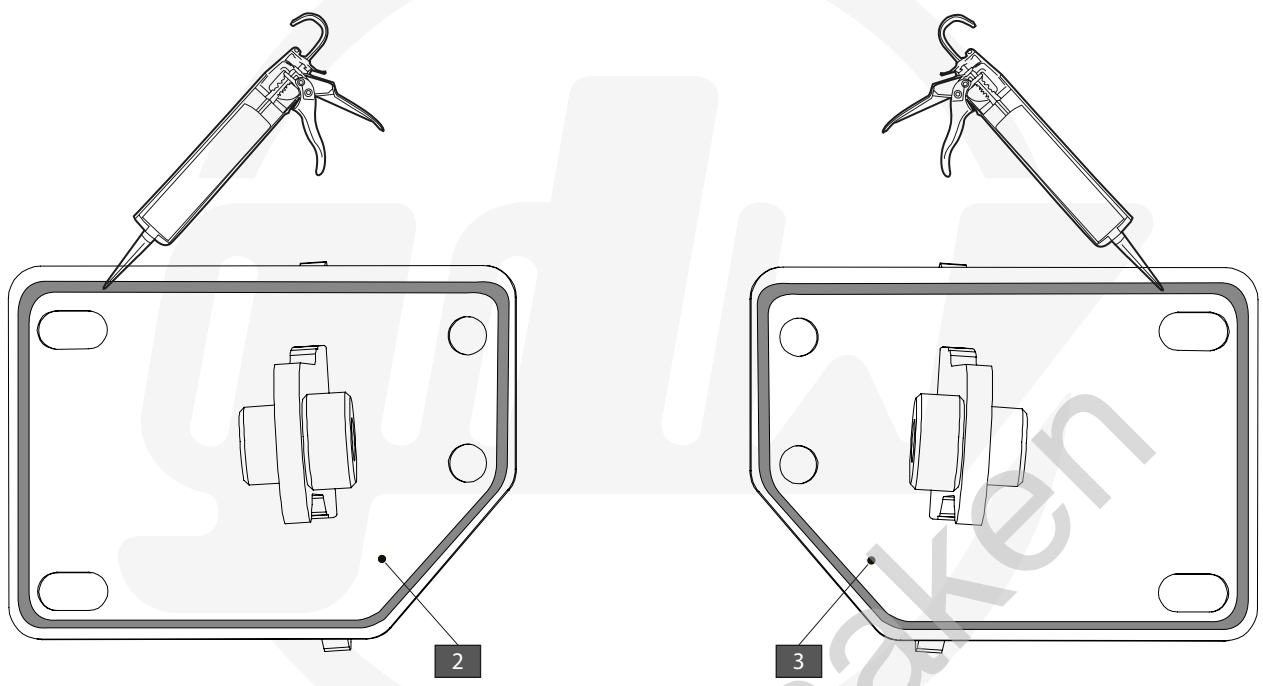
S206



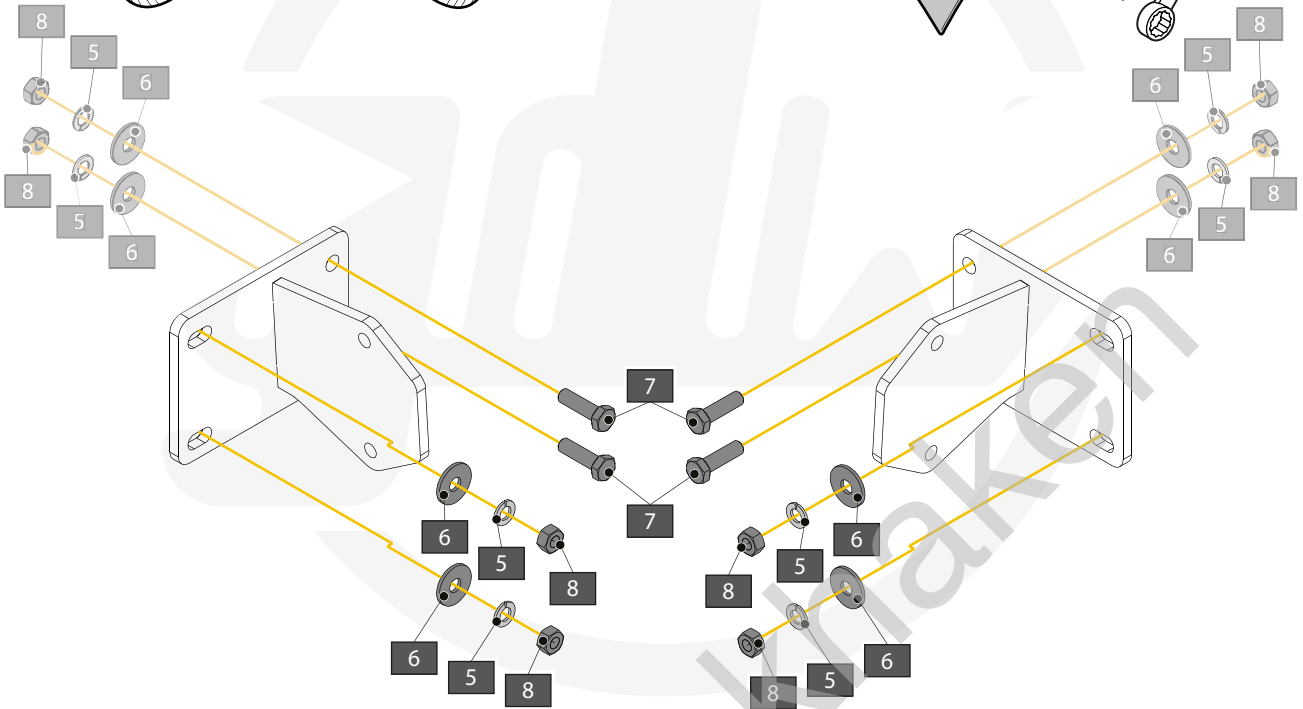
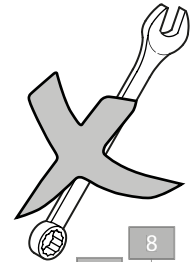
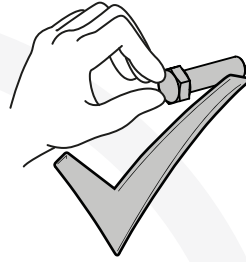
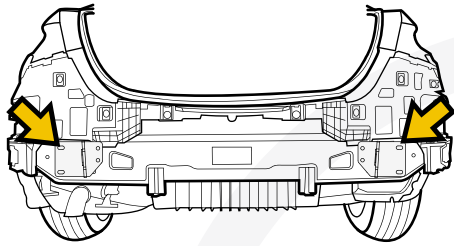
W206



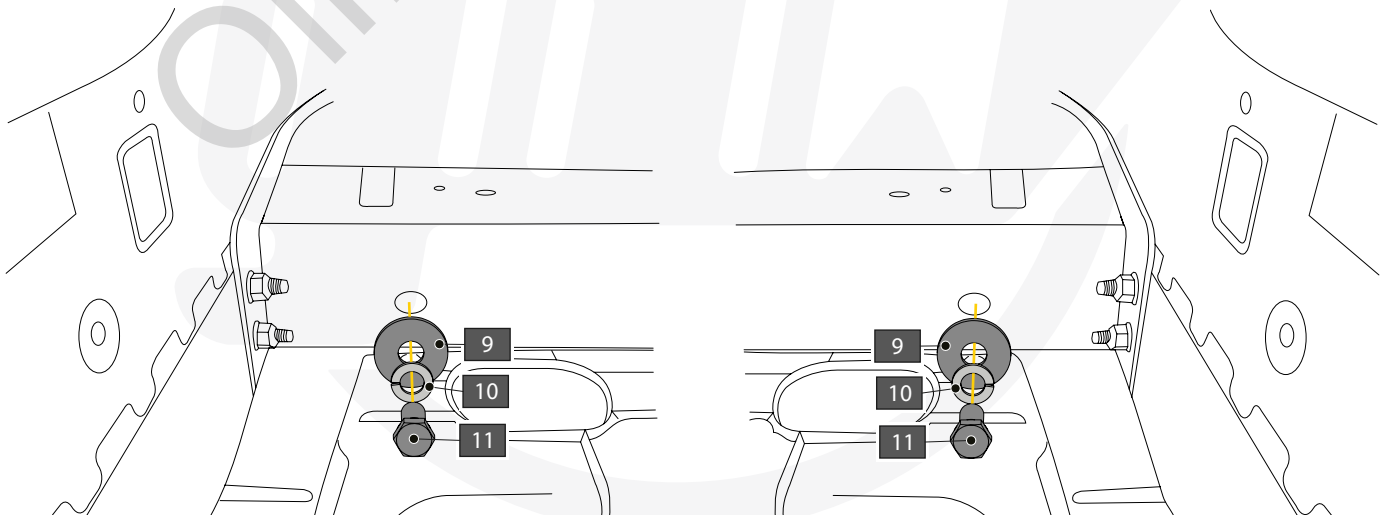
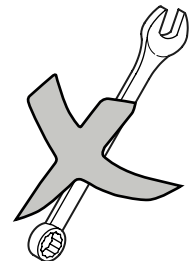
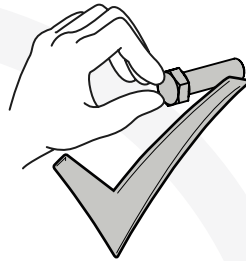
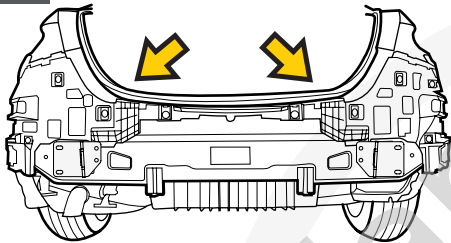


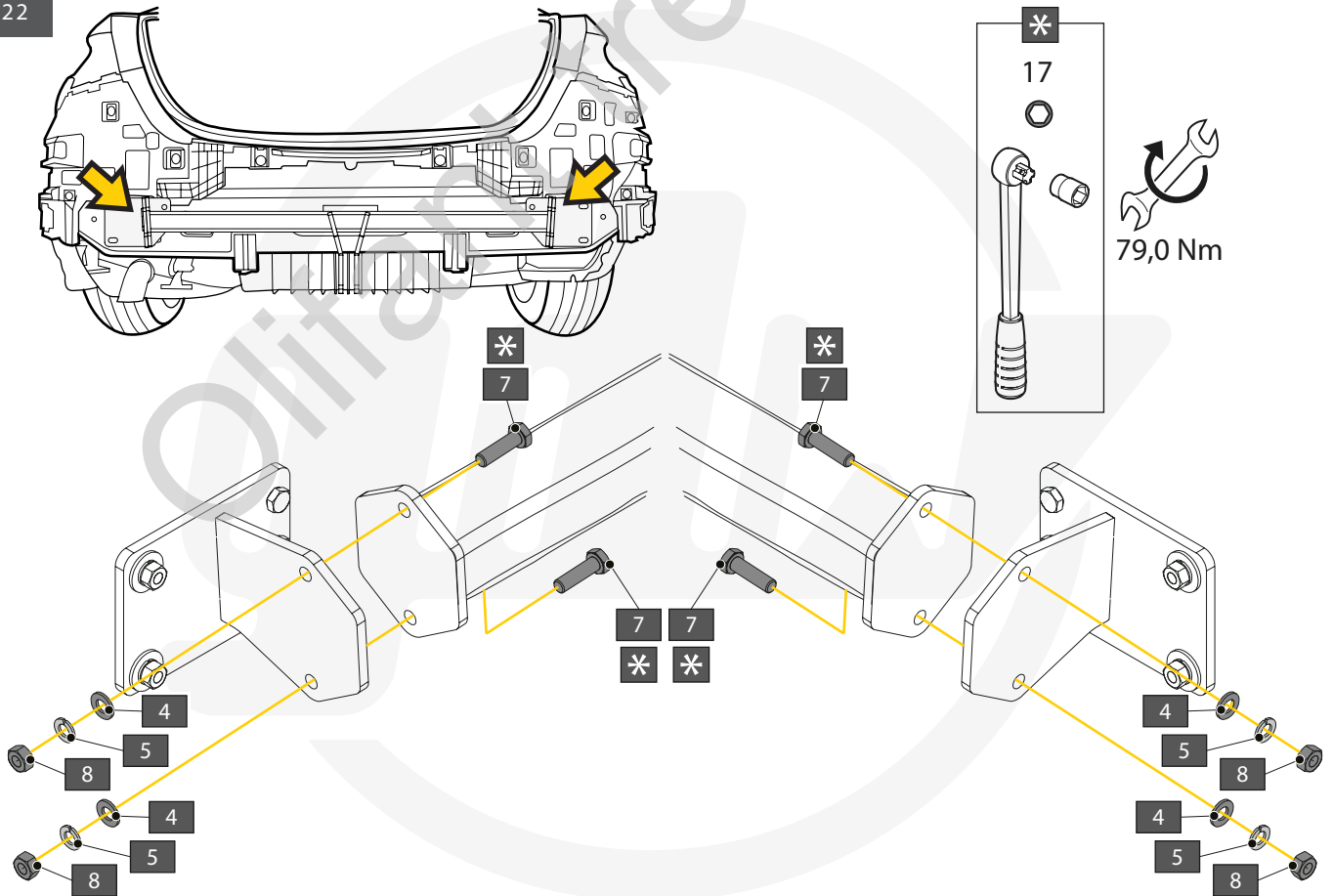
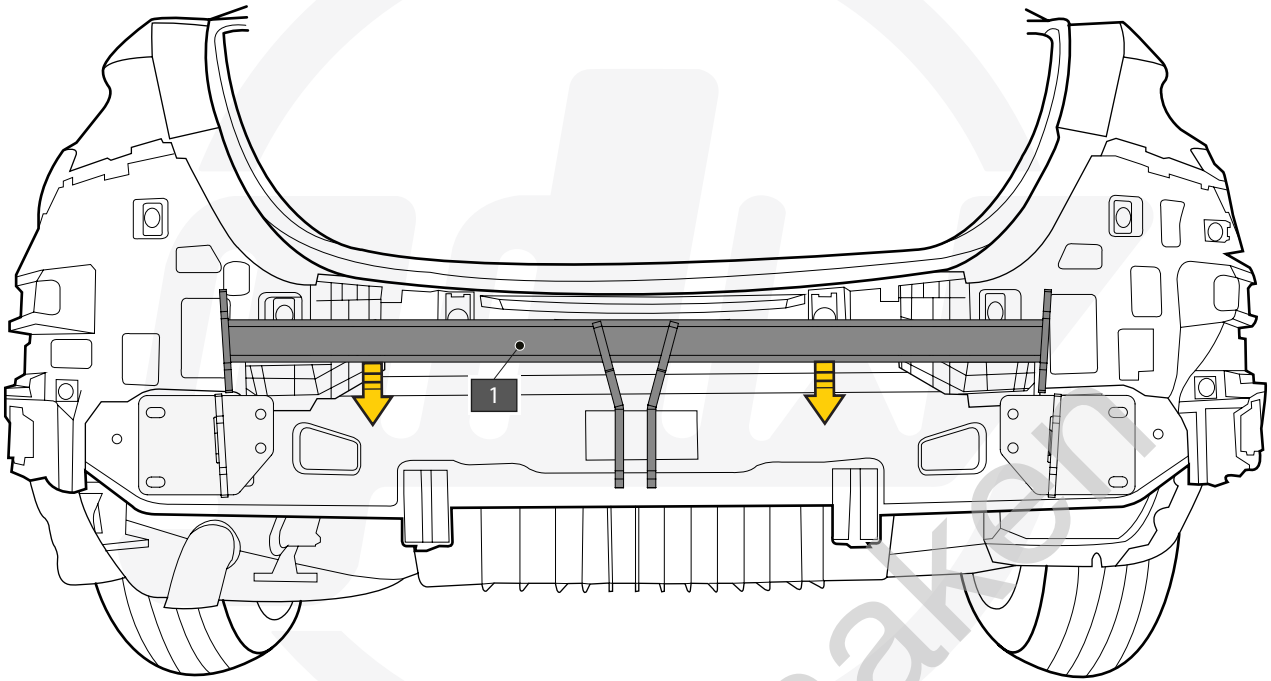


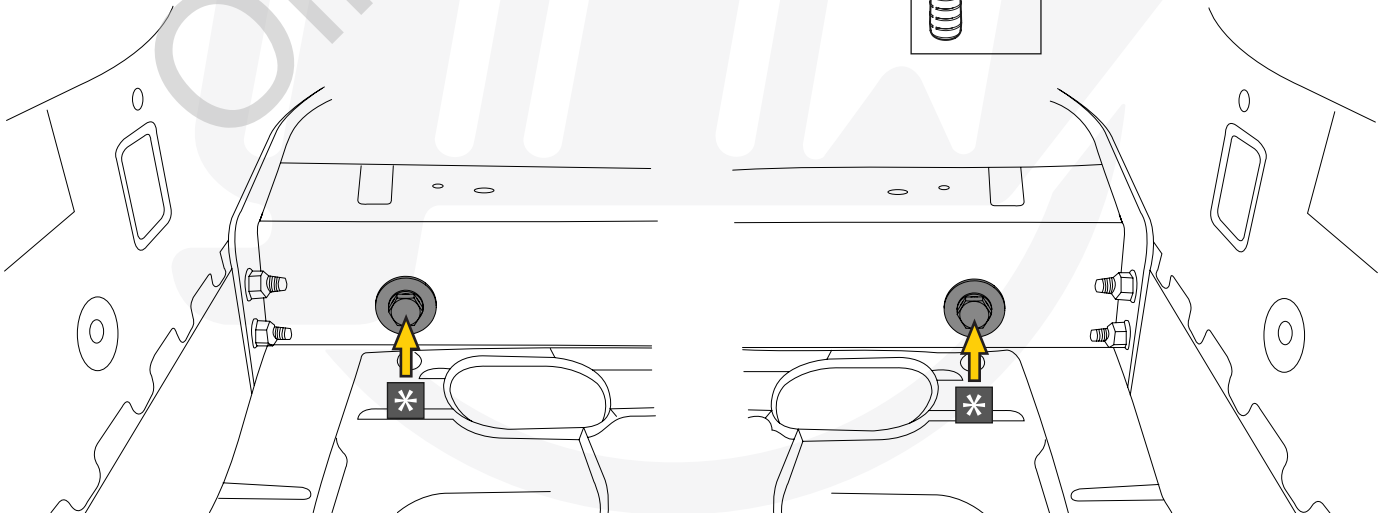
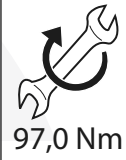
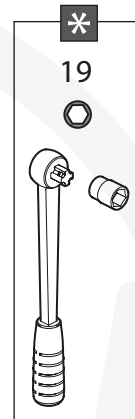
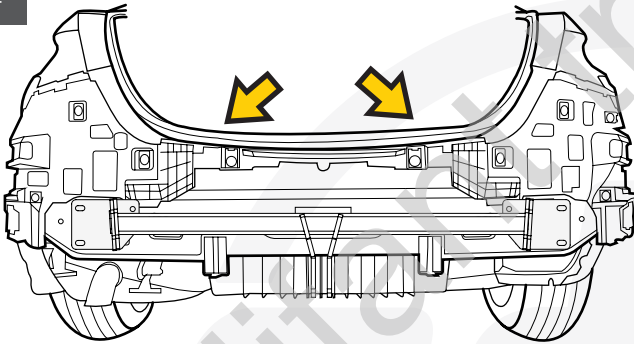
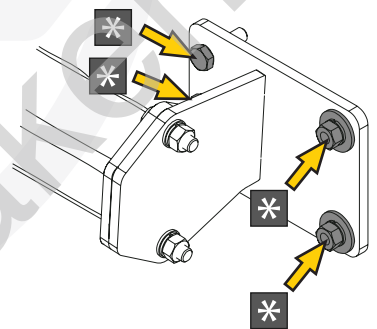
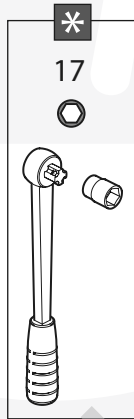
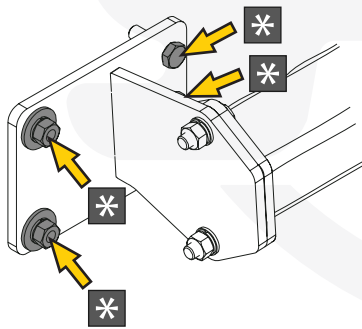
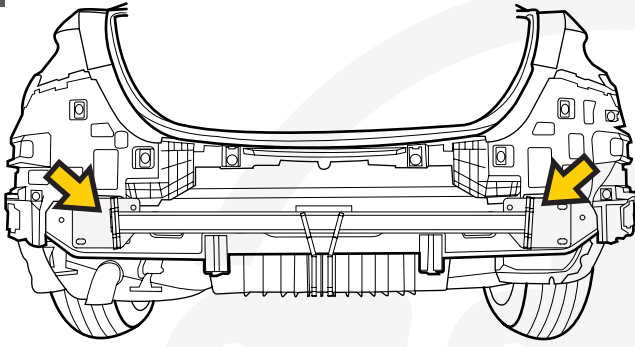
19



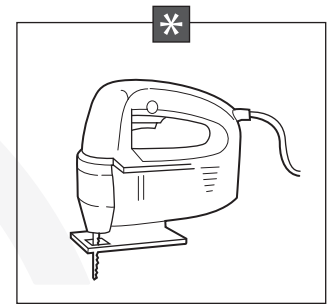
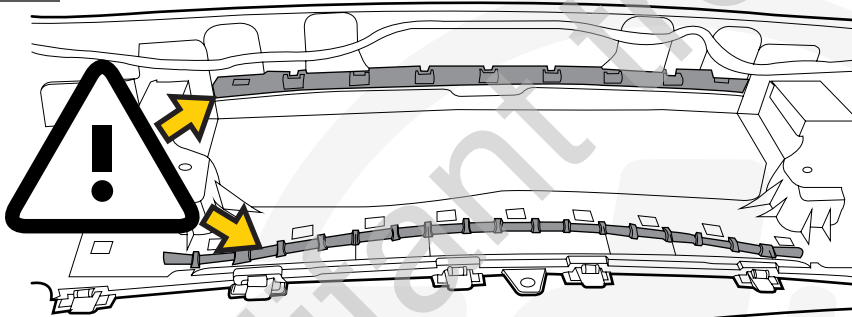
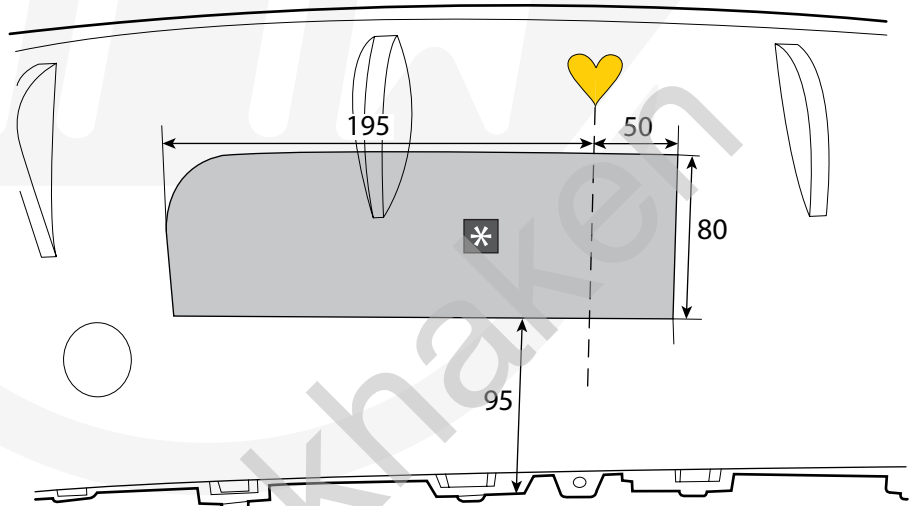
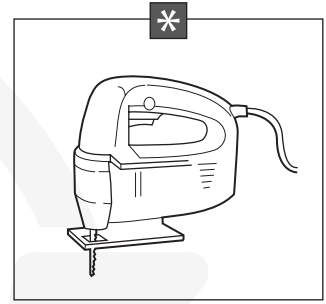
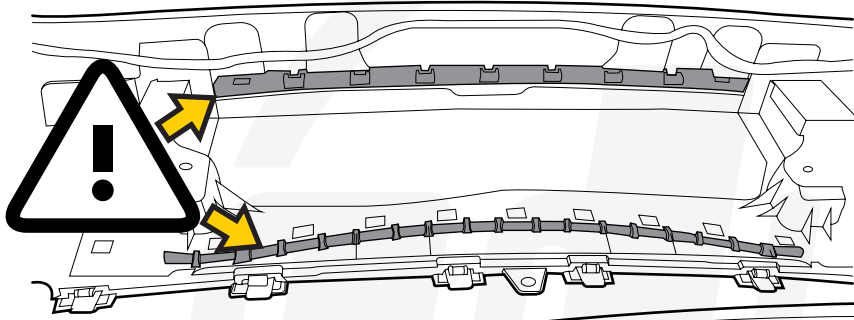
20



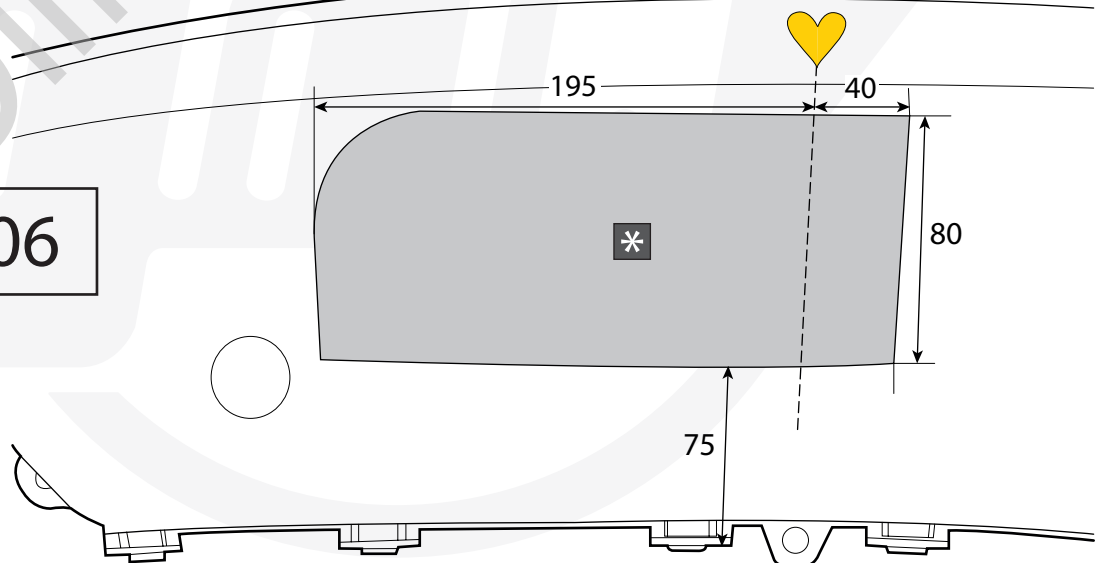


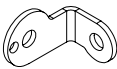




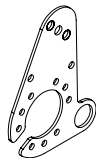



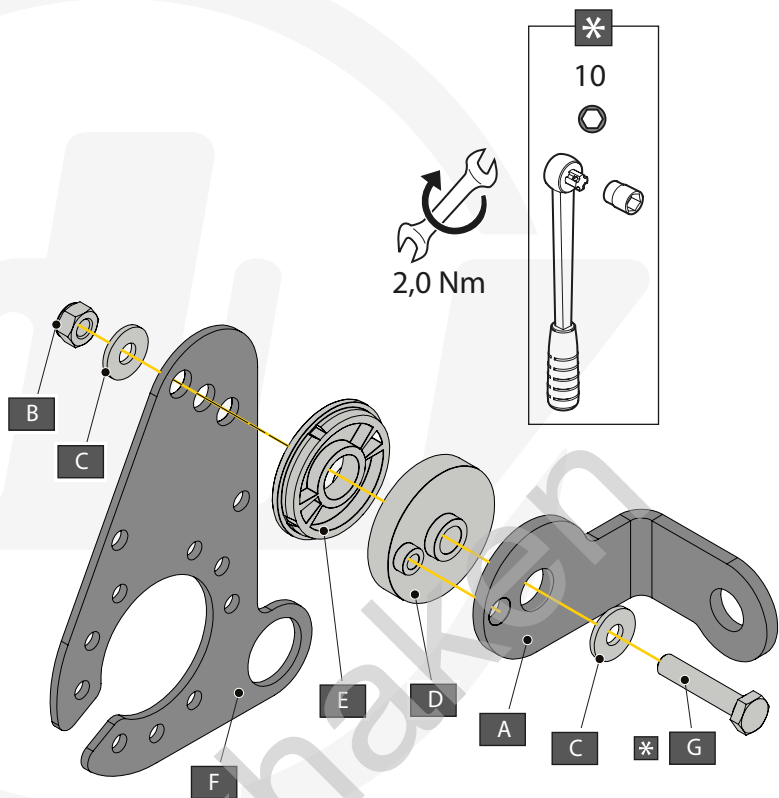
W206 AMG-LINE

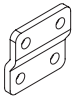

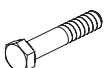
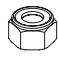



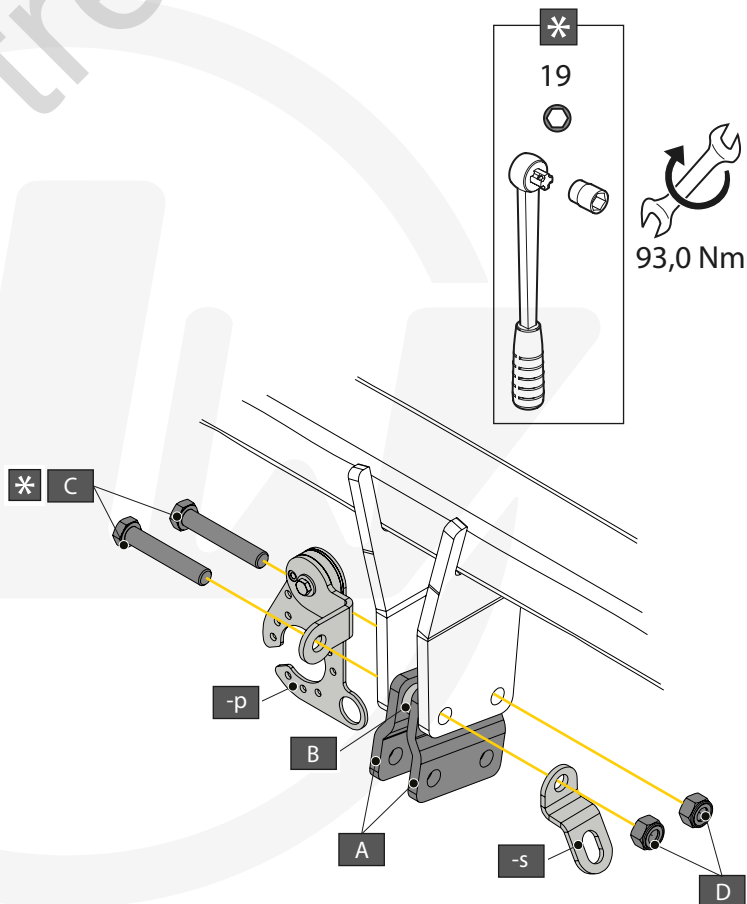
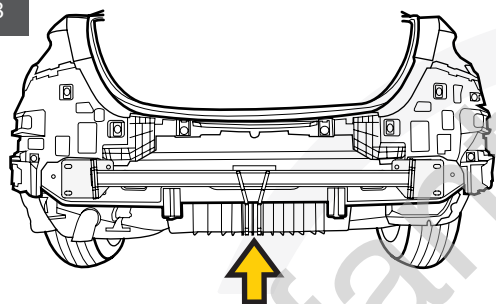
S206

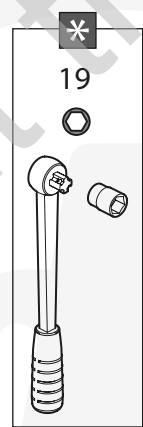
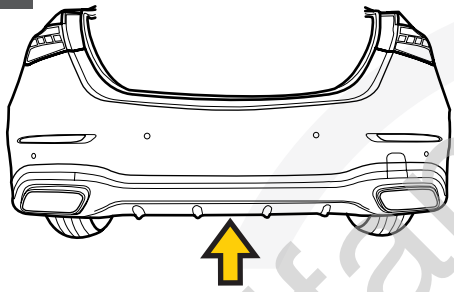
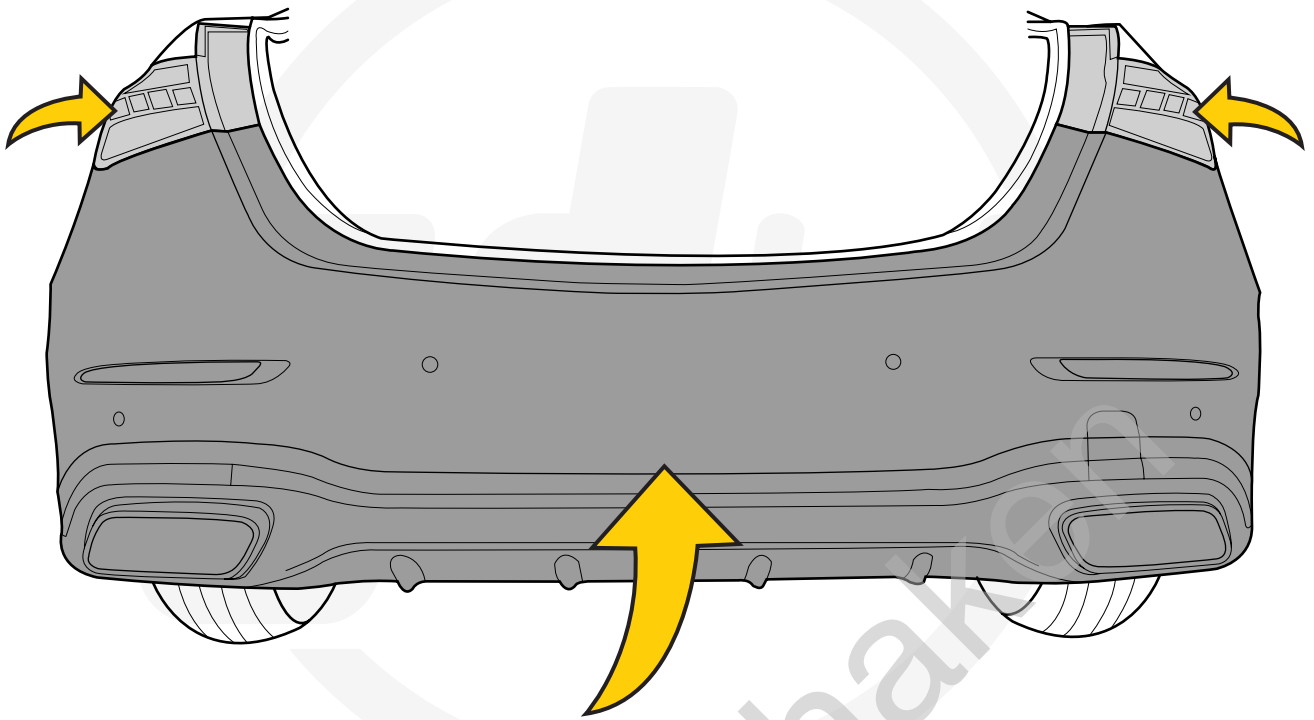


A		X1	GDW REF. 908.095
B		X1	DIN985-M6
C		X2	6,2 X 15,4 X 1,6 (NYLON)
D		X1	GDW REF. 718.16.002
E		X1	GDW REF. 718.16.003
F		X1	GDW REF. 908.094
G		X1	DIN933-M6 X 30

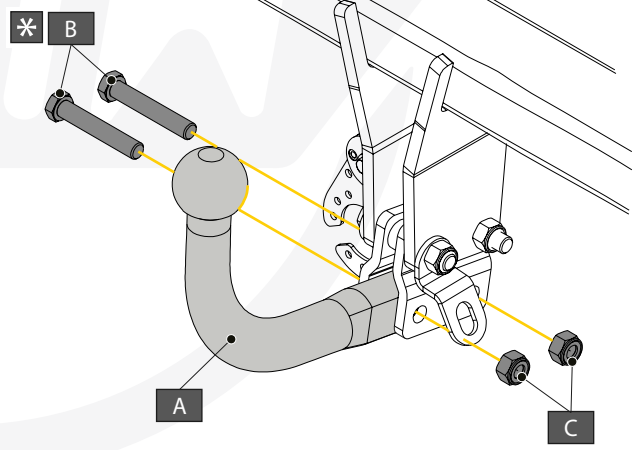


A		X2	GDW REF. 900.008
B		X2	GDW REF. 900.011 Ø 21,3 X 11,7
C		X2	DIN931-M12 X 70
D		X2	DIN985-M12
-S		X1	GDW REF. 900.053

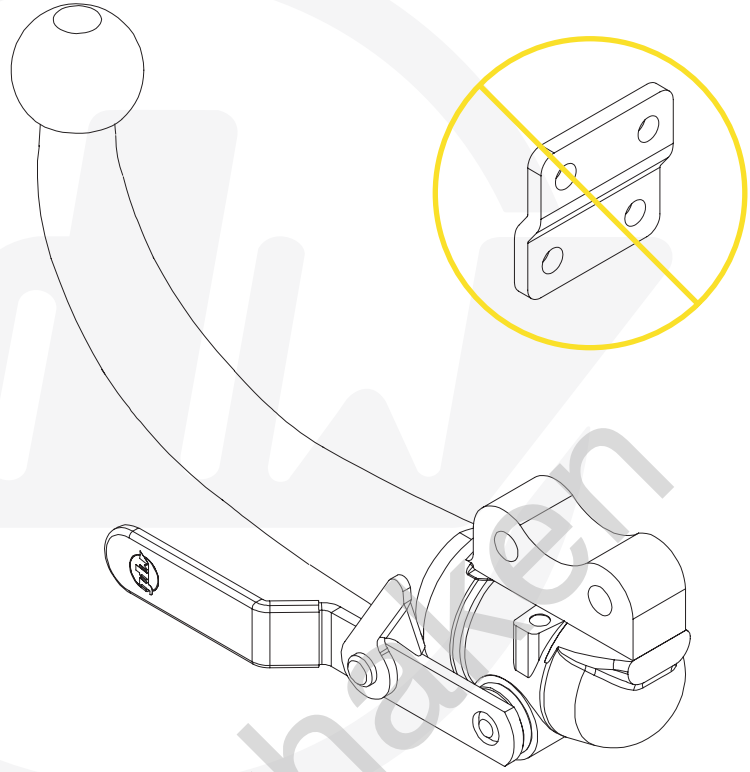




93,0 Nm



- | | | | |
|---|--|----|-----------------|
| A | | X1 | 944.H035 |
| B | | X2 | DIN931-M12 X 70 |
| C | | X2 | DIN985-M12 |



OPTION T36



X1

KITT36-2615

Olifant trekhjulet